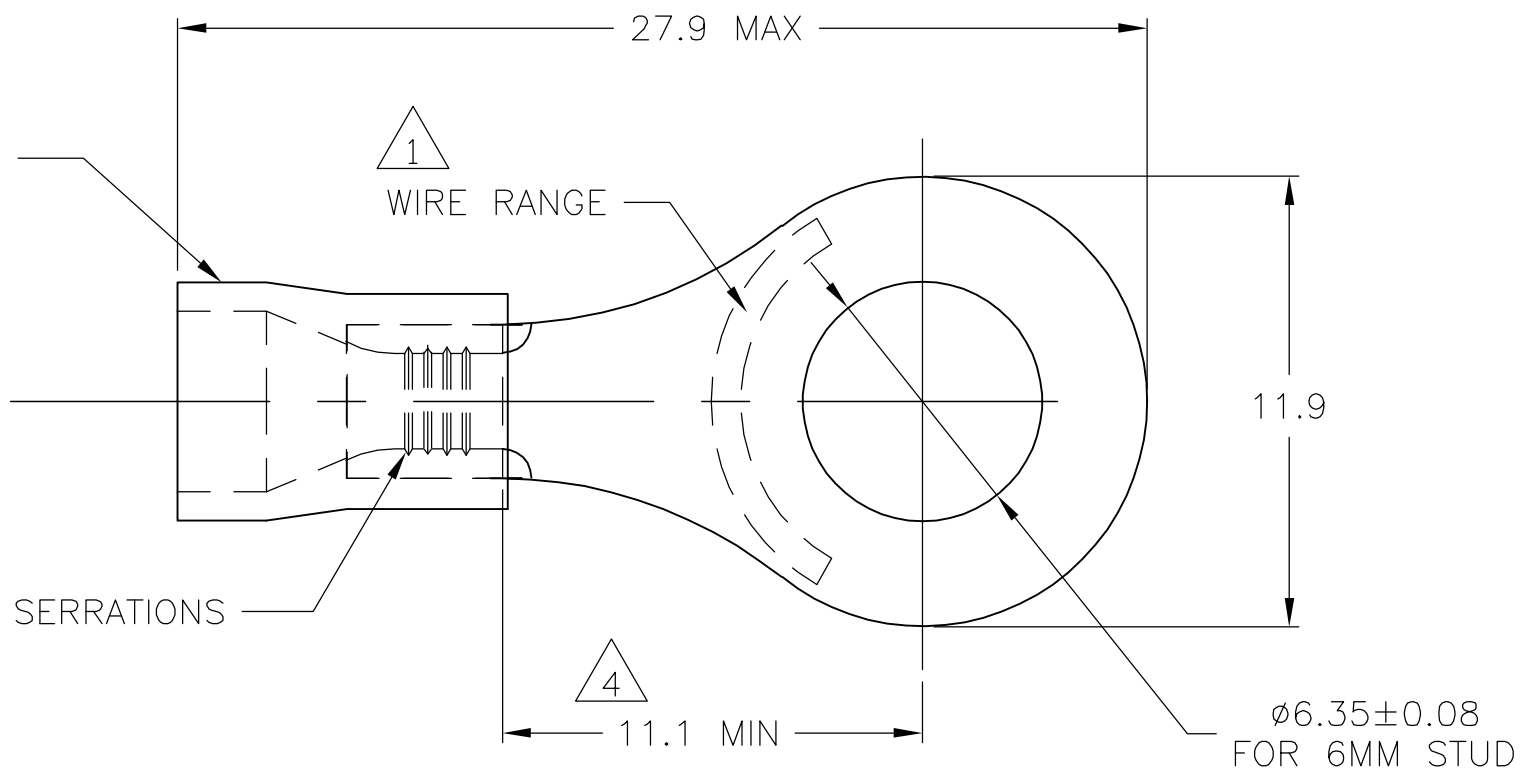


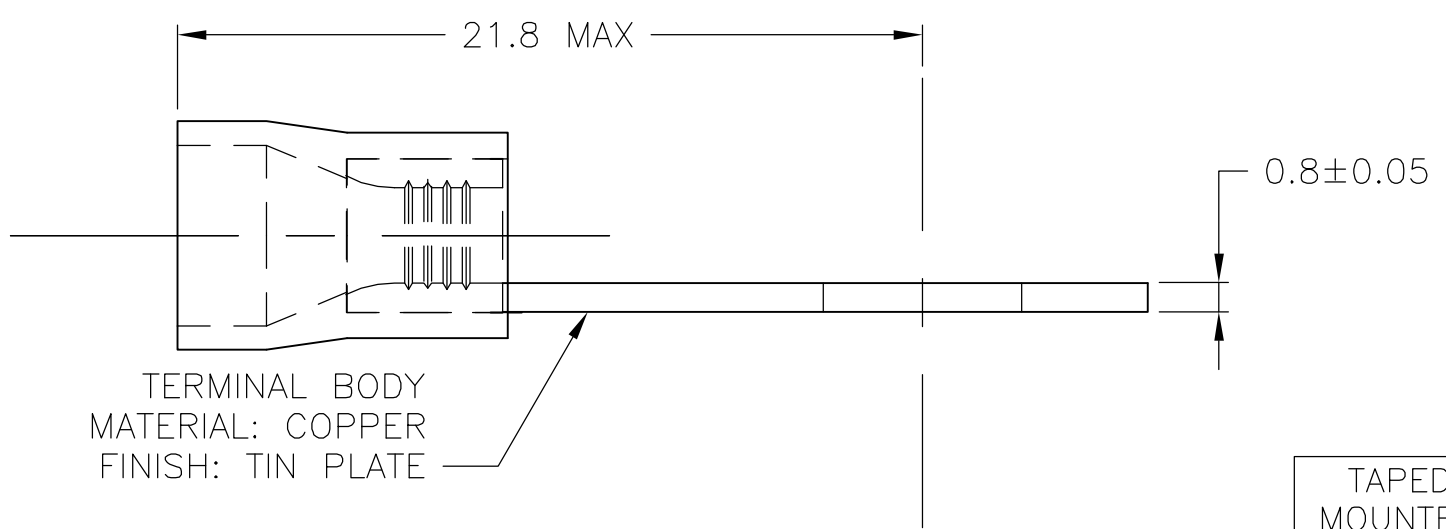
THIS DRAWING IS UNPUBLISHED. RELEASED FOR PUBLICATION
 © COPYRIGHT BY TYCO ELECTRONICS CORPORATION. ALL RIGHTS RESERVED.

LOC	DIST	REVISIONS					
G	02	P	LTR	DESCRIPTION	DATE	DWN	APVD
		E		REV PER ECR 05-009599	06DEC05	JR	TM

INSULATION SLEEVE
 MATERIAL: PVC
 COLOR: BLUE



- 1 WIRE SIZE IS 16-14 AWG
- 2 WIRE INSULATION DIA: 3.0-4.9
- 3 MATERIAL THICKNESS IS 0.80±0.05
- 4 DIMENSION APPLIES FROM EDGE OF METAL WIRE BARREL TO CENTER OF STUD HOLE.
- 5 600 VOLT MAX
- 6 CIRCULAR MIL AREA
2,050-5,180 (1.04mm²-2.62mm²)



TAPED MOUNTED	STANDARD	4000	2-130126-1
PLASTIC BAG	STANDARD	1000	130126
PACKAGING	LABELLING	QTY	PART NO

THIS DRAWING IS A CONTROLLED DOCUMENT.		DWN jr_ruth 06DEC05	Tyco Electronics Corporation Harrisburg, PA 17105-3608												
DIMENSIONS: mm		CHK T MICHIELUTTI 06DEC05	NAME TERMINAL, RING TONGUE, PLASTI-GRIP,												
TOLERANCES UNLESS OTHERWISE SPECIFIED:		APVD T MICHIELUTTI 06DEC05	PRODUCT SPEC												
<table border="0"> <tr><td>0 PLC</td><td>± -</td></tr> <tr><td>1 PLC</td><td>± 0.5</td></tr> <tr><td>2 PLC</td><td>± -</td></tr> <tr><td>3 PLC</td><td>± -</td></tr> <tr><td>4 PLC</td><td>± -</td></tr> <tr><td>ANGLES</td><td>± 1°</td></tr> </table>		0 PLC	± -	1 PLC	± 0.5	2 PLC	± -	3 PLC	± -	4 PLC	± -	ANGLES	± 1°	APPLICATION SPEC	
0 PLC	± -														
1 PLC	± 0.5														
2 PLC	± -														
3 PLC	± -														
4 PLC	± -														
ANGLES	± 1°														
MATERIAL	FINISH	WEIGHT	SIZE A3	CAGE CODE 00779											
-	-	-	DRAWING NO C-130126	RESTRICTED TO											
CUSTOMER DRAWING			SCALE 5:1	SHEET 1 OF 1											
			REV E												