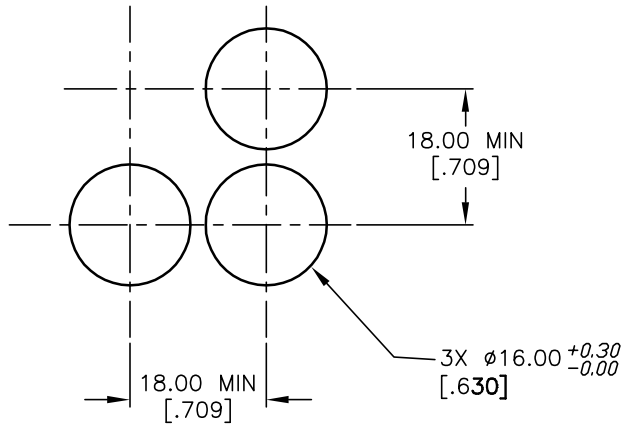
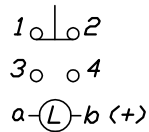


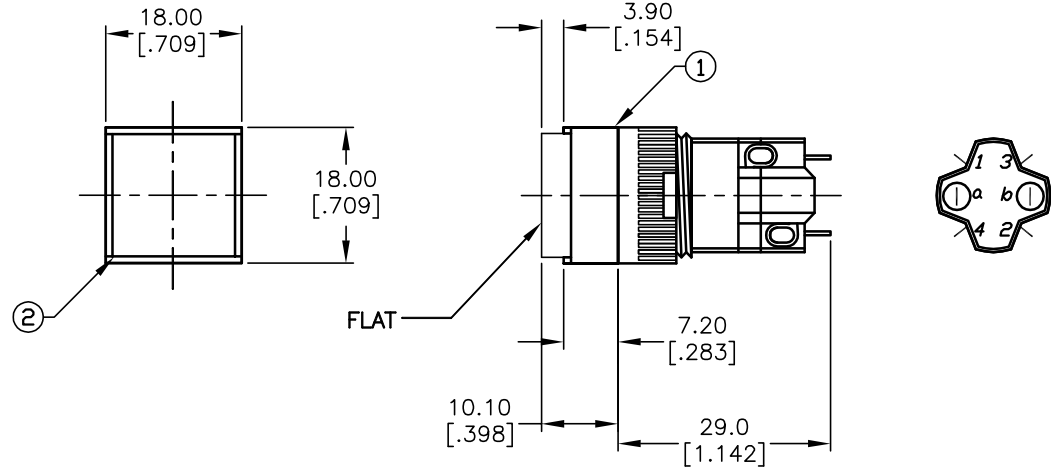
PARTS LIST			
ITEM	QTY.	PART NO.	PART DESCRIPTION
1	1	F040008	D16 OA S11
2	1	F052311	50-003-11 0 (BLUE LENS)



RECOMMENDED
PANEL MOUNTING



CONTACT CONFIGURATION



NOTES:

1. ALL DIMENSIONS IN MM [INCH]
2. GENERAL TOLERANCE: X.X=±0.4
X.XX=±0.25
3. TERM. NOS. FOR REFERENCE ONLY.
4. RATINGS: 5A/250 V AC; 8A/125V AC
5. TRAVEL: 3.0MM
6. MECHANICAL LIFETIME: > 2 MILLION OPERATIONS

E-SWITCH®

A	13766	RELEASED FOR PRODUCTION	2/13/04	AR
REV.	ECN No.	DESCRIPTION	DATE	CHKD

TITLE				
D16□AS11□BLU				
SCALE	DATE	DR	DWG	REV
1.5:1	2/13/04	AR	XF0582P	A

THE INFORMATION CONTAINED IN THIS DOCUMENT IS PROPRIETARY TO E-SWITCH AND IS NOT TO BE COPIED OR TRANSFERRED