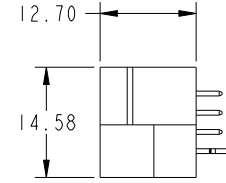
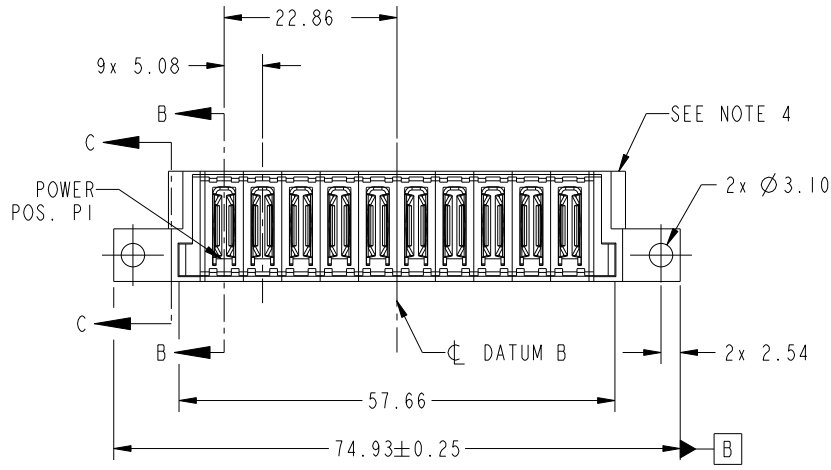
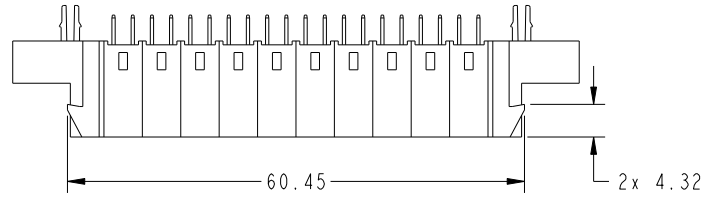
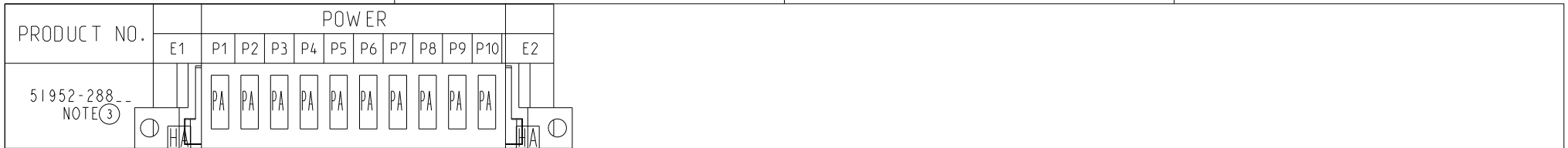




Copyright FCI.



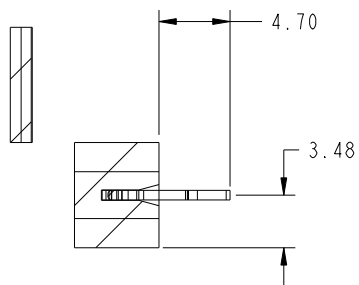
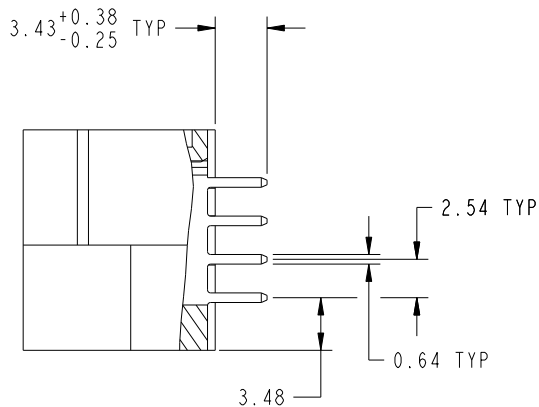
CODE	DIM "M" MATING LENGTH	CONTACT TYPE
PA	[N/A]	POWER
HA	[N/A]	HOLD-DOWN

spec ref	See Notes	dr	De-Ming Lu	2014/08/03	projection 	MM ←→	size	A4	scale	1:1
tolerance std	TOLERANCES UNLESS OTHERWISE SPECIFIED	eng	De-Ming Lu	2014/08/20			ecn no	-		
See Notes		chr	-	-			rel level	Released		
surface	linear	0.X	±0.50	 www.fci.com	title IODCP VERTICAL SOLDER HEADER cat. no.	&model_name Product - Customer Drw	dwg no 51952-288	rev A	sheet 1 of 4	
		0.XX	±0.25							
		0.XXX	±0.10							
	angular	0°	±2°							

ProjE File - REV C - 2009-06-09

PRODUCT NUMBER

51952-288__
NOTE 3



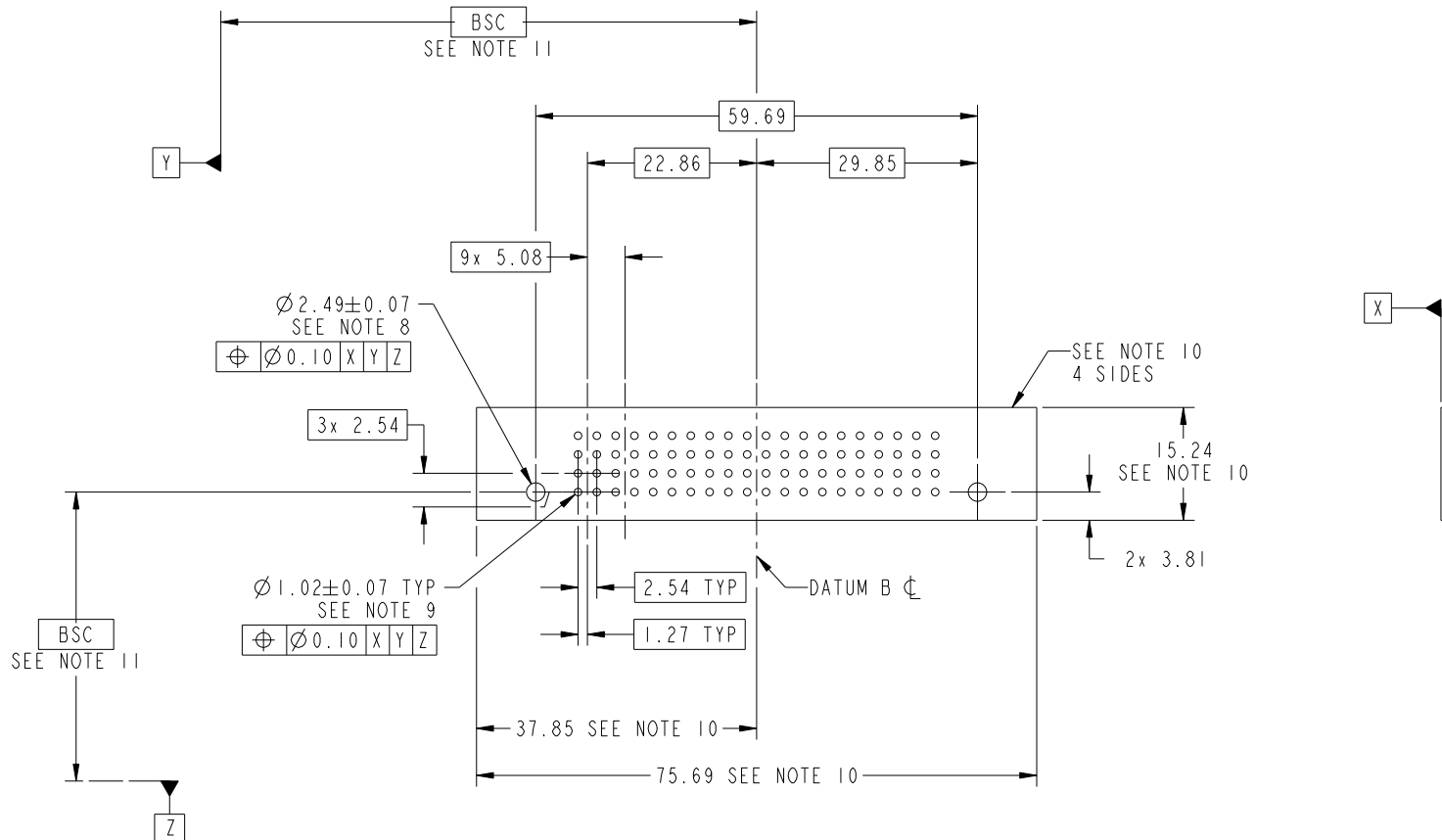
dr	De-Ming Lu	2014/08/03	projection 	MM ←→	size	A4	scale	1:1	
eng	De-Ming Lu	2014/08/20			ecn no	-			
chr	-	-			product family	PwrBlade	rel level	Released	
appr	Pei-Ming Zheng	2014/08/20			title	I0DCP VERTICAL SOLDER HEADER		dwg no 51952-288	rev A
www.fci.com		cat. no.	&model_name	Product - Customer Drw			sheet 2 of 4		



Copyright FCI.

PRODUCT NUMBER

51952-288__
NOTE 3



RECOMMENDED PCB LAYOUT

dr	De-Ming Lu	2014/08/03	projection 	MM ←→	size	A4	scale	1:1	
eng	De-Ming Lu	2014/08/20			ecn no	-			
chr	-	-			rel level	Released			
appr	Pei-Ming Zheng	2014/08/20	product family	PwrBlade					
		title	I0DCP VERTICAL SOLDER HEADER		dwg no	51952-288		rev	A
www.fci.com	cat. no.	&model_name	Product - Customer Drw			sheet 3 of 4			

PRODUCT NUMBER

51952-288__
NOTE 3

NOTES:

1. DIMENSIONS AND TOLERANCES ARE IN ACCORDANCE WITH ASME Y14.5M, 1994 UNLESS OTHERWISE SPECIFIED.

CONNECTOR NOTES:

- 2 HOUSING MATERIAL: UL 94 V-0 GLASS FILLED HIGH-TEMP THERMOPLASTIC
POWER CONTACT MATERIAL: COPPER ALLOY
SIGNAL PIN MATERIAL: COPPER ALLOY
- 3. SEE ITEM 1 & 2 IN PRINT 10064183 FOR PLATING SPEC OF 51952-288 AND 51952-288LF RESPECTIVELY.
- 4 MANUFACTURER'S NAME, DATE CODE AND OPTIONAL P/N TO APPEAR ON THIS SURFACE. THE MARK CAN BE OMITTED IF THERE IS NOT ENOUGH SPACE ON THIS SURFACE.
- 5. PRODUCT SPECIFICATION GS-12-149.
APPLICATION SPECIFICATION BUS-20-067.

6. PACKAGED IN TRAYS.

PCB NOTES:

- 7. ALL HOLE DIAMETERS ARE FINISHED HOLE SIZE.
- 8. MOUNTING HOLES, WHERE APPLICABLE, ARE UNPLATED.

9 $\varnothing 1.151 \pm 0.025$ DRILLED HOLES PLATED WITH 0.008 MIN SnPb OR Sn OVER .001 [0.03] TO 0.08 Cu PLATING TO ACHIEVE $\varnothing 1.02 \pm 0.07$ HOLE.

10 CONNECTOR KEEP-OUT ZONE.

11. DATUM AND BASIC DIMENSIONS ARE ESTABLISHED BY CUSTOMER.

dr	De-Ming Lu	2014/08/03	projection 	MM 	size	A4	scale	1:1
eng	De-Ming Lu	2014/08/20			ecn no	-		
chr	-	-			product family	PwrBlade	rel level	Released
appr	Pei-Ming Zheng	2014/08/20	FCj		title	I ODCP		rev
www.fci.com			cat. no.		&model_name		Product - Customer Drw	
			title		VERTICAL SOLDER HEADER		dwg no	51952-288
			cat. no.		&model_name		sheet 4 of 4	
			title		I ODCP		rev	A



Copyright FCI.