

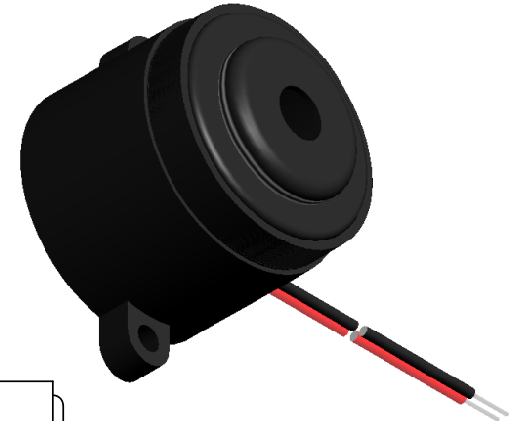
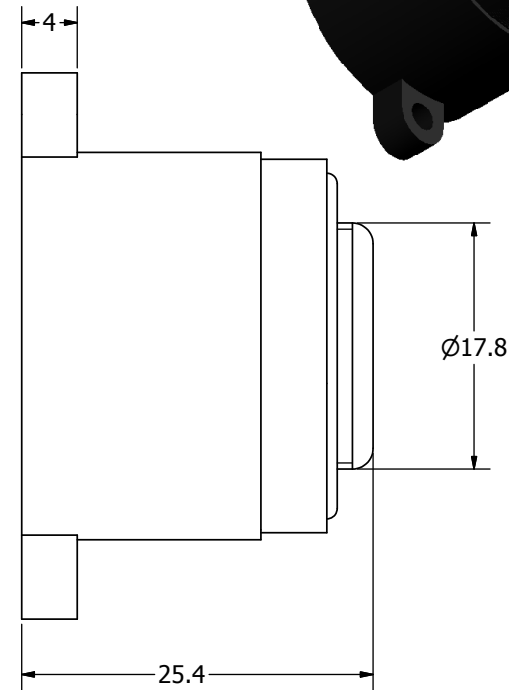
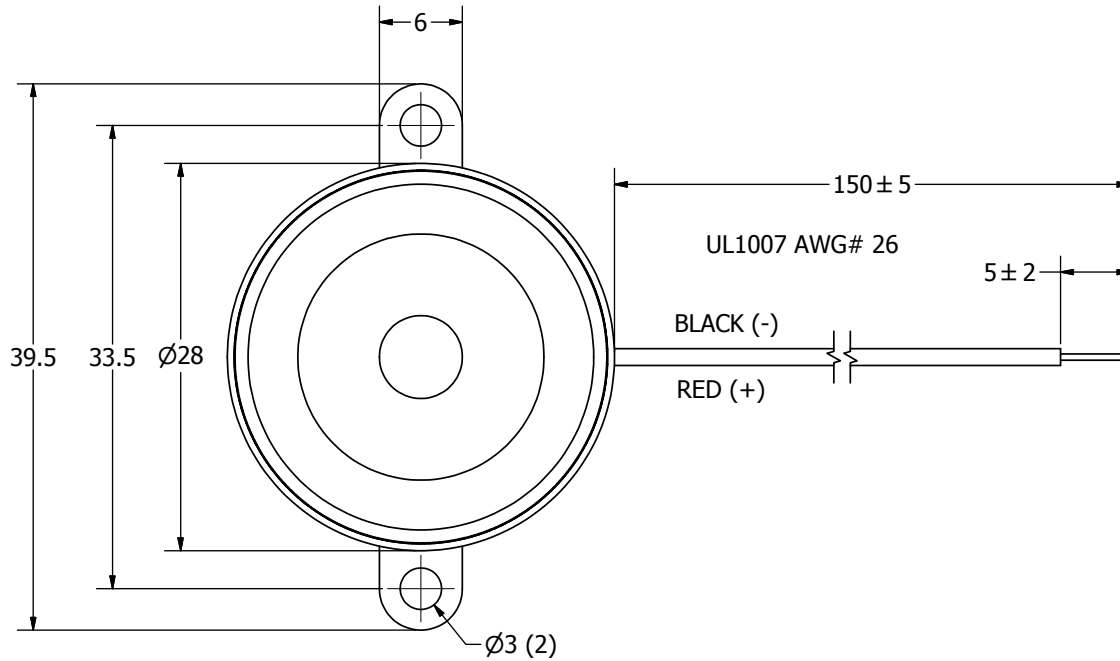
SPECIFICATIONS

| PARAMETERS | VALUES | UNITS |
|-------------------------|-------------|--------------|
| RATED VOLTAGE | 12 | Vdc |
| OPERATING VOLTAGE RANGE | 3 ~ 28 | Vdc |
| RATED CURRENT (MAX) | 6 | mA |
| MINIMUM SPL @ 10 CM | 95 | dBA |
| RESONANT FREQUENCY | 3,500 ± 500 | Hz |
| TONE OR PULSE RATE | CONTINUOUS | 0 pulse /sec |
| OPERATING TEMPERATURE | -30 ~ +85 | °C |
| STORAGE TEMPERATURE | -40 ~ +95 | °C |
| HOUSING MATERIAL | ABS | - |
| TERMINAL MATERIAL | LEAD WIRE | - |
| WEIGHT | 15 | grams |

THIS DOCUMENT CONTAINS DATA PROPRIETARY TO PROJECTS UNLIMITED, INC. ANY USE OR REPRODUCTION, IN ANY FORM, WITHOUT PRIOR WRITTEN PERMISSION OF PROJECTS UNLIMITED, INC. IS PROHIBITED.
©2003, Projects Unlimited Inc.

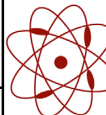
REVISION HISTORY

| LTR | DESCRIPTION | DATE | APPROVED |
|-----|--|------------|----------|
| - | RELEASED FROM ENGINEERING | 8/5/2005 | |
| A | REVISED TO INVENTOR 3-D DRAWING TEMPLATE | 10/12/2007 | B.R. |



NOTES:

1. ALL DIMENSIONS ARE IN MILLIMETERS.
2. SPECIFICATIONS SUBJECT TO CHANGE OR WITHDRAWAL WITHOUT NOTICE.
3. THIS PART IS RoHS 2002/95/EC COMPLIANT.

| UNLESS OTHERWISE SPECIFIED: DIMENSIONS ARE IN MILLIMETERS, TOLERANCES ARE ±0.5 AND ANGLES ARE ±3°. | SIZE A3 | Designed by | Date | Checked by | Date | Approved by | Date | Drawn Date |
|--|-------------------|--|----------|------------|----------|---------------------------|----------|------------|
| | | J.A.F. | 8/5/2005 | E.P. | 8/8/2005 | B.R. | 8/8/2005 | 10/12/2007 |
| XL-2835-TF-LW150-R.idw | |  pui audio a projects unlimited company | | | | XL-2835-TF-LW150-R | | |
| Indicator | | | | | | Edition | Sheet | |
| | | | | | | - | 1 / 1 | |