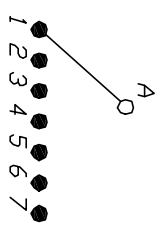
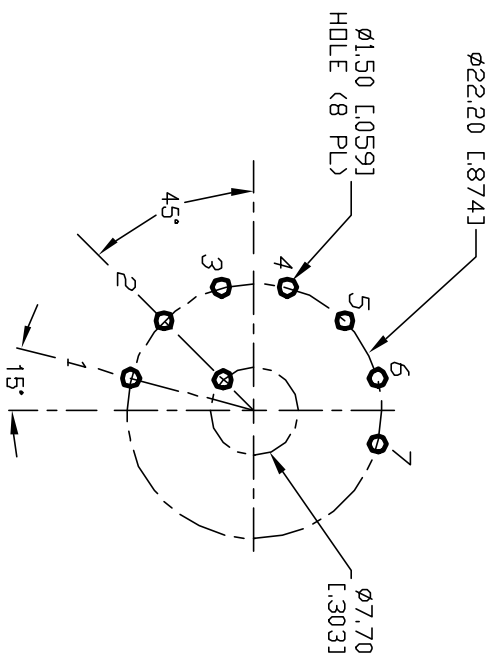


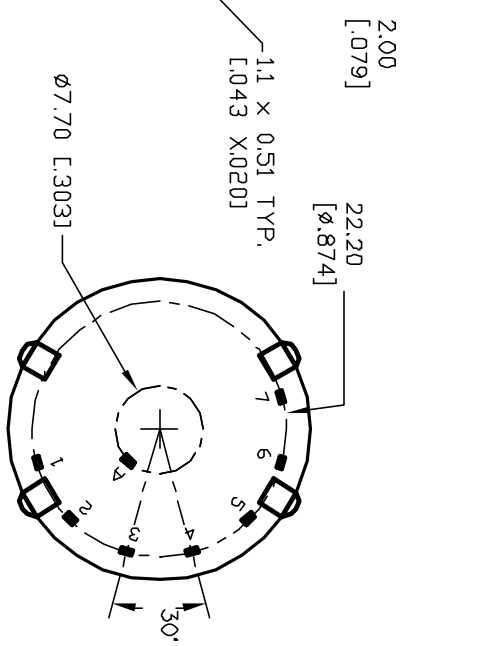
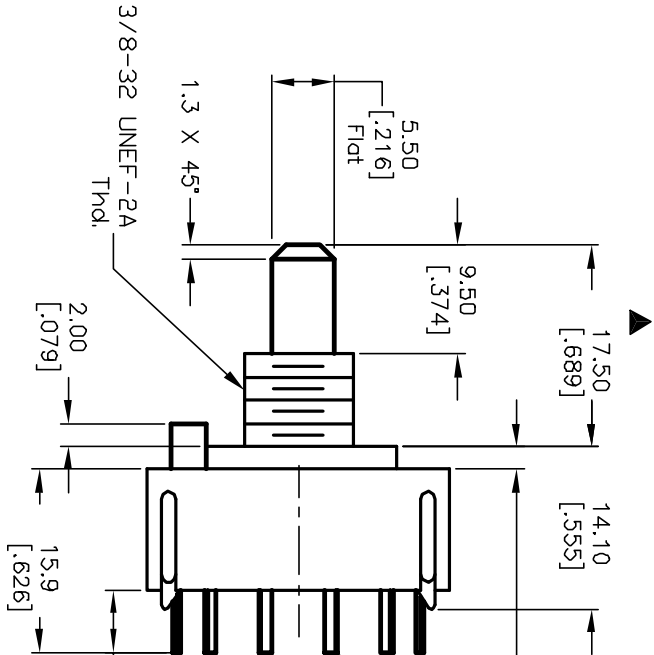
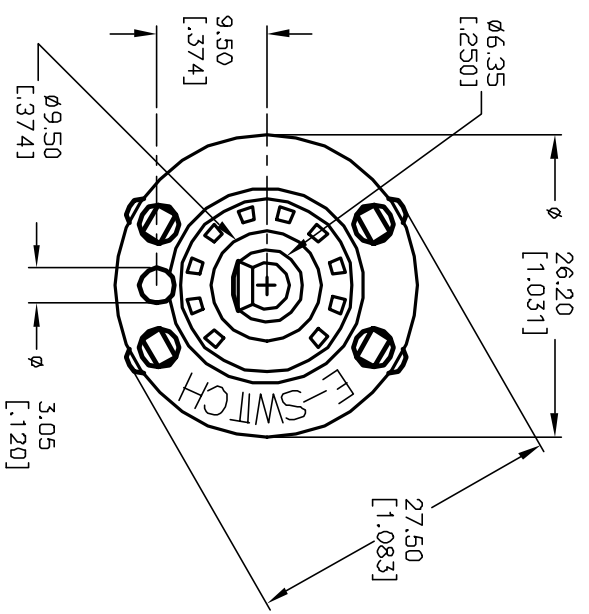
- NOTES:
1. ALL DIMENSION IN MM [INCH]
  2. GENERAL TOLERANCE: X.X=±0.4  
X.XXX=±0.25
  3. TERM. NOS. FOR REF. ONLY
  4. CONTACT RATING SWITCHING: 150mA, 250V AC/DC  
350mA, 110V AC/DC
  5. CONTACT MATERIAL: SILVER OVER COPPER ALLOY
  6. OPERATING FORCE: 425±100 CM/STANDARD
  7. OPERATING TEMP: -30° to 85°C
  8. CIRCUIT SP: 7 POSITIONS, 30° INDEX.
  9. DIELECTRIC STRENGTH: 1000V RMS min.@SEA LEVEL.
  10. DESIGNATE MAJOR DIMENSIONS
  11. SUPPLIED STOP RING, LOCK NUT AND WASHER (NOT SHOWN).



CONTACT CONFIGURATION  
Timing: Non-Shorting (BBM)



RECOMMENDED P.C.B. LAYOUT



B		12422	REV. PER NEW CATALOG	10/28/02	CJB	TITLE	KC-17-A (9.5mm)-01-N-P-S		
A		11275	RELEASED FOR PRODUCTION	3/6/01	RJC	SCALE	1.5:1	DATE	3/5/01
REV.		ECN No.	DESCRIPTION	DATE	CHKD	DR	RJC	DWG	G100001
THE INFORMATION CONTAINED IN THIS DOCUMENT IS PROPRIETARY TO E-SWITCH AND IS NOT TO BE COPIED OR TRANSFERRED						REV	B		

**E-SWITCH®**