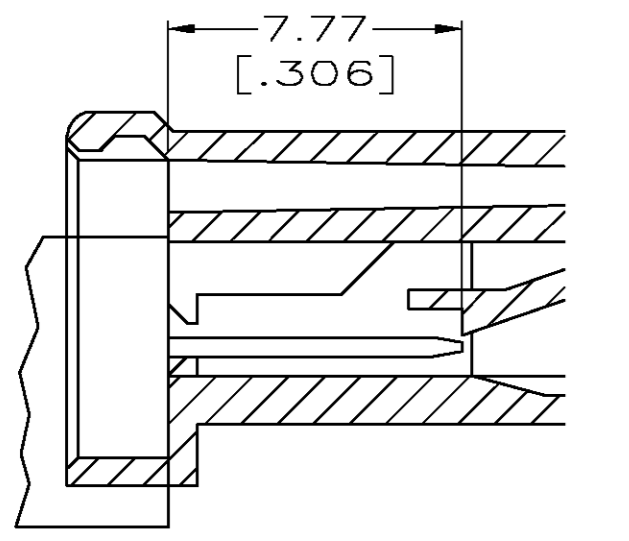
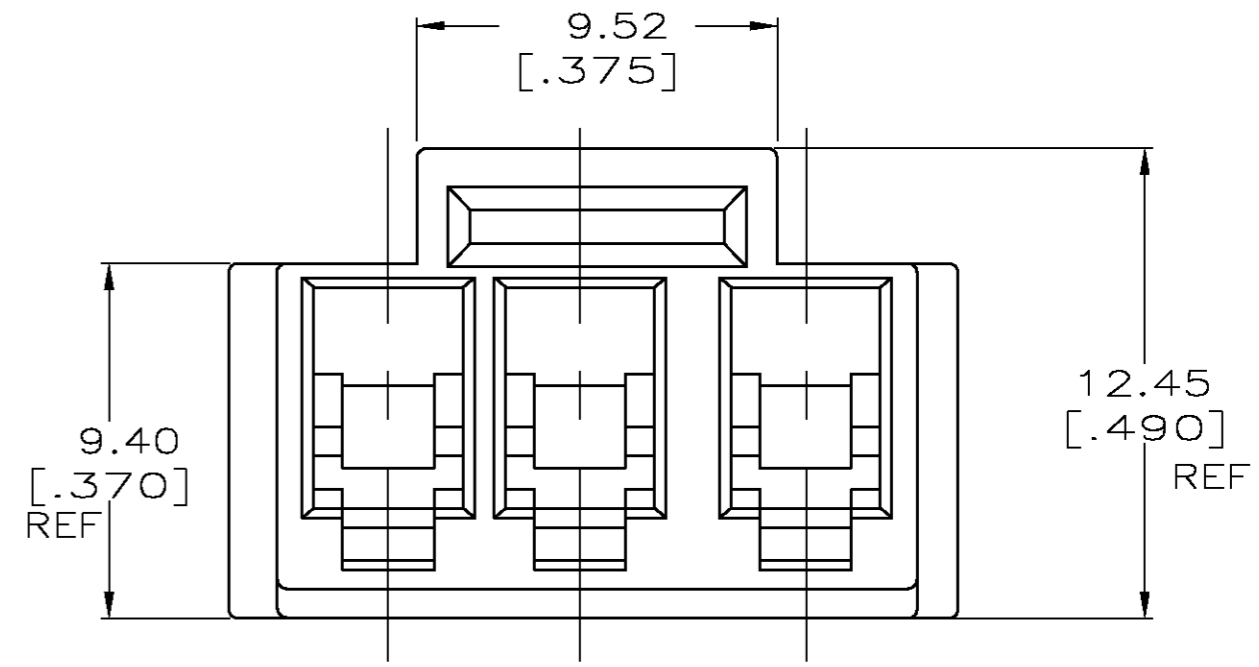
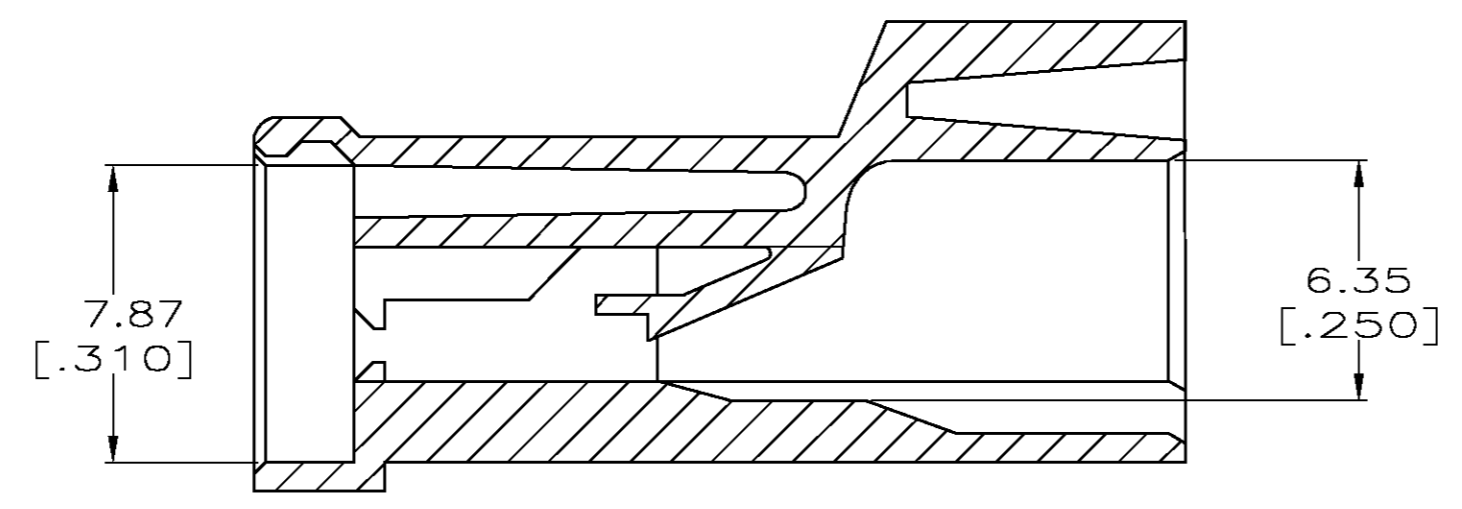
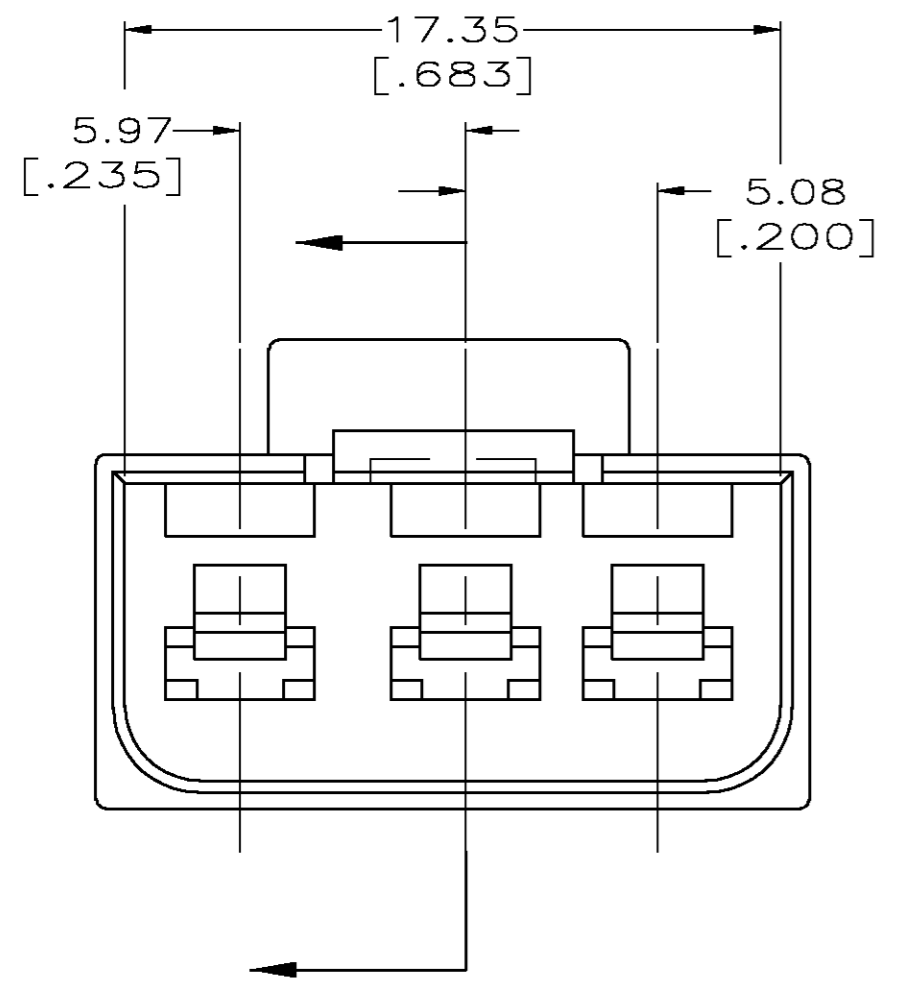
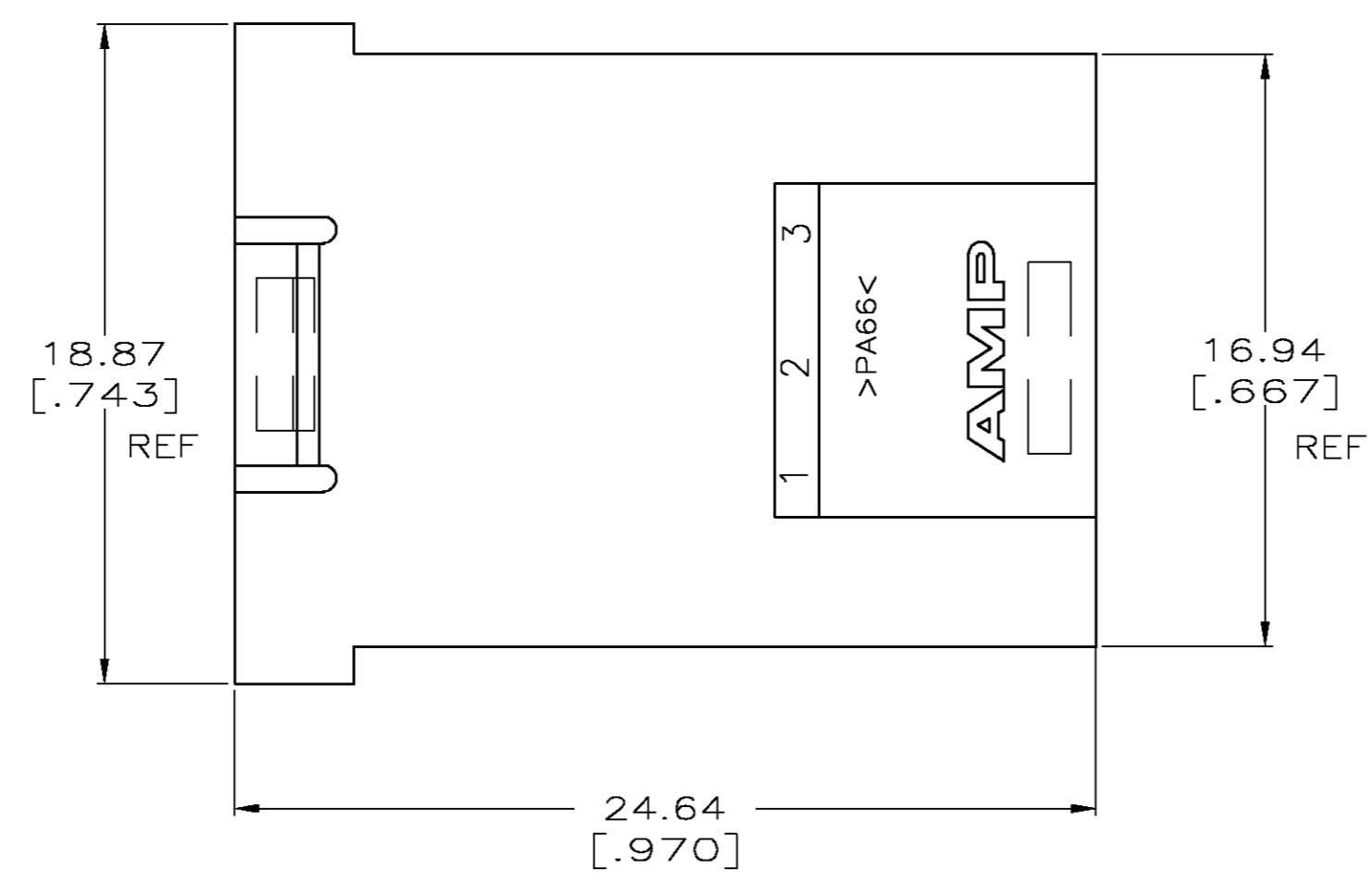


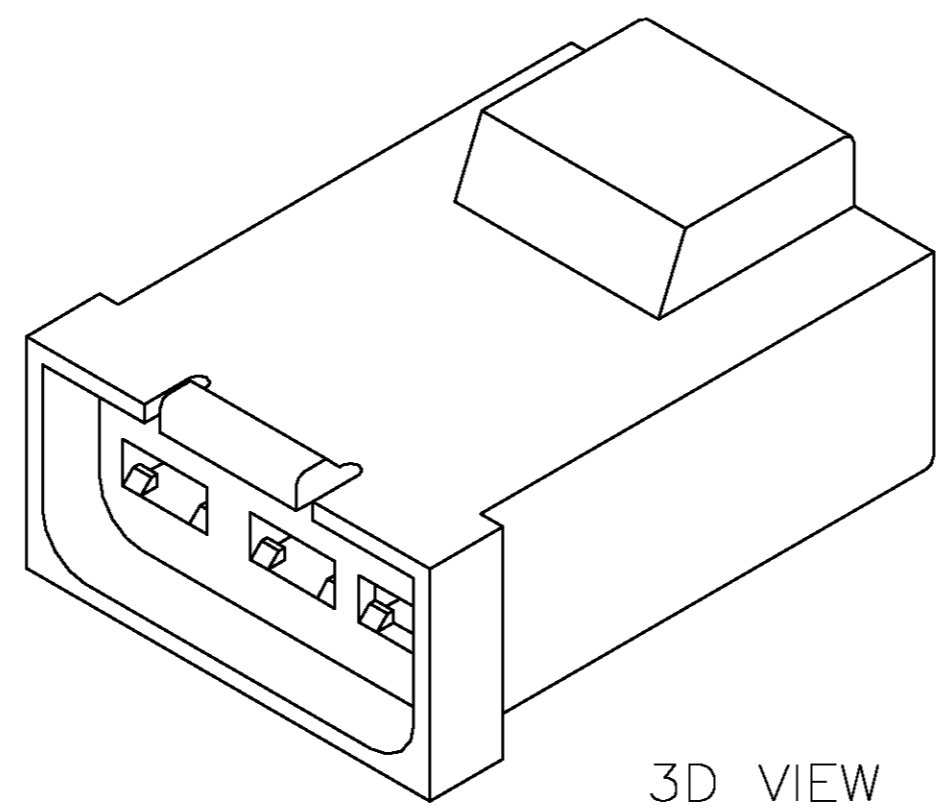
THIS DRAWING IS UNPUBLISHED. RELEASED FOR PUBLICATION
 © COPYRIGHT BY TYCO ELECTRONICS CORPORATION. ALL RIGHTS RESERVED.

LOC	DIST	REVISIONS			
P	LTR	DESCRIPTION	DATE	DWN	APVD
AF	50	F	REVISED PER 0G3A-0971-04	16FEB05	JR PD

1 USE TERMINAL # 1217345 FOR TWO #18 AWG WIRES.



DESIRED TAB LENGTH



3D VIEW

521307-1
PART NUMBER

THIS DRAWING IS A CONTROLLED DOCUMENT.		DWN MICHAEL S. FEHER 07OCT2003	tyco Electronics	Tyco Electronics Corporation Harrisburg, PA 17105-3608	
DIMENSIONS: mm [INCHES]		CHK JEFF R. RUTH 07OCT2003		NAME PETE DESANTIS	
TOLERANCES UNLESS OTHERWISE SPECIFIED:		APVD PETE DESANTIS 07OCT2003	PRODUCT SPEC		
0 PLC ± -		APPLICATION SPEC			
1 PLC ± -		WEIGHT -			
2 PLC ± 0.25 [.010]		SIZE A2			
3 PLC ± -		CAGE CODE 00779			
4 PLC ± -		DRAWING NO C=521307			
ANGLES ± -		RESTRICTED TO -			
FINISH NATURAL		SCALE 5:1 SHEET 1 OF 1 REV F			
MATERIAL 6/6 NYLON		CUSTOMER DRAWING			

521307