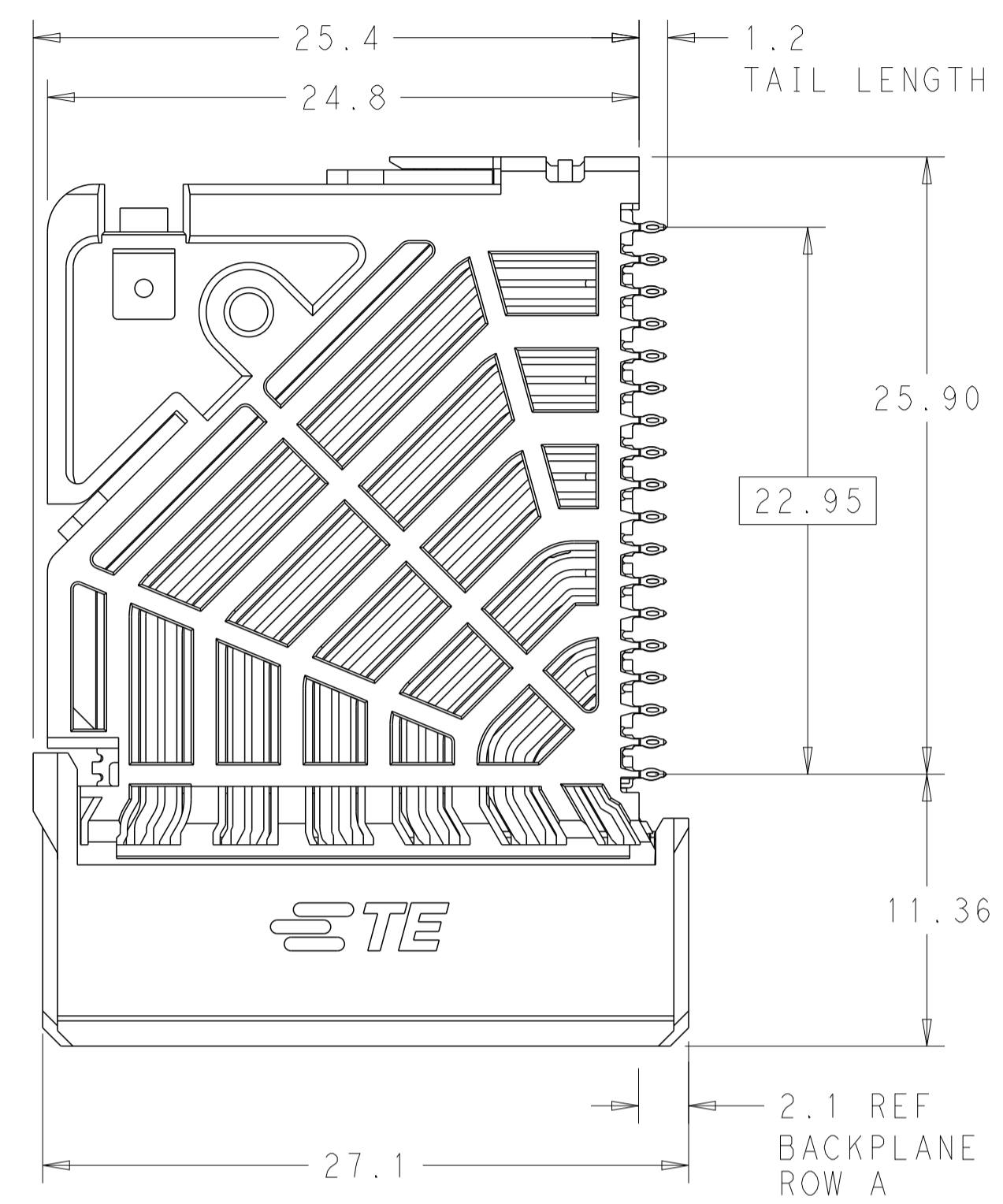
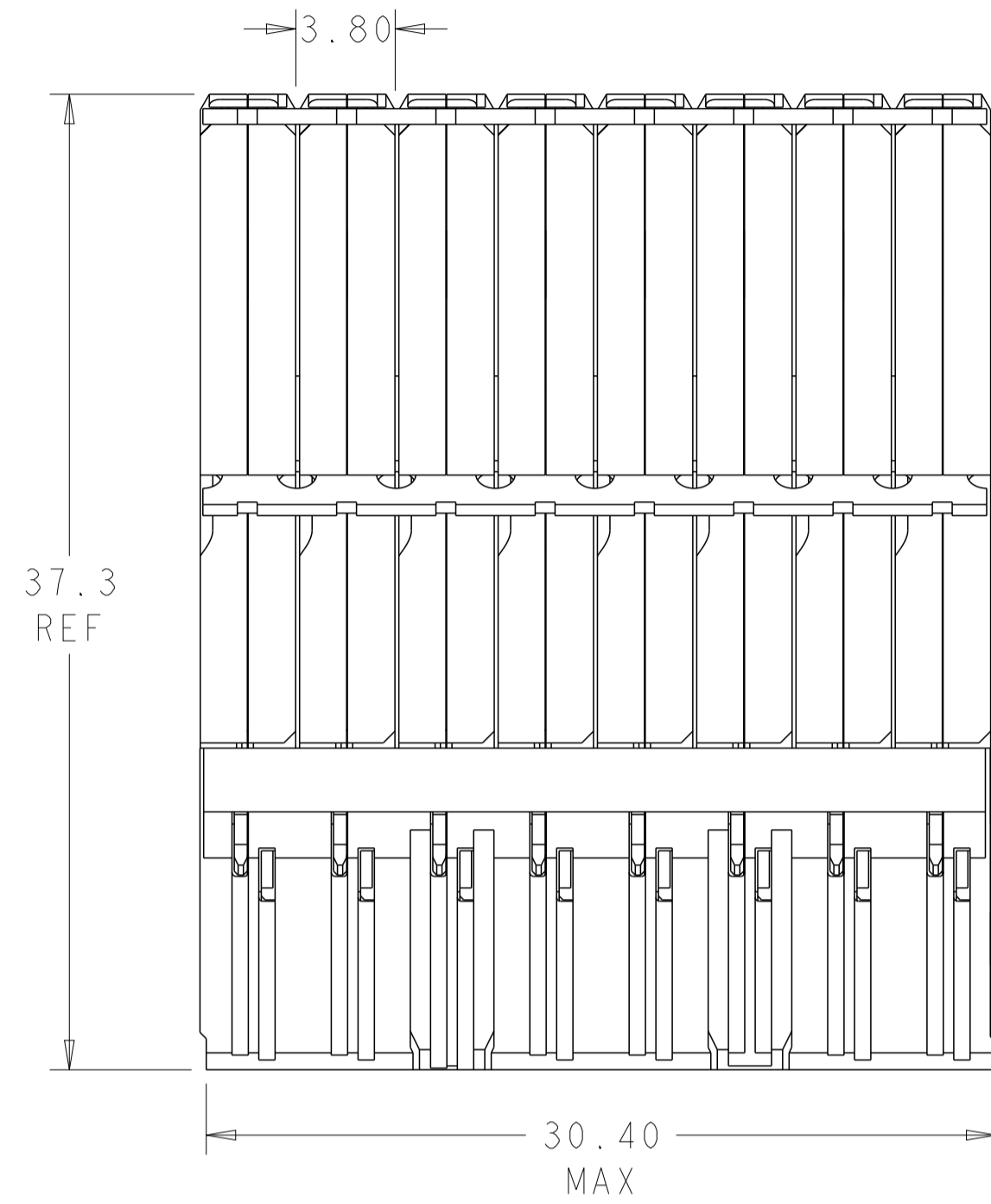
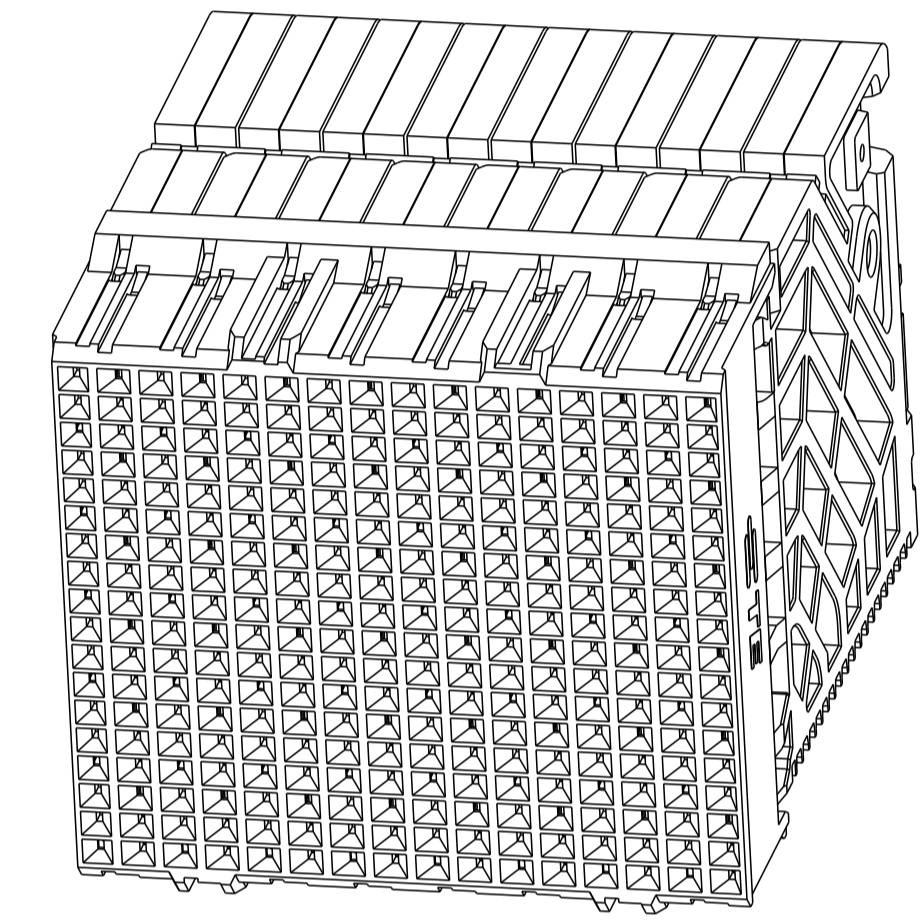


REVISIONS				
P	LTN	DESCRIPTION	DATE	APVD
E		REVISED PER ECO-15-012351	03SEP2015	AP SY

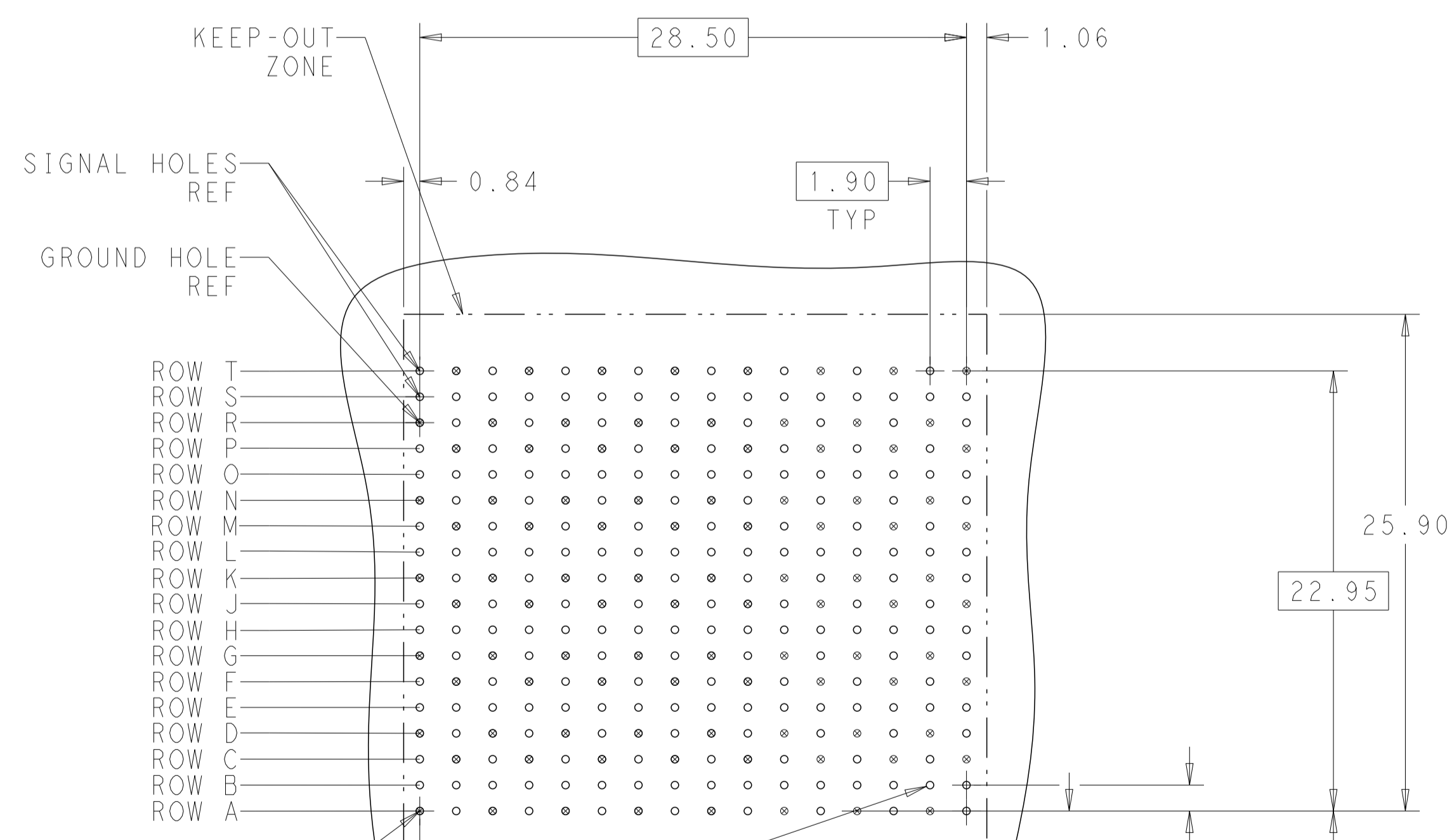
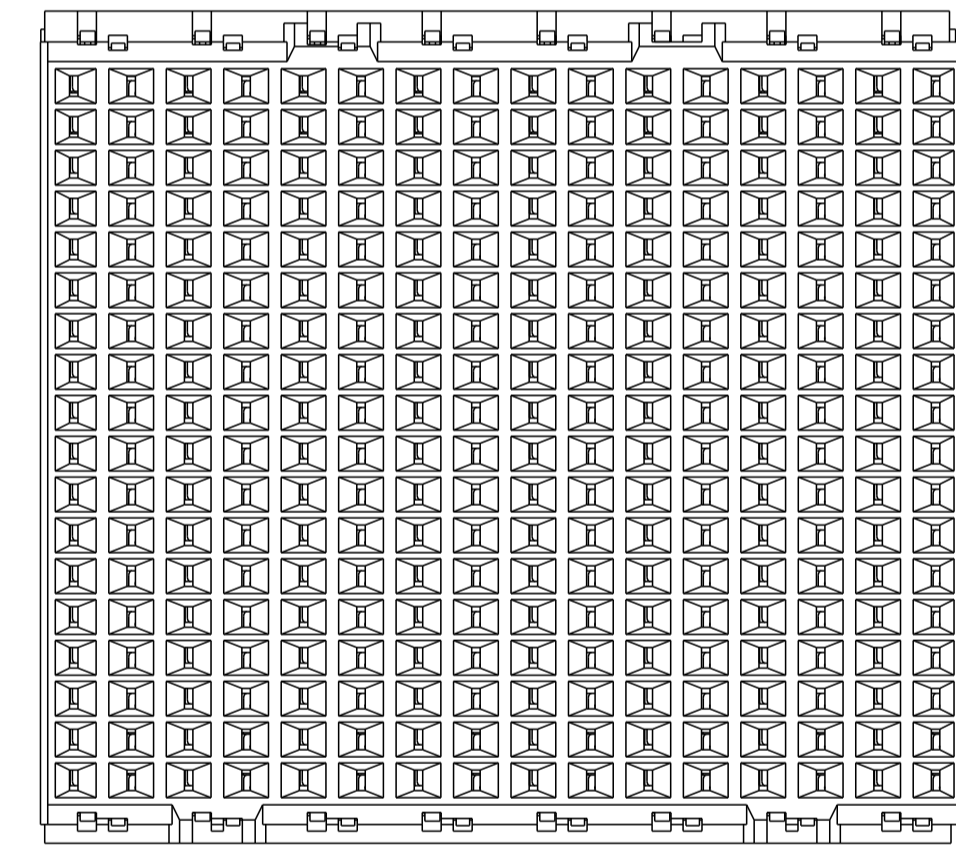


⚠ MATERIAL:
 HOUSING: LCP, GLASS FILLED, UL94V-0.
 TERMINALS: HIGH PERFORMANCE COPPER ALLOY.

⚠ FINISH:
 30μ" SELECTIVE GOLD IN CONTACT AREA. SELECTIVE TIN ON PCB TAILS, NICKEL OVERALL.



SCALE 3:1



REFER TO WWW.TE.COM FOR PRODUCT AVAILABILITY

288X Ø0.39±0.05
 PLATED THRU HOLE

288X Ø0.48±0.013
 DRILL HOLE

⊕ Ø0.10

0.35
 OFFSET BETWEEN BOARD AND
 BACKPLANE HOLE COLUMNS

RECOMMENDED PCB LAYOUT
 MIN BOARD THICKNESS 1.0

NONE	⚠	2007747-1
KEY POSITION	FINISH	PART NUMBER

THIS DRAWING IS A CONTROLLED DOCUMENT.		DWN B. CARBO 19NOV2010 CHK D. DIXON 19NOV2010 APVD D. DIXON 19NOV2010	NAME IMPACT, 6 PAIR, DAUGHTERCARD 16 COLUMN, UNGUIDED, SIGNAL MODULE, 0.39 EYELET
DIMENSIONS: mm 0 PLC ± 1 PLC ±0.2 2 PLC ±0.13 3 PLC ± 4 PLC ± ANGLES ±	TOLERANCES UNLESS OTHERWISE SPECIFIED:	PRODUCT SPEC APPLICATION SPEC SIZE CAGE CODE DRAWING NO A1 00779 C=2007747	RESTRICTED TO Customer Drawing
MATERIAL		WEIGHT	SCALE 4:1 SHEET 1 OF 1 REV E