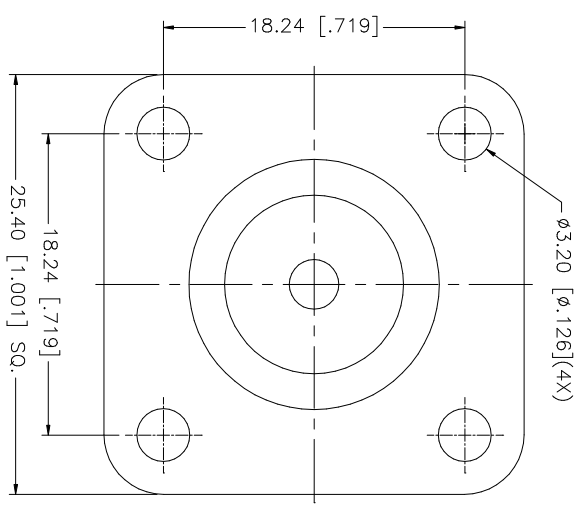
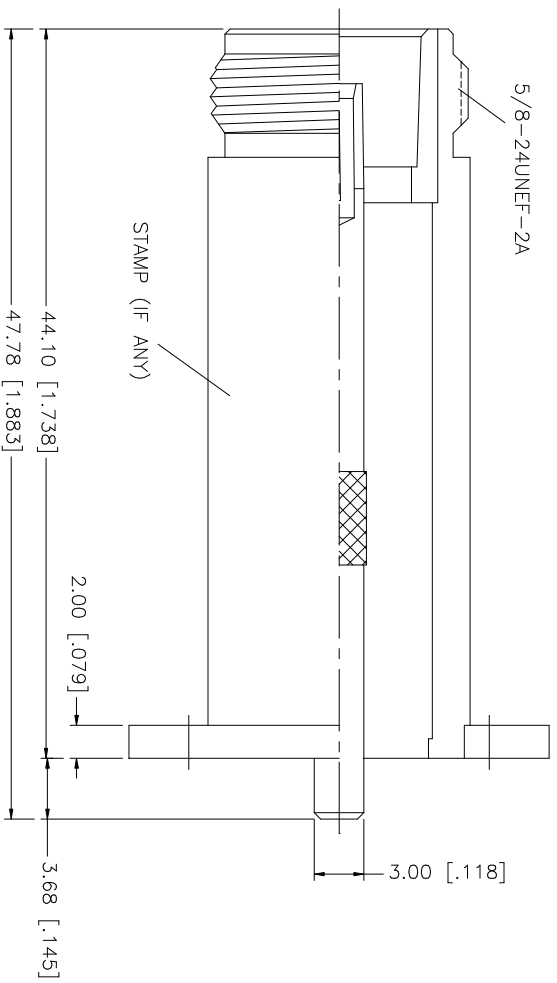


REV.	DATE	DESCRIPTION
A	01/30/04	UPDATE DRAWING FORMAT



QTY	FINISH	MATERIAL	DESCRIPTION
1	NEXCOTE	BRASS	BODY
1	NATURAL	TEFLON	INSULATOR
1	GOLD	PHOS. BRONZE	CONTACT PIN

DATE	APPROVALS	DATE	APPROVALS
01/30/04	G.R.S.		

DATE	DESCRIPTION
01/30/04	N PANEL RECEPTACLE JACK EXTENDED BODY / BLUNT POST

172187	172187
--------	--------

172187.DWG	172187.DWG
------------	------------

NA	A	A	A
----	---	---	---

SCALE	SIZE	REV.	DWG. NO.
NA	A	A	172187.DWG

DO NOT SCALE DRAWING	UNLESS OTHERWISE SPECIFIED DIMENSIONS ARE IN INCHES AND FOR CUSTOMER REFERENCE ONLY.	UNLESS OTHERWISE SPECIFIED DIMENSIONS ARE IN MILLIMETERS AND FOR CUSTOMER REFERENCE ONLY.
1.180 - 4.724 = ± 0.020"	1.180 - 4.724 = ± 0.020"	30 - 120mm ± 0.50mm
.315 - 1.180 = ± 0.015"	.315 - 1.180 = ± 0.015"	8 - 30mm ± 0.40mm
.020 - .315 = ± 0.007"	.020 - .315 = ± 0.007"	0.5 - 8mm ± 0.20mm
		TOLERANCES FOR MILLIMETERS ARE:
		UNLESS OTHERWISE SPECIFIED
		UNLESS OTHERWISE SPECIFIED
		TOLERANCES FOR INCHES ARE:
		UNLESS OTHERWISE SPECIFIED

**Amphenol Connex**

N PANEL RECEPTACLE JACK  
EXTENDED BODY / BLUNT POST

172187

172187.DWG

SCALE NA  
SIZE A  
REV. A