

MODEL:

# SRW6UG

## SmartRack® Wall-Mount Rack Enclosure Cabinet



6 Rack Units



200 lb.  
Load Rating



Sturdy Steel  
Construction



Locking Doors  
& Side Panels



Clear Acrylic  
Window



Standard  
19" Rack Width



Convenient  
Cable Access



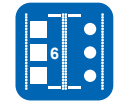
Adjustable  
Mounting Rails



Ventilated for  
Ample Airflow



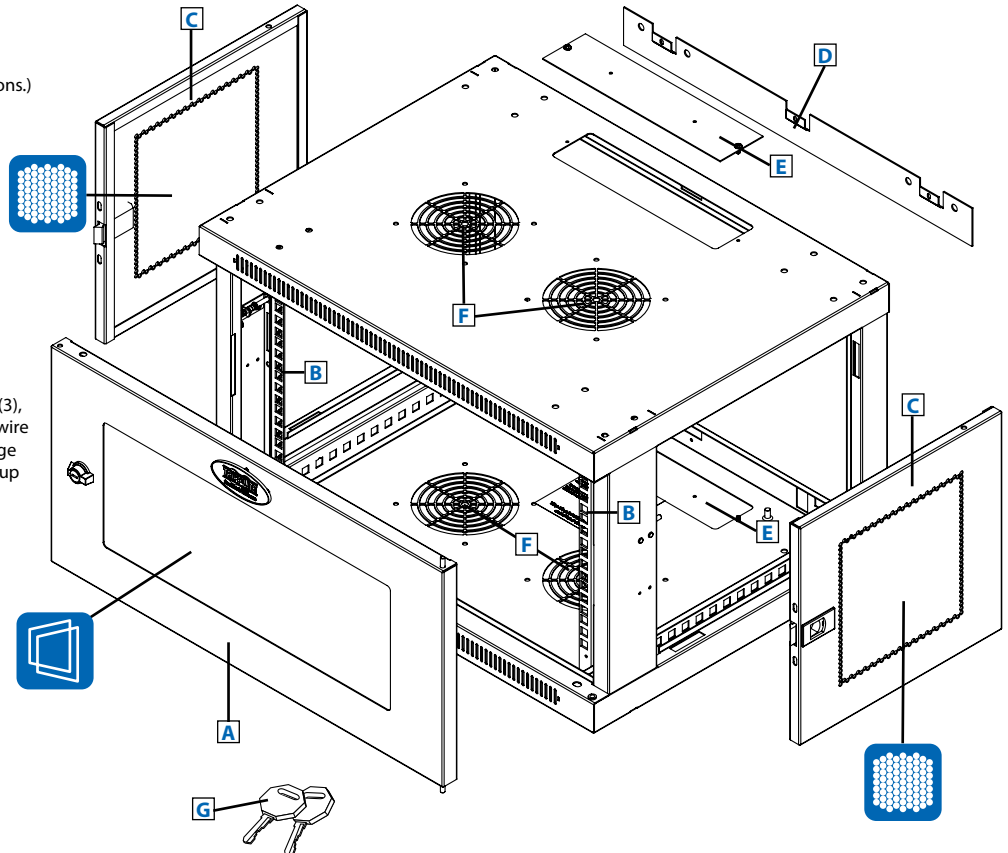
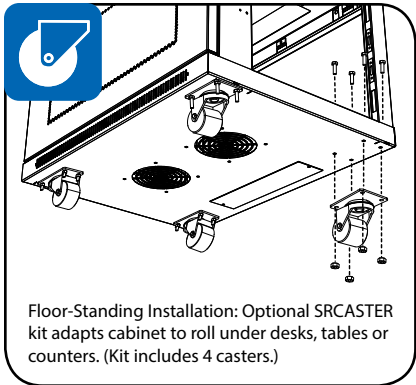
Reversible  
Cabinet



Square/  
Threaded Hole  
Mounting

- A** Front Door with Clear Acrylic Window  
(Lockable/Removable/Reversible)
- B** Adjustable Mounting Rails (2)  
(Support square and threaded hole mounting options.)
- C** Side Panels (2)  
(Lockable/Removable)
- D** Mounting Plate  
(Removable. Includes mounting hooks  
for cabinet.)
- E** Cable Access Port Covers (2)  
(Removable)
- F** Ventilation Fan Ports (4)  
(Support optional SRFANWM fan kit.)
- G** Keys (2)

Also Includes: Owner's manual, mounting plate screws (3), cabinet ground screw, pre-installed front door ground wire and rack-mount equipment mounting hardware (12 cage nuts, 12 mounting screws, 12 #12-24 screws, 12 nylon cup washers).



- Wall-mount enclosures provide convenient, locking storage for rack-mount IT devices and other equipment that should be off the floor, out of the way and secure
- The cabinet is fully reversible, allowing installers to change door hinges from left to right by simply rotating the unit 180 degrees before mounting
- Front door with shatter-resistant clear acrylic window allows for easier equipment readouts without unlocking the enclosure

**SEE NEXT PAGE FOR DETAILED UNIT MEASUREMENTS**



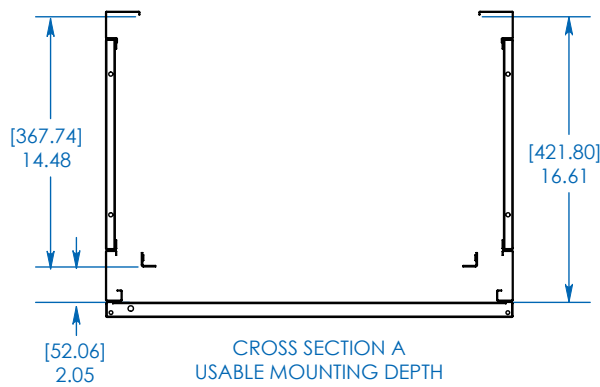
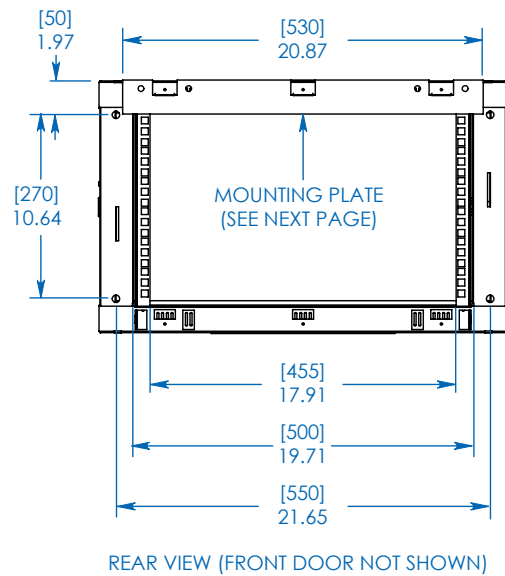
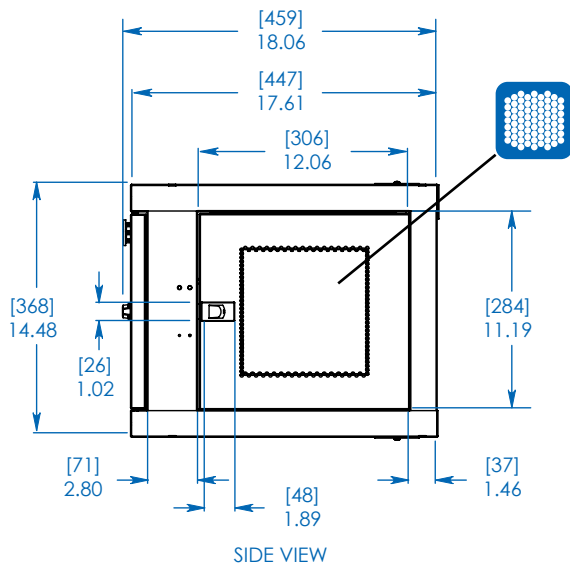
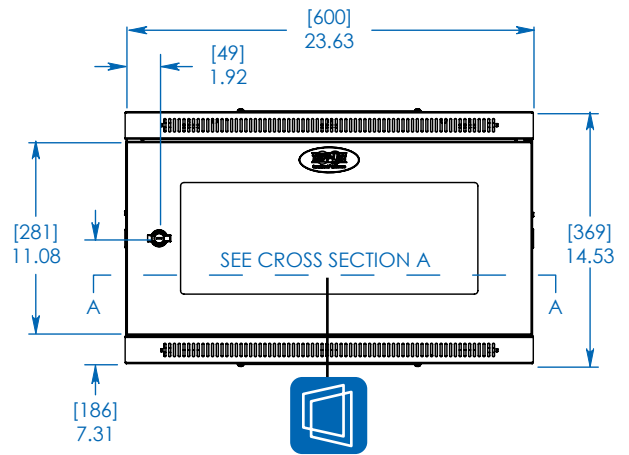
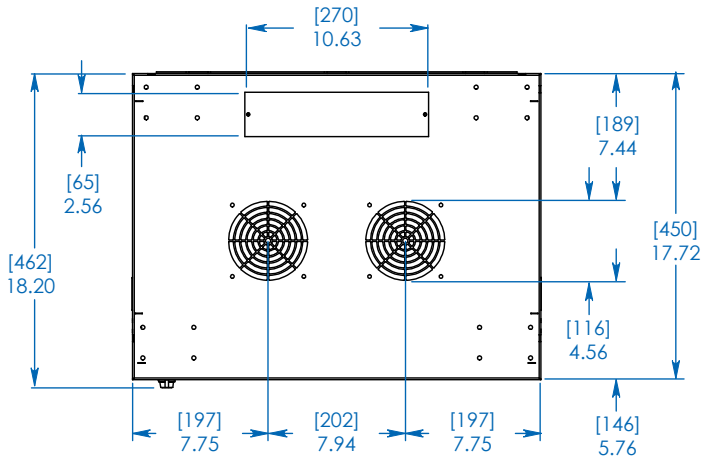
1111 W. 35th Street  
Chicago, IL 60609 USA  
773.869.1234  
www.tripplite.com

### Specifications

Model	SRW6UG
Rack Spaces	6U
Equipment Mounting Depth	Up to 16.5 in. / 419 mm
Load Rating*	200 lb. / 90.7 kg
Unit Dimensions (H x W x D)	14.5 x 23.5 x 17.5 in. / 368 x 596 x 445 mm
Shipping Dimensions (H x W x D)	17.3 x 25.8 x 19.9 in. / 439 x 655 x 505 mm
Unit Weight	29 lb. / 13 kg
Shipping Weight	33 lb. / 15 kg
Standards	Tested to EIA/ECA-310-E, UL/CSA 60950-1, NOM (Mexico), RoHS

\* The load rating includes the combined weight of the unit and installed equipment. The unit must be mounted to a stable surface with user-supplied anchors capable of bearing the full load.

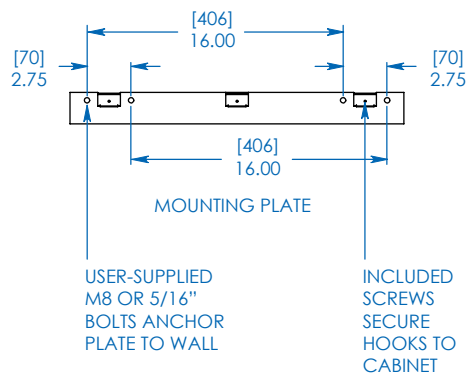
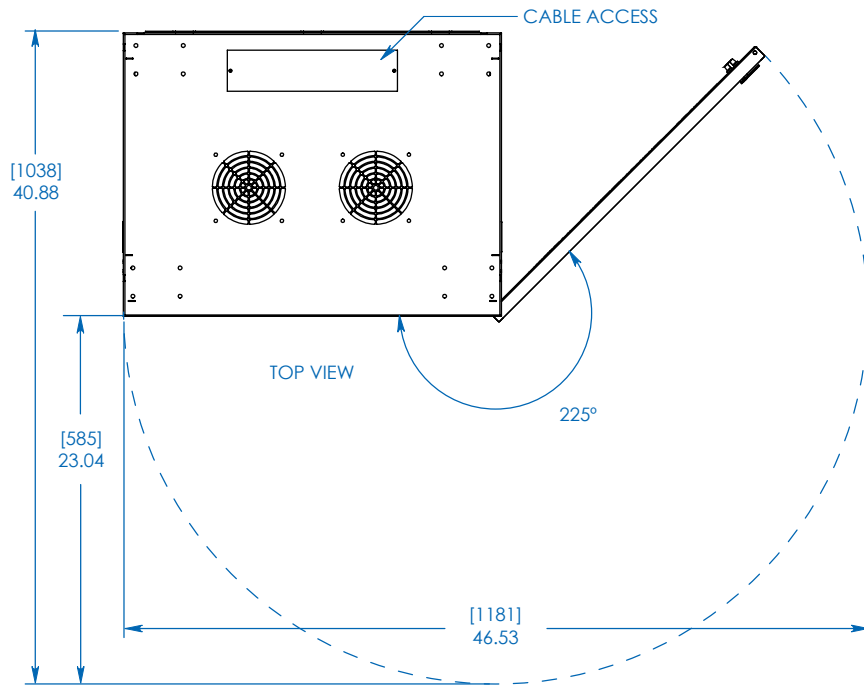




Dimensions: [mm] INCHES

Tripp Lite has a policy of continuous improvement. Specifications are subject to change without notice.

MODEL:  
**SRW6UG**  
**TRIPP·LITE**



Dimensions: [mm] INCHES

Tripp Lite has a policy of continuous improvement. Specifications are subject to change without notice.

MODEL:  
**SRW6UG**

**TRIPP·LITE**

1111 W. 35th Street  
Chicago, IL 60609 USA  
773.869.1234  
www.tripplite.com