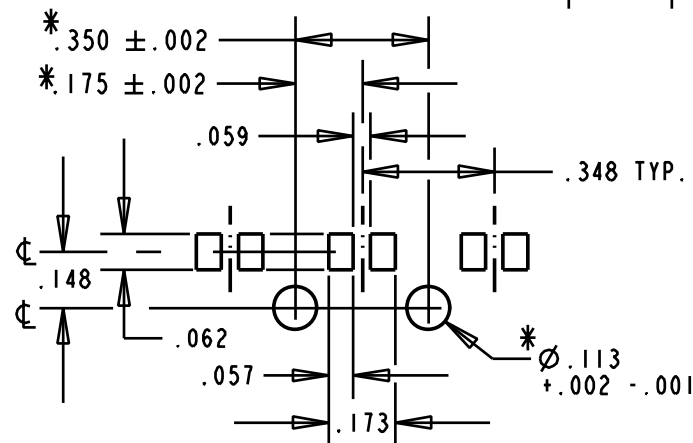
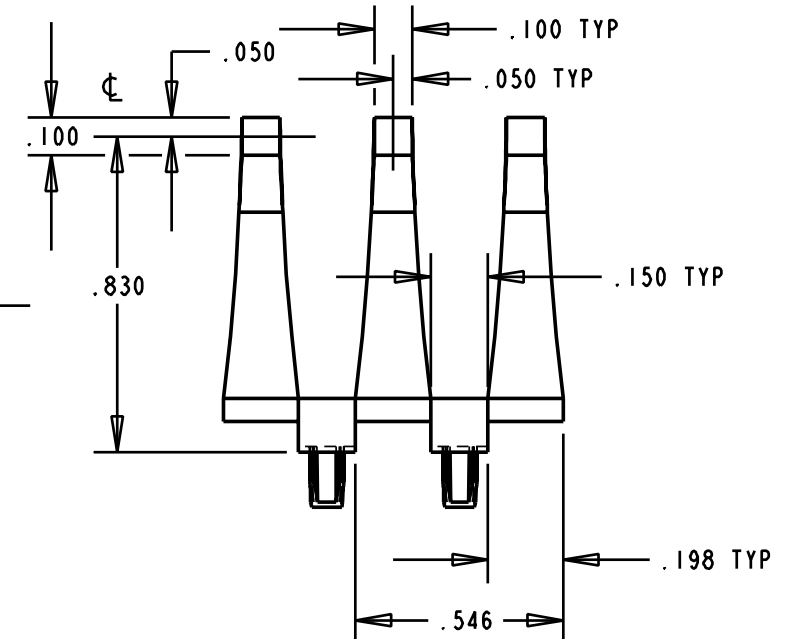
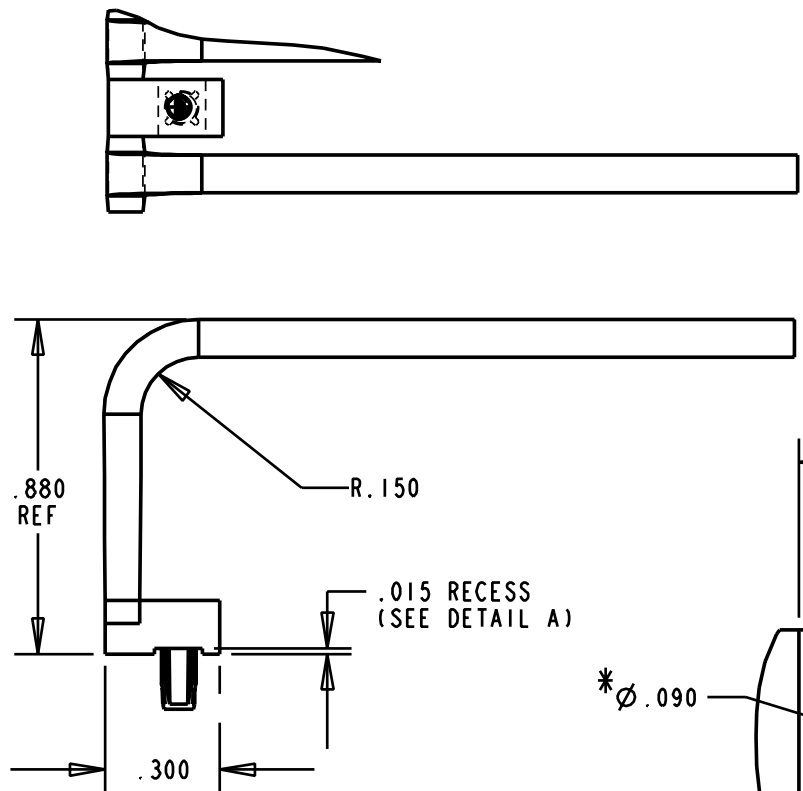
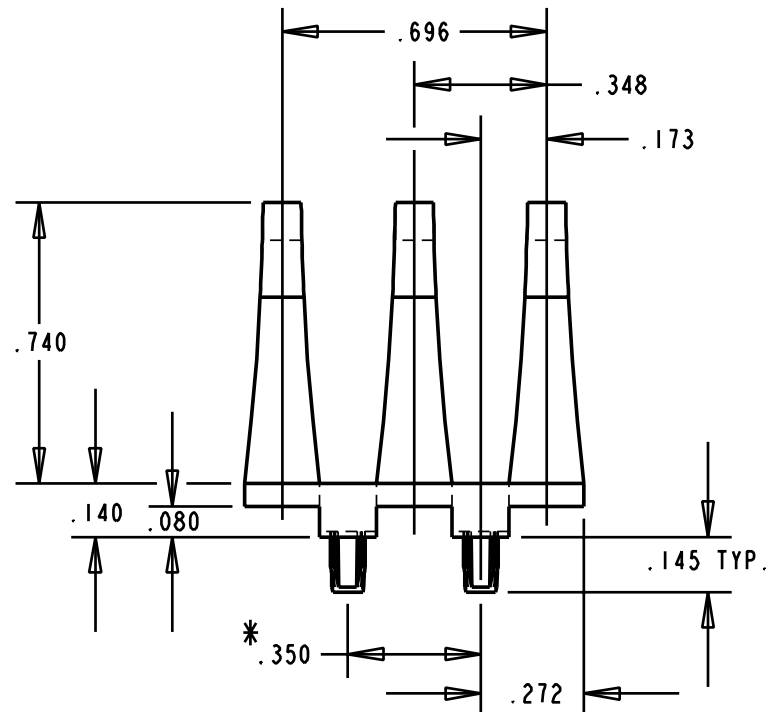
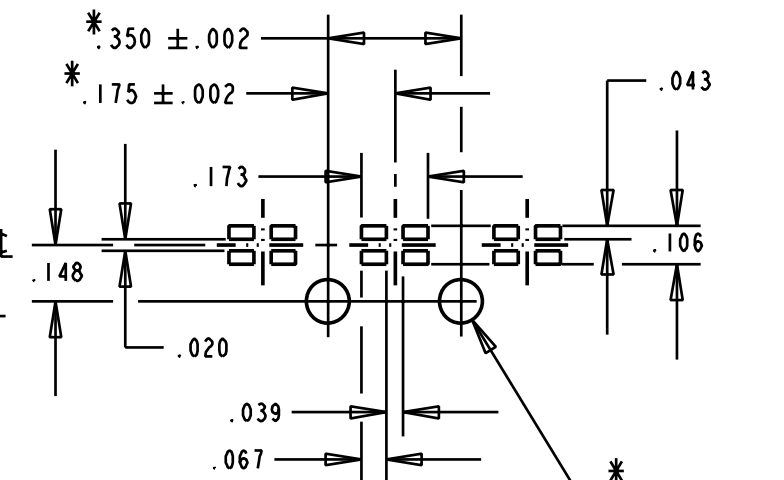


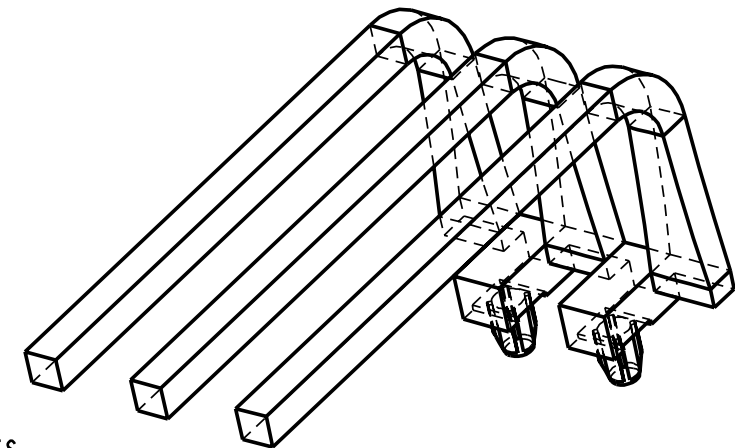
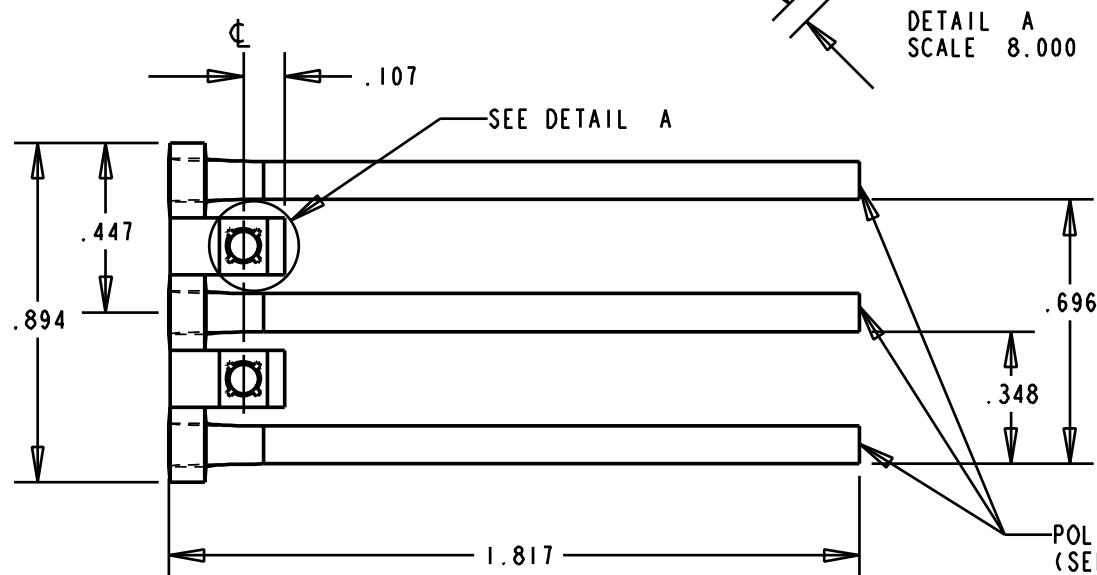
REV.	ECN NO.	REVISIONS	DRN.	CKD.	APP.	DATE
A	—	NEW RELEASE	ADM	AV	N.O.	3-09-01
B	—	ADDED: DETAIL A (MOUNTING PIN MODIFICATIONS) AND CRITICAL DIMENSIONS NOTE (*)	ADM	DC	N.O.	8-29-01
C	—	CHANGED DIMS: $\phi .115$ WAS $\phi .116$ , $.016$ WAS $.010$ , $R.003$ WAS $R.004$ .	ADM			



SOLDER PAD/HOLES LAYOUT (SINGLE COLOR SMT LEDS SHOWN)



SOLDER PAD/HOLES LAYOUT (BI-COLOR SMT LEDS SHOWN)



\* DENOTES CRITICAL DIMENSION OR SPECIFICATION

NOTES:

1. UNLESS OTHERWISE SPECIFIED, ALL SURFACES MUST HAVE FINISH OF SPI A3 TO B1.
2. UNLESS OTHERWISE SPECIFIED, SINK MARKS & KNOCKOUT MARKS NOT TO EXCEED .005" RECESSED.
3. FLASH NOT TO EXCEED .005".
4. NO BUBBLES IN LIGHTPATH GREATER THAN .005".
5. GATE VESTIGE TO BE FLUSH TO .010" ABOVE SURFACE.
6. MARKING FOR CAVITY IDENTIFICATION NOT TO EXCEED .003" RAISED, OR NOT TO EXCEED .005" LOWERED.
7. UNLESS OTHERWISE SPECIFIED, .003" ROUNDS & FILLETS PERMISSIBLE.
8. UNLESS OTHERWISE SPECIFIED, 2 DEGREE DRAFT PERMISSIBLE.
9. DIALIGHT P/N 5151113; TELLABS P/N 150321.
10. DIALIGHT LIGHT SOURCE P/N'S: SINGLE 597-3XXI-5XX; BI-COLOR 597-77XI-5XX.

THIS DRAWING AND THE CONTENTS HEREIN ARE CONFIDENTIAL AND THE SOLE PROPERTY OF DIALIGHT. REPRODUCTION OF THIS DRAWING OR CONSTRUCTION OF ANY PARTS WITHIN THIS DRAWING ARE FORBIDDEN WITHOUT THE WRITTEN CONSENT OF DIALIGHT.		
SCALE 2:1 ALL DIM'S IN: INCHES (MM)	DRAWING NUMBER C-16783	REV C
TOLERANCES: UNLESS OTHERWISE SPECIFIED FRACTIONS: $\pm 1/64$ DECIMALS (.XX): $\pm .02$ DECIMALS (.XXX): $\pm .015$ DECIMALS (.XXXX): $\pm .0005$ ANGLES: $\pm 1^\circ$	TITLE LIGHTPIPE, THREE ELEMENT	
FINISH:	MATERIAL	
FSCM 83330	Dialight	1501 ROUTE 34 SOUTH FARMINGDALE, NJ 07727
	SHEET OF	FAMILY TABLE: