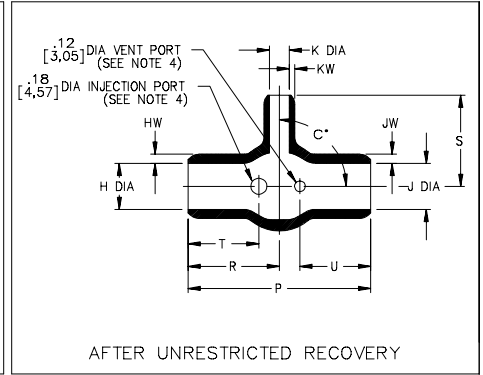
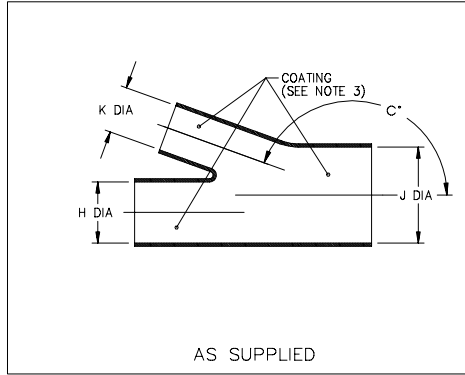


Thermofit[®] Molded Parts
 Specification Control Drawing
 Limited Distribution

Part Number : 322A423
 Description : Transition, 90°, Side Breakout, Thinwall

NOTES

- All dimensions are in $\frac{\text{inches}}{\text{[millimeters]}}$
- Dimensions appearing in table are as follows:
 a - As Supplied
 b - After Unrestricted Recovery
- Coating is optional. As supplied dimensions appearing in table are for uncoated parts. When coating is added, entry diameters will be reduced by .06 max.
- Molding ports are optional. When -00 modification number is specified molding ports will be located as shown.



PART NUMBER	H & J		K		P	R	S	T	U	HW&JW	KW	C*	
	Min a	Max b	Min a	Max b	±10% b	±10% b	±10% b	±10% b	±10% b	±20% b	±20% b	±10% a	±5% b
322A423	1.40 [35,5]	.70 [17,7]	.60 [15,2]	.30 [7,7]	2.00 [50,8]	1.00 [25,4]	1.00 [25,4]	.82 [20,8]	.82 [20,8]	.091 [2,31]	.058 [1,47]	165	90

If this document is printed it becomes uncontrolled.
 Check for the latest revision.

Raychem

RAYCHEM CORPORATION
 300 CONSTITUTION DRIVE
 MENLO PARK, CALIFORNIA 94025
 (415) 361-6055

Revision : B
 Date : 8/5/93

Part Number : 322A423
 Description : Transition, 90°, Side Breakout, Thinwall

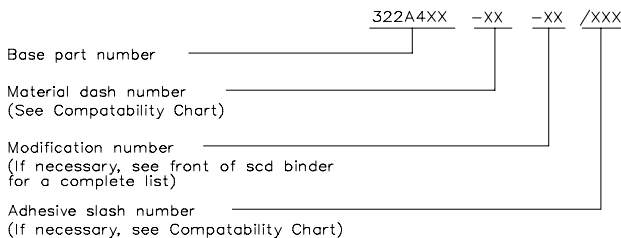
Thermofit[®] Molded Parts
 Specification Control Drawing
 Limited Distribution

Part Number : 322A423
 Description : Transition, 90°, Side Breakout, Thinwall

MATERIAL DASH NO.	MATERIAL DESCRIPTION	RT SPEC	COATING SLASH NO.	COATING S NO.	COATING DESCRIPTION
-3	Polyolefin, Semi-rigid	RT-301	/42;/86	S-1017;S-1048	Adhesive
-4	Polyolefin, Flexible	RT-1304	/42;/86	S-1017;S-1048	Adhesive
-5	Elastomer, Flexible	RT-501	/42	S-1017	Adhesive
-6	Silicone	RT-602	N/A		
-12	*VITON, Flexible	RT-1312	N/A		
-25	Elastomer, Fluid Resistant	RT-1325	/86	S-1048	Adhesive
-100	Polyolefin, Semi-flexible ZEROHAL™	RT-1323	/180	S-1030	Adhesive

*VITON is a Registered Trademark of Dupont

ORDERING INFORMATION



THIS DRAWING IS SUBJECT TO CHANGE WITHOUT NOTICE; CONSULT YOUR NEAREST FIELD REPRESENTATIVE FOR CURRENT REVISION

Raychem

RAYCHEM CORPORATION
 300 CONSTITUTION DRIVE
 MENLO PARK, CALIFORNIA 94025
 (415) 361-6055

Revision : B
 Date : 8/5/93

Part Number : 322A423
 Description : Transition, 90°, Side Breakout, Thinwall
 CAD FILE MP93230