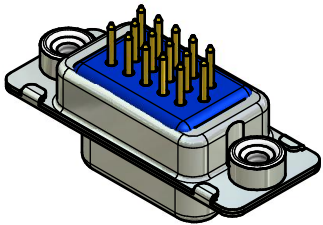
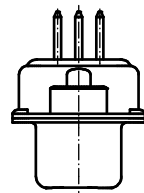
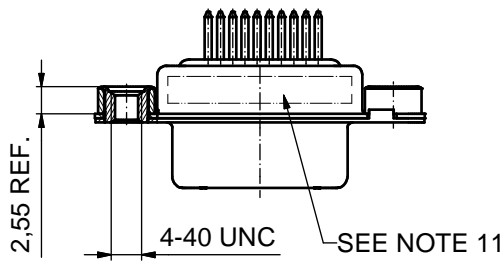
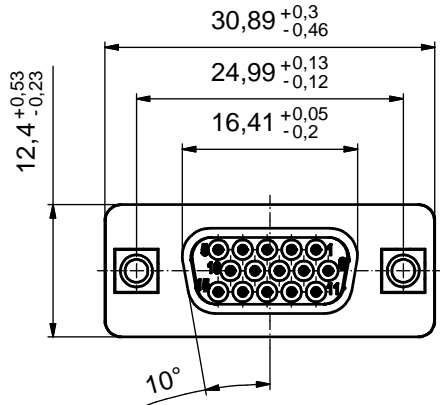
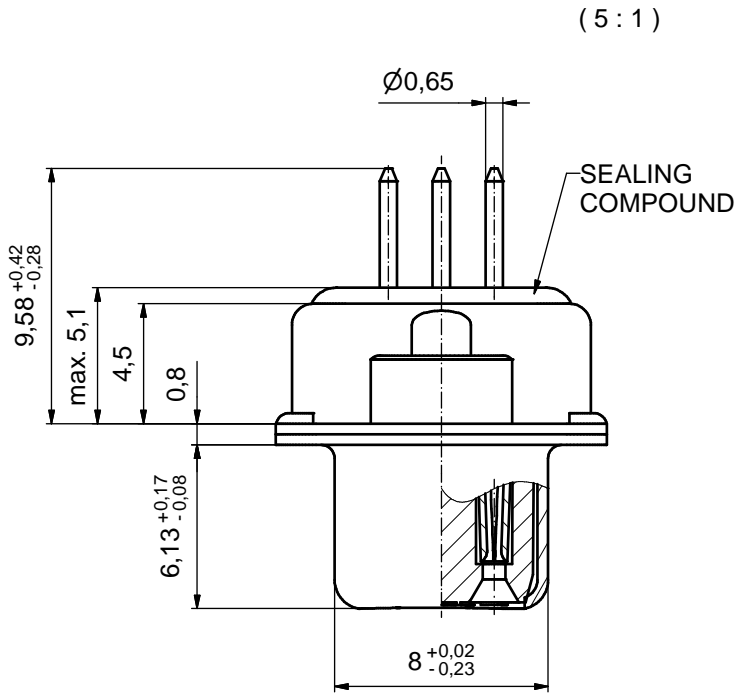


P.C.B. HOLE DRILLINGS



NOTES:

1. RoHS COMPLIANT
2. SUITABLE FOR WAVESOLDERING
3. METALSHELLS: STEEL; min. 315µm TIN over 40-80µm NICKEL
4. INSULATORS: HIGH TEMPERATURE PLASTIC UL 94 V-0, BLACK
5. CONTACTS: COPPER ALLOY
PLATING: 8µm HARD GOLD over min. 50µm NICKEL
6. THREADED INSERT: COPPER ALLOY; min. 200µm TIN over 80µm NICKEL
7. SLEEVE: COPPER ALLOY; min. 200µm TIN over 80µm NICKEL
8. CAPACITANCE: 370pF±20%
9. DIELECTRIC WITHSTANDING VOLTAGE: 300 VDC
10. MAXIMUM TORQUE VALUE FOR THREAD: 6 in.LB
11. CONNECTOR IS PART MARKED: 242A18060X CONEC ABC

Directive 2002/95/EC
„RoHS“
Compliant

APPROVAL # FREIGABE # DEBLOCAGE # AUTORIZACION # APPROVAL	
CUSTOMER APPROVAL DATE:	
NAME:	TITLE:
COMPANY NAME:	
APPROVAL # FREIGABE # DEBLOCAGE # AUTORIZACION # APPROVAL	

THIS DRAWING MAY NOT BE COPIED OR REPRODUCED IN ANY WAY AND MAY NOT BE PASSED ON TO A THIRD PARTY WITHOUT WRITTEN PERMISSION. OWNERSHIP AND COPYRIGHT OF CONEC GmbH				tolerance		dim. in mm	scale: 2:1 (5:1)	
DO NOT ALTER CAD DRAWING BY HAND				date			material: SEE Notes	
a Origin				drawn	27.05.2008	Sonnenberg	title:	
rev. description date name				appd.	27.05.2008	Mickenbecker	D-SUB HD FILTER FEMALE	
				norm			15 pos. SOLDER PIN STRAIGHT	
				d-old			with threaded insert	
				CONEC		dwg no: Inventor 10		DIN-A3
						part no: 242A18060X		sh: 1

scale: 2:1 (5:1)	
material: SEE Notes	
title: D-SUB HD FILTER FEMALE	
15 pos. SOLDER PIN STRAIGHT	
with threaded insert	
dwg no: Inventor 10	DIN-A3
24K1A1092	
part no: 242A18060X	