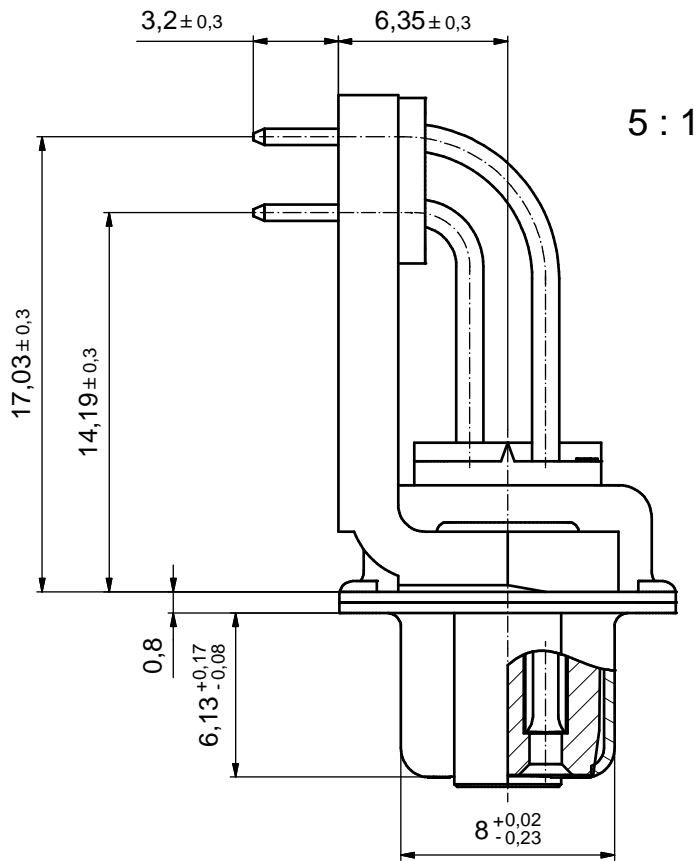
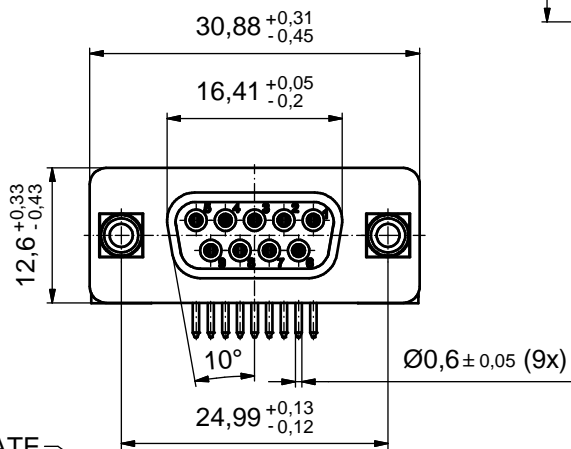


P.C.B. HOLE DRILLINGS
(P.C.B. TOP SIDE)

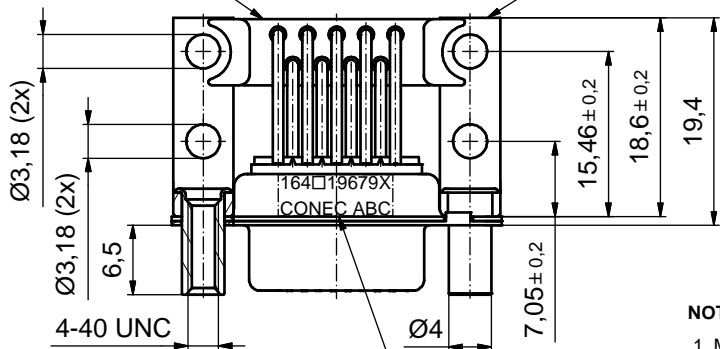


5 : 1

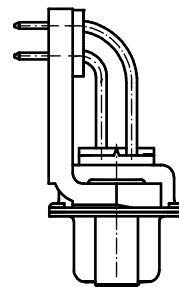


FIXING PLATE

METAL BRACKET

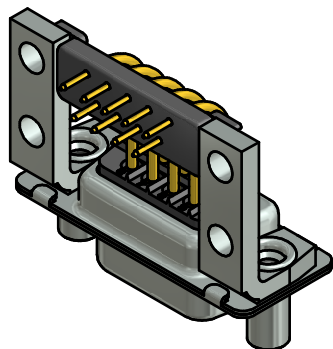


SEE NOTE 8



NOTES:

1. METALSHELLS: STEEL; min. 315µm Tin over 40-8µm NICKEL
2. INSULATORS: PBT GF UL 94 V-0, BLACK
3. CONTACTS: COPPER ALLOY; PLATING (SEE PART NO.):
 PLEASE ADD A for GOLD FLASH over NICKEL (PREFERRED TYPE)
 PLEASE ADD B for 20µm HARD GOLD over min. 50µm NICKEL
 PLEASE ADD C for 30µm HARD GOLD over min. 50µm NICKEL
4. METAL BRACKETS: STEEL; min. 320µm TIN over 80µm NICKEL
5. THREADED LOCKS: COPPER ALLOY; min. 200µm TIN over 80µm NICKEL
6. FIXING-PLATE: PBT GF UL 94 V-0; BLACK
7. MAXIMUM TORQUE VALUE FOR THREAD: 6 in.LB
8. CONNECTOR IS PART MARKED: 164□19679X CONEC ABC (see note 3)



Directive 2002/95/EC RoHS compliant

THIS DRAWING MAY NOT BE COPIED OR REPRODUCED IN ANY WAY, AND MAY NOT BE PASSED ON TO A THIRD PARTY WITHOUT WRITTEN PERMISSION. OWNERSHIP AND COPYRIGHT OF CONEC GmbH DO NOT ALTER CAD DRAWING BY HAND	tolerance		dim. in mm	scale: 2:1 (5:1)		
				material: SEE NOTES		
	drawn	11.04.2014	Heinrich	title: D-SUB FEMALE 90° 9pos. SOLDER PIN ANGLED 0.590inch with metal bracket, threaded lock, fixing plate		
	appd.	11.04.2014	Lehmenkühler			
norm			dwg no:		DIN-A3	
d-old			16K1A3436		sh: 1	
a	Original		part no: 164□19679X (see note 3)			
rev.	description	date				