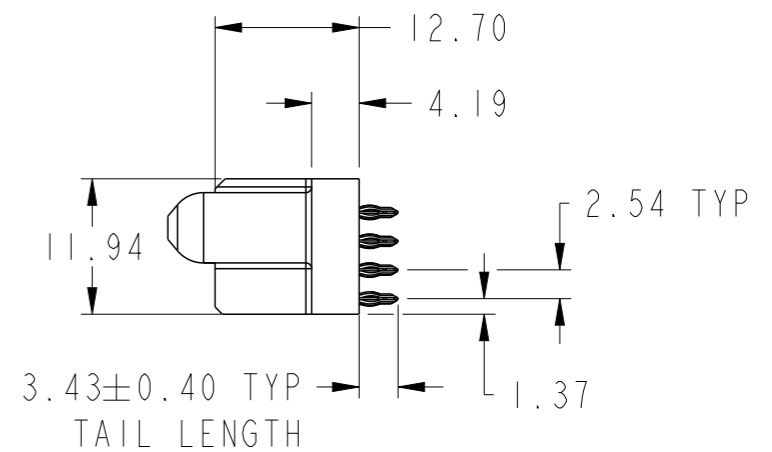
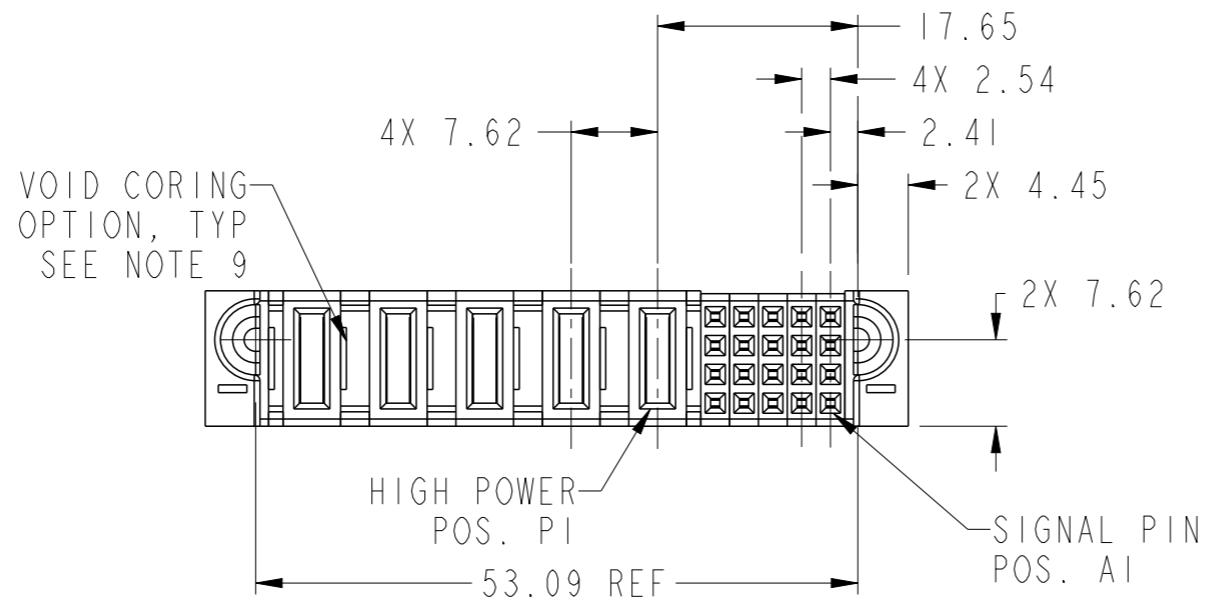
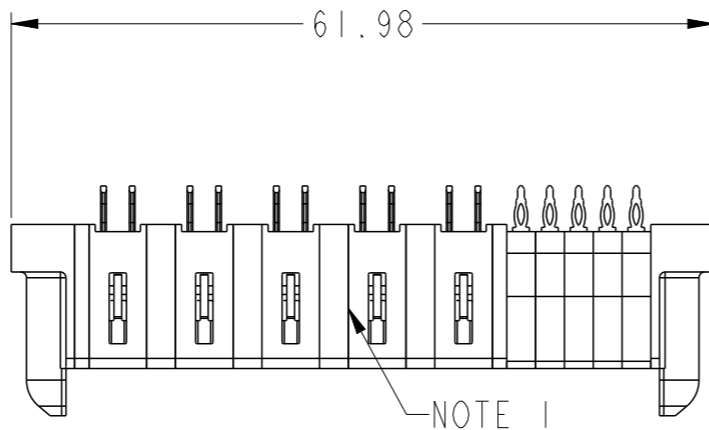
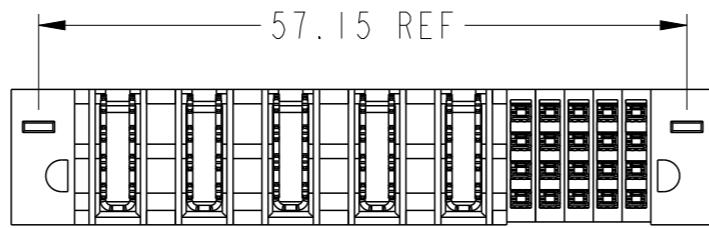


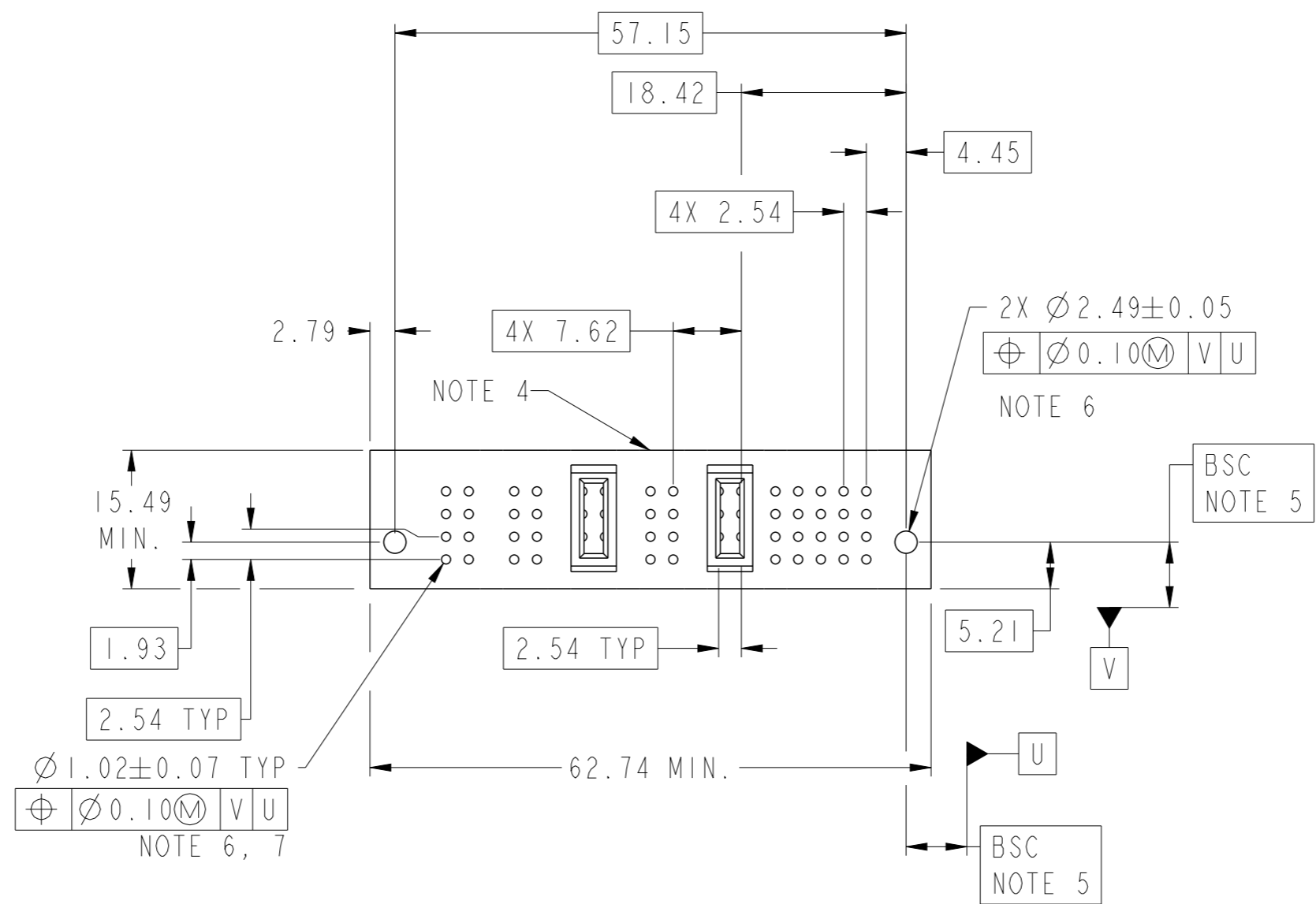
PRODUCT NUMBER SEE SHEET 2



spec ref		dr	Peng-Bing Fu	2013/03/12	projection	MM	size	A3	scale	3:2
tolerance std ASME Y14.5		TOLERANCES UNLESS OTHERWISE SPECIFIED			eng	Peng-Bing Fu	2013/05/07	ecn no	-	
surface ✓		chr	-		appr	Pei-Ming Zheng	2013/05/07	rel level	Released	
ASME Y14.5		linear	0.X	±0.50	product family		PowerBlade+	dwg no	10106123-5005001	rev
			0.XX	±0.25	www.fci.com		cat. no.	Product - Customer Drw		sheet 1 of 3
		angular	0°	±2°	20S + 5ACP VT PF RECEPTACLE			STATUS:Released		Printed: May 08, 2013

PRODUCT NO.	ROWS	HIGH POWER					SIGNAL					
		E1	P5	P4	P3	P2	P1	5	4	3	2	1
10106123-5005001LF	DCBA											

CODE	DESCRIPTION
F	STD SIGNAL CONTACT
HD	MFBL HIGH POWER CONTACT (3.43)
HG	STD HIGH POWER CONTACT (3.43)



Copyright FCI.

dr	Peng-Bing Fu	2013/03/12	projection	MM	size	A3	scale	3:2	
eng	Peng-Bing Fu	2013/05/07		← →	ecn no	-	rel level	Released	
chr	-	-							
appr	Pei-Ming Zheng	2013/05/07	product family	PowerBlade+					
			20S + 5ACP		dwg no	10106123-5005001		rev	A
www.fci.com			VT PF RECEPTACLE		cat. no.		Product - Customer Drw		sheet 2 of 3

A

B

C

D

A

B

C

D

NOTES:

- 1) "FCI", PART NUMBER AND DATE CODE TO BE MARKED ON THIS SURFACE.
THE P/N CAN BE OMITTED IF THERE IS NOT ENOUGH SPACE ON THIS SURFACE.
- 2) MATERIALS:
-HOUSING - GLASS FILLED WITH HIGH TEMP THERMOPLASTIC, UL94V-0.
-SIGNAL CONTACT - COPPER ALLOY.
-POWER CONTACT - HIGH CONDUCTIVITY COPPER ALLOY.
- 3) PLATING SPECIFICATION REFER TO FCI 10116351
- 4) DENOTES CONNECTOR KEEP OUT ZONE.
- 5) DATUM AND BASIC DIMENIONS WERE ESTABLISHED BY CUSTOMER.
- 6) ALL HOLE DIAMETERS ARE FINISHED HOLE SIZES.
- 7) 1.15 ± 0.025 MM DRILLED HOLE PLATED WITH 0.00762MM MIN Sn
OVER 0.0254-0.0762MM Cu PLATING TO ACHIEVE A 1.02 ± 0.07 MM HOLE.
- 8) PRODUCT SPECIFICATION REFER TO FCI GS-12-658.
APPLICATION SPECIFICATION REFER TO FCI GS-20-141.
PRODUCT PACKAGED IN TRAYS, REFER TO FCI GS-14-1502.
- 9) THE VOID CORING IN BETWEEN POWER MODULES, SIGNAL
MODULES AND END MODULES ARE OPTIONAL AND THE SHAPE
MAY BE DIFFERENT FOR OPTIMIZE THE MOLDING PROCESS. THE
VOID CORING WILL NOT EFFECT TO PRODUCT FUNCTION.



Copyright FCI.

dr	Peng-Bing Fu	2013/03/12	projection 	MM 	size	A3	scale	1:1	
eng	Peng-Bing Fu	2013/05/07			ecn no	-			
chr	-	-			rel level	Released			
appr	Pei-Ming Zheng	2013/05/07	product family	PowerBlade+					
		20S + 5ACP			dwg no	10106123-5005001		rev	A
www.fci.com		cat. no.	Product - Customer Drw		sheet 3 of 3				