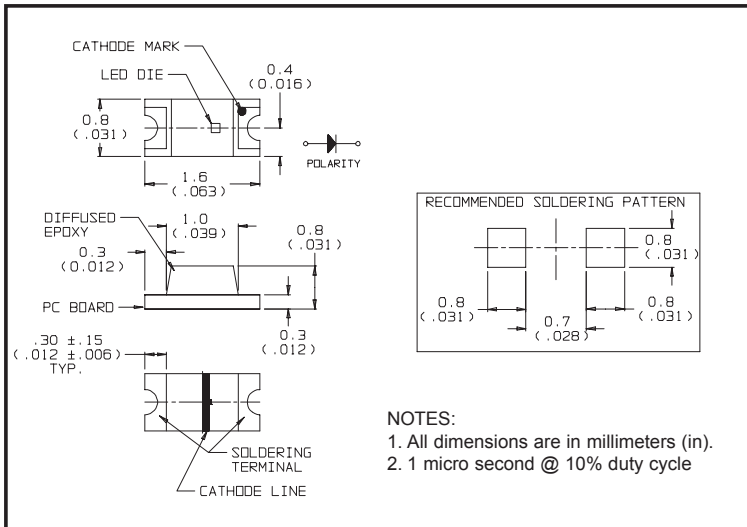


## CMDA6 Series 0603 Package Size Surface Mount LED

### Description and Features



#### Features

- Small size
- Industry standard 0603 Footprint
- Compatible with IR solder profiles
- Ideal for use with Light Pipes
- Diffused optics
- Top emitting
- Available in 8 mm
- Tape on 7" diameter reels
- Packaged 4,000 pieces per reel
- RoHS Compliant

#### Applications

- Keypad backlighting
- Push-button backlighting
- LCD backlighting
- Symbol backlighting
- Front panel indicator

## Electro-Optical Characteristics and Ratings

Part Number	Output Color	Diffusion	Package Color	Test Current (mA)	Forward Voltage Typ. (V)	Forward Voltage Max. Typ. (V)	Luminous Intensity Min. (mcd)	Luminous Intensity Typ. (mcd)	Peak Wavelength (nm)	Viewing Angle 28 1/2 (°)
CMDA6AY7D1S	Green	Diffused	Clear	20	2.2	2.6	4.0	15	570	170
CMDA6DR7D1S	Red	Diffused	Clear	20	1.8	2.6	6.3	17	660	170

## Absolute Maximum Ratings to = 25°C

Part Number	Power Dissipation (mW)	Operating Temperature (°C)	Storage Temperature (°C)	Peak Forward Current Max. (See note 2) (mA)	Reverse Voltage (IR = 100 mA) (V)	Lead Solder Time at 230°C (Seconds)
AY	52	-30 to +85	-40 to +85	100	5	10
DR	65	-30 to +85	-40 to +85	100	5	10