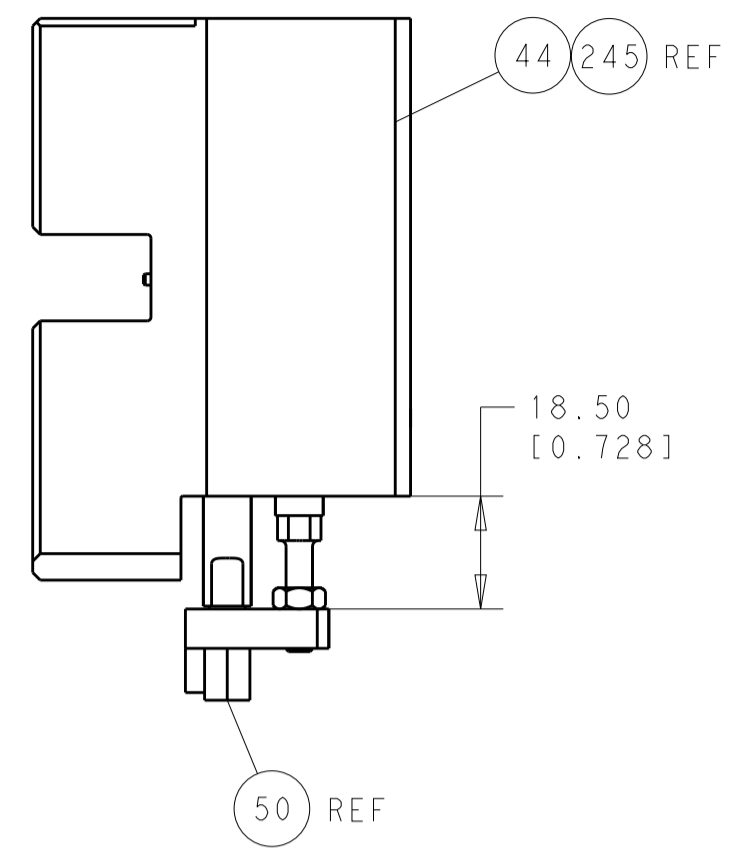
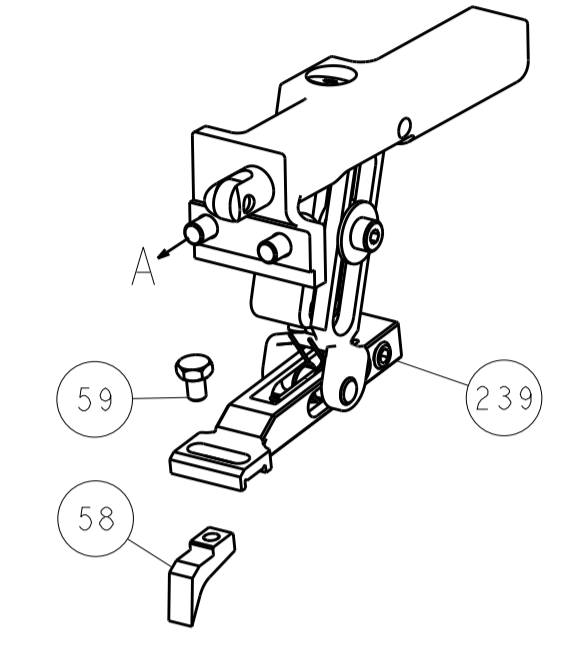


LOC	DIST	REV	DATE	BY	APPV
A	66				
REVISIONS			DESCRIPTION	DATE	BY
			SEE SHEET 1		

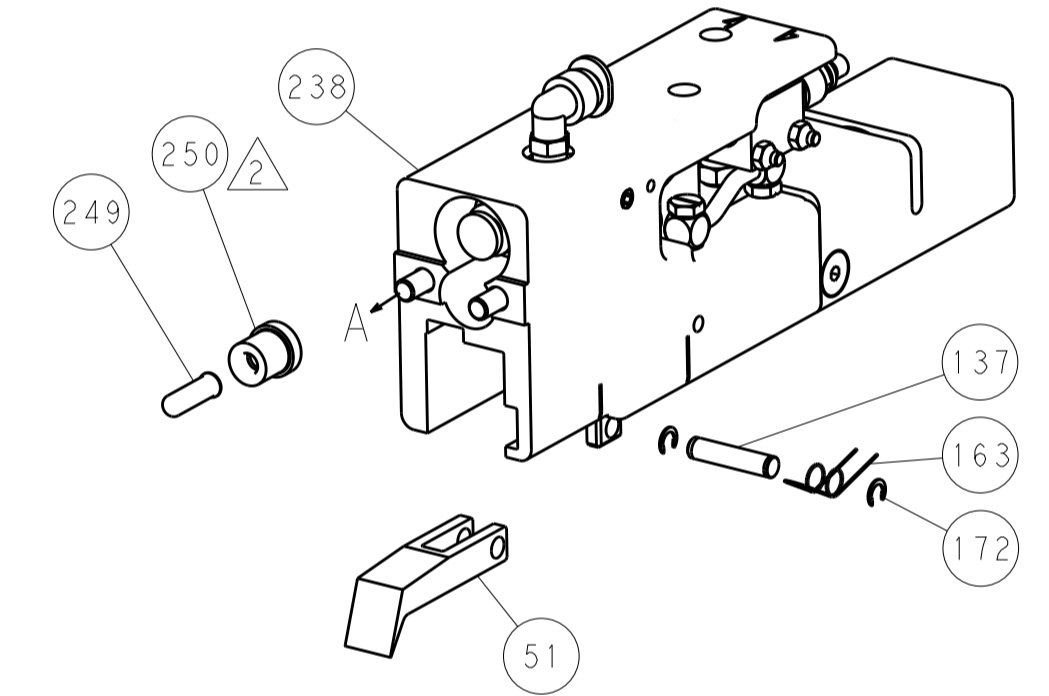


HOLDDOWN SET-UP

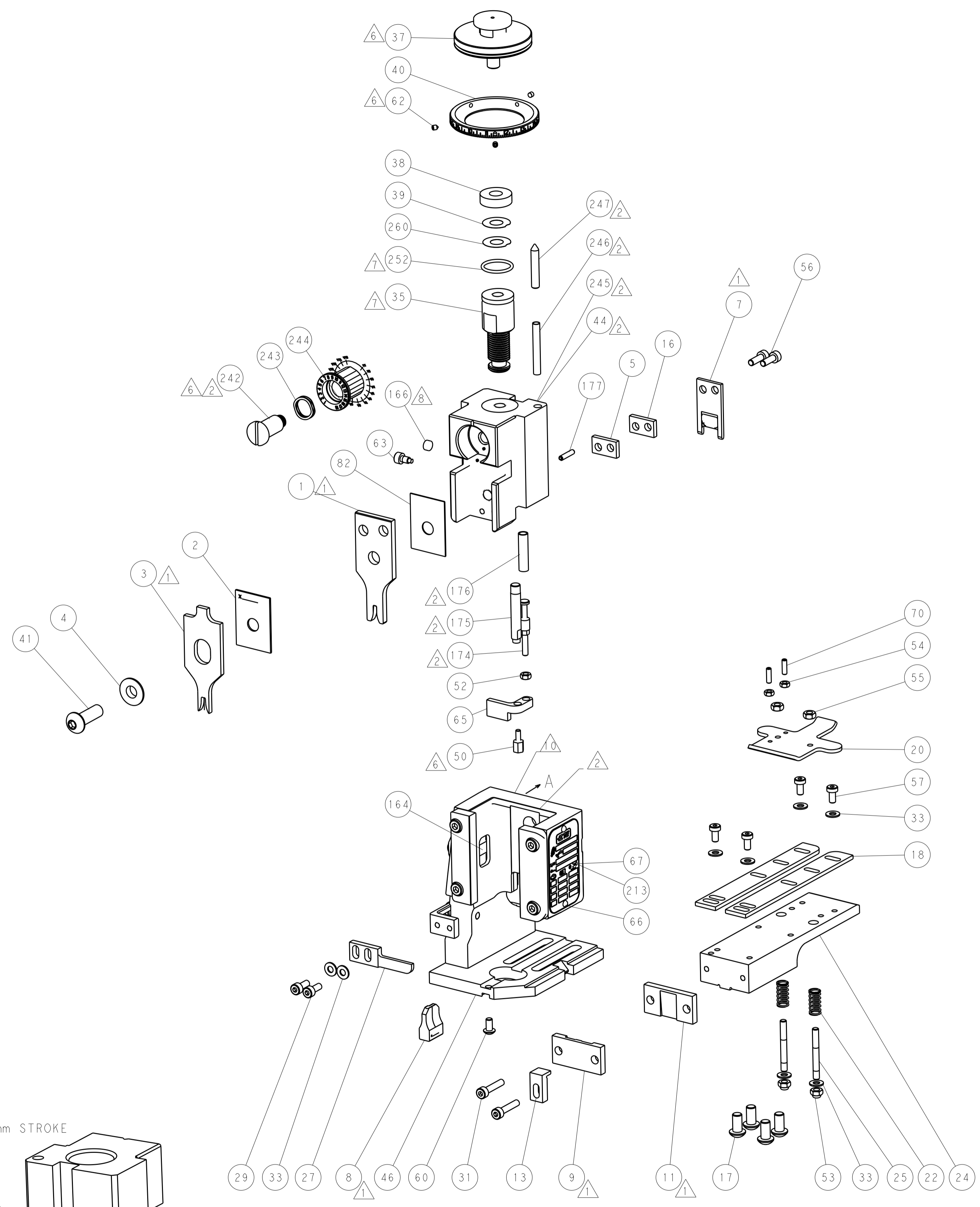
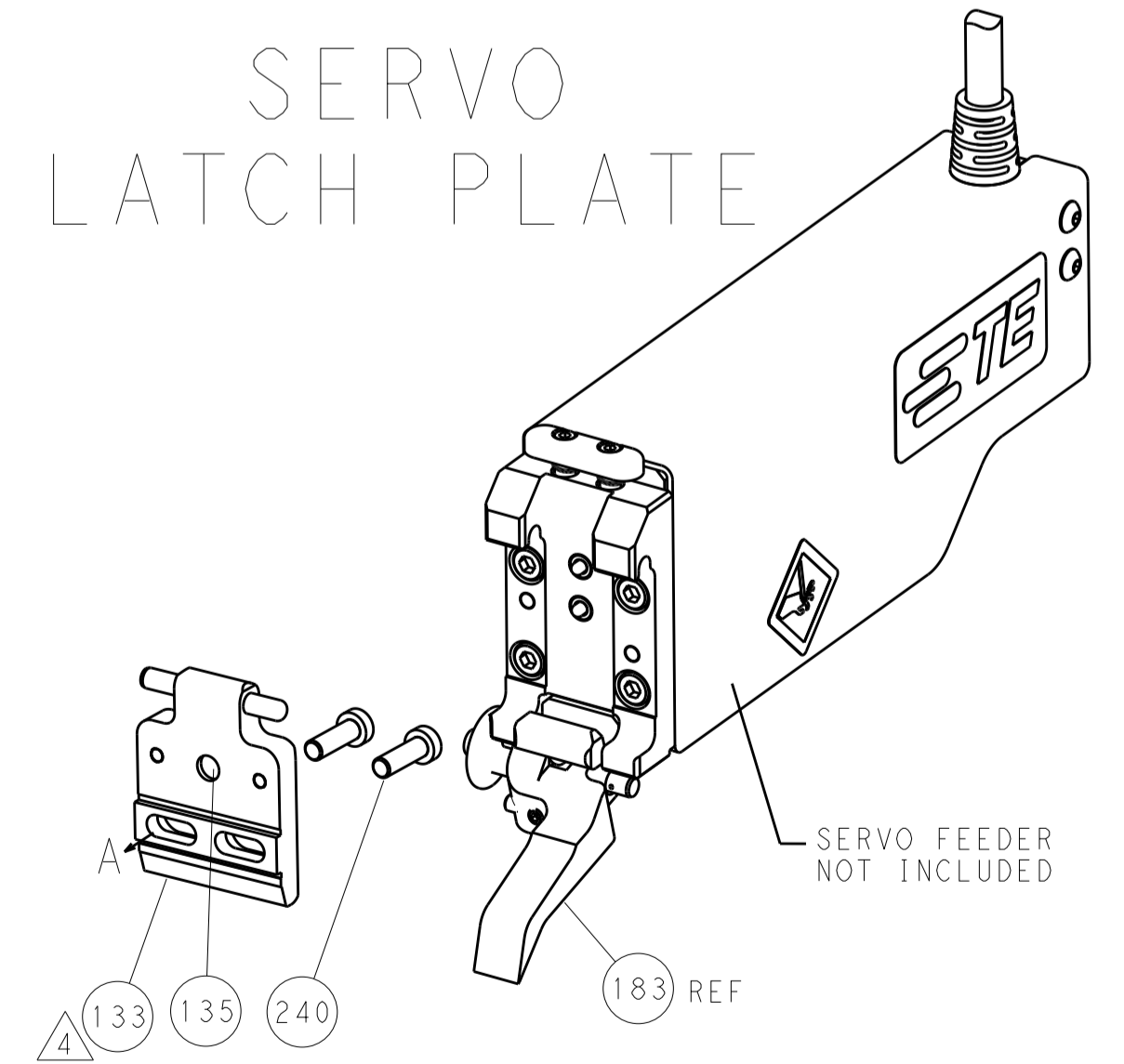
FEED TYPE
MECHANICAL



PNEUMATIC



SERVO
LATCH PLATE



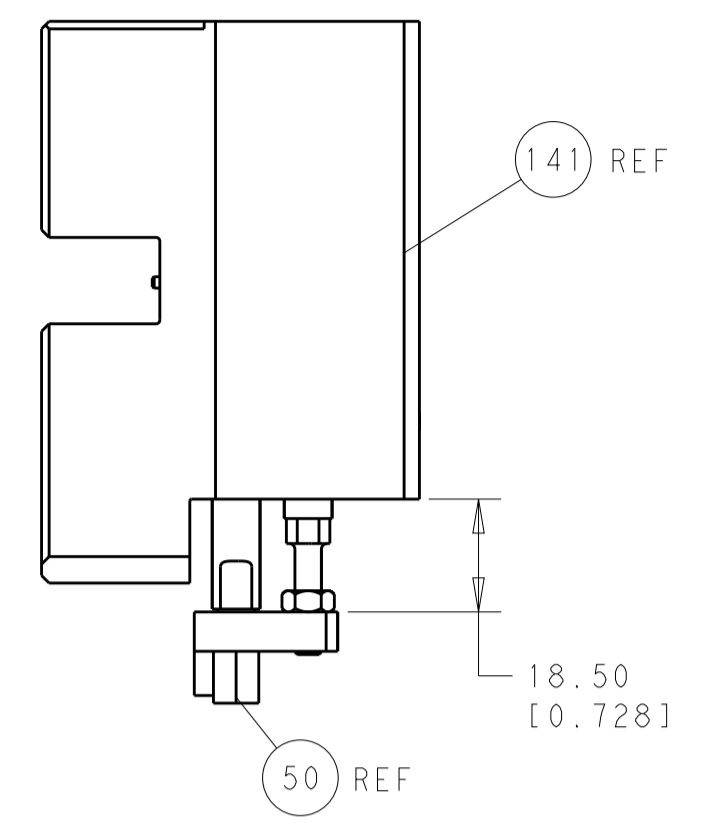
CAM POSITIONS



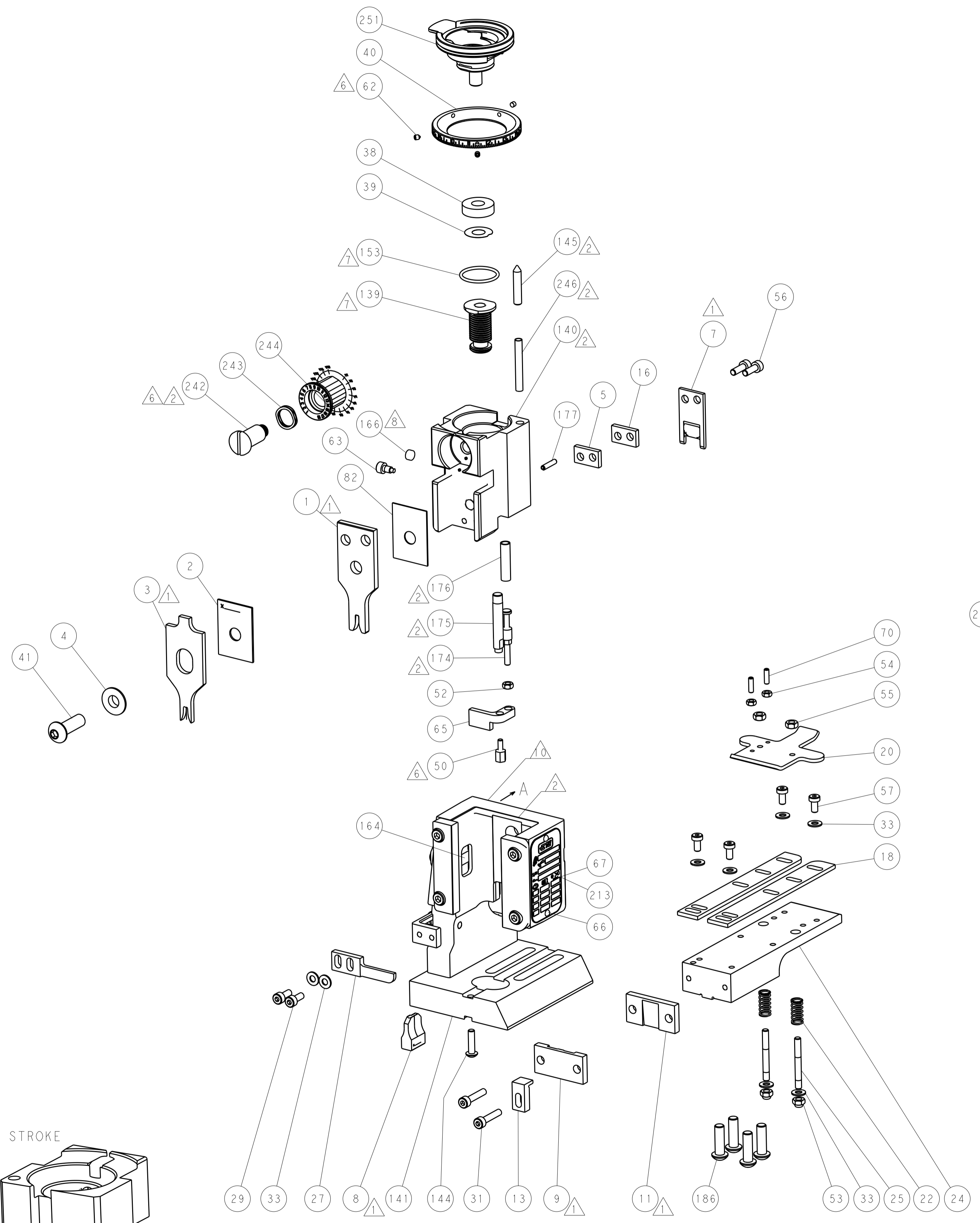
ATLANTIC VERSION
 Shown on sheets 1 of 4 & 2 of 4
 (Pacific version shown on sheets 3 of 4 & 4 of 4)

DIMENSIONS:		TOLERANCES UNLESS OTHERWISE SPECIFIED:		DWG: Y. YIN 13FEB2012		TE Connectivity	
mm		0 PLC ±0.5		CHK: G. BAILEY 13FEB2012		Harrisburg, PA 17105-3608	
Ø		1 PLC ±0.13		APPV: S. XI 13FEB2012		NAME: Ocean End Feed Applicator	
H		3 PLC ±0.013		PRODUCT SPEC		SIZE: CAGE CODE DRAWING NO	
A		4 PLC ±0.001		APPLICATION SPEC		RESTRICTED TO	
ANGLES		FINISH		WEIGHT		A1 00779 ©=2150064	
MATERIAL		Customer Accessible Production Drawing		SCALE: 1:1		SHEET 2 OF 4 REV A	

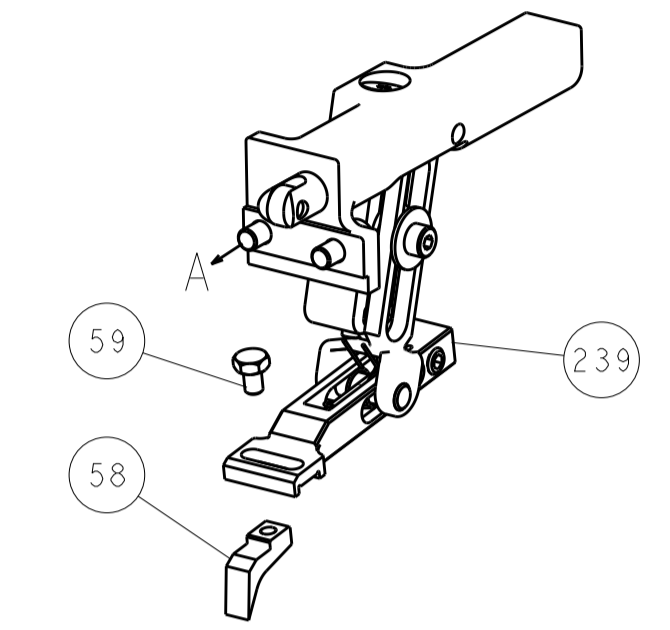
LOC		DIST		REVISIONS			
A	66	P	LTM	DESCRIPTION	DATE	DWN	APVD
				SEE SHEET 1			



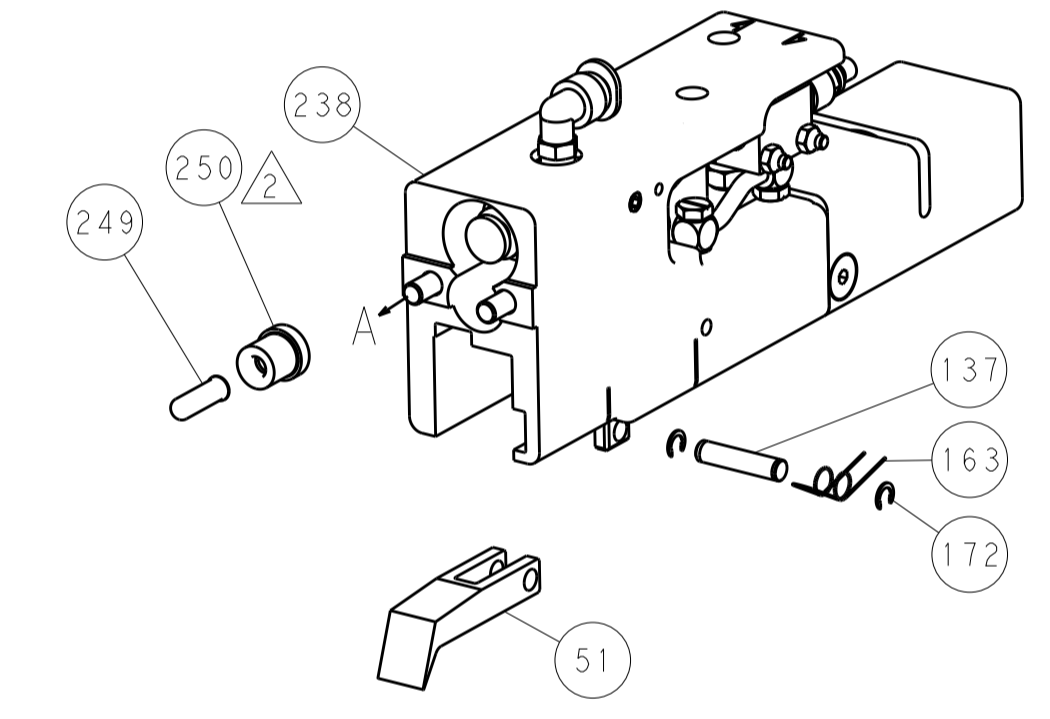
HOLDDOWN SET-UP



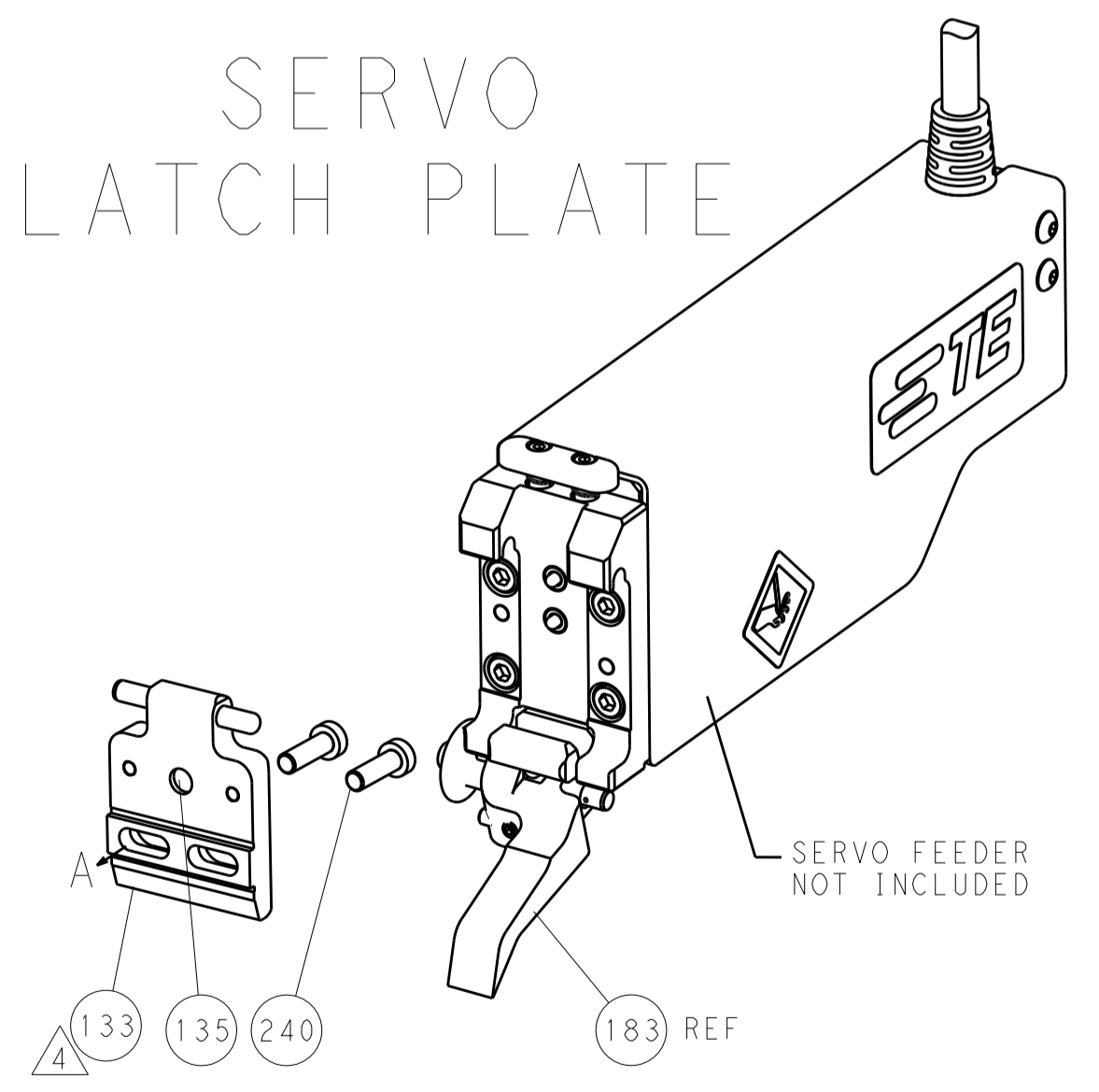
FEED TYPE
MECHANICAL



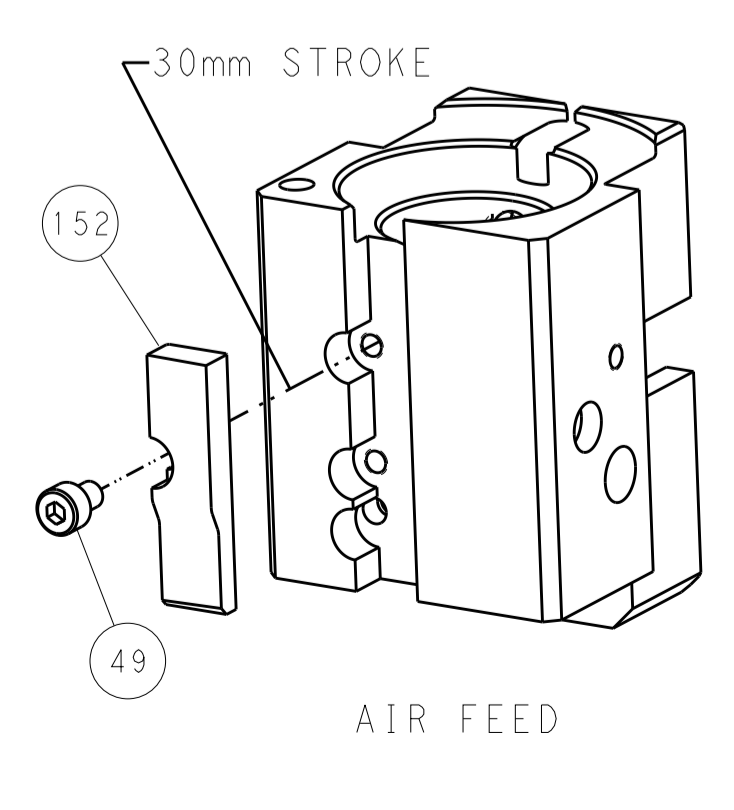
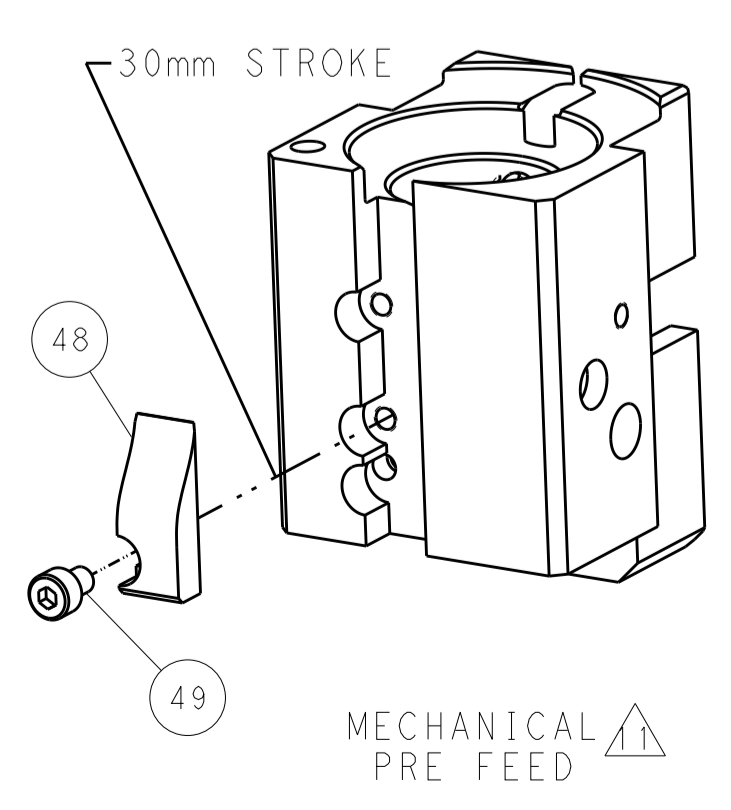
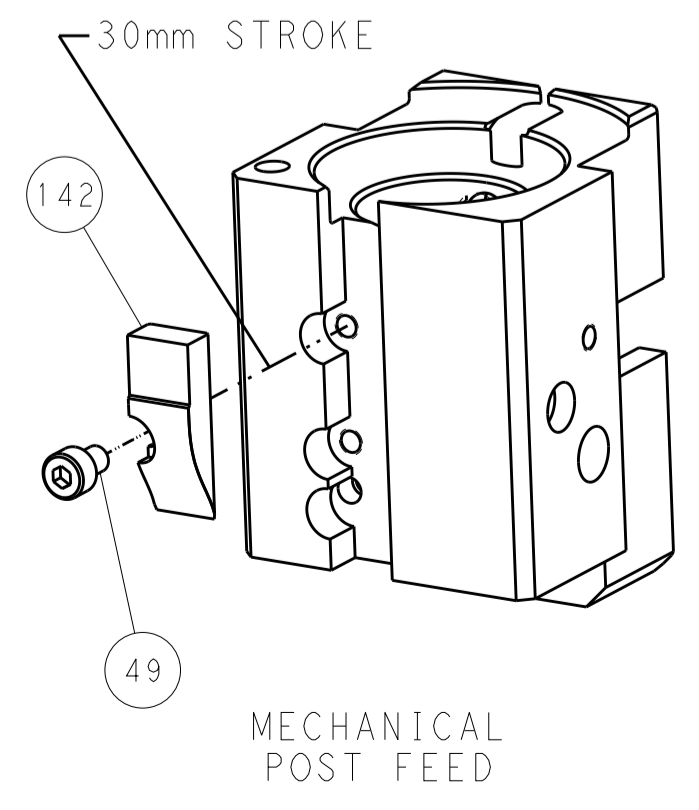
PNEUMATIC



SERVO
LATCH PLATE



CAM POSITIONS



PACIFIC VERSION
Shown on sheets 3 of 4 & 4 of 4
(Atlantic version shown on sheets 1 of 4 & 2 of 4)

DIMENSIONS:		TOLERANCES UNLESS OTHERWISE SPECIFIED:		DWN Y. YIN 13FEB2012		STE TE Connectivity Harrisburg, PA 17105-3608	
mm	0 PLC ±0.5	1 PLC ±0.5	2 PLC ±0.13	3 PLC ±0.013	4 PLC ±0.001	APVD S. XI 13FEB2012	NAME Ocean End Feed Applier
MATERIAL	FINISH	WEIGHT	SCALE	SIZE	CAGE CODE	DRAWING NO	RESTRICTED TO
			1:1	A1	00779	2150064	
Customer Accessible Production Drawing				SHEET	4	OF	4
				REV	A		