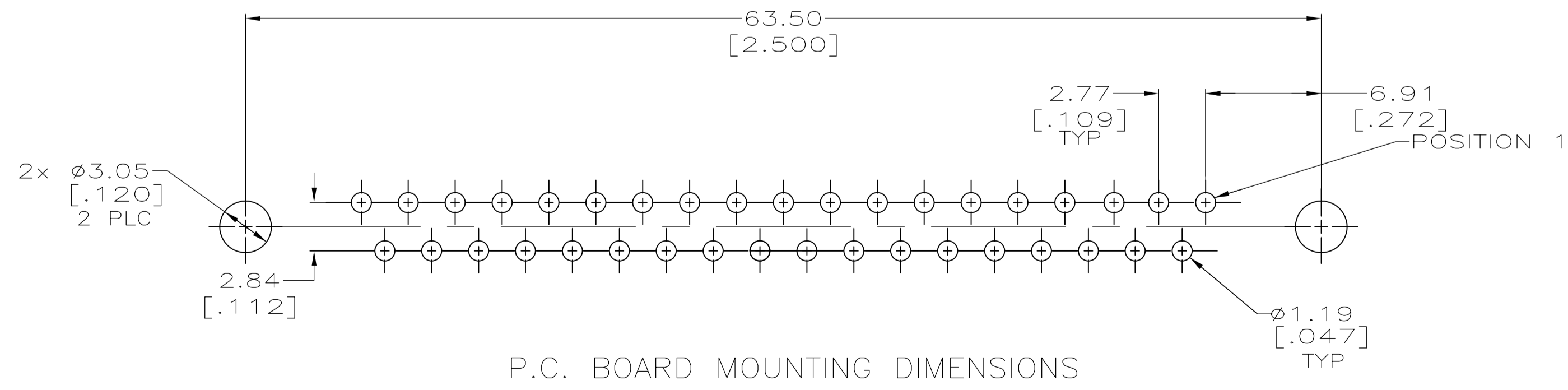
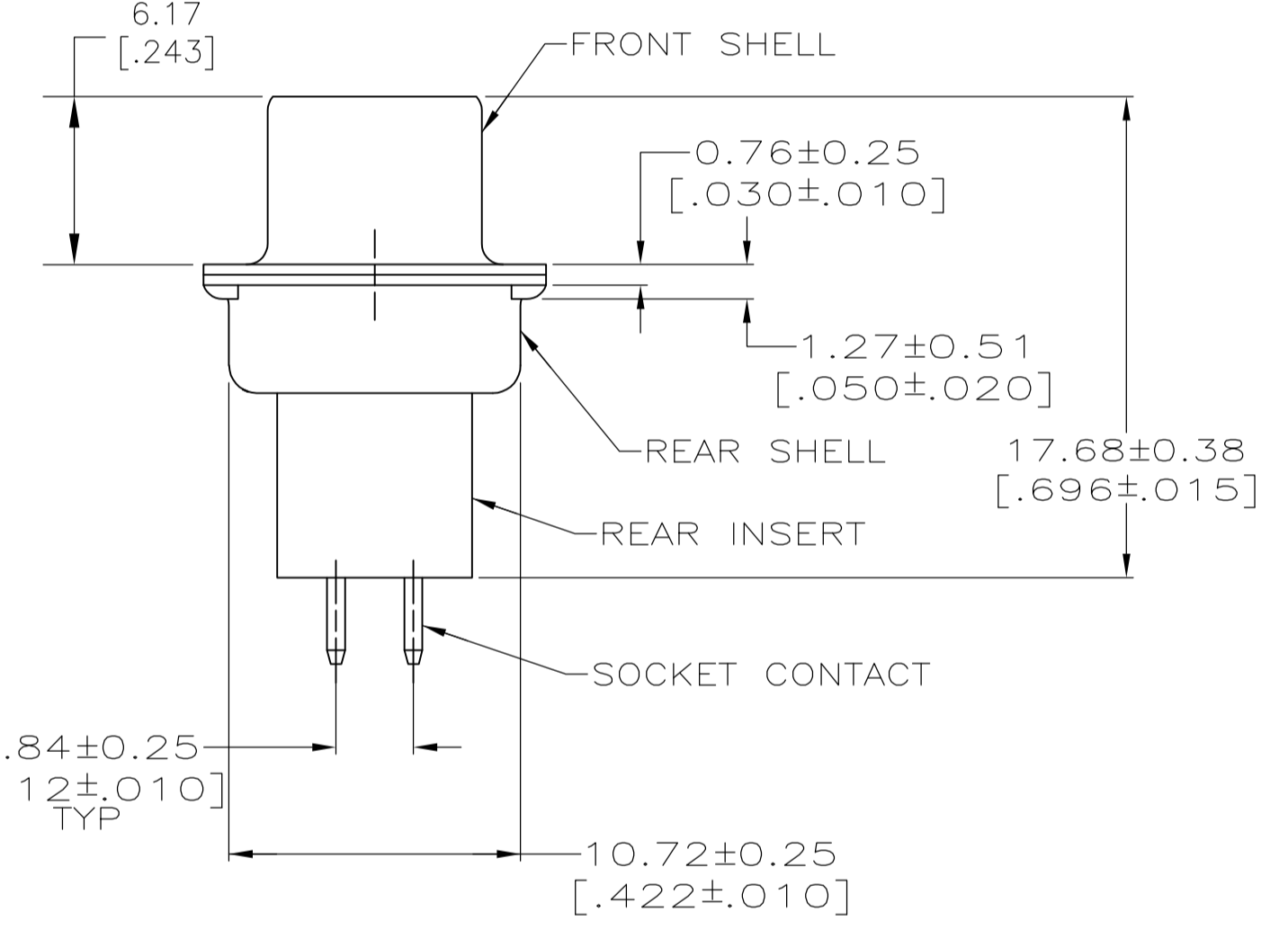
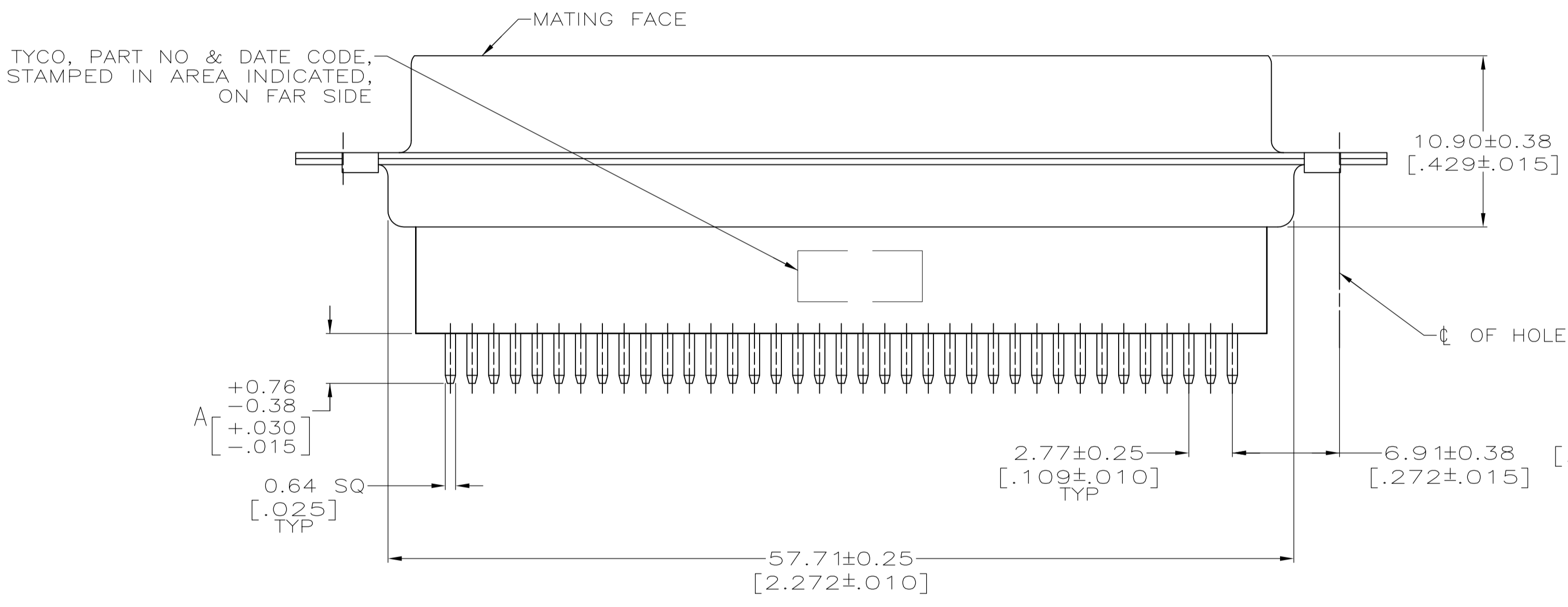


⚠ INSERTS: FLAME RETARDANT 94V-0 RATED THERMOPLASTIC; BLACK.  
 SHELLS: CARBON STEEL.  
 CONTACTS: PHOS BRONZE.

⚠ SHELLS: 5.08µm [0.00200] MIN TIN OVER 2.54µm [0.00100] MIN COPPER.  
 CONTACTS: 0.76µm [0.00030] MIN GOLD ON MATING SOLDER END, 2.54µm [0.00100] MIN TIN ON SOLDER END, 1.27µm [0.00050] MIN NICKEL  
 -OR-  
 GOLD FLASH OVER PALLADIUM-NICKEL 0.76µm [0.00030] MIN TOTAL ON MATING END, 2.54µm [0.00100] MIN TIN ON SOLDER END, 1.27µm [0.00050] MIN NICKEL.



P.C. BOARD MOUNTING DIMENSIONS

4.78 [0.188]	5745189-7
3.18 [0.125]	5745189-1
DIM A	PART NUMBER

THIS DRAWING IS A CONTROLLED DOCUMENT.		DIN B. LATTUCA 14SEPT05	Tyco Electronics Corporation Harrisburg, PA 17105-3608
DIMENSIONS: INCHES		CHK S. BOLASH 14SEPT05	
TOLERANCES UNLESS OTHERWISE SPECIFIED:		APP'D M. WALMSLEY 14SEPT05	NAME RECEPTACLE ASSY, SIZE 4, 37 POS, VERTICAL, AMPLIMITE HDP
0 PLC ± -		PRODUCT SPEC 108-40025	
1 PLC ± -		APPLICATION SPEC 114-40013	SIZE A1
2 PLC ± 0.13 [0.005]		WEIGHT -	
3 PLC ± -		CUSTOMER DRAWING	SCALE NTS
4 PLC ± -		RESTRICTED TO	SHEET 1 OF 1
ANGLES ± °		REV C	