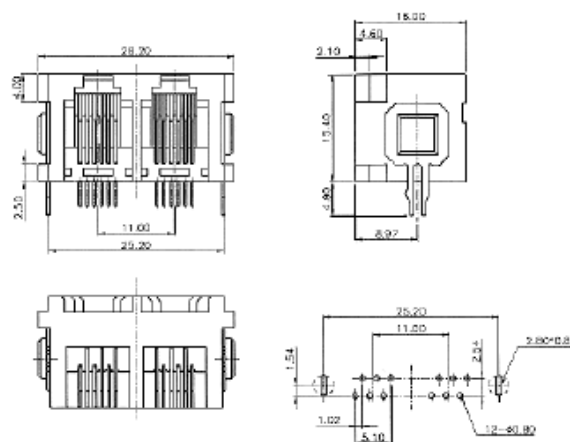




Multi-Port With Metal Board Locks

2 To 6 Contacts - 2 To Twelve Ports



Dimensions	No. of Ports											
	2	3	4	5	6	7	8	9	10	11	12	
A	23.3 0.92	34.3 1.3	45.3 1.78	56.3 2.22	67.3 2.65	78.3 3.08	89.3 3.52	100.3 3.95	111.3 4.38	122.3 4.82	133.3 5.25	
B	23.5 0.93	34.5 1.36	45.5 1.79	56.5 2.22	67.5 2.66	78.5 3.09	89.5 3.52	100.5 3.96	111.5 4.39	122.5 4.82	133.5 5.26	
C	11.0 0.43	22.0 0.86	33.0 1.299	44.0 1.732	55.0 2.165	66.0 2.598	77.0 3.031	88.0 3.465	99.0 3.898	110.0 4.331	121.0 4.764	

Materials

Housing: Standard Material Glass filled Polyester UL94V-0
Standard Color Medium Gray

Contact: 0.46mm Diameter Alloy C5210. Gold Plating Over Nickel.

Gold Plating: As Per Customer Request

Ordering Information

Positions/ Contacts	RoHS	Description	Part Number
4P2C	✓	Multi-Port Solderable Board Lock Jack	301542B-*
4P4C	✓	Multi-Port Solderable Board Lock Jack	301544B-*
6P2C	✓	Multi-Port Solderable Board Lock Jack	301562B-*
6P4C	✓	Multi-Port Solderable Board Lock Jack	301564B-*
6P6C	✓	Multi-Port Solderable Board Lock Jack	301566B-*

Standard contact plating is 15 micro inches of gold. For optional platings add dash number as follows:

-6 = 6 Micro inches

-30 = 30 Micro inches

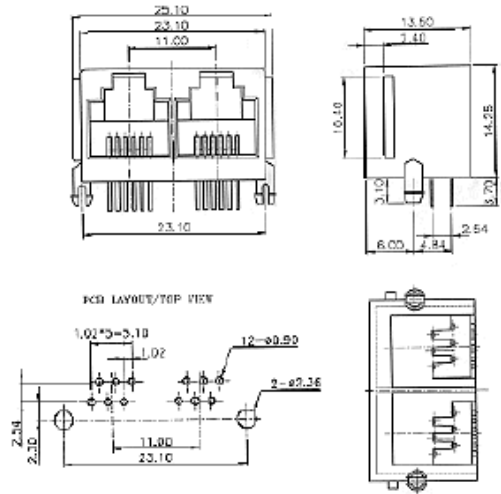
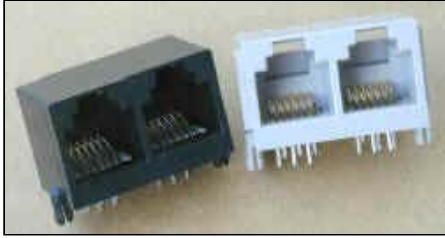
* Add -02 for 2 port, -03 for 3 port, etc.
Two to twelve ports available.

✓ RoHS compliant wave solder only



Multi-Port Press Fit

2 To 6 Contacts - 2 To Twelve Ports



No. of Ports											
Dimensions	2	3	4	5	6	7	8	9	10	11	12
A	28.2	34.3	45.3	56.3	67.3	78.3	89.3	100.3	111.3	122.3	133.3
	1.11	1.35	1.78	2.22	2.65	3.08	3.52	3.95	4.38	4.82	5.25
B	23.0	34.0	45.0	56.0	67.0	78.0	89.0	100.0	111.0	122.0	133.0
	0.90	1.34	1.77	2.20	2.64	3.07	3.50	3.94	4.37	4.80	5.24
C	11.0	22.0	33.0	44.0	55.0	66.0	77.0	88.0	99.0	110.0	121.0
	0.433	0.866	1.299	1.732	2.165	2.598	3.031	3.465	3.898	4.331	4.764

Materials

Housing: Standard Material Glass Filled Polyester UL 94V-0
Standard Color Medium Gray

Contact: 0.46mm Diameter Alloy C5210. Gold Plating Over Nickel.

Gold Plating: As Per Customer Request

Ordering Information

Positions/ Contacts	ROHS	Description	Part Number
4P2C	✓	Multi-Port Press-Fit Jack	301642-*
4P4C	✓	Multi-Port Press-Fit Jack	301644-*
6P2C	✓	Multi-Port Press-Fit Jack	301662-*
6P4C	✓	Multi-Port Press-Fit Jack	301664-*
6P6C	✓	Multi-Port Press-Fit Jack	301666-*

Standard contact plating is 15 micro inches of gold. For optional platings add the dash numbers as follows:

- 6 = 6 Micro inches
- 30 = 30 Micro inches

-50 = 50 Micro inches

S

✓ RoHS compliant wave solder only

* Add -02 for 2 port, -03 for 3 port, etc. Two to twelve ports available

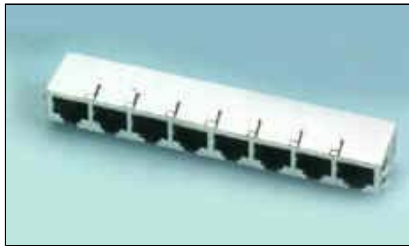
FOR TECHNICAL SUPPORT: PHONE 973-347-4040 / FAX973-347-2111

[Back to Index](#)

14



Single and Multi Port Jacks



Non-Shielded, Shielded and Shielded with Grounding Tabs are available.

Single position and up to twelve positions are standard as listed below in these moderate profile RJ45 jacks.

Materials

Shielded: 0.35mm Thickness Alloy C5210. Tin Plating Over Nickel in Solder Area

Housing: Standard Material: Glass Filled Polyester UL 94V-O
Standard Color Black

Contact: 0.35mm (0.014") Thickness Alloy C5210. Gold Plating Over Nickel in Contact Area

Gold Plating: 0.76 um / 30 u inch

Ordering Information

Click Part Numbers Listed Below For Detailed Drawings

Ports	RoHS	Unshielded	Shielded	Shielded W/ Ground Tabs
1	✓	301201	301201S	301201ST
2	✓	301202	301202S	301202ST
4	✓	301204	301204S	301204ST
5	✓	301205	301205S	N/A
6	✓	301206	301206S	301206ST
8	✓	301208	301208S	301208ST
10	✓	301210	301210S	301210ST
12	✓	301212	301212S	N/A

S

S

✓ RoHS compliant wave solder only

FOR TECHNICAL SUPPORT: PHONE 973-347-4040 / FAX973-347-2111

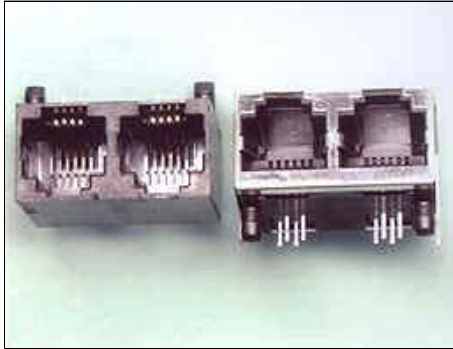
[Back to Index](#)

15

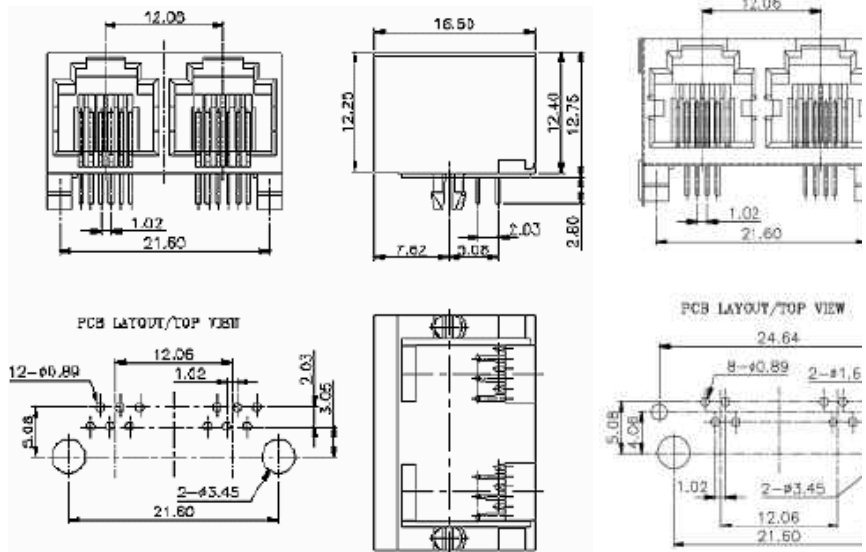


Multi Port RJ11 & RJ12 Jacks

4 Contact and 6 Contact



Non-Shielded



Materials

Housing: Standard Material ZYTEL FR-550 UL 94V-0
Standard Color Black

Contact: 0.35mm (0.014") Thickness Alloy C5210. Gold Plating Over Nickel Over Tin

Gold Plating: 0.76u m / 30 u inch

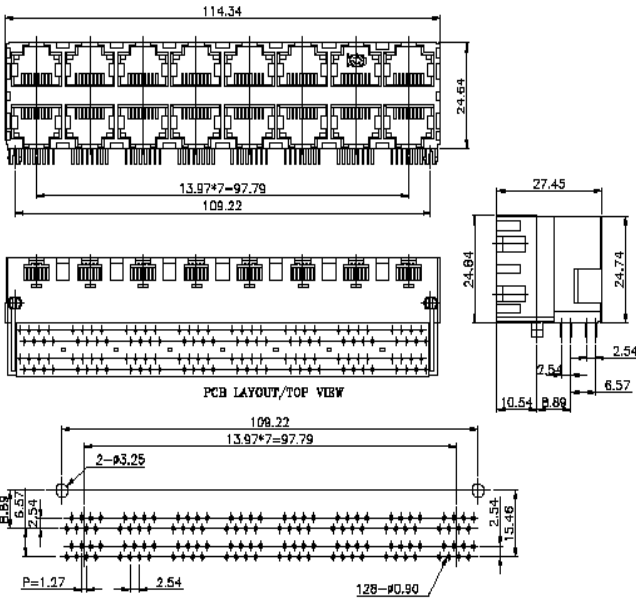
Ordering Information

Contacts	RoHS	Description	Non-Shielded	Shielded
6P4C	✓	2 Port RJ11, 6 Position, 4 Contact Each Port	306504	306504S
6P6C	✓	2 Port RJ12, 6 Position, 6 Contact Each Port	306506	306506S

✓ RoHS compliant wave solder only



Dual Row Multi Port Right Angle



S
S
S

Standard contact plating is 15 micro inches of gold. For optional platings add dash number as follows:
-30 = 30 Micro inches
-50 = 50 Micro inches

S
S

Materials

- Shielded:** 0.25mm Thickness Copper Alloy with Tin Plated
- Housing:** Standard Material Glass Filled Polyester UL 94V-0
Standard Color Black
- Contact:** 0.35mm (0.014") Diameter Alloy C5210. Gold Plating Over Nickel Over Tin.
- Gold Plating:** As Per Customer Request

Ordering Information

Ports/ 2 High by Wide	RoHS	Non-Shielded	Shielded	Shielded W/ Tabs
1 (2)	✓	302201	302201S	302201ST
2 (4)	✓	302202	302202S	302202ST
4 (8)	✓	302204	302204S	302204ST
5 (10)	✓	302205	N/A	N/A
6 (12)	✓	302206	302206S	302206ST
8 (16)	✓	302208	302208S	302208ST

Click Part Number
for Drawing

S

S ✓ RoHS compliant wave solder onlyRoHS compliant wave solder onl

