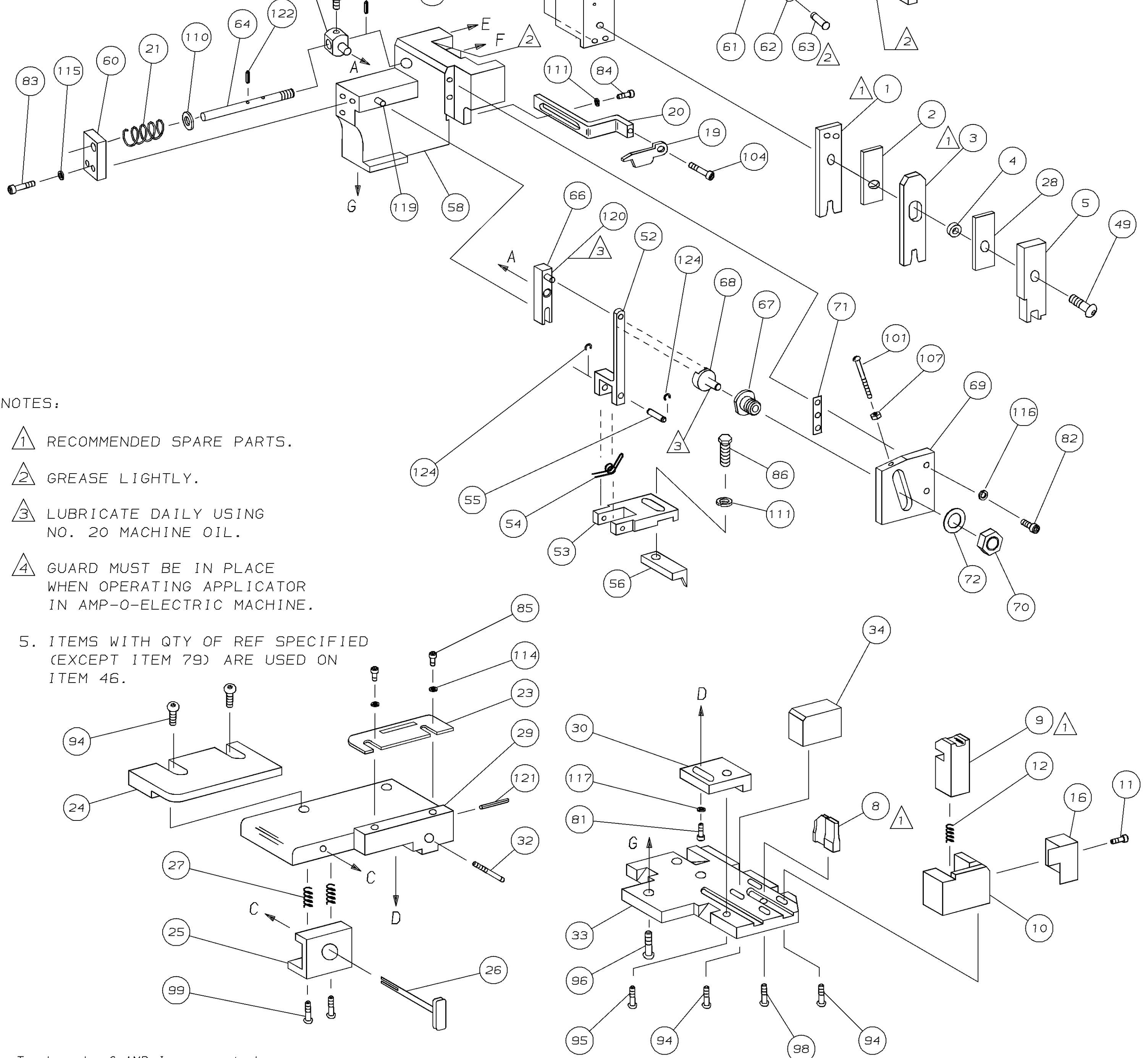
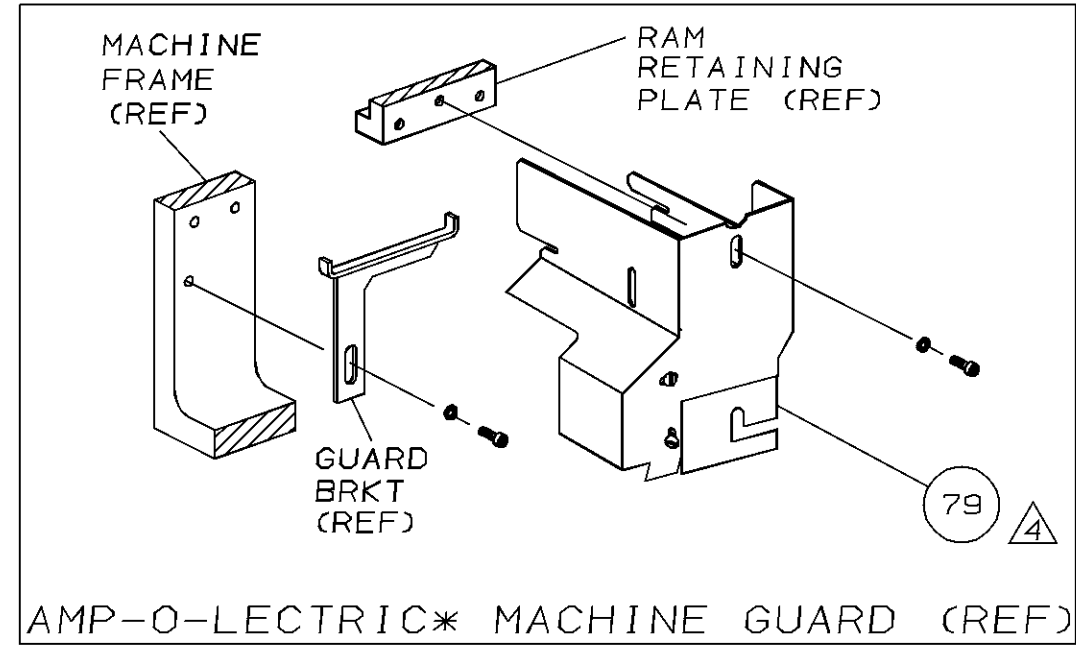
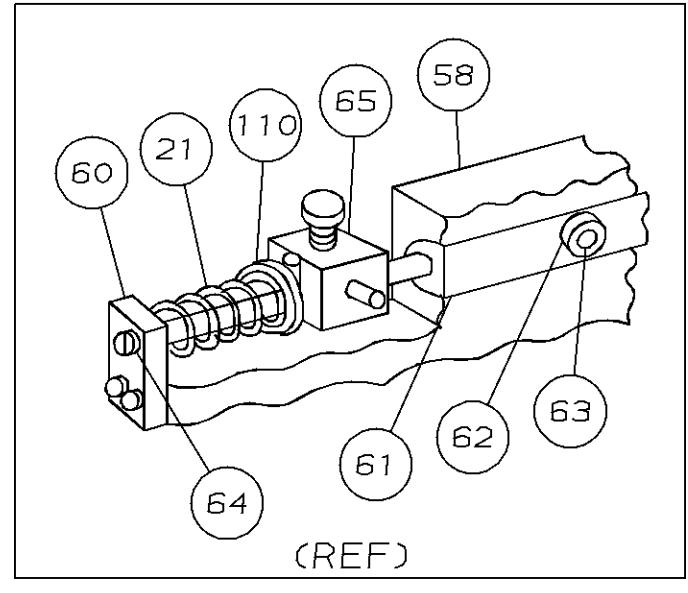
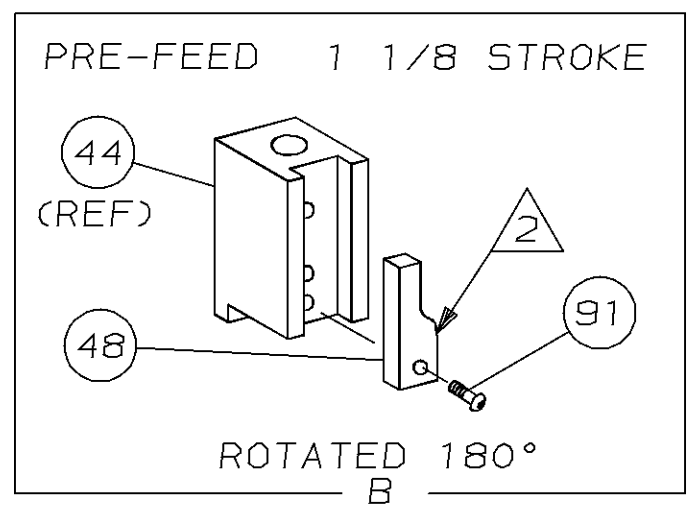


THIS DRAWING IS A CONTROLLED DOCUMENT FOR AMP INCORPORATED. IT IS SUBJECT TO CHANGE AND THE CONTROLLING ENGINEERING ORGANIZATION SHOULD BE CONTACTED FOR THE LATEST REVISION.



- NOTES:
- 1 RECOMMENDED SPARE PARTS.
 - 2 GREASE LIGHTLY.
 - 3 LUBRICATE DAILY USING NO. 20 MACHINE OIL.
 - 4 GUARD MUST BE IN PLACE WHEN OPERATING APPLICATOR IN AMP-O-ELECTRIC MACHINE.
 - 5. ITEMS WITH QTY OF REF SPECIFIED (EXCEPT ITEM 79) ARE USED ON ITEM 46.

THIS INFORMATION IS CONFIDENTIAL AND IS DISCLOSED TO YOU ON CONDITION THAT NO FURTHER DISCLOSURE IS MADE BY YOU TO OTHER THAN AMP PERSONNEL WITHOUT WRITTEN AUTHORIZATION FROM AMP INCORPORATED, HARRISBURG, PA.

| REF | 21045-3 | RING, RET "C" (.187ø) FEED FINGER PIN | 124 | REF | 454220-1 | CAP, HOUSING | 59 |
|-----|-----------|--|-----|-----|------------|------------------------------|----|
| | | | 123 | REF | 454485-1 | HOUSING | 58 |
| REF | 5-21028-1 | PIN, SLT SPR (.125øx.50) ADJ ROD | 122 | | | | 57 |
| 1 | 4-21028-0 | PIN, SLT SPR (.093øx.75) ST GUIDE PL | 121 | 1 | 690542-2 | PAWL, FEED | 56 |
| REF | 1-21030-1 | PIN, DOWEL (.187øx.50) LEVER | 120 | REF | 240624-1 | PIN, FEED FINGER | 55 |
| REF | 1-21030-6 | PIN, DOWEL (.187øx1.25) HOUSING | 119 | REF | 691499-1 | SPRING, FEED FINGER | 54 |
| | | | 118 | REF | 690541-1 | FINGER, FEED | 53 |
| 1 | 21024-5 | WASHER, LOCK (NO. 10) ADJ BLOCK | 117 | REF | 455679-1 | LEVER, TERMINAL FEED ARM | 52 |
| REF | 21024-5 | WASHER, LOCK (NO. 10) ADJ PLATE | 116 | 1 | 811242-2 | BUMPER, HOLDDOWN | 51 |
| REF | 21024-5 | WASHER, LOCK (NO. 10) FEED GUIDE ROD | 115 | 1 | 690753-1 | SPACER, TONKER | 50 |
| 2 | 21024-2 | WASHER, LOCK (NO. 4) FRONT STRIP GUIDE | 114 | 1 | 7-21002-9 | BOLT, CRIMPER (5/16-24x1.00) | 49 |
| | | | 113 | 1 | 690602-5 | CAM, PRE-FEED 1 1/8 STROKE | 48 |
| | | | 112 | | | | 47 |
| 4 | 21024-4 | WASHER, LOCK (NO. 8) STRIPPER | 111 | 1 | 459456-1 | APPLICATOR, BASIC (SUBASSY) | 46 |
| REF | 21899-4 | WASHER, FLAT (5/16 DIA) SCREW ADJ | 110 | 1 | 690191-1 | PLUG, NYLON | 45 |
| | | | 109 | 1 | 455673-1 | RAM | 44 |
| 1 | 21018-5 | NUT, HEX (NO. 6) HOLDDOWN | 108 | 1 | 690125-1 | WASHER, LAMINATED | 43 |
| REF | 21018-5 | NUT, HEX (6-32) FEED ADJ | 107 | 1 | 690124-1 | WASHER, RAM | 42 |
| | | | 106 | | | | 41 |
| | | | 105 | 2 | 23241-6 | BALL, STEEL | 40 |
| 1 | 456567-1 | SCR, SHLD (.188øx.125) STRIPPER | 104 | 2 | 690170-1 | SPRING, COMPRESSION | 39 |
| 1 | 21009-2 | SCR, SKT SET (1/4-20x.25) LOC-WEL) RAM | 103 | 1 | 690142-1 | DISC, INSULATION | 38 |
| 2 | 21017-2 | SCR, DRIVE (#2x.19) ID PLATE | 102 | 1 | 692155-6 | DISC, WIRE | 37 |
| REF | 6-23715-5 | SCR, PAN HD (6-32x1.50) FEED ADJ | 101 | 1 | 22480-5 | WASHER, SPRING | 36 |
| 1 | 461264-1 | PLATE, IDENTIFICATION | 100 | 1 | 690212-1 | POST, RAM | 35 |
| 2 | 3-21002-0 | SCR, BHC (10-32x.88) DRAG | 99 | 1 | 690786-1 | SUPPORT, TERMINAL | 34 |
| 1 | 22733-8 | SCR, BHC (8-32x.38) LOC-WEL) ANVIL | 98 | REF | 455675-1 | PLATE, BASE | 33 |
| REF | 2-21002-9 | SCR, BHC (10-32x.75) CAP | 97 | 1 | 690432-3 | SCREW, ADJUSTMENT | 32 |
| REF | 2-22733-8 | SCR, BHC (1/4-20x.62) HOUSING | 96 | | | | 31 |
| REF | 2-21002-7 | SCR, BHC (10-32x.50) SG ADJ BLOCK | 95 | REF | 455689-1 | BLOCK, STRIP GUIDE ADJ | 30 |
| 6 | 2-21002-2 | SCR, BHC (8-32x.50) SHEAR | 94 | 1 | 455671-1 | PLATE, STRIP GUIDE | 29 |
| | | | 93 | 1 | 455888-8 | SPACER, FRONT SHEAR DEP | 28 |
| | | | 92 | 2 | 1-22284-0 | SPRING, DRAG | 27 |
| 1 | 1-21002-7 | SCR, BHC (6-32x.38) CAM | 91 | 1 | 690546-1 | LEVER, DRAG RELEASE | 26 |
| | | | 90 | 1 | 240792-1 | DRAG, STOCK | 25 |
| | | | 89 | 1 | 6-690504-2 | GUIDE, STRIP (REAR) | 24 |
| | | | 88 | 1 | 690438-1 | GUIDE, STRIP (FRONT) | 23 |
| 2 | 2-21000-8 | SCR, SKT CAP (8-32x.62) HOLD DOWN | 87 | | | | 22 |
| 1 | 2-22603-0 | SCR, HEX HEAD (8-32x.31) FEED FINGER | 86 | REF | 4-22284-9 | SPRING, FEED RETURN | 21 |
| 2 | 1-21000-3 | SCR, SKT CAP (4-40x.25) F STRIP GUIDE | 85 | 1 | 458950-1 | ARM, STRIPPER | 20 |
| 1 | 2-21000-7 | SCR, SKT CAP (8-32x.50) STRIPPER | 84 | 1 | 458949-1 | STRIPPER | 19 |
| REF | 3-21000-7 | SCR, SKT CAP (10-32x.75) FEED ROD GD | 83 | | | | 18 |
| REF | 3-21000-6 | SCR, SKT CAP (10-32x.62) FEED ADJ BLK | 82 | | | | 17 |
| 1 | 3-21000-4 | SCR, SKT CAP (10-32x.38) SG ADJ BLK | 81 | 1 | 691667-1 | GUARD, CHIP (FRONT) | 16 |
| REF | 3-21000-4 | SCR, SKT CAP (10-32x.38) PIVOT BLOCK | 80 | | | | 15 |
| REF | 455749-1 | GUARD, WINDOW | 79 | | | | 14 |
| | | | 78 | | | | 13 |
| | | | 77 | 1 | 5-22280-0 | SPRING, SHEAR | 12 |
| | | | 76 | 1 | 690461-1 | STOP, SHEAR | 11 |
| | | | 75 | 1 | 690459-1 | HOLDER, SHEAR (FRONT) | 10 |
| 2 | 690603-1 | SPRING, ASSIST | 74 | 1 | 454276-1 | SHEAR, FLOAT (FRONT) | 9 |
| 2 | 23030-1 | SCR, SKT CAP (6-32x.25) CP DISC | 73 | 1 | 6-803653-8 | ANVIL | 8 |
| REF | 458109-1 | WASHER, SPECIAL | 72 | 1 | 6-240641-9 | SPACER, HOLD-DOWN | 7 |
| REF | 690517-1 | SPACER | 71 | | | | 6 |
| REF | 22594-8 | NUT, HEX | 70 | 1 | 455889-9 | DEPRESSOR, SHEAR (FRONT) | 5 |
| REF | 240628-1 | PLATE, ADJUSTMENT | 69 | 1 | 238011-6 | SPACER, TUBULAR | 4 |
| REF | 240626-1 | SHAFT, PIVOT | 68 | 1 | 5-456135-3 | CRIMPER, INSULATION | 3 |
| REF | 240633-1 | BUSHING | 67 | 1 | 455888-3 | SPACER, CRIMPER | 2 |
| REF | 455680-1 | LEVER, INTERMEDIATE | 66 | 1 | 1-456405-5 | CRIMPER, WIRE | 1 |
| REF | 240629-1 | BLOCK, PIVOT | 65 | | | | |
| REF | 240632-2 | SCREW, ADJUSTMENT FEED ROD | 64 | | | | |
| REF | 240659-3 | PIN, CAM ROLLER | 63 | | | | |
| REF | 240658-1 | ROLLER, CAM | 62 | | | | |
| REF | 454398-2 | ROD, FEED | 61 | | | | |
| REF | 454178-1 | GUIDE, FEED ROD | 60 | | | | |

| | | | |
|------------------------------|--|----------------|-----|
| REMARKS | | NO | REV |
| APPL USED ON MACHINE PART NO | | DISTRIBUTION | |
| CUSTOMER NAME | | ORIGINAL | |
| ADDRESS | | CUSTOMER COPY | |
| CITY | | FIELD ENG COPY | |

| CRIMPING DATA | | | | APPLICATOR WILL APPLY | |
|------------------|----------------------------|---------------------|-------------------|-----------------------|--|
| PAD LTR | CRIMP HEIGHT | WIRE SIZE | WIRE STRIP LENGTH | 927886 | |
| A | .051 | 18 | | | |
| B | .046 | 20 | | | |
| C | NOT USED | | | | |
| D | NOT USED | | | | |
| CRIMP SIZE | TYPE | FEED | APPL INST | | |
| WIRE .080 | F | .500 | AI 8040 | | |
| INSUL .110 | 0 | | | | |
| WIRE RANGE 20-18 | INSULATION RANGE .055-.090 | MACHINE NO 565435-5 | | | |

AMP-O-ELECTRIC PRE-FEED

SET UP GAGE 10-1 458637-1 L1308
 DR 7/20/88 APPR-10-88
 C ERISMAN B. WOLFE
 CHK 7-30-88 REL 5/14/96
 C ERISMAN B. MORAN

AMP INCORPORATED Harrisburg, Pa.

LOC A NO 567287-2 REV B

NAME MINIATURE QUICK CHANGE APPLICATOR SIDE FEED (C111 SOCKET)