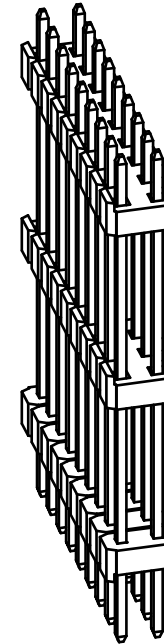
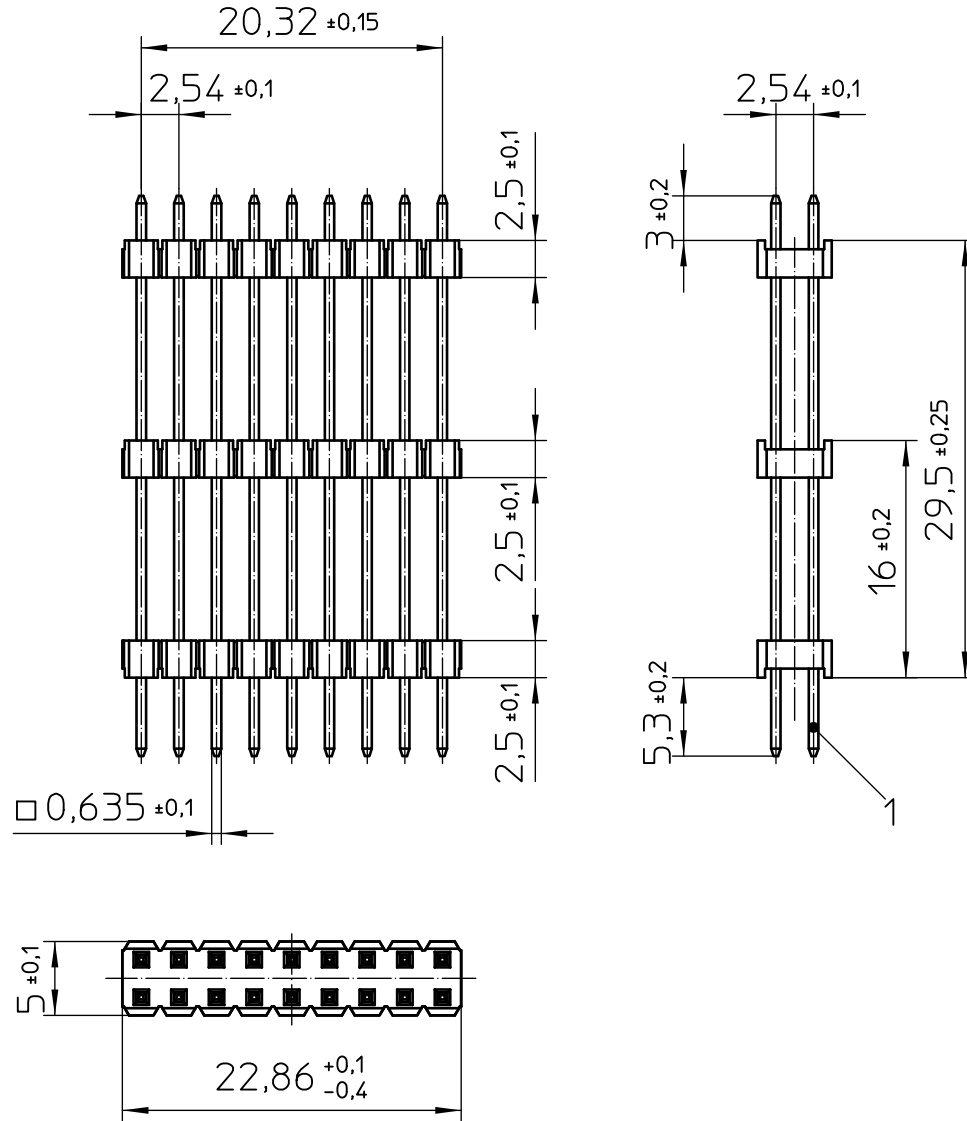


Weitergabe sowie Vervielfältigung dieses Dokuments, Verwertung und Mitteilung seines Inhalts sind verboten, soweit nicht ausdrücklich gestattet. Zuwiderhandlungen verpflichten zu Schadenersatz. Alle Rechte für den Fall der Patent-, Gebrauchsmuster- oder Designeintragung vorbehalten.



Transfer or duplication of this document as well as the utilisation or communication of its content are not permitted unless express consent is granted. Violations give rise to claims for damages. All rights reserved in case of patent, utility model or design patent registrations.



General Information

- Simplified representation
- Document excluded from change process
- Linear dimensions [mm]
- Further information: www.phoenixcontact.com webcode: #0664
- Recommended application RPI-BC Housing series: bus connector
- Recommended PCB hole dimension: $\phi 1,02$
- Contact area: gold plated

1 contact side

 DIN A4	document-No. / RI 00926971 / 00	date 15.04.2016	scale 2:1
		ident.-No. 2202993	document-type Customer drawing
page 1 of 1	description PSTD 0,65X0,65/18-3IS-2,54		