

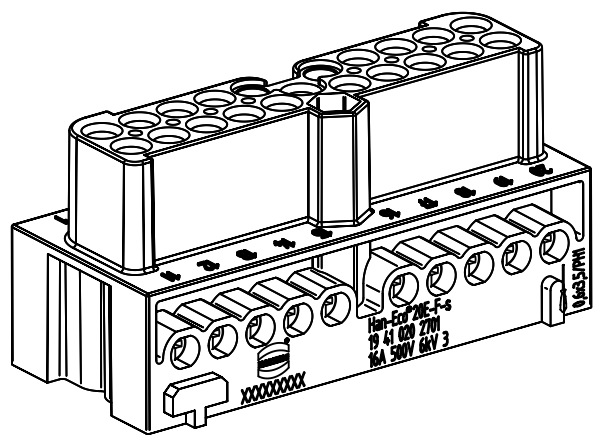
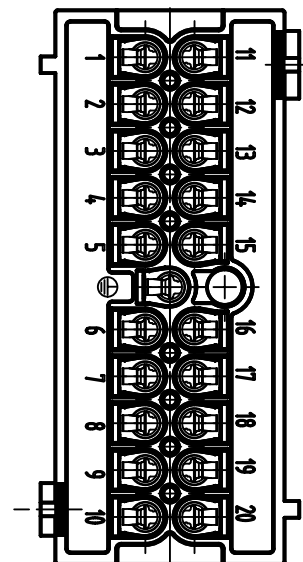
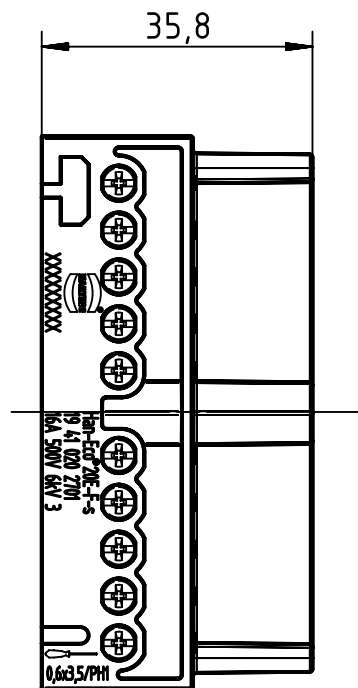
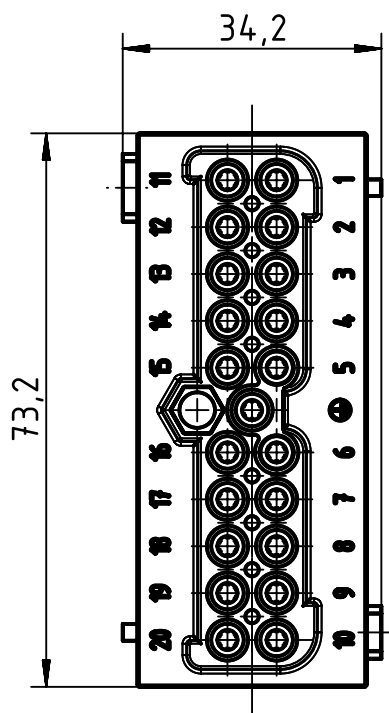
1 2 3 4 5 6

A

B

C

D



	All Dimensions in mm Original Size DIN A4		Scale 1:1	Free size tol.		Ref.		
						Sub.		
	All rights reserved		Created by MOELLERLI	Inspected by SUNDERMEIER	Standardisation TIEMANNA	Date 2013-10-24	State Final Release	
	Department EL PD - DE		Title Han Eco 20E-F-s			Doc-Key / ECM-Nr. 100219300/UGD/002/B 500000067209		
HARTING Electric GmbH & Co. KG D-32339 Espelkamp			Type TB	Number 19 41 020 2701			Rev. B	Page 1/1