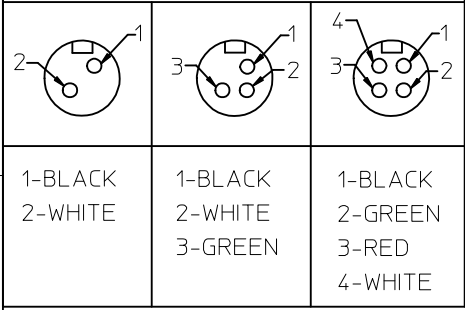
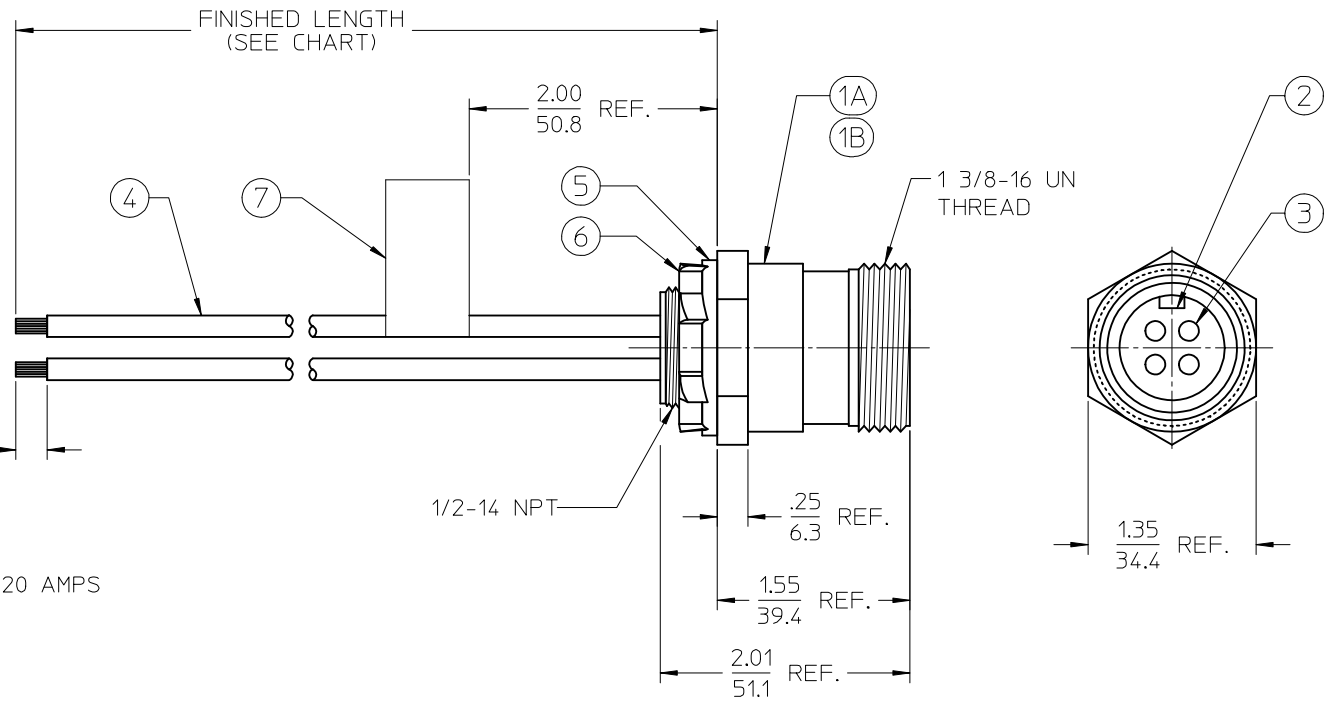


MALE FACE VIEW



- |                    |                               |  |
|--------------------|-------------------------------|--|
| 1-BLACK<br>2-WHITE | 1-BLACK<br>2-WHITE<br>3-GREEN | 1-BLACK<br>2-GREEN<br>3-RED<br>4-WHITE |
|--------------------|-------------------------------|--|

POLES	MATERIAL NO.	ENGINEERING NO.	FINISHED LENGTH
2	1300030011	32032	12.00 +.75-0 (305mm +19mm-0)
3	1300030026	32357	12.00 +.75-0 (305mm +19mm-0)
4	1300030051	32680	12.00 +.75-0 (305mm +19mm-0)



- NOTES:
1. MATERIAL: SEE TABLE
  2. FINISHES: SEE TABLE
  3. ELECTRICAL SPECIFICATIONS  
VOLTAGE RATING: 600V AC/DC  
CURRENT RATING: 2P-25 AMPS, 3P-25 AMPS, 4P-20 AMPS
  4. XX REFERS TO POLE COUNT
  5. PROTECTION: IP67
  6. ASSEMBLY IS RoHS COMPLIANT BY EXEMPTION

ITEM	QTY.	DESCRIPTION	MATERIAL	FINISH
7	1	FLAG LABEL	VINYL	BLACK/YELLOW
6		LOCKNUT	STEEL	ZINC PLATED
5	1	GASKET	NEOPRENE	BLACK
4	XX	WIRE, 12 AWG, UL 1015	PVC INSULATION	SEE FACE VIEW
3	XX	CONTACT PIN	Cu ALLOY	UN-PLATED
2	1	INSERT	RUBBER	YELLOW
1B	1	RECEPTACLE SHELL	OPT: ALUMINUM	CLEAR ANODIZE
1A	1	RECEPTACLE SHELL	NYLON	BLACK

NEW SALES DOC  
 EC NO: IPG2013-0795  
 DRAWN BY: DRWHRSTONE 2012/11/28  
 CHECKED: K JOZWIK 2013/01/16  
 APPR: JF MURPHY 2013/03/01

QUALITY SYMBOLS  
 ▽=0  
 ▽=0

GENERAL TOLERANCES (UNLESS SPECIFIED)

	mm	INCH
4 PLACES	± .005	± .0004
3 PLACES	± .003	± .0002
2 PLACES	± .002	± .0001
1 PLACE	± 0.3	± .012
0 PLACE	± .001	± .0001

ANGULAR ± 2 °

DRAFT WHERE APPLICABLE MUST REMAIN WITHIN DIMENSIONS

DIMENSION STYLE: IN/MM

SCALE: 1:1

DESIGN UNITS: INCH

THIRD ANGLE PROJECTION

TITLE: QUICK CHANGE RECEPTACLE MALE 2-3 POLE, 12 AWG

DRAWN BY: RSTONE DATE: 2012/11/28

CHECKED BY: K JOZWIK DATE: 2013/01/16

APPROVED BY: JF MURPHY DATE: 2013/03/01

MATERIAL NO. SEE CHART

DOCUMENT NO. SD-130003-004

SHEET NO. 1 OF 1