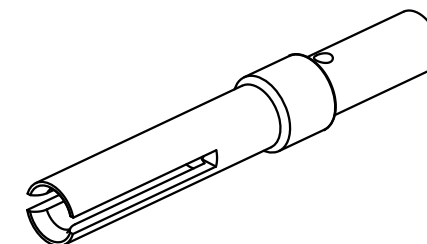
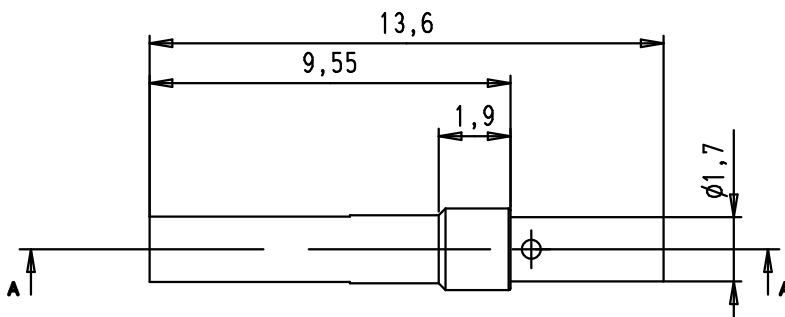


Crimping of AWG 24-28 : hand tool 09 99 000 0501  
and locator 09 99 000 0531



A

5000	09 67 000 7476 580	PL1
	09 67 000 7475 580	S4
100	09 67 000 7476	PL1
	09 67 000 7475	S4
Bulk packaging	Part number	Gold plating (over nickel)

			Mod.	Dot.	Name
Detail.	12apr2010	LP			
Insp.					
Stand.					
EC01739	29apr2010	LP			
EC01656	12apr2010	LP			
					HARTING EURL F-95972 Paris

All Dim. in mm  
Orig. Size DIN A 4

D-Sub	AWG 24-28
female turned crimp contact	
TB09 67 000 747x	
Sub.	

Maßstab/ Scale	5/1
Blatt/ Page	1/1