



**Technical specification:**

Rated voltage: 300 V  
IEC 60664-1

Overvoltage category: 2  
IEC 60664-1

Overvoltage: 2,7 kV  
IEC 60664-1

Current rating: 12 A  
IEC 60512-3 at 40°C

Insulation resistance: >=100 MΩ  
IEC 60512

Pollution degree: 3/2  
IEC 60664-1

Degree of protection: IP 67, in mated condition  
IEC 60529

Temperature range: -30°C ... +75°C  
IEC 60664-1

Mating cycles: >=100  
IEC 60512-9a

**Materials:**

Contact: CuZn

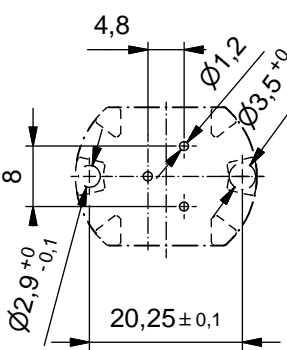
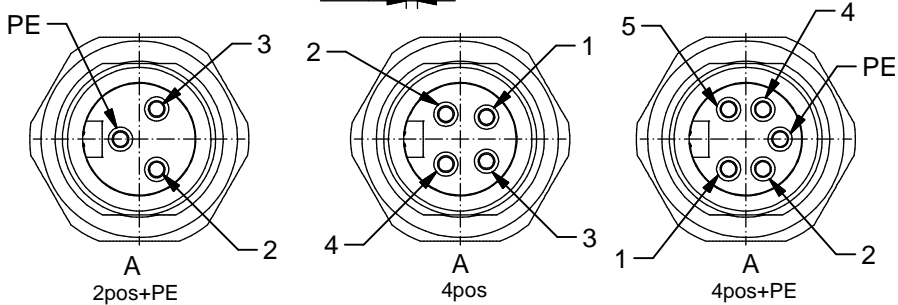
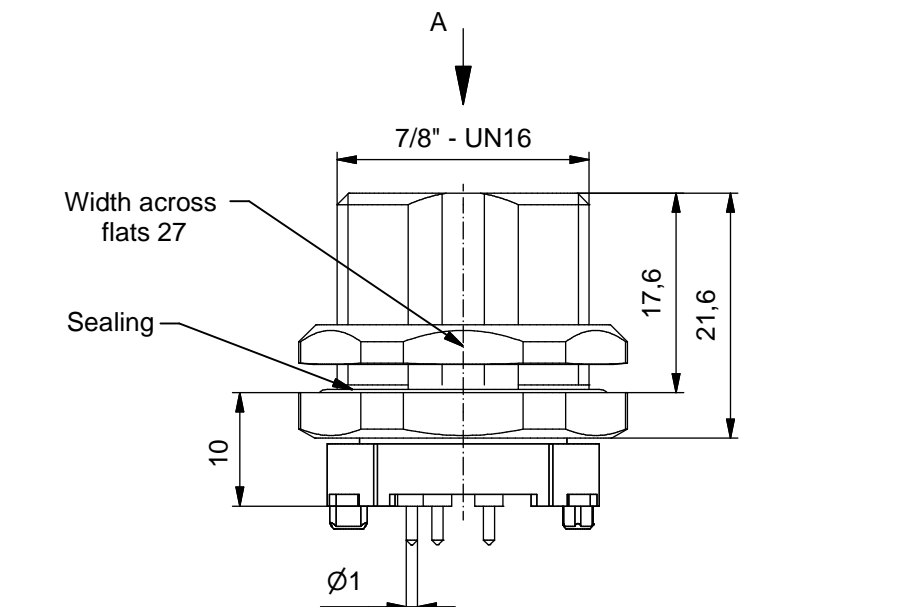
Contact plating: Nickel, gold plated

Contact carrier: TPU, UL 94

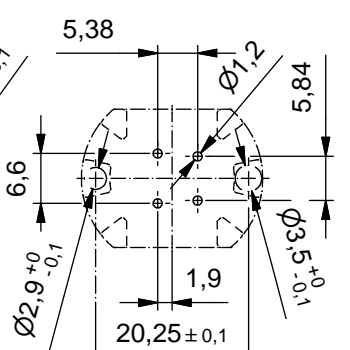
Sealing: FPM

Socket housing: CuZn, nickel plated

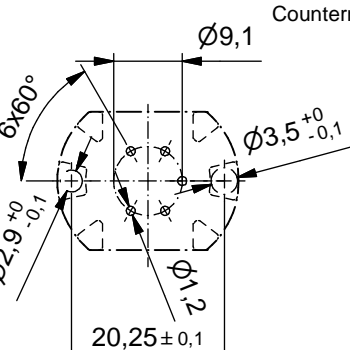
Counternut: CuZn, nickel plated



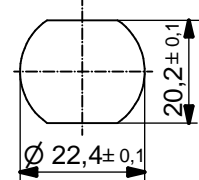
Pin layout PCB



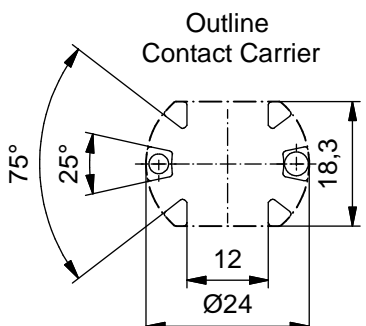
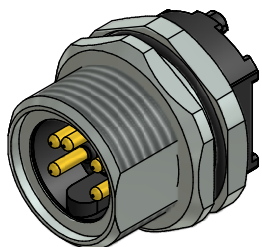
Pin layout PCB



Pin layout PCB



Minimum wall thickness 2,5mm, alternativ panel cut-out d=22,4



Part no:	Description:	Pos
41-40048	SAL - 7/8 - FSH2PE - X10	3
41-40049	SAL - 7/8 - FSH4 - X10	4
41-40050	SAL - 7/8 - FSH4PE - X10	5

DO NOT ALTER CAD DRAWING BY HAND Directive 2002/95/EC RoHS compliant	Index: e 13.04.12 fro Ä4273 dimension 1,9 added	dim. in mm	title: <b>Male socket 7/8" with dip solder, backmounting</b>
		date name	
		drawn 19.01.09 Fromm	dwg no: <b>41K1A391</b>
		appd. 19.01.09 W.Schmidt	
	general tolerance: 0 ± 0,50mm 0,0 ± 0,25mm 0,00 ± 0,10mm	<b>CONEC</b> ®	part no:
THIS DRAWING MAY NOT BE COPIED OR REPRODUCED IN ANY WAY, AND MAY NOT BE PASSED ON TO A THIRD PARTY WITHOUT WRITTEN PERMISSION. OWNERSHIP AND COPYRIGHT OF CONEC GmbH			

