

6

5

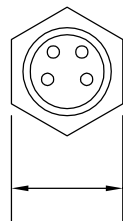
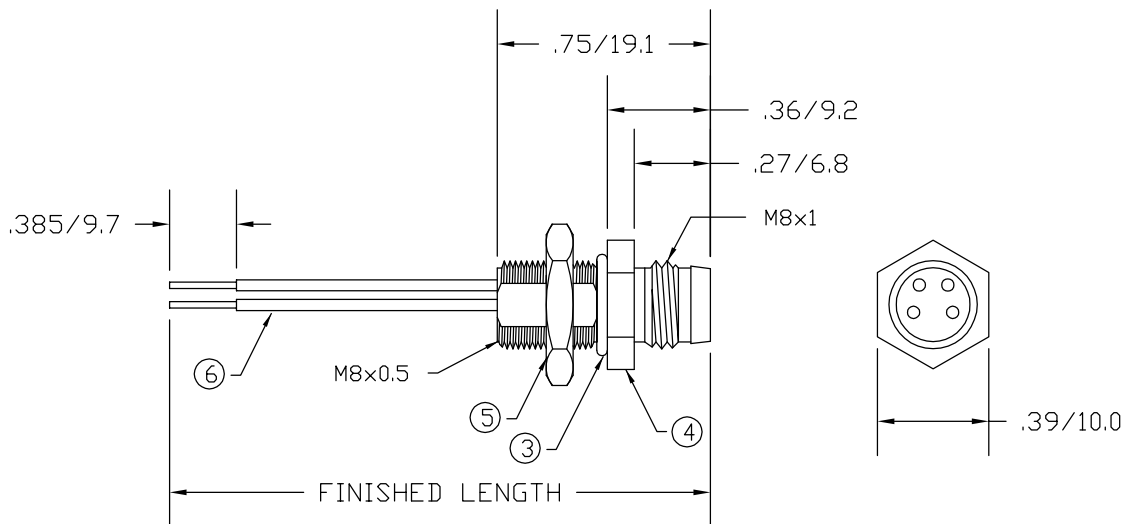
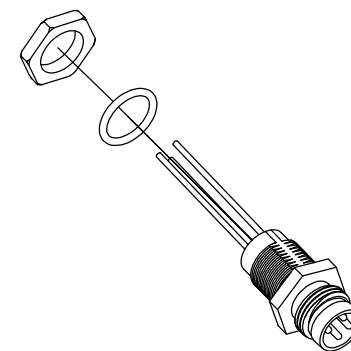
4

3

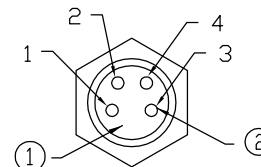
2

1

MATERIAL NUMBER	OLD PART NUMBER	FINISHED LENGTH
120090-0032	4R4P06A27C300	11.81" +.75" -0 [1.3M +19.1 -0]
120090-0033	4R4P06A27M010	3.28' +2.19" -0 [1.0M +55.6 -0]



.39/10.0



MALE FACE VIEW

1	BROWN
2	WHITE
3	BLUE
4	BLACK

WIRING DIAGRAM

VOLTAGE RATING	60 VAC/ 75 VDC
AMPERAGE RATING	4 AMPS
PROTECTION	IP67
OPERATING TEMPERATURE	-20°C TO 105°C
UL CERTIFICATIONS	UL LISTED, FILE NO. E152210
CSA CERTIFICATIONS	CSA CERTIFIED, FILE NO. LR6837

ITEM	COMPONENT	MATERIAL	FINISH
1	INSERT	POLYURETHANE	BLACK
2	CONTACT PIN	COPPER ALLOY	GOLD OVER NICKEL
3	O-RING	NITRILE	BLACK
4	RECEPTACLE SHELL	BRASS	NICKEL PLATED
5	LOCKNUT	BRASS	NICKEL PLATED
6	CONDUCTOR- 24 AWG, (.22mm) COPPER (STRANDING) 3 CONDUCTOR	PVC	SEE WIRING DIAGRAM

RLSD DRAWING
 EC NO: WNA2010-0131
 DRWN: BWOODMAN 8/25/09
 CHKD: JM
 APPR: JFMURPHY 2009/08/27

QUALITY SYMBOLS
 ▽=0
 ▽/0

GENERAL TOLERANCES (UNLESS SPECIFIED)

	mm	INCH
4 PLACES	±----	±---
3 PLACES	±----	±---
2 PLACES	±----	±.01
1 PLACE	±0.3	±---

ANGULAR ±--°

DRAFT WHERE APPLICABLE MUST REMAIN WITHIN DIMENSIONS

DIMENSION STYLE IN/MM

SCALE ---

DESIGN UNITS ----

THIRD ANGLE PROJECTION

TITLE

M8 RECEPTACLE
 4 POLE MALE
 M8X0.5 MOUNTING THREADS

MOLEX INCORPORATED

SD-120090-007

SEE CHART

DOCUMENT NO.

SHEET NO. 1 OF 1

DRAWN BY DATE
 BW 2009/08/25

CHECKED BY DATE
 TW 2009/08/25

APPROVED BY DATE
 JFMURPHY 2009/08/26

MATERIAL NO.

THIS DRAWING CONTAINS INFORMATION THAT IS PROPRIETARY TO MOLEX INCORPORATED AND SHOULD NOT BE USED WITHOUT WRITTEN PERMISSION

6

5

4

3

2

1

E

E

D

D

C

C

B

B

A

A