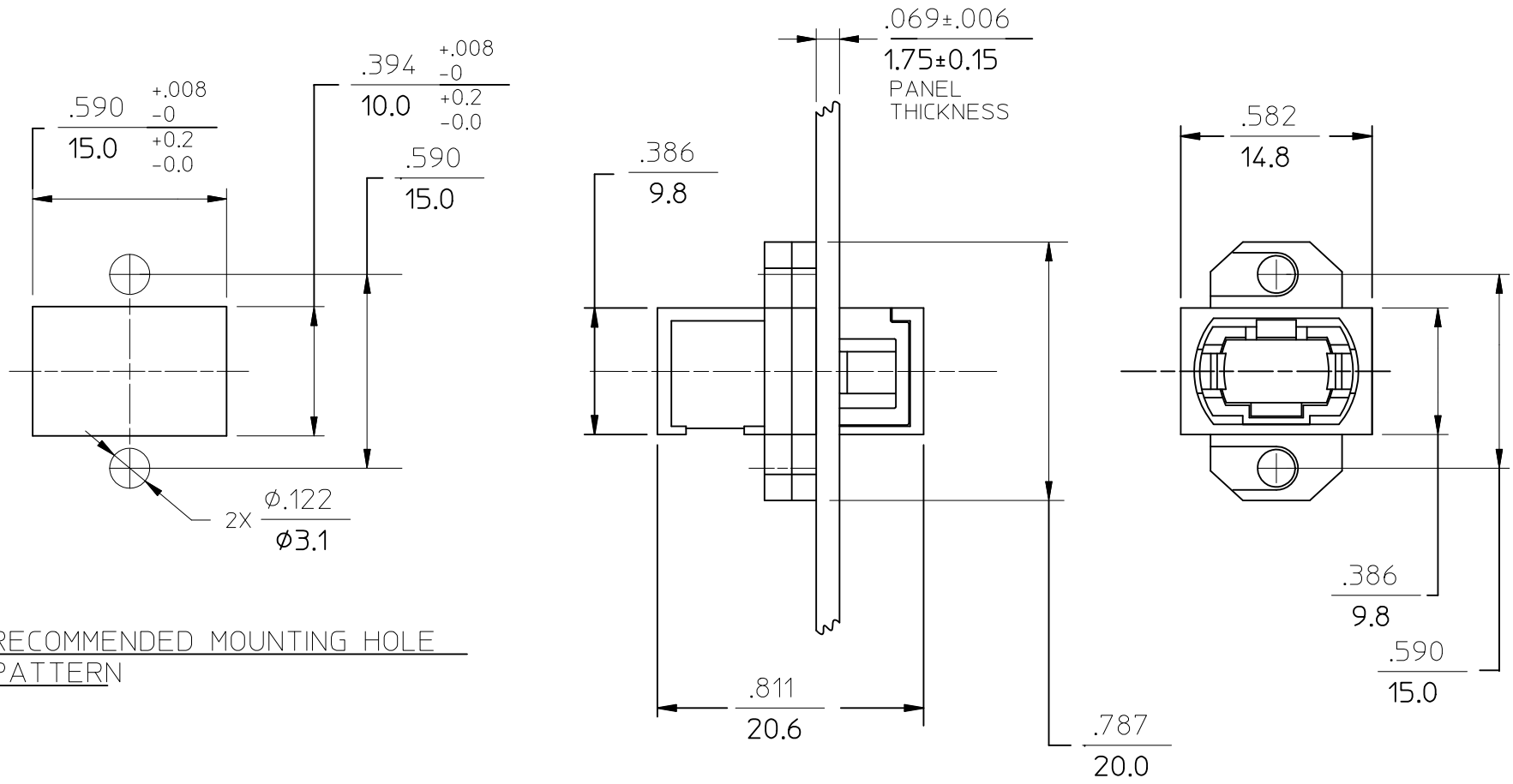


KEY ORIENTATION	OPPOSED
-----------------	---------



RECOMMENDED MOUNTING HOLE PATTERN

NOTE:
DUST CAPS ARE NOT SHOWN, BUT INCLUDED.

ENTER DESCRIPTION EC NO: MF2012-0454 DRWN: YBEDNYAK 2012/03/20 CHKD: APPR: IGUMIN 2012/03/23 DESCRIPTION REV	QUALITY SYMBOLS	GENERAL TOLERANCES (UNLESS SPECIFIED)		DIMENSION STYLE IN/MM		SCALE 2:1	DESIGN UNITS INCH	THIRD ANGLE PROJECTION	
	▼=0	mm	INCH	DRAWN BY	DATE	TITLE MTP ROTATED FLANGE ADAPTER			
	∇=0	4 PLACES ± ---	± ---	KP	2006/07/10				
		3 PLACES ± ---	± ---	CHECKED BY	DATE	MOLEX INCORPORATED			
	2 PLACES ± ---	± ---	APPROVED BY	DATE					
	1 PLACE ± ---	± ---	ILG	2006/07/10	DOCUMENT NO. SD-106181-0006				
	ANGULAR ±1/2°		MATERIAL NO. 1061810006						SHEET NO. 1 OF 1
A1	DRAFT WHERE APPLICABLE MUST REMAIN WITHIN DIMENSIONS		SIZE A	THIS DRAWING CONTAINS INFORMATION THAT IS PROPRIETARY TO MOLEX INCORPORATED AND SHOULD NOT BE USED WITHOUT WRITTEN PERMISSION					