

Hi-Fi Audio Smart Codec with Integrated Sensor Hub

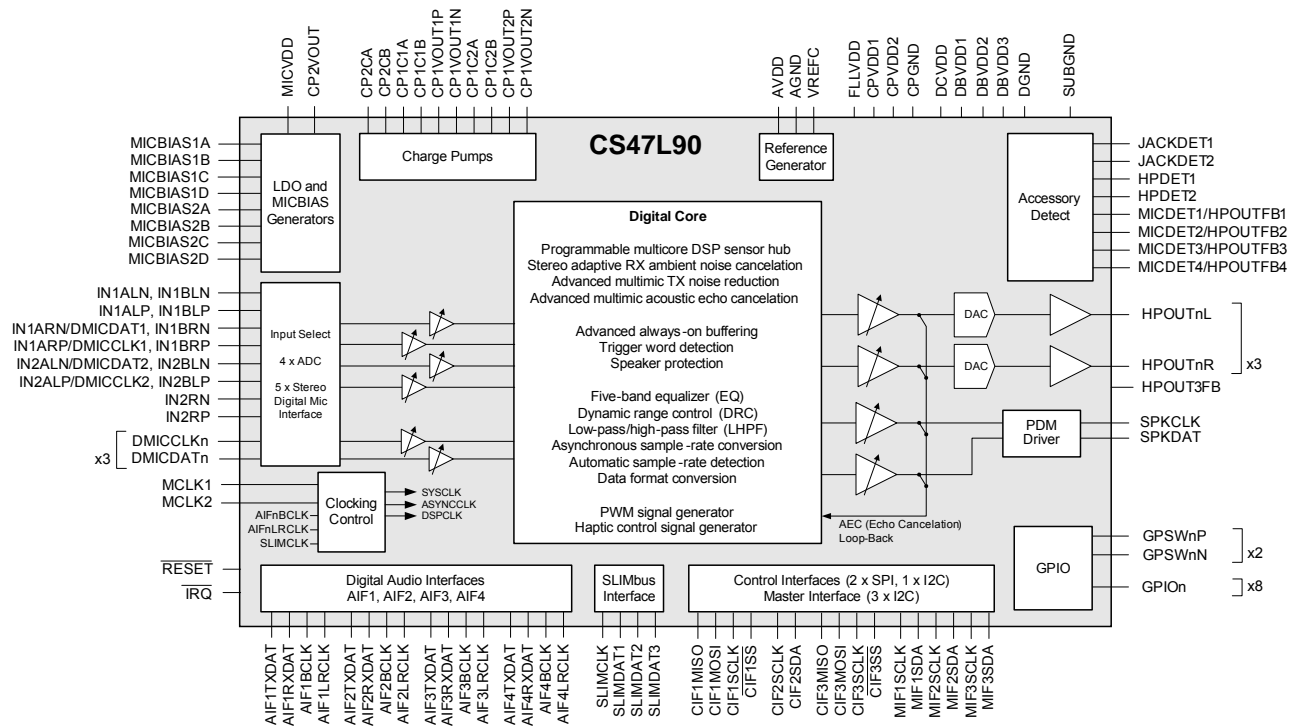
Features

- 975 MIPS, seven DSP-core audio signal processor
 - Inter-DSP memory sharing
 - Event loggers with time-stamp and interrupt functions
- Programmable wideband, multimic audio processing
 - Cirrus Logic® adaptive ambient noise cancelation
 - Transmit-path noise reduction and echo cancelation
- Integrated multichannel 24-bit hi-fi audio hub codec
 - 98-dB signal-to-noise ratio (SNR) mic input (48 kHz)
 - 127-dB SNR headphone playback (48 kHz)
 - Ultrasonic input- and output-path support
- Up to 7 analog or 10 digital microphone (DMIC) inputs
- Multipurpose headphone/earpiece/line output drivers
 - 33 mW into 32-Ω load at 0.1% total harmonic distortion + noise (THD+N)
 - Hi-fi filters for audiophile-quality playback
- Digital pulse-density modulation (PDM) output interface

- Low-power, always-on voice trigger capability
- Multichannel asynchronous sample-rate conversion
- Multiline SLIMbus® audio and control interface
- Four full digital-audio interfaces
 - Standard data formats up to 192 kHz, 32 bits
 - Multichannel support on AIF1 and AIF2
- Flexible clocking, derived from MCLKn, AIFn, or SLIMbus
 - Low-power frequency-locked loops (FLLs) support reference clocks down to 32 kHz
- Advanced accessory detection functions
- Configurable functions on up to 38 general-purpose input/output (GPIO) pins
- Sensor hub capability, incorporating three master I2C interfaces
- Integrated regulators and charge pumps
- Small W-CSP package, 0.4-mm staggered ball array

Applications

- Smartphones, tablets, and multimedia handsets



Description

The CS47L90 is a highly integrated, low-power audio and sensor hub system for smartphones, tablets, and other portable audio devices. It combines an advanced DSP feature set with a flexible, high-performance audio hub codec. The CS47L90 combines seven programmable DSP cores with a variety of power-efficient fixed-function audio processors. Extensive GPIO and I²C master interfaces enable powerful sensor fusion functions to be integrated.

Three hi-fi quality stereo headphone drivers are provided, supporting stereo ground-referenced or mono bridge-tied load (BTL) configurations, with noise levels as low as 0.45 μV_{RMS} into line or headphone loads. Selectable hi-fi filters support playback modes at sample rates up to 192 kHz.

The DSP cores support multiple concurrent audio features, including multimic wideband noise reduction, high-performance acoustic-echo cancellation (AEC), stereo ambient noise cancellation (ANC), speech enhancement, advanced media enhancement, and many more. Support for third-party DSP programming provides far-reaching opportunities for product differentiation. The DSP cores are integrated within a fully flexible, all-digital mixing and routing engine with sample rate converters, for wide use-case flexibility.

A SLIMbus interface supports multichannel audio paths and host control register access. Four further digital audio interfaces are provided, each supporting a wide range of standard audio sample rates and serial interface formats. Automatic sample-rate detection enables seamless wideband/narrowband voice-call handover.

The CS47L90 supports up to 7 analog inputs and up to 10 PDM digital inputs. Low-power input modes are available for always-on (e.g., voice-trigger) functionality using either analog or digital input. A smart accessory interface, with multipurpose impedance sensing and measurement capability, supports detection of external headsets and push buttons. Dual headphone connections (e.g., 3.5-mm and USB-C™) can be detected simultaneously.

Two channels of PDM output (one stereo interface) are available, and also an IEC-60958-3-compatible S/PDIF transmitter. A signal generator for controlling haptics devices is included; vibrate actuators can connect directly to the PDM output interface. All inputs, outputs, and system interfaces can function concurrently.

The CS47L90 is configured using the SLIMbus, SPI™, or I²C interfaces. Three integrated FLLs support a wide range of system-clock frequencies. The device is powered from 1.8- and 1.2-V supplies. The power, clocking, and output driver architectures are designed to maximize battery life in voice, music, and standby modes. Low-power (10 μA) Sleep Mode is supported, with configurable wake-up events.

Table of Contents

1 Pin Descriptions	4	4.5 DSP Peripheral Control	110
1.1 WLCSP Pinout	4	4.6 Ambient Noise Cancelation	134
1.2 Pin Descriptions	5	4.7 Digital Audio Interface	135
2 Typical Connection Diagram	10	4.8 Digital Audio Interface Control	142
3 Characteristics and Specifications	11	4.9 SLIMbus Interface	155
Table 3-1. Parameter Definitions	11	4.10 SLIMbus Control Sequences	157
Table 3-2. Absolute Maximum Ratings	11	4.11 SLIMbus Interface Control	160
Table 3-3. Recommended Operating Conditions	12	4.12 Output Signal Path	169
Table 3-4. Analog Input Signal Level—IN1xx, IN2xx	12	4.13 External Accessory Detection	183
Table 3-5. Analog Input Pin Characteristics	12	4.14 Low Power Sleep Configuration	201
Table 3-6. Analog Input Gain—Programmable Gain Amplifiers (PGAs)	12	4.15 General-Purpose I/O	203
Table 3-7. Digital Input Signal Level—DMICDATn	13	4.16 Interrupts	212
Table 3-8. Output Characteristics	13	4.17 Clocking and Sample Rates	238
Table 3-9. Input/Output Path Characteristics	13	4.18 Control Interface	267
Table 3-10. Digital Input/Output	15	4.19 Control-Write Sequencer	272
Table 3-11. Miscellaneous Characteristics	16	4.20 Charge Pumps, Regulators, and Voltage Reference	281
Table 3-12. Device Reset Thresholds	17	4.21 JTAG Interface	286
Table 3-13. System Clock and Frequency-Locked Loop (FLL)	17	4.22 Short-Circuit Protection	287
Table 3-14. Digital Microphone (DMIC) Interface Timing	18	4.23 Power-On Reset (POR)	287
Table 3-15. Digital Speaker (PDM) Interface Timing	18	4.24 Hardware Reset, Software Reset, Wake-Up, and Device ID	288
Table 3-16. Digital Audio Interface—Master Mode	19	5 Applications	290
Table 3-17. Digital Audio Interface—Slave Mode	20	5.1 Recommended External Components	290
Table 3-18. Digital Audio Interface Timing—TDM Mode	20	5.2 Resets Summary	297
Table 3-19. Control Interface Timing—Two-Wire (I ² C) Mode	21	5.3 Output-Signal Drive-Strength Control	297
Table 3-20. Control Interface Timing—Four-Wire (SPI) Mode	22	5.4 Digital Audio Interface Clocking Configurations	300
Table 3-21. SLIMbus Interface Timing	23	5.5 PCB Layout Considerations	305
Table 3-22. JTAG Interface Timing	24	6 Register Map	305
Table 3-23. Typical Power Consumption	25	7 Thermal Characteristics	406
Table 3-24. Typical Signal Latency	25	8 Package Dimensions	407
4 Functional Description	26	9 Ordering Information	407
4.1 Overview	26	10 References	408
4.2 Input Signal Path	29	11 Revision History	408
4.3 Digital Core	46		
4.4 DSP Firmware Control	95		

1 Pin Descriptions

1.1 WLCSP Pinout

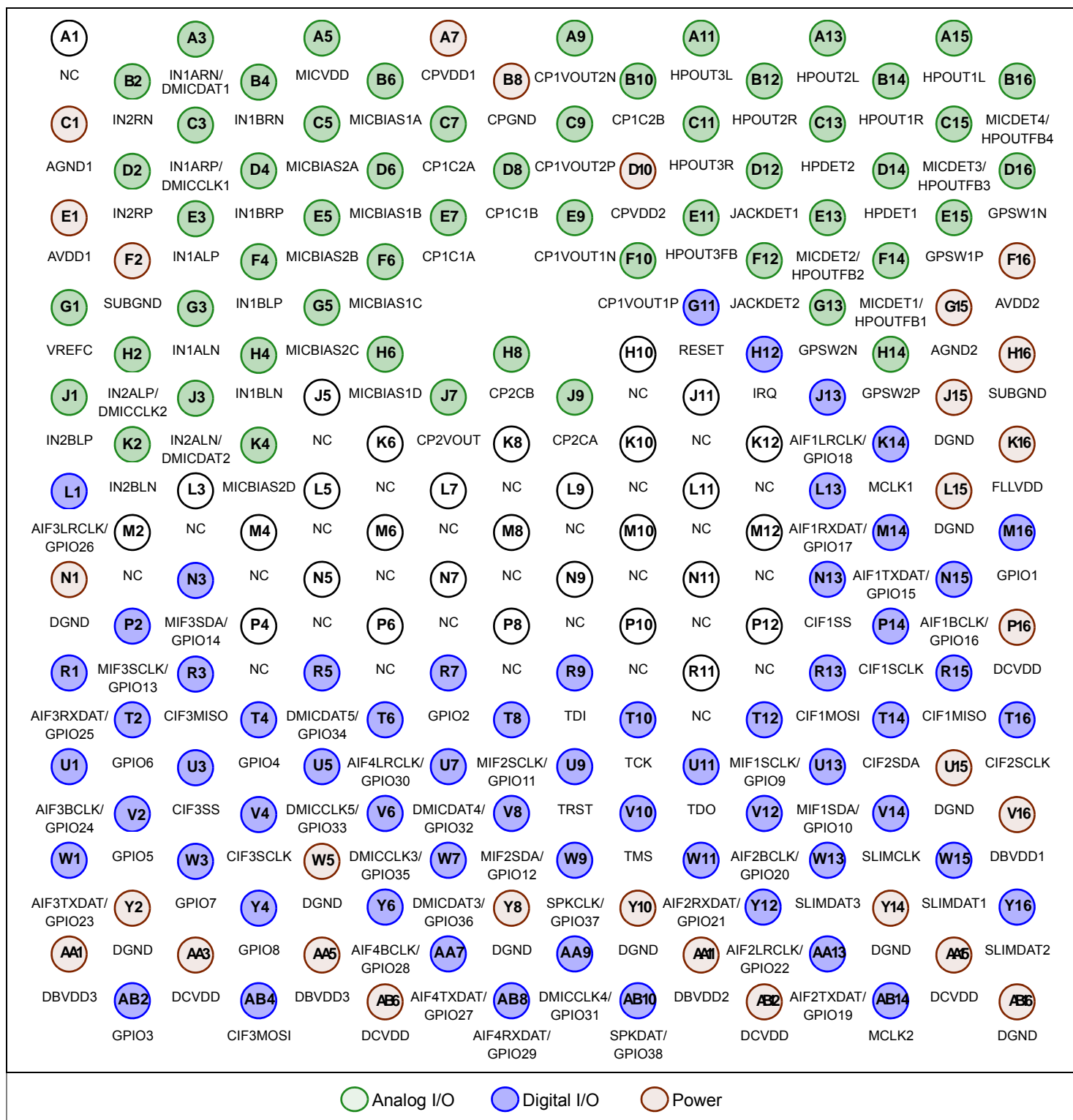


Figure 1-1. Top-Down (Through-Package) View—173-Ball WLCSP Package

1.2 Pin Descriptions

Table 1-1 describes each pin on the CS47L90. Note that pins that share a common name should be tied together on the printed circuit board (PCB).

Table 1-1. Pin Descriptions

PU = Pull-up, PD = Pull-down, K = Bus keeper, H = Hysteresis on CMOS input, Z = Hi-Z (High impedance), C = CMOS, OD = Open drain.

Pin Name	Pin #	Power Supply	I/O	Pin Description	Digital Pad Attributes	State at Reset 1
Analog I/O						
CP1C1A	E7	—	O	Charge Pump 1 fly-back capacitor 1 pin	—	—
CP1C1B	D8	—	O	Charge Pump 1 fly-back capacitor 1 pin	—	—
CP1C2A	C7	—	O	Charge Pump 1 fly-back capacitor 2 pin	—	—
CP1C2B	B10	—	O	Charge Pump 1 fly-back capacitor 2 pin	—	—
CP1VOUT1N	E9	—	O	Charge Pump 1 negative output 1 decoupling pin	—	Output
CP1VOUT1P	F10	—	O	Charge Pump 1 positive output 1 decoupling pin	—	Output
CP1VOUT2N	A9	—	O	Charge Pump 1 negative output 2 decoupling pin	—	Output
CP1VOUT2P	C9	—	O	Charge Pump 1 positive output 2 decoupling pin	—	Output
CP2CA	J9	—	O	Charge Pump 2 fly-back capacitor pin	—	Output
CP2CB	H8	—	O	Charge Pump 2 fly-back capacitor pin	—	Output
CP2VOUT	J7	—	O	Charge Pump 2 output decoupling pin/supply for LDO2	—	Output
GPSW1N	D16	—	I/O	General-purpose bidirectional switch 1 contact	—	—
GPSW1P	E15	—	I/O	General-purpose bidirectional switch 1 contact	—	—
GPSW2N	G13	—	I/O	General-purpose bidirectional switch 2 contact	—	—
GPSW2P	H14	—	I/O	General-purpose bidirectional switch 2 contact	—	—
HPDET1	D14	—	I/O	Headphone sense 1 input	—	Input
HPDET2	C13	—	I/O	Headphone sense 2 input	—	Input
HPOUT1L	A15	—	O	Left headphone 1 output	—	Output
HPOUT1R	B14	—	O	Right headphone 1 output	—	Output
HPOUT2L	A13	—	O	Left headphone 2 output	—	Output
HPOUT2R	B12	—	O	Right headphone 2 output	—	Output
HPOUT3FB	E11	—	I	HPOUT3L and HPOUT3R ground loop noise rejection feedback	—	Input
HPOUT3L	A11	—	O	Left headphone 3 output	—	Output
HPOUT3R	C11	—	O	Right headphone 3 output	—	Output
IN1ALN	G3	MICVDD	I	Negative differential mic/line input. Also suitable for connection to external accessory interfaces.	—	Input
IN1ALP	E3	MICVDD	I	Single-ended mic/line input/positive differential mic/line input. Also suitable for connection to external accessory interfaces.	—	Input
IN1ARN/ DMICDAT1	A3	MICVDD or MICBIASn [2]	I	Right-channel negative differential mic/line input/DMIC Data Input 1	PD/H	IN1ARN input
IN1ARP/ DMICCLK1	C3	MICVDD or MICBIASn [2]	I/O	Right-channel single-ended mic/line input/ right-channel positive differential mic/line input/DMIC Clock Output 1	—	IN1ARP input
IN1BLN	H4	MICVDD	I	Negative differential mic/line input. Also suitable for connection to external accessory interfaces.	—	Input
IN1BLP	F4	MICVDD	I	Single-ended mic/line input/positive differential mic/line input. Also suitable for connection to external accessory interfaces.	—	Input
IN1BRN	B4	MICVDD	I	Right-channel negative differential mic/line input	—	Input
IN1BRP	D4	MICVDD	I	Right-channel single-ended mic/line input/ right-channel positive differential mic/line input	—	Input

Table 1-1. Pin Descriptions (Cont.)

PU = Pull-up, PD = Pull-down, K = Bus keeper, H = Hysteresis on CMOS input, Z = Hi-Z (High impedance), C = CMOS, OD = Open drain.

Pin Name	Pin #	Power Supply	I/O	Pin Description	Digital Pad Attributes	State at Reset ¹
IN2ALN/ DMICDAT2	J3	MICVDD or MICBIASn [2]	I	Left-channel negative differential mic/line input/DMIC Data Input 2	PD/H	IN2ALN input
IN2ALP/ DMICCLK2	H2	MICVDD or MICBIASn [2]	I/O	Left-channel single-ended mic/line input/left-channel positive differential mic/line input/DMIC Clock Output 2	—	IN2ALP input
IN2BLN	K2	MICVDD	I	Left-channel negative differential mic/line input	—	Input
IN2BLP	J1	MICVDD	I	Left-channel single-ended mic/line input/left-channel positive differential mic/line input	—	Input
IN2RN	B2	MICVDD	I	Right-channel negative differential mic/line input. Also suitable for connection to external accessory interfaces.	—	Input
IN2RP	D2	MICVDD	I	Right-channel single-ended mic/line input/ right-channel positive differential mic/line input. Also suitable for connection to external accessory interfaces.	—	Input
JACKDET1	D12	AVDD	I	Jack detect input 1	—	Input
JACKDET2	F12	AVDD	I	Jack detect input 2	—	Input
MICBIAS1A	B6	MICVDD	O	Microphone bias 1A	—	Output
MICBIAS1B	D6	MICVDD	O	Microphone bias 1B	—	Output
MICBIAS1C	F6	MICVDD	O	Microphone bias 1C	—	Output
MICBIAS1D	H6	MICVDD	O	Microphone bias 1D	—	Output
MICBIAS2A	C5	MICVDD	O	Microphone bias 2A	—	Output
MICBIAS2B	E5	MICVDD	O	Microphone bias 2B	—	Output
MICBIAS2C	G5	MICVDD	O	Microphone bias 2C	—	Output
MICBIAS2D	K4	MICVDD	O	Microphone bias 2D	—	Output
MICDET1/ HPOUTFB1	F14	—	I/O	Mic/accessory sense input 1/HPOUT ground feedback pin 1	—	Input
MICDET2/ HPOUTFB2	E13	—	I/O	Mic/accessory sense input 2/HPOUT ground feedback pin 2	—	Input
MICDET3/ HPOUTFB3	C15	—	I/O	Mic/accessory sense input 3/HPOUT ground feedback pin 3	—	Input
MICDET4/ HPOUTFB4	B16	—	I/O	Mic/accessory sense input 4/HPOUT ground feedback pin 4	—	Input
MICVDD	A5	—	O	LDO2 output decoupling pin (generated internally by CS47L90). (Can also be used as reference/supply for external microphones.)	—	Output
VREFC	G1	—	O	Band-gap reference external capacitor connection	—	Output
Digital I/O						
AIF1BCLK/ GPIO16	N15	DBVDD1	I/O	Audio interface 1 bit clock/GPIO16	PU/PD/K/H/ Z/C/OD	GPIO16 input with bus-keeper
AIF1LRCLK/ GPIO18	J13	DBVDD1	I/O	Audio interface 1 left/right clock/GPIO18	PU/PD/K/H/ Z/C/OD	GPIO18 input with bus-keeper
AIF1RXDAT/ GPIO17	L13	DBVDD1	I/O	Audio interface 1 RX digital audio data/GPIO17	PU/PD/K/H/ C/OD	GPIO17 input with bus-keeper
AIF1TXDAT/ GPIO15	M14	DBVDD1	I/O	Audio interface 1 TX digital audio data/GPIO15	PU/PD/K/H/ Z/C/OD	GPIO15 input with bus-keeper
AIF2BCLK/ GPIO20	V12	DBVDD2	I/O	Audio interface 2 bit clock/GPIO20	PU/PD/K/H/ Z/C/OD	GPIO20 input with bus-keeper
AIF2LRCLK/ GPIO22	Y12	DBVDD2	I/O	Audio interface 2 left/right clock/GPIO22	PU/PD/K/H/ Z/C/OD	GPIO22 input with bus-keeper
AIF2RXDAT/ GPIO21	W11	DBVDD2	I/O	Audio interface 2 RX digital audio data/GPIO21	PU/PD/K/H/ C/OD	GPIO21 input with bus-keeper

Table 1-1. Pin Descriptions (Cont.)

PU = Pull-up, PD = Pull-down, K = Bus keeper, H = Hysteresis on CMOS input, Z = Hi-Z (High impedance), C = CMOS, OD = Open drain.

Pin Name	Pin #	Power Supply	I/O	Pin Description	Digital Pad Attributes	State at Reset 1
AIF2TXDAT/ GPIO19	AA13	DBVDD2	I/O	Audio interface 2 TX digital audio data/GPIO19	PU/PD/K/H/ Z/C/OD	GPIO19 input with bus-keeper
AIF3BCLK/ GPIO24	U1	DBVDD3	I/O	Audio interface 3 bit clock/GPIO24	PU/PD/K/H/ Z/C/OD	GPIO24 input with bus-keeper
AIF3LRCLK/ GPIO26	L1	DBVDD3	I/O	Audio interface 3 left/right clock/GPIO26	PU/PD/K/H/ Z/C/OD	GPIO26 input with bus-keeper
AIF3RXDAT/ GPIO25	R1	DBVDD3	I/O	Audio interface 3 RX digital audio data/GPIO25	PU/PD/K/H/ C/OD	GPIO25 input with bus-keeper
AIF3TXDAT/ GPIO23	W1	DBVDD3	I/O	Audio interface 3 TX digital audio data/GPIO23	PU/PD/K/H/ Z/C/OD	GPIO23 input with bus-keeper
AIF4BCLK/ GPIO28	Y6	DBVDD3	I/O	Audio interface 4 bit clock/GPIO28	PU/PD/K/H/ Z/C/OD	GPIO28 input with bus-keeper
AIF4LRCLK/ GPIO30	T6	DBVDD3	I/O	Audio interface 4 left/right clock/GPIO30	PU/PD/K/H/ Z/C/OD	GPIO30 input with bus-keeper
AIF4RXDAT/ GPIO29	AB8	DBVDD3	I/O	Audio interface 4 RX digital audio data/GPIO29	PU/PD/K/H/ C/OD	GPIO29 input with bus-keeper
AIF4TXDAT/ GPIO27	AA7	DBVDD3	I/O	Audio interface 4 TX digital audio data/GPIO27	PU/PD/K/H/ Z/C/OD	GPIO27 input with bus-keeper
CIF1MISO	R15	DBVDD1	O	Control interface 1 (SPI) Master In Slave Out data. The CIFMISO is high impedance if CIF1SS is not asserted.	Z/C	Output
CIF1MOSI	R13	DBVDD1	I	Control interface 1 (SPI) Master Out Slave In data	H	Input
CIF1SCLK	P14	DBVDD1	I	Control interface 1 (SPI) clock input	H	Input
CIF1SS	N13	DBVDD1	I	Control interface 1 (SPI) slave select (SS)	H	Input
CIF2SCLK	T16	DBVDD1	I	Control interface 2 (I ² C) clock input	H	Input
CIF2SDA	T14	DBVDD1	I/O	Control interface 2 (I ² C) data input and output.	H/OD	Input
CIF3MISO	R3	DBVDD3	O	Control interface 3 (SPI) Master In Slave Out data. The CIFMISO is high impedance if CIF3SS is not asserted.	Z/C	Output
CIF3MOSI	AB4	DBVDD3	I	Control interface 3 (SPI) Master Out Slave In data	H	Input
CIF3SCLK	V4	DBVDD3	I	Control interface 3 (SPI) clock input	H	Input
CIF3SS	U3	DBVDD3	I	Control interface 3 (SPI) slave select (SS)	H	Input
DMICCLK3/ GPIO35	V6	DBVDD3	I/O	DMIC Clock Output 3/GPIO35	PU/PD/K/H/ C/OD	GPIO35 input with bus-keeper
DMICCLK4/ GPIO31	AA9	DBVDD3	I/O	DMIC Clock Output 4/GPIO31	PU/PD/K/H/ C/OD	GPIO31 input with bus-keeper
DMICCLK5/ GPIO33	U5	DBVDD3	I/O	DMIC Clock Output 5/GPIO33	PU/PD/K/H/ C/OD	GPIO33 input with bus-keeper
DMICDAT3/ GPIO36	W7	DBVDD3	I/O	DMIC Data Input 3/GPIO36	PU/PD/K/H/ C/OD	GPIO36 input with bus-keeper
DMICDAT4/ GPIO32	U7	DBVDD3	I/O	DMIC Data Input 4/GPIO32	PU/PD/K/H/ C/OD	GPIO32 input with bus-keeper
DMICDAT5/ GPIO34	R5	DBVDD3	I/O	DMIC Data Input 5/GPIO34	PU/PD/K/H/ C/OD	GPIO34 input with bus-keeper
GPIO1	M16	DBVDD1	I/O	GPIO1	PU/PD/K/H/ C/OD	GPIO1 input with bus-keeper
GPIO2	R7	DBVDD2	I/O	GPIO2	PU/PD/K/H/ C/OD	GPIO2 input with bus-keeper
GPIO3	AB2	DBVDD3	I/O	GPIO3	PU/PD/K/H/ C/OD	GPIO3 input with bus-keeper
GPIO4	T4	DBVDD3	I/O	GPIO4	PU/PD/K/H/ C/OD	GPIO4 input with bus-keeper
GPIO5	V2	DBVDD3	I/O	GPIO5	PU/PD/K/H/ C/OD	GPIO5 input with bus-keeper

Table 1-1. Pin Descriptions (Cont.)

PU = Pull-up, PD = Pull-down, K = Bus keeper, H = Hysteresis on CMOS input, Z = Hi-Z (High impedance), C = CMOS, OD = Open drain.

Pin Name	Pin #	Power Supply	I/O	Pin Description	Digital Pad Attributes	State at Reset ¹
GPIO6	T2	DBVDD3	I/O	GPIO6	PU/PD/K/H/ C/OD	GPIO6 input with bus-keeper
GPIO7	W3	DBVDD3	I/O	GPIO7	PU/PD/K/H/ C/OD	GPIO7 input with bus-keeper
GPIO8	Y4	DBVDD3	I/O	GPIO8	PU/PD/K/H/ C/OD	GPIO8 input with bus-keeper
IRQ	H12	DBVDD1	O	Interrupt request (IRQ) output (default is active low).	C/OD	Output
MCLK1	K14	DBVDD1	I	Master clock 1	H	Input
MCLK2	AB14	DBVDD2	I	Master clock 2	H	Input
MIF1SCLK/ GPIO9	T12	DBVDD1	I/O	Master (I ² C) Interface 1 clock output/GPIO9.	PU/PD/K/H/ C/OD	GPIO9 input with bus-keeper
MIF1SDA/ GPIO10	U13	DBVDD1	I/O	Master (I ² C) Interface 1 data input and output/GPIO10.	PU/PD/K/H/ C/OD	GPIO10 input with bus-keeper
MIF2SCLK/ GPIO11	T8	DBVDD2	I/O	Master (I ² C) Interface 2 clock output/GPIO11.	PU/PD/K/H/ C/OD	GPIO11 input with bus-keeper
MIF2SDA/ GPIO12	V8	DBVDD2	I/O	Master (I ² C) Interface 2 data input and output/GPIO12.	PU/PD/K/H/ C/OD	GPIO12 input with bus-keeper
MIF3SCLK/ GPIO13	P2	DBVDD3	I/O	Master (I ² C) Interface 3 clock output/GPIO13.	PU/PD/K/H/ C/OD	GPIO13 input with bus-keeper
MIF3SDA/ GPIO14	N3	DBVDD3	I/O	Master (I ² C) Interface 3 data input and output/GPIO14.	PU/PD/K/H/ C/OD	GPIO14 input with bus-keeper
RESET	G11	DBVDD1	I	Digital reset input (active low)	PU/PD/K/H	Input with pull-up
SLIMCLK	V14	DBVDD1	I/O	SLIMbus clock I/O	H/C	Input
SLIMDAT1	W15	DBVDD1	I/O	SLIMbus data I/O	H/C	Input
SLIMDAT2	Y16	DBVDD1	I/O	SLIMbus data I/O	H/C	Input
SLIMDAT3	W13	DBVDD1	I/O	SLIMbus data I/O	H/C	Input
SPKCLK/ GPIO37	W9	DBVDD2	I/O	Digital speaker (PDM) clock output/GPIO37.	PU/PD/K/H/ C/OD	GPIO37 input with bus-keeper
SPKDAT/ GPIO38	AB10	DBVDD2	I/O	Digital speaker (PDM) data output/GPIO38.	PU/PD/K/H/ C/OD	GPIO38 input with bus-keeper
TCK	T10	DBVDD2	I	JTAG clock input.	PD/H	Input with pull-down
TDI	R9	DBVDD2	I	JTAG data input.	PD/H	Input with pull-down
TDO	U11	DBVDD2	O	JTAG data output	C	Output
TMS	V10	DBVDD2	I	JTAG mode select input.	PD/H	Input with pull-down
TRST	U9	DBVDD2	I	JTAG test access port reset (active low).	PD/H	Input with pull-down
Supply						
AGND1	C1	—	—	Analog ground (return path for AVDD1)	—	—
AGND2	G15	—	—	Analog ground (return path for AVDD2)	—	—
AVDD1	E1	—	—	Analog supply	—	—
AVDD2	F16	—	—	Analog supply	—	—
CPGND	B8	—	—	Charge pump ground (return path for CPVDD1, CPVDD2)	—	—
CPVDD1	A7	—	—	Supply for Charge Pump 1 and Charge Pump 2	—	—
CPVDD2	D10	—	—	Secondary supply for Charge Pump 1	—	—

Table 1-1. Pin Descriptions (Cont.)

PU = Pull-up, PD = Pull-down, K = Bus keeper, H = Hysteresis on CMOS input, Z = Hi-Z (High impedance), C = CMOS, OD = Open drain.

Pin Name	Pin #	Power Supply	I/O	Pin Description	Digital Pad Attributes	State at Reset ¹
DBVDD1	V16	—	—	Digital buffer (I/O) supply (core functions, AIF1, CIF1, CIF2, SLIMbus, MIF1, GPIO1)	—	—
DBVDD2	AA11	—	—	Digital buffer (I/O) supply (AIF2, PDM, MIF2, MCLK2, GPIO2, JTAG)	—	—
DBVDD3	AA1, AA5	—	—	Digital buffer (I/O) supply (DMIC4–6, AIF3, AIF4, CIF3, MIF3, GPIO3–8)	—	—
DCVDD	P16, AA3, AA15, AB6, AB12	—	—	Digital core supply	—	—
DGND	J15, L15, N1, U15, W5, Y2, Y8, Y10, Y14, AB16	—	—	Digital ground (return path for DCVDD and DBVDD _n)	—	—
FLLVDD	K16	—	—	Analog supply (FLL1, FLL2).	—	—
SUBGND	F2, H16	—	—	Substrate ground	—	—
No Connect						
NC	A1, H10, J5, J11, K6, K8, K10, K12, L3, L5, L7, L9, L11, M2, M4, M6, M8, M10, M12, N5, N7, N9, N11, P4, P6, P8, P10, P12, R11	—	—	—	—	—

1. Note that the default conditions described are not valid if modified by the boot sequence or by a wake-up control sequence.

 2. The analog input functions on these pins are referenced to the MICVDD power domain. The digital input/output functions are referenced to the MICVDD or MICBIAS_n power domain, as selected by the applicable IN_x_DMIC_SUP field.

2 Typical Connection Diagram

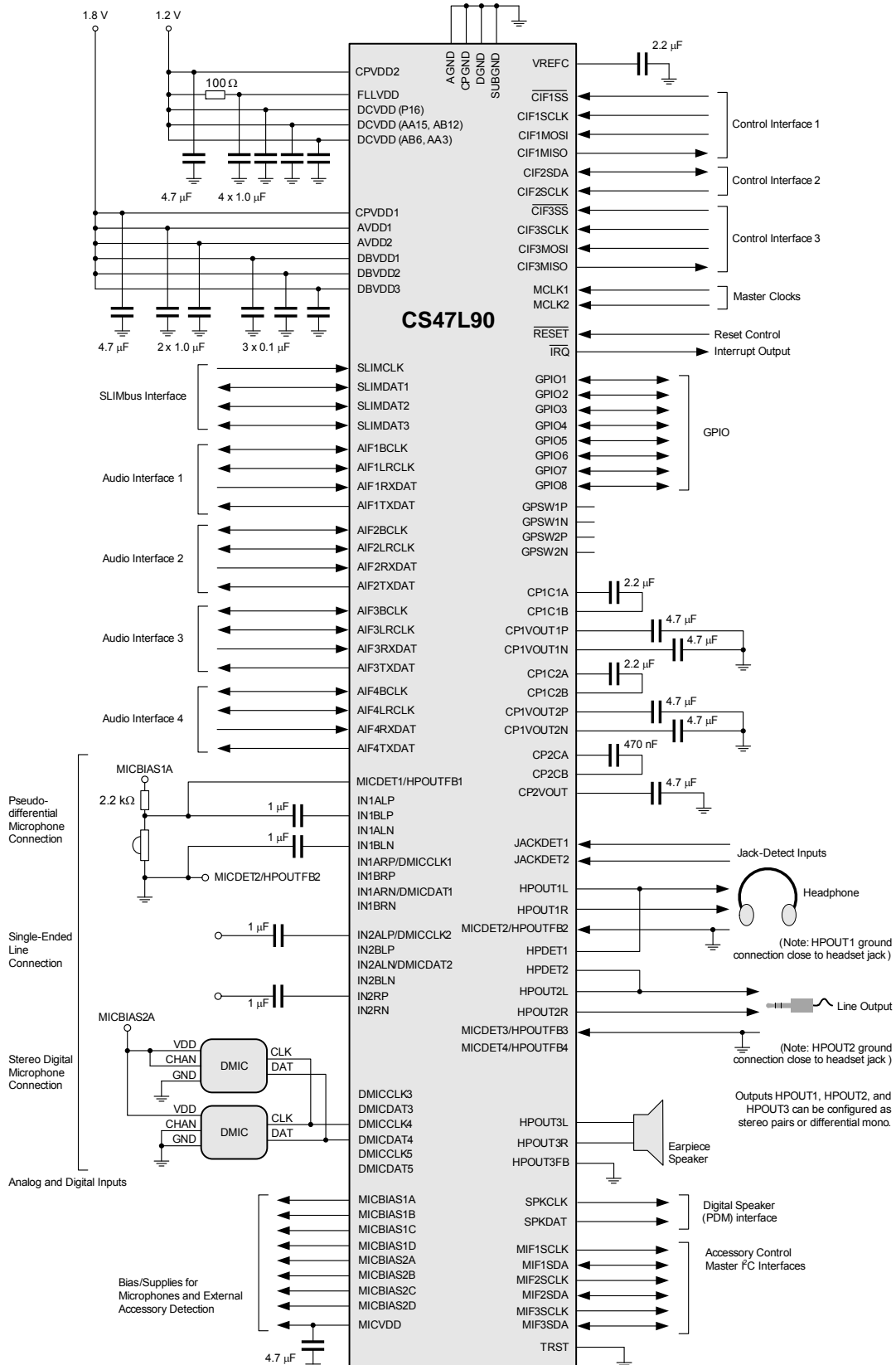


Figure 2-1. Typical Connection Diagram

3 Characteristics and Specifications

Table 3-1 defines parameters as they are characterized in this section.

Table 3-1. Parameter Definitions

Parameter	Definition
Channel separation	Left-to-right and right-to-left channel separation is the difference in level between the active channel (driven to maximum full scale output) and the measured signal level in the idle channel at the test signal frequency. The active channel is configured and supplied with an appropriate input signal to drive a full scale output, with signal measured at the output of the associated idle channel.
Common-mode rejection ratio (CMRR)	The ratio of a specified input signal (applied to both sides of a differential input), relative to the output signal that results from it.
Dynamic range (DR)	A measure of the difference between the maximum full scale output signal and the sum of all harmonic distortion products plus noise, with a low-level input signal applied. Typically, an input signal level 60 dB below full scale is used.
Power-supply rejection ratio (PSRR)	The ratio of a specified power supply variation relative to the output signal that results from it. PSRR is measured under quiescent signal path conditions.
Signal-to-noise ratio (SNR)	A measure of the difference in level between the maximum full scale output signal and the output with no input signal applied.
Total harmonic distortion (THD)	The ratio of the RMS sum of the harmonic distortion products in the specified bandwidth ¹ relative to the RMS amplitude of the fundamental (i.e., test frequency) output.
Total harmonic distortion plus noise (THD+N)	The ratio of the RMS sum of the harmonic distortion products plus noise in the specified bandwidth ¹ relative to the RMS amplitude of the fundamental (i.e., test frequency) output.

1. All performance measurements are specified with a 20-kHz low-pass brick-wall filter and, where noted, an A-weighted filter. The low-pass filter removes out-of-band noise.

Table 3-2. Absolute Maximum Ratings

Absolute maximum ratings are stress ratings only. Permanent damage to the device may be caused by continuously operating at or beyond these limits. Device functional operating limits and guaranteed performance specifications are given under electrical characteristics at the test conditions specified.

Parameter	Symbol	Minimum	Maximum
Supply voltages	DCVDD [1], FLLVDD [1] CPVDD1, CPVDD2 DBVDD1, DBVDD2, DBVDD3, AVDD [2], MICVDD	-0.3 V -0.3 V -0.3 V	1.6 V 2.5 V 5.0 V
Voltage range digital inputs	DBVDD1 domain DBVDD2 domain DBVDD3 domain DMICDAT1–DMICDAT2	— — — —	SUBGND - 0.3 V SUBGND - 0.3 V SUBGND - 0.3 V SUBGND - 0.3 V
Voltage range analog inputs	IN1Axx, IN2ALx, IN2Rx IN1Bxx, IN2BLx MICDET _n [3] HPOUTFB _n [3] JACKDET1, HPDET1, HPDET2 JACKDET2 [4], GPSW _n P, GPSW _n N	— — — — — —	SUBGND - 0.3 V SUBGND - 0.9 V SUBGND - 0.3 V SUBGND - 0.3 V SUBGND - 0.3 V SUBGND - 0.3 V
Ground	AGND [6], DGND, CPGND	SUBGND - 0.3V	SUBGND + 0.3V
Operating temperature range	T _A	-40°C	+85°C
Operating junction temperature	T _J	-40°C	+125°C
Storage temperature after soldering	—	-65°C	+150°C



ESD-sensitive device. The CS47L90 is manufactured on a CMOS process. It is therefore generically susceptible to damage from excessive static voltages. Proper ESD precautions must be taken during handling and storage of this device. This device is qualified to current JEDEC ESD standards.

- The DCVDD and FLLVDD pins should be tied to a common supply rail. The associated power domain is referred to as DCVDD.
- The AVDD1 and AVDD2 pins should be tied together. The associated power domain is referred to as AVDD.
- The MICDET_n and HPOUTFB_n functions share common pins. The absolute maximum rating varies according to the applicable function of each pin. The HPOUTFB_n ratings are applicable if the HP1_GND_SEL or HP2_GND_SEL bits select the respective pin for HPOUT ground feedback.
- If AVDD > MICVDD (e.g., if LDO2 is disabled), the maximum JACKDET2 voltage is AVDD + 0.3 V.
- CP1VOUT2N is an internal supply, generated by the CS47L90 charge pump (CP1). Its voltage can vary between CPGND and -CPVDD1.
- The AGND1 and AGND2 pins should be tied together. The associated ground domain is referred to as AGND.

Table 3-3. Recommended Operating Conditions

Parameter	Symbol	Minimum	Typical	Maximum	Units
Digital supply range ¹ Core and FLL	DCVDD [2], FLLVDD [3]	1.14	1.2	1.26	V
Digital supply range I/O	DBVDD1, DBVDD2, DBVDD3	1.71	—	3.6 [4]	V
Charge pump supply range	CPVDD1	1.71	1.8	1.89	V
	CPVDD2	1.14	1.2	1.26	V
Analog supply range ^{5,6}	AVDD	1.71	1.8	1.89	V
Mic bias supply ⁷	MICVDD	0.9	2.5	3.78	V
Ground ⁸	DGND, AGND, CPGND, SUBGND	—	0	—	V
Power supply rise time ^{9,10}	DCVDD	10	—	2000	μs
	All other supplies	10	—	—	μs
Operating temperature range	T _A	-40	—	85	°C

Note: There are no power sequencing requirements; the supplies may be enabled and disabled in any order.

- The DCVDD and FLLVDD pins should be tied to a common supply rail. The associated power domain is referred to as DCVDD.
- Sleep mode is supported for when DCVDD is below the limits noted, provided that AVDD and DBVDD1 are present.
- It is recommended to connect a 100-Ω resistor in series with the FLLVDD pin connection. Note that the minimum voltage limit applies at the supply end of the 100-Ω resistor in this case.
- If the SLIMbus interface is enabled, the maximum DBVDD1 voltage is 1.98 V.
- The AVDD1 and AVDD2 pins should be tied together. The associated power domain is referred to as AVDD.
- The AGND1 and AGND2 pins should be tied together. The associated ground domain is referred to as AGND.
- An internal charge pump and LDO (powered by CPVDD1) provide the mic bias supply; the MICVDD pin must not be connected to an external supply.
- The impedance between DGND, AGND, and SUBGND must not exceed 0.1 Ω.
- If the DCVDD rise time exceeds 2 ms, RESET must be asserted during the rise and held asserted until after DCVDD is within the recommended operating limits.
- The specified minimum power supply rise times assume a minimum decoupling capacitance of 100 nF per pin. However, Cirrus Logic strongly advises that the recommended decoupling capacitors are present on the PCB and that appropriate layout guidelines are observed. The specified minimum power supply rise times also assume a maximum PCB inductance of 10 nH between decoupling capacitor and pin.

Table 3-4. Analog Input Signal Level—IN1xx, IN2xx

Test conditions (unless specified otherwise): AVDD = 1.8V; with the exception of the condition noted, the following electrical characteristics are valid across the full range of recommended operating conditions.

Parameter	Minimum	Typical	Maximum	Units	
Full-scale input signal level (0 dBFS output)	Single-ended PGA input, 0 dB PGA gain	—	0.5	—	V _{RMS}
		—	-6	—	dBV
	Differential PGA input, 0 dB PGA gain	—	1	—	V _{RMS}
		—	0	—	dBV

Notes:

- The full-scale input signal level is also the maximum analog input level, before clipping occurs.
- The full-scale input signal level changes in proportion with AVDD. For differential input, it is calculated as AVDD/1.8.
- A 1.0V_{RMS} differential signal equates to 0.5V_{RMS}/-6dBV per input.
- A sinusoidal input signal is assumed.

Table 3-5. Analog Input Pin Characteristics

Test conditions (unless specified otherwise): T_A = +25°C; with the exception of the condition noted, the following electrical characteristics are valid across the full range of recommended operating conditions.

Parameter	Minimum	Typical	Maximum	Units	
Input resistance	Single-ended PGA input, All PGA gain settings	9	11	—	kΩ
	Differential PGA input, All PGA gain settings	17	22	—	kΩ
Input capacitance	—	—	5	pF	

Table 3-6. Analog Input Gain—Programmable Gain Amplifiers (PGAs)

The following electrical characteristics are valid across the full range of recommended operating conditions.

Parameter	Minimum	Typical	Maximum	Units
Minimum programmable gain	—	0	—	dB
Maximum programmable gain	—	31	—	dB
Programmable gain step size	Guaranteed monotonic	1	—	dB

Table 3-7. Digital Input Signal Level—DMICDATn

The following electrical characteristics are valid across the full range of recommended operating conditions.

Parameter	Minimum	Typical	Maximum	Units	
Full-scale input signal level (0 dBFS output)	0 dB gain	—	-6	—	dBFS

Note: The DMIC input signal level is measured in dBFS, where 0 dBFS is a signal level equal to the full-scale range (FSR) of the PDM input. The FSR is defined as the amplitude of a 1 kHz sine wave whose positive and negative peaks are represented by the maximum and minimum digital codes respectively—this is the largest 1-kHz sine wave that can fit in the digital output range without clipping. Note that, because the definition of FSR is based on a sine wave, the PDM data format can support signals larger than 0 dBFS.

Table 3-8. Output Characteristics

The following electrical characteristics are valid across the full range of recommended operating conditions.

Parameter	Minimum	Typical	Maximum	Units	
Line/headphone/earpiece output driver (HPOUTnL, HPOUTnR)	Load resistance	6	—	—	Ω
	Normal operation, Single-Ended Mode	15	—	—	Ω
	Normal operation, Differential (BTL) Mode Device survival with load applied indefinitely	0	—	—	Ω
Load capacitance	Single-Ended Mode	—	—	500	pF
	Differential (BTL) Mode	—	—	200	pF

Table 3-9. Input/Output Path Characteristics

Test conditions (unless specified otherwise): DBVDD1 = DBVDD2 = DBVDD3 = CPVDD1 = AVDD = 1.8 V, DCVDD = FLLVDD = CPVDD2 = 1.2 V; MICVDD = 3.1 V (powered from internal LDO); T_A = +25°C; 1 kHz sinusoid signal; Fs = 48 kHz; PGA gain = 0 dB, 24-bit audio data.

Parameter	Min	Typ	Max	Units		
Line/headphone/earpiece output driver (HPOUTnL, HPOUTnR)	DC offset at Load	—	50	—	μV	
	Single-ended mode	—	75	—	μV	
Analog input paths (INnL, INnR) to ADC (Differential Input Mode)	SNR (A-weighted), defined in Table 3-1	20 Hz to 20 kHz, 48 kHz sample rate	91	98	—	dB
		20 Hz to 8 kHz, 16 kHz sample rate	—	104	—	dB
	THD, defined in Table 3-1	-1 dBV input	—	-87	—	dB
	THD+N, defined in Table 3-1	-1 dBV input	—	-88	-79	dB
	Channel separation (L/R), defined in Table 3-1	100 Hz to 10 kHz	—	109	—	dB
	Input-referred noise floor	A-weighted, PGA gain = +20 dB	—	2.7	—	μV _{RMS}
	CMRR, defined in Table 3-1	PGA gain = +30 dB	—	79	—	dB
		PGA gain = 0 dB	—	70	—	dB
	PSRR (DBVDDn, CPVDD1, AVDD), defined in Table 3-1	100 mV (peak-peak) 217 Hz	—	93	—	dB
		100 mV (peak-peak) 10 kHz	—	77	—	dB
PSRR (DCVDD, FLLVDD, CPVDD2), defined in Table 3-1	100 mV (peak-peak) 217 Hz	—	98	—	dB	
	100 mV (peak-peak) 10 kHz	—	83	—	dB	
Analog input paths (INnLP, INnRP) to ADC (Single-Ended Input Mode)	SNR (A-weighted), defined in Table 3-1	20 Hz to 20 kHz, 48 kHz sample rate	87	97	—	dB
		20 Hz to 8 kHz, 16 kHz sample rate	—	102	—	dB
	THD, defined in Table 3-1	-7dB V input	—	-86	—	dB
	THD+N, defined in Table 3-1	-7dB V input	—	-85	-78	dB
	Channel separation (L/R), defined in Table 3-1	100 Hz to 10 kHz	—	107	—	dB
	Input-referred noise floor	A-weighted, PGA gain = +20 dB	—	2	—	μV _{RMS}
	PSRR (DBVDDn, CPVDD1, AVDD), defined in Table 3-1	100 mV (peak-peak) 217 Hz	—	77	—	dB
		100 mV (peak-peak) 10 kHz	—	52	—	dB
	PSRR (DCVDD, FLLVDD, CPVDD2), defined in Table 3-1	100 mV (peak-peak) 217 Hz	—	96	—	dB
		100 mV (peak-peak) 10 kHz	—	74	—	dB
Analog input paths (IN2L, IN2R) to ADC (Differential Input, Low Power Mode)	SNR, defined in Table 3-1	A-weighted	—	88	—	dB
	THD, defined in Table 3-1	-4 dBV input	—	-82	—	dB
	THD+N, defined in Table 3-1	-4 dBV input	—	-81	—	dB
	Channel separation (L/R), defined in Table 3-1	100 Hz to 10 kHz	—	98	—	dB
	Input-referred noise floor	A-weighted, PGA gain = +15 dB	—	7.2	—	μV _{RMS}
	CMRR, defined in Table 3-1	PGA gain = +30 dB	—	81	—	dB
		PGA gain = 0 dB	—	70	—	dB
	PSRR (DBVDDn, CPVDD1, AVDD), defined in Table 3-1	100 mV (peak-peak) 217 Hz	—	81	—	dB
		100 mV (peak-peak) 10 kHz	—	47	—	dB
	PSRR (DCVDD, FLLVDD, CPVDD2), defined in Table 3-1	100 mV (peak-peak) 217 Hz	—	96	—	dB
100 mV (peak-peak) 10 kHz		—	65	—	dB	

Table 3-9. Input/Output Path Characteristics (Cont.)

Test conditions (unless specified otherwise): DBVDD1 = DBVDD2 = DBVDD3 = CPVDD1 = AVDD = 1.8 V, DCVDD = FLLVDD = CPVDD2 = 1.2 V; MICVDD = 3.1 V (powered from internal LDO); T_A = +25°C; 1 kHz sinusoid signal; F_s = 48 kHz; PGA gain = 0 dB, 24-bit audio data.

Parameter		Min	Typ	Max	Units	
DAC to line output (HPOUT _{nL} , HPOUT _{nR} ; Load = 10 kΩ, 50 pF)	Full-scale output signal level	0 dBFS input	—	1	—	V _{RMS} dBV
	SNR, defined in Table 3-1	A-weighted, output signal = 1 V _{RMS}	—	127	—	dB
	Dynamic range, defined in Table 3-1	A-weighted, -60 dBFS input	107	115	—	dB
	THD, defined in Table 3-1	0 dBFS input	—	-97	—	dB
	THD+N, defined in Table 3-1	0 dBFS input	—	-94	-85	dB
	Channel separation (L/R), defined in Table 3-1	100 Hz to 10 kHz	—	105	—	dB
	Output noise floor	A-weighted	—	0.45	—	μV _{RMS}
	PSRR (DBVDD _n , CPVDD1, AVDD), defined in Table 3-1	100 mV (peak-peak) 217 Hz 100 mV (peak-peak) 10 kHz	—	124 95	—	dB
	PSRR (DCVDD, FLLVDD, CPVDD2), defined in Table 3-1	100 mV (peak-peak) 217 Hz 100 mV (peak-peak) 10 kHz	—	126 90	—	dB
DAC to headphone output (HPOUT _{nL} , HPOUT _{nR} ; R _L = 32 Ω)	Maximum output power	0.1% THD+N	—	33	—	mW
	SNR, defined in Table 3-1	A-weighted, output signal = 1 V _{RMS}	—	127	—	dB
	Dynamic range, defined in Table 3-1	A-weighted, -60 dBFS input	107	115	—	dB
	THD, defined in Table 3-1	P _O = 20 mW	—	-97	—	dB
	THD+N, defined in Table 3-1	P _O = 20 mW	—	-93	-85	dB
	THD, defined in Table 3-1	P _O = 2 mW	—	-92	—	dB
	THD+N, defined in Table 3-1	P _O = 2 mW	—	-90	—	dB
	Channel separation (L/R), defined in Table 3-1	100 Hz to 10 kHz	—	102	—	dB
	Output noise floor	A-weighted	—	0.45	—	μV _{RMS}
DAC to headphone output (HPOUT _{nL} , HPOUT _{nR} ; R _L = 16 Ω)	Maximum output power	0.1% THD+N	—	46	—	mW
	SNR, defined in Table 3-1	A-weighted, output signal = 1 V _{RMS}	—	127	—	dB
	Dynamic range, defined in Table 3-1	A-weighted, -60 dBFS input	107	115	—	dB
	THD, defined in Table 3-1	P _O = 20 mW	—	-94	—	dB
	THD+N, defined in Table 3-1	P _O = 20 mW	—	-89	-85	dB
	THD, defined in Table 3-1	P _O = 2 mW	—	-88	—	dB
	THD+N, defined in Table 3-1	P _O = 2 mW	—	-86	—	dB
	Channel separation (L/R), defined in Table 3-1	100 Hz to 10 kHz	—	100	—	dB
	Output noise floor	A-weighted	—	0.45	—	μV _{RMS}
DAC to earpiece output (HPOUT _{nL} , HPOUT _{nR} , Mono Mode, R _L = 32 Ω BTL)	Maximum output power	0.1% THD+N	—	109	—	mW
	SNR, defined in Table 3-1	A-weighted, output signal = 2 V _{RMS}	—	128	—	dB
	Dynamic range, defined in Table 3-1	A-weighted, -60 dBFS input	110	119	—	dB
	THD, defined in Table 3-1	P _O = 75 mW	—	-92	—	dB
	THD+N, defined in Table 3-1	P _O = 75 mW	—	-88	—	dB
	THD, defined in Table 3-1	P _O = 5 mW	—	-86	—	dB
	THD+N, defined in Table 3-1	P _O = 5 mW	—	-86	—	dB
	Output noise floor	A-weighted	—	0.60	—	μV _{RMS}
	PSRR (DBVDD _n , CPVDD1, AVDD), defined in Table 3-1	100 mV (peak-peak) 217 Hz 100 mV (peak-peak) 10 kHz	—	125 79	—	dB
PSRR (DCVDD, FLLVDD, CPVDD2), defined in Table 3-1	100 mV (peak-peak) 217 Hz 100 mV (peak-peak) 10 kHz	—	126 86	—	dB	

Table 3-9. Input/Output Path Characteristics (Cont.)

Test conditions (unless specified otherwise): DBVDD1 = DBVDD2 = DBVDD3 = CPVDD1 = AVDD = 1.8 V, DCVDD = FLLVDD = CPVDD2 = 1.2 V; MICVDD = 3.1 V (powered from internal LDO); T_A = +25°C; 1 kHz sinusoid signal; F_s = 48 kHz; PGA gain = 0 dB, 24-bit audio data.

Parameter		Min	Typ	Max	Units	
DAC to earpiece output (HPOUT _{nL} , HPOUT _{nR} , Mono Mode, R _L = 16 Ω BTL)	Maximum output power	0.1% THD+N	—	130	mW	
	SNR, defined in Table 3-1	A-weighted, output signal = 2 V _{RMS}	—	128	dB	
	Dynamic range, defined in Table 3-1	A-weighted, -60 dBFS input	110	119	dB	
	THD, defined in Table 3-1	P _O = 75 mW	—	-96	dB	
	THD+N, defined in Table 3-1	P _O = 75 mW	—	-95	dB	
	THD, defined in Table 3-1	P _O = 5 mW	—	-94	dB	
	THD+N, defined in Table 3-1	P _O = 5 mW	—	-92	dB	
	Output noise floor	A-weighted	—	0.60	μV _{RMS}	
	PSRR (DBVDD _n , CPVDD1, AVDD), defined in Table 3-1	100 mV (peak-peak) 217 Hz	—	125	—	dB
		100 mV (peak-peak) 10 kHz	—	79	—	dB
PSRR (DCVDD, FLLVDD, CPVDD2), defined in Table 3-1	100 mV (peak-peak) 217 Hz	—	126	—	dB	
	100 mV (peak-peak) 10 kHz	—	86	—	dB	

Table 3-10. Digital Input/Output

The following electrical characteristics are valid across the full range of recommended operating conditions.

Parameter		Minimum	Typical	Maximum	Units	
Digital I/O (except DMICDAT1/2 and DMICCLK1/2) ^{1,2}	Input HIGH level	V _{DBVDDn} = 1.71–1.98 V	0.75 × DBVDD _n	—	—	V
		V _{DBVDDn} = 2.5 V ±10%	0.8 × DBVDD _n	—	—	V
		V _{DBVDDn} = 3.3 V ±10%	0.7 × DBVDD _n	—	—	V
	Input LOW level	V _{DBVDDn} = 1.71–1.98 V	—	—	0.3 × DBVDD _n	V
		V _{DBVDDn} = 2.5 V ±10%	—	—	0.25 × DBVDD _n	V
		V _{DBVDDn} = 3.3 V ±10%	—	—	0.2 × DBVDD _n	V
	Output HIGH level (I _{OH} = 1 mA)	V _{DBVDDn} = 1.71–1.98 V	0.75 × DBVDD _n	—	—	V
		V _{DBVDDn} = 2.5 V ±10%	0.65 × DBVDD _n	—	—	V
V _{DBVDDn} = 3.3 V ±10%		0.7 × DBVDD _n	—	—	V	
Output LOW level (I _{OL} = 1 mA)	V _{DBVDDn} = 1.71–1.98 V	—	—	0.25 × DBVDD _n	V	
	V _{DBVDDn} = 2.5 V ±10%	—	—	0.3 × DBVDD _n	V	
	V _{DBVDDn} = 3.3 V ±10%	—	—	0.15 × DBVDD _n	V	
Input capacitance	—	—	5	pF		
Input leakage	—	-10	—	10	μA	
Pull-up/pull-down resistance (where applicable)	—	36	—	50	kΩ	
DMIC I/O (DMICDAT1/2 and DMICCLK1/2) ^{2,3}	DMICDAT _n input HIGH level	0.65 × V _{SUP}	—	—	V	
	DMICDAT _n input LOW level	—	—	0.35 × V _{SUP}	V	
	DMICCLK _n output HIGH level	I _{OH} = 1 mA	0.8 × V _{SUP}	—	—	V
	DMICCLK _n output LOW level	I _{OL} = -1 mA	—	—	0.2 × V _{SUP}	V
	Input capacitance	—	—	25	pF	
	Input leakage	—	-1	—	1	μA
GPIO _n	Clock output frequency	GPIO pin as OPCLK or FLL output	—	—	50	MHz

1. Digital I/O is referenced to DBVDD1, DBVDD2, or DBVDD3.

2. Note that digital input pins should not be left unconnected or floating.

3. DMICDAT1/2 and DMICCLK1/2 are referenced to a selectable supply, V_{SUP}, according to the IN_n_DMIC_SUP fields.

Table 3-11. Miscellaneous Characteristics

Test conditions (unless specified otherwise): DBVDD1 = DBVDD2 = CPVDD1 = AVDD = 1.8 V, DCVDD = FLLVDD = CPVDD2 = 1.2 V; MICVDD = 3.1 V (powered from internal LDO); $T_A = +25^\circ\text{C}$; 1 kHz sinusoid signal; $F_s = 48\text{ kHz}$; PGA gain = 0 dB, 24-bit audio data.

Parameter		Min	Typ	Max	Units	
Microphone bias (MICBIAS n_x) ¹	Minimum bias voltage ²	—	1.5	—	V	
	Maximum bias voltage	—	2.8	—	V	
	Bias voltage output step size	—	0.1	—	V	
	Bias voltage accuracy	-5%	—	+5%	V	
	Bias current ³	Regulator Mode (MICB n _BYPASS = 0), $V_{\text{MICVDD}} - V_{\text{MICBIAS}} > 200\text{ mV}$	—	—	2.4	mA
		Bypass Mode (MICB n _BYPASS = 1)	—	—	5.0	mA
	Output noise density	Regulator Mode (MICB n _BYPASS = 0), MICB n _LVL = 0x4, Load current = 1 mA, Measured at 1 kHz	—	50	—	nV/ $\sqrt{\text{Hz}}$
	Integrated noise voltage	Regulator Mode (MICB n _BYPASS = 0), MICB n _LVL = 0x4, Load current = 1 mA, 100 Hz to 7 kHz, A-weighted	—	4	—	μV_{RMS}
	PSRR (DBVDD n , CPVDD1, AVDD), defined in Table 3-1	100 mV (peak-peak) 217 Hz	—	105	—	dB
100 mV (peak-peak) 10 kHz		—	95	—	dB	
PSRR (DCVDD, FLLVDD, CPVDD2), defined in Table 3-1	100 mV (peak-peak) 217 Hz	—	99	—	dB	
	100 mV (peak-peak) 10 kHz	—	92	—	dB	
Load capacitance ³	Regulator Mode (MICB n _BYPASS = 0), MICB n _EXT_CAP = 0	—	—	50	pF	
	Regulator Mode (MICB n _BYPASS = 0), MICB n _EXT_CAP = 1	0.1	1.0	10	μF	
Output discharge resistance	MICB n_x _ENA = 0, MICB n_x _DISCH = 1	—	2	—	k Ω	
General-purpose switch ⁴	Switch resistance	Switch closed, I = 1 mA	—	40	Ω	
		Switch open	—	100	M Ω	
External Accessory Detect	Headphone detection load impedance range: Detection via HPDET1 (HPD_SENSE_SEL = 100) or HPDET2 (HPD_SENSE_SEL = 101)	HPD_IMPEDANCE_RANGE = 00	4	—	30	Ω
		HPD_IMPEDANCE_RANGE = 01	8	—	100	Ω
		HPD_IMPEDANCE_RANGE = 10	100	—	1000	Ω
		HPD_IMPEDANCE_RANGE = 11	1000	—	10000	Ω
	Headphone detection load impedance range: Detection via MICDET n or JACKDET n pins		400	—	6000	Ω
	Headphone detection accuracy: (HPD_DACVAL, HPD_SENSE_SEL = 100 or 101)	HPD_IMPEDANCE_RANGE = 01 or 10	-5	—	+5	%
		HPD_IMPEDANCE_RANGE = 00 or 11	-10	—	+10	%
	Headphone detection accuracy (HPD_LVL, HPD_SENSE_SEL = 0XX or 11X)		-20	—	+20	%
Microphone impedance detection range: (MICD n _ADC_MODE = 0, 2.2 k Ω \pm 2% MICBIAS resistor. ⁵)	for MICD n _LVL[0] = 1	0	—	70	Ω	
	for MICD n _LVL[1] = 1	110	—	180	Ω	
	for MICD n _LVL[2] = 1	210	—	290	Ω	
	for MICD n _LVL[3] = 1	360	—	680	Ω	
	for MICD n _LVL[8] = 1	1000	—	30000	Ω	
Jack-detection input threshold voltage (JACKDET n)	Detection on JACKDET1, Jack insertion	—	0.9	—	V	
	Detection on JACKDET1, Jack removal	—	1.65	—	V	
	Detection on JACKDET2, Jack insertion	—	0.27	—	V	
	Detection on JACKDET2, Jack removal	—	0.9	—	V	
MICVDD Charge Pump and Regulator (CP2 and LDO2)	Output voltage	0.9	2.7	3.3	V	
	Programmable output voltage step size	LDO2_VSEL = 0x00–0x14 (0.9–1.4V)	—	25	—	mV
		LDO2_VSEL = 0x14 to 0x27 (1.4 V–3.3 V)	—	100	—	mV
	Maximum output current		—	8	—	mA
Start-up time	4.7 μF on MICVDD	—	1.0	2.5	ms	
Frequency-Locked Loop (FLL1, FLL2)	Output frequency	FLL output as SYSCLK or ASYNCLK source	90	—	98.3	MHz
		FLL output as DSPCLK source	135	—	150	MHz
	Lock Time	$F_{\text{REF}} = 32\text{ kHz}$, F_{OUT} (DSPCLK source) = 147.456 MHz	—	5	—	ms
$F_{\text{REF}} = 12\text{ MHz}$, F_{OUT} (DSPCLK source) = 147.456 MHz		—	1	—	ms	
RESET pin input	RESET input pulse width ⁶	1	—	—	μs	

1. No capacitor on MICBIAS n_x . In Regulator Mode, it is required that $V_{\text{MICVDD}} - V_{\text{MICBIAS}} > 200\text{ mV}$.

2. Regulator Mode (MICB n _BYPASS = 0), Load current $\leq 1.0\text{ mA}$.

3. Bias current and load capacitance specifications are per MICBIAS generator (MICBIAS1 or MICBIAS2).

4. The GPSW n pin voltage must not exceed GPSW n P + 0.3 V. See Table 3-2 for voltage limits applicable to the GPSW n P and GPSW n N pins.

5. These characteristics assume no other component is connected to MICDET n .

6. To trigger a hardware reset, the RESET input must be asserted for longer than this duration.

Table 3-12. Device Reset Thresholds

The following electrical characteristics are valid across the full range of recommended operating conditions.

Parameter	Symbol	Minimum	Typical	Maximum	Units
AVDD reset threshold	V _{AVDD} rising	—	—	1.66	V
	V _{AVDD} falling	1.06	—	1.44	V
DCVDD reset threshold	V _{DCVDD} rising	—	—	1.04	V
	V _{DCVDD} falling	0.49	—	0.64	V
DBVDD1 Reset threshold	V _{DBVDD1} rising	—	—	1.66	V
	V _{DBVDD1} falling	1.06	—	1.44	V

Note: The reset thresholds are derived from simulations only, across all operational and process corners. Device performance is not assured outside the voltage ranges defined in [Table 3-3](#).

Table 3-13. System Clock and Frequency-Locked Loop (FLL)

The following timing information is valid across the full range of recommended operating conditions.

Parameter	Minimum	Typical	Maximum	Units		
Master clock timing (MCLK1, MCLK2) ¹	MCLK cycle time	MCLK as input to FLL, FLL _n _REFCLK_DIV = 00	74	—	—	ns
		MCLK as input to FLL, FLL _n _REFCLK_DIV = 01	37	—	—	ns
		MCLK as input to FLL, FLL _n _REFCLK_DIV = 10	18	—	—	ns
		MCLK as input to FLL, FLL _n _REFCLK_DIV = 11	12.5	—	—	ns
		MCLK as direct SYSCLK or ASYNCCLK source	40	—	—	ns
		MCLK duty cycle	MCLK as input to FLL	80:20	—	20:80
		MCLK as direct SYSCLK or ASYNCCLK source	60:40	—	40:60	%
Frequency-locked loop (FLL1, FLL2, FLL_AO)	FLL input frequency	FLL _n _REFCLK_DIV = 00	0.032	—	13.5	MHz
		FLL _n _REFCLK_DIV = 01	0.064	—	27	MHz
		FLL _n _REFCLK_DIV = 11	0.128	—	54	MHz
		FLL _n _REFCLK_DIV = 11	0.256	—	80	MHz
	FLL synchronizer input frequency	FLL _n _SYNCCLK_DIV = 00	0.032	—	13.5	MHz
		FLL _n _SYNCCLK_DIV = 01	0.064	—	27	MHz
		FLL _n _SYNCCLK_DIV = 10	0.128	—	54	MHz
		FLL _n _SYNCCLK_DIV = 11	0.256	—	80	MHz
Internal clocking	SYSCLK frequency	SYSCLK_FREQ = 000, SYSCLK_FRAC = 0	-1%	6.144	+1%	MHz
		SYSCLK_FREQ = 000, SYSCLK_FRAC = 1	-1%	5.6448	+1%	MHz
		SYSCLK_FREQ = 001, SYSCLK_FRAC = 0	-1%	12.288	+1%	MHz
		SYSCLK_FREQ = 001, SYSCLK_FRAC = 1	-1%	11.2896	+1%	MHz
		SYSCLK_FREQ = 010, SYSCLK_FRAC = 0	-1%	24.576	+1%	MHz
		SYSCLK_FREQ = 010, SYSCLK_FRAC = 1	-1%	22.5792	+1%	MHz
		SYSCLK_FREQ = 011, SYSCLK_FRAC = 0	-1%	49.152	+1%	MHz
		SYSCLK_FREQ = 011, SYSCLK_FRAC = 1	-1%	45.1584	+1%	MHz
		SYSCLK_FREQ = 100, SYSCLK_FRAC = 0	-1%	98.304	+1%	MHz
		SYSCLK_FREQ = 100, SYSCLK_FRAC = 1	-1%	90.3168	+1%	MHz
	ASYNCCLK frequency	ASYNC_CLK_FREQ = 000	-1%	6.144	+1%	MHz
			-1%	5.6448	+1%	MHz
		ASYNC_CLK_FREQ = 001	-1%	12.288	+1%	MHz
			-1%	11.2896	+1%	MHz
		ASYNC_CLK_FREQ = 010	-1%	24.576	+1%	MHz
			-1%	22.5792	+1%	MHz
		ASYNC_CLK_FREQ = 011	-1%	49.152	+1%	MHz
			-1%	45.1584	+1%	MHz
		ASYNC_CLK_FREQ = 100	-1%	98.304	+1%	MHz
			-1%	90.3168	+1%	MHz
DSPCLK frequency	5	—	150	MHz		

1. If MCLK1 or MCLK2 is selected as a source for SYSCLK or ASYNCCLK (either directly or via one of the FLLs), the frequency must be within 1% of the applicable SYSCLK_FREQ or ASYNC_CLK_FREQ setting.

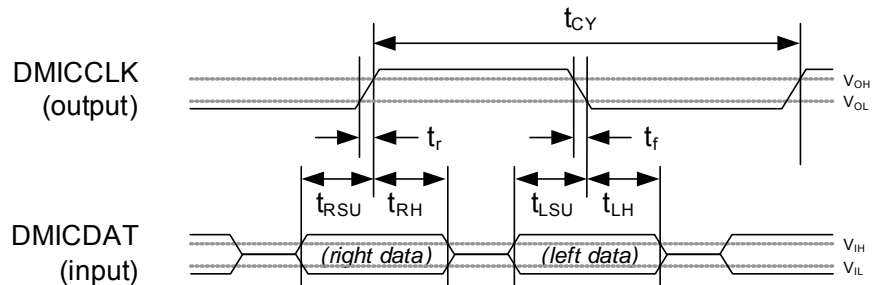
Table 3-14. Digital Microphone (DMIC) Interface Timing

The following timing information is valid across the full range of recommended operating conditions.

Parameter 1	Symbol	Minimum	Typical	Maximum	Units
DMICCLK n cycle time	t_{CY}	160	163	1432	ns
DMICCLK n duty cycle	—	45	—	55	%
DMICCLK n rise/fall time (25-pF load, 1.8-V supply)	t_r, t_f	5	—	30	ns
DMICDAT n (left) setup time to falling DMICCLK edge	t_{LSU}	15	—	—	ns
DMICDAT n (left) hold time from falling DMICCLK edge	t_{LH}	0	—	—	ns
DMICDAT n (right) setup time to rising DMICCLK edge	t_{RSU}	15	— </td <td>—</td> <td>ns</td>	—	ns
DMICDAT n (right) hold time from rising DMICCLK edge	t_{RH}	0	—	—	ns

Note: The voltage reference for the IN1 and IN2 DMIC interfaces is selectable, using the IN n _DMIC_SUP fields—each interface may be referenced to MICVDD, MICBIAS1, or MICBIAS2.

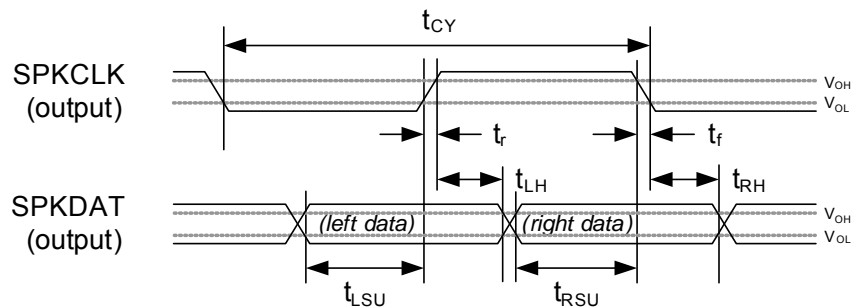
1. DMIC interface timing

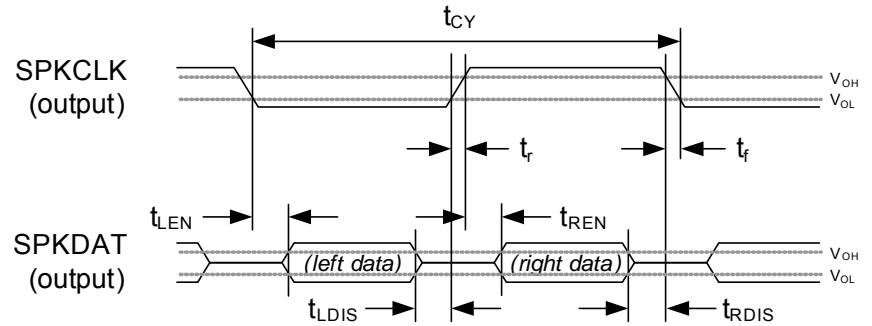

Table 3-15. Digital Speaker (PDM) Interface Timing

The following timing information is valid across the full range of recommended operating conditions.

Parameter		Symbol	Minimum	Typical	Maximum	Units
Mode A ¹	SPKCLK cycle time	t_{CY}	160	163	358	ns
	SPKCLK duty cycle	—	45	—	55	%
	SPKCLK rise/fall time (25-pF load)	t_r, t_f	2	—	8	ns
	SPKDAT set-up time to SPKCLK rising edge (left channel)	t_{LSU}	30	—	—	ns
	SPKDAT hold time from SPKCLK rising edge (left channel)	t_{LH}	30	—	—	ns
	SPKDAT set-up time to SPKCLK falling edge (right channel)	t_{RSU}	30	—	—	ns
	SPKDAT hold time from SPKCLK falling edge (right channel)	t_{RH}	30	—	—	ns
Mode B ²	SPKCLK cycle time	t_{CY}	160	163	358	ns
	SPKCLK duty cycle	—	45	—	55	%
	SPKCLK rise/fall time (25-pF load)	t_r, t_f	2	—	8	ns
	SPKDAT enable from SPKCLK rising edge (right channel)	t_{REN}	—	—	15	ns
	SPKDAT disable to SPKCLK falling edge (right channel)	t_{RDIS}	—	—	5	ns
	SPKDAT enable from SPKCLK falling edge (left channel)	t_{LEN}	—	—	15	ns
	SPKDAT disable to SPKCLK rising edge (left channel)	t_{LDIS}	—	—	5	ns

1. Digital speaker (PDM) interface timing—Mode A



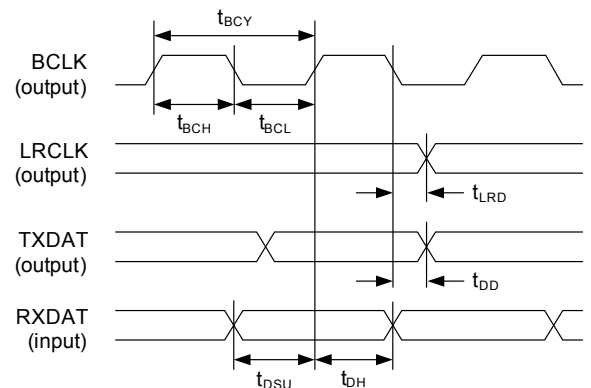
2. Digital speaker (PDM) interface timing—Mode B

Table 3-16. Digital Audio Interface—Master Mode

Test conditions (unless specified otherwise): $C_{LOAD} = 25 \text{ pF}$ (output pins); BCLK slew (10% to 90%) = 3.7–5.6 ns; with the exception of the conditions noted, the following electrical characteristics are valid across the full range of recommended operating conditions.

Parameter ¹		Symbol	Minimum	Typical	Maximum	Units
Master Mode	AIFnBCLK cycle time	t_{BCY}	40	—	—	ns
	AIFnBCLK pulse width high	t_{BCH}	18	—	—	ns
	AIFnBCLK pulse width low	t_{BCL}	18	—	—	ns
	AIFnLRCLK propagation delay from BCLK falling edge ²	t_{LRD}	0	—	8.3	ns
	AIFnTXDAT propagation delay from BCLK falling edge	t_{DD}	0	—	5	ns
	AIFnRXDAT setup time to BCLK rising edge	t_{DSU}	11	—	—	ns
	AIFnRXDAT hold time from BCLK rising edge	t_{DH}	0	—	—	ns
Master Mode, Slave LRCLK	AIFnLRCLK setup time to BCLK rising edge	t_{LRSU}	14	—	—	ns
	AIFnLRCLK hold time from BCLK rising edge	t_{LRH}	0	—	—	ns

Notes: The descriptions above assume noninverted polarity of AIFnBCLK.

1. Digital audio interface timing—Master Mode. Note that BCLK and LRCLK outputs can be inverted if required; the figure shows the default, noninverted polarity.



2. The timing of the AIFnLRCLK signal is selectable. If the LRCLK advance option is enabled, the LRCLK transition is timed relative to the preceding BCLK edge. Under the required condition that BCLK is inverted in this case, the LRCLK transition is still timed relative to the falling BCLK edge.

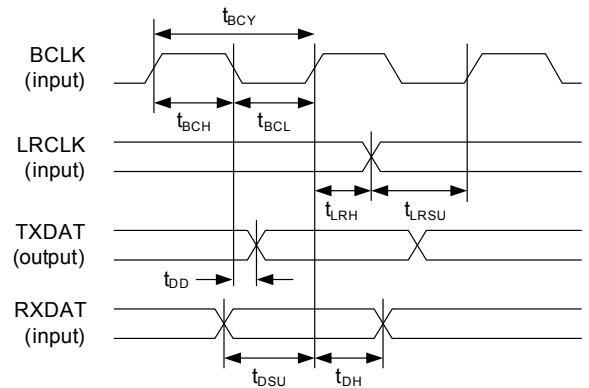
Table 3-17. Digital Audio Interface—Slave Mode

The following timing information is valid across the full range of recommended operating conditions, unless otherwise noted.

Parameter 1,2		Symbol	Min	Typ	Max	Units
AIF _n BCLK cycle time		t _{BCY}	40	—	—	ns
AIF _n BCLK pulse width high		BCLK as direct SYSCLK or ASYNCCLK source	t _{BCH}	16	—	ns
		All other conditions	t _{BCH}	14	—	ns
AIF _n BCLK pulse width low		BCLK as direct SYSCLK or ASYNCCLK source	t _{BCL}	16	—	ns
		All other conditions	t _{BCL}	14	—	ns
C _{LOAD} = 15 pF (output pins), BCLK slew (10%–90%) = 3 ns	AIF _n LRCLK set-up time to BCLK rising edge	t _{LRSU}	7	—	—	ns
	AIF _n LRCLK hold time from BCLK rising edge	t _{LRH}	0	—	—	ns
	AIF _n TXDAT propagation delay from BCLK falling edge	t _{DD}	0	—	12.2	ns
	AIF _n RXDAT set-up time to BCLK rising edge	t _{DSU}	2	—	—	ns
	AIF _n RXDAT hold time from BCLK rising edge	t _{DH}	0	—	—	ns
	Master LRCLK, AIF _n LRCLK propagation delay from BCLK falling edge	t _{LRD}	—	—	14.8	ns
C _{LOAD} = 25 pF (output pins), BCLK slew (10%–90%) = 6 ns	AIF _n LRCLK set-up time to BCLK rising edge	t _{LRSU}	7	—	—	ns
	AIF _n LRCLK hold time from BCLK rising edge	t _{LRH}	0	—	—	ns
	AIF _n TXDAT propagation delay from BCLK falling edge	t _{DD}	0	—	14.2	ns
	AIF _n RXDAT set-up time to BCLK rising edge	t _{DSU}	2	—	—	ns
	AIF _n RXDAT hold time from BCLK rising edge	t _{DH}	0	—	—	ns
	Master LRCLK, AIF _n LRCLK propagation delay from BCLK falling edge	t _{LRD}	—	—	15.9	ns

Note: The descriptions above assume noninverted polarity of AIF_nBCLK.

1. Digital audio interface timing—Slave Mode. Note that BCLK and LRCLK inputs can be inverted if required; the figure shows the default, noninverted polarity.



2. If AIF_nBCLK or AIF_nLRCLK is selected as a source for SYSCLK or ASYNCCLK (either directly or via one of the FLLs), the frequency must be within 1% of the applicable SYSCLK_FREQ or ASYNC_CLK_FREQ setting.

Table 3-18. Digital Audio Interface Timing—TDM Mode

The following timing information is valid across the full range of recommended operating conditions, unless otherwise noted.

Parameter 1		Min	Typ	Max	Units
Master Mode—C _{LOAD} (AIF _n TXDAT) = 15 to 25 pF. BCLK slew (10%–90%) = 3.7ns to 5.6 ns.	AIF _n TXDAT enable time from BCLK falling edge	0	—	—	ns
	AIF _n TXDAT disable time from BCLK falling edge	—	—	6	ns
Slave Mode—C _{LOAD} (AIF _n TXDAT) = 15 pF. BCLK slew (10%–90%) = 3 ns	AIF _n TXDAT enable time from BCLK falling edge	2	—	—	ns
	AIF _n TXDAT disable time from BCLK falling edge	—	—	12.2	ns
Slave Mode—C _{LOAD} (AIF _n TXDAT) = 25 pF. BCLK slew (10%–90%) = 6 ns	AIF _n TXDAT enable time from BCLK falling edge	2	—	—	ns
	AIF _n TXDAT disable time from BCLK falling edge	—	—	14.2	ns

Note: If TDM operation is used on the AIF_nTXDAT pins, it is important that two devices do not attempt to drive the AIF_nTXDAT pin simultaneously. To support this requirement, the AIF_nTXDAT pins can be configured to be tristated when not outputting data.

1. Digital audio interface timing—TDM Mode. The timing of the AIF_nTXDAT tristating at the start and end of the data transmission is shown.

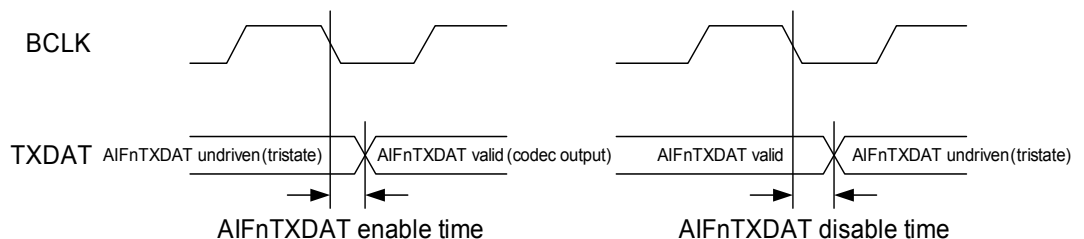


Table 3-19. Control Interface Timing—Two-Wire (I²C) Mode

The following timing information is valid across the full range of recommended operating conditions.

Parameter ¹	Symbol	Min	Typ	Max	Units
SCLK frequency	—	—	—	3400	kHz
SCLK pulse-width low	t_1	160	—	—	ns
SCLK pulse-width high	t_2	100	—	—	ns
Hold time (start condition)	t_3	160	—	—	ns
Setup time (start condition)	t_4	160	—	—	ns
SDA, SCLK rise time (10%–90%)	SCLK frequency > 1.7 MHz	t_6	—	80	ns
	SCLK frequency > 1 MHz	t_6	—	160	ns
	SCLK frequency ≤ 1 MHz	t_6	—	2000	ns
SDA, SCLK fall time (90%–10%)	SCLK frequency > 1.7 MHz	t_7	—	60	ns
	SCLK frequency > 1 MHz	t_7	—	160	ns
	SCLK frequency ≤ 1 MHz	t_7	—	200	ns
Setup time (stop condition)	t_8	160	—	—	ns
SDA setup time (data input)	t_5	40	—	—	ns
SDA hold time (data input)	t_9	0	—	—	ns
SDA valid time (data/ACK output)	SCLK slew (90%–10%) = 20ns, C _{LOAD} (SDA) = 15 pF	t_{10}	—	40	ns
	SCLK slew (90%–10%) = 60ns, C _{LOAD} (SDA) = 100 pF	t_{10}	—	130	ns
	SCLK slew (90%–10%) = 160ns, C _{LOAD} (SDA) = 400 pF	t_{10}	—	190	ns
	SCLK slew (90%–10%) = 200ns, C _{LOAD} (SDA) = 550 pF	t_{10}	—	220	ns
Pulse width of spikes that are suppressed	t_{ps}	0	—	25	ns

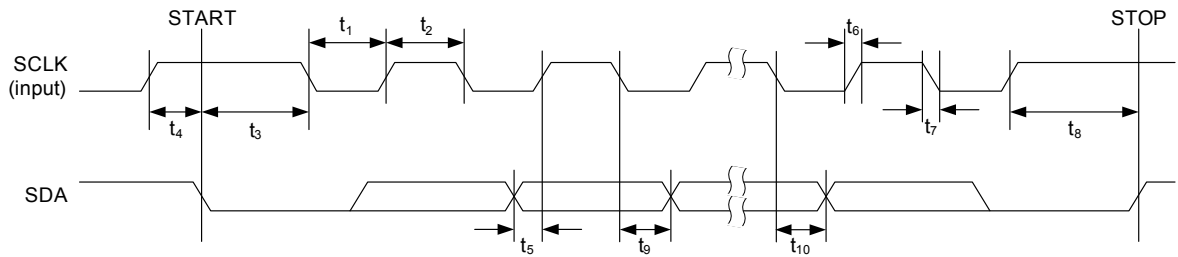
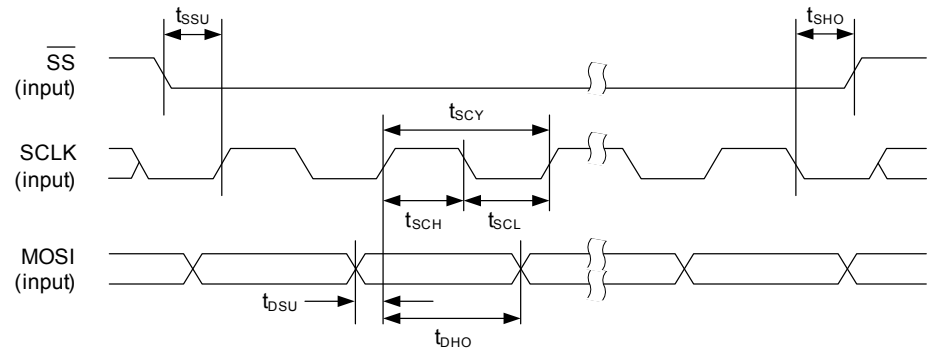
 1. Control interface timing—I²C Mode


Table 3-20. Control Interface Timing—Four-Wire (SPI) Mode

The following timing information is valid across the full range of recommended operating conditions.

Parameter 1, 2	Symbol	Min	Typ	Max	Units
$\overline{\text{SS}}$ falling edge to SCLK rising edge	t_{SSU}	2.6	—	—	ns
SCLK falling edge to $\overline{\text{SS}}$ rising edge	t_{SHO}	0	—	—	ns
SCLK pulse cycle time	SYSCLK disabled (SYSCLK_ENA = 0)	t_{SCY}	38.4	—	ns
	SYSCLK_ENA = 1, SYSCLK_FREQ = 000	t_{SCY}	76.8	—	ns
	SYSCLK_ENA = 1, SYSCLK_FREQ > 000	t_{SCY}	38.4	—	ns
SCLK pulse-width low	t_{SCL}	15.3	—	—	ns
SCLK pulse-width high	t_{SCH}	15.3	—	—	ns
MOSI to SCLK set-up time	t_{DSU}	1.5	—	—	ns
MOSI to SCLK hold time	t_{DHO}	1.7	—	—	ns
SCLK falling edge to MISO transition	t_{DL}	0	—	12.6	ns

1. Control interface timing—SPI Mode (write cycle)



2. Control interface timing—SPI Mode (read cycle)

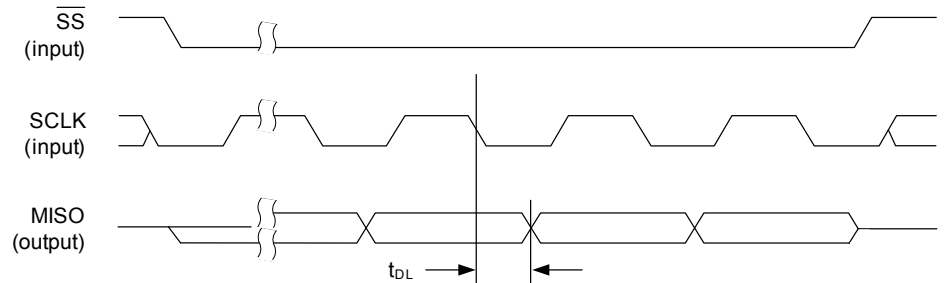


Table 3-21. SLIMbus Interface Timing

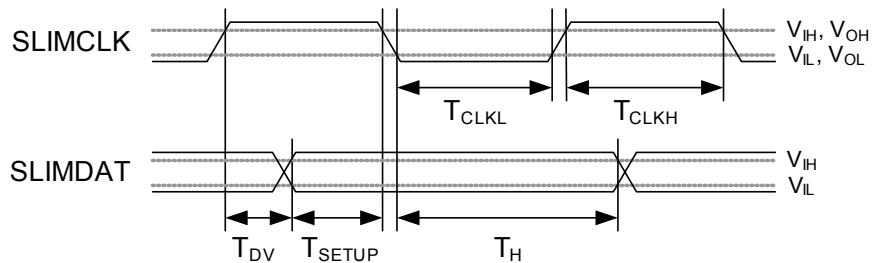
The following timing information is valid across the full range of recommended operating conditions.

Parameter 1		Symbol	Minimum	Typ	Maximum	Units	
SLIMCLK input	SLIMCLK cycle time	—	35	—	—	ns	
	SLIMCLK pulse width high	T_{CLKH}	12	—	—	ns	
	SLIMCLK pulse width low	T_{CLKL}	12	—	—	ns	
SLIMCLK output	SLIMCLK cycle time	—	40	—	—	ns	
	SLIMCLK pulse width high	T_{CLKH}	12	—	—	ns	
	SLIMCLK pulse width low	T_{CLKL}	12	—	—	ns	
	SLIMCLK slew rate (20%–80%)	$C_{LOAD} = 15\text{ pF}, \text{SLIMCLK_DRV_STR} = 0$ $C_{LOAD} = 70\text{ pF}, \text{SLIMCLK_DRV_STR} = 0$ $C_{LOAD} = 70\text{ pF}, \text{SLIMCLK_DRV_STR} = 1$	SR_{CLK} SR_{CLK} SR_{CLK}	$0.09 \times V_{DBVDD1}$ $0.02 \times V_{DBVDD1}$ $0.04 \times V_{DBVDD1}$	— — —	$0.22 \times V_{DBVDD1}$ $0.05 \times V_{DBVDD1}$ $0.11 \times V_{DBVDD1}$	V/ns V/ns V/ns
SLIMDAT input	SLIMDAT setup time to SLIMCLK falling edge	T_{SETUP}	3.5	—	—	ns	
	SLIMDAT hold time from SLIMCLK falling edge	T_H	2	—	—	ns	
SLIMDAT output	SLIMDAT time for data output valid (relative to SLIMCLK rising edge)	$C_{LOAD} = 15\text{ pF}, \text{SLIMDAT_DRV_STR} = 0, \text{DBVDD1} = 1.71\text{ V}$ $C_{LOAD} = 30\text{ pF}, \text{SLIMDAT_DRV_STR} = 1, \text{DBVDD1} = 1.71\text{ V}$ $C_{LOAD} = 30\text{ pF}, \text{SLIMDAT_DRV_STR} = 0, \text{DBVDD1} = 1.71\text{ V}$ $C_{LOAD} = 30\text{ pF}, \text{SLIMDAT_DRV_STR} = 1, \text{DBVDD1} = 1.71\text{ V}$ $C_{LOAD} = 50\text{ pF}, \text{SLIMDAT_DRV_STR} = 0, \text{DBVDD1} = 1.71\text{ V}$ $C_{LOAD} = 50\text{ pF}, \text{SLIMDAT_DRV_STR} = 1, \text{DBVDD1} = 1.71\text{ V}$ $C_{LOAD} = 70\text{ pF}, \text{SLIMDAT_DRV_STR} = 0, \text{DBVDD1} = 1.71\text{ V}$ $C_{LOAD} = 70\text{ pF}, \text{SLIMDAT_DRV_STR} = 1, \text{DBVDD1} = 1.71\text{ V}$	T_{DV} T_{DV} T_{DV} T_{DV} T_{DV} T_{DV} T_{DV} T_{DV}	— — — — — — — —	4.7 4.3 6.8 5.8 9.6 7.9 12.4 10.0	8.1 7.3 11.8 10.0 16.6 13.7 21.5 17.4	ns ns ns ns ns ns ns ns
	SLIMDAT slew rate (20%–80%)	$C_{LOAD} = 15\text{ pF}, \text{SLIMDAT_DRV_STR} = 0$ $C_{LOAD} = 30\text{ pF}, \text{SLIMDAT_DRV_STR} = 0$ $C_{LOAD} = 30\text{ pF}, \text{SLIMDAT_DRV_STR} = 1$ $C_{LOAD} = 70\text{ pF}, \text{SLIMDAT_DRV_STR} = 0$ $C_{LOAD} = 70\text{ pF}, \text{SLIMCLK_DRV_STR} = 1$	SR_{DATA} SR_{DATA} SR_{DATA} SR_{DATA} SR_{DATA}	— — — — —	$0.64 \times V_{DBVDD1}$ $0.35 \times V_{DBVDD1}$ $0.46 \times V_{DBVDD1}$ $0.16 \times V_{DBVDD1}$ $0.21 \times V_{DBVDD1}$	V/ns V/ns V/ns V/ns V/ns	
	Other parameters	Driver disable time	T_{DD}	—	—	6	ns
		Bus holder output impedance	$0.1 \times V_{DBVDD1} < V < 0.9 \times V_{DBVDD1}$	R_{DATAS}	18	—	50

Notes:

- The signal timing information describes the timing requirements of the SLIMbus interface as a whole, not just the CS47L90 device.
- T_{DV} is the propagation delay from the rising SLIMCLK edge (at CS47L90 input) to the SLIMDAT output being achieved at the input to all devices across the bus.
- T_{SETUP} is the set-up time for SLIMDAT input (at CS47L90), relative to the falling SLIMCLK edge (at CS47L90).
- T_H is the hold time for SLIMDAT input (at CS47L90) relative to the falling SLIMCLK edge (at CS47L90).
- For more details of the interface timing, refer to the *MIPI Alliance Specification for Serial Low-Power Inter-Chip Media Bus (SLIMbus)*

1. SLIMbus interface timing.



V_{IL}, V_{IH} are the 35%/65% levels of the respective inputs
 V_{OL}, V_{OH} are the 20%/80% levels of the respective outputs
 The SLIMDAT output delay (T_{DV}) is with respect to the input pads of all receiving devices

Table 3-22. JTAG Interface Timing

Test conditions (unless specified otherwise): $C_{LOAD} = 25 \text{ pF}$ (output pins); TCK slew (20%–80%) = 5 ns; with the exception of the conditions noted, the following electrical characteristics are valid across the full range of recommended operating conditions.

Parameter ¹	Symbol	Minimum	Typical	Maximum	Units
TCK cycle time	T_{CCY}	50	—	—	ns
TCK pulse width high	T_{CCH}	20	—	—	ns
TCK pulse width low	T_{CCL}	20	—	—	ns
TMS setup time to TCK rising edge	T_{MSU}	1	—	—	ns
TMS hold time from TCK rising edge	T_{MH}	2	—	—	ns
TDI setup time to TCK rising edge	T_{DSU}	1	—	—	ns
TDI hold time from TCK rising edge	T_{DH}	2	—	—	ns
TDO propagation delay from TCK falling edge	T_{DD}	0	—	17	ns
TRST setup time to TCK rising edge	T_{RSU}	3	—	—	ns
TRST hold time from TCK rising edge	T_{RH}	3	—	—	ns
TRST pulse-width low	—	20	—	—	ns

1. JTAG Interface timing

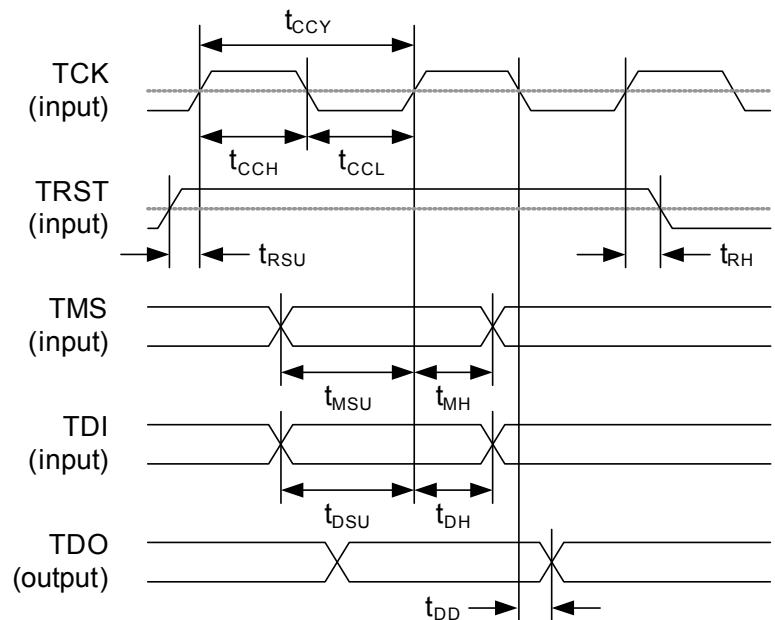


Table 3-23. Typical Power Consumption

Test conditions (unless specified otherwise): DBVDD1 = DBVDD2 = CPVDD1 = AVDD = 1.8 V, DCVDD = FLLVDD = CPVDD2 = 1.2 V; MICVDD = Off (CP2 and LDO2 disabled); T_A = +25°C; Fs = 48 kHz; 24-bit audio data, I²S Slave Mode; SYSCLK = 24.576 MHz (direct MCLK1 input).

Operating Configuration			Typical I _{1.2V} (mA)	Typical I _{1.8V} (mA)	P _{TOT} (mW)
Headphone playback	AIF1 to DAC to HPOUT (stereo), 32-Ω load.	Quiescent	1.85	0.83	3.71
		1-kHz sine wave, P _O = 10 mW	36.72	1.53	46.82
Earpiece playback	AIF1 to DAC to EPOUT, 32-Ω load (BTL).	Quiescent	1.31	0.84	3.08
		1-kHz sine wave, P _O = 30 mW	60.97	1.62	76.08
Stereo line record	Analog line to ADC to AIF1, MICVDD = 1.8V (CP2 and LDO2 bypass enabled).	1-kHz sine wave, -1 dBFS output	1.82	2.28	6.29
Sleep Mode	Accessory detect enabled (JD1_ENA = 1)		0.000	0.010	0.018

Table 3-24. Typical Signal Latency

Test conditions (unless specified otherwise): DBVDD1 = DBVDD2 = CPVDD1 = AVDD = 1.8 V, DCVDD = FLLVDD = CPVDD2 = 1.2 V; MICVDD = Off (CP2 and LDO2 disabled); T_A = +25°C; Fs = 48 kHz; 24-bit audio data, I²S Slave Mode; SYSCLK = 24.576 MHz (direct MCLK1 input).

Operating Configuration		Latency (μs)
AIF to DAC path—digital input (AIF _n) to analog output (HPOUT)	192 kHz input, 192 kHz output, Synchronous	234
	96 kHz input, 96 kHz output, Synchronous	259
	48 kHz input, 48 kHz output, Synchronous	332
	44.1 kHz input, 44.1 kHz output, Synchronous	358
	16 kHz input, 16 kHz output, Synchronous	550
	8 kHz input, 8 kHz output, Synchronous	1076
	8 kHz input, 48 kHz output, Isochronous ¹	1717
	16 kHz input, 48 kHz output, Isochronous ¹	1041
	8 kHz input, 44.1 kHz output, Asynchronous ²	1789
	16 kHz input, 44.1 kHz output, Asynchronous ²	1065
	ADC to AIF path—analog input (IN _n) to digital output (AIF _n) ³	192 kHz input, 192 kHz output, Synchronous
96 kHz input, 96 kHz output, Synchronous		99.6
48 kHz input, 48 kHz output, Synchronous		219
44.1 kHz input, 44.1 kHz output, Synchronous		234
16 kHz input, 16 kHz output, Synchronous		654
8 kHz input, 8 kHz output, Synchronous		1323
8 kHz input, 48 kHz output, Isochronous ¹		1802
16 kHz input, 48 kHz output, Isochronous ¹		994
44.1 kHz input, 8 kHz output, Asynchronous ²		1497
44.1 kHz input, 16 kHz output, Asynchronous ²	881	

1. Signal is routed via the ISRC function in the isochronous cases only.
2. Signal is routed via the ASRC function in the asynchronous cases only.
3. Digital core high-pass filter is included in the signal path.

4 Functional Description

The CS47L90 is a highly integrated, low-power audio hub codec for mobile telephony and portable devices. It provides flexible, high-performance audio interfacing for handheld devices in a small and cost-effective package. It also provides exceptional levels of performance and signal-processing capability, suitable for a wide variety of mobile and handheld devices. The integrated DSP engine supports audiophile-quality playback at sample rates up to 192 kHz.

4.1 Overview

The CS47L90 block diagram is shown in Fig. 4-1.

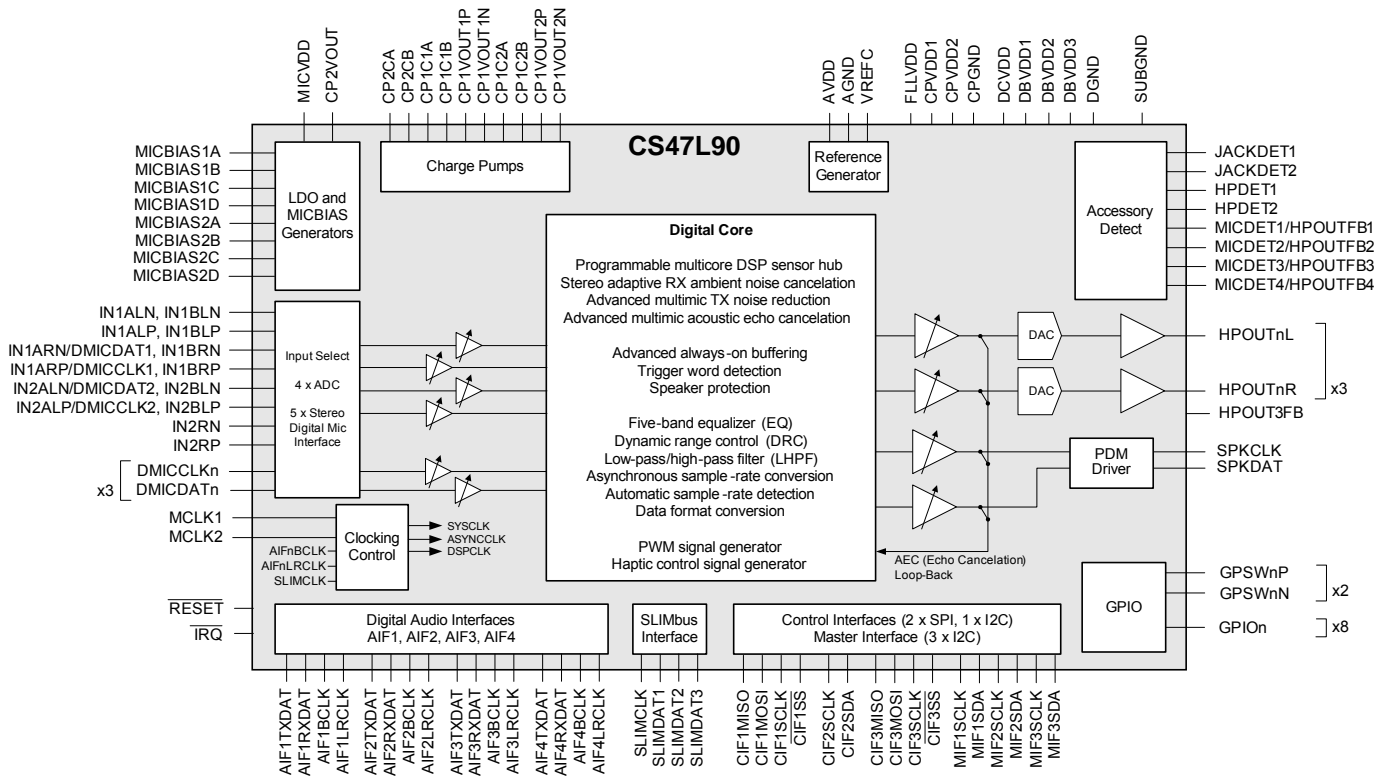


Figure 4-1. CS47L90 Block Diagram

The CS47L90 digital audio core supports a range of fixed-function and programmable DSP capabilities for hi-fi audio applications. Media enhancements such as dynamic range control (DRC) and multiband compression (MBC) are supported. The DSPs are ideally suited to the Cirrus Logic SoundClear™ suite of audio processing algorithms, such as the SoundClear Control always-on voice control software. The DSP cores are integrated within a fully flexible, all-digital mixing and routing engine with sample rate converters, for wide use-case flexibility. Support for third-party DSP programming provides far-reaching opportunities for product differentiation.

The CS47L90 digital audio core incorporates Cirrus Logic ambient noise cancellation (ANC) and provides an extensive capability for signal-processing algorithms, including receive (RX) path noise cancellation, transmit (TX) path noise reduction, acoustic-echo cancellation (AEC), and other programmable filters.

The digital core provides signal-processing capability for sensor-hub functions. The programmable DSP allows many external sensors to be efficiently integrated, enabling increased contextual awareness in a variety of advanced user applications.

The CS47L90 provides multiple digital audio interfaces, including SLIMbus, to provide independent and fully asynchronous connections to different processors (e.g., application processor, baseband processor, and wireless transceiver).

A flexible clocking arrangement supports a wide variety of external clock references, including clocking derived from the digital audio interface. Three frequency-locked loop (FLL) circuits provide additional flexibility for system clocking, including low-power always-on operation. Seamless switching between clock sources is supported, and free-running modes are also available.

Unused circuitry can be disabled under software control to save power; low leakage currents enable extended standby/off time in portable battery-powered applications. The CS47L90 always-on circuitry can be used in conjunction with the applications processor to wake up the device following a headphone jack-detection event.

Versatile GPIO functionality is provided, including support for external accessory/push-button detection inputs. Comprehensive interrupt functions, with status reporting, are also provided.

4.1.1 Hi-Fi Audio Codec

The CS47L90 is a high-performance, low-power audio codec that uses a simple analog architecture. Four ADCs are incorporated, with multiplexers to support up to seven analog inputs. Six DACs are incorporated, providing a dedicated DAC for each analog output channel.

The audio codec is controlled directly via register access. The simple analog architecture, combined with the integrated tone generator, enables straightforward device configuration and testing, minimizing debug time and reducing software effort.

Seven analog inputs are provided, each supporting single-ended or differential input modes. In differential mode, the input path SNR is 104 dB (16-kHz sample rate, i.e., wideband voice mode). The ADC input paths can be bypassed, supporting up to 10 channels of DMIC input. The input paths can be configured for low-power operation, ideal for analog or digital microphone input in always-on applications.

The analog outputs comprise three 33-mW (127 dB SNR) stereo headphone amplifiers with ground-referenced output. The output drivers are designed to support as many different system architectures as possible and are compatible with line or headphone loads in single-ended or differential (BTL) configurations. Each output has a dedicated DAC that allows mixing, equalization, filtering, gain, and other audio processing to be configured independently for each channel—this allows each signal path to be individually tailored for the load characteristics. Selectable hi-fi filters support audiophile playback modes at sample rates up to 192 kHz. All outputs have integrated pop and click suppression features.

The headphone output drivers are ground-referenced, powered from an integrated charge pump, enabling high quality, power efficient headphone playback without any requirement for DC blocking capacitors. Ground loop feedback is incorporated, providing rejection of noise on the ground connections.

The CS47L90 is cost optimized for a wide range of mobile phone applications. External speaker amplifiers can be connected using the stereo PDM outputs; this can ease layout and electromagnetic compatibility by avoiding the need to run high-power speaker outputs over a long distance and across interconnects.

4.1.2 Digital Audio Core

The CS47L90 uses a core architecture based on all-digital signal routing, making digital audio effects available on all signal paths, regardless of whether the source data input is analog or digital. The digital mixing desk allows different audio effects to be applied simultaneously on many independent paths, while supporting a variety of sample rates. This helps support many new audio use cases. Soft mute and unmute control allows smooth transitions between use cases without interrupting existing audio streams elsewhere.

The CS47L90 digital core provides an extensive capability for programmable signal-processing algorithms. The SoundClear suite of software algorithms enable advanced multimic audio features, such as transmit (TX) path noise reduction, AEC, wind-noise reduction, and other programmable filters. Enhancements such as DRC and MBC are also provided.

The digital core also provides signal-processing capability for sensor hub functions of the CS47L90. Sensors and accessories can be connected through three master I²C interfaces; the programmable DSP, together with peripheral timer and event-logging functions, enables applications to use these inputs to support increased contextual awareness, including advanced motion sensing and navigation functionality.

The ANC processor within the CS47L90 provides the capability to improve the intelligibility of a voice call by using destructive interference to reduce the acoustic energy of the ambient sound. Transmit (TX) path noise reduction and multimic AEC algorithms are also supported. The CS47L90 is ideal for mobile telephony, providing enhanced voice communication quality for both near-end and far-end users in a wide variety of applications. The SoundClear Control voice command recognition software is supported, for low-power always-on features.

Highly flexible digital mixing, including mixing between audio interfaces, is possible. The CS47L90 performs multichannel full-duplex asynchronous sample-rate conversion, providing use-case flexibility across a broad range of system architectures. Automatic sample-rate detection is provided, enabling seamless wideband/narrowband voice call handover.

DRC functions are available for optimizing audio signal levels. In playback modes, the DRC can be used to maximize loudness, while limiting the signal level to avoid distortion, clipping, or battery droop, for high-power output drivers such as speaker amplifiers. In record modes, the DRC assists in applications where the signal level is unpredictable.

The five-band parametric EQ functions can be used to compensate for the frequency characteristics of the output transducers. EQ functions can be cascaded to provide additional frequency control. Programmable high-pass and low-pass filters are also available for general filtering applications, such as removal of wind and other low-frequency noise.

4.1.3 Digital Interfaces

Four serial digital audio interfaces (AIFs) each support PCM, TDM, and I²S data formats for compatibility with most industry-standard chipsets. AIF1 and AIF2 support eight input/output channels; AIF3 and AIF4 support two input/output channels each. Bidirectional operation at sample rates up to 192 kHz is supported. Data words of up to 32 bits can be routed through AIF1 and AIF3. Data-format conversion (DFC) functions are available to support different interface standards on the input and output signal paths.

Ten digital PDM input channels are available (five stereo interfaces); these are typically used for digital microphones, powered from the integrated MICBIAS power-supply regulators. Two PDM output channels are also available (one stereo interface); these are typically used for external power amplifiers. Embedded mute codes provide a control mechanism for external PDM-input devices.

The CS47L90 features a SLIMbus interface, compliant with the MIPI® SLIMbus specification, providing eight channels of audio input/output. Mixed audio sample rates are supported on the SLIMbus interface. The SLIMbus interface also supports read/write access to the CS47L90 control registers.

An IEC-60958-3-compatible S/PDIF transmitter is incorporated, enabling stereo S/PDIF output on a GPIO pin. Standard S/PDIF sample rates of 32–192 kHz are supported.

Control register access and high bandwidth data transfer are supported by two slave SPI interfaces and a slave I²C control interface. The SPI interfaces operate up to 26 MHz; the I²C slave interface operates up to 3.4 MHz. Full access to the register map is also provided via the SLIMbus port.

The CS47L90 incorporates three master I²C interfaces, offering capability for additional sensor/accessory input. Typical sensors include accelerometers, gyroscopes and magnetometers for motion sensing and navigation applications. Other example accessories include barometers, or ambient light sensors, for environmental awareness.

4.1.4 Other Features

The CS47L90 incorporates a tone generator that can be used for beep functions through any of the audio signal paths. The tone generator provides two 1-kHz outputs, with configurable phase relationship, offering flexibility to create differential signals or test scenarios.

A white-noise generator is provided that can be routed within the digital core. The noise generator can provide comfort noise in cases where silence (digital mute) is not desirable.

Two pulse-width modulation (PWM) signal generators are incorporated. The duty cycle of each PWM signal can be modulated by an audio source or can be set to a fixed value using a control register setting. The PWM signal generators can be output directly on a GPIO pin.

The CS47L90 supports up to 38 GPIO pins, offering a range of input/output functions for interfacing, for detection of external hardware, and for providing logic outputs to other devices. The CS47L90 provides 8 dedicated GPIO pins; a further 30 GPIOs are multiplexed with other functions. Comprehensive interrupt functionality is also provided for monitoring internal and external event conditions.

A signal generator for controlling haptics devices is included, compatible with both eccentric rotating mass (ERM) and linear resonant actuator (LRA) haptics devices. The haptics signal generator is highly configurable and can execute programmable drive event profiles, including reverse drive control. An external vibrate actuator can be driven using the PDM digital output path.

The CS47L90 incorporates eight general-purpose timers, providing support for the sensor-hub connectivity. Sensor event logging, and other real time application functions, allows many advanced functions to be implemented with a high degree of autonomy from a host processor.

A smart accessory interface is included, supporting a wide variety of system configurations. Jack detection, accessory sensing, and impedance measurement is provided, for external headset and push-button detection. Dual headphone connections (e.g., 3.5 mm and USB-C) can be detected simultaneously. Accessory detection can be used as a wake-up trigger from low-power standby. Microphone activity detection with interrupt is also available.

System clocking can be derived from the MCLK1 or MCLK2 input pins. Alternatively, the SLIMbus interface, or the audio interfaces (configured in Slave Mode), can be used to provide a clock reference. The CS47L90 also provides three integrated FLL circuits for clock frequency conversion and stability. The flexible clocking architecture supports low-power always-on operation, with reference frequencies down to 32 kHz. Seamless switching between clock sources is supported; free-running FLL modes are also available.

The CS47L90 is powered from 1.8- and 1.2-V external supplies. Integrated charge-pump and LDO-regulator circuits are used to generate supply rails for internal functions and to support powering or biasing of external microphones. Power consumption is optimized across a wide variety of voice and multimedia use cases.

4.2 Input Signal Path

The CS47L90 provides flexible input channels, supporting up to 7 analog inputs or up to 10 digital inputs. Selectable combinations of analog (mic or line) and digital inputs are multiplexed into five stereo input signal paths. Input paths IN1 and IN2 support analog and digital inputs; Input paths IN3, IN4, and IN5 support digital inputs only.

The analog input paths support single-ended and differential configurations, programmable gain control, and are digitized using a high performance sigma-delta ADC. The IN2 analog input paths can be configured for low-power operation, ideal for always-on applications.

The digital input paths interface directly with external digital microphones; a separate microphone interface clock is provided for five separate stereo pairs of digital microphones.

Two microphone bias (MICBIAS) generators provide a low-noise reference for biasing electret condenser microphones (ECMs) or for use as a low-noise supply for MEMS microphones and digital microphones. Switchable outputs from the MICBIAS generators allow eight separate reference/supply outputs to be independently controlled.

Digital volume control is available on all inputs (analog and digital), with programmable ramp control for smooth, glitch-free operation. A configurable signal-detect function is available on each input signal path.

The IN1 and IN2 signal paths and control fields are shown in [Fig. 4-2](#). The IN3, IN4, and IN5 signal paths support digital microphone input only.

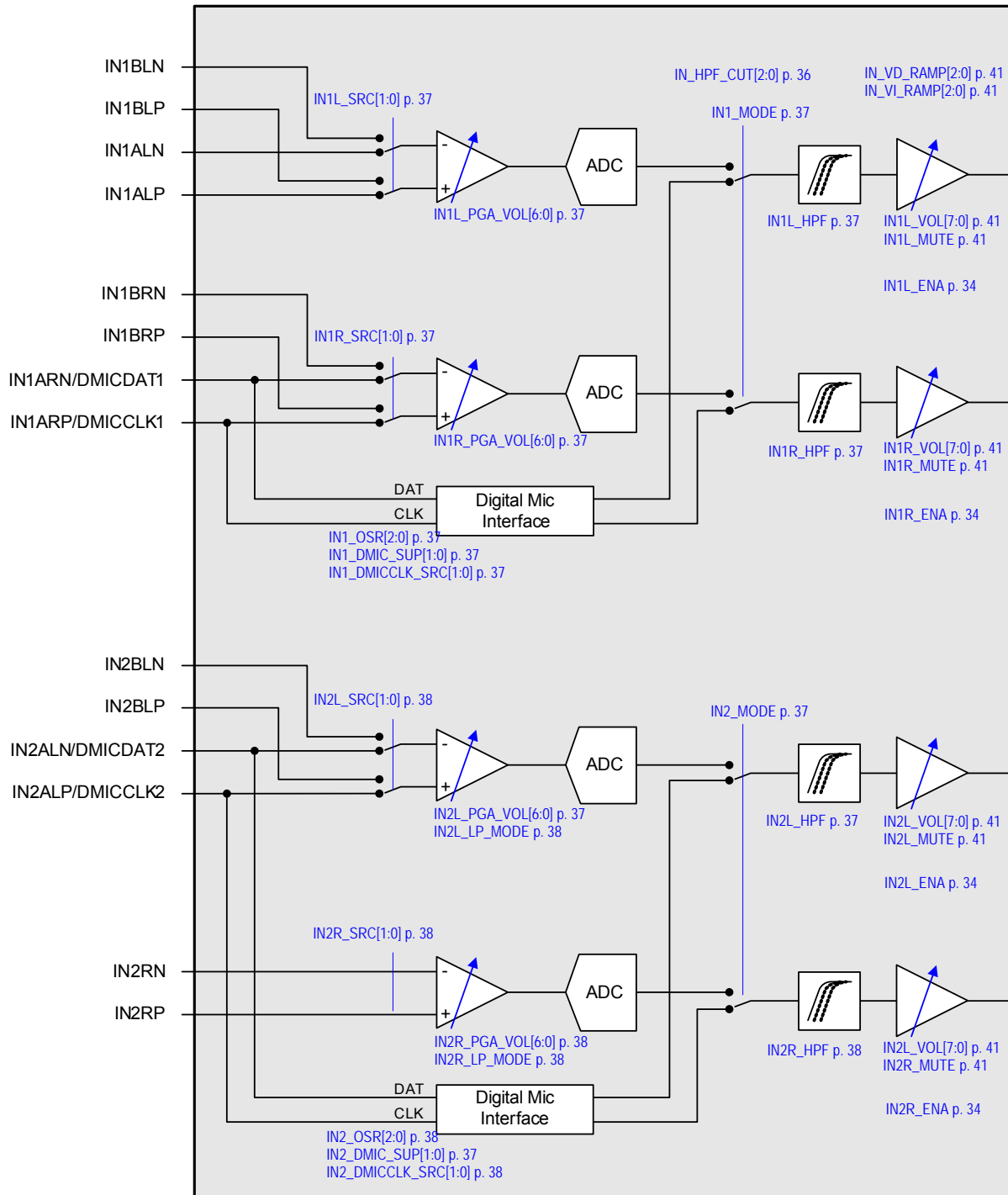


Figure 4-2. Input Signal Paths

4.2.1 Analog Microphone Input

Up to seven analog microphones can be connected to the CS47L90, either in single-ended or differential configuration. The input configuration and pin selection is controlled using IN_{nX_SRC} , as described in [Section 4.2.6](#).

The CS47L90 includes external accessory-detection circuits that can report the presence of a microphone and the status of a hook switch or other push buttons. When using this function, it is recommended to use the IN1B or IN2B analog microphone input paths to ensure best immunity to electrical transients arising from the push buttons.

For single-ended input, the microphone signal is connected to the noninverting input of the PGAs (IN_nLP or IN_nRP). The inverting inputs of the PGAs are connected to an internal reference in this configuration.

For differential input, the noninverted microphone signal is connected to the noninverting input of the PGAs (IN_nLP or IN_nRP), while the inverted (or noisy ground) signal is connected to the inverting input pins (IN_nLN or IN_nRN).

Note: Pseudodifferential connection is also possible—this is similar to the configuration shown in Fig. 4-4, but the GND connection is directly to the microphone (and IN_nxN capacitor), instead of via a resistor. This is the recommended configuration if the external accessory detection functions on the CS47L90 are used. The IN_nx_SRC field settings are the same for pseudodifferential connection as for differential.

The gain of the input PGAs is controlled via register settings, as defined in Section 4.2.6. Note that the input impedance of the analog input paths is fixed across all PGA gain settings.

The ECM analog input configurations are shown in Fig. 4-3 and Fig. 4-4. The integrated MICBIAS generators provide a low noise reference for biasing the ECMs.

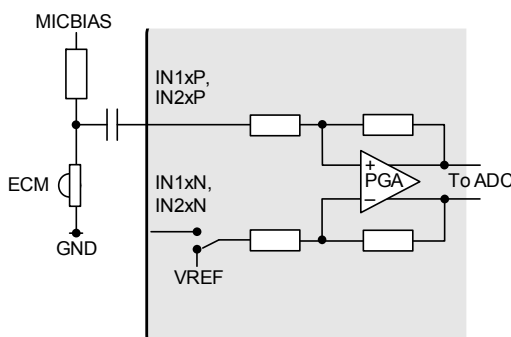


Figure 4-3. Single-Ended ECM Input

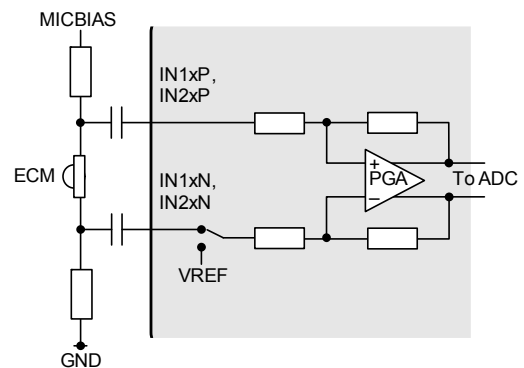


Figure 4-4. Differential ECM Input

Analog MEMS microphones can be connected to the CS47L90 in a similar manner to the ECM configurations. Typical configurations are shown in Fig. 4-5 and Fig. 4-6. In this configuration, the integrated MICBIAS generators provide a low-noise power supply for the microphones.

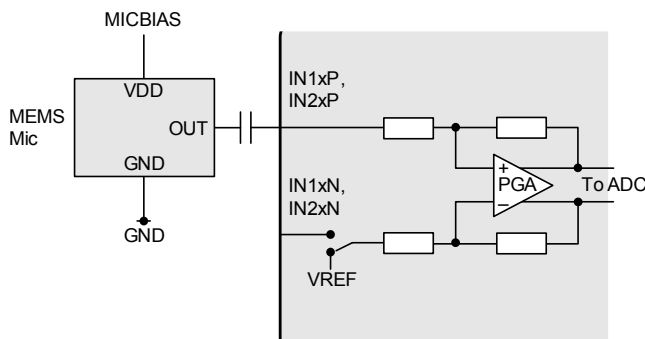


Figure 4-5. Single-Ended MEMS Input

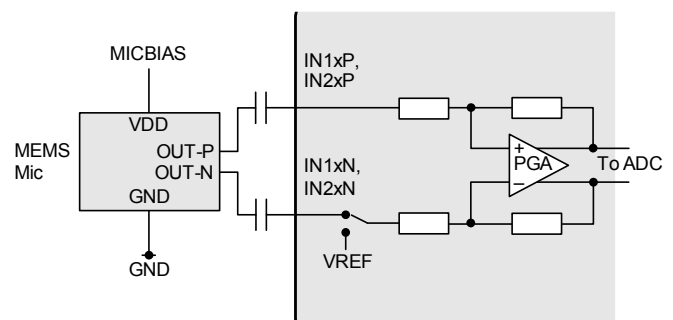


Figure 4-6. Differential MEMS Input

Note: The MICVDD pin can also be used (instead of MICBIAS) as a reference or power supply for external microphones. The MICBIAS outputs are recommended, because they offer better noise performance and independent enable/disable control.

4.2.2 Analog Line Input

Line inputs can be connected to the CS47L90 in a similar manner to the mic inputs. Single-ended and differential configurations are supported on each analog input path, using the IN_nx_SRC bits as described in Section 4.2.6.

The analog line input configurations are shown in Fig. 4-7 and Fig. 4-8. Note that the microphone bias (MICBIAS) is not used for line input connections.

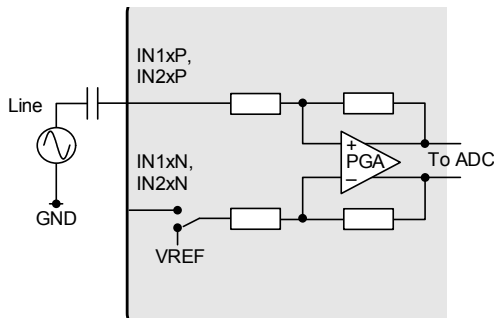


Figure 4-7. Single-Ended Line Input

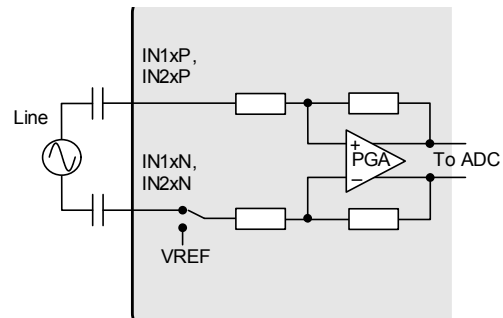


Figure 4-8. Differential Line Input

4.2.3 DMIC Input

As many as 10 digital microphones can be connected to the CS47L90. DMIC operation on input paths IN1 and IN2 is selected using IN_n_MODE , as described in Section 4.2.6. DMIC operation on input paths IN3, IN4, and IN5 is implemented on multifunction GPIO pins, which must be configured for the respective DMIC functions when required; see Section 4.15 to configure the GPIO pins for DMIC operation.

In DMIC mode, two channels of audio data are multiplexed on the associated $DMICDAT_n$ pin. The clock signal for each DMIC interface is selected using the $IN_n_DMICCLK_SRC$ bit. By default, and for typical use cases, each interface is clocked using the respective $DMICCLK_n$ pin output.

- If DMIC input is enabled, and $DMICCLK$ is selected as the timing clock, the CS47L90 outputs the DMIC clock on the applicable $DMICCLK_n$ pins. The $DMICCLK_n$ frequency is controlled by the respective IN_n_OSR field, as described in Table 4-1 and Table 4-3.
If the 384- or 768-kHz $DMICCLK_n$ frequency is selected, the maximum valid sample rate for the respective paths is restricted as described in Table 4-1. If the input sample rates are set globally using IN_RATE (i.e., $IN_RATE_MODE = 0$), all input paths are affected similarly.
- If $SPKCLK$ is selected as the DMIC clock, the $DMICDAT_n$ signals are timed with respect to the PDM output interface (see Section 4.12.9). This allows a two-way audio interface to be supported, using a shared clock signal. In this configuration, IN_n_OSR must select the same DMIC clock frequency as the $SPKCLK$ output (3.072 MHz or 6.144 MHz).

Note that $SYSCLK$ must be present and enabled when using the DMIC inputs; see Section 4.17 for details of $SYSCLK$ and the associated registers.

The DMIC clock frequencies in Table 4-1 assume that the $SYSCLK$ frequency is a multiple of 6.144 MHz ($SYSCLK_FRAC = 0$). If the $SYSCLK$ frequency is a multiple of 5.6448 MHz ($SYSCLK_FRAC = 1$), the DMIC clock frequencies are scaled accordingly.

Table 4-1. DMICCLK Frequency

Condition	DMIC Clock Frequency	Valid Sample Rates	Signal Passband
$IN_n_OSR = 010$	384 kHz	Up to 48 kHz	Up to 4 kHz
$IN_n_OSR = 011$	768 kHz	Up to 96 kHz	Up to 8 kHz
$IN_n_OSR = 100$	1.536 MHz	Up to 192 kHz	Up to 20 kHz
$IN_n_OSR = 101$	3.072 MHz	Up to 192 kHz	Up to 20 kHz
$IN_n_OSR = 110$	6.144 MHz	Up to 192 kHz	Up to 96 kHz

The voltage reference for the IN1 and IN2 DMIC interfaces is selectable, using $IN_n_DMIC_SUP$; each interface may be referenced to $MICVDD$, $MICBIAS1$, or $MICBIAS2$. The voltage reference for each digital input path should be set equal to the applicable power supply of the respective microphones.

The voltage reference for the IN3, IN4, and IN5 digital microphone interfaces is DBVDD3. The power supply for digital microphones on these input paths should be set equal to the DBVDD3 voltage.

The voltage reference for the PDM output interface is DBVDD2. If SPKCLK is selected as the DMIC clock, it is advised to take care to ensure compatibility of the respective power domains.

A pair of digital microphones is connected as shown in Fig. 4-9—assuming DMICCLK is the selected clock source. The microphones must be configured to ensure that the left mic transmits a data bit when DMICCLK is high and the right mic transmits a data bit when DMICCLK is low. The CS47L90 samples the DMIC data at the end of each DMICCLK phase. Each microphone must tristate its data output when the other microphone is transmitting.

Note that the CS47L90 provides integrated pull-down resistors on the DMICDAT_n pins. This provides a flexible capability for interfacing with other devices.

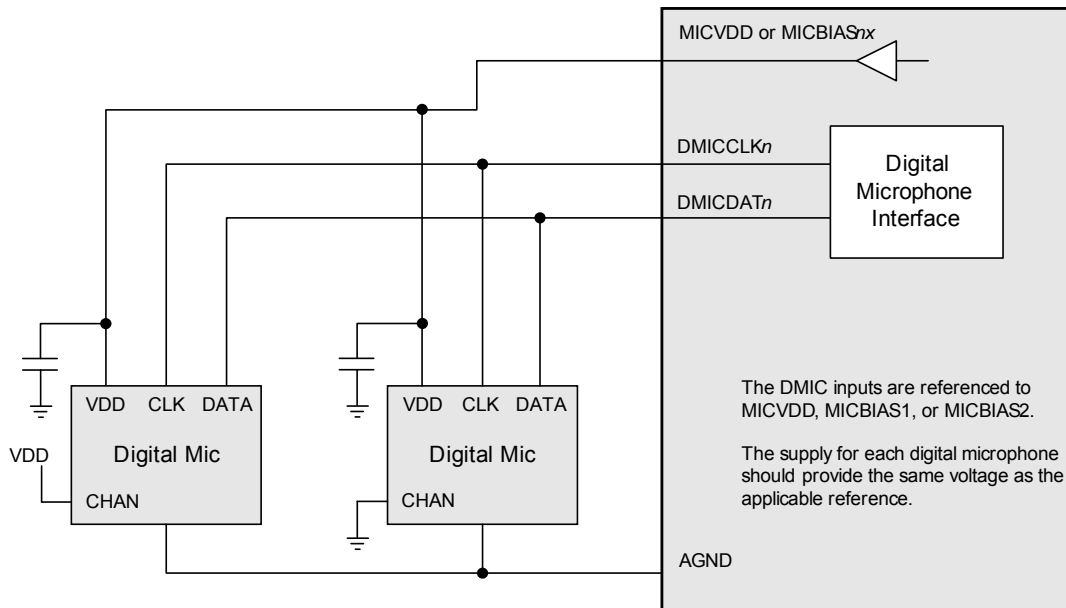


Figure 4-9. DMIC Input

Two DMIC channels are interleaved on DMICDAT_n. The DMIC interface timing is shown in Fig. 4-10. Each microphone must tristate its data output when the other microphone is transmitting.

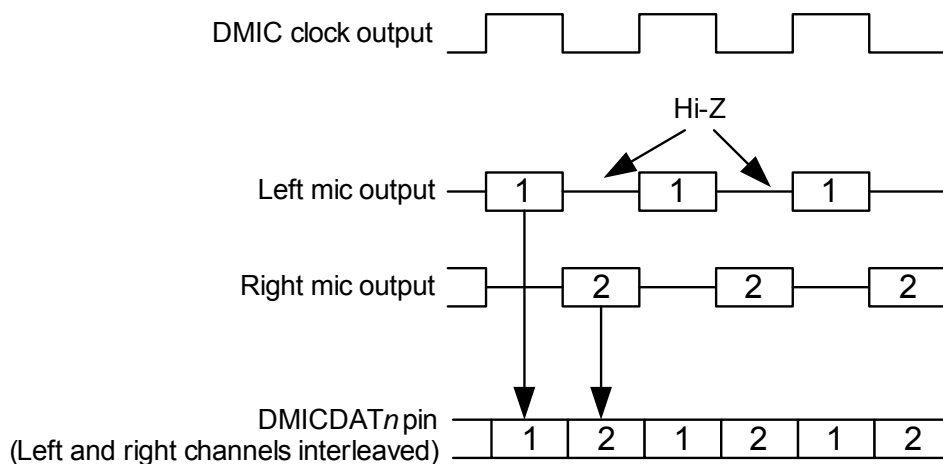


Figure 4-10. DMIC Interface Timing

4.2.4 Input Signal Path Enable

The input signal paths are enabled using the bits described in [Table 4-2](#). The respective bits must be enabled for analog or digital input on the respective input paths.

The input signal paths are muted by default. It is recommended that deselecting the mute should be the final step of the path enable control sequence. Similarly, the mute should be selected as the first step of the path-disable control sequence. The input signal path mute functions are controlled using the bits described in [Table 4-6](#).

The MICVDD power domain must be enabled when using the analog input signal paths. This power domain is provided using an internal charge pump (CP2) and LDO regulator (LDO2). See [Section 4.20](#) for details of these circuits.

The system clock, SYSCLK, must be configured and enabled before any audio path is enabled. The ASYNCCLK and 32-kHz clock may also be required, depending on the path configuration. See [Section 4.17](#) for details of the system clocks.

The CS47L90 performs automatic checks to confirm that the SYSCLK frequency is high enough to support the input signal paths and associated ADCs. If the frequency is too low, an attempt to enable an input signal path fails. Note that active paths are not affected under such circumstances.

The status bits in Register R769 indicate the status of each input signal path. If an underclocked error condition occurs, these bits indicate which input signal paths have been enabled.

Table 4-2. Input Signal Path Enable

Register Address	Bit	Label	Default	Description
R768 (0x0300) Input_Enables	9	IN5L_ENA	0	Input Path 5 (left) enable 0 = Disabled 1 = Enabled
	8	IN5R_ENA	0	Input Path 5 (right) enable 0 = Disabled 1 = Enabled
	7	IN4L_ENA	0	Input Path 4 (left) enable 0 = Disabled 1 = Enabled
	6	IN4R_ENA	0	Input Path 4 (right) enable 0 = Disabled 1 = Enabled
	5	IN3L_ENA	0	Input Path 3 (left) enable 0 = Disabled 1 = Enabled
	4	IN3R_ENA	0	Input Path 3 (right) enable 0 = Disabled 1 = Enabled
	3	IN2L_ENA	0	Input Path 2 (left) enable 0 = Disabled 1 = Enabled
	2	IN2R_ENA	0	Input Path 2 (right) enable 0 = Disabled 1 = Enabled
	1	IN1L_ENA	0	Input Path 1 (left) enable 0 = Disabled 1 = Enabled
	0	IN1R_ENA	0	Input Path 1 (right) enable 0 = Disabled 1 = Enabled

Table 4-2. Input Signal Path Enable (Cont.)

Register Address	Bit	Label	Default	Description
R769 (0x0301) Input_Enables_Status	9	IN5L_ENA_STS	0	Input Path 5 (left) enable status 0 = Disabled 1 = Enabled
	8	IN5R_ENA_STS	0	Input Path 5 (right) enable status 0 = Disabled 1 = Enabled
	7	IN4L_ENA_STS	0	Input Path 4 (left) enable status 0 = Disabled 1 = Enabled
	6	IN4R_ENA_STS	0	Input Path 4 (right) enable status 0 = Disabled 1 = Enabled
	5	IN3L_ENA_STS	0	Input Path 3 (left) enable status 0 = Disabled 1 = Enabled
	4	IN3R_ENA_STS	0	Input Path 3 (right) enable status 0 = Disabled 1 = Enabled
	3	IN2L_ENA_STS	0	Input Path 2 (left) enable status 0 = Disabled 1 = Enabled
	2	IN2R_ENA_STS	0	Input Path 2 (right) enable status 0 = Disabled 1 = Enabled
	1	IN1L_ENA_STS	0	Input Path 1 (left) enable status 0 = Disabled 1 = Enabled
	0	IN1R_ENA_STS	0	Input Path 1 (right) enable status 0 = Disabled 1 = Enabled

4.2.5 Input Signal Path Sample-Rate Control

The input signal paths may be selected as input to the digital mixers or signal-processing functions within the CS47L90 digital core. The sample rate for the input signal paths can be set globally, or can be configured independently for each input channel.

The IN_RATE_MODE bit (defined in [Table 4-3](#)) controls whether the input sample rates are set globally using IN_RATE, or independently for each input channel using the IN_{*n*}x_RATE fields (where *n* is 1–5 and *x* is L or R for the left/right channels respectively). The IN_RATE and IN_{*n*}x_RATE fields are defined in [Table 4-26](#).

Note that sample-rate conversion is required when routing the input signal paths to any signal chain that is asynchronous or configured for a different sample rate.

4.2.6 Input Signal Path Configuration

The CS47L90 supports up to 7 analog inputs or up to 10 digital inputs. Selectable combinations of analog (mic or line) and digital inputs are multiplexed into two stereo input signal paths.

Input paths IN1 and IN2 can be configured for single-ended, differential, or DMIC operation. The analog input configuration and pin selection is controlled using the IN_{*n*}x_SRC bits; digital input mode is selected by setting IN_{*n*}_MODE. Note that input paths IN3, IN4, and IN5 support digital inputs only.

A configurable high-pass filter (HPF) is provided on the left and right channels of each input path. The applicable cut-off frequency is selected using IN_HPFCUT. The filter can be enabled on each path independently using the IN_{*n*}x_HPFBITS bits.

The analog input signal paths (single-ended or differential) each incorporate a PGA to provide gain in the range 0 dB to +31 dB in 1-dB steps. Note that these PGAs do not provide pop suppression functions; it is recommended that the gain should not be adjusted while the respective signal path is enabled.

The analog input PGA gain is controlled using `INnL_PGA_VOL` and `INnR_PGA_VOL`. Note that separate volume control is provided for the left and right channels of each stereo pair.

If DMIC input is selected, the respective interface timing clock can be selected using `INn_DMICCLK_SRC`. If `DMICCLKn` is selected, the clock frequency is controlled by the respective `INn_OSR` field. If `SPKCLK` is selected as the DMIC interface clock, `INn_OSR` must be set to the same frequency as the `SPKCLK` output.

If the `IN1` or `IN2` input signal path is configured for DMIC input, the voltage reference for the associated input/output pins is selectable using the `INn_DMIC_SUP` fields—each interface may be referenced to `MICVDD`, `MICBIAS1`, or `MICBIAS2`. The voltage reference for each digital input path should be set equal to the applicable power supply of the respective microphones.

The voltage reference for the `IN3`, `IN4`, and `IN5` digital microphone interfaces is `DBVDD3`. The power supply for digital microphones on these input paths should be set equal to the `DBVDD3` voltage.

The voltage reference for the PDM output interface is `DBVDD2`. If `SPKCLK` is selected as the DMIC clock, it is advised to take care to ensure compatibility of the respective power domains.

The CS47L90 input paths can be configured for power-saving operation, ideal for always-on applications. A number of different options are supported, allowing the power consumption to be optimized with respect to the required audio performance characteristics. For analog input, a low-power option is available on the `IN2` signal paths. For digital input, low-power options are supported on all input paths.

- If the input signal path is configured for analog input, low-power operation can be selected using the control sequences described in [Section 4.2.6.1](#). Note that, for analog inputs, Low-Power Mode is only available on the `IN2` signal paths.
- If the input signal path is configured for digital input, the respective `DMICCLKn` frequency can be configured using the `INn_OSR` bits. Reducing the `DMICCLKn` frequency reduces power consumption at the expense of audio performance. The `INn_OSR` field also supports high performance DMIC mode, when 6.144 MHz `DMICCLK` is selected.

If 384- or 768-kHz `DMICCLKn` frequency is selected, the maximum sample rate for the respective paths is restricted as described in [Table 4-1](#). If the input sample rates are set globally using `IN_RATE` (i.e., `IN_RATE_MODE` = 0), all input paths are affected similarly.

Note that, if a digital microphone path is selected as a source for the Rx ANC function (see [Section 4.2.9](#)), the respective `DMICCLKn` frequency is 3.072 MHz, regardless of the `INn_OSR` setting.

The `MICVDD` voltage is generated by an internal charge pump and LDO regulator. The `MICBIASn` outputs are derived from `MICVDD`; see [Section 4.20](#).

The input signal paths are configured using the fields described in [Table 4-3](#).

Table 4-3. Input Signal Path Configuration

Register Address	Bit	Label	Default	Description
R776 (0x0308) Input_Rate	10	IN_RATE_MODE	1	Input Path Sample Rate Configuration 0 = Global control (all input paths configured using <code>IN_RATE</code>) 1 = Individual channel control (using the respective <code>INnx_RATE</code> fields)
R780 (0x030C) HPF_Control	2:0	IN_HPF_CUT[2:0]	010	Input Path HPF Select. Controls the cut-off frequency of the input path HPF circuits. 000 = 2.5 Hz 010 = 10 Hz 100 = 40 Hz 001 = 5 Hz 011 = 20 Hz All other codes are reserved

Table 4-3. Input Signal Path Configuration (Cont.)

Register Address	Bit	Label	Default	Description
R784 (0x0310) IN1L_Control	15	IN1L_HPF	0	Input Path 1 (Left) HPF Enable 0 = Disabled 1 = Enabled
	12:11	IN1_DMIC_SUP[1:0]	00	Input Path 1 DMIC Reference Select (sets the DMICDAT1 and DMICCLK1 logic levels) 00 = MICVDD 10 = MICBIAS2 01 = MICBIAS1 11 = Reserved
	10	IN1_MODE	0	Input Path 1 Mode 0 = Analog input 1 = Digital input
	7:1	IN1L_PGA_VOL[6:0]	0x40	Input Path 1 (Left) PGA Volume (applicable to analog inputs only) 0x00 to 0x3F = Reserved 0x42 = 2 dB 0x60 to 0x7F = Reserved 0x40 = 0 dB ... (1-dB steps) 0x41 = 1 dB 0x5F = 31 dB In Low Power Mode, the PGA gain is constrained to 0, 6, 12, 15, 18, 21, or 24 dB only. The selected PGA gain is rounded down to the nearest available level.
R785 (0x0311) ADC_Digital_Volume_1L	14:13	IN1L_SRC[1:0]	00	Input Path 1 (Left) Source 00 = Differential (IN1ALP–IN1ALN) 10 = Differential (IN1BP–IN1BN) 01 = Single-ended (IN1ALP) 11 = Single-ended (IN1BP)
R786 (0x0312) DMIC1L_Control	10:8	IN1_OSR[2:0]	101	Input Path 1 Oversample Rate Control If analog input is selected, this field must be set to 101 (default). If digital input is selected, this field controls the DMICCLK frequency. If Input Path 1 DMIC is selected as a source for the Rx ANC function, the DMICCLK1 frequency is 3.072 MHz, regardless of this field setting. 010 = 384 kHz 101 = 3.072 MHz 011 = 768 kHz 110 = 6.144 MHz 100 = 1.536 MHz All other codes are reserved
R788 (0x0314) IN1R_Control	15	IN1R_HPF	0	Input Path 1 (Right) HPF Enable 0 = Disabled 1 = Enabled
	12:11	IN1_DMICCLK_SRC[1:0]	00	Input Path 1 DMIC Clock Source 00 = DMICCLK1 10 = Reserved 01 = SPKCLK 11 = Reserved
	7:1	IN1R_PGA_VOL[6:0]	0x40	Input Path 1 (Right) PGA Volume (applicable to analog inputs only) 0x00 to 0x3F = Reserved 0x42 = 2 dB 0x60 to 0x7F = Reserved 0x40 = 0 dB ... (1-dB steps) 0x41 = 1 dB 0x5F = 31 dB In Low Power Mode, the PGA gain is constrained to 0, 6, 12, 15, 18, 21, or 24 dB only. The selected PGA gain is rounded down to the nearest available level.
R789 (0x0315) ADC_Digital_Volume_1R	14:13	IN1R_SRC[1:0]	00	Input Path 1 (Right) Source 00 = Differential (IN1ARP–IN1ARN) 10 = Differential (IN1BRP–IN1BRN) 01 = Single-ended (IN1ARP) 11 = Single-ended (IN1BRP)
R792 (0x0318) IN2L_Control	15	IN2L_HPF	0	Input Path 2 (Left) HPF Enable 0 = Disabled 1 = Enabled
	12:11	IN2_DMIC_SUP[1:0]	00	Input Path 2 DMIC Reference Select (sets the DMICDAT2 and DMICCLK2 logic levels) 00 = MICVDD 10 = MICBIAS2 01 = MICBIAS1 11 = Reserved
	10	IN2_MODE	0	Input Path 2 Mode 0 = Analog input 1 = Digital input
	7:1	IN2L_PGA_VOL[6:0]	0x40	Input Path 2 (Left) PGA Volume (applicable to analog inputs only) 0x00 to 0x3F = Reserved 0x42 = 2 dB 0x60 to 0x7F = Reserved 0x40 = 0 dB ... (1-dB steps) 0x41 = 1 dB 0x5F = 31 dB In Low Power Mode, the PGA gain is constrained to 0, 6, 12, 15, 18, 21, or 24 dB only. The selected PGA gain is rounded down to the nearest available level.

Table 4-3. Input Signal Path Configuration (Cont.)

Register Address	Bit	Label	Default	Description
R793 (0x0319) ADC_Digital_Volume_2L	14:13	IN2L_SRC[1:0]	00	Input Path 2 (Left) Source 00 = Differential (IN2LP–IN2LN) 10 = Reserved 01 = Single-ended (IN2LP) 11 = Reserved
	11	IN2L_LP_MODE	0	Input Path 2 (Left) Low-Power Mode This field must be set to 0 for normal operation, or else set in accordance with the specified control sequences for IN2 Low-Power Mode (see Section 4.2.6.1).
R794 (0x031A) DMIC2L_Control	10:8	IN2_OSR[2:0]	101	Input Path 2 Oversample Rate Control If analog input is selected, this field must be set to 101 for normal operation, or else set in accordance with the specified control sequences for IN2 Low-Power Mode (see Section 4.2.6.1). If digital input is selected, this field controls the DMICCLK frequency. If Input Path 2 DMIC is selected as a source for the Rx ANC function, the DMICCLK2 frequency is 3.072 MHz, regardless of this field setting. 010 = 384 kHz 101 = 3.072 MHz 011 = 768 kHz 110 = 6.144 MHz 100 = 1.536 MHz All other codes are reserved
R796 (0x031C) IN2R_Control	15	IN2R_HPF	0	Input Path 2 (Right) HPF Enable 0 = Disabled 1 = Enabled
	12:11	IN2_DMICCLK_SRC[1:0]	00	Input Path 2 DMIC Clock Source 00 = DMICCLK2 10 = Reserved 01 = SPKCLK 11 = Reserved
	7:1	IN2R_PGA_VOL[6:0]	0x40	Input Path 2 (Right) PGA Volume (applicable to analog inputs only) 0x00 to 0x3F = Reserved 0x42 = 2 dB 0x60 to 0x7F = Reserved 0x40 = 0 dB ... (1-dB steps) 0x41 = 1 dB 0x5F = 31 dB In Low Power Mode, the PGA gain is constrained to 0, 6, 12, 15, 18, 21, or 24 dB only. The selected PGA gain is rounded down to the nearest available level.
R797 (0x0319) ADC_Digital_Volume_2R	14:13	IN2R_SRC[1:0]	00	Input Path 2 (Right) Source 00 = Differential (IN2RP–IN2RN) 10 = Reserved 01 = Single-ended (IN2ARP) 11 = Reserved
	11	IN2R_LP_MODE	0	Input Path 2 (Right) Low-Power Mode This field must be set to 0 for normal operation, or else set in accordance with the specified control sequences for IN2 Low-Power Mode (see Section 4.2.6.1).
R800 (0x0320) IN3L_Control	15	IN3L_HPF	0	Input Path 3 (Left) HPF Enable 0 = Disabled 1 = Enabled
R802 (0x0320) DMIC3L_Control	10:8	IN3_OSR[2:0]	101	Input Path 3 Oversample Rate Control - selects the DMICCLK frequency. Note: If Input Path 3 DMIC is selected as a source for the Rx ANC function, the DMICCLK3 frequency is 3.072 MHz, regardless of this field setting. 010 = 384 kHz 101 = 3.072 MHz 011 = 768 kHz 110 = 6.144 MHz 100 = 1.536 MHz All other codes are reserved
R804 (0x0324) IN3R_Control	15	IN3R_HPF	0	Input Path 3 (Right) HPF Enable 0 = Disabled 1 = Enabled
	12:11	IN3_DMICCLK_SRC[1:0]	00	Input Path 3 DMIC Clock Source 00 = DMICCLK3 10 = Reserved 01 = SPKCLK 11 = Reserved
R808 (0x0328) IN4L_Control	15	IN4L_HPF	0	Input Path 4 (Left) HPF Enable 0 = Disabled 1 = Enabled
R810 (0x032A) DMIC4L_Control	10:8	IN4_OSR[2:0]	101	Input Path 4 Oversample Rate Control - selects the DMICCLK frequency. Note: If Input Path 4 DMIC is selected as a source for the Rx ANC function, the DMICCLK4 frequency is 3.072 MHz, regardless of this field setting. 010 = 384 kHz 101 = 3.072 MHz 011 = 768 kHz 110 = 6.144 MHz 100 = 1.536 MHz All other codes are reserved

Table 4-3. Input Signal Path Configuration (Cont.)

Register Address	Bit	Label	Default	Description
R812 (0x032C) IN4R_Control	15	IN4R_HPF	0	Input Path 4 (Right) HPF Enable 0 = Disabled 1 = Enabled
	12:11	IN4_DMICCLK_SRC[1:0]	00	Input Path 4 DMIC Clock Source 00 = DMICCLK4 10 = Reserved 01 = SPKCLK 11 = Reserved
R816 (0x0330) IN5L_Control	15	IN5L_HPF	0	Input Path 5 (Left) HPF Enable 0 = Disabled 1 = Enabled
R818 (0x0332) DMIC5L_Control	10:8	IN5_OSR[2:0]	101	Input Path 5 Oversample Rate Control - selects the DMICCLK frequency. Note: If Input Path 5 DMIC is selected as a source for the Rx ANC function, the DMICCLK5 frequency is 3.072 MHz, regardless of this field setting. 010 = 384 kHz 101 = 3.072 MHz 011 = 768 kHz 110 = 6.144 MHz 100 = 1.536 MHz All other codes are reserved
R820 (0x0334) IN5R_Control	15	IN5R_HPF	0	Input Path 5 (Right) HPF Enable 0 = Disabled 1 = Enabled
	12:11	IN5_DMICCLK_SRC[1:0]	00	Input Path 5 DMIC Clock Source 00 = DMICCLK5 10 = Reserved 01 = SPKCLK 11 = Reserved

4.2.6.1 IN2 Low-Power Mode Configuration

The IN2 input path supports low-power operation for analog input configurations. Note that, although the IN2L and IN2R signal paths can be enabled/disabled independently, the selection of Low-Power Mode is common to both channels.

The required control sequences for Low-Power Mode are described in the following paragraphs.

- Low-Power Mode enable sequence is described in [Table 4-4](#). This sequence is applicable when enabling the IN2 path for low-power operation.

The same control sequence applies if selecting Low-Power Mode for input channels that are already enabled. Writing to IN2L_ENA or IN2R_ENA bits is optional in this case, as these bits are already set.

The Low-Power Mode enable sequence must be repeated in full each time the channel is enabled in Low-Power Mode—the previous configuration is not valid after the channel has been disabled.

Note that 32-bit register addressing is used from R12888 (0x3000) upwards; 16-bit format is used otherwise. The registers noted in [Table 4-4](#) contain a mixture of 16- and 32-bit register addresses.

Table 4-4. IN2 Low-Power Mode Enable Sequence

Description	Channels
<ul style="list-style-type: none"> • Read the contents of bits [13:8] in register 0x33F6; Write this value to bits [13:8] in register 0x03A2 • Set the IN2L_LP_MODE bit in register 0x0319 • Set the IN2L_ENA bit in register 0x0300 • Wait for 1 ms • Set bit [3] in register 0x03AC 	Left
<ul style="list-style-type: none"> • Read the contents of bits [29:24] in register 0x33F6; Write this value to bits [13:8] in register 0x03A2 • Set the IN2R_LP_MODE bit in register 0x031D • Set the IN2R_ENA bit in register 0x0300 • Wait for 1 ms • Set bit [3] in register 0x03AD 	Right
<ul style="list-style-type: none"> • Read the value of bits [5:0] in register 0x33F6; Write the contents to bits [5:0] in register 0x0395 • Set bit [6] in register 0x0395 	Left

Table 4-4. IN2 Low-Power Mode Enable Sequence (Cont.)

Description	Channels
<ul style="list-style-type: none"> Read the contents of bits [21:16] in register 0x33F6; Write this value to bits [5:0] in register 0x0396 Set bit [6] in register 0x0396 	Right
<ul style="list-style-type: none"> Clear the IN2L_LP_MODE bit in register 0x0319 	Left
<ul style="list-style-type: none"> Clear the IN2R_LP_MODE bit in register 0x031D 	Right
<ul style="list-style-type: none"> Write 100 to the IN2_OSR field in register 0x031A Write 001 to bits [13:11] in register 0x03A8 Write 11 to bits [1:0] in register 0x03C4 	Both channels

Note: If configuring a single channel only (i.e., left or right), the control requirements for the other channel should be omitted.

- Low-Power Mode disable sequence is described in [Table 4-5](#). This sequence is applicable when deselecting Low-Power Mode for input channels that are already enabled.

The Low-Power Mode disable sequence must also be executed when enabling the IN2 path for normal operation, if the path was previously configured for Low-Power Mode. In this case, the enable sequence should be completed by setting the applicable IN2L_ENA or IN2R_ENA bits.

Table 4-5. IN2 Low-Power Mode Disable Sequence

Description	Channels
<ul style="list-style-type: none"> Clear bit [6] in register 0x0395 Clear bit [3] in register 0x03AC 	Left
<ul style="list-style-type: none"> Clear bit [6] in register 0x0396 Clear bit [3] in register 0x03AD 	Right
<ul style="list-style-type: none"> Write 101 to the IN2_OSR field in register 0x031A Write 100 to bits [13:11] in register 0x03A8 Write 00 to bits [1:0] in register 0x03C4 	Both channels

Note: If configuring a single channel only (i.e., left or right), the control requirements for the other channel should be omitted.

4.2.7 Input Signal Path Digital Volume Control

A digital volume control is provided on each input signal path, providing –64 dB to +31.5 dB gain control in 0.5-dB steps. An independent mute control is also provided for each input signal path.

Whenever the gain or mute setting is changed, the signal path gain is ramped up or down to the new settings at a programmable rate. For increasing gain (or unmute), the rate is controlled by IN_VI_RAMP. For decreasing gain (or mute), the rate is controlled by IN_VD_RAMP.

Note: The IN_VI_RAMP and IN_VD_RAMP fields should not be changed while a volume ramp is in progress.

The IN_VU bits control the loading of the input signal path digital volume and mute controls. When IN_VU is cleared, the digital volume and mute settings are loaded into the respective control register, but do not change the signal path gain. The digital volume and mute settings on all of the input signal paths are updated when a 1 is written to IN_VU. This makes it possible to update the gain of multiple signal paths simultaneously.

Note that, although the digital-volume controls provide 0.5-dB steps, the internal circuits provide signal gain adjustment in 0.125-dB steps. This allows a very high degree of gain control and smooth volume ramping under all operating conditions.

The digital volume control registers are described in [Table 4-6](#) and [Table 4-7](#).

Table 4-6. Input Signal Path Digital Volume Control

Register Address	Bit	Label	Default	Description
R777 (0x0309) Input_Volume_Ramp	6:4	IN_VD_RAMP[2:0]	010	Input Volume Decreasing Ramp Rate (seconds/6 dB). This field should not be changed while a volume ramp is in progress. 000 = 0 ms 011 = 2 ms 110 = 15 ms 001 = 0.5 ms 100 = 4 ms 111 = 30 ms 010 = 1 ms 101 = 8 ms
	2:0	IN_VI_RAMP[2:0]	010	Input Volume Increasing Ramp Rate (seconds/6 dB). This field should not be changed while a volume ramp is in progress. 000 = 0 ms 011 = 2 ms 110 = 15 ms 001 = 0.5 ms 100 = 4 ms 111 = 30 ms 010 = 1 ms 101 = 8 ms
R785 (0x0311) ADC_Digital_Volume_1L	9	IN_VU	See Footnote 1	Input Signal Paths Volume and Mute Update. Writing 1 to this bit causes the Input Signal Paths Volume and Mute settings to be updated simultaneously
	8	IN1L_MUTE	1	Input Path 1 (Left) Digital Mute 0 = Unmute 1 = Mute
	7:0	IN1L_VOL[7:0]	0x80	Input Path 1 (Left) Digital Volume (see Table 4-7 for volume register definition). –64 dB to +31.5 dB in 0.5-dB steps 0x00 = –64 dB 0x80 = 0 dB 0xC0 to 0xFF = Reserved 0x01 = –63.5 dB ... (0.5-dB steps) ... (0.5-dB steps) 0xBF = +31.5 dB
R789 (0x0315) ADC_Digital_Volume_1R	9	IN_VU	See Footnote 1	Input Signal Paths Volume and Mute Update Writing 1 to this bit causes the Input Signal Paths Volume and Mute settings to be updated simultaneously
	8	IN1R_MUTE	1	Input Path 1 (Right) Digital Mute 0 = Unmute 1 = Mute
	7:0	IN1R_VOL[7:0]	0x80	Input Path 1 (Right) Digital Volume (see Table 4-7 for volume register definition). –64 dB to +31.5 dB in 0.5-dB steps 0x00 = –64 dB 0x80 = 0 dB 0xC0 to 0xFF = Reserved 0x01 = –63.5 dB ... (0.5-dB steps) ... (0.5-dB steps) 0xBF = +31.5 dB
R793 (0x0319) ADC_Digital_Volume_2L	9	IN_VU	See Footnote 1	Input Signal Paths Volume and Mute Update. Writing 1 to this bit causes the Input Signal Paths Volume and Mute settings to be updated simultaneously
	8	IN2L_MUTE	1	Input Path 2 (Left) Digital Mute 0 = Unmute 1 = Mute
	7:0	IN2L_VOL[7:0]	0x80	Input Path 2 (Left) Digital Volume (see Table 4-7 for volume register definition). –64 dB to +31.5 dB in 0.5-dB steps 0x00 = –64 dB 0x80 = 0 dB 0xC0 to 0xFF = Reserved 0x01 = –63.5 dB ... (0.5-dB steps) ... (0.5-dB steps) 0xBF = +31.5 dB
R797 (0x031D) ADC_Digital_Volume_2R	9	IN_VU	See Footnote 1	Input Signal Paths Volume and Mute Update. Writing 1 to this bit causes the Input Signal Paths Volume and Mute settings to be updated simultaneously
	8	IN2R_MUTE	1	Input Path 2 (Right) Digital Mute 0 = Unmute 1 = Mute
	7:0	IN2R_VOL[7:0]	0x80	Input Path 2 (Right) Digital Volume (see Table 4-7 for volume register definition). –64 dB to +31.5 dB in 0.5-dB steps 0x00 = –64 dB 0x80 = 0 dB 0xC0 to 0xFF = Reserved 0x01 = –63.5 dB ... (0.5-dB steps) ... (0.5-dB steps) 0xBF = +31.5 dB

Table 4-6. Input Signal Path Digital Volume Control (Cont.)

Register Address	Bit	Label	Default	Description
R801 (0x0321) ADC_Digital_Volume_3L	9	IN_VU	See Footnote 1	Input Signal Paths Volume and Mute Update. Writing 1 to this bit causes the Input Signal Paths Volume and Mute settings to be updated simultaneously
	8	IN3L_MUTE	1	Input Path 3 (Left) Digital Mute 0 = Unmute 1 = Mute
	7:0	IN3L_VOL[7:0]	0x80	Input Path 3 (Left) Digital Volume (see Table 4-7 for volume register definition). –64 dB to +31.5 dB in 0.5-dB steps 0x00 = –64 dB 0x80 = 0 dB 0xC0 to 0xFF = Reserved 0x01 = –63.5 dB ... (0.5-dB steps) ... (0.5-dB steps) 0xBF = +31.5 dB
R805 (0x0325) ADC_Digital_Volume_3R	9	IN_VU	See Footnote 1	Input Signal Paths Volume and Mute Update. Writing 1 to this bit causes the Input Signal Paths Volume and Mute settings to be updated simultaneously
	8	IN3R_MUTE	1	Input Path 3 (Right) Digital Mute 0 = Unmute 1 = Mute
	7:0	IN3R_VOL[7:0]	0x80	Input Path 3 (Right) Volume (see Table 4-7 for volume register definition). –64 dB to +31.5 dB in 0.5-dB steps 0x00 = –64 dB 0x80 = 0 dB 0xC0 to 0xFF = Reserved 0x01 = –63.5 dB ... (0.5-dB steps) ... (0.5-dB steps) 0xBF = +31.5 dB
R809 (0x0329) ADC_Digital_Volume_4L	9	IN_VU	See Footnote 1	Input Signal Paths Volume and Mute Update. Writing 1 to this bit causes the Input Signal Paths Volume and Mute settings to be updated simultaneously
	8	IN4L_MUTE	1	Input Path 4 (Left) Digital Mute 0 = Unmute 1 = Mute
	7:0	IN4L_VOL[7:0]	0x80	Input Path 4 (Left) Digital Volume (see Table 4-7 for volume register definition). –64 dB to +31.5 dB in 0.5-dB steps 0x00 = –64 dB 0x80 = 0 dB 0xC0 to 0xFF = Reserved 0x01 = –63.5 dB ... (0.5-dB steps) ... (0.5-dB steps) 0xBF = +31.5 dB
R813 (0x032D) ADC_Digital_Volume_4R	9	IN_VU	See Footnote 1	Input Signal Paths Volume and Mute Update. Writing 1 to this bit causes the Input Signal Paths Volume and Mute settings to be updated simultaneously
	8	IN4R_MUTE	1	Input Path 4 (Right) Digital Mute 0 = Unmute 1 = Mute
	7:0	IN4R_VOL[7:0]	0x80	Input Path 4 (Right) Digital Volume (see Table 4-7 for volume register definition). –64 dB to +31.5 dB in 0.5-dB steps 0x00 = –64 dB 0x80 = 0 dB 0xC0 to 0xFF = Reserved 0x01 = –63.5 dB ... (0.5-dB steps) ... (0.5-dB steps) 0xBF = +31.5 dB
R817 (0x0331) ADC_Digital_Volume_5L	9	IN_VU	See Footnote 1	Input Signal Paths Volume and Mute Update. Writing 1 to this bit causes the Input Signal Paths Volume and Mute settings to be updated simultaneously
	8	IN5L_MUTE	1	Input Path 5 (Left) Digital Mute 0 = Unmute 1 = Mute
	7:0	IN5L_VOL[7:0]	0x80	Input Path 5 (Left) Digital Volume (see Table 4-7 for volume register definition). –64 dB to +31.5 dB in 0.5-dB steps 0x00 = –64 dB 0x80 = 0 dB 0xC0 to 0xFF = Reserved 0x01 = –63.5 dB ... (0.5-dB steps) ... (0.5-dB steps) 0xBF = +31.5 dB

Table 4-6. Input Signal Path Digital Volume Control (Cont.)

Register Address	Bit	Label	Default	Description
R821 (0x0335) ADC_Digital_Volume5R	9	IN_VU	See Footnote 1	Input Signal Paths Volume and Mute Update. Writing 1 to this bit causes the Input Signal Paths Volume and Mute settings to be updated simultaneously
	8	IN5R_MUTE	1	Input Path 5 (Right) Digital Mute 0 = Unmute 1 = Mute
	7:0	IN5R_VOL[7:0]	0x80	Input Path 5 (Right) Digital Volume (see Table 4-7 for volume register definition). –64 dB to +31.5 dB in 0.5-dB steps 0x00 = –64 dB 0x80 = 0 dB 0xC0 to 0xFF = Reserved 0x01 = –63.5 dB ... (0.5-dB steps) ... (0.5-dB steps) 0xBF = +31.5 dB

1. Default is not applicable to these write-only bits

Table 4-7 lists the input signal path digital volume settings.

Table 4-7. Input Signal Path Digital Volume Range

Input Volume Register	Volume (dB)	Input Volume Register	Volume (dB)	Input Volume Register	Volume (dB)	Input Volume Register	Volume (dB)
0x00	–64.0	0x31	–39.5	0x62	–15.0	0x93	9.5
0x01	–63.5	0x32	–39.0	0x63	–14.5	0x94	10.0
0x02	–63.0	0x33	–38.5	0x64	–14.0	0x95	10.5
0x03	–62.5	0x34	–38.0	0x65	–13.5	0x96	11.0
0x04	–62.0	0x35	–37.5	0x66	–13.0	0x97	11.5
0x05	–61.5	0x36	–37.0	0x67	–12.5	0x98	12.0
0x06	–61.0	0x37	–36.5	0x68	–12.0	0x99	12.5
0x07	–60.5	0x38	–36.0	0x69	–11.5	0x9A	13.0
0x08	–60.0	0x39	–35.5	0x6A	–11.0	0x9B	13.5
0x09	–59.5	0x3A	–35.0	0x6B	–10.5	0x9C	14.0
0x0A	–59.0	0x3B	–34.5	0x6C	–10.0	0x9D	14.5
0x0B	–58.5	0x3C	–34.0	0x6D	–9.5	0x9E	15.0
0x0C	–58.0	0x3D	–33.5	0x6E	–9.0	0x9F	15.5
0x0D	–57.5	0x3E	–33.0	0x6F	–8.5	0xA0	16.0
0x0E	–57.0	0x3F	–32.5	0x70	–8.0	0xA1	16.5
0x0F	–56.5	0x40	–32.0	0x71	–7.5	0xA2	17.0
0x10	–56.0	0x41	–31.5	0x72	–7.0	0xA3	17.5
0x11	–55.5	0x42	–31.0	0x73	–6.5	0xA4	18.0
0x12	–55.0	0x43	–30.5	0x74	–6.0	0xA5	18.5
0x13	–54.5	0x44	–30.0	0x75	–5.5	0xA6	19.0
0x14	–54.0	0x45	–29.5	0x76	–5.0	0xA7	19.5
0x15	–53.5	0x46	–29.0	0x77	–4.5	0xA8	20.0
0x16	–53.0	0x47	–28.5	0x78	–4.0	0xA9	20.5
0x17	–52.5	0x48	–28.0	0x79	–3.5	0xAA	21.0
0x18	–52.0	0x49	–27.5	0x7A	–3.0	0xAB	21.5
0x19	–51.5	0x4A	–27.0	0x7B	–2.5	0xAC	22.0
0x1A	–51.0	0x4B	–26.5	0x7C	–2.0	0xAD	22.5
0x1B	–50.5	0x4C	–26.0	0x7D	–1.5	0xAE	23.0
0x1C	–50.0	0x4D	–25.5	0x7E	–1.0	0xAF	23.5
0x1D	–49.5	0x4E	–25.0	0x7F	–0.5	0xB0	24.0
0x1E	–49.0	0x4F	–24.5	0x80	0.0	0xB1	24.5
0x1F	–48.5	0x50	–24.0	0x81	0.5	0xB2	25.0
0x20	–48.0	0x51	–23.5	0x82	1.0	0xB3	25.5
0x21	–47.5	0x52	–23.0	0x83	1.5	0xB4	26.0
0x22	–47.0	0x53	–22.5	0x84	2.0	0xB5	26.5
0x23	–46.5	0x54	–22.0	0x85	2.5	0xB6	27.0
0x24	–46.0	0x55	–21.5	0x86	3.0	0xB7	27.5

Table 4-7. Input Signal Path Digital Volume Range (Cont.)

Input Volume Register	Volume (dB)	Input Volume Register	Volume (dB)	Input Volume Register	Volume (dB)	Input Volume Register	Volume (dB)
0x25	-45.5	0x56	-21.0	0x87	3.5	0xB8	28.0
0x26	-45.0	0x57	-20.5	0x88	4.0	0xB9	28.5
0x27	-44.5	0x58	-20.0	0x89	4.5	0xBA	29.0
0x28	-44.0	0x59	-19.5	0x8A	5.0	0xBB	29.5
0x29	-43.5	0x5A	-19.0	0x8B	5.5	0xBC	30.0
0x2A	-43.0	0x5B	-18.5	0x8C	6.0	0xBD	30.5
0x2B	-42.5	0x5C	-18.0	0x8D	6.5	0xBE	31.0
0x2C	-42.0	0x5D	-17.5	0x8E	7.0	0xBF	31.5
0x2D	-41.5	0x5E	-17.0	0x8F	7.5	0xC0-0xFF	Reserved
0x2E	-41.0	0x5F	-16.5	0x90	8.0		
0x2F	-40.5	0x60	-16.0	0x91	8.5		
0x30	-40.0	0x61	-15.5	0x92	9.0		

4.2.8 Input Signal Path Signal-Detect Control

The CS47L90 provides a digital signal-detect function for the input signal path. This enables system actions to be triggered by signal detection and allows the device to remain in a low-power state until a valid audio signal is detected. A mute function is integrated with the signal-detect circuit, ensuring the respective digital audio path remains at zero until the detection threshold level is reached. Signal detection is also indicated via the interrupt controller.

The signal-detect function is supported on input paths IN1–IN5 in analog and digital configurations. (For input paths IN1 and IN2, digital input is selected by setting the respective IN_n_MODE bit.) Note that the valid operating conditions for this function vary, depending on the applicable signal-path configuration.

- The signal-detect function is supported on analog input paths for sample rates up to 16 kHz.
- The signal-detect function is supported on digital input paths for sample rates up to 16 kHz (if $DMICCLK_n \geq 768\text{kHz}$) and up to 48 kHz (if $DMICCLK_n \geq 2.8224\text{ MHz}$).

For each input path, the signal-detect function is enabled by setting the respective $IN_{nx_SIG_DET_ENA}$ bit. The detection threshold level is set using $IN_SIG_DET_THR$ —this applies to all input paths.

If the signal-detect function is enabled, the respective input channel is muted if the signal level is below the configured threshold. If the input signal exceeds the threshold level, the respective channel is immediately unmuted.

If the input signal falls below the threshold level, the mute is applied. To prevent erroneous behavior, a time delay is applied before muting the input signal—the channel is only muted if the signal level remains below the threshold level for longer than the hold time. The hold time is set using $IN_SIG_DET_HOLD$.

Note that the signal-level detection is performed in the digital domain, after the ADC, PGA, digital mute and digital volume controls—the respective input channel must be enabled and unmuted when using the signal-detect function.

The signal-detect function is an input to the interrupt control circuit and can be used to trigger an interrupt event; see [Section 4.16](#). Note that the respective interrupt event represents the logic OR of the signal detection on all input channels and does not provide indication of which input channel caused the interrupt. To avoid multiple interrupts, the signal-detect interrupt can be reasserted only after all input channels have fallen below the trigger threshold level.

The input path signal-detection control registers are described in [Table 4-8](#).

Table 4-8. Input Signal Path Signal-Detect Control

Register Address	Bit	Label	Default	Description
R786 (0x0312) DMIC1L_Control	15	IN1L_SIG_DET_ENA	0	Input Path 1 (Left) Signal-Detect Enable 0 = Disabled 1 = Enabled
R790 (0x0316) DMIC1R_Control	15	IN1R_SIG_DET_ENA	0	Input Path 1 (Right) Signal-Detect Enable 0 = Disabled 1 = Enabled
R794 (0x031A) DMIC2L_Control	15	IN2L_SIG_DET_ENA	0	Input Path 2 (Left) Signal-Detect Enable 0 = Disabled 1 = Enabled
R798 (0x031E) DMIC2R_Control	15	IN2R_SIG_DET_ENA	0	Input Path 2 (Right) Signal-Detect Enable 0 = Disabled 1 = Enabled
R802 (0x0320) DMIC3L_Control	15	IN3L_SIG_DET_ENA	0	Input Path 3 (Left) Signal-Detect Enable 0 = Disabled 1 = Enabled
R806 (0x0326) DMIC3R_Control	15	IN3R_SIG_DET_ENA	0	Input Path 3 (Right) Signal-Detect Enable 0 = Disabled 1 = Enabled
R810 (0x032A) DMIC4L_Control	15	IN4L_SIG_DET_ENA	0	Input Path 4 (Left) Signal-Detect Enable 0 = Disabled 1 = Enabled
R814 (0x032E) DMIC4R_Control	15	IN4R_SIG_DET_ENA	0	Input Path 4 (Right) Signal-Detect Enable 0 = Disabled 1 = Enabled
R818 (0x0332) DMIC5L_Control	15	IN5L_SIG_DET_ENA	0	Input Path 5 (Left) Signal-Detect Enable 0 = Disabled 1 = Enabled
R822 (0x0336) DMIC5R_Control	15	IN5R_SIG_DET_ENA	0	Input Path 5 (Right) Signal-Detect Enable 0 = Disabled 1 = Enabled
R832 (0x0340) Signal_Detect_Globals	8:4	IN_SIG_DET_THR[4:0]	0x00	Input Signal Path Signal-Detect Threshold 0x00 = -30.1 dB 0x05 = -54.2 dB 0x0A = -72.2 dB 0x01 = -36.1 dB 0x06 = -56.7 dB 0x0B = -74.7 dB 0x02 = -42.1 dB 0x07 = -60.2 dB 0x0C = -78.3 dB 0x03 = -48.2 dB 0x08 = -66.2 dB 0x0D = -80.8 dB 0x04 = -50.7 dB 0x09 = -68.7 dB All other codes are reserved
	3:0	IN_SIG_DET_HOLD[3:0]	0001	Input Signal Path Signal-Detect Hold Time (delay before signal detect indication is deasserted) 0000 = Reserved ... (4-ms steps) 1100 = 96–100 ms 0001 = 4–8 ms 1001 = 36–40 ms 1101 = 192–196 ms 0010 = 8–12 ms 1010 = 40–44 ms 1110 = 384–388 ms 0011 = 12–16 ms 1011 = 48–52 ms 1111 = 768–772 ms

4.2.9 Input Signal Path ANC Control

The CS47L90 incorporates a stereo ANC processor that can provide noise reduction in a variety of different operating conditions. The left and right ANC input sources for the receive path ANC function are selected using IN_RXANCL_SEL and IN_RXANCR_SEL, as described in [Table 4-9](#).

See [Section 4.6](#) for further details of the ANC function.

Table 4-9. Input Signal Paths ANC Control

Register Address	Bit	Label	Default	Description
R3841 (0x0F01) ANC_SRC	6:4	IN_RXANCR_SEL[2:0]	000	Right Input source for Rx ANC function 000 = No selection 001 = Input Path 1 010 = Input Path 2 011 = Input Path 3 100 = Input Path 4 101 = Input Path 5 All other codes are reserved
	2:0	IN_RXANCL_SEL[2:0]	000	Left Input source for Rx ANC function 000 = No selection 001 = Input Path 1 010 = Input Path 2 011 = Input Path 3 100 = Input Path 4 101 = Input Path 5 All other codes are reserved

4.2.10 DMIC Pin Configuration

DMIC operation on input paths IN1 and IN2 is selected using *IN_n_MODE*, as described in [Table 4-3](#). If DMIC is selected, the respective *DMICCLK_n* and *DMICDAT_n* pins are configured as digital outputs and inputs, respectively.

DMIC operation on input paths IN3, IN4, and IN5 is implemented on multifunction GPIO pins, which must be configured for the respective DMIC functions when required. The DMIC connections are pin-specific alternative functions on specific GPIO pins. See [Section 4.15](#) to configure the GPIO pins for DMIC operation.

The CS47L90 provides integrated pull-down resistors on each *DMICDAT_n* pin. This provides a flexible capability for interfacing with other devices.

The *DMICDAT1* and *DMICDAT2* pull-down resistors can be configured independently using the bits described in [Table 4-10](#). Note that, if the *DMICDAT_n* DMIC input paths are disabled, the pull-down is disabled on the respective pin.

Table 4-10. DMIC Interface Pull-Down Control

Register Address	Bit	Label	Default	Description
R840 (0x0348) Dig_Mic_Pad_Ctrl	1	DMICDAT2_PD	0	DMICDAT2 Pull-Down Control 0 = Disabled 1 = Enabled
	0	DMICDAT1_PD	0	DMICDAT1 Pull-Down Control 0 = Disabled 1 = Enabled

The *DMICDAT3*, *DMICDAT4*, and *DMICDAT5* pull-up and pull-down resistors are provided as part of the GPIO functionality; these can be configured independently using the fields described in [Table 4-99](#). If the pull-up and pull-down resistors are both enabled, the CS47L90 provides a bus keeper function on the respective pin. The bus-keeper function holds the logic level unchanged whenever the pin is undriven (e.g., if the signal is tristated).

4.3 Digital Core

The CS47L90 digital core provides extensive mixing and processing capabilities for multiple signal paths. The configuration is highly flexible and supports virtually every conceivable input/output connection between the available processing blocks.

The digital core provides parametric equalization (EQ) functions, DRC, low-/high-pass filters (LHPF), and programmable DSP capability. The DSP can support functions such as wind-noise, side-tone, or other programmable filters, also dynamic range control and compression, or virtual surround sound and other audio enhancements.

The CS47L90 supports multiple signal paths through the digital core. Stereo full-duplex sample-rate conversion is provided to allow digital audio to be routed between input (ADC) paths, output (DAC) paths, digital audio interfaces (AIF1–AIF4) and SLIMbus paths operating at different sample rates or referenced to asynchronous clock domains. Data-format conversion (DFC) functions are available to support different interface standards on the input and output signal paths.

The DSP functions are highly programmable, using application-specific control sequences. Note that the DSP configuration data is lost whenever the DCVDD power domain is removed; the DSP configuration data must be downloaded to the CS47L90 each time the device is powered up.

The procedure for configuring the CS47L90 DSP functions is tailored to each customer's application; please contact your Cirrus Logic representative for more details.

The digital core incorporates a S/PDIF transmitter that can provide a stereo S/PDIF output on a GPIO pin. Standard sample rates of 32–192 kHz can be supported. The CS47L90 incorporates a tone generator that can be used for beep functions through any of the audio signal paths. A white-noise generator is incorporated, to provide comfort noise in cases where silence (digital mute) is not desirable.

A haptic signal generator is provided, for use with external haptic devices (e.g., mechanical vibration actuators). Two pulse-width modulation (PWM) signal generators are also provided; the PWM waveforms can be modulated by an audio source within the digital core and can be output on a GPIO pin.

The CS47L90 also incorporates the Cirrus Logic ANC functionality, described in [Section 4.6](#).

An overview of the digital-core mixing and signal-processing functions is provided in [Fig. 4-11](#). The control registers associated with the digital-core signal paths are shown in [Fig. 4-12](#) through [Fig. 4-29](#). The full list of digital mixer control registers (R1600–R3576) is provided in [Section 6](#). Generic register field definitions are provided in [Table 4-11](#).

The digital audio core is predominantly a 24-bit architecture, but also provides limited support for 32-bit signal paths. Audio data samples of up to 32 bits can be received via the AIF1, AIF3, and SLIMbus input channels and routed to the AIF1, AIF3, SLIMbus, and S/PDIF output paths. The respective output mixers provide full support for 32-bit data words.

Note that all other signal paths and signal-processing blocks within the digital core are limited to 24-bit data length; data samples are truncated to 24-bit length if they are routed through any function that does not support 32-bit data words.

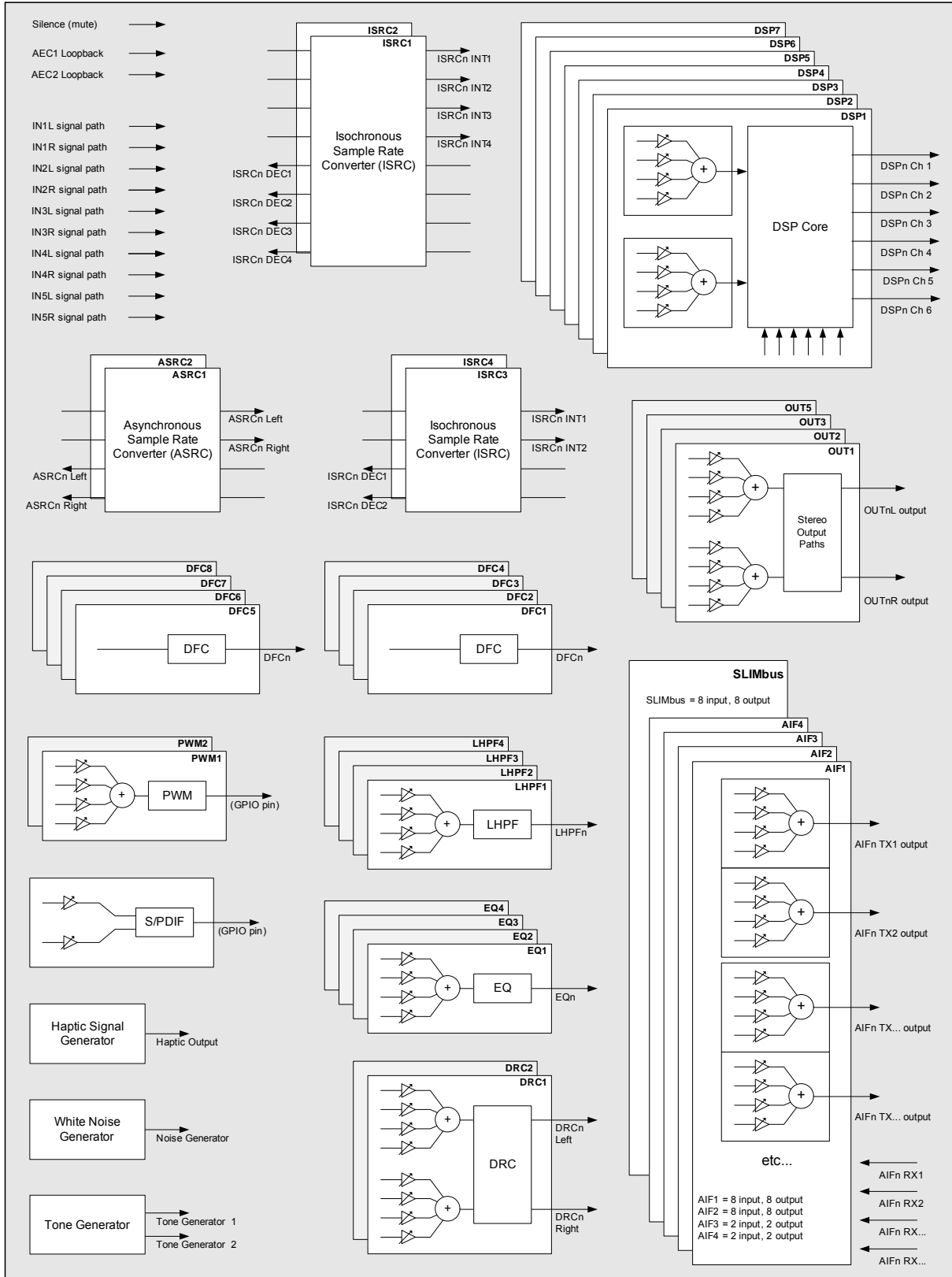


Figure 4-11. Digital Core

4.3.1 Digital-Core Mixers

The CS47L90 provides an extensive digital mixing capability. The digital-core mixing and signal-processing blocks are shown in [Fig. 4-11](#). A four-input digital mixer is associated with many of these functions, as shown. The digital mixer circuit is identical in each instance, providing up to four selectable input sources, with independent volume control on each input.

The control registers associated with the digital-core signal paths are shown in [Fig. 4-12–Fig. 4-29](#). The full list of digital mixer control registers (R1600–R3576) is provided in [Section 6](#).

Further description of the associated control registers is provided throughout [Section 4.3](#). Generic register field definitions are provided in [Table 4-11](#).

The digital mixer input sources are selected using the associated `x_SRCn` fields; the volume control is implemented via the associated `x_VOLn` fields.

The ASRC, ISRC, DFC, and DSP auxiliary input functions support selectable input sources, but do not incorporate any digital mixing. The respective input source (`x_SRCn`) fields are identical to those of the digital mixers.

The `x_SRCn` fields select the input sources for the respective mixer or signal-processing block. Note that the selected input sources must be configured for the same sample rate as the blocks to which they are connected. Sample-rate conversion functions are available to support flexible interconnectivity; see [Section 4.3.15](#) and [Section 4.3.16](#). The DFCs provide support for different data types, including floating point formats. Note that, if unsigned or floating point data is present within the digital core, some restrictions on the valid signal routing options apply—see [Section 4.3.13](#).

A status bit is associated with each configurable input source. If an underclocked error condition occurs, these bits indicate which signal paths have been enabled.

The generic register field definition for the digital mixers is provided in [Table 4-11](#).

Table 4-11. Digital-Core Mixer Control Registers

Register Address	Bit	Label	Default	Description
R1600 (0x0640) to R3576 (0x0DF8)	15	x_STS <i>n</i>	0	[Digital Core function] input <i>n</i> status 0 = Disabled 1 = Enabled
	7:1	x_VOL <i>n</i>	0x40	[Digital Core mixer] input <i>n</i> volume. (–32 dB to +16 dB in 1-dB steps) 0x00 to 0x20 = –32 dB ... (1-dB steps) 0x50 = +16 dB 0x21 = –31 dB 0x40 = 0 dB 0x51 to 0x7F = +16 dB 0x22 = –30 dB ... (1-dB steps)
	7:0	x_SRC <i>n</i>	0x00	[Digital Core function] input <i>n</i> source select 0x00 = Silence (mute) 0x52 = EQ3 0x97 = ASRC2 IN2 Right 0x04 = Tone generator 1 0x53 = EQ4 0xA0 = ISRC1 INT1 0x05 = Tone generator 2 0x58 = DRC1 Left 0xA1 = ISRC1 INT2 0x06 = Haptic generator 0x59 = DRC1 Right 0xA2 = ISRC1 INT3 0x08 = AEC Loop-Back 1 0x5A = DRC2 Left 0xA3 = ISRC1 INT4 0x09 = AEC Loop-Back 2 0x5B = DRC2 Right 0xA4 = ISRC1 DEC1 0x0D = Noise generator 0x60 = LHPF1 0xA5 = ISRC1 DEC2 0x10 = IN1L signal path 0x61 = LHPF2 0xA6 = ISRC1 DEC3 0x11 = IN1R signal path 0x62 = LHPF3 0xA7 = ISRC1 DEC4 0x12 = IN2L signal path 0x63 = LHPF4 0xA8 = ISRC2 INT1 0x13 = IN2R signal path 0x68 = DSP1 Channel 1 0xA9 = ISRC2 INT2 0x14 = IN3L signal path 0x69 = DSP1 Channel 2 0xAA = ISRC2 INT3 0x15 = IN3R signal path 0x6A = DSP1 Channel 3 0xAB = ISRC2 INT4 0x16 = IN4L signal path 0x6B = DSP1 Channel 4 0xAC = ISRC2 DEC1 0x17 = IN4R signal path 0x6C = DSP1 Channel 5 0xAD = ISRC2 DEC2 0x18 = IN5L signal path 0x6D = DSP1 Channel 6 0xAE = ISRC2 DEC3 0x19 = IN5R signal path 0x70 = DSP2 Channel 1 0xAF = ISRC2 DEC4 0x20 = AIF1 RX1 0x71 = DSP2 Channel 2 0xB0 = ISRC3 INT1 0x21 = AIF1 RX2 0x72 = DSP2 Channel 3 0xB1 = ISRC3 INT2 0x22 = AIF1 RX3 0x73 = DSP2 Channel 4 0xB4 = ISRC3 DEC1 0x23 = AIF1 RX4 0x74 = DSP2 Channel 5 0xB5 = ISRC3 DEC2 0x24 = AIF1 RX5 0x75 = DSP2 Channel 6 0xB8 = ISRC4 INT1 0x25 = AIF1 RX6 0x78 = DSP3 Channel 1 0xB9 = ISRC4 INT2 0x26 = AIF1 RX7 0x79 = DSP3 Channel 2 0xBC = ISRC4 DEC1 0x27 = AIF1 RX8 0x7A = DSP3 Channel 3 0xBD = ISRC4 DEC2 0x28 = AIF2 RX1 0x7B = DSP3 Channel 4 0xC0 = DSP6 Channel 1 0x29 = AIF2 RX2 0x7C = DSP3 Channel 5 0xC1 = DSP6 Channel 2 0x2A = AIF2 RX3 0x7D = DSP3 Channel 6 0xC2 = DSP6 Channel 3 0x2B = AIF2 RX4 0x80 = DSP4 Channel 1 0xC3 = DSP6 Channel 4 0x2C = AIF2 RX5 0x81 = DSP4 Channel 2 0xC4 = DSP6 Channel 5 0x2D = AIF2 RX6 0x82 = DSP4 Channel 3 0xC5 = DSP6 Channel 6 0x2E = AIF2 RX7 0x83 = DSP4 Channel 4 0xC8 = DSP7 Channel 1 0x2F = AIF2 RX8 0x84 = DSP4 Channel 5 0xC9 = DSP7 Channel 2 0x30 = AIF3 RX1 0x85 = DSP4 Channel 6 0xCA = DSP7 Channel 3 0x31 = AIF3 RX2 0x88 = DSP5 Channel 1 0xCB = DSP7 Channel 4 0x34 = AIF4 RX1 0x89 = DSP5 Channel 2 0xCC = DSP7 Channel 5 0x35 = AIF4 RX2 0x8A = DSP5 Channel 3 0xCD = DSP7 Channel 6 0x38 = SLIMbus RX1 0x8B = DSP5 Channel 4 0xF8 = DFC1 0x39 = SLIMbus RX2 0x8C = DSP5 Channel 5 0xF9 = DFC2 0x3A = SLIMbus RX3 0x8D = DSP5 Channel 6 0xFA = DFC3 0x3B = SLIMbus RX4 0x90 = ASRC1 IN1 Left 0xFB = DFC4 0x3C = SLIMbus RX5 0x91 = ASRC1 IN1 Right 0xFC = DFC5 0x3D = SLIMbus RX6 0x92 = ASRC1 IN2 Left 0xFD = DFC6 0x3E = SLIMbus RX7 0x93 = ASRC1 IN2 Right 0xFE = DFC7 0x3F = SLIMbus RX8 0x94 = ASRC2 IN1 Left 0xFF = DFC8 0x50 = EQ1 0x95 = ASRC2 IN1 Right 0x51 = EQ2 0x96 = ASRC2 IN2 Left

4.3.2 Digital-Core Inputs

The digital core comprises multiple input paths, as shown in Fig. 4-12. Any of these inputs may be selected as a source to the digital mixers or signal-processing functions within the CS47L90 digital core.

Note that the outputs from other blocks within the digital core may also be selected as input to the digital mixers or signal-processing functions within the CS47L90 digital core. Those input sources, which are not shown in Fig. 4-12, are described separately throughout Section 4.3.

The hexadecimal numbers in Fig. 4-12 indicate the corresponding x_SRCn setting for selection of that signal as an input to another digital-core function.

The sample rate for the input signal paths is configured by using the applicable IN_RATE, AIFn_RATE, or SLIMRXn_RATE field; see Table 4-26. Note that sample-rate conversion is required when routing the input signal paths to any signal chain that is asynchronous or configured for a different sample rate.



Figure 4-12. Digital-Core Inputs

4.3.3 Digital-Core Output Mixers

The digital core comprises multiple output paths. The output paths associated with AIF1–AIF4 are shown in [Fig. 4-13](#). The output paths associated with OUT1–OUT5 are shown in [Fig. 4-14](#). The output paths associated with the SLIMbus interface are shown in [Fig. 4-15](#).

A four-input mixer is associated with each output. The four input sources are selectable in each case, and independent volume control is provided for each path.

The AIF1–AIF4 output mixer control fields (see [Fig. 4-13](#)) are located at register addresses R1792–R1967 (0x0700–0x07AF). The OUT1–OUT5 output mixer control fields (see [Fig. 4-14](#)) are located at addresses R1664–R1743 (0x0680–0x06CF). The SLIMbus output mixer control fields (see [Fig. 4-15](#)) are located at addresses R1984–R2047 (0x07C0–0x07FF).

The full list of digital mixer control registers (R1600–R3576) is provided in [Section 6](#). Generic register field definitions are provided in [Table 4-11](#).

The `x_SRCn` fields select the input sources for the respective mixers. Note that the selected input sources must be configured for the same sample rate as the mixer to which they are connected. Sample-rate conversion functions are available to support flexible interconnectivity; see [Section 4.3.15](#) and [Section 4.3.16](#).

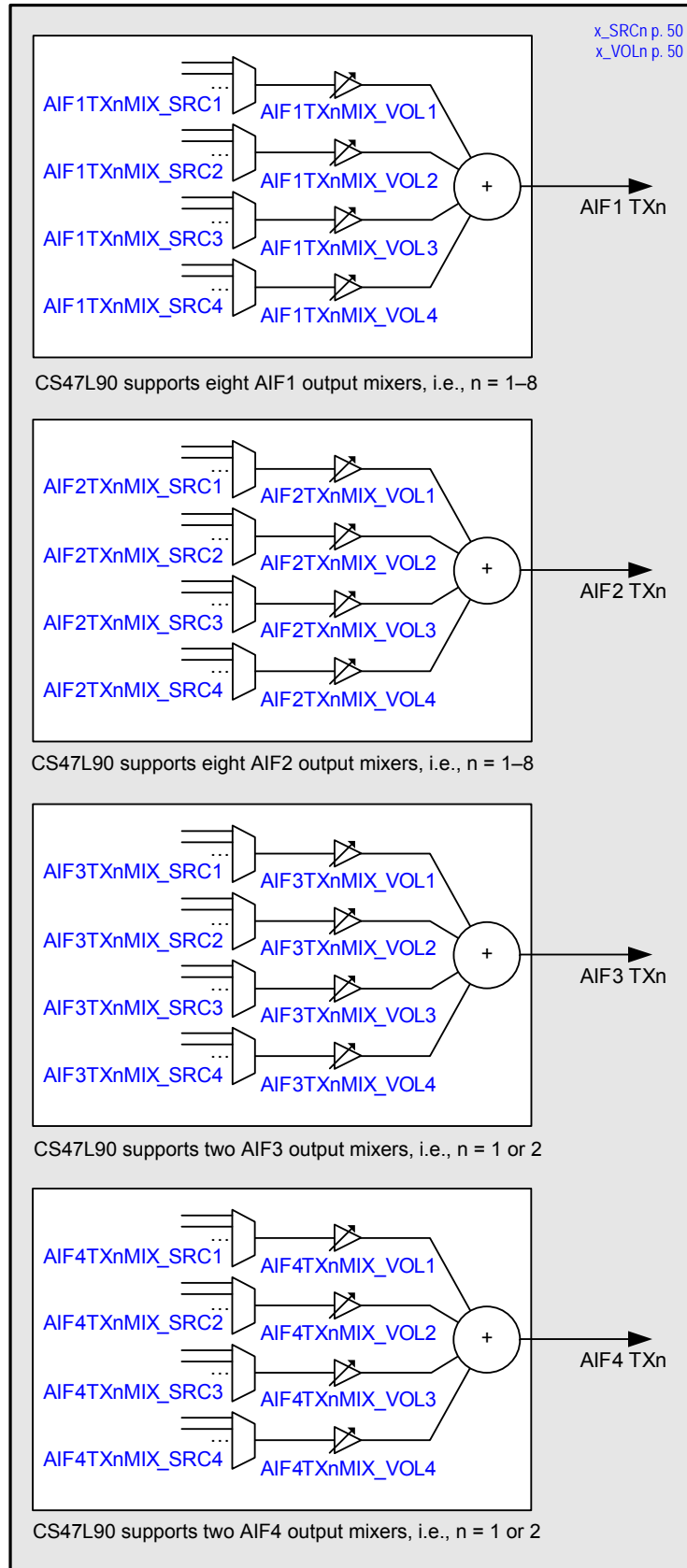
The sample rate for the output signal paths is configured using the applicable `OUT_RATE`, `AIFn_RATE`, or `SLIMTXn_RATE` fields; see [Table 4-26](#). Note that sample-rate conversion is required when routing the output signal paths to any signal chain that is asynchronous or configured for a different sample rate.

The `OUT_RATE`, `AIFn_RATE`, or `SLIMTXn_RATE` fields must not be changed if any of the respective `x_SRCn` fields is nonzero. The associated `x_SRCn` fields must be cleared before writing new values to `OUT_RATE`, `AIFn_RATE`, or `SLIMTXn_RATE`. A minimum delay of 125 μ s must be allowed between clearing the `x_SRCn` fields and writing to the associated `OUT_RATE`, `AIFn_RATE`, or `SLIMTXn_RATE` fields. See [Table 4-26](#) for details.

The AIF1, AIF3, and SLIMbus output mixers provide full support for 32-bit data words. Audio data samples up to 32 bits are supported on the AIF1, AIF3, and SLIMbus input channels, which can be routed to the AIF1, AIF3, and SLIMbus output paths. Note that other signal paths and signal-processing blocks within the digital core are limited to 24-bit data length; data samples are truncated to 24-bit length if they are routed through any function that does not support 32-bit data words.

The CS47L90 performs automatic checks to confirm that the `SYSCLK` frequency is high enough to support the output mixer paths. If the frequency is too low, an attempt to enable an output mixer path fails. Note that active signal paths are not affected under such circumstances.

The status bits in registers R1600–R3576 indicate the status of each digital mixer. If an underclocked error condition occurs, these bits indicate which mixers have been enabled.


Figure 4-13. Digital-Core AIF Outputs

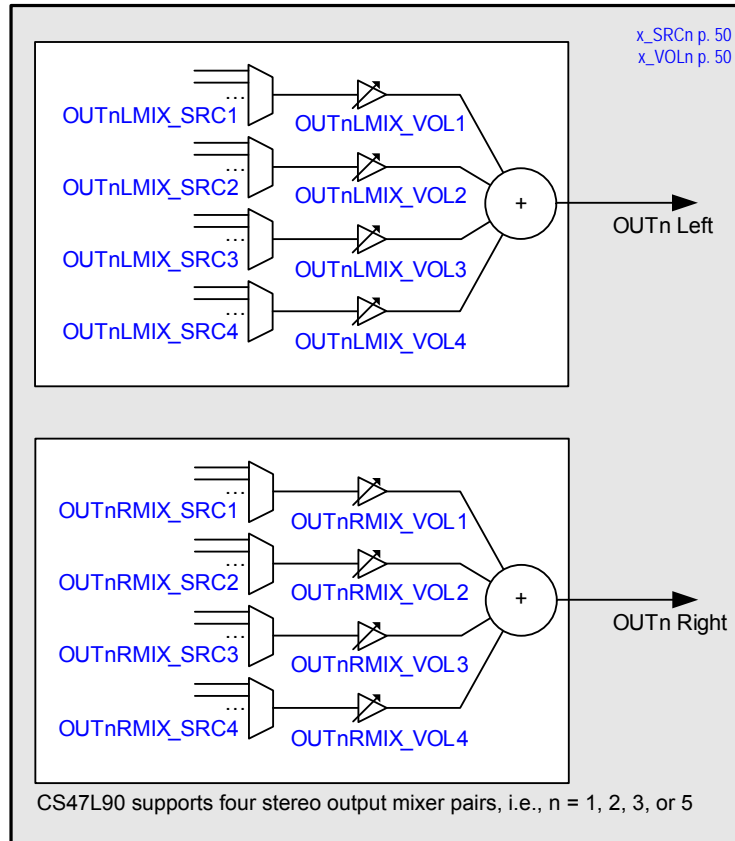


Figure 4-14. Digital-Core OUT n Outputs

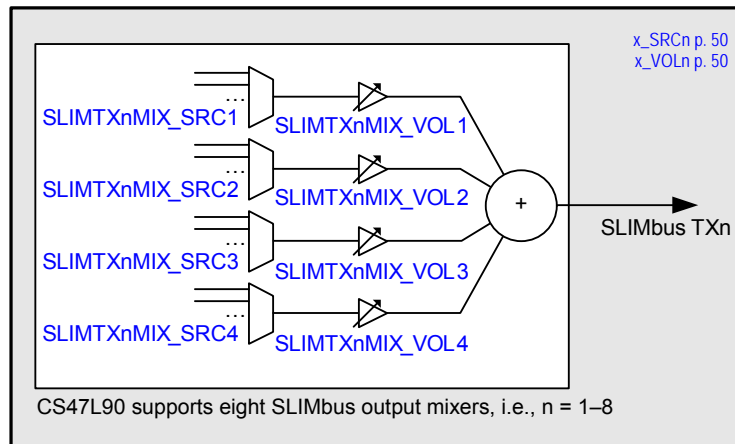


Figure 4-15. Digital-Core SLIMbus Outputs

4.3.4 Five-Band Parametric Equalizer (EQ)

The digital core provides four EQ processing blocks as shown in Fig. 4-16. A four-input mixer is associated with each EQ. The four input sources are selectable in each case, and independent volume control is provided for each path. Each EQ block supports one output.

The EQ provides selective control of five frequency bands as follows:

- The low-frequency band (Band 1) filter can be configured as a peak filter or as a shelving filter. If configured as a shelving filter, it provides adjustable gain below the Band 1 cut-off frequency. As a peak filter, it provides adjustable gain within a defined frequency band that is centered on the Band 1 frequency.

- The midfrequency bands (Band 2–Band 4) filters are peak filters that provide adjustable gain around the respective center frequency.
- The high-frequency band (Band 5) filter is a shelving filter that provides adjustable gain above the Band 5 cut-off frequency.

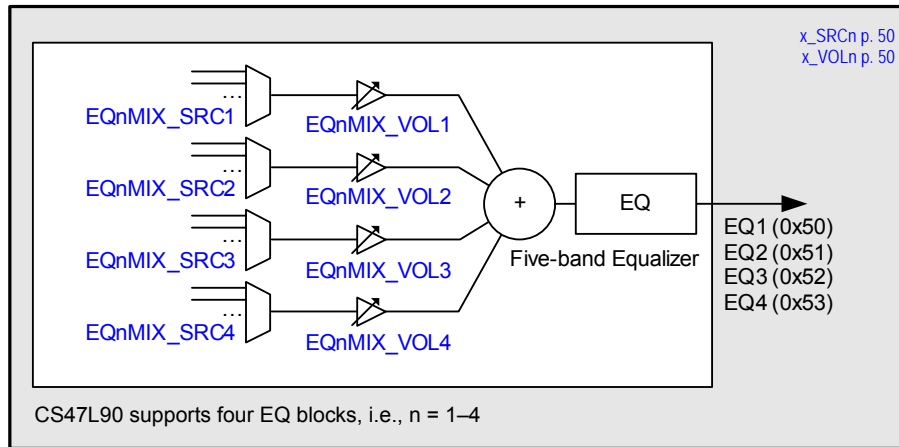


Figure 4-16. Digital-Core EQ Blocks

The EQ1–EQ4 mixer control fields (see Fig. 4-16) are located at register addresses R2176–R2207 (0x0880–0x089F).

The full list of digital-mixer control registers (R1600–R3576) is provided in Section 6. Generic register field definitions are provided in Table 4-11.

The x_SRCn fields select the input sources for the respective EQ processing blocks. Note that the selected input sources must be configured for the same sample rate as the EQ to which they are connected. Sample-rate conversion functions are available to support flexible interconnectivity; see Section 4.3.15 and Section 4.3.16.

The hexadecimal numbers in Fig. 4-16 indicate the corresponding x_SRCn setting for selection of that signal as an input to another digital-core function.

The sample rate for the EQ function is configured using FX_RATE ; see Table 4-26. Note that the EQ, DRC, and LHPF functions must be configured for the same sample rate. Sample-rate conversion is required when routing the EQ signal paths to any signal chain that is asynchronous or configured for a different sample rate.

The FX_RATE field must not be changed if any of the associated x_SRCn fields is nonzero. The associated x_SRCn fields must be cleared before writing a new value to FX_RATE . A minimum delay of 125 μs must be allowed between clearing the x_SRCn fields and writing to FX_RATE . See Table 4-26 for details.

The cut-off or center frequencies for the five-band EQ are set by using the coefficients held in the registers identified in Table 4-12. These coefficients are derived using tools provided in Cirrus Logic’s WISCE™ evaluation-board control software; please contact your Cirrus Logic representative for details.

Table 4-12. EQ Coefficient Registers

EQ	Register Addresses
EQ1	R3602 (0x0E10) to R3620 (0x0E24)
EQ2	R3624 (0x0E28) to R3642 (0x0E3A)
EQ3	R3646 (0x0E3E) to R3664 (0x0E53)
EQ4	R3668 (0x0E54) to R3686 (0x0E66)

The control registers associated with the EQ functions are described in Table 4-13.

Table 4-13. EQ Enable and Gain Control

Register Address	Bit	Label	Default	Description
R3585 (0x0E01) FX_Ctrl2	15:4	FX_STS[11:0]	0x00	LHPF, DRC, EQ Enable Status. Indicates the status of each respective signal-processing function. Each bit is coded as follows: 0 = Disabled 1 = Enabled [11] = EQ4 [7] = DRC2 (Right) [3] = LHPF4 [10] = EQ3 [6] = DRC2 (Left) [2] = LHPF3 [9] = EQ2 [5] = DRC1 (Right) [1] = LHPF2 [8] = EQ1 [4] = DRC1 (Left) [0] = LHPF1
R3600 (0x0E10) EQ1_1	15:11	EQ1_B1_GAIN[4:0]	0x0C	EQ1 Band 1 Gain ¹ (–12 dB to +12 dB in 1-dB steps)
	10:6	EQ1_B2_GAIN[4:0]	0x0C	EQ1 Band 2 Gain ¹ (–12 dB to +12 dB in 1-dB steps)
	5:1	EQ1_B3_GAIN[4:0]	0x0C	EQ1 Band 3 Gain ¹ (–12 dB to +12 dB in 1-dB steps)
	0	EQ1_ENA	0	EQ1 Enable 0 = Disabled 1 = Enabled
R3601 (0x0E11) EQ1_2	15:11	EQ1_B4_GAIN[4:0]	0x0C	EQ1 Band 4 Gain ¹ (–12 dB to +12 dB in 1-dB steps)
	10:6	EQ1_B5_GAIN[4:0]	0x0C	EQ1 Band 5 Gain ¹ (–12 dB to +12 dB in 1-dB steps)
	0	EQ1_B1_MODE	0	EQ1 Band 1 Mode 0 = Shelving filter 1 = Peak filter
R3602 (0x0E12) to R3620 (0x0E24)	15:0	EQ1_B1_* EQ1_B2_* EQ1_B3_* EQ1_B4_* EQ1_B5_*	—	EQ1 Frequency Coefficients. Refer to WISCE evaluation board control software for the derivation of these field values.
R3622 (0x0E26) EQ2_1	15:11	EQ2_B1_GAIN[4:0]	0x0C	EQ2 Band 1 Gain ¹ –12 dB to +12 dB in 1-dB steps
	10:6	EQ2_B2_GAIN[4:0]	0x0C	EQ2 Band 2 Gain ¹ –12 dB to +12 dB in 1-dB steps
	5:1	EQ2_B3_GAIN[4:0]	0x0C	EQ2 Band 3 Gain ¹ –12 dB to +12 dB in 1-dB steps
	0	EQ2_ENA	0	EQ2 Enable 0 = Disabled 1 = Enabled
R3623 (0x0E27) EQ2_2	15:11	EQ2_B4_GAIN[4:0]	0x0C	EQ2 Band 4 Gain ¹ (–12 dB to +12 dB in 1-dB steps)
	10:6	EQ2_B5_GAIN[4:0]	0x0C	EQ2 Band 5 Gain ¹ (–12 dB to +12 dB in 1-dB steps)
	0	EQ2_B1_MODE	0	EQ2 Band 1 Mode 0 = Shelving filter 1 = Peak filter
R3624 (0x0E28) to R3642 (0x0E3A)	15:0	EQ2_B1_* EQ2_B2_* EQ2_B3_* EQ2_B4_* EQ2_B5_*	—	EQ2 Frequency Coefficients. Refer to WISCE evaluation board control software for the derivation of these field values.
R3644 (0x0E3C) EQ3_1	15:11	EQ3_B1_GAIN[4:0]	0x0C	EQ3 Band 1 Gain ¹ (–12 dB to +12 dB in 1-dB steps)
	10:6	EQ3_B2_GAIN[4:0]	0x0C	EQ3 Band 2 Gain ¹ (–12 dB to +12 dB in 1-dB steps)
	5:1	EQ3_B3_GAIN[4:0]	0x0C	EQ3 Band 3 Gain ¹ (–12 dB to +12 dB in 1-dB steps)
	0	EQ3_ENA	0	EQ3 Enable 0 = Disabled 1 = Enabled
R3645 (0x0E3D) EQ3_2	15:11	EQ3_B4_GAIN[4:0]	0x0C	EQ3 Band 4 Gain ¹ (–12 dB to +12 dB in 1-dB steps)
	10:6	EQ3_B5_GAIN[4:0]	0x0C	EQ3 Band 5 Gain ¹ (–12 dB to +12 dB in 1-dB steps)
	0	EQ3_B1_MODE	0	EQ3 Band 1 Mode 0 = Shelving filter 1 = Peak filter

Table 4-13. EQ Enable and Gain Control (Cont.)

Register Address	Bit	Label	Default	Description
R3646 (0x0E3E) to R3664 (0x0E50)	15:0	EQ3_B1_* EQ3_B2_* EQ3_B3_* EQ3_B4_* EQ3_B5_*	—	EQ3 Frequency Coefficients. Refer to WISCE evaluation board control software for the derivation of these field values.
R3666 (0x0E52) EQ4_1	15:11	EQ4_B1_GAIN[4:0]	0x0C	EQ4 Band 1 Gain ¹ (–12 dB to +12 dB in 1-dB steps)
	10:6	EQ4_B2_GAIN[4:0]	0x0C	EQ4 Band 2 Gain ¹ (–12 dB to +12 dB in 1-dB steps)
	5:1	EQ4_B3_GAIN[4:0]	0x0C	EQ4 Band 3 Gain ¹ (–12 dB to +12 dB in 1-dB steps)
	0	EQ4_ENA	0	EQ4 Enable 0 = Disabled 1 = Enabled
R3667 (0x0E53) EQ4_2	15:11	EQ4_B4_GAIN[4:0]	0x0C	EQ4 Band 4 Gain ¹ (–12 dB to +12 dB in 1-dB steps)
	10:6	EQ4_B5_GAIN[4:0]	0x0C	EQ4 Band 5 Gain ¹ (–12 dB to +12 dB in 1-dB steps)
	0	EQ4_B1_MODE	0	EQ4 Band 1 Mode 0 = Shelving filter 1 = Peak filter
R3668 (0x0E54) to R3686 (0x0E66)	15:0	EQ4_B1_* EQ4_B2_* EQ4_B3_* EQ4_B4_* EQ4_B5_*	—	EQ4 Frequency Coefficients Refer to WISCE evaluation board control software for the derivation of these field values.

1. See [Table 4-14](#) for gain range.

[Table 4-14](#) lists the EQ gain control settings.

Table 4-14. EQ Gain-Control Range

EQ Gain Setting	Gain (dB)	EQ Gain Setting	Gain (dB)
00000	–12	01101	+1
00001	–11	01110	+2
00010	–10	01111	+3
00011	–9	10000	+4
00100	–8	10001	+5
00101	–7	10010	+6
00110	–6	10011	+7
00111	–5	10100	+8
01000	–4	10101	+9
01001	–3	10110	+10
01010	–2	10111	+11
01011	–1	11000	+12
01100	0	11001–11111	Reserved

The CS47L90 automatically checks to confirm whether the SYSCLK frequency is high enough to support the commanded EQ and digital mixing functions. If an attempt is made to enable an EQ signal path, and there are insufficient SYSCLK cycles to support it, the attempt does not succeed. Note that any signal paths that are already active are not affected under such circumstances.

The FX_STS field in register R3585 indicates the status of each EQ, DRC, and LHPF signal path. If an underclocked error condition occurs, this field indicates which EQ, DRC, or LHPF signal paths have been enabled.

The status bits in registers R1600–R3576 indicate the status of each digital mixer. If an underclocked error condition occurs, these bits indicate which mixers have been enabled.

4.3.5 Dynamic Range Control (DRC)

The digital core provides two stereo DRC processing blocks, as shown in Fig. 4-17. A four-input mixer is associated with each DRC input channel. The input sources are selectable in each case, and independent volume control is provided for each path. The stereo DRC blocks support two outputs each.

The function of the DRC is to adjust the signal gain in conditions where the input amplitude is unknown or varies over a wide range, for example, when recording from microphones built into a handheld system or to restrict the dynamic range of an output signal path.

To improve intelligibility in the presence of loud impulsive noises, the DRC can apply compression and automatic level control to the signal path. It incorporates anticlip and quick-release features for handling transients.

The DRC also incorporates a noise-gate function that provides additional attenuation of very low-level input signals. This means that the signal path is quiet when no signal is present, giving an improvement in background noise level under these conditions.

A signal-detect function is provided within the DRC; this can be used to detect the presence of an audio signal and to trigger other events. It can also be used as an interrupt event or to trigger the control-write sequencer. Note that DRC triggering of the control-write sequencer is supported for DRC1 only.

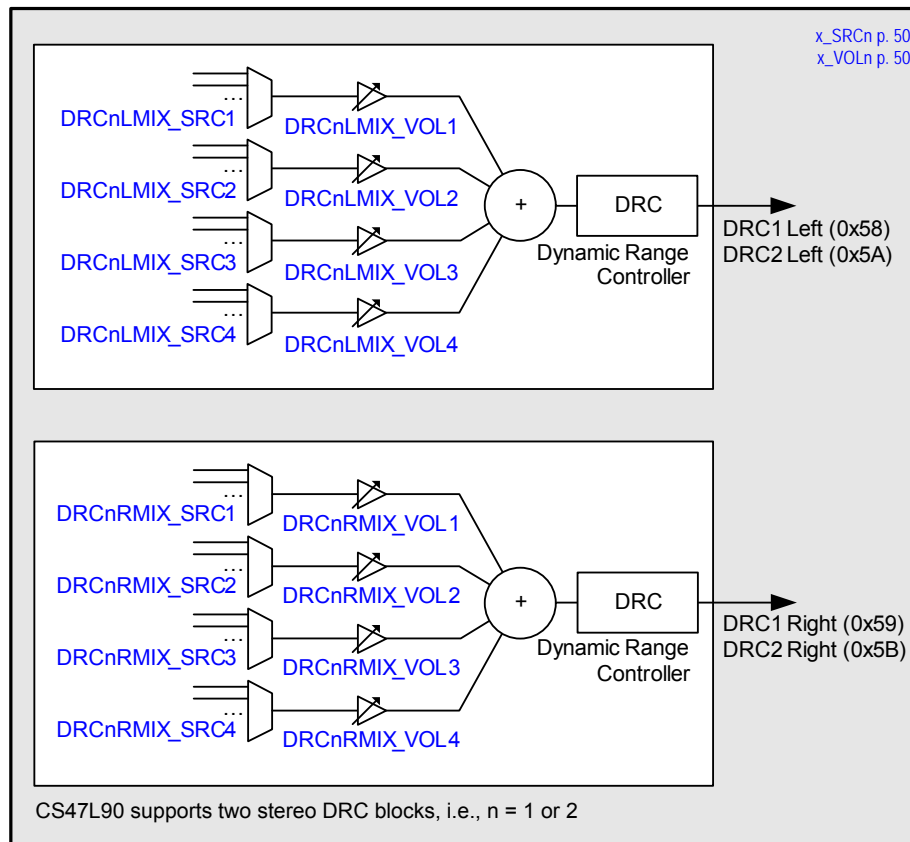


Figure 4-17. Dynamic Range Control (DRC) Block

The DRC1 and DRC2 mixer control fields (see Fig. 4-17) are located at register addresses R2240–R2271 (0x08C0–0x08DF).

The full list of digital mixer control registers (R1600–R3576) is provided in Section 6. Generic register field definitions are provided in Table 4-11.

The x_SRCn fields select the input sources for the respective DRC processing blocks. Note that the selected input sources must be configured for the same sample rate as the DRC to which they are connected. Sample-rate conversion functions are available to support flexible interconnectivity; see Section 4.3.15 and Section 4.3.16.

The hexadecimal numbers in [Fig. 4-17](#) indicate the corresponding x_SRCn setting for selection of that signal as an input to another digital-core function.

The sample rate for the DRC function is configured using FX_RATE ; see [Table 4-26](#). Note that the EQ, DRC, and LHPF functions must all be configured for the same sample rate. Sample-rate conversion is required when routing the DRC signal paths to any signal chain that is asynchronous or configured for a different sample rate.

The FX_RATE field must not be changed if any of the associated x_SRCn fields is nonzero. The associated x_SRCn fields must be cleared before writing a new value to FX_RATE . A minimum delay of 125 μs must be allowed between clearing the x_SRCn fields and writing to FX_RATE . See [Table 4-26](#) for details.

The DRC functions are enabled using the control registers described in [Table 4-15](#).

Table 4-15. DRC Enable

Register Address	Bit	Label	Default	Description
R3712 (0x0E80) DRC1_ctrl1	1	DRC1L_ENA	0	DRC1 (left) enable 0 = Disabled 1 = Enabled
	0	DRC1R_ENA	0	DRC1 (right) enable 0 = Disabled 1 = Enabled
R3720 (0x0E88) DRC2_ctrl1	1	DRC2L_ENA	0	DRC2 (left) enable 0 = Disabled 1 = Enabled
	0	DRC2R_ENA	0	DRC2 (right) enable 0 = Disabled 1 = Enabled

The following description of the DRC is applicable to each DRC. The associated control fields are described in [Table 4-17](#) and [Table 4-18](#) for DRC1 and DRC2 respectively.

4.3.5.1 DRC Compression, Expansion, and Limiting

The DRC supports two different compression regions, separated by a knee at a specific input amplitude. In the region above the knee, the compression slope $DRCn_HI_COMP$ applies; in the region below the knee, the compression slope $DRCn_LO_COMP$ applies. Note that n identifies the applicable DRC 1 or 2.

The DRC also supports a noise-gate region, where low-level input signals are heavily attenuated. This function can be enabled or disabled according to the application requirements. The DRC response in this region is defined by the expansion slope $DRCn_NG_EXP$.

For additional attenuation of signals in the noise-gate region, an additional knee can be defined (shown as Knee 2 in [Fig. 4-18](#)). When this knee is enabled, this introduces an infinitely steep drop-off in the DRC response pattern between the $DRCn_LO_COMP$ and $DRCn_NG_EXP$ regions.

The overall DRC compression characteristic in steady state (i.e., where the input amplitude is near constant) is shown in [Fig. 4-18](#).

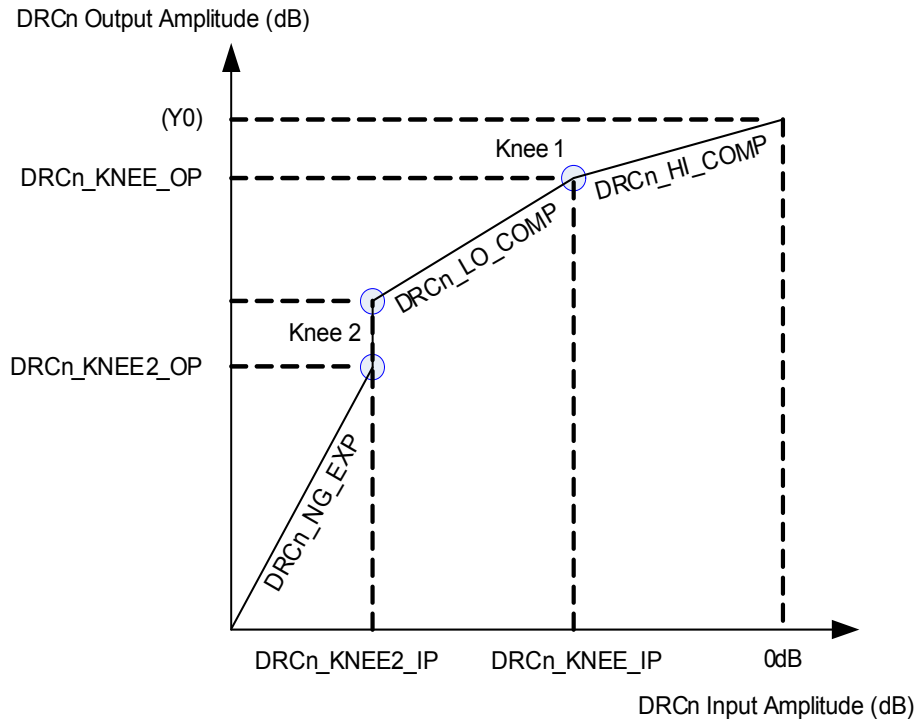


Figure 4-18. DRC Response Characteristic

The slope of the DRC response is determined by $DRCn_HI_COMP$ and $DRCn_LO_COMP$. A slope of 1 indicates constant gain in this region. A slope less than 1 represents compression (i.e., a change in input amplitude produces only a smaller change in output amplitude). A slope of 0 indicates that the target output amplitude is the same across a range of input amplitudes; this is infinite compression.

When the noise gate is enabled, the DRC response in this region is determined by $DRCn_NG_EXP$. A slope of 1 indicates constant gain in this region. A slope greater than 1 represents expansion (i.e., a change in input amplitude produces a larger change in output amplitude).

When the $DRCn_KNEE2_OP$ knee is enabled (Knee 2 in Fig. 4-18), this introduces the vertical line in the response pattern shown, resulting in infinitely steep attenuation at this point in the response.

The DRC parameters are listed in Table 4-16.

Table 4-16. DRC Response Parameters

Parameters	Parameter	Description
1	$DRCn_KNEE_IP$	Input level at Knee 1 (dB)
2	$DRCn_KNEE_OP$	Output level at Knee 2 (dB)
3	$DRCn_HI_COMP$	Compression ratio above Knee 1
4	$DRCn_LO_COMP$	Compression ratio below Knee 1
5	$DRCn_KNEE2_IP$	Input level at Knee 2 (dB)
6	$DRCn_NG_EXP$	Expansion ratio below Knee 2
7	$DRCn_KNEE2_OP$	Output level at Knee 2 (dB)

The noise gate is enabled by setting $DRCn_NG_ENA$. When the noise gate is not enabled, Parameters 5–7 (see Table 4-16) are ignored, and the $DRCn_LO_COMP$ slope applies to all input signal levels below Knee 1.

The $DRCn_KNEE2_OP$ knee is enabled by setting $DRCn_KNEE2_OP_ENA$. If this bit is not set, Parameter 7 is ignored and the Knee 2 position always coincides with the low end of the $DRCn_LO_COMP$ region.

The Knee 1 point in Fig. 4-18 is determined by $DRCn_KNEE_IP$ and $DRCn_KNEE_OP$.

Parameter Y0, the output level for a 0 dB input, is not specified directly but can be calculated from the other parameters using [Eq. 4-1](#).

$$Y0 = \text{DRCn_KNEE_OP} - (\text{DRCn_KNEE_IP} \times \text{DRCn_HI_COMP})$$

Equation 4-1. DRC Compression Calculation

4.3.5.2 Gain Limits

The minimum and maximum gain applied by the DRC is set by `DRCn_MINGAIN`, `DRCn_MAXGAIN`, and `DRCn_NG_MINGAIN`. These limits can be used to alter the DRC response from that shown in [Fig. 4-18](#). If the range between maximum and minimum gain is reduced, the extent of the dynamic range control is reduced.

The minimum gain in the compression regions of the DRC response is set by `DRCn_MINGAIN`. The minimum gain in the noise-gate region is set by `DRCn_NG_MINGAIN`. The minimum gain limit prevents excessive attenuation of the signal path.

The maximum gain limit set by `DRCn_MAXGAIN` prevents quiet signals (or silence) from being excessively amplified.

4.3.5.3 Dynamic Characteristics

The dynamic behavior determines how quickly the DRC responds to changing signal levels. Note that the DRC responds to the average (RMS) signal amplitude over a period of time.

The `DRCn_ATK` determines how quickly the DRC gain decreases when the signal amplitude is high. The `DRCn_DCY` determines how quickly the DRC gain increases when the signal amplitude is low.

These fields are described in [Table 4-17](#) and [Table 4-18](#). The register defaults are suitable for general-purpose microphone use.

4.3.5.4 Anticlip Control

The DRC includes an anticlip function to avoid signal clipping when the input amplitude rises very quickly. This function uses a feed-forward technique for early detection of a rising signal level. Signal clipping is avoided by dynamically increasing the gain attack rate when required.

The anticlip function is enabled using the `DRCn_ANTICLIP` bit. Note that the feed-forward processing increases the latency in the input signal path.

The anticlip feature operates entirely in the digital domain; it cannot be used to prevent signal clipping in the analog domain nor in the source signal. Analog clipping can only be prevented by reducing the analog signal gain or by adjusting the source signal.

It is recommended to disable the anticlip function if the quick-release function (see [Section 4.3.5.5](#)) is enabled.

4.3.5.5 Quick Release Control

The DRC includes a quick-release function to handle short transient peaks that are not related to the intended source signal. For example, in handheld microphone recording, transient signal peaks sometimes occur due to user handling, key presses or accidental tapping against the microphone. The quick-release function ensures that these transients do not cause the intended signal to be masked by the longer time constant of `DRCn_DCY`.

The quick-release function is enabled by setting the `DRCn_QR` bit. When this bit is enabled, the DRC measures the crest factor (peak to RMS ratio) of the input signal. A high crest factor is indicative of a transient peak that may not be related to the intended source signal. If the crest factor exceeds the level set by `DRCn_QR_THR`, the normal decay rate (`DRCn_DCY`) is ignored and a faster decay rate (`DRCn_QR_DCY`) is used instead.

It is recommended to disable the quick-release function if the anticlip function (see [Section 4.3.5.4](#)) is enabled.

4.3.5.6 Signal Activity Detect

The DRC incorporates a configurable signal-detect function, allowing the signal level at the DRC input to be monitored and to be used to trigger other events. This can be used to detect the presence of a microphone signal on an ADC or DMIC channel or to detect an audio signal received over the digital audio interface.

The DRC signal-detect function is enabled by setting `DRCn_SIG_DET`. Note that the respective `DRCn` must also be enabled. The detection threshold is either a peak level (crest factor) or an RMS level, depending on `DRCn_SIG_DET_MODE`. When peak level is selected, the threshold is determined by `DRCn_SIG_DET_PK`, which defines the applicable crest factor (peak-to-RMS ratio) threshold. If RMS level is selected, the threshold is set using `DRCn_SIG_DET_RMS`.

The DRC signal-detect function is an input to the interrupt control circuit and can be used to trigger an interrupt event; see [Section 4.16](#).

The control-write sequencer can be triggered by the DRC1 signal-detect function. This is enabled by setting `DRC1_WSEQ_SIG_DET_ENA`. See [Section 4.19](#).

Note that signal detection is supported on DRC1 and DRC2, but the triggering of the control-write sequencer is available on DRC1 only.

4.3.5.7 DRC Register Controls

The DRC1 control registers are described in [Table 4-17](#).

Table 4-17. DRC1 Control Registers

Register Address	Bit	Label	Default	Description
R3585 (0x0E01) FX_Ctrl2	15:4	FX_STS[11:0]	0x00	LHPF, DRC, EQ enable status. Indicates the status of each respective signal-processing function. Each bit is coded as follows: 0 = Disabled 1 = Enabled [11] = EQ4 [7] = DRC2 (Right) [3] = LHPF4 [10] = EQ3 [6] = DRC2 (Left) [2] = LHPF3 [9] = EQ2 [5] = DRC1 (Right) [1] = LHPF2 [8] = EQ1 [4] = DRC1 (Left) [0] = LHPF1

Table 4-17. DRC1 Control Registers (Cont.)

Register Address	Bit	Label	Default	Description
R3712 (0x0E80) DRC1_ctrl1	15:11	DRC1_SIG_DET_RMS[4:0]	0x00	DRC1 Signal-Detect RMS Threshold. RMS signal level for signal-detect to be indicated when DRC1_SIG_DET_MODE = 1. 0x00 = -30 dB (1.5-dB steps) 0x1F = -76.5 dB 0x01 = -31.5 dB 0x1E = -75 dB
	10:9	DRC1_SIG_DET_PK[1:0]	00	DRC1 Signal-Detect Peak Threshold. This is the Peak/RMS ratio, or Crest Factor, level for signal-detect to be indicated when DRC1_SIG_DET_MODE = 0. 00 = 12 dB 10 = 24 dB 01 = 18 dB 11 = 30 dB
	8	DRC1_NG_ENA	0	DRC1 Noise-Gate Enable 0 = Disabled 1 = Enabled
	7	DRC1_SIG_DET_MODE	0	DRC1 Signal-Detect Mode 0 = Peak threshold mode 1 = RMS threshold mode
	6	DRC1_SIG_DET	0	DRC1 Signal-Detect Enable 0 = Disabled 1 = Enabled
	5	DRC1_KNEE2_OP_ENA	0	DRC1 KNEE2_OP Enable 0 = Disabled 1 = Enabled
	4	DRC1_QR	1	DRC1 Quick-release Enable 0 = Disabled 1 = Enabled
	3	DRC1_ANTICLIP	1	DRC1 Anticlip Enable 0 = Disabled 1 = Enabled
	2	DRC1_WSEQ_SIG_DET_ENA	0	DRC1 Signal-Detect Write Sequencer Select 0 = Disabled 1 = Enabled
R3713 (0x0E81) DRC1_ctrl2	12:9	DRC1_ATK[3:0]	0100	DRC1 Gain attack rate (seconds/6 dB) 0000 = Reserved 0101 = 2.9 ms 1010 = 92.8 ms 0001 = 181 μs 0110 = 5.8 ms 1011 = 185.6 ms 0010 = 363 μs 0111 = 11.6 ms 1100 to 1111 = Reserved 0011 = 726 μs 1000 = 23.2 ms 0100 = 1.45 ms 1001 = 46.4 ms
	8:5	DRC1_DCY[3:0]	1001	DRC1 Gain decay rate (seconds/6 dB) 0000 = 1.45 ms 0101 = 46.5 ms 1010 = 1.49 s 0001 = 2.9 ms 0110 = 93 ms 1011 = 2.97 s 0010 = 5.8 ms 0111 = 186 ms 1100 to 1111 = Reserved 0011 = 11.6 ms 1000 = 372 ms 0100 = 23.25 ms 1001 = 743 ms
	4:2	DRC1_MINGAIN[2:0]	100	DRC1 Minimum gain to attenuate audio signals 000 = 0 dB 011 = -24 dB 11X = Reserved 001 = -12 dB 100 = -36 dB 010 = -18 dB 101 = Reserved
	1:0	DRC1_MAXGAIN[1:0]	11	DRC1 Maximum gain to boost audio signals (dB) 00 = 12 dB 10 = 24 dB 01 = 18 dB 11 = 36 dB

Table 4-17. DRC1 Control Registers (Cont.)

Register Address	Bit	Label	Default	Description
R3714 (0x0E82) DRC1_ctrl3	15:12	DRC1_NG_MINGAIN[3:0]	0000	DRC1 Minimum gain to attenuate audio signals when the Noise Gate is active. 0000 = -36 dB 0101 = -6 dB 1010 = 24 dB 0001 = -30 dB 0110 = 0 dB 1011 = 30 dB 0010 = -24 dB 0111 = 6 dB 1100 = 36 dB 0011 = -18 dB 1000 = 12 dB 1101 to 1111 = Reserved 0100 = -12 dB 1001 = 18 dB
	11:10	DRC1_NG_EXP[1:0]	00	DRC1 Noise-Gate slope 00 = 1 (no expansion) 10 = 4 01 = 2 11 = 8
	9:8	DRC1_QR_THR[1:0]	00	DRC1 Quick-release threshold (crest factor in dB) 00 = 12 dB 10 = 24 dB 01 = 18 dB 11 = 30 dB
	7:6	DRC1_QR_DCY[1:0]	00	DRC1 Quick-release decay rate (seconds/6 dB) 00 = 0.725 ms 10 = 5.8 ms 01 = 1.45 ms 11 = Reserved
	5:3	DRC1_HI_COMP[2:0]	011	DRC1 Compressor slope (upper region) 000 = 1 (no compression) 011 = 1/8 11X = Reserved 001 = 1/2 100 = 1/16 010 = 1/4 101 = 0
	2:0	DRC1_LO_COMP[2:0]	000	DRC1 Compressor slope (lower region) 000 = 1 (no compression) 011 = 1/8 11X = Reserved 001 = 1/2 100 = 0 010 = 1/4 101 = Reserved
R3715 (0x0E83) DRC1_ctrl4	10:5	DRC1_KNEE_IP[5:0]	0x00	DRC1 Input signal level at the compressor knee. 0x00 = 0 dB 0x02 = -1.5 dB 0x3C = -45 dB 0x01 = -0.75 dB ... (-0.75-dB steps) 0x3D-0x3F = Reserved
	4:0	DRC1_KNEE_OP[4:0]	0x00	DRC1 Output signal at the compressor knee. 0x00 = 0 dB 0x02 = -1.5 dB 0x1E = -22.5 dB 0x01 = -0.75 dB ... (-0.75 dB steps) 0x1F = Reserved
R3716 (0x0E84) DRC1_ctrl5	9:5	DRC1_KNEE2_IP[4:0]	0x00	DRC1 Input signal level at the noise-gate threshold, Knee 2. 0x00 = -36 dB 0x02 = -39 dB 0x1E = -81 dB 0x01 = -37.5 dB ... (-1.5-dB steps) 0x1F = -82.5 dB Applicable if DRC1_NG_ENA = 1
	4:0	DRC1_KNEE2_OP[4:0]	0x00	DRC1 Output signal at the noise-gate threshold, Knee 2. 0x00 = -30 dB 0x02 = -33 dB 0x1E = -75 dB 0x01 = -31.5 dB ... (-1.5dB steps) 0x1F = -76.5 dB Applicable only if DRC1_KNEE2_OP_ENA = 1

The DRC2 control registers are described in [Table 4-18](#).

Table 4-18. DRC2 Control Registers

Register Address	Bit	Label	Default	Description
R3585 (0x0E01) FX_Ctrl2	15:4	FX_STS[11:0]	0x00	LHPF, DRC, EQ Enable Status. Indicates the status of each respective signal-processing function. Each bit is coded as follows: 0 = Disabled 1 = Enabled [11] = EQ4 [7] = DRC2 (Right) [3] = LHPF4 [10] = EQ3 [6] = DRC2 (Left) [2] = LHPF3 [9] = EQ2 [5] = DRC1 (Right) [1] = LHPF2 [8] = EQ1 [4] = DRC1 (Left) [0] = LHPF1

Table 4-18. DRC2 Control Registers (Cont.)

Register Address	Bit	Label	Default	Description
R3720 (0x0E88) DRC2_ctrl1	15:11	DRC2_SIG_DET_RMS[4:0]	0x00	DRC2 Signal-Detect RMS Threshold. This is the RMS signal level for signal-detect to be indicated when DRC2_SIG_DET_MODE = 1. 0x00 = -30 dB (1.5-dB steps) 0x01 = -31.5 dB 0x1E = -75 dB 0x1F = -76.5 dB
	10:9	DRC2_SIG_DET_PK[1:0]	00	DRC2 Signal-Detect Peak Threshold. Peak/RMS ratio, or Crest Factor, level for signal-detect to be indicated when DRC2_SIG_DET_MODE = 0. 00 = 12 dB 10 = 24 dB 01 = 18 dB 11 = 30 dB
	8	DRC2_NG_ENA	0	DRC2 Noise-Gate Enable 0 = Disabled 1 = Enabled
	7	DRC2_SIG_DET_MODE	0	DRC2 Signal-Detect Mode 0 = Peak threshold mode 1 = RMS threshold mode
	6	DRC2_SIG_DET	0	DRC2 Signal-Detect Enable 0 = Disabled 1 = Enabled
	5	DRC2_KNEE2_OP_ENA	0	DRC2 KNEE2_OP Enable 0 = Disabled 1 = Enabled
	4	DRC2_QR	1	DRC2 Quick-release Enable 0 = Disabled 1 = Enabled
	3	DRC2_ANTICLIP	1	DRC2 Anticlip Enable 0 = Disabled 1 = Enabled
R3721 (0x0E89) DRC2_ctrl2	12:9	DRC2_ATK[3:0]	0100	DRC2 Gain attack rate (seconds/6 dB) 0000 = Reserved 0001 = 181 μs 0010 = 363 μs 0011 = 726 μs 0100 = 1.45 ms 0101 = 2.9 ms 0110 = 5.8 ms 0111 = 11.6 ms 1000 = 23.2 ms 1001 = 46.4 ms 1010 = 92.8 ms 1011 = 185.6 ms 1100 to 1111 = Reserved
	8:5	DRC2_DCY[3:0]	1001	DRC2 Gain decay rate (seconds/6 dB) 0000 = 1.45 ms 0001 = 2.9 ms 0010 = 5.8 ms 0011 = 11.6 ms 0100 = 23.25 ms 0101 = 46.5 ms 0110 = 93 ms 0111 = 186 ms 1000 = 372 ms 1001 = 743 ms 1010 = 1.49 s 1011 = 2.97 s 1100 to 1111 = Reserved
	4:2	DRC2_MINGAIN[2:0]	100	DRC2 Minimum gain to attenuate audio signals 000 = 0 dB 001 = -12 dB (default) 010 = -18 dB 011 = -24 dB 100 = -36 dB 101 = Reserved 11X = Reserved
	1:0	DRC2_MAXGAIN[1:0]	11	DRC2 Maximum gain to boost audio signals (dB) 00 = 12 dB 01 = 18 dB 10 = 24 dB 11 = 36 dB

Table 4-18. DRC2 Control Registers (Cont.)

Register Address	Bit	Label	Default	Description
R3722 (0x0E8A) DRC2_ctrl3	15:12	DRC2_NG_MINGAIN[3:0]	0000	DRC2 Minimum gain to attenuate audio signals when the Noise Gate is active. 0000 = -36 dB 0101 = -6 dB 1010 = 24 dB 0001 = -30 dB 0110 = 0 dB 1011 = 30 dB 0010 = -24 dB 0111 = 6 dB 1100 = 36 dB 0011 = -18 dB 1000 = 12 dB 1101 to 1111 = Reserved 0100 = -12 dB 1001 = 18 dB
	11:10	DRC2_NG_EXP[1:0]	00	DRC2 Noise-Gate slope 00 = 1 (no expansion) 10 = 4 01 = 2 11 = 8
	9:8	DRC2_QR_THR[1:0]	00	DRC2 Quick-release threshold (crest factor in dB) 00 = 12 dB 10 = 24 dB 01 = 18 dB 11 = 30 dB
	7:6	DRC2_QR_DCY[1:0]	00	DRC2 Quick-release decay rate (seconds/6 dB) 00 = 0.725 ms 10 = 5.8 ms 01 = 1.45 ms 11 = Reserved
	5:3	DRC2_HI_COMP[2:0]	011	DRC2 Compressor slope (upper region) 000 = 1 (no compression) 011 = 1/8 11X = Reserved 001 = 1/2 100 = 1/16 010 = 1/4 101 = 0
	2:0	DRC2_LO_COMP[2:0]	000	DRC2 Compressor slope (lower region) 000 = 1 (no compression) 011 = 1/8 11X = Reserved 001 = 1/2 100 = 0 010 = 1/4 101 = Reserved
R3723 (0x0E8B) DRC2_ctrl4	10:5	DRC2_KNEE_IP[5:0]	000000	DRC2 Input signal level at the compressor knee. 0x00 = 0 dB 0x02 = -1.5 dB 0x3C = -45 dB 0x01 = -0.75 dB ... (-0.75-dB steps) 0x3D-0x3F = Reserved
	4:0	DRC2_KNEE_OP[4:0]	00000	DRC2 Output signal at the compressor knee. 0x00 = 0 dB 0x02 = -1.5 dB 0x1E = -22.5 dB 0x01 = -0.75 dB ... (-0.75 dB steps) 0x1F = Reserved
R3724 (0x0E8C) DRC2_ctrl5	9:5	DRC2_KNEE2_IP[4:0]	00000	DRC2 Input signal level at the noise-gate threshold, Knee 2. 0x00 = -36 dB 0x02 = -39 dB 0x1E = -81 dB 0x01 = -37.5 dB ... (-1.5-dB steps) 0x1F = -82.5 dB Applicable only if DRC2_NG_ENA = 1.
	4:0	DRC2_KNEE2_OP[4:0]	00000	DRC2 Output signal at the noise-gate threshold, Knee 2. 0x00 = -30 dB 0x02 = -33 dB 0x1E = -75 dB 0x01 = -31.5 dB ... (-1.5dB steps) 0x1F = -76.5 dB Applicable only if DRC2_KNEE2_OP_ENA = 1.

The CS47L90 performs automatic checks to confirm that the SYSCLK frequency is high enough to support the commanded DRC and digital mixing functions. If the frequency is too low, an attempt to enable a DRC signal path fails. Note that active signal paths are not affected under such circumstances.

The FX_STS field in register R3585 indicates the status of each EQ, DRC, and LHPF signal path. If an underclocked error condition occurs, this field indicates which EQ, DRC, or LHPF signal paths have been enabled.

The status bits in registers R1600–R3576 indicate the status of each digital mixer. If an underclocked error condition occurs, these bits indicate which mixers have been enabled.

4.3.6 Low-/High-Pass Digital Filter (LHPF)

The digital core provides four LHPF processing blocks as shown in Fig. 4-19. A four-input mixer is associated with each filter. The four input sources are selectable in each case, and independent volume control is provided for each path. Each LHPF block supports one output.

The LHPF /HPF can be used to remove unwanted out-of-band noise from a signal path. Each filter can be configured either as a low-pass filter (LPF) or a high-pass filter (HPF).

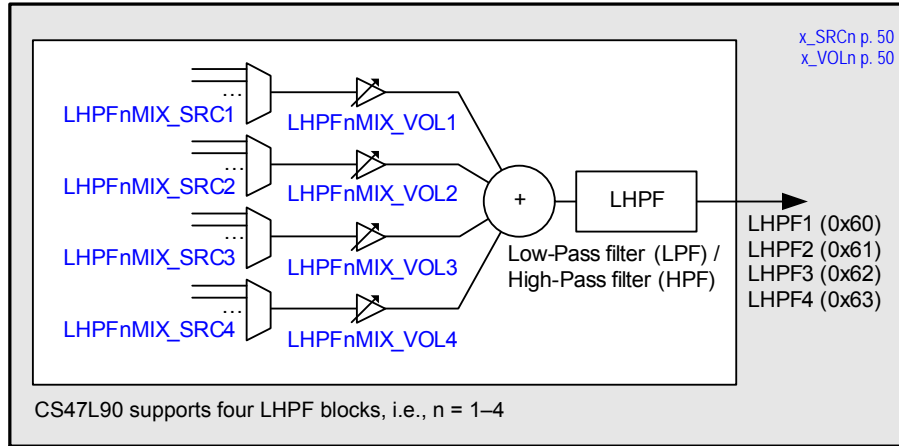


Figure 4-19. Digital-Core LPF/HPF Blocks

The LHPF1–LHPF4 mixer control fields, shown in Fig. 4-19, are located at register addresses R2304–R2335 (0x0900–0x091F).

The full list of digital mixer control registers (R1600–R3576) is provided in Section 6. Generic register field definitions are provided in Table 4-11.

The x_SRCn fields select the input sources for the respective LHPF processing blocks. Note that the selected input sources must be configured for the same sample rate as the LHPF to which they are connected. Sample-rate conversion functions are available to support flexible interconnectivity; see Section 4.3.15 and Section 4.3.16.

The hexadecimal numbers in Fig. 4-19 indicate the corresponding x_SRCn setting for selection of that signal as an input to another digital-core function.

The sample rate for the LHPF function is configured using FX_RATE ; see Table 4-26. Note that the EQ, DRC, and LHPF functions must all be configured for the same sample rate. Sample-rate conversion is required when routing the LHPF signal paths to any signal chain that is asynchronous or configured for a different sample rate.

The FX_RATE field must not be changed if any of the associated x_SRCn fields is nonzero. The associated x_SRCn fields must be cleared before writing a new value to FX_RATE . A minimum delay of 125 μs must be allowed between clearing the x_SRCn fields and writing to FX_RATE . See Table 4-26 for details.

The control registers associated with the LHPF functions are described in Table 4-19.

The cut-off frequencies for the LHPF blocks are set by using the coefficients held in registers R3777, R3781, R3785, and R3789 for LHPF1, LHPF2, LHPF3 and LHPF4 respectively. These coefficients are derived using tools provided in Cirrus Logic’s WISCE evaluation board control software; please contact your Cirrus Logic representative for details.

Table 4-19. Low-Pass Filter/High-Pass Filter

Register Address	Bit	Label	Default	Description
R3585 (0x0E01) FX_Ctrl2	15:4	FX_STS[11:0]	0x00	LHPF, DRC, EQ Enable Status. Indicates the status of the respective signal-processing functions. Each bit is coded as follows: 0 = Disabled 1 = Enabled [11] = EQ4 [10] = EQ3 [9] = EQ2 [8] = EQ1 [7] = DRC2 (Right) [6] = DRC2 (Left) [5] = DRC1 (Right) [4] = DRC1 (Left) [3] = LHPF4 [2] = LHPF3 [1] = LHPF2 [0] = LHPF1

Table 4-19. Low-Pass Filter/High-Pass Filter (Cont.)

Register Address	Bit	Label	Default	Description
R3776 (0x0EC0) HPLPF1_1	1	LHPF1_MODE	0	Low-/High-Pass Filter 1 Mode 0 = Low Pass 1 = High Pass
	0	LHPF1_ENA	0	Low-/High-Pass Filter 1 Enable 0 = Disabled 1 = Enabled
R3777 (0x0EC1) HPLPF1_2	15:0	LHPF1_COEFF[15:0]	0x0000	Low-/High-Pass Filter 1 Frequency Coefficient Refer to WISCE evaluation board control software for the derivation of this field value.
R3780 (0x0EC4) HPLPF2_1	1	LHPF2_MODE	0	Low-/High-Pass Filter 2 Mode 0 = Low Pass 1 = High Pass
	0	LHPF2_ENA	0	Low-/High-Pass Filter 2 Enable 0 = Disabled 1 = Enabled
R3781 (0x0EC5) HPLPF2_2	15:0	LHPF2_COEFF[15:0]	0x0000	Low-/High-Pass Filter 2 Frequency Coefficient Refer to WISCE evaluation board control software for the derivation of this field value.
R3784 (0x0EC8) HPLPF3_1	1	LHPF3_MODE	0	Low-/High-Pass Filter 3 Mode 0 = Low Pass 1 = High Pass
	0	LHPF3_ENA	0	Low-/High-Pass Filter 3 Enable 0 = Disabled 1 = Enabled
R3785 (0x0EC9) HPLPF3_2	15:0	LHPF3_COEFF[15:0]	0x0000	Low-/High-Pass Filter 3 Frequency Coefficient Refer to WISCE evaluation board control software for the derivation of this field value.
R3788 (0x0ECC) HPLPF4_1	1	LHPF4_MODE	0	Low-/High-Pass Filter 4 Mode 0 = Low Pass 1 = High Pass
	0	LHPF4_ENA	0	Low-/High-Pass Filter 4 Enable 0 = Disabled 1 = Enabled
R3789 (0x0ECD) HPLPF4_2	15:0	LHPF4_COEFF[15:0]	0x0000	Low-/High-Pass Filter 4 Frequency Coefficient Refer to WISCE evaluation board control software for the derivation of this field value.

The CS47L90 performs automatic checks to confirm whether the SYSCLK frequency is high enough to support the commanded LHPF and digital mixing functions. If the frequency is too low, an attempt to enable an LHPF signal path fails. Note that active signal paths are not affected under such circumstances.

The FX_STS field in register R3585 indicates the status of each EQ, DRC, and LHPF signal path. If an underclocked error condition occurs, this field indicates which EQ, DRC, or LHPF signal paths have been enabled.

The status bits in registers R1600–R3576 indicate the status of each digital mixer. If an underclocked error condition occurs, these bits indicate which mixers have been enabled.

4.3.7 Digital-Core DSP

The digital core provides seven programmable DSP processing blocks as shown in [Fig. 4-20](#). Each block supports eight inputs (Left, Right, Aux1, Aux2, ... Aux6). A four-input mixer is associated with the left and right inputs, providing further expansion of the number of input paths. Each input source is selectable, and independent volume control is provided for left and right input mixer channels. Each DSP block supports six outputs.

The functionality of the DSP processing blocks is not fixed, and a wide range of audio enhancements algorithms may be performed. The procedure for configuring the CS47L90 DSP functions is tailored to each customer's application; please contact your Cirrus Logic representative for details.

For details of the DSP firmware requirements relating to clocking, register access, and code execution, refer to [Section 4.4.3](#).

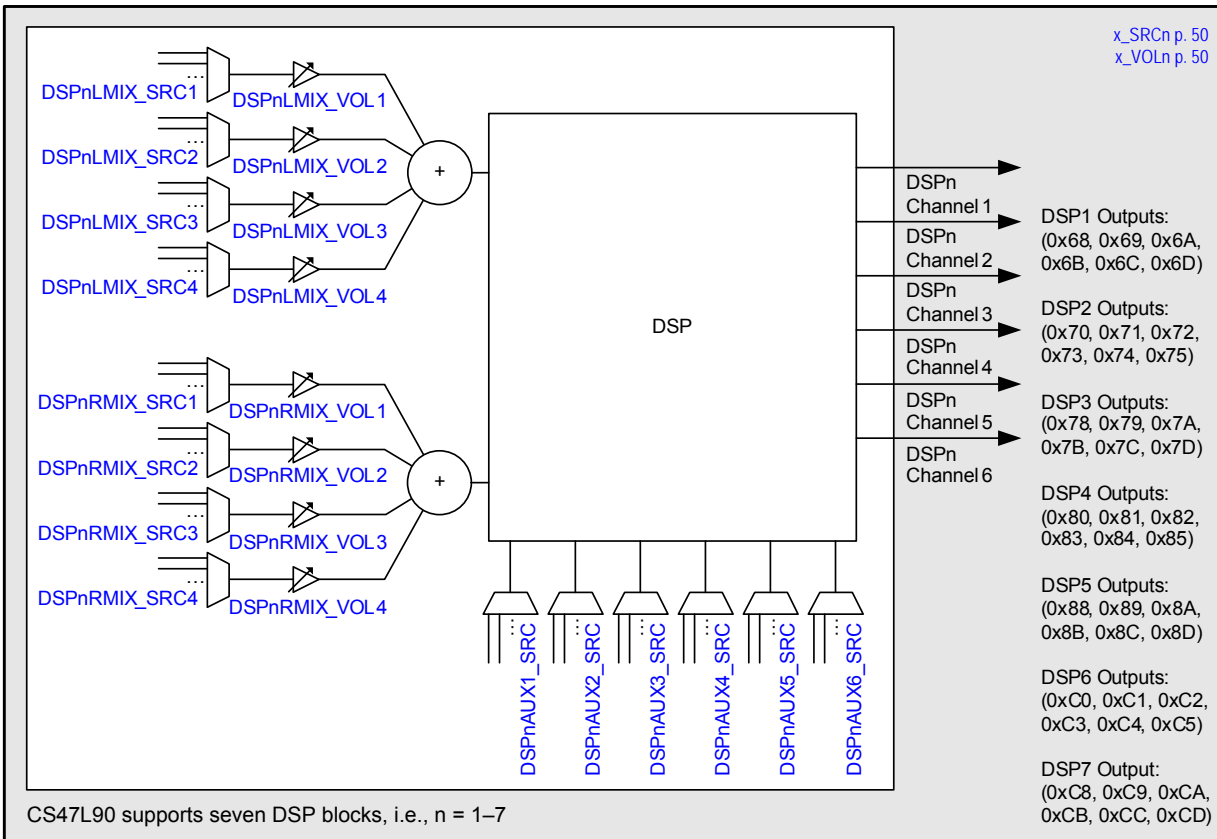


Figure 4-20. Digital-Core DSP Blocks

The DSP_n mixer input control fields (see [Fig. 4-20](#)) are located at register addresses R2368–R2680 (0x0940–0x0A78) and R3072–R3192 (0x0C00–0x0C78).

The full list of digital mixer control registers (R1600–R3576) is provided in [Section 6](#). Generic register field definitions are provided in [Table 4-11](#).

The x_SRC_n fields select the input sources for the respective DSP processing blocks. Note that the selected input sources must be configured for the same sample rate as the DSP to which they are connected. Sample-rate conversion functions are available to support flexible interconnectivity; see [Section 4.3.15](#) and [Section 4.3.16](#).

The hexadecimal numbers in [Fig. 4-20](#) indicate the corresponding x_SRC_n setting for selection of that signal as an input to another digital-core function.

The sample rate for each DSP function is configured using the respective DSP_n_RATE field; see [Table 4-26](#). Sample-rate conversion is required when routing the DSP_n signal paths to any signal chain that is asynchronous or configured for a different sample rate.

The DSP_n_RATE fields must not be changed if any of the respective x_SRC_n fields is nonzero. The associated x_SRC_n fields must be cleared before writing new values to DSP_n_RATE. A minimum delay of 125 μs must be allowed between clearing the x_SRC_n fields and writing to the associated DSP_n_RATE fields. See [Table 4-26](#) for details.

The CS47L90 performs automatic checks to confirm that the SYSCLK frequency is high enough to support the required DSP mixing functions. If the frequency is too low, an attempt to enable a DSP mixer path fails. Note that active signal paths are not affected under such circumstances.

The status bits in registers R1600–R3576 indicate the status of each digital mixer. If an underclocked error condition occurs, these bits indicate which mixers have been enabled.

4.3.8 S/PDIF Output Generator

The CS47L90 incorporates an IEC-60958-3-compatible S/PDIF output generator, as shown in Fig. 4-21; this provides a stereo S/PDIF output on a GPIO pin. The S/PDIF transmitter allows full control over the S/PDIF validity bits and channel status information.

The input sources to the S/PDIF transmitter are selectable for each channel, and independent volume control is provided for each path. The *TX1 and *TX2 fields control Channels A and B (respectively) of the S/PDIF output.

The S/PDIF signal can be output directly on a GPIO pin. See Section 4.15 to configure a GPIO pin for this function.

Note that the S/PDIF signal cannot be selected as input to the digital mixers or signal-processing functions within the CS47L90 digital core.

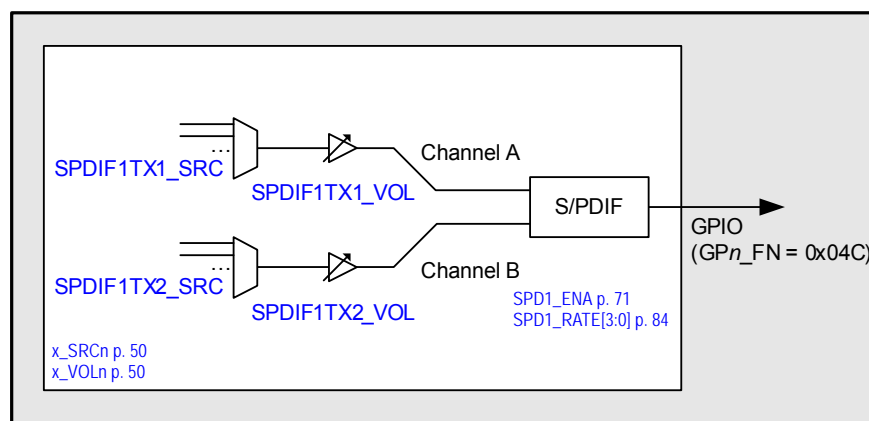


Figure 4-21. Digital-Core S/PDIF Output Generator

The S/PDIF input control fields (see Fig. 4-21) are located at register addresses R2048–R2057 (0x0800–0x0809).

The full list of digital mixer control registers (R1600–R3576) is provided in Section 6. Generic register field definitions are provided in Table 4-11.

The x_SRCn fields select the input sources for the two S/PDIF channels. Note that the selected input sources must be synchronized to the SYSCLK clocking domain, and configured for the same sample rate as the S/PDIF generator. Sample-rate conversion functions are available to support flexible interconnectivity; see Section 4.3.15 and Section 4.3.16.

The sample rate of the S/PDIF generator is configured using SPD1_RATE; see Table 4-26. The S/PDIF transmitter supports sample rates in the range 32–192 kHz. Note that sample-rate conversion is required when linking the S/PDIF generator to any signal chain that is asynchronous or configured for a different sample rate.

The SPD1_RATE field must not be changed if any of the associated x_SRCn fields is nonzero. The associated x_SRCn fields must be cleared before writing a new value to SPD1_RATE. A minimum delay of 125 μ s must be allowed between clearing the x_SRCn fields and writing to SPD1_RATE. See Table 4-26 for details.

The S/PDIF generator is enabled by setting SPD1_ENA, as described in Table 4-20.

The S/PDIF output contains audio data derived from the selected sources. Audio samples up to 24-bit width can be accommodated. The validity bits and the channel status bits in the S/PDIF data are configured using the corresponding fields in registers R1474 (0x5C2) to R1477 (0x5C5).

Refer to the S/PDIF specification (IEC60958-3 Digital Audio Interface - Consumer) for full details of the S/PDIF protocol and configuration parameters.

Table 4-20. S/PDIF Output Generator Control

Register Address	Bit	Label	Default	Description
R1474 (0x05C2)	13	SPD1_VAL2	0	S/PDIF Validity (Subframe B)
SPD1_TX_Control	12	SPD1_VAL1	0	S/PDIF Validity (Subframe A)
	0	SPD1_ENA	0	S/PDIF Generator Enable 0 = Disabled 1 = Enabled
R1475 (0x05C3)	15:8	SPD1_CATCODE[7:0]	0x00	S/PDIF Category code
SPD1_TX_Channel_Status_1	7:6	SPD1_CHSTMODE[1:0]	00	S/PDIF Channel Status mode
	5:3	SPD1_PREEMPH[2:0]	000	S/PDIF Preemphasis mode
	2	SPD1_NOCOPY	0	S/PDIF Copyright status
	1	SPD1_NOAUDIO	0	S/PDIF Audio/nonaudio indication
	0	SPD1_PRO	0	S/PDIF Consumer Mode/Professional Mode
R1476 (0x05C4)	15:12	SPD1_FREQ[3:0]	0000	S/PDIF Indicated sample frequency
SPD1_TX_Channel_Status_2	11:8	SPD1_CHNUM2[3:0]	1011	S/PDIF Channel number (Subframe B)
	7:4	SPD1_CHNUM1[3:0]	0000	S/PDIF Channel number (Subframe A)
	3:0	SPD1_SRCNUM[3:0]	0001	S/PDIF Source number
R1477 (0x05C5)	11:8	SPD1_ORGSAMP[3:0]	0000	S/PDIF Original sample frequency
SPD1_TX_Channel_Status_3	7:5	SPD1_TXWL[2:0]	000	S/PDIF Audio sample word length
	4	SPD1_MAXWL	0	S/PDIF Maximum audio sample word length
	3:2	SPD1_SC31_30[1:0]	00	S/PDIF Channel Status [31:30]
	1:0	SPD1_CLKACU[1:0]	00	Transmitted Clock accuracy

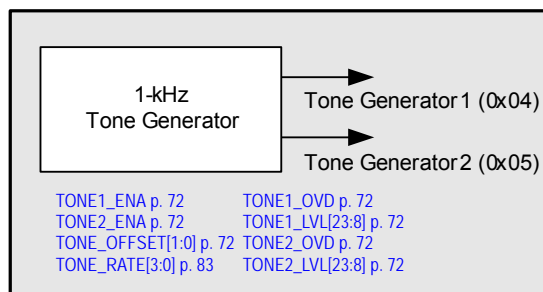
The S/PDIF output generator provides full support for 32-bit data words. Audio data samples up to 32 bits are supported on the AIF1, AIF3, and SLIMbus input channels, which can be routed to the S/PDIF output. Note that other signal paths and signal-processing blocks within the digital core are limited to 24-bit data length; data samples are truncated to 24-bit length if they are routed through any function that does not support 32-bit data words.

The CS47L90 automatically checks to confirm whether the SYSCLK frequency is high enough to support the digital mixer paths. If an attempt is made to enable the S/PDIF generator, and there are insufficient SYSCLK cycles to support it, the attempt does not succeed. Note that any active signal paths are unaffected under such circumstances.

The status bits in registers R1600–R3576 indicate the status of each digital mixer. If an underclocked error condition occurs, these bits indicate which mixers have been enabled.

4.3.9 Tone Generator

The CS47L90 incorporates a tone generator that can be used for beep functions through any of the audio signal paths. The tone generator provides two 1-kHz outputs, with configurable phase relationship, offering flexibility to create differential signals or test scenarios.


Figure 4-22. Digital-Core Tone Generator

The tone generator outputs can be selected as input to any of the digital mixers or signal-processing functions within the CS47L90 digital core. The hexadecimal numbers in Fig. 4-22 indicate the corresponding x_SRCn setting for selection of that signal as an input to another digital-core function.

The sample rate for the tone generator is configured using TONE_RATE. See [Table 4-26](#). Note that sample-rate conversion is required when routing the tone generator outputs to any signal chain that is asynchronous or configured for a different sample rate.

The tone generator outputs are enabled by setting the TONE1_ENA and TONE2_ENA bits as described in [Table 4-21](#). The phase relationship is configured using TONE_OFFSET.

The tone generator outputs can also provide a configurable DC signal level, for use as a test signal. The DC output is selected using the TONE_n_OVD bits, and the DC signal amplitude is configured using the TONE_n_LVL fields, as described in [Table 4-21](#).

Table 4-21. Tone Generator Control

Register Address	Bit	Label	Default	Description
R32 (0x0020) Tone_Generator_1	9:8	TONE_OFFSET[1:0]	00	Tone Generator Phase Offset. Sets the phase of Tone Generator 2 relative to Tone Generator 1 00 = 0° (in phase) 01 = 90° ahead 10 = 180° ahead 11 = 270° ahead
	5	TONE2_OVD	0	Tone Generator 2 Override 0 = Disabled (1-kHz tone output) 1 = Enabled (DC signal output) The DC signal level, when selected, is configured using TONE2_LVL[23:0]
	4	TONE1_OVD	0	Tone Generator 1 Override 0 = Disabled (1-kHz tone output) 1 = Enabled (DC signal output) The DC signal level, when selected, is configured using TONE1_LVL[23:0]
	1	TONE2_ENA	0	Tone Generator 2 Enable 0 = Disabled 1 = Enabled
	0	TONE1_ENA	0	Tone Generator 1 Enable 0 = Disabled 1 = Enabled
R33 (0x0021) Tone_Generator_2	15:0	TONE1_LVL[23:8]	0x1000	Tone Generator 1 DC output level TONE1_LVL[23:8] is coded as 2's complement. Bits [23:20] contain the integer portion; bits [19:0] contain the fractional portion. The digital core 0 dBFS level corresponds to 0x10_0000 (+1) or 0xF0_0000 (-1).
R34 (0x0022) Tone_Generator_3	7:0	TONE1_LVL[7:0]	0x00	Tone Generator 1 DC output level TONE1_LVL[23:8] is coded as 2's complement. Bits [23:20] contain the integer portion; bits [19:0] contain the fractional portion. The digital core 0 dBFS level corresponds to 0x10_0000 (+1) or 0xF0_0000 (-1).
R35 (0x0023) Tone_Generator_4	15:0	TONE2_LVL[23:8]	0x1000	Tone Generator 2 DC output level TONE2_LVL[23:8] is coded as 2's complement. Bits [23:20] contain the integer portion; bits [19:0] contain the fractional portion. The digital core 0 dBFS level corresponds to 0x10_0000 (+1) or 0xF0_0000 (-1).
R36 (0x0024) Tone_Generator_5	7:0	TONE2_LVL[7:0]	0x00	Tone Generator 2 DC output level TONE2_LVL[23:8] is coded as 2's complement. Bits [23:20] contain the integer portion; bits [19:0] contain the fractional portion. The digital core 0 dBFS level corresponds to 0x10_0000 (+1) or 0xF0_0000 (-1).

4.3.10 Noise Generator

The CS47L90 incorporates a white-noise generator that can be routed within the digital core. The main purpose of the noise generator is to provide comfort noise in cases where silence (digital mute) is not desirable.

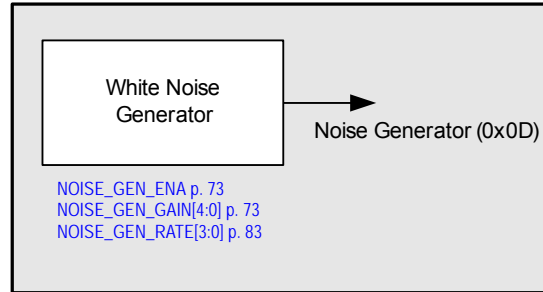


Figure 4-23. Digital-Core Noise Generator

The noise generator can be selected as input to any of the digital mixers or signal-processing functions within the CS47L90 digital core. The hexadecimal number (0x0D) in [Fig. 4-23](#) indicates the corresponding `x_SRCn` setting for selection of the noise generator as an input to another digital-core function.

The sample rate for the noise generator is configured using `NOISE_GEN_RATE`. See [Table 4-26](#). Note that sample-rate conversion is required when routing the noise generator output to any signal chain that is asynchronous or configured for a different sample rate.

The noise generator is enabled by setting `NOISE_GEN_ENA`, described in [Table 4-22](#). The signal level is configured using `NOISE_GEN_GAIN`.

Table 4-22. Noise Generator Control

Register Address	Bit	Label	Default	Description
R160 (0x00A0) Comfort_Noise_Generator	5	NOISE_GEN_ENA	0	Noise Generator Enable 0 = Disabled 1 = Enabled
	4:0	NOISE_GEN_GAIN[4:0]	0x00	Noise generator signal level 0x00 = -114 dBFS ... (6-dB steps) All other codes are reserved 0x01 = -108 dBFS 0x11 = -6 dBFS 0x02 = -102 dBFS 0x12 = 0 dBFS

4.3.11 Haptic Signal Generator

The CS47L90 incorporates a signal generator for use with haptic devices (e.g., mechanical vibration actuators). The haptic signal generator is compatible with both eccentric rotating mass (ERM) and linear resonant actuator (LRA) haptic devices.

The haptic signal generator is highly configurable, and includes the capability to execute a programmable event profile comprising three distinct operating phases.

The resonant frequency of the haptic signal output (for LRA devices) is selectable, providing support for many different actuator components.

The haptic signal generator is a digital signal generator, which is incorporated within the digital core of the CS47L90. In a typical use case the haptic signal may be routed, via one of the digital-core output mixers, to the digital PDM output. An external amplifier can be used to drive the haptic device, as shown in [Fig. 4-24](#).

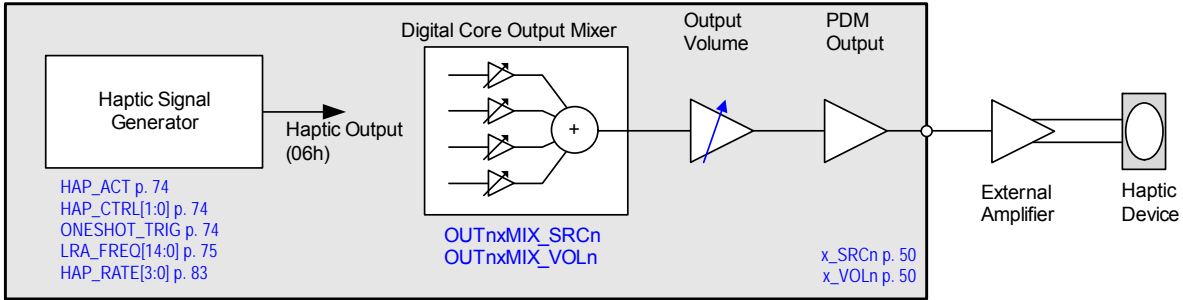


Figure 4-24. Digital-Core Haptic Signal Generator

The hexadecimal number (0x06) in Fig. 4-24 indicates the corresponding x_SRCn setting for selection of the haptic signal generator as an input to another digital-core function.

The haptic signal generator is selected as input to one of the digital-core output mixers by setting the x_SRCn field of the applicable output mixer to 0x06.

The sample rate for the haptic signal generator is configured using the HAP_RATE field. See Table 4-26. Note that sample-rate conversion is required when routing the haptic signal generator output to any signal chain that is asynchronous or configured for a different sample rate.

The haptic signal generator is configured for an ERM or LRA actuator using the HAP_ACT bit. The required resonant frequency is configured using the LRA_FREQ field. Note that the resonant frequency is only applicable to LRA actuators.

The signal generator can be enabled in continuous mode or configured for one-shot mode using the HAP_CTRL field, as described in Table 4-23. In one-shot mode, the output is triggered by writing to the ONESHOT_TRIG bit.

In one-shot mode, the signal generator profile comprises the distinct phases (1, 2, 3). The duration and intensity of each output phase is programmable.

In continuous mode, the signal intensity is controlled using the PHASE2_INTENSITY field only.

In the case of an ERM actuator (HAP_ACT = 0), the haptic output is a DC signal level, which may be positive or negative, as selected by the $x_INTENSITY$ fields.

For an LRA actuator (HAP_ACT = 1), the haptic output is an AC signal; selecting a negative signal level corresponds to a 180° phase inversion. In some applications, phase inversion may be desirable during the final phase, to halt the physical motion of the haptic device.

Table 4-23. Haptic Signal Generator Control

Register Address	Bit	Label	Default	Description
R144 (0x0090) Haptics_Control_1	4	ONESHOT_TRIG	0	Haptic One-Shot Trigger. Writing 1 starts the one-shot profile (i.e., Phase 1, Phase 2, Phase 3)
	3:2	HAP_CTRL[1:0]	00	Haptic Signal Generator Control 00 = Disabled 10 = One-Shot 01 = Continuous 11 = Reserved
	1	HAP_ACT	0	Haptic Actuator Select 0 = Eccentric rotating mass (ERM) 1 = Linear resonant actuator (LRA)

Table 4-23. Haptic Signal Generator Control (Cont.)

Register Address	Bit	Label	Default	Description
R145 (0x0091) Haptics_Control_2	14:0	LRA_FREQ[14:0]	0x7FFF	Haptic Resonant Frequency. Selects the haptic signal frequency (LRA actuator only, HAP_ACT = 1) Haptic Frequency (Hz) = System Clock/(2 x (LRA_FREQ+1)), where System Clock = 6.144 MHz or 5.6448 MHz, derived by division from SYSCLK or ASYNCCLK. If HAP_RATE < 1000, SYSCLK is the clock source, and the applicable System Clock frequency is determined by SYSCLK. If HAP_RATE ≥ 1000, ASYNCCLK is the clock source, and the applicable System Clock frequency is determined by ASYNCCLK. Valid for haptic frequency in the range 100–250 Hz For 6.144-MHz System Clock: For 5.6448-MHz System Clock: 0x77FF = 100 Hz 0x6E3F = 100 Hz 0x4491 = 175 Hz 0x3EFF = 175 Hz 0x2FFF = 250 Hz 0x2C18 = 250 Hz
R146 (0x0092) Haptics_phase_1_intensity	7:0	PHASE1_INTENSITY[7:0]	0x00	Haptic Output Level (Phase 1). Selects the signal intensity of Phase 1 in one-shot mode. Coded as 2's complement. Range is ± Full Scale (FS). For ERM actuator, this selects the DC signal level for the haptic output. For LRA actuator, this selects the AC peak amplitude; negative values correspond to a 180° phase shift.
R147 (0x0093) Haptics_Control_phase_1_duration	8:0	PHASE1_DURATION[8:0]	0x000	Haptic Output Duration (Phase 1). Selects the duration of Phase 1 in one-shot mode. 0x000 = 0 ms 0x001 = 0.625 ms 0x002 = 1.25 ms ... (0.625-ms steps) 0x1FF = 319.375 ms
R148 (0x0094) Haptics_phase_2_intensity	7:0	PHASE2_INTENSITY[7:0]	0x00	Haptic Output Level (Phase 2) Selects the signal intensity in Continuous mode or Phase 2 of one-shot mode. Coded as 2's complement. Range is ± Full Scale (FS). For ERM actuator, this selects the DC signal level for the haptic output. For LRA actuator, this selects the AC peak amplitude; Negative values correspond to a 180° phase shift.
R149 (0x0095) Haptics_phase_2_duration	10:0	PHASE2_DURATION[10:0]	0x000	Haptic Output Duration (Phase 2). Selects the duration of Phase 2 in one-shot mode. 0x000 = 0 ms 0x002 = 1.25 ms 0x7FF = 1279.375 ms 0x001 = 0.625 ms ... (0.625-ms steps)
R150 (0x0096) Haptics_phase_3_intensity	7:0	PHASE3_INTENSITY[7:0]	0x00	Haptic Output Level (Phase 3). Selects the signal intensity of Phase 3 in one-shot mode. Coded as 2's complement. Range is ± Full Scale (FS). For ERM actuator, this selects the DC signal level for the haptic output. For LRA actuator, this selects the AC peak amplitude; Negative values correspond to a 180° phase shift.
R151 (0x0097) Haptics_phase_3_duration	8:0	PHASE3_DURATION[8:0]	0x000	Haptic Output Duration (Phase 3). Selects the duration of Phase 3 in one-shot mode. 0x000 = 0 ms 0x002 = 1.25 ms 0x1FF = 319.375 ms 0x001 = 0.625 ms ... (0.625-ms steps)
R152 (0x0098) Haptics_Status	0	ONESHOT_STS	0	Haptic One-Shot status 0 = One-Shot event not in progress 1 = One-Shot event in progress

4.3.12 PWM Generator

The CS47L90 incorporates two PWM signal generators as shown in [Fig. 4-25](#). The duty cycle of each PWM signal can be modulated by an audio source, or can be set to a fixed value using a control register setting.

A four-input mixer is associated with each PWM generator. The four input sources are selectable in each case, and independent volume control is provided for each path.

PWM signal generators can be output directly on a GPIO pin. See [Section 4.15](#) to configure a GPIO pin for this function.

Note that the PWM signal generators cannot be selected as input to the digital mixers or signal-processing functions within the CS47L90 digital core.

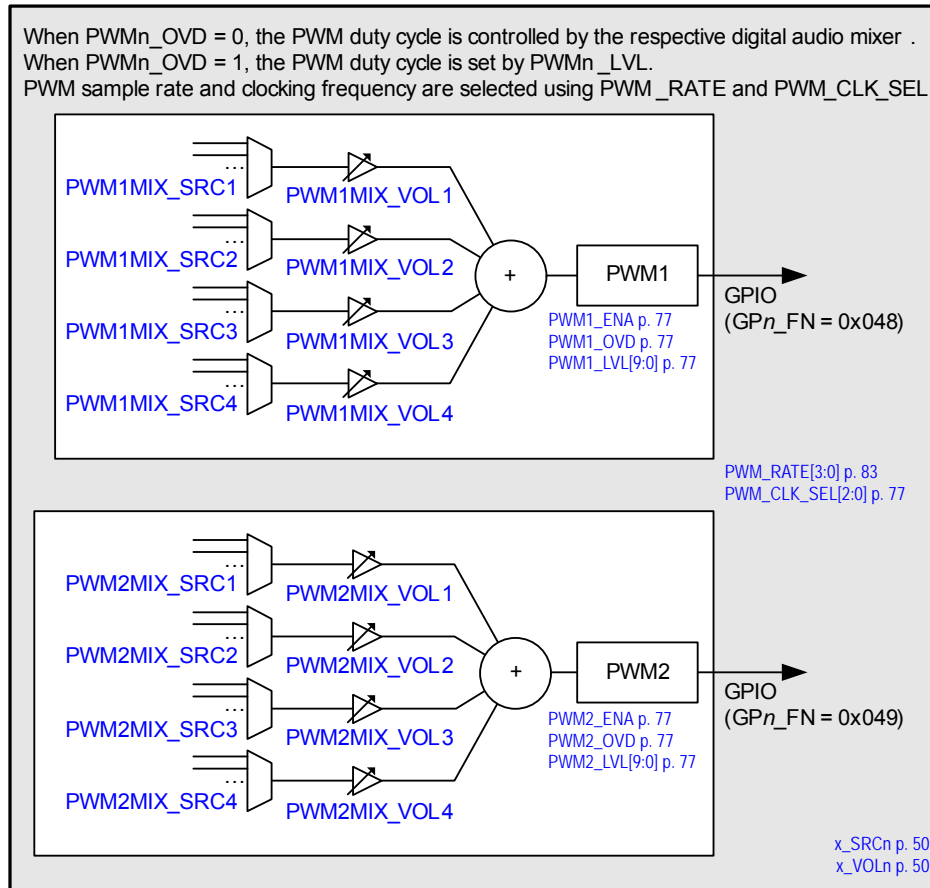


Figure 4-25. Digital-Core PWM Generator

The PWM1 and PWM2 mixer control fields (see Fig. 4-25) are located at register addresses R1600–R1615 (0x0640–0x064F).

The full list of digital mixer control registers (R1600–R3576) is provided in Section 6. Generic register field definitions are provided in Table 4-11.

The x_SRC_n fields select the input sources for the respective mixers. Note that the selected input sources must be configured for the same sample rate as the mixer to which they are connected. Sample-rate conversion functions are available to support flexible interconnectivity; see Section 4.3.15 and Section 4.3.16.

The PWM sample rate (cycle time) is configured using PWM_RATE. See Table 4-26. Note that sample-rate conversion is required when linking the PWM generators to any signal chain that is asynchronous or configured for a different sample rate.

The PWM_RATE field must not be changed if any of the associated x_SRC_n fields is nonzero. The associated x_SRC_n fields must be cleared before writing a new value to PWM_RATE. A minimum delay of 125 μs must be allowed between clearing the x_SRC_n fields and writing to PWM_RATE. See Table 4-26 for details.

The PWM generators are enabled by setting PWM1_ENA and PWM2_ENA, respectively, as described in Table 4-24.

Under default conditions (PWM_n_OVD = 0), the duty cycle of the PWM generators is controlled by an audio signal path; a 4-input mixer is associated with each PWM generator, as shown in Fig. 4-25.

When the PWM_n_OVD bit is set, the duty cycle of the respective PWM generator is set to a fixed ratio; in this case, the duty cycle ratio is configurable using the PWM_n_LVL fields.

The PWM generator clock frequency is selected using PWM_CLK_SEL. For best performance, the highest available setting should be used. Note that the PWM generator clock must not be set to a higher frequency than SYSCLK (if PWM_RATE < 1000) or ASYNCCLK (if PWM_RATE ≥ 1000).

Table 4-24. PWM Generator Control

Register Address	Bit	Label	Default	Description
R48 (0x0030) PWM_Drive_1	10:8	PWM_CLK_SEL[2:0]	000	PWM Clock Select 000 = 6.144 MHz (5.6448 MHz) 001 = 12.288 MHz (11.2896 MHz) 010 = 24.576 MHz (22.5792 MHz) All other codes are reserved. The frequencies in brackets apply for 44.1 kHz–related sample rates only. PWM_CLK_SEL controls the resolution of the PWM generator; higher settings correspond to higher resolution. The PWM Clock must be less than or equal to SYSCLK (if PWM_RATE < 1000) or less than or equal to ASYNCCLK (if PWM_RATE ≥ 1000).
	5	PWM2_OVD	0	PWM2 Generator Override 0 = Disabled (PWM duty cycle is controlled by audio source) 1 = Enabled (PWM duty cycle is controlled by PWM2_LVL).
	4	PWM1_OVD	0	PWM1 Generator Override 0 = Disabled (PWM1 duty cycle is controlled by audio source) 1 = Enabled (PWM1 duty cycle is controlled by PWM1_LVL).
	1	PWM2_ENA	0	PWM2 Generator Enable 0 = Disabled 1 = Enabled
	0	PWM1_ENA	0	PWM1 Generator Enable 0 = Disabled 1 = Enabled
R49 (0x0031) PWM_Drive_2	9:0	PWM1_LVL[9:0]	0x100	PWM1 Override Level. Sets the PWM1 duty cycle when PWM1_OVD = 1. Coded as 2's complement. 0x000 = 50% duty cycle 0x200 = 0% duty cycle
R50 (0x0032) PWM_Drive_3	9:0	PWM2_LVL[9:0]	0x100	PWM2 Override Level. Sets the PWM2 duty cycle when PWM2_OVD = 1. Coded as 2's complement. 0x000 = 50% duty cycle 0x200 = 0% duty cycle

The CS47L90 automatically checks to confirm that the SYSCLK frequency is high enough to support the digital mixer paths. If an attempt is made to enable a PWM signal mixer path, without sufficient SYSCLK cycles to support it, the attempt fails. Note that any signal paths that are already active are not affected under such circumstances.

The status bits in registers R1600–R3576 indicate the status of each digital mixer. If an underclocked error condition occurs, these bits indicate which mixers have been enabled.

4.3.13 Data Format Conversion

The digital mixing and signal-processing functions on the CS47L90 are designed to route audio data in signed fixed point format. Data format converter (DFC) blocks are incorporated in the digital core, with the capability to convert audio data between signed, unsigned, and floating-point formats. The DFCs enable the flexibility to support many different interface standards on the input and output signal paths. They can also be used to apply dithering to digital audio data.

The digital core provides eight DFC blocks as shown in [Fig. 4-26](#). Each DFC supports one input and one output path only.

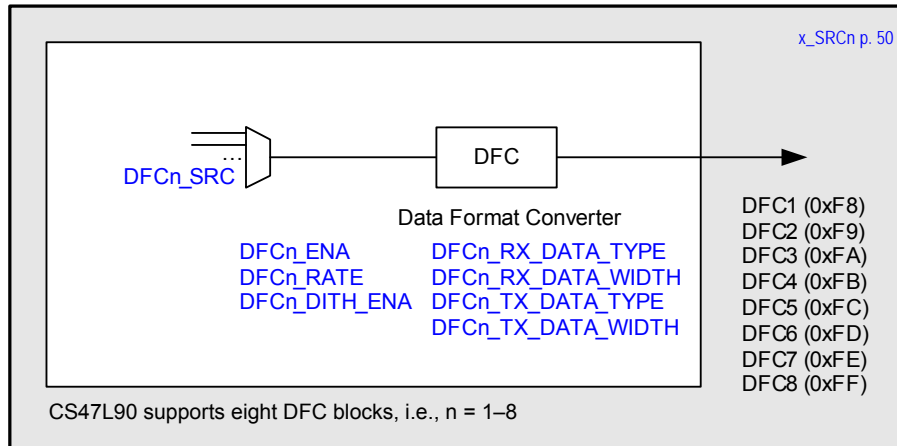


Figure 4-26. Digital-Core DFC Blocks

The DFC1–DFC8 input control fields (see [Fig. 4-26](#)) are located at register addresses R3520–R3576 (0x0DC0–0x0DF8).

The full list of digital-mixer control registers (R1600–R3576) is provided in [Section 6](#). Generic register field definitions are provided in [Table 4-11](#).

The x_SRCn fields select the input sources for the respective DFCs. Note that the selected input sources must be configured for the same sample rate as the DFC to which they are connected. Sample-rate conversion functions are available to support flexible interconnectivity; see [Section 4.3.15](#) and [Section 4.3.16](#).

The hexadecimal numbers in [Fig. 4-26](#) indicate the corresponding x_SRCn setting for selection of that signal as an input to another digital-core function.

The sample rate for each converter $DFCn$ is configured using the respective $DFCn_RATE$ field; see [Table 4-26](#). Note that sample-rate conversion is required when routing the DFC paths to any signal chain that is asynchronous or configured for a different sample rate.

The $DFCn_RATE$ fields must not be changed if the associated x_SRCn field is nonzero. The associated x_SRCn field must be cleared before writing a new value to $DFCn_RATE$. A minimum delay of 125 μ s must be allowed between clearing the x_SRCn field and writing to the associated $DFCn_RATE$ field. See [Table 4-26](#) for details.

The DFC is enabled by setting $DFCn_ENA$.

The input data format is configured using the $DFCn_RX_DATA_TYPE$ and $DFCn_RX_DATA_WIDTH$ fields. Valid data types are signed fixed point, unsigned fixed point, and three different floating point configurations. If a fixed point data type is selected, the data width (number of data bits) is selected using $DFCn_RX_DATA_WIDTH$.

The DFC input can be any of the digital core inputs or signal processing blocks. If the input data type is unsigned or floating point format, one of the AIF or SLIMbus RX channels must be selected as the DFC input source—unsigned and floating point data types are not valid selections with any other source within the digital core.

The output data format is configured using the $DFCn_TX_DATA_TYPE$ and $DFCn_TX_DATA_WIDTH$ fields. Valid data types are signed fixed point, or unsigned fixed point. The data width (number of data bits) is selected using $DFCn_TX_DATA_WIDTH$.

The DFC output can be selected as input to any of the digital mixers or signal-processing functions within the CS47L90 digital core. If the DFC output data type is unsigned fixed point format, it must be routed directly to the AIF or SLIMbus TX channels using the respective digital-core output mixers—unsigned fixed point data is not valid as input to any other digital core functions.

Note: If unsigned data is routed from a DFC output to an AIF or SLIMbus TX channel, the DFC must be the only enabled signal path in the respective output mixer, and the associated volume selection must be 0 dB.

The DFC can apply dithering to its output data; this is enabled by setting $DFCn_DITH_ENA$.

The dither function can be used to improve the noise characteristics of signals routed in the digital core. Dithering is particularly recommended if truncating audio data (e.g., from 32- to 24-bit format) as it converts the truncation/quantization errors into benign background noise.

The control registers associated with the DFCs are described in [Table 4-25](#).

Table 4-25. Digital-Core DFC Control

Register Address	Bit	Label	Default	Description
R5248 (0x1480) DFC1_CTRL_W0	1	DFCn_DITH_ENA	0	DFCn dither enable (valid for fixed point output data only) 0 = Disabled 1 = Enabled
R5254 (0x1486) DFC2_CTRL_W0	0	DFCn_ENA	0	DFCn enable 0 = Disabled 1 = Enabled
R5260 (0x148C) DFC3_CTRL_W0				
R5266 (0x1492) DFC4_CTRL_W0				
R5272 (0x1498) DFC5_CTRL_W0				
R5278 (0x149E) DFC6_CTRL_W0				
R5284 (0x14A4) DFC7_CTRL_W0				
R5290 (0x14AA) DFC8_CTRL_W0				
R5250 (0x1482) DFC1_RX_W0	12:8	DFCn_RX_DATA_WIDTH[4:0]	0x1F	DFCn input data width (valid for fixed point data types only) 0x00 to 0x06 = Reserved 0x09 = 10 bits 0x07 = 8 bits ... 0x08 = 9 bits 0x1F = 32 bits
R5256 (0x1488) DFC2_RX_W0				
R5262 (0x148E) DFC3_RX_W0	2:0	DFCn_RX_DATA_TYPE[2:0]	000	DFCn input data type 000 = Signed, fixed point 001 = Unsigned, fixed point 010 = Single-precision floating point (binary32) 100 = Half-precision floating point (binary16) 101 = ARM-alternative half-precision floating point All other codes are reserved.
R5268 (0x1494) DFC4_RX_W0				
R5274 (0x149A) DFC5_RX_W0				
R5280 (0x14A0) DFC6_RX_W0				
R5286 (0x14A6) DFC7_RX_W0				
R5292 (0x14AC) DFC8_RX_W0				
R5252 (0x1488) DFC1_TX_W0	12:8	DFCn_TX_DATA_WIDTH[4:0]	0x1F	DFCn output data width (valid for fixed point data types only) 0x00 to 0x06 = Reserved 0x09 = 10 bits 0x07 = 8 bits ... 0x08 = 9 bits 0x1F = 32 bits
R5258 (0x148A) DFC2_TX_W0				
R5264 (0x1490) DFC3_TX_W0	2:0	DFCn_TX_DATA_TYPE[2:0]	000	DFCn output data type 000 = Signed, fixed point 001 = Unsigned, fixed point All other codes are reserved.
R5270 (0x1494) DFC4_TX_W0				
R5276 (0x149C) DFC5_TX_W0				
R5282 (0x14A2) DFC6_TX_W0				
R5288 (0x14A8) DFC7_TX_W0				
R5294 (0x14AE) DFC8_TX_W0				

The CS47L90 automatically checks to confirm whether the SYSCLK frequency is high enough to support the commanded DFC and digital mixing functions. If an attempt is made to enable DFC signal path, and there are insufficient SYSCLK cycles to support it, the attempt does not succeed. Note that any signal paths that are already active are not affected under such circumstances.

The status bits in registers R1600–R3576 indicate the status of each digital mixer. If an underclocked error condition occurs, these bits indicate which mixers have been enabled.

4.3.14 Sample-Rate Control

The CS47L90 supports multiple signal paths through the digital core. Stereo full-duplex sample-rate conversion is provided to allow digital audio to be routed between interfaces operating at different sample rates and/or referenced to asynchronous clock domains.

Two independent clock domains are supported for the audio signal paths, referenced to SYSCLK and ASYNCCLK respectively, as described in [Section 4.17](#). Every digital signal path must be synchronized either to SYSCLK or to ASYNCCLK.

Up to five different sample rates may be in use at any time on the CS47L90. Three of these sample rates must be synchronized to SYSCLK; the remaining two, where required, must be synchronized to ASYNCCLK.

Sample-rate conversion is required when routing any audio path between digital functions that are asynchronous or configured for different sample rates.

There are two asynchronous sample-rate converters (ASRCs). Each ASRC supports two-way stereo conversion paths between the SYSCLK and ASYNCCLK domains. The ASRCs are described in [Section 4.3.15](#).

There are four isochronous sample-rate converters (ISRCs). ISRC1 and ISRC2 support two-way, four-channel conversion paths between sample rates on the SYSCLK domain, or between sample rates on the ASYNCCLK domain. ISRC3 and ISRC4 provide similar functionality for up to two channels each. The ISRCs are described in [Section 4.3.16](#).

The sample rate of different blocks within the CS47L90 digital core are controlled as shown in [Fig. 4-27](#). The x_RATE fields select the applicable sample rate for each respective group of digital functions.

The x_RATE fields must not be changed if any of the x_SRCn fields associated with the respective functions is nonzero. The associated x_SRCn fields must be cleared before writing new values to the x_RATE fields. A minimum delay of 125 μ s must be allowed between clearing the x_SRCn fields and writing to the associated x_RATE fields. See [Table 4-26](#) for details.

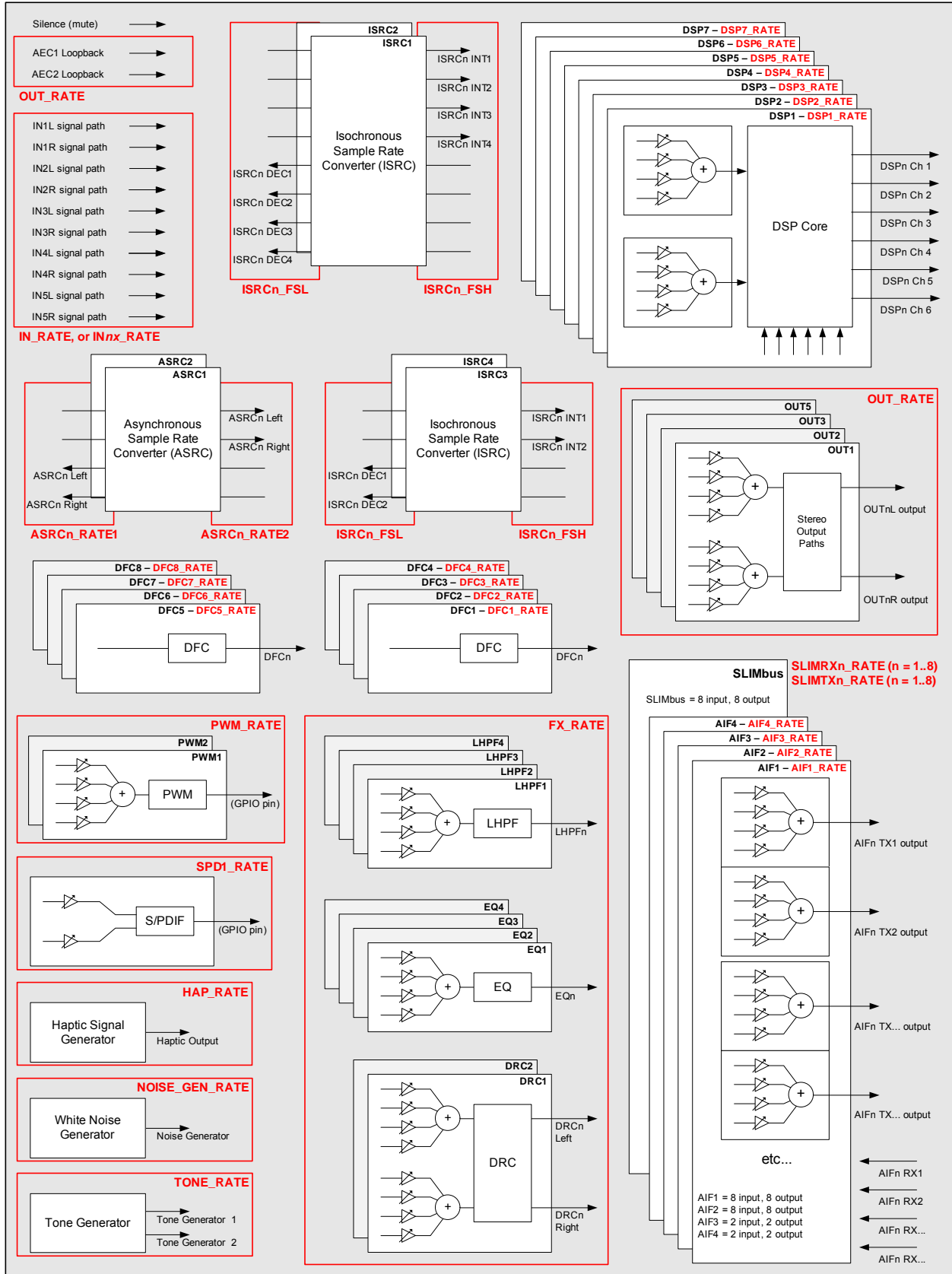


Figure 4-27. Digital-Core Sample-Rate Control

The input signal paths may be selected as input to the digital mixers or signal-processing functions. The sample rate for the input signal paths can either be set globally (using IN_RATE), or can be configured independently for each input channel (using the respective IN_{*n*}_RATE fields). The applicable mode depends on IN_RATE_MODE, as described in [Table 4-3](#).

The output signal paths are derived from the respective output mixers. The sample rate for the output signal paths is configured using OUT_RATE. The sample rate of the AEC loop-back path is also set by OUT_RATE.

The AIF_{*n*} RX inputs may be selected as input to the digital mixers or signal-processing functions. The AIF_{*n*} TX outputs are derived from the respective output mixers. The sample rates for digital audio interfaces (AIF1–AIF4) are configured using the AIF_{*n*}_RATE fields (where *n* identifies the applicable AIF 1, 2, 3, or 4) respectively.

The SLIMbus interface supports up to eight input channels and eight output channels. The sample rate of each channel can be configured independently, using SLIMTX_{*n*}_RATE and SLIMRX_{*n*}_RATE.

Note that the SLIMbus interface provides simultaneous support for SYSCLK-referenced and ASYNCCLK-referenced sample rates on different channels. For example, 48-kHz and 44.1-kHz SLIMbus audio paths can be simultaneously supported.

The EQ, DRC, and LHPF functions can be enabled in any signal path within the digital core. The sample rate for these functions is configured using FX_RATE. Note that the EQ, DRC, and LHPF functions must all be configured for the same sample rate.

The DSP_{*n*} functions can be enabled in any signal path within the digital core. The applicable sample rates are configured using the DSP_{*n*}_RATE fields (where *n* identifies the applicable DSP block, 1 through 7) respectively.

The S/PDIF transmitter can be enabled on a GPIO pin. Stereo inputs to this function can be configured from any of the digital-core inputs, mixers, or signal-processing functions. The sample rate of the S/PDIF transmitter is configured using SPD1_RATE.

The tone generator and noise generator can be selected as input to any of the digital mixers or signal-processing functions. The sample rates for these sources are configured using the TONE_RATE and NOISE_GEN_RATE fields, respectively.

The haptic signal generator can be used to control an external vibrate actuator. In a typical use case the haptic signal may be routed, via one of the digital-core output mixers, to the digital PDM output (OUT5). The sample rate for the haptic signal generator is configured using HAP_RATE.

The PWM signal generators can be modulated by an audio source, derived from the associated signal mixers. The sample rate (cycle time) for the PWM signal generators is configured using PWM_RATE.

The DFC_{*n*} blocks can be enabled in signal paths within the digital core. The applicable sample rates are configured using the DFC_{*n*}_RATE fields (where *n* identifies the applicable DFC block).

The sample-rate control registers are described in [Table 4-26](#). Refer to the field descriptions for details of the valid selections in each case—note that the input (ADC) and output (DAC) signal paths must always be associated with the SYSCLK clocking domain; different sample rates may be selected concurrently, but both these rates must be synchronized to SYSCLK.

The control registers associated with the ASRCs and ISRCs are described in [Table 4-27](#) and [Table 4-28](#).

Note that 32-bit register addressing is used from R12888 (0x3000) upwards; 16-bit format is used otherwise. The registers noted in [Table 4-26](#) contain a mixture of 16-bit and 32-bit register addresses.

Table 4-26. Digital-Core Sample-Rate Control

Register Address	Bit	Label	Default	Description
R32 (0x0020) Tone_Generator_1	14:11	TONE_RATE[3:0]	0000	Tone Generator Sample Rate 0000 = SAMPLE_RATE_1 0001 = SAMPLE_RATE_2 0010 = SAMPLE_RATE_3 1000 = ASYNC_SAMPLE_RATE_1 1001 = ASYNC_SAMPLE_RATE_2 All other codes are reserved. The selected sample rate is valid in the range 8–192 kHz.
R48 (0x0030) PWM_Drive_1	14:11	PWM_RATE[3:0]	0000	PWM Frequency (sample rate) 0000 = SAMPLE_RATE_1 0001 = SAMPLE_RATE_2 0010 = SAMPLE_RATE_3 1000 = ASYNC_SAMPLE_RATE_1 1001 = ASYNC_SAMPLE_RATE_2 All other codes are reserved. The selected sample rate is valid in the range 8–192 kHz. All PWMnMIX_SRCm fields must be cleared before changing PWM_RATE.
R144 (0x0090) Haptics_Control_1	14:11	HAP_RATE[3:0]	0000	Haptic Signal Generator Sample Rate 0000 = SAMPLE_RATE_1 0001 = SAMPLE_RATE_2 0010 = SAMPLE_RATE_3 1000 = ASYNC_SAMPLE_RATE_1 1001 = ASYNC_SAMPLE_RATE_2 All other codes are reserved. The selected sample rate is valid in the range 8–192 kHz.
R160 (0x00A0) Comfort_Noise_Generator	14:11	NOISE_GEN_RATE[3:0]	0000	Noise Generator Sample Rate 0000 = SAMPLE_RATE_1 0001 = SAMPLE_RATE_2 0010 = SAMPLE_RATE_3 1000 = ASYNC_SAMPLE_RATE_1 1001 = ASYNC_SAMPLE_RATE_2 All other codes are reserved. The selected sample rate is valid in the range 8–192 kHz.
R776 (0x0308) Input_Rate	14:11	IN_RATE[3:0]	0000	Input Signal Paths Sample Rate (only valid if IN_RATE_MODE = 0) 0000 = SAMPLE_RATE_1 0001 = SAMPLE_RATE_2 0010 = SAMPLE_RATE_3 All other codes are reserved. The selected sample rate is valid in the range 8–192 kHz. If 384 kHz/768 kHz DMIC rate is selected on any of the input paths (INn_OSR = 01X), the input paths sample rate is valid up to 48 kHz/96 kHz respectively.

Table 4-26. Digital-Core Sample-Rate Control (Cont.)

Register Address	Bit	Label	Default	Description
R787 (0x0313) IN1L_Rate_ Control	14:11	IN1L_RATE[3:0]	0000	Input Path <i>n</i> (Left/Right) Sample Rate (only valid if IN_RATE_MODE = 1) 0000 = SAMPLE_RATE_1 0001 = SAMPLE_RATE_2 0010 = SAMPLE_RATE_3 All other codes are reserved. The selected sample rate is valid in the range 8–192 kHz. If 384 kHz/768 kHz DMIC rate is selected (IN _{<i>n</i>} _OSR = 01X), the IN _{<i>n</i>} L/IN _{<i>n</i>} R sample rate is valid up to 48 kHz/96 kHz respectively.
R791 (0x0317) IN1R_Rate_ Control	14:11	IN1R_RATE[3:0]	0000	
R795 (0x031B) IN2L_Rate_ Control	14:11	IN2L_RATE[3:0]	0000	
R799 (0x031F) IN2R_Rate_ Control	14:11	IN2R_RATE[3:0]	0000	
R803 (0x0323) IN3L_Rate_ Control	14:11	IN3L_RATE[3:0]	0000	
R807 (0x0327) IN3R_Rate_ Control	14:11	IN3R_RATE[3:0]	0000	
R811 (0x032B) IN4L_Rate_ Control	14:11	IN4L_RATE[3:0]	0000	
R815 (0x032F) IN4R_Rate_ Control	14:11	IN4R_RATE[3:0]	0000	
R819 (0x0333) IN5L_Rate_ Control	14:11	IN5L_RATE[3:0]	0000	
R823 (0x0337) IN5R_Rate_ Control	14:11	IN5R_RATE[3:0]	0000	
R1032 (0x0408) Output_Rate_1	14:11	OUT_RATE[3:0]	0000	Output Signal Paths Sample Rate 0000 = SAMPLE_RATE_1 0001 = SAMPLE_RATE_2 0010 = SAMPLE_RATE_3 All other codes are reserved. The selected sample rate is valid in the range 8–192 kHz. All OUT _{<i>n</i>} MIX_SRC _{<i>m</i>} fields must be cleared before changing OUT_RATE.
R1283 (0x0503) AIF1_Rate_Ctrl	14:11	AIF1_RATE[3:0]	0000	AIF _{<i>n</i>} Audio Interface Sample Rate 0000 = SAMPLE_RATE_1 0001 = SAMPLE_RATE_2 0010 = SAMPLE_RATE_3 1000 = ASYNC_SAMPLE_RATE_1 1001 = ASYNC_SAMPLE_RATE_2 All other codes are reserved. The selected sample rate is valid in the range 8–192 kHz. All AIF _{<i>n</i>} TXMIX_SRC _{<i>m</i>} fields must be cleared before changing AIF _{<i>n</i>} _RATE.
R1347 (0x0543) AIF2_Rate_Ctrl	14:11	AIF2_RATE[3:0]	0000	
R1411 (0x0583) AIF3_Rate_Ctrl	14:11	AIF3_RATE[3:0]	0000	
R1443 (0x05A3) AIF4_Rate_Ctrl	14:11	AIF4_RATE[3:0]	0000	
R1474 (0x05C2) SPD1_TX_Control	7:4	SPD1_RATE[3:0]	0000	S/PDIF Transmitter Sample Rate 0000 = SAMPLE_RATE_1 0001 = SAMPLE_RATE_2 0010 = SAMPLE_RATE_3 All other codes are reserved. The selected sample rate is valid in the range 32–192 kHz. All SPDIF1TX _{<i>n</i>} _SRC fields must be cleared before changing SPD1_RATE.

Table 4-26. Digital-Core Sample-Rate Control (Cont.)

Register Address	Bit	Label	Default	Description
R1509 (0x05E5) SLIMbus_Rates_1	14:11	SLIMRX2_RATE[3:0]	0000	SLIMbus RX Channel <i>n</i> Sample Rate 0000 = SAMPLE_RATE_1 0001 = SAMPLE_RATE_2 0010 = SAMPLE_RATE_3 1000 = ASYNC_SAMPLE_RATE_1 1001 = ASYNC_SAMPLE_RATE_2 All other codes are reserved. The selected sample rate is valid in the range 8–192 kHz.
	6:3	SLIMRX1_RATE[3:0]	0000	
R1510 (0x05E6) SLIMbus_Rates_2	14:11	SLIMRX4_RATE[3:0]	0000	
	6:3	SLIMRX3_RATE[3:0]	0000	
R1511 (0x05E7) SLIMbus_Rates_3	14:11	SLIMRX6_RATE[3:0]	0000	
	6:3	SLIMRX5_RATE[3:0]	0000	
R1512 (0x05E8) SLIMbus_Rates_4	14:11	SLIMRX8_RATE[3:0]	0000	
	6:3	SLIMRX7_RATE[3:0]	0000	
R1513 (0x05E9) SLIMbus_Rates_5	14:11	SLIMTX2_RATE[3:0]	0000	SLIMbus TX Channel <i>n</i> Sample Rate 0000 = SAMPLE_RATE_1 0001 = SAMPLE_RATE_2 0010 = SAMPLE_RATE_3 1000 = ASYNC_SAMPLE_RATE_1 1001 = ASYNC_SAMPLE_RATE_2 All other codes are reserved. The selected sample rate is valid in the range 8–192 kHz. All SLIMTX <i>n</i> MIX_SRC <i>m</i> fields must be cleared before changing SLIMTX <i>n</i> _RATE.
	6:3	SLIMTX1_RATE[3:0]	0000	
R1514 (0x05EA) SLIMbus_Rates_6	14:11	SLIMTX4_RATE[3:0]	0000	
	6:3	SLIMTX3_RATE[3:0]	0000	
R1515 (0x05EB) SLIMbus_Rates_7	14:11	SLIMTX6_RATE[3:0]	0000	
	6:3	SLIMTX5_RATE[3:0]	0000	
R1516 (0x05EC) SLIMbus_Rates_8	14:11	SLIMTX8_RATE[3:0]	0000	
	6:3	SLIMTX7_RATE[3:0]	0000	
R3584 (0x0E00) FX_Ctrl1	14:11	FX_RATE[3:0]	0000	FX Sample Rate (EQ, LHPF, DRC) 0000 = SAMPLE_RATE_1 0001 = SAMPLE_RATE_2 0010 = SAMPLE_RATE_3 1000 = ASYNC_SAMPLE_RATE_1 1001 = ASYNC_SAMPLE_RATE_2 All other codes are reserved. The selected sample rate is valid in the range 8–192 kHz. All EQ <i>n</i> MIX_SRC <i>m</i> , DRC <i>n</i> MIX_SRC <i>m</i> , and LHPF <i>n</i> MIX_SRC <i>m</i> fields must be cleared before changing FX_RATE.
R5248 (0x1480) DFC1_CTRL_W0	5:2	DFC1_RATE[3:0]	0000	DFC <i>n</i> Sample Rate 0000 = SAMPLE_RATE_1 0001 = SAMPLE_RATE_2 0010 = SAMPLE_RATE_3 1000 = ASYNC_SAMPLE_RATE_1 1001 = ASYNC_SAMPLE_RATE_2 All other codes are reserved. The selected sample rate is valid in the range 8–192 kHz. The DFC <i>n</i> _SRC field must be cleared before changing DFC <i>n</i> _RATE.
R5254 (0x1486) DFC2_CTRL_W0	5:2	DFC2_RATE[3:0]	0000	
R5260 (0x148C) DFC3_CTRL_W0	5:2	DFC3_RATE[3:0]	0000	
R5266 (0x1492) DFC4_CTRL_W0	5:2	DFC4_RATE[3:0]	0000	
R5272 (0x1498) DFC5_CTRL_W0	5:2	DFC5_RATE[3:0]	0000	
R5278 (0x149E) DFC6_CTRL_W0	5:2	DFC6_RATE[3:0]	0000	
R5284 (0x14A4) DFC7_CTRL_W0	5:2	DFC7_RATE[3:0]	0000	
R5290 (0x14AA) DFC8_CTRL_W0	5:2	DFC8_RATE[3:0]	0000	

Table 4-26. Digital-Core Sample-Rate Control (Cont.)

Register Address	Bit	Label	Default	Description
R1048064 (0xF_ FE0) DSP1_Config_1	14:11	DSP1_RATE[3:0]	0000	DSP _n Sample Rate 0000 = SAMPLE_RATE_1 0001 = SAMPLE_RATE_2 0010 = SAMPLE_RATE_3 1000 = ASYNC_SAMPLE_RATE_1 1001 = ASYNC_SAMPLE_RATE_2 All other codes are reserved. The selected sample rate is valid in the range 8–192 kHz. All DSP _n MIX_SRC _m fields must be cleared before changing DSP _n _RATE.
R1572352 (0x17_ FE0) DSP2_Config_1	14:11	DSP2_RATE[3:0]	0000	
R2096640 (0x1F_ FE0) DSP3_Config_1	14:11	DSP3_RATE[3:0]	0000	
R2620928 (0x27_ FE0) DSP4_Config_1	14:11	DSP4_RATE[3:0]	0000	
R3145216 (0x2F_ FE0) DSP5_Config_1	14:11	DSP5_RATE[3:0]	0000	
R3669504 (0x37_ FE0) DSP6_Config_1	14:11	DSP6_RATE[3:0]	0000	
R4193792 (0x3F_ FE0) DSP7_Config_1	14:11	DSP7_RATE[3:0]	0000	

4.3.15 Asynchronous Sample-Rate Converter (ASRC)

The CS47L90 supports multiple signal paths through the digital core. Two independent clock domains are supported for the audio signal paths, referenced to SYSCLK and ASYNCCLK respectively, as described in [Section 4.17](#). Every digital signal path must be synchronized either to SYSCLK or to ASYNCCLK.

There are two ASRCs. Each provides two stereo signal paths between the SYSCLK and ASYNCCLK domains, as shown in [Fig. 4-28](#).

- The sample rate on the SYSCLK domain is selected using the ASRC_n_RATE1 fields; the rate can be set equal to SAMPLE_RATE_1, SAMPLE_RATE_2, or SAMPLE_RATE_3.
- The sample rate on the ASYNCCLK domain is selected using the ASRC_n_RATE2 fields; the rate can be set equal to ASYNC_SAMPLE_RATE_1 or ASYNC_SAMPLE_RATE_2.

See [Section 4.17](#) for details of the sample-rate control registers.

Each ASRC supports sample rates from 8–192 kHz. For each ASRC, the ratio of the applicable SAMPLE_RATE__n and ASYNC_SAMPLE_RATE__n fields must not exceed 6.

The ASRC_n_RATE1 and ASRC_n_RATE2 fields must not be changed if any of the respective x_SRC_n fields is nonzero. The associated x_SRC_n fields must be cleared before writing new values to ASRC_n_RATE1 or ASRC_n_RATE2. A minimum delay of 125 μs must be allowed between clearing the x_SRC_n fields and writing to the associated ASRC_n_RATE1 or ASRC_n_RATE2 fields. See [Table 4-27](#) for details.

The ASRC signal paths are enabled using the ASRC_n_IN_m_ENA bits, as follows:

- The ASRC_n IN1 (left and right) paths convert from the SYSCLK domain to the ASYNCCLK domain. These paths are enabled by setting the ASRC_n_IN1L_ENA and ASRC_n_IN1R_ENA bits, respectively.
- The ASRC_n IN2 (left and right) paths convert from the ASYNCCLK domain to the SYSCLK domain. These paths are enabled by setting the ASRC_n_IN2L_ENA and ASRC_n_IN2R_ENA bits, respectively.

Synchronization (lock) between different clock domains is not instantaneous when the clocking or sample rate configurations are updated. The lock status of each ASRC path is an input to the interrupt control circuit and can be used to trigger an interrupt event; see [Section 4.16](#).

The ASRC lock status of each ASRC path can be output directly on a GPIO pin as an external indication of ASRC lock. See [Section 4.15](#) to configure a GPIO pin for this function.

The CS47L90 performs automatic checks to confirm that the SYSCLK or ASYNCCLK frequency is high enough to support the commanded ASRC and digital mixing functions. If the frequency is too low, an attempt to enable an ASRC signal path fails. Note that active signal paths are not affected under such circumstances.

The status bits in register R3809 indicate the status of each ASRC signal path. If an underclocked error condition occurs, these bits indicate which ASRC signal paths have been enabled.

The status bits in registers R1600–R3576 indicate the status of each digital mixer. If an underclocked error condition occurs, these bits indicate which mixers have been enabled.

The ASRC signal paths and control registers are shown in Fig. 4-28.

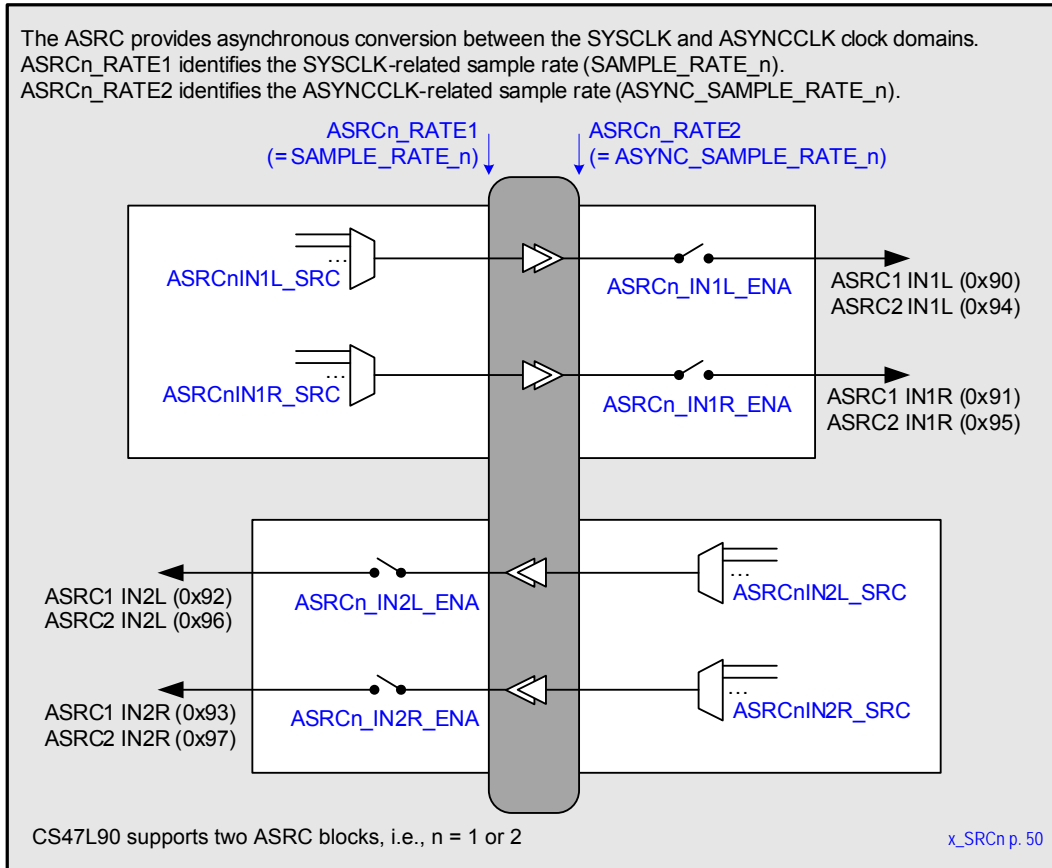


Figure 4-28. Asynchronous Sample-Rate Converters (ASRCs)

The ASRC1 and ASRC2 input control fields (see Fig. 4-28) are located at register addresses R2688–R2744 (0x0A80–0x0AB8).

The full list of digital mixer control registers (R1600–R3576) is provided in Section 6. Generic register field definitions are provided in Table 4-11.

The x_SRC_n fields select the input sources for the respective ASRC processing blocks. Note that the selected input sources must be configured for the same sample rate as the ASRC to which they are connected.

The hexadecimal numbers in Fig. 4-28 indicate the corresponding x_SRC_n setting for selection of that signal as an input to another digital-core function.

The fields associated with the ASRCs are described in Table 4-27.

Table 4-27. Digital-Core ASRC Control

Register Address	Bit	Label	Default	Description
R3792 (0x0ED0) ASRC2_ENABLE	3	ASRC2_IN2L_ENA	0	ASRC2 IN2 (left) enable (Left ASRC2 channel from ASYNCCLK domain to SYSCLK domain) 0 = Disabled 1 = Enabled
	2	ASRC2_IN2R_ENA	0	ASRC2 IN2 (right) enable (Right ASRC2 channel from ASYNCCLK domain to SYSCLK domain) 0 = Disabled 1 = Enabled
	1	ASRC2_IN1L_ENA	0	ASRC2 IN1 (left) enable (Left ASRC2 channel from SYSCLK domain to ASYNCCLK domain) 0 = Disabled 1 = Enabled
	0	ASRC2_IN1R_ENA	0	ASRC2 IN1 (right) enable (Right ASRC2 channel from SYSCLK domain to ASYNCCLK domain) 0 = Disabled 1 = Enabled
R3793 (0x0ED1) ASRC2_STATUS	3	ASRC2_IN2L_ENA_STS	0	ASRC2 IN2 (left) enable status (Left ASRC2 channel from ASYNCCLK domain to SYSCLK domain) 0 = Disabled 1 = Enabled
	2	ASRC2_IN2R_ENA_STS	0	ASRC2 IN2 (right) enable status (Right ASRC2 channel from ASYNCCLK domain to SYSCLK domain) 0 = Disabled 1 = Enabled
	1	ASRC2_IN1L_ENA_STS	0	ASRC2 IN1 (left) enable status (Left ASRC2 channel from SYSCLK domain to ASYNCCLK domain) 0 = Disabled 1 = Enabled
	0	ASRC2_IN1R_ENA_STS	0	ASRC2 IN1 (right) enable status (Right ASRC2 channel from SYSCLK domain to ASYNCCLK domain) 0 = Disabled 1 = Enabled
R3794 (0x0ED2) ASRC2_RATE1	14:11	ASRC2_RATE1[3:0]	0000	ASRC2 Sample Rate select for SYSCLK domain 0000 = SAMPLE_RATE_1 0001 = SAMPLE_RATE_2 0010 = SAMPLE_RATE_3 All other codes are reserved. The selected sample rate is valid in the range 8–192 kHz. All ASRC2_IN1x_SRC fields must be cleared before changing ASRC2_RATE1.
R3795 (0x0ED3) ASRC2_RATE2	14:11	ASRC2_RATE2[3:0]	1000	ASRC2 Sample Rate select for ASYNCCLK domain 1000 = ASYNC_SAMPLE_RATE_1 1001 = ASYNC_SAMPLE_RATE_2 All other codes are reserved. The selected sample rate is valid in the range 8–192 kHz. All ASRC2_IN2x_SRC fields must be cleared before changing ASRC2_RATE2.

Table 4-27. Digital-Core ASRC Control (Cont.)

Register Address	Bit	Label	Default	Description
R3808 (0x0EE0) ASRC1_ENABLE	3	ASRC1_IN2L_ENA	0	ASRC1 IN2 (left) enable (Left ASRC1 channel from ASYNCCLK domain to SYSCLK domain) 0 = Disabled 1 = Enabled
	2	ASRC1_IN2R_ENA	0	ASRC1 IN2 (right) enable (Right ASRC1 channel from ASYNCCLK domain to SYSCLK domain) 0 = Disabled 1 = Enabled
	1	ASRC1_IN1L_ENA	0	ASRC1 IN1 (left) enable (Left ASRC1 channel from SYSCLK domain to ASYNCCLK domain) 0 = Disabled 1 = Enabled
	0	ASRC1_IN1R_ENA	0	ASRC1 IN1 (right) enable (Right ASRC1 channel from SYSCLK domain to ASYNCCLK domain) 0 = Disabled 1 = Enabled
R3809 (0x0EE1) ASRC1_STATUS	3	ASRC1_IN2L_ENA_STS	0	ASRC1 IN2 (left) enable status (Left ASRC1 channel from ASYNCCLK domain to SYSCLK domain) 0 = Disabled 1 = Enabled
	2	ASRC1_IN2R_ENA_STS	0	ASRC1 IN2 (right) enable status (Right ASRC1 channel from ASYNCCLK domain to SYSCLK domain) 0 = Disabled 1 = Enabled
	1	ASRC1_IN1L_ENA_STS	0	ASRC1 IN1 (left) enable status (Left ASRC1 channel from SYSCLK domain to ASYNCCLK domain) 0 = Disabled 1 = Enabled
	0	ASRC1_IN1R_ENA_STS	0	ASRC1 IN1 (right) enable status (Right ASRC1 channel from SYSCLK domain to ASYNCCLK domain) 0 = Disabled 1 = Enabled
R3810 (0x0EE2) ASRC1_RATE1	14:11	ASRC1_RATE1[3:0]	0000	ASRC1 Sample Rate select for SYSCLK domain 0000 = SAMPLE_RATE_1 0001 = SAMPLE_RATE_2 0010 = SAMPLE_RATE_3 All other codes are reserved. The selected sample rate is valid in the range 8–192 kHz. All ASRC1_IN1x_SRC fields must be cleared before changing ASRC1_RATE1.
R3811 (0x0EE3) ASRC1_RATE2	14:11	ASRC1_RATE2[3:0]	1000	ASRC1 Sample Rate select for ASYNCCLK domain 1000 = ASYNC_SAMPLE_RATE_1 1001 = ASYNC_SAMPLE_RATE_2 All other codes are reserved. The selected sample rate is valid in the range 8–192 kHz. All ASRC1_IN1x_SRC fields must be cleared before changing ASRC1_RATE1.

4.3.16 Isochronous Sample-Rate Converter (ISRC)

The CS47L90 supports multiple signal paths through the digital core. The ISRCs provide sample-rate conversion between synchronized sample rates on the SYSCLK clock domain, or between synchronized sample rates on the ASYNCCLK clock domain.

There are four ISRCs on the CS47L90. ISRC1 and ISRC2 provide four signal paths between two different sample rates; ISRC3 and ISRC4 provide two signal paths between two different sample rates, as shown in [Fig. 4-29](#).

The sample rates associated with each ISRC can be set independently. Note that the two sample rates associated with any single ISRC must both be referenced to the same clock domain (SYSCLK or ASYNCCLK).

- When an ISRC is used on the SYSCLK domain, the associated sample rates may be selected from SAMPLE_RATE_1, SAMPLE_RATE_2, or SAMPLE_RATE_3.
- When an ISRC is used on the ASYNCCLK domain, the associated sample rates are ASYNC_SAMPLE_RATE_1 and ASYNC_SAMPLE_RATE_2.

See [Section 4.17](#) for details of the sample-rate control registers.

Each ISRC supports sample rates in the range 8–192 kHz. The higher of the sample rates associated with each ISRC must be an integer multiple of the lower sample rate; all possible integer ratios are supported (i.e., up to 24).

Each ISRC converts between a sample rate selected by ISRC n _FSL and a sample rate selected by ISRC n _FSH, (where n identifies the applicable ISRC 1, 2, 3, or 4). Note that, in each case, the higher of the two sample rates must be selected by ISRC n _FSH.

The ISRC n _FSL and ISRC n _FSH fields must not be changed if any of the respective x_SRCn fields is nonzero. The associated x_SRCn fields must be cleared before writing new values to ISRC n _FSL or ISRC n _FSH. A minimum delay of 125 μ s must be allowed between clearing the x_SRCn fields and writing to the associated ISRC n _FSL or ISRC n _FSH fields. See [Table 4-28](#) for details.

The ISRC signal paths are enabled using the ISRC n _INT m _ENA and ISRC n _DEC m _ENA bits, as follows:

- The ISRC n interpolation paths (increasing sample rate) are enabled by setting the ISRC n _INT m _ENA bits, (where m identifies the applicable channel).
- The ISRC n decimation paths (decreasing sample rate) are enabled by setting the ISRC n _DEC m _ENA bits.

The CS47L90 performs automatic checks to confirm that the SYSCLK or ASYNCCLK frequency is high enough to support the commanded ISRC and digital mixing functions. If the frequency is too low, an attempt to enable an ISRC signal path fails. Note that active signal paths are not affected under such circumstances.

The status bits in registers R1600–R3576 indicate the status of each digital mixer. If an underclocked error condition occurs, these bits indicate which mixers have been enabled.

The ISRC signal paths and control registers are shown in [Fig. 4-29](#).

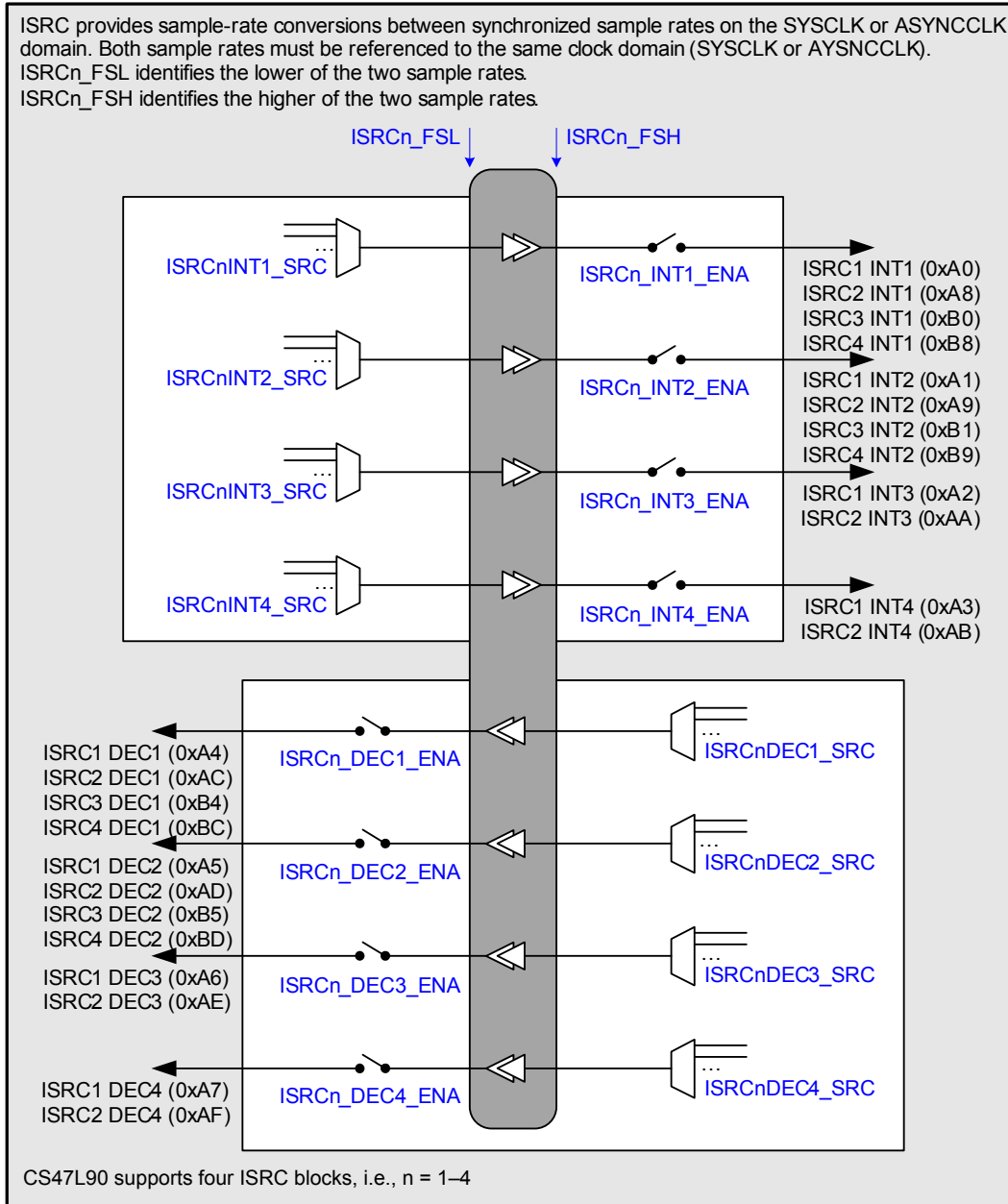


Figure 4-29. Isochronous Sample-Rate Converters (ISRCs)

The ISRC input control fields (see Fig. 4-29) are located at register addresses R2816–R3015 (0x0B00–0x0BC7).

The full list of digital mixer control registers (R1600–R3576) is provided in Section 6. Generic register field definitions are provided in Table 4-11.

The x_SRC fields select the input sources for the respective ISRC processing blocks. Note that the selected input sources must be configured for the same sample rate as the ISRC to which they are connected.

The hexadecimal numbers in Fig. 4-29 indicate the corresponding x_SRC setting for selection of that signal as an input to another digital-core function.

The fields associated with the ISRCs are described in Table 4-28.

Table 4-28. Digital-Core ISRC Control

Register Address	Bit	Label	Default	Description
R3824 (0x0EF0) ISRC1_CTRL_1	14:11	ISRC1_FSH[3:0]	0000	ISRC1 High Sample Rate (Sets the higher of the ISRC1 sample rates) 0000 = SAMPLE_RATE_1 0001 = SAMPLE_RATE_2 0010 = SAMPLE_RATE_3 1000 = ASYNC_SAMPLE_RATE_1 1001 = ASYNC_SAMPLE_RATE_2 All other codes are reserved. The selected sample rate is valid in the range 8–192 kHz. The ISRC1_FSH and ISRC1_FSL fields must both select sample rates referenced to the same clock domain (SYSCLK or ASYNCCLK). All ISRC1_DEC _n _SRC fields must be cleared before changing ISRC1_FSH.
R3825 (0x0EF1) ISRC1_CTRL_2	14:11	ISRC1_FSL[3:0]	0000	ISRC1 Low Sample Rate (Sets the lower of the ISRC1 sample rates) 0000 = SAMPLE_RATE_1 0001 = SAMPLE_RATE_2 0010 = SAMPLE_RATE_3 1000 = ASYNC_SAMPLE_RATE_1 1001 = ASYNC_SAMPLE_RATE_2 All other codes are reserved. The selected sample rate is valid in the range 8–192 kHz. The ISRC1_FSH and ISRC1_FSL fields must both select sample rates referenced to the same clock domain (SYSCLK or ASYNCCLK). All ISRC1_INT _n _SRC fields must be cleared before changing ISRC1_FSL.
R3826 (0x0EF2) ISRC1_CTRL_3	15	ISRC1_INT1_ENA	0	ISRC1 INT1 Enable (Interpolation Channel 1 path from ISRC1_FSL rate to ISRC1_FSH rate) 0 = Disabled 1 = Enabled
	14	ISRC1_INT2_ENA	0	ISRC1 INT2 Enable (Interpolation Channel 2 path from ISRC1_FSL rate to ISRC1_FSH rate) 0 = Disabled 1 = Enabled
	13	ISRC1_INT3_ENA	0	ISRC1 INT3 Enable (Interpolation Channel 3 path from ISRC1_FSL rate to ISRC1_FSH rate) 0 = Disabled 1 = Enabled
	12	ISRC1_INT4_ENA	0	ISRC1 INT4 Enable (Interpolation Channel 4 path from ISRC1_FSL rate to ISRC1_FSH rate) 0 = Disabled 1 = Enabled
	9	ISRC1_DEC1_ENA	0	ISRC1 DEC1 Enable (Decimation Channel 1 path from ISRC1_FSH rate to ISRC1_FSL rate) 0 = Disabled 1 = Enabled
	8	ISRC1_DEC2_ENA	0	ISRC1 DEC2 Enable (Decimation Channel 2 path from ISRC1_FSH rate to ISRC1_FSL rate) 0 = Disabled 1 = Enabled
	7	ISRC1_DEC3_ENA	0	ISRC1 DEC3 Enable (Decimation Channel 3 path from ISRC1_FSH rate to ISRC1_FSL rate) 0 = Disabled 1 = Enabled
	6	ISRC1_DEC4_ENA	0	ISRC1 DEC4 Enable (Decimation Channel 4 path from ISRC1_FSH rate to ISRC1_FSL rate) 0 = Disabled 1 = Enabled

Table 4-28. Digital-Core ISRC Control (Cont.)

Register Address	Bit	Label	Default	Description
R3827 (0x0EF3) ISRC2_CTRL_1	14:11	ISRC2_FSH[3:0]	0000	ISRC2 High Sample Rate (Sets the higher of the ISRC2 sample rates) 0000 = SAMPLE_RATE_1 0001 = SAMPLE_RATE_2 0010 = SAMPLE_RATE_3 1000 = ASYNC_SAMPLE_RATE_1 1001 = ASYNC_SAMPLE_RATE_2 All other codes are reserved. The selected sample rate is valid in the range 8–192 kHz. The ISRC2_FSH and ISRC2_FSL fields must both select sample rates referenced to the same clock domain (SYSCLK or ASYNCCLK). All ISRC2_DEC _n _SRC fields must be cleared before changing ISRC2_FSH.
R3828 (0x0EF4) ISRC2_CTRL_2	14:11	ISRC2_FSL[3:0]	0000	ISRC2 Low Sample Rate (Sets the lower of the ISRC2 sample rates) 0000 = SAMPLE_RATE_1 0001 = SAMPLE_RATE_2 0010 = SAMPLE_RATE_3 1000 = ASYNC_SAMPLE_RATE_1 1001 = ASYNC_SAMPLE_RATE_2 All other codes are reserved. The selected sample rate is valid in the range 8–192 kHz. The ISRC2_FSH and ISRC2_FSL fields must both select sample rates referenced to the same clock domain (SYSCLK or ASYNCCLK). All ISRC2_INT _n _SRC fields must be cleared before changing ISRC2_FSL.
R3829 (0x0EF5) ISRC2_CTRL_3	15	ISRC2_INT1_ENA	0	ISRC2 INT1 Enable (Interpolation Channel 1 path from ISRC2_FSL rate to ISRC2_FSH rate) 0 = Disabled 1 = Enabled
	14	ISRC2_INT2_ENA	0	ISRC2 INT2 Enable (Interpolation Channel 2 path from ISRC2_FSL rate to ISRC2_FSH rate) 0 = Disabled 1 = Enabled
	13	ISRC2_INT3_ENA	0	ISRC2 INT3 Enable (Interpolation Channel 3 path from ISRC2_FSL rate to ISRC2_FSH rate) 0 = Disabled 1 = Enabled
	12	ISRC2_INT4_ENA	0	ISRC2 INT4 Enable (Interpolation Channel 4 path from ISRC2_FSL rate to ISRC2_FSH rate) 0 = Disabled 1 = Enabled
	9	ISRC2_DEC1_ENA	0	ISRC2 DEC1 Enable (Decimation Channel 1 path from ISRC2_FSH rate to ISRC2_FSL rate) 0 = Disabled 1 = Enabled
	8	ISRC2_DEC2_ENA	0	ISRC2 DEC2 Enable (Decimation Channel 2 path from ISRC2_FSH rate to ISRC2_FSL rate) 0 = Disabled 1 = Enabled
	7	ISRC2_DEC3_ENA	0	ISRC2 DEC3 Enable (Decimation Channel 3 path from ISRC2_FSH rate to ISRC2_FSL rate) 0 = Disabled 1 = Enabled
	6	ISRC2_DEC4_ENA	0	ISRC2 DEC4 Enable (Decimation Channel 4 path from ISRC2_FSH rate to ISRC2_FSL rate) 0 = Disabled 1 = Enabled

Table 4-28. Digital-Core ISRC Control (Cont.)

Register Address	Bit	Label	Default	Description
R3830 (0x0EF6) ISRC3_CTRL_1	14:11	ISRC3_FSH[3:0]	0000	<p>ISRC3 High Sample Rate (Sets the higher of the ISRC3 sample rates)</p> <p>0000 = SAMPLE_RATE_1 0001 = SAMPLE_RATE_2 0010 = SAMPLE_RATE_3 1000 = ASYNC_SAMPLE_RATE_1 1001 = ASYNC_SAMPLE_RATE_2</p> <p>All other codes are reserved.</p> <p>The selected sample rate is valid in the range 8–192 kHz.</p> <p>The ISRC3_FSH and ISRC3_FSL fields must both select sample rates referenced to the same clock domain (SYSCLK or ASYNCCLK).</p> <p>All ISRC3_DEC_n_SRC fields must be cleared before changing ISRC3_FSH.</p>
R3831 (0x0EF7) ISRC3_CTRL_2	14:11	ISRC3_FSL[3:0]	0000	<p>ISRC3 Low Sample Rate (Sets the lower of the ISRC3 sample rates)</p> <p>0000 = SAMPLE_RATE_1 0001 = SAMPLE_RATE_2 0010 = SAMPLE_RATE_3 1000 = ASYNC_SAMPLE_RATE_1 1001 = ASYNC_SAMPLE_RATE_2</p> <p>All other codes are reserved.</p> <p>The selected sample rate is valid in the range 8–192 kHz.</p> <p>The ISRC3_FSH and ISRC3_FSL fields must both select sample rates referenced to the same clock domain (SYSCLK or ASYNCCLK).</p> <p>All ISRC3_INT_n_SRC fields must be cleared before changing ISRC3_FSL.</p>
R3832 (0x0EF8) ISRC3_CTRL_3	15	ISRC3_INT1_ENA	0	<p>ISRC3 INT1 Enable (Interpolation Channel 1 path from ISRC3_FSL rate to ISRC3_FSH rate)</p> <p>0 = Disabled 1 = Enabled</p>
	14	ISRC3_INT2_ENA	0	<p>ISRC3 INT2 Enable (Interpolation Channel 2 path from ISRC3_FSL rate to ISRC3_FSH rate)</p> <p>0 = Disabled 1 = Enabled</p>
	9	ISRC3_DEC1_ENA	0	<p>ISRC3 DEC1 Enable (Decimation Channel 1 path from ISRC3_FSH rate to ISRC3_FSL rate)</p> <p>0 = Disabled 1 = Enabled</p>
	8	ISRC3_DEC2_ENA	0	<p>ISRC3 DEC2 Enable (Decimation Channel 2 path from ISRC3_FSH rate to ISRC3_FSL rate)</p> <p>0 = Disabled 1 = Enabled</p>
R3833 (0x0EF9) ISRC4_CTRL_1	14:11	ISRC4_FSH[3:0]	0000	<p>ISRC4 High Sample Rate (Sets the higher of the ISRC4 sample rates)</p> <p>0000 = SAMPLE_RATE_1 0001 = SAMPLE_RATE_2 0010 = SAMPLE_RATE_3 1000 = ASYNC_SAMPLE_RATE_1 1001 = ASYNC_SAMPLE_RATE_2</p> <p>All other codes are reserved.</p> <p>The selected sample rate is valid in the range 8–192 kHz.</p> <p>The ISRC4_FSH and ISRC4_FSL fields must both select sample rates referenced to the same clock domain (SYSCLK or ASYNCCLK).</p> <p>All ISRC4_DEC_n_SRC fields must be cleared before changing ISRC4_FSH.</p>

Table 4-28. Digital-Core ISRC Control (Cont.)

Register Address	Bit	Label	Default	Description
R3834 (0x0EFA) ISRC4_CTRL_2	14:11	ISRC4_FSL[3:0]	0000	ISRC4 Low Sample Rate (Sets the lower of the ISRC4 sample rates) 0000 = SAMPLE_RATE_1 0001 = SAMPLE_RATE_2 0010 = SAMPLE_RATE_3 1000 = ASYNC_SAMPLE_RATE_1 1001 = ASYNC_SAMPLE_RATE_2 All other codes are reserved. The selected sample rate is valid in the range 8–192 kHz. The ISRC4_FSH and ISRC4_FSL fields must both select sample rates referenced to the same clock domain (SYSCLK or ASYNCCLK). All ISRC4_INT _n _SRC fields must be cleared before changing ISRC4_FSL.
R3835 (0x0EFB) ISRC4_CTRL_3	15	ISRC4_INT1_ENA	0	ISRC4 INT1 Enable (Interpolation Channel 1 path from ISRC4_FSL rate to ISRC4_FSH rate) 0 = Disabled 1 = Enabled
	14	ISRC4_INT2_ENA	0	ISRC4 INT2 Enable (Interpolation Channel 2 path from ISRC4_FSL rate to ISRC4_FSH rate) 0 = Disabled 1 = Enabled
	9	ISRC4_DEC1_ENA	0	ISRC4 DEC1 Enable (Decimation Channel 1 path from ISRC4_FSH rate to ISRC4_FSL rate) 0 = Disabled 1 = Enabled
	8	ISRC4_DEC2_ENA	0	ISRC4 DEC2 Enable (Decimation Channel 2 path from ISRC4_FSH rate to ISRC4_FSL rate) 0 = Disabled 1 = Enabled

4.4 DSP Firmware Control

The CS47L90 digital core incorporates seven DSP processing blocks, capable of running a wide range of audio-enhancement functions. Different firmware configurations can be loaded onto each DSP, enabling the CS47L90 to be highly customized for specific application requirements. Full read/write access to the device register map is supported from each DSP core, including access to the firmware registers of the other DSPs. Synchronization of different DSPs is supported, and shared data memory space is provided for the DSP2 and DSP3 blocks; these features enable enhanced processing capabilities for the associated DSPs.

Examples of the DSP functions include multiband compressor (MBC) and the SoundClear suite of audio processing algorithms. Note that it is possible to implement more than one type of audio enhancement function on a single DSP; the precise combinations of functions vary from one firmware configuration to another.

The DSP blocks each employ the same internal architecture and provide an equivalent processing capability. Note that the DSPs differ in terms of the firmware memory sizes associated with each. DSPs 1–6 can be clocked at up to 150 MHz, corresponding to 150 MIPS each. DSP7 is designed for low-power operation, clocked at up to 75 MHz. The CS47L90 supports always-on clocking modes, including event-triggered DSP clocking.

DSP firmware can be configured using software packages provided by Cirrus Logic. A software programming guide can also be provided to assist users in developing their own software algorithms—please contact your Cirrus Logic representative for further information.

To use the DSP blocks, the required firmware configuration must first be loaded onto the device by writing the appropriate files to the CS47L90 register map. The firmware configuration comprises program, data, and coefficient content. In some cases, the coefficient content must be derived using tools provided in the WISCE evaluation board control software.

Details of the DSP firmware memory registers are provided in [Section 4.4.1](#). Note that the WISCE evaluation board control software provides support for easy loading of program, data, and coefficient content onto the CS47L90. Please contact your Cirrus Logic representative for more details of the WISCE evaluation board control software.

After loading the DSP firmware, the DSP functions must be enabled using the associated control fields.

The audio signal paths connecting to and from the DSP processing blocks are configured as described in [Section 4.3](#). Note that the DSP firmware must be loaded and enabled before audio signal paths can be enabled.

4.4.1 DSP Firmware Memory and Register Mapping

The DSP firmware memory is programmed by writing to the registers referenced in [Table 4-29](#). Note that clocking is not required for access to the firmware registers by the host processor.

The CS47L90 program, data, and coefficient register memory space is described in [Table 4-29](#). The full register map listing is provided in [Section 6](#). The shared DSP2/DSP3 memory space is implemented at two different register address locations; reading or writing at either address accesses the same memory data.

If multiple DSPs write to a shared memory address at the same time, the address at which the collision occurred is reported in the DSP3_DUALMEM_COLLISION_ADDR field. Note that this field is coded in 24-bit DSP data word units, and is defined relative to the base address of the applicable shared memory area.

The DSP memory controller provides an input to the interrupt control circuit. An interrupt event is triggered if a memory collision occurs. Note that the DSP software should be written to ensure this never happens; the interrupt is intended for development purposes only. See [Section 4.16](#) for details of the interrupt-event handling.

The program firmware parameters are formatted as 40-bit words. For this reason, 3 x 32-bit register addresses are required for every 2 x 40-bit words.

Table 4-29. DSP Program, Data, and Coefficient Registers

DSP Number	Description	Register Address	Number of Registers	DSP Memory Size
DSP1	Program memory	0x08_0000–0x08_8FFE	18432	12k x 40-bit words
	X-Data memory	0x0A_0000–0x0A_9FFE	20480	20k x 24-bit words
	Y-Data memory	0x0C_0000–0x0C_3FFE	8192	8k x 24-bit words
	Coefficient memory	0x0E_0000–0x0E_1FFE	4096	4k x 24-bit words
DSP2	Program memory	0x10_0000–0x10_EFFE	30720	20k x 40-bit words
	X-Data memory	0x12_0000–0x12_BFFE	24576	24k x 24-bit words
	X-Data memory (Shared DSP2/DSP3)	0x13_6000–0x13_7FFE	4096	4k x 24-bit words
	Y-Data memory	0x14_0000–0x14_BFFE	24576	24k x 24-bit words
	Coefficient memory	0x16_0000–0x16_1FFE	4096	4k x 24-bit words
DSP3	Program memory	0x18_0000–0x18_EFFE	30720	20k x 40-bit words
	X-Data memory	0x1A_0000–0x1B_1FFE	36864	36k x 24-bit words
	X-Data memory (Shared DSP2/DSP3)	0x1B_6000–0x1B_7FFE	4096	4k x 24-bit words
	Y-Data memory	0x1C_0000–0x1C_BFFE	24576	24k x 24-bit words
	Coefficient memory	0x1E_0000–0x1E_1FFE	4096	4k x 24-bit words
DSP4	Program memory	0x20_0000–0x20_8FFE	18432	12k x 40-bit words
	X-Data memory	0x22_0000–0x22_9FFE	20480	20k x 24-bit words
	Y-Data memory	0x24_0000–0x24_3FFE	8192	8k x 24-bit words
	Coefficient memory	0x26_0000–0x26_1FFE	4096	4k x 24-bit words
DSP5	Program memory	0x28_0000–0x28_8FFE	18432	12k x 40-bit words
	X-Data memory	0x2A_0000–0x2A_9FFE	20480	20k x 24-bit words
	Y-Data memory	0x2C_0000–0x2C_3FFE	8192	8k x 24-bit words
	Coefficient memory	0x2E_0000–0x2E_1FFE	4096	4k x 24-bit words
DSP6	Program memory	0x30_0000–0x30_8FFE	18432	12k x 40-bit words
	X-Data memory	0x32_0000–0x33_3FFE	40960	40k x 24-bit words
	Y-Data memory	0x34_0000–0x35_3FFE	40960	40k x 24-bit words
	Coefficient memory	0x36_0000–0x36_1FFE	4096	4k x 24-bit words

Table 4-29. DSP Program, Data, and Coefficient Registers (Cont.)

DSP Number	Description	Register Address	Number of Registers	DSP Memory Size
DSP7	Program memory	0x38_0000–0x38_8FFE	18432	12k x 40-bit words
	X-Data memory	0x3A_0000–0x3B_3FFE	40960	40k x 24-bit words
	Y-Data memory	0x3C_0000–0x3D_3FFE	40960	40k x 24-bit words
	Coefficient memory	0x3E_0000–0x3E_1FFE	4096	4k x 24-bit words

The X-memory on each DSP supports read/write access to all register fields throughout the device, including the codec control registers, and the firmware memory of all of the integrated DSP cores. Access to the register address space is supported using a number of register windows within the X-memory on each DSP.

The register window space is additional to the X-data memory sizes described in [Table 4-29](#). Note that the X-memory addresses of these register windows are the same for all DSP cores, regardless of the different X-memory sizes.

Addresses 0xC000 to 0xDFFF in X-memory map directly to addresses 0x0000 to 0x1FFF in the device register space. This fixed register window contains primarily the codec control registers; it also includes the virtual DSP control registers (described in [Section 4.4.7](#)). Each X-memory address within this window maps onto one 16-bit register in the codec memory space.

Four movable register windows are also provided, starting at X-memory addresses 0xF000, 0xF400, 0xF800, and 0xFC00 respectively. Each window represents 1024 addresses in the X-memory space. The start address, within the corresponding device register space, for each window is configured using DSP_n_EXT_[A/B/C/D]_PAGE (where A defines the first window, B defines the second window, etc.).

Two mapping modes are supported and are selected using the DSP_n_EXT_[A/B/C/D]_PSIZE16 bits for the respective window. In 16-Bit Mode, each address within the window maps onto one 16-bit register in the device memory space; the window equates to 1024 x 16-bit registers. In 32-Bit Mode, each address within the window maps onto two 16-bit registers in the device memory space; the window equates to 1024 x 32-bit registers.

Note that the X-memory is only 24-bits wide; as a result, the upper 8 bits of the odd-numbered register addresses are not mapped, and cannot be accessed, in 32-Bit Mode.

The DSP_n_EXT_[A/B/C/D]_PAGE fields are defined with an LSB = 512. Accordingly, the base address of each window must be aligned with 512-word boundaries. Note that the base addresses are entirely independent of each other; for example, overlapping windows are permissible if required, and there is no requirement for the A/B/C/D windows to be at incremental locations.

The register map window functions are shown in [Fig. 4-30](#). Further information on the definition and usage of the DSP firmware memories is provided in the software programming guide; contact your Cirrus Logic representative if required.

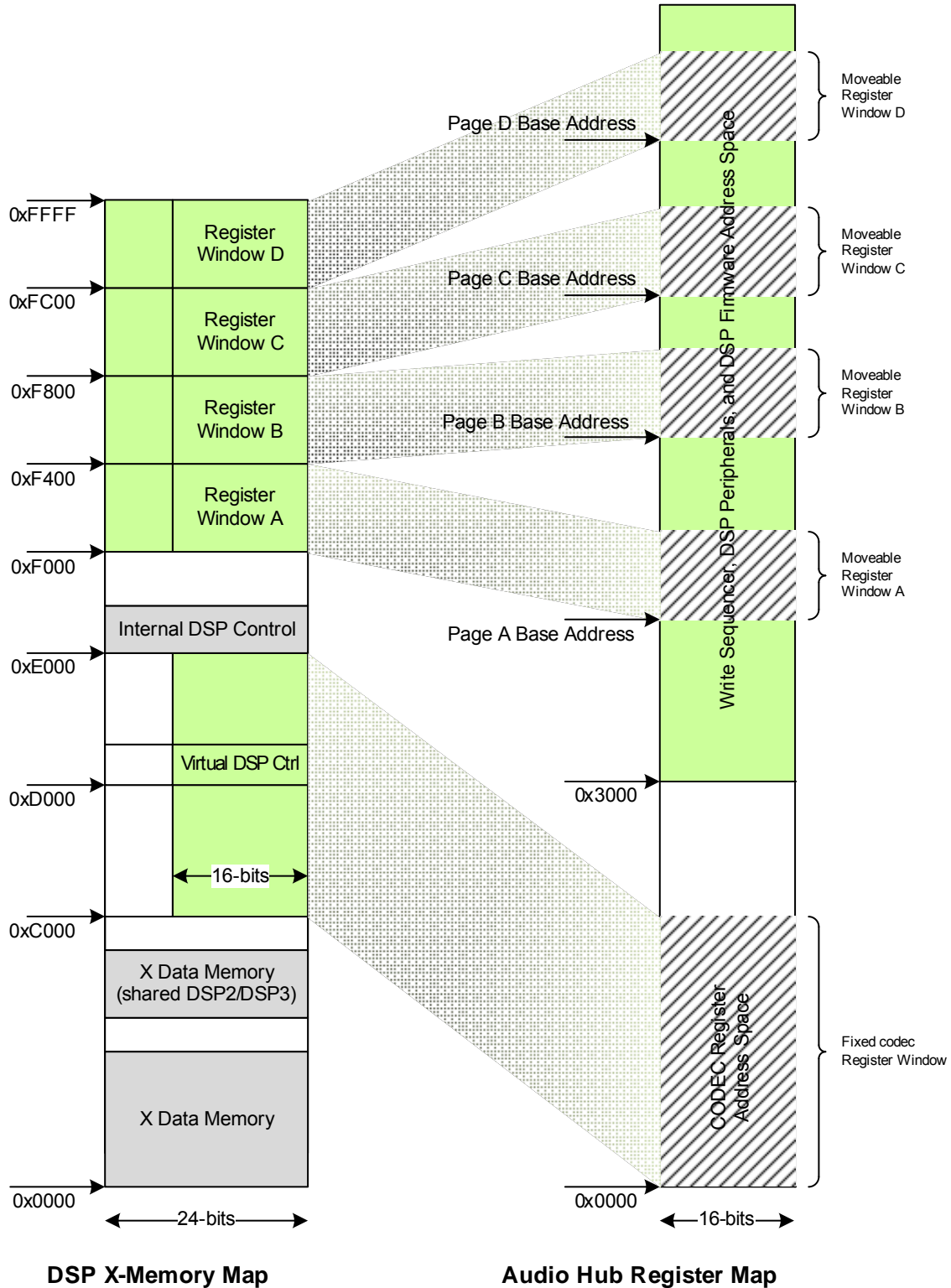


Figure 4-30. X-Data Memory Map

Note that the full CS47L90 register space is shown here as 16-bit width. (SPI/I²C/SLIMbus register access uses 32-bit data width at 0x3000 and above.) However, the window base address fields (DSP_n_EXT_[A/B/C/D]_PAGE) are referenced to 16-bit width, and 16-bit register mapping is shown. Hence, the device register map is shown here entirely as 16-bit width for ease of explanation.

The control registers associated with the register map window functions are described in [Table 4-30](#).

Table 4-30. X-Data Memory and Clocking Control

Register Address	Bit	Label	Default	Description
DSP1 Base Address = R1048064 (0x0F_FE00) DSP2 Base Address = R1572352 (0x17_FE00) DSP3 Base Address = R2096640 (0x1F_FE00) DSP4 Base Address = R2620928 (0x27_FE00) DSP5 Base Address = R3145216 (0x2F_FE00) DSP6 Base Address = R3669504 (0x37_FE00) DSP7 Base Address = R4193792 (0x3F_FE00)				
Base address + 0x54 DSPn_Ext_window_A	31	DSPn_EXT_A_PSIZE16	0	Register Window A page width select 0 = 32-bit 1 = 16-bit Note that, in 32-Bit Mode, only the lower 24 bits can be accessed.
	15:0	DSPn_EXT_A_PAGE[15:0]	0x0000	Sets the Base Address of Register Window A in X-memory. Coded as LSB = 512 (0x200)
Base address + 0x56 DSPn_Ext_window_B	31	DSPn_EXT_B_PSIZE16	0	Register Window B page width select 0 = 32-bit 1 = 16-bit Note that, in 32-Bit Mode, only the lower 24 bits can be accessed.
	15:0	DSPn_EXT_B_PAGE[15:0]	0x0000	Sets the Base Address of Register Window B in X-memory. Coded as LSB = 512 (0x200)
Base address + 0x58 DSPn_Ext_window_C	31	DSPn_EXT_C_PSIZE16	0	Register Window C page width select 0 = 32-bit 1 = 16-bit Note that, in 32-Bit Mode, only the lower 24 bits can be accessed.
	15:0	DSPn_EXT_C_PAGE[15:0]	0x0000	Sets the Base Address of Register Window C in X-memory. Coded as LSB = 512 (0x200)
Base address + 0x5A DSPn_Ext_window_D	31	DSPn_EXT_D_PSIZE16	0	Register Window D page width select 0 = 32-bit 1 = 16-bit Note that, in 32-Bit Mode, only the lower 24 bits can be accessed.
	15:0	DSPn_EXT_D_PAGE[15:0]	0x0000	Sets the Base Address of Register Window D in X-memory. Coded as LSB = 512 (0x200)

4.4.2 DSP Memory Locking

Each DSP has the capability for read/write access to the codec registers and to the firmware memory space of other DSPs. Access to these registers and memories is supported via the X-memory on each DSP (using the register windows), as described in [Section 4.4.1](#).

The CS47L90 provides a register-locking feature that blocks DSP register-write attempts to invalid register regions, preventing the firmware from making unintentional changes to register and memory contents. An interrupt event and associated debug information are generated if any write-access attempt is blocked; this can be used to assist software development and debug.

The register map and DSP firmware memories are partitioned into 10 regions; each region can be locked independently with respect to each DSP core. This allows full flexibility to lock different register/memory regions according to the specific firmware running on each DSP.

Each DSP has direct access to its own X-, Y-, Z-, and P- memories; this is always enabled and cannot be locked. Access to the codec registers, DSP peripheral registers, and the firmware memory space of other DSPs is effected using the X-memory register windows (fixed codec window, and four configurable windows)—write access to these locations is governed by the locking mechanism that has been configured in respect of the DSP.

The virtual DSP registers occupy addresses within the codec register space; these registers represent one of the lockable regions within the register map—two independent locks are provided for the codec and virtual DSP registers.

Note: A DSP n register window can be mapped onto a memory region of the same DSP n . In this event, write access via that window is governed by the register locks, potentially blocking the DSP from accessing its own memory. This is not the intended use of the register lock, however.

The lockable register/memory regions are defined in [Table 4-31](#).

Table 4-31. DSP Memory Locking Regions

Region	Description	Register Address	Notes
Region 0	Virtual DSP registers	0x00_1000–0x00_2FFF	Excludes memory lock and watchdog reset registers
Region 1	Codec registers	0x00_0000–0x03_FFFE	Excludes virtual DSP registers
Region 2	DSP peripheral control registers	0x04_0000–0x07_FFFE	—
Region 3	DSP1 memory	0x08_0000–0x09_FFFE	—
Region 4	DSP2 memory	0x10_0000–0x17_FFFE	—
Region 5	DSP3 memory	0x18_0000–0x19_FFFE	—
Region 6	DSP4 memory	0x20_0000–0x27_FFFE	—
Region 7	DSP5 memory	0x28_0000–0x29_FFFE	—
Region 8	DSP6 memory	0x30_0000–0x37_FFFE	—
Region 9	DSP7 memory	0x38_0000–0x39_FFFE	—

The register locks are controlled using the DSP n _CTRL_REGION m _LOCK fields (where n identifies the DSP core, and m identifies the register/memory region). The associated lock determines whether DSP n is granted write access to region m . To change the lock status, two writes must be made to the respective register field:

- Writing 0x5555, followed by 0xAAAA, sets the respective lock
- Writing 0xCCCC, followed by 0x3333, clears the respective lock

The status of each lock can be read from the DSP n _CTRL_REGION m _LOCK_STS bits.

Write access to the DSP n _CTRL_REGION m _LOCK fields is always possible if they are accessed by the same DSP n . This means that each DSP core always has write access for configuring the locks affecting register access by that DSP. However, if one DSP attempts to configure the locks on another DSP, this would be conditional upon the status of the applicable lock. For example, if DSP2 attempts to configure the DSP3 lock settings, the effect would depend on the DSP2_CTRL_REGION5_LOCK status (Region 5 corresponds to DSP3 locks).

The DSP memory locking function is an input to the interrupt control circuit and can be used to trigger an interrupt event if an invalid register write is attempted—see [Section 4.4.5](#). Additional status and control fields are provided for debug purposes, as described in [Section 4.4.6](#).

The control registers associated with the DSP memory locking functions are described in [Table 4-32](#).

Table 4-32. DSP Memory Locking Control

Register Address	Bit	Label	Default	Description
DSP1 Base Address = R1048064 (0x0F_FE00)				
DSP2 Base Address = R1572352 (0x17_FE00)				
DSP3 Base Address = R2096640 (0x1F_FE00)				
DSP4 Base Address = R2620928 (0x27_FE00)				
DSP5 Base Address = R3145216 (0x2F_FE00)				
DSP6 Base Address = R3669504 (0x37_FE00)				
DSP7 Base Address = R4193792 (0x3F_FE00)				
Base address + 0x64 DSP n _Region_lock_sts_0	9	DSP n _CTRL_REGION9_LOCK_STS	0	DSP n memory region m lock status
	8	DSP n _CTRL_REGION8_LOCK_STS	0	0 = Unlocked
	7	DSP n _CTRL_REGION7_LOCK_STS	0	1 = Locked (write access is blocked)
	6	DSP n _CTRL_REGION6_LOCK_STS	0	
	5	DSP n _CTRL_REGION5_LOCK_STS	0	
	4	DSP n _CTRL_REGION4_LOCK_STS	0	
	3	DSP n _CTRL_REGION3_LOCK_STS	0	
	2	DSP n _CTRL_REGION2_LOCK_STS	0	
	1	DSP n _CTRL_REGION1_LOCK_STS	0	
0	DSP n _CTRL_REGION0_LOCK_STS	0		

Table 4-32. DSP Memory Locking Control (Cont.)

Register Address	Bit	Label	Default	Description
Base address + 0x66 DSP _n _Region_lock_1 DSP _n _Region_lock_0	31:16 15:0	DSP _n _CTRL_REGION1_LOCK[15:0] DSP _n _CTRL_REGION0_LOCK[15:0]	See Footnote 1 See Footnote 1	DSP _n memory region <i>m</i> lock. Write 0x5555, then 0xAAAA, to set the lock. Write 0xCCCC, then 0x3333, to clear the lock.
Base address + 0x68 DSP _n _Region_lock_3 DSP _n _Region_lock_2	31:16 15:0	DSP _n _CTRL_REGION3_LOCK[15:0] DSP _n _CTRL_REGION2_LOCK[15:0]	See Footnote 1 See Footnote 1	
Base address + 0x6A DSP _n _Region_lock_5 DSP _n _Region_lock_4	31:16 15:0	DSP _n _CTRL_REGION5_LOCK[15:0] DSP _n _CTRL_REGION4_LOCK[15:0]	See Footnote 1 See Footnote 1	
Base address + 0x6C DSP _n _Region_lock_7 DSP _n _Region_lock_6	31:16 15:0	DSP _n _CTRL_REGION7_LOCK[15:0] DSP _n _CTRL_REGION6_LOCK[15:0]	See Footnote 1 See Footnote 1	
Base address + 0x6E DSP _n _Region_lock_9 DSP _n _Region_lock_8	31:16 15:0	DSP _n _CTRL_REGION9_LOCK[15:0] DSP _n _CTRL_REGION8_LOCK[15:0]	See Footnote 1 See Footnote 1	

1. Default is not applicable to these write-only fields

4.4.3 DSP Firmware Control

The configuration and control of the DSP firmware is described in the following subsections.

4.4.3.1 DSP Memory

The DSP memory (program, X-data, Y-data, and coefficient) is enabled by setting DSP_n_MEM_ENA for the respective DSP. This memory must be enabled (DSP_n_MEM_ENA = 1) for read/write access, code execution, and DMA functions. The DSP memory is disabled, and the contents lost, whenever the respective DSP_n_MEM_ENA bit is cleared.

The DSP_n_MEM_ENA bits are not affected by software reset; these bits remain in their previous state under software reset conditions. Accordingly, the DSP memory contents are maintained through software reset, provided DCVDD is held above its reset threshold.

The DSP firmware memory is always cleared under power-on reset, hardware reset, and Sleep Mode conditions. See [Section 5.2](#) for a summary of the CS47L90 reset behavior.

4.4.3.2 DSP Clocking

Clocking is required for each DSP processing block, when executing software or when supporting DMA functions. (Note that clocking is not required for access to the firmware registers by the host processor.)

Clocking within each DSP is enabled and disabled automatically, as required by the respective DSP core and DMA channel status.

In normal operating conditions, the clock source for each DSP is derived from DSPCLK. See [Section 4.17](#) for details of how to configure DSPCLK. See [Section 4.4.3.4](#) for supported clocking configurations when DSPCLK is not enabled.

The clock frequency for each DSP is selected using the DSP_n_CLK_FREQ_SEL field (where *n* identifies the applicable DSP block, 1 to 7). The selected DSP clock frequency must be less than or equal to the DSPCLK frequency. For DSP7, the maximum DSP clock frequency is 75 MHz.

The DSP_n_CLK_FREQ_STS fields indicate the clock frequency for the respective DSP cores. These can be used to confirm the clock frequency, in cases where code execution has a minimum clock frequency requirement. The DSP_n_CLK_FREQ_STS field is only valid when the respective core is running code; typical usage of this field would be for the DSP core itself to read the clock status and to take action as applicable, in particular, if the available clock does not meet the application requirements.

Note that, depending on the DSPCLK frequency and the available clock dividers, the DSP n clock frequency may differ from the selected clock. In most cases, the DSP n clock frequency equals or exceeds the requested frequency. A lower frequency is implemented if limited by either the DSPCLK frequency or the maximum DSP n clocking frequency.

The DSPCLK configuration provides input to the interrupt control circuit and can be used to trigger an interrupt event when the DSP n clock frequency is less than the requested frequency; see [Section 4.16](#).

4.4.3.3 DSP Code Execution

After the DSP firmware has been loaded, and the clocks configured, the DSP blocks are enabled by setting the DSP n _CORE_ENA bits. When the DSP is configured and enabled, the firmware execution can be started by writing 1 to the respective DSP n _START bit.

Alternative methods to trigger the firmware execution can also be configured using the DSP n _START_IN_SEL fields. Note that this provides the capability to synchronously trigger multiple DSP blocks.

Using the DSP n _START_IN_SEL fields, the DSP firmware execution can be linked to the respective DMA function, the IRQ2 status, DSP n start signals from another DSP, or to the FIFO status in one of the event loggers:

- DMA function: firmware execution commences when all enabled DSP input (WDMA) channel buffers have been filled, and all enabled DSP output (RDMA) channel buffers have been emptied
- DSP n start signals: firmware execution commences when the respective start signal is triggered in the selected DSP core (1 to 4 only)
- IRQ2: firmware execution commences when one or more of the unmasked IRQ2 events has occurred
- Event logger status: firmware execution commences when the FIFO not-empty status is asserted within the respective event logger

To enable firmware execution on the respective DSP block, the DSP n _CORE_ENA bit must be set. Note that the usage of the DSP n _START bit may vary depending on the particular firmware that is being executed: in some applications (e.g., when an alternative trigger is selected using DSP n _START_IN_SEL), writing to the DSP n _START bit is not required.

4.4.3.4 DSP Operation without DSPCLK

In normal operating conditions, the clock source for each DSP block is derived from DSPCLK. The CS47L90 also supports DSP operation when DSPCLK is not enabled; this provides capability for always-on DSP applications.

The alternative clock source, for DSP clocking without DSPCLK, is the always-on FLL (FLL_AO). The FLL_AO output frequency range is approximately 45–50 MHz and is suitable for low-speed DSP clocking requirements.

The default FLL_AO settings are configured to provide a 49.152-MHz output, suitable for use as the always-on DSP clock source. Note that the FLL_AO control registers must always hold valid settings—either enabled and locked to an input reference clock, or else configured in FLL Hold Mode. See [Section 4.17.9](#) for details of FLL_AO.

The always-on DSP clocking options are configured using the DSP n _FLL_AO_CLKENA and EVENTLOG n _FLL_AO_CLKENA bits:

- Setting DSP n _FLL_AO_CLKENA causes the respective DSP to be clocked directly from FLL_AO if DSP_CLK_ENA = 0. This allows the DSP core to execute firmware code while DSPCLK is absent.
- Setting EVENTLOG n _FLL_AO_CLKENA enables the DSP cores to be clocked directly from FLL_AO if DSP_CLK_ENA = 0 and the FIFO not-empty status is asserted for the respective event logger. This allows the DSP cores to execute firmware code while DSPCLK is absent, triggered by an event detected on one of the event loggers. Note that a DSP core is only clocked in this case if the start trigger for that DSP is derived from the status of the respective event logger (i.e., DSP n _START_IN_SEL selects the event logger as the start signal). See [Section 4.5.2](#) for details of the event loggers; the EVENTLOG n _FLL_AO_CLKENA bits are defined in [Table 4-38](#).

Note that these control bits do not automatically start DSP firmware execution—the applicable DSP blocks must also be enabled using DSP n _CORE_ENA, and the start signals must be configured, as applicable.

The intended use case of the `EVENTLOGn_FLL_AO_CLKENA` bit is where one of the DSP cores is configured to use an event logger status bit as its start condition. Note that, to support continued operation of the DSP core after the event log status is cleared (i.e., the FIFO buffer has been emptied), clocking of the respective DSP core must be enabled using `DSPn_FLL_AO_CLKENA`, or else by enabling `DSPCLK` as per the normal system clocking operation. One or other of these actions could be effected via the DSP firmware code.

The clock frequency for each DSP in these always-on clocking modes is selected using the `DSPn_CLK_FREQ_SEL` field (same as normal DSP clocking). Note that, depending on the `FLL_AO` output frequency and the available clock dividers, the `DSPn` clock frequency may differ from the selected frequency. In most cases, the `DSPn` clock frequency equals or exceeds the requested frequency. A lower frequency is implemented if limited by the `FLL_AO` frequency.

The `DSP_CLK_SRC` field is ignored in the always-on clocking modes. The DSP cores revert to the normal (`DSPCLK`) clocking configuration if `DSP_CLK_ENA = 1`.

4.4.3.5 DSP Watchdog Timer

A watchdog timer is provided for each DSP, which can be used to detect software lock-ups, and other conditions that require corrective action in order to resume the intended DSP behavior.

The `DSPn` watchdog is enabled using `DSPn_WDT_ENA`. The timeout period is configured using `DSPn_WDT_MAX_COUNT`.

In normal operation, the watchdog should be reset regularly—this action is used to confirm that the DSP code is running correctly. The watchdog is reset by writing `0x5555`, followed by `0xA555`, to the `DSPn_WDT_RESET` field.

The watchdog status bit, `DSPn_WDT_TIMEOUT_STS`, is set if the timeout period elapses before the watchdog is reset; this event typically signals that a lock-up or other error condition has occurred.

The DSP watchdog is an input to the interrupt control circuit and can be used to trigger an interrupt event if the timeout period elapses—see [Section 4.4.5](#).

Note that write access to the `DSPn_WDT_RESET` field is not affected by the register locking mechanism (see [Section 4.4.2](#)), if written by the same `DSPn`. This means that each `DSPn` core always has write access to reset the watchdog for the same `DSPn`. However, if one DSP attempts to reset the watchdog on another DSP, this would be conditional upon the status of the applicable lock. For example, if `DSP2` attempts to reset the `DSP3` watchdog, the effect would depend upon the `DSP2_CTRL_REGION5_LOCK` status (Region 5 corresponds to `DSP3` locks).

4.4.3.6 DSP Control Registers

The DSP memory, clocking, code-execution, and watchdog control registers are described in [Table 4-33](#).

The audio signal paths connecting to/from the DSP processing blocks are configured as described in [Section 4.3](#). Note that the DSP firmware must be loaded and enabled before audio signal paths can be enabled.

Table 4-33. DSP Control Registers

Register Address	Bit	Label	Default	Description
DSP1 Base Address = R1048064 (0x0F_FE00) DSP2 Base Address = R1572352 (0x17_FE00) DSP3 Base Address = R2096640 (0x1F_FE00) DSP4 Base Address = R2620928 (0x27_FE00) DSP5 Base Address = R3145216 (0x2F_FE00) DSP6 Base Address = R3669504 (0x37_FE00) DSP7 Base Address = R4193792 (0x3F_FE00)				
Base address DSP _n _Config_1	24	DSP _n _FLL_AO_CLKENA	0	DSP _n always-on clock control Selects the DSP _n clocking if DSPCLK is disabled 0 = No clock 1 = DSP _n is clocked directly from FLL_AO
	4	DSP _n _MEM_ENA	0	DSP _n memory control 0 = Disabled 1 = Enabled The DSP _n memory contents are lost when DSP _n _MEM_ENA = 0. Note that this bit is not affected by software reset; it remains in its previous condition.
	1	DSP _n _CORE_ENA	0	DSP _n enable. Controls the DSP _n firmware execution 0 = Disabled 1 = Enabled
	0	DSP _n _START		DSP _n start Write 1 to start DSP _n firmware execution
Base address +0x02 DSP _n _Config_2	15:0	DSP _n _CLK_FREQ_SEL[15:0]	0x0000	DSP _n clock frequency select Coded as LSB = 1/64 MHz, Valid from 5.6 to 148 MHz. [DSP7] - Valid up to 75 MHz only. The DSP _n clock must be less than or equal to the DSPCLK frequency. The DSP _n clock is generated by division of DSPCLK, and may differ from the selected frequency. The DSP _n clock frequency can be read from DSP _n _CLK_FREQ_STS.
Base address +0x06 DSP _n _Status_2	31:16	DSP _n _DUALMEM_COLLISION_ADDR[15:0]	0x0000	DSP _n dual-memory collision address. In the event of a DSP _n memory access collision, this field reports the address at which the collision occurred. The address is defined relative to the base address of the shared data memory. The LSB represents one 24-bit DSP memory word.
	0	DSP _n _CLK_AVAIL	0	DSP _n clock availability (read only) 0 = No Clock 1 = Clock Available This bit exists for legacy software support only; it is not recommended for future designs—it may be unreliable on the latest device architectures.
Base address +0x08 DSP _n _Status_3	15:0	DSP _n _CLK_FREQ_STS[15:0]	0x0000	DSP _n clock frequency (read only). Valid only when the respective DSP core is enabled. Coded as LSB = 1/64 MHz.
Base address +0x0A DSP _n _Watchdog_1	4:1	DSP _n _WDT_MAX_COUNT[3:0]	0x0	DSP _n watchdog timeout value. 0x0 = 2 ms 0x5 = 64 ms 0xA = 2 s 0x1 = 4 ms 0x6 = 128 ms 0xB = 4 s 0x2 = 8 ms 0x7 = 256 ms 0xC = 8 s 0x3 = 16 ms 0x8 = 512 ms 0xD–0xF = reserved 0x4 = 32 ms 0x9 = 1 s
	0	DSP _n _WDT_ENA	0	DSP _n watchdog enable 0 = Disabled 1 = Enabled

Table 4-33. DSP Control Registers (Cont.)

Register Address	Bit	Label	Default	Description
Base address +0x38 DSP _n _External_Start	4:0	DSP _n _START_IN_SEL[4:0]	0x00	DSP _n firmware execution control. Selects the trigger for DSP _n firmware execution. 0x00 = DMA 0x06 = DSP3 Start 2 0x12 = Event Logger 3 0x01 = DSP1 Start 1 0x07 = DSP4 Start 1 0x13 = Event Logger 4 0x02 = DSP1 Start 2 0x08 = DSP4 Start 2 0x14 = Event Logger 5 0x03 = DSP2 Start 1 0x0B = IRQ2 0x15 = Event Logger 6 0x04 = DSP2 Start 2 0x10 = Event Logger 1 0x16 = Event Logger 7 0x05 = DSP3 Start 1 0x11 = Event Logger 2 0x17 = Event Logger 8 All other codes are reserved. Note that the DSP _n _START bit also starts the DSP _n firmware execution, regardless of this field setting.
Base address +0x5E DSP _n _Watchdog_2	15:0	DSP _n _WDT_RESET[15:0]	0x0000	DSP _n watchdog reset. Write 0x5555, followed by 0xAAAA, to reset the watchdog.
Base address +0x7A DSP _n _Region_lock_ctrl_0	13	DSP _n _WDT_TIMEOUT_STS	0	DSP _n watchdog timeout status This bit, when set, indicates that the watchdog timeout has occurred. This bit is latched when set; it is cleared when the watchdog is disabled or reset.

4.4.4 DSP Direct Memory Access (DMA) Control

Each DSP provides a multichannel DMA function; this is configured using the registers described in [Table 4-34](#).

There are eight WDMA (DSP input) and six RDMA (DSP output) channels for each DSP; these are enabled using the DSP_n_WDMA_CHANNEL_ENABLE and DSP_n_RDMA_CHANNEL_ENABLE fields. The status of each WDMA channel is indicated in DSP_n_WDMA_ACTIVE_CHANNELS.

The DMA can access the X-data memory or Y-data memory associated with the respective DSP. The applicable memory is selected using bit [15] of the respective x_START_ADDRESS field for each DMA channel.

The start address of each DMA channel is configured as described in [Table 4-34](#). Note that the required address is defined relative to the base address of the selected (X-data or Y-data) memory.

The buffer length of the DMA channels is configured using the DSP_n_DMA_BUFFER_LENGTH field. The selected buffer length applies to all enabled DMA channels.

Note that the start-address fields and buffer-length fields are defined in 24-bit DSP data word units. This means that the LSB of these fields represents one 24-bit DSP memory word. This differs from the CS47L90 register map layout described in [Table 4-29](#).

The parameters of a DMA channel (i.e., start address or offset address) must not be changed while the respective DMA is enabled. All of the DMA channels must be disabled before changing the DMA buffer length.

Each DMA channel uses a twin buffer mechanism to support uninterrupted data flow through the DSP. The buffers are called *ping* and *pong*, and are of configurable size, as noted above. Data is transferred to/from each buffer in turn.

When the ping input data buffer is full, the DSP_n_PING_FULL bit is set, and a DSP start signal is generated. The start signal from the DMA is typically used to start firmware execution, as noted in [Table 4-33](#). Meanwhile, further DSP input data fills up the pong buffer.

When the pong input buffer is full, the DSP_n_PONG_FULL bit is set, and another DSP start signal is generated. The DSP firmware must take care to read the input data from the applicable buffer, in accordance with the DSP_n_PING_FULL and DSP_n_PONG_FULL status bits.

Twin buffers are also used on the DSP output (RDMA) channels. The output ping buffers are emptied at the same time as the input ping buffers are filled; the output pong buffers are emptied at the same time that the input pong buffers are filled.

The DSP cores support 24-bit signal processing. Under default conditions, the DSP audio data is in 2's complement Q3.20 format (i.e., 0xF00000 corresponds to the -1.0 level, and 0x100000 corresponds to the +1.0 level; a sine wave with peak values of ±1.0 corresponds to the 0 dBFS level). If DSP_n_DMA_WORD_SEL is set, audio data is transferred to and from DSP_n in Q0.23 format. The applicable format should be set according to the requirements of the specific DSP firmware.

Note that the DSP cores are optimized for Q3.20 audio data processing; Q0.23 data can be supported, but the firmware implementation may incur a reduction in power efficiency due to the higher MIPS required for arithmetic operations in non-native data word format.

The DMA function is an input to the interrupt control circuit—see [Section 4.4.5](#). The respective interrupt event is triggered if all enabled input (WDMA) channel buffers have been filled and all enabled output (RDMA) channel buffers have been emptied.

Further details of the DMA are provided in the software programming guide; contact your Cirrus Logic representative if required.

Table 4-34. DMA Control

Register Address	Bit	Label	Default	Description
DSP1 Base Address = R1048064 (0x0F_FE00) DSP2 Base Address = R1572352 (0x17_FE00) DSP3 Base Address = R2096640 (0x1F_FE00) DSP4 Base Address = R2620928 (0x27_FE00) DSP5 Base Address = R3145216 (0x2F_FE00) DSP6 Base Address = R3669504 (0x37_FE00) DSP7 Base Address = R4193792 (0x3F_FE00)				
Base address +0x04 DSP _n _Status_1	31	DSP _n _PING_FULL	0	DSP _n WDMA Ping Buffer Status 0 = Not Full 1 = Full
	30	DSP _n _PONG_FULL	0	DSP _n WDMA Pong Buffer Status 0 = Not Full 1 = Full
	23:16	DSP _n _WDMA_ACTIVE_CHANNELS[7:0]	0x00	DSP _n WDMA Channel Status There are eight WDMA channels; each bit of this field indicates the status of the respective WDMA channel. Each bit is coded as follows: 0 = Inactive 1 = Active
Base address +0x10 DSP _n _WDMA_Buffer_1	31:16	DSP _n _START_ADDRESS_WDMA_BUFFER_1[15:0]	0x0000	DSP _n WDMA Channel 1 Start Address Bit [15] = Memory select 0 = X-data memory 1 = Y-data memory Bits [14:0] = Address select The address is defined relative to the base address of the applicable data memory. The LSB represents one 24-bit DSP memory word. Note that the start address is also controlled by the respective DSP _n _WDMA_CHANNEL_OFFSET bit.
	15:0	DSP _n _START_ADDRESS_WDMA_BUFFER_0[15:0]	0x0000	DSP _n WDMA Channel 0 Start Address Field description is as above.
Base address +0x12 DSP _n _WDMA_Buffer_2	31:16	DSP _n _START_ADDRESS_WDMA_BUFFER_3[15:0]	0x0000	DSP _n WDMA Channel 3 Start Address Field description is as above.
	15:0	DSP _n _START_ADDRESS_WDMA_BUFFER_2[15:0]	0x0000	DSP _n WDMA Channel 2 Start Address Field description is as above.
Base address +0x14 DSP _n _WDMA_Buffer_3	31:16	DSP _n _START_ADDRESS_WDMA_BUFFER_5[15:0]	0x0000	DSP _n WDMA Channel 5 Start Address Field description is as above.
	15:0	DSP _n _START_ADDRESS_WDMA_BUFFER_4[15:0]	0x0000	DSP _n WDMA Channel 4 Start Address Field description is as above.
Base address +0x16 DSP _n _WDMA_Buffer_4	31:16	DSP _n _START_ADDRESS_WDMA_BUFFER_7[15:0]	0x0000	DSP _n WDMA Channel 7 Start Address Field description is as above.
	15:0	DSP _n _START_ADDRESS_WDMA_BUFFER_6[15:0]	0x0000	DSP _n WDMA Channel 6 Start Address Field description is as above.

Table 4-34. DMA Control (Cont.)

Register Address	Bit	Label	Default	Description
Base address +0x20 DSP _n _RDMA_Buffer_1	31:16	DSP _n _START_ADDRESS_RDMA_BUFFER_1[15:0]	0x0000	DSP _n RDMA Channel 1 Start Address Bit [15] = Memory select 0 = X-data memory 1 = Y-data memory Bits [14:0] = Address select The address is defined relative to the base address of the applicable data memory. The LSB represents one 24-bit DSP memory word. Note that the start address is also controlled by the respective DSP _n _RDMA_CHANNEL_OFFSET bit.
	15:0	DSP _n _START_ADDRESS_RDMA_BUFFER_0[15:0]	0x0000	DSP _n RDMA Channel 0 Start Address Field description is as above.
Base address +0x22 DSP _n _RDMA_Buffer_2	31:16	DSP _n _START_ADDRESS_RDMA_BUFFER_3[15:0]	0x0000	DSP _n RDMA Channel 3 Start Address Field description is as above.
	15:0	DSP _n _START_ADDRESS_RDMA_BUFFER_2[15:0]	0x0000	DSP _n RDMA Channel 2 Start Address Field description is as above.
Base address +0x24 DSP _n _RDMA_Buffer_3	31:16	DSP _n _START_ADDRESS_RDMA_BUFFER_5[15:0]	0x0000	DSP _n RDMA Channel 5 Start Address Field description is as above.
	15:0	DSP _n _START_ADDRESS_RDMA_BUFFER_4[15:0]	0x0000	DSP _n RDMA Channel 4 Start Address Field description is as above.
Base address +0x30 DSP _n _DMA_Config_1	23:16	DSP _n _WDMA_CHANNEL_ENABLE[7:0]	0x00	DSP _n WDMA Channel Enable There are eight WDMA channels; each bit of this field enables the respective WDMA channel. Each bit is coded as follows: 0 = Disabled 1 = Enabled
	13:0	DSP _n _DMA_BUFFER_LENGTH[13:0]	0x0000	DSP _n DMA Buffer Length Selects the amount of data transferred in each DMA channel. The LSB represents one 24-bit DSP memory word.
Base address +0x32 DSP _n _DMA_Config_2	7:0	DSP _n _WDMA_CHANNEL_OFFSET[7:0]	0x00	DSP _n WDMA Channel Offset There are eight WDMA channels; each bit of this field offsets the start Address of the respective WDMA channel. Each bit is coded as follows: 0 = No offset 1 = Offset by 0x8000
Base address +0x34 DSP _n _DMA_Config_3	21:16	DSP _n _RDMA_CHANNEL_OFFSET[5:0]	0x00	DSP _n RDMA Channel Offset There are six RDMA channels; each bit of this field offsets the start Address of the respective RDMA channel. Each bit is coded as follows: 0 = No offset 1 = Offset by 0x8000
	5:0	DSP _n _RDMA_CHANNEL_ENABLE[5:0]	0x00	DSP _n RDMA Channel Enable There are six RDMA channels; each bit of this field enables the respective RDMA channel. Each bit is coded as follows: 0 = Disabled 1 = Enabled
Base address +0x36 DSP _n _DMA_Config_4	0	DSP _n _DMA_WORD_SEL	0	DSP _n Data Word Format 0 = Q3.20 format (4 integer bits, 20 fractional bits) 1 = Q0.23 format (1 integer bit, 23 fractional bits) The data word format should be set according to the requirements of the applicable DSP firmware.

4.4.5 DSP Interrupts

The DSP cores provide inputs to the interrupt circuit and can be used to trigger an interrupt event when the associated conditions occur. For each DSP, the following interrupts are provided:

- DMA interrupt—Asserted when all enabled DSP input (WDMA) channel buffers have been filled, and all enabled DSP output (RDMA) channel buffers have been emptied
- DSP Start 1, DSP Start 2 interrupts—Asserted when the respective start signal is triggered
- DSP Busy interrupt—Asserted when the DSP is busy (i.e., when firmware execution or DMA processes are started)
- DSP Bus Error interrupt—Asserted when a locked register address, invalid memory address, or watchdog timeout error is detected

The CS47L90 also provides 16 control bits that allow the DSP cores to generate programmable interrupt events. When a 1 is written to these bits (see [Table 4-35](#)), the respective DSP interrupt (DSP_IRQ n _EINT x) is triggered. The associated interrupt bits are latched once set; they can be polled at any time or used to control the IRQ signal.

See [Section 4.16](#) for further details.

Table 4-35. DSP Interrupts

Register Address	Bit	Label	Default	Description
R5632 (0x1600)	1	DSP_IRQ2	0	DSP IRQ2. Write 1 to trigger the DSP_IRQ2_EINT n interrupt.
ADSP2_IRQ0	0	DSP_IRQ1	0	DSP IRQ1. Write 1 to trigger the DSP_IRQ1_EINT n interrupt.
R5633 (0x1601)	1	DSP_IRQ4	0	DSP IRQ4. Write 1 to trigger the DSP_IRQ4_EINT n interrupt.
ADSP2_IRQ1	0	DSP_IRQ3	0	DSP IRQ3. Write 1 to trigger the DSP_IRQ3_EINT n interrupt.
R5634 (0x1602)	1	DSP_IRQ6	0	DSP IRQ6. Write 1 to trigger the DSP_IRQ6_EINT n interrupt.
ADSP2_IRQ2	0	DSP_IRQ5	0	DSP IRQ5. Write 1 to trigger the DSP_IRQ5_EINT n interrupt.
R5635 (0x1603)	1	DSP_IRQ8	0	DSP IRQ8. Write 1 to trigger the DSP_IRQ8_EINT n interrupt.
ADSP2_IRQ3	0	DSP_IRQ7	0	DSP IRQ7. Write 1 to trigger the DSP_IRQ7_EINT n interrupt.
R5636 (0x1604)	1	DSP_IRQ10	0	DSP IRQ10. Write 1 to trigger the DSP_IRQ10_EINT n interrupt.
ADSP2_IRQ4	0	DSP_IRQ9	0	DSP IRQ9. Write 1 to trigger the DSP_IRQ9_EINT n interrupt.
R5637 (0x1605)	1	DSP_IRQ12	0	DSP IRQ12. Write 1 to trigger the DSP_IRQ12_EINT n interrupt.
ADSP2_IRQ5	0	DSP_IRQ11	0	DSP IRQ11. Write 1 to trigger the DSP_IRQ11_EINT n interrupt.
R5638 (0x1606)	1	DSP_IRQ14	0	DSP IRQ14. Write 1 to trigger the DSP_IRQ14_EINT n interrupt.
ADSP2_IRQ6	0	DSP_IRQ13	0	DSP IRQ13. Write 1 to trigger the DSP_IRQ13_EINT n interrupt.
R5639 (0x1607)	1	DSP_IRQ16	0	DSP IRQ16. Write 1 to trigger the DSP_IRQ16_EINT n interrupt.
ADSP2_IRQ7	0	DSP_IRQ15	0	DSP IRQ15. Write 1 to trigger the DSP_IRQ15_EINT n interrupt.

4.4.6 DSP Debug Support

General-purpose registers are provided for each DSP. These have no assigned function and can be used to assist in algorithm development.

The JTAG interface provides test and debug access to the CS47L90, as described in [Section 4.21](#). The JTAG interface clock can be enabled independently for each DSP core using the DSP n _DBG_CLK_ENA bits. Note that, when the JTAG interface is used to access any DSP core, the respective DSP n _CORE_ENA bit must also be set.

The DSP n _LOCK_ERR_STS bit indicates that DSP n attempted to write to a locked register address. The DSP n _ADDR_ERR_STS bit indicates that DSP n attempted to access an invalid memory address (i.e., an address whose contents are undefined). Once set, these bits remain set until a 1 is written to DSP n _ERR_CLEAR.

The DSP n _PMEM_ERR_ADDR and DSP n _XMEM_ERR_ADDR fields contain the program memory and X-data memory addresses associated with a locked register address error condition. If DSP n _LOCK_ERR_STS is set, these fields correspond to the first-detected locked register address error. Note that no subsequent error event can be reported in these fields until the DSP n _LOCK_ERR_STS is cleared.

Note: The DSP n _PMEM_ERR_ADDR value is the prefetched address of a code instruction that has not yet been executed; it does not point directly to the instruction that caused the error.

The DSP n _BUS_ERR_ADDR field indicates the register/memory address that resulted in a register-access error. The field relates either to a locked register address error or to an invalid memory address error, as follows:

- If DSP n _LOCK_ERR_STS is set, the DSP n _BUS_ERR_ADDR value corresponds to the first-detected locked register address error. Note that no subsequent error event can be reported in this field until DSP n _LOCK_ERR_STS is cleared.

- If `DSPn_ADDR_ERR_STS` is set, and `DSPn_LOCK_ERR_STS` is clear, the `DSPn_BUS_ERR_ADDR` field corresponds to the most recent invalid memory address error.
- If the `DSPn_LOCK_ERR_STS` and `DSPn_ADDR_ERR_STS` are both clear, the `DSPn_BUS_ERR_ADDR` field is undefined.

Note: The `DSPn_BUS_ERR_ADDR` value is coded using a byte-referenced address, so the actual register address is equal to `DSPn_BUS_ERR_ADDR / 2`. If the register-access error is the result of an attempt to access the virtual DSP registers, a register address of 0 is reported.

If the `DSPn_ERR_PAUSE` bit is set, the `DSPn` code execution stops immediately on detection of a locked register address error. This enables debug information to be retrieved from the DSP core during code development. In this event, code execution can be restarted by clearing the `DSPn_ERR_PAUSE` bit. Alternatively, the DSP core can be restarted by clearing and setting `DSPn_CORE_ENA` (described in [Section 4.4.3.3](#)).

Table 4-36. DSP Debug Support

Register Address	Bit	Label	Default	Description
DSP1 Base Address = R1048064 (0x0F_FE00) DSP2 Base Address = R1572352 (0x17_FE00) DSP3 Base Address = R2096640 (0x1F_FE00) DSP4 Base Address = R2620928 (0x27_FE00) DSP5 Base Address = R3145216 (0x2F_FE00) DSP6 Base Address = R3669504 (0x37_FE00) DSP7 Base Address = R4193792 (0x3F_FE00)				
Base address <code>DSP_n_Config_1</code>	3	<code>DSP_n_DBG_CLK_ENA</code>	0	<code>DSP_n</code> Debug Clock Enable 0 = Disabled 1 = Enabled
Base address +0x40 <code>DSP_n_Scratch_1</code>	31:16	<code>DSP_n_SCRATCH_1[15:0]</code>	0x0000	<code>DSP_n</code> Scratch Register 1
	15:0	<code>DSP_n_SCRATCH_0[15:0]</code>	0x0000	<code>DSP_n</code> Scratch Register 0
Base address +0x42 <code>DSP_n_Scratch_2</code>	31:16	<code>DSP_n_SCRATCH_3[15:0]</code>	0x0000	<code>DSP_n</code> Scratch Register 3
	15:0	<code>DSP_n_SCRATCH_2[15:0]</code>	0x0000	<code>DSP_n</code> Scratch Register 2
Base address +0x52 <code>DSP_n_Bus_Error_Addr</code>	23:0	<code>DSP_n_BUS_ERR_ADDR[23:0]</code>	0x00_0000	Contains the register address of a memory region lock or memory address error event. Note the associated register address is equal to <code>DSP_n_BUS_ERR_ADDR / 2</code> .
Base address + 0x7A <code>DSP_n_Region_lock_ctrl_0</code>	15	<code>DSP_n_LOCK_ERR_STS</code>	0	<code>DSP_n</code> memory region lock error status. This bit, when set, indicates that <code>DSP_n</code> attempted to write to a locked register address. This bit is latched when set; it is cleared when a 1 is written to <code>DSP_n_ERR_CLEAR</code> .
	14	<code>DSP_n_ADDR_ERR_STS</code>	0	<code>DSP_n</code> memory address error status. This bit, when set, indicates that <code>DSP_n</code> attempted to access an undefined locked register address. This bit is latched when set; it is cleared when a 1 is written to <code>DSP_n_ERR_CLEAR</code> .
	1	<code>DSP_n_ERR_PAUSE</code>	0	<code>DSP_n</code> bus address error control. Configures the <code>DSP_n</code> response to a memory region lock error event. 0 = No action 1 = Pause <code>DSP_n</code> code execution
	0	<code>DSP_n_ERR_CLEAR</code>	0	Write 1 to clear the memory region lock error and memory address error status bits.
Base address + 0x7C <code>DSP_n_PMEM_Err_Addr___XMEM_Err_Addr</code>	30:16	<code>DSP_n_PMEM_ERR_ADDR[14:0]</code>	0x0000	Contains the program memory address of a memory region lock error event. Note this is the prefetched address of a subsequent instruction; it does not point directly to the address that caused the error.
	15:0	<code>DSP_n_XMEM_ERR_ADDR[15:0]</code>	0x0000	Contains the X-data memory address of a memory region lock error event.

4.4.7 Virtual DSP Registers

The DSP control registers, described throughout [Section 4.4](#), are implemented for each DSP core. Each control register has a unique location within the CS47L90 register map.

An additional set of DSP control registers is also defined, which can be used in firmware to access any of the DSPs: The virtual DSP (or DSP 0) registers are defined at address R4096 (0x1000) in the device register map. The full register map listing is provided in [Section 6](#).

Note that read/write access to the virtual DSP registers is only possible via firmware running on the integrated DSP cores. When DSP firmware accesses the virtual registers, the registers are automatically mapped onto the control registers corresponding to whichever DSP core is making the read/write access. For example, if DSP1 accesses these registers, they are mapped onto the DSP1 control registers. If DSP2 accesses the virtual registers, they are mapped onto the DSP2 control registers.

The virtual DSP registers are designed to allow software to be transferable to any of the DSPs without modification to the software code.

The virtual DSP registers are defined at register addresses R4096–R4192 (0x1000–0x1060) in the device register map. Note that these registers cannot be accessed directly at the addresses shown; they can be only accessed through DSP firmware code, using the register window function shown in [Fig. 4-30](#). The virtual DSP registers are located at address 0xD000 in the X-data memory map.

4.5 DSP Peripheral Control

The CS47L90 incorporates a suite of DSP peripheral functions that can be integrated together to support the sensor-hub capability. A master I²C interface is provided for external sensor connectivity. Configurable event log functions provide multichannel monitoring of internal and external signals. The general-purpose timers provide time-stamp data for the event logs and support watchdog and other miscellaneous time-based functions. Maskable GPIO provides an efficient mechanism for multiple DSPs to access the respective input and output signals.

The DSP peripherals are designed to provide a comprehensive sensor-hub capability, operating with a high degree of autonomy from the host processor.

4.5.1 Master Interfaces (MIF1, MIF2, MIF3)

The CS47L90 incorporates three I²C master interfaces, offering a flexible capability for additional sensor/accessory input.

4.5.1.1 Overview

The master interfaces (MIF1, MIF2, MIF3) can support single- and multiple-master I²C operation up to 1 MHz. The master interfaces support 7- and 10-bit slave addressing modes. Master device arbitration algorithms are implemented, in accordance with the standard I²C protocol. A watchdog timer is provided for detecting interface error conditions.

The master interfaces are ideally suited for connection to external sensors such as accelerometers, gyroscopes, and magnetometers for motion-sensing and navigation applications. Other example accessories include barometers and ambient light sensors, for environmental awareness. Flow-control bits for the TX and RX data buffers enable easy integration with external devices and with internal DSP functions.

Clocking for the master interfaces is derived from DSPCLK, which must be enabled and present when using any of these interfaces. Standard I²C bus rates are configured automatically from the DSPCLK frequency (see [Section 4.17](#)).

4.5.1.2 Transmit and Receive Data Buffers

The transmit (master write) and receive (master read) actions are each supported by 16-byte data buffers, allowing I²C transfers of up to 2,097,152 data bytes (2 MB). The number of data bytes transferred in each I²C operation is selected using MIF_n_TX_LENGTH or MIF_n_RX_LENGTH.

Data to be transmitted is managed using the TX data buffers; the application software must load data into the buffer registers (MIF $_n$ _TX_BYTE $_x$) and then write 1 to the MIF $_n$ _TX_DONE bit to commit that data for transmission. The MIF $_n$ _TX_REQUEST bit indicates when the buffer registers are ready for loading new data. Internal buffering of the TX data enables uninterrupted I²C writes. If new data is not ready for transmission, SCLK halts until the buffer registers have been filled.

Data received on the interface is managed using the RX data buffers; the MIF $_n$ _RX_REQUEST bit indicates when the buffer registers contain new data. The application software must read the buffer registers (MIF $_n$ _RX_BYTE $_m$), and then write 1 to the MIF $_n$ _RX_DONE bit to confirm the data has been read. Internal buffering of the RX data enables uninterrupted I²C reads. If the buffers are not ready to receive new data, SCLK halts until the buffer registers have been read.

The master interface divides each I²C transaction into one or more data blocks. The block length is configurable using the MIF $_n$ _TX_BLOCK_LENGTH and MIF $_n$ _RX_BLOCK_LENGTH fields. The block length is equal to the number of bytes transmitted/received for each TX_DONE/RX_DONE action. The maximum block length is 16 bytes, corresponding to the size of the TX and RX data buffers.

Note: The order in which the data bytes in the TX/RX buffers are transferred depends on the selected MIF $_n$ _WORD_SIZE setting. Correct setting of the word size ensures that each data word is transmitted/received most-significant byte first.

The Master Interface is configured for Read (RX) or Write (TX) operation using the MIF1_READ_WRITE_SEL bit. Each I²C transfer is started by writing 1 to the MIF1_START bit. In the case of a Master Write, data must be committed to the TX data buffers using the TX_DONE bit, to enable the transfer to proceed—note that the first block of transmit data can be committed to the TX buffers before or after writing to the START bit for the respective transfer.

4.5.1.3 Interrupts and Status Bits

The MIF $_n$ _BUSY_STS bit indicates when the master interface is executing an I²C transaction. This bit is set during each I²C transaction, and cleared on completion. An interrupt event is also triggered on completion of the I²C transfer, if the corresponding MIF1_DONE_EINT $_x$ is unmasked as an input to the IRQ circuit.

Additional status bits are provided to indicate watchdog timeout, loss of bus arbitration, or a NACK error signal received. [Table 4-37](#) describes these bits.

Note that the MIF done indication is asserted each time an I²C transfer completes, including when an error condition has occurred. It is recommended that the master interface status bits be checked after each I²C transaction, so corrective action can be taken when necessary.

The master interface provides inputs to the interrupt control circuit. An interrupt event is triggered on completion of each TX/RX block, and on completion of the I²C transaction; see [Section 4.16](#).

4.5.1.4 External Connections

The external connections associated with each I²C master interface (MIF) are implemented on multifunction GPIO pins, which must be configured for the respective MIF functions when required. The MIF $_n$ SCLK and MIF $_n$ SDA connections are pin-specific alternative functions available on specific GPIO pins only. See [Section 4.15](#) to configure the GPIO pins for the MIF operation.

Fig. 4-31 shows a typical master I²C write transfer.

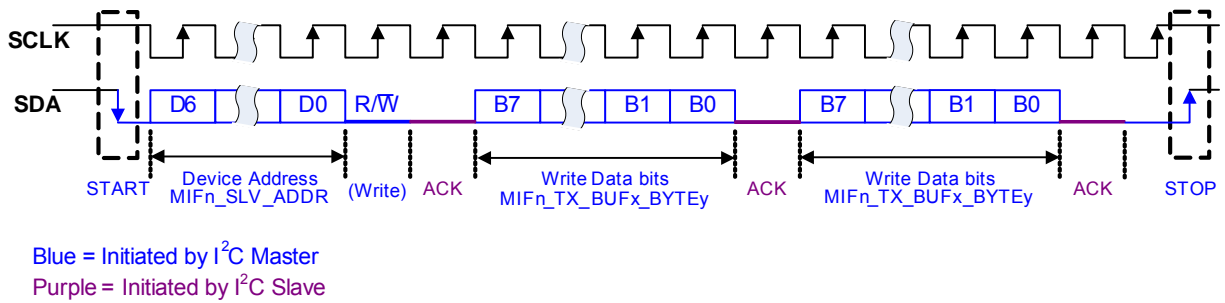


Figure 4-31. Master I²C Write

Fig. 4-32 shows a typical master I²C read transfer.

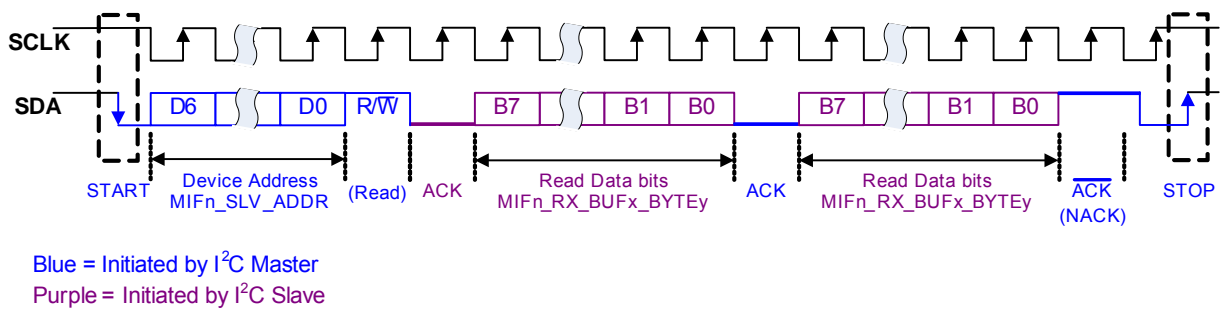


Figure 4-32. Master I²C Read

Fig. 4-33 shows a typical master I²C write/read transfer; the read transaction is preceded by a repeated start.

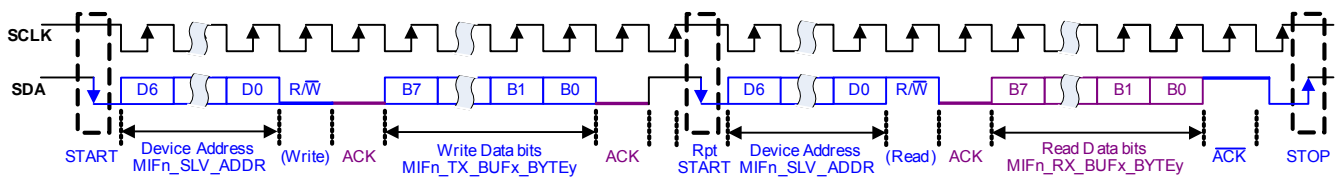


Figure 4-33. Master I²C Write and Read

4.5.1.5 Master Interface Control Registers

The MIF control registers are described in [Table 4-37](#).

Table 4-37. Master Interface (MIF_n) Control

Register Address	Bit	Label	Default	Description
MIF1 Base Address = R262144 (0x4_0000) MIF2 Base Address = R263168 (0x4_0400) MIF3 Base Address = R264192 (0x4_0800)				
Base address MIF _n _I2C_CONFIG_1	2:0	MIF _n _SCL_FREQ_SEL[2:0]	000	Selects the Interface speed, i.e., SCLK frequency. 000 = 10 kHz 001 = 100 kHz 010 = 400 kHz 011 = 1 MHz All other codes are reserved. Clocking is derived from DSPCLK, which must be enabled and present. The MIF _n _DSPCLK_FREQ_LOW bit indicates whether the DSPCLK frequency is high enough to support the requested SCLK frequency. The SCLK frequencies are approximate, and depend on the available DSPCLK frequency.
Base address +0x002 MIF _n _I2C_CONFIG_2	10:1	MIF _n _SLV_ADDR[9:0]	0x000	Address of Slave on which transactions are executed. For 7-Bit Mode, lower 7 bits of field are used.
	0	MIF _n _ADDR_MODE	0	Selects the addressing mode of I ² C Master 0 = 7-Bit Mode 1 = 10-Bit Mode
Base address +0x004 MIF _n _I2C_CONFIG_3	3	MIF _n _NACK_RESPONSE	0	Selects the action taken if NACK is received from Slave. 0 = Stop Condition sent. 1 = Stop Condition not sent; next transaction commences with a Repeated Start. Note that, if the Stop Condition is not sent, the master retains control of the bus until a subsequent action is scheduled. The next transaction commences with a Repeated Start in this case.
	2	MIF _n _SCL_MON_ENA	1	Enables bus monitoring functions on SCLK 0 = Disabled 1 = Enabled This feature enables support for clock stretching by slave devices, and enables bus synchronization as part of multimaster operation.
	1	MIF _n _RPT_START	0	Selects the action taken on completion of a bus transaction. 0 = Stop Condition sent. 1 = Stop Condition not sent; next transaction commences with a Repeated Start. Note that, if the Stop Condition is not sent, the master retains control of the bus until a subsequent action is scheduled. The next transaction commences with a Repeated Start in this case.
	0	MIF _n _START_BYTE_ENA	0	Selects whether a Start Byte is transmitted before an I ² C transaction. 0 = Disabled 1 = Enabled The Start Byte is a dummy transaction that provides support for bus devices that use low-frequency polling to detect I ² C activity. The Start Byte, when enabled, is transmitted before the Slave Address bytes. It is not acknowledged on the bus by any device.
Base address +0x008 MIF _n _I2C_CONFIG_5	8	MIF _n _WDT_CONFIG_MODE	0	Watchdog Timer (WDT) mode 0 = Automatically configured to 300μs (approx.) 1 = Manually configured using MIF _n _WDT_MAX_COUNT
	0	MIF _n _WDT_ENA	0	Watchdog Timer (WDT) control 0 = Disabled 1 = Enabled When bus monitoring functions are enabled (MIF _n _SCL_MON_ENA = 1), the watchdog timer is used to detect the SCLK line being pulled low for a prolonged duration.
Base address +0x00A MIF _n _I2C_CONFIG_6	15:0	MIF _n _WDT_MAX_COUNT[15:0]	0x0800	Watchdog Timer (WDT) timeout value. Only valid if MIF _n _WDT_CONFIG_MODE = 1. The Watchdog count frequency can be read from MIF _n _DSPCLK_FREQ_STS.

Table 4-37. Master Interface (MIF_n) Control (Cont.)

Register Address	Bit	Label	Default	Description
Base address +0x080 MIF _n _I2C_STATUS_1	2	MIF _n _WDT_TIMEOUT_STS	0	Watchdog Timer (WDT) Error Status. This bit, when set, indicates that the WDT expired during the I ² C transaction. This bit is latched when set; it is only cleared on next I ² C transaction.
	1	MIF _n _ARBIT_LOST_STS	0	Arbitration Error Status. This bit, when set, indicates that arbitration was lost during the I ² C transaction. This bit is latched when set; it is only cleared on next I ² C transaction.
	0	MIF _n _NACK_STS	0	NACK Error Status. This bit, when set, indicates that a NACK Error signal was received during the I ² C transaction. This bit is latched when set; it is only cleared on next I ² C transaction.
Base address +0x100 MIF _n _CONFIG_1	0	MIF _n _START	0	Starts the I ² C transaction Write 1 to start.
Base address +0x104 MIF _n _CONFIG_3	17:16	MIF _n _WORD_SIZE[1:0]	00	Selects the data word format. I ² C transactions are made up of 1-Byte data words; the sequence order of these words differs according to the applicable word format. Correct setting of the MIF _n _WORD_SIZE field ensures that each data word is transmitted/received as MSB first. 00 = 8-bit (1, 2, 3, 4, 5, 6, 7, 8, etc) 01 = 16-bit (2, 1, 4, 3, 6, 5, 8, 7, etc) 10 = 32-bit (4, 3, 2, 1, 8, 7, 6, 5, etc) The bracketed numbers describe the order in which applicable MIF _n [TX]RX[_BYTE]x fields are transmitted/received over the I ² C interface.
	0	MIF _n _READ_WRITE_SEL	0	Selects the I ² C Command type 0 = Master Write 1 = Master Read
Base address +0x106 MIF _n _CONFIG_4	20:0	MIF _n _TX_LENGTH[20:0]	0x00_0000	Selects the total number of data bytes in an I ² C Write operation. 0x00_0000 = 1 byte 0x00_0001 = 2 bytes 0x00_0002 = 3 bytes ... 0x1F_FFFF = 2,097,152 bytes
Base address +0x110 MIF _n _CONFIG_5	20:0	MIF _n _RX_LENGTH[20:0]	0x00_0000	Selects the total number of data bytes in an I ² C Read operation. 0x00_0000 = 1 byte 0x00_0001 = 2 bytes 0x00_0002 = 3 bytes ... 0x1F_FFFF = 2,097,152 bytes
Base address +0x112 MIF _n _CONFIG_6	7:0	MIF _n _TX_BLOCK_LENGTH[7:0]	0x10	Selects the interval at which the MIF _n _BLOCK Interrupt is triggered during I ² C Write operations. 0x00 = 1 byte 0x01 = 1 byte 0x02 = 2 bytes ... 0x10 = 16 bytes All other codes are reserved
Base address +0x114 MIF _n _CONFIG_7	7:0	MIF _n _RX_BLOCK_LENGTH[7:0]	0x10	Selects the interval at which the MIF _n _BLOCK Interrupt is triggered during I ² C Read operations. 0x00 = 1 byte 0x01 = 1 byte 0x02 = 2 bytes ... 0x10 = 16 bytes All other codes are reserved

Table 4-37. Master Interface (MIF_n) Control (Cont.)

Register Address	Bit	Label	Default	Description
Base address +0x116 MIF _n _CONFIG_8	4	MIF _n _RX_DONE	0	RX Buffer access control bit. Write 1 to indicate that data in the RX Buffer has been read. In normal operation, a 1 is written after reading the RX buffer. This causes the MIF _n _RX_REQUEST bit to be cleared. (Note that, if further data is available to read, the MIF _n _RX_REQUEST bit remains set in this case.)
	0	MIF _n _TX_DONE	0	TX Buffer access control bit. Write 1 to indicate the TX Buffer has been filled with data for transmission. In normal operation, a 1 is written after writing the TX buffer. This causes the MIF _n _TX_REQUEST bit to be cleared.
Base address +0x180 MIF _n _STATUS_1	8	MIF _n _BUSY_STS	0	MIF Busy Status. This bit, when set, indicates that the master interface is executing an I ² C transaction.
	8	MIF _n _RX_REQUEST	0	RX Buffer flow control bit 0 = No data available to read 1 = Buffer data is available to read
	1	MIF _n _TX_REQUEST	0	TX Buffer flow control bit 0 = TX buffer not available to write 1 = TX buffer is available to write
Base address +0x182 MIF _n _STATUS_2	20:0	MIF _n _BYTE_COUNT[20:0]	0x00_0000	Number of data bytes transferred in current transaction. Note that this field is cleared on completion of the I ² C transaction.
Base address +0x184 MIF _n _STATUS_3	16	MIF _n _DSPCLK_LOW	0	DSPCLK source status. Indicates whether the DSPCLK frequency is high enough to support the requested SCLK rate. 0 = DSPCLK frequency is ok 1 = DSPCLK frequency is too low
	15:0	MIF _n _DSPCLK_FREQ_STS[15:0]	0x0000	MIF _n Reference Frequency (Read only). This is the clocking frequency of the MIF _n circuit, derived by division of DSPCLK. The watchdog timer (WDT) counts at this rate. Coded as LSB = 1/64 MHz.
Base address +0x200 MIF _n _TX_1	31:24	MIF _n _TX_BYTE4[7:0]	0x00	TX Byte 4
	23:16	MIF _n _TX_BYTE3[7:0]	0x00	TX Byte 3
	15:8	MIF _n _TX_BYTE2[7:0]	0x00	TX Byte 2
	7:0	MIF _n _TX_BYTE1[7:0]	0x00	TX Byte 1
Base address +0x202 MIF _n _TX_2	31:24	MIF _n _TX_BYTE8[7:0]	0x00	TX Byte 8
	23:16	MIF _n _TX_BYTE7[7:0]	0x00	TX Byte 7
	15:8	MIF _n _TX_BYTE6[7:0]	0x00	TX Byte 6
	7:0	MIF _n _TX_BYTE5[7:0]	0x00	TX Byte 5
Base address +0x204 MIF _n _TX_3	31:24	MIF _n _TX_BYTE12[7:0]	0x00	TX Byte 12
	23:16	MIF _n _TX_BYTE11[7:0]	0x00	TX Byte 11
	15:8	MIF _n _TX_BYTE10[7:0]	0x00	TX Byte 10
	7:0	MIF _n _TX_BYTE9[7:0]	0x00	TX Byte 9
Base address +0x206 MIF _n _TX_4	31:24	MIF _n _TX_BYTE16[7:0]	0x00	TX Byte 16
	23:16	MIF _n _TX_BYTE15[7:0]	0x00	TX Byte 15
	15:8	MIF _n _TX_BYTE14[7:0]	0x00	TX Byte 14
	7:0	MIF _n _TX_BYTE13[7:0]	0x00	TX Byte 13
Base address +0x300 MIF _n _RX_1	31:24	MIF _n _RX_BYTE4[7:0]	0x00	RX Byte 4
	23:16	MIF _n _RX_BYTE3[7:0]	0x00	RX Byte 3
	15:8	MIF _n _RX_BYTE2[7:0]	0x00	RX Byte 2
	7:0	MIF _n _RX_BYTE1[7:0]	0x00	RX Byte 1
Base address +0x302 MIF _n _RX_2	31:24	MIF _n _RX_BYTE8[7:0]	0x00	RX Byte 8
	23:16	MIF _n _RX_BYTE7[7:0]	0x00	RX Byte 7
	15:8	MIF _n _RX_BYTE6[7:0]	0x00	RX Byte 6
	7:0	MIF _n _RX_BYTE5[7:0]	0x00	RX Byte 5
Base address +0x304 MIF _n _RX_3	31:24	MIF _n _RX_BYTE12[7:0]	0x00	RX Byte 12
	23:16	MIF _n _RX_BYTE11[7:0]	0x00	RX Byte 11
	15:8	MIF _n _RX_BYTE10[7:0]	0x00	RX Byte 10
	7:0	MIF _n _RX_BYTE9[7:0]	0x00	RX Byte 9

Table 4-37. Master Interface (MIF n) Control (Cont.)

Register Address	Bit	Label	Default	Description
Base address +0x306	31:24	MIF n _RX_BYTE16[7:0]	0x00	RX Byte 16
MIF n _RX_4	23:16	MIF n _RX_BYTE15[7:0]	0x00	RX Byte 15
	15:8	MIF n _RX_BYTE14[7:0]	0x00	RX Byte 14
	7:0	MIF n _RX_BYTE13[7:0]	0x00	RX Byte 13

4.5.2 Event Loggers

The CS47L90 provides eight event log functions, supporting multichannel, edge-sensitive monitoring and recording of internal or external signals.

4.5.2.1 Overview

The event loggers allow status information to be captured from a large number of sources, to be prioritized and acted upon as required. For the purposes of the event loggers, an event is recorded when a logic transition (edge) is detected on a selected signal source.

The logged events are held in a FIFO buffer, which is managed by the application software. A 32-bit time stamp, derived from one of the general-purpose timers, is associated and recorded with each FIFO index, to provide a comprehensive record of the detected events.

Each event logger must be associated with one of the general-purpose timers. The selected timer is the source of time stamp data for any logged events. If DSPCLK is disabled, the timer also provides the clock source for the event logger. (If DSPCLK is enabled, DSPCLK is used as the clock source instead.)

A maximum of one event per cycle of the clock source can be logged. If more than one event occurs within the cycle time, the highest priority (lowest channel number) event is logged at the rising edge of the clock. In this case, any lower priority events is queued, and is logged as soon as no higher priority events are pending. It is possible for recurring events on a high-priority channel to be logged, while low-priority ones remain queued. Note that recurring instances of events that are queued would not be logged.

The event logger can use a slow clock (e.g., 32 kHz), but higher clock frequencies may also be commonly used, depending on the application and use case. The clock frequency determines the maximum possible event logging rate.

4.5.2.2 Event Logger Control

The event logger is enabled by setting EVENTLOG n _ENA (where n identifies the respective event logger, 1–8).

The event logger can be reset by writing 1 to EVENTLOG n _RST. Executing this function clears all the event logger status flags and clears the contents of the FIFO buffer.

The associated timer (and time-stamp source) is selected using EVENTLOG n _TIME_SEL. Note that the event logger must be disabled (EVENTLOG n _ENA = 0) when selecting the timer source.

4.5.2.3 Input Channel Configuration

The event logger allows up to 16 input channels to be configured for detection and logging. The EVENTLOG n _CH x _SEL field selects the applicable input source for each channel (where x identifies the channel number, 1 to 16). The polarity selection and debounce options are configured using the EVENTLOG n _CH x _POL and EVENTLOG n _CH x _DB bits respectively.

The input channels can be enabled or disabled freely, using EVENTLOG n _CH x _ENA, without having to disable the event logger entirely. An input channel must be disabled whenever the associated x _SEL, x _POL, or x _DB fields are written. It is possible to reconfigure input channels while the event logger is enabled, provided the channels being reconfigured are disabled when doing so.

The available input sources include GPIO inputs, external accessory status (jack, mic, sensors), and signals generated by the integrated DSP cores. A list of the valid input sources for the event loggers is provided in [Table 4-39](#). Note that, to log both rising and falling events from any source, two separate input channels must be configured—one for each polarity.

If an input channel is configured for rising edge detection ($\text{EVENTLOG}_n\text{_CH}_x\text{_POL} = 0$), and the corresponding input signal is asserted (Logic 1) at the time when the event logger is enabled, an event is logged in respect of this initial state. Similarly, if an input channel is configured for falling edge detection, and is deasserted (Logic 0) when the event logger is enabled, a corresponding event is logged. If rising and falling edges are both configured for detection, an event is always logged in respect of the initial condition.

4.5.2.4 FIFO Buffer

Each event (signal transition) that meets the criteria of an enabled channel is written to the 16-stage FIFO buffer. The buffer is filled cyclically, but does not overwrite unread data when full. An error condition occurs if the buffer fills up completely.

Note that the FIFO behavior is not enforced or fully implemented in the device hardware, but assumes that a compatible software implementation is in place. New events are written to the buffer in a cyclic manner, but the data can be read out in any order, if desired. The designed FIFO behavior requires the software to update the read pointer (RPTR) in the intended manner for smooth operation.

The entire contents of the 16-stage FIFO buffer can be accessed directly in the register map. Each FIFO index ($y = 0$ to 15) comprises the $\text{EVENTLOG}_n\text{_FIFO}_y\text{_ID}$ (identifying the source signal of the associated log event), the $\text{EVENTLOG}_n\text{_FIFO}_y\text{_POL}$ (the polarity of the respective event transition), and the $\text{EVENTLOG}_n\text{_FIFO}_y\text{_TIME}$ field (containing the 32-bit time stamp from the associated timer).

The FIFO buffer is managed using $\text{EVENTLOG}_n\text{_FIFO_WPTR}$ and $\text{EVENTLOG}_n\text{_FIFO_RPTR}$. The write pointer (WPTR) field identifies the index location (0 to 15) in which the next event is logged. The read pointer (RPTR) field identifies the index location of the first set of unread data, if any exists. Both of these fields are initialized to 0 when the event logger is reset.

- If $\text{RPTR} \neq \text{WPTR}$, the buffer contains new data. The number of new events is equal to the difference between the two pointer values ($\text{WPTR} - \text{RPTR}$, allowing for wraparound beyond Index 15). For example, if $\text{WPTR} = 12$ and $\text{RPTR} = 8$, this means that there are four unread data sets in the buffer, at index locations 8, 9, 10, and 11. After reading the new data from the buffer, the RPTR value should be incremented by the corresponding amount (e.g., increment by 4, in the example described above). Note that the RPTR value can either be incremented once for each read, or can be incremented in larger steps after a batch read.
- If $\text{RPTR} = \text{WPTR}$, the buffer is either empty (0 events) or full (16 events). In this case, the status bits described in [Section 4.5.2.5](#) confirm the current status of the buffer.

4.5.2.5 Status Bits

The $\text{EVENTLOG}_n\text{_NOT_EMPTY}$ bit indicates whether the FIFO buffer is empty. When this bit is set, it indicates one or more new sets of data in the FIFO.

The $\text{EVENTLOG}_n\text{_WMARK_STS}$ bit indicates when the number of FIFO index locations available for new events reaches a configurable threshold, known as the watermark level. The watermark level is held in the $\text{EVENTLOG}_n\text{_FIFO_WMARK}$ field.

The $\text{EVENTLOG}_n\text{_FULL}$ bit indicates when the FIFO buffer is full. When this bit is set, it indicates that there are 16 sets of new event data in the FIFO. Note that this does not mean that a buffer overflow condition has occurred, but further events are not logged or indicated until the buffer has been cleared.

Note: Following a buffer full condition, the FIFO operation resumes as soon as the RPTR field has been updated to a new value. Writing the same value to RPTR does not restart the FIFO operation, even if the entire buffer contents have been read. After all of the required data has been read from the buffer, the RPTR value should be set equal to the WPTR value; an intermediate (different) value must also be written to the RPTR field in order to clear the buffer full status and restart the FIFO operation.

4.5.2.6 Interrupts, GPIO, Write Sequencer, and DSP Firmware Control

The control-write sequencer is automatically triggered whenever the NOT_EMPTY status of the event log buffer is asserted. A different control sequence may be configured for each event logger; see [Section 4.19](#) for further details.

The event log status flags are inputs to the interrupt control circuit and can be used to trigger an interrupt event when the respective FIFO condition (full, not empty, or watermark level) occurs; see [Section 4.16](#).

The event log status can be output directly on a GPIO pin as an external indication of the event logger; see [Section 4.15](#) to configure a GPIO pin for this function.

The event log NOT_EMPTY status can also be selected as a start trigger for DSP firmware execution; see [Section 4.4](#).

The NOT_EMPTY status can be used to configure a clock source for the DSP cores when DSPCLK is not enabled. This allows the DSP cores to execute firmware code while DSPCLK is absent, triggered by an event detected on one of the event loggers. See [Section 4.4.3.4](#) for further details.

4.5.2.7 Event Logger Control Registers

The event logger control registers are described in [Table 4-38](#).

Table 4-38. Event Logger (EVENTLOG n) Control

Register Address	Bit	Label	Default	Description
Event Log 1 Base Address = R294912 (0x4_8000) Event Log 2 Base Address = R295424 (0x4_8200) Event Log 3 Base Address = R295936 (0x4_8400) Event Log 4 Base Address = R296448 (0x4_8600) Event Log 5 Base Address = R296960 (0x4_8800) Event Log 6 Base Address = R297472 (0x4_8A00) Event Log 7 Base Address = R297984 (0x4_8C00) Event Log 8 Base Address = R298496 (0x4_8E00)				
base address EVENTLOG n _CONTROL	8	EVENTLOG n _FLL_AO_CLKENA	0	Event Log DSP Clock Control Configures clocking of the DSP cores if DSPCLK is disabled, according to the Event Log FIFO status. 0 = FIFO status has no effect on DSP clocking 1 = DSP cores clocked directly from FLL_AO if Event Log n FIFO is not empty
	1	EVENTLOG n _RST	0	Event Log Reset Write 1 to reset the status outputs and clear the FIFO buffer.
	0	EVENTLOG n _ENA	0	Event Log Enable 0 = Disabled 1 = Enabled
Base address +0x04 EVENTLOG n _TIMER_SEL	1:0	EVENTLOG n _TIMER_SEL[1:0]	00	Event Log Timer Source Select 00 = Timer 1 01 = Timer 2 10 = Timer 3 11 = Timer 4 Note that the event log must be disabled when updating this field
Base address +0x0C EVENTLOG n _FIFO_CONTROL1	3:0	EVENTLOG n _FIFO_WMARK[3:0]	0x1	Event Log FIFO Watermark. The watermark status output is asserted when the number of FIFO locations available for new events is less than or equal to the FIFO watermark. Valid from 0 to 15.

Table 4-38. Event Logger (EVENTLOG_n) Control (Cont.)

Register Address	Bit	Label	Default	Description
Base address +0x0E EVENTLOG _n _FIFO_ POINTER1	18	EVENTLOG _n _FULL	0	Event Log FIFO Full Status. This bit, when set, indicates that the FIFO buffer is full. It is cleared when a new value is written to the FIFO read pointer, or when the event log is Reset.
	17	EVENTLOG _n _WMARK_STS	0	Event Log FIFO Watermark Status. This bit, when set, indicates that the FIFO space available for new events to be logged is less than or equal to the watermark threshold.
	16	EVENTLOG _n _NOT_EMPTY	0	Event Log FIFO Not-Empty Status. This bit, when set, indicates one or more new sets of logged event data in the FIFO.
	11:8	EVENTLOG _n _FIFO_ WPTR[3:0]	0x0	Event Log FIFO Write Pointer. Indicates the FIFO index location in which the next event is logged. This is a read-only field.
	3:0	EVENTLOG _n _FIFO_ RPTR[3:0]	0x0	Event Log FIFO Read Pointer. Indicates the FIFO index location of the first set of unread data, if any exists. For the intended FIFO behavior, this field must be incremented after the respective data has been read.
Base address +0x20 EVENTLOG _n _CH_ENABLE	15	EVENTLOG _n _CH16_ENA	0	Event Log Channel 16 Enable 0 = Disabled, 1 = Enabled
	14	EVENTLOG _n _CH15_ENA	0	Event Log Channel 15 Enable 0 = Disabled, 1 = Enabled
	13	EVENTLOG _n _CH14_ENA	0	Event Log Channel 14 Enable 0 = Disabled, 1 = Enabled
	12	EVENTLOG _n _CH13_ENA	0	Event Log Channel 13 Enable 0 = Disabled, 1 = Enabled
	11	EVENTLOG _n _CH12_ENA	0	Event Log Channel 12 Enable 0 = Disabled, 1 = Enabled
	10	EVENTLOG _n _CH11_ENA	0	Event Log Channel 11 Enable 0 = Disabled, 1 = Enabled
	9	EVENTLOG _n _CH10_ENA	0	Event Log Channel 10 Enable 0 = Disabled, 1 = Enabled
	8	EVENTLOG _n _CH9_ENA	0	Event Log Channel 9 Enable 0 = Disabled, 1 = Enabled
	7	EVENTLOG _n _CH8_ENA	0	Event Log Channel 8 Enable 0 = Disabled, 1 = Enabled
	6	EVENTLOG _n _CH7_ENA	0	Event Log Channel 7 Enable 0 = Disabled, 1 = Enabled
	5	EVENTLOG _n _CH6_ENA	0	Event Log Channel 6 Enable 0 = Disabled, 1 = Enabled
	4	EVENTLOG _n _CH5_ENA	0	Event Log Channel 5 Enable 0 = Disabled, 1 = Enabled
	3	EVENTLOG _n _CH4_ENA	0	Event Log Channel 4 Enable 0 = Disabled, 1 = Enabled
	2	EVENTLOG _n _CH3_ENA	0	Event Log Channel 3 Enable 0 = Disabled, 1 = Enabled
	1	EVENTLOG _n _CH2_ENA	0	Event Log Channel 2 Enable 0 = Disabled, 1 = Enabled
0	EVENTLOG _n _CH1_ENA	0	Event Log Channel 1 Enable 0 = Disabled, 1 = Enabled	
Base address +0x40 EVENTLOG _n _CH1_DEFINE	15	EVENTLOG _n _CH1_DB	0	Event Log Channel 1 debounce 0 = Disabled, 1 = Enabled Note that channel must be disabled when updating this field
	14	EVENTLOG _n _CH1_POL	0	Event Log Channel 1 polarity 0 = Rising edge triggered, 1 = Falling edge triggered Note that channel must be disabled when updating this field
	8:0	EVENTLOG _n _CH1_SEL[8:0]	0x000	Event Log Channel 1 source ¹ Note that channel must be disabled when updating this field

Table 4-38. Event Logger (EVENTLOG_n) Control (Cont.)

Register Address	Bit	Label	Default	Description
Base address +0x42 EVENTLOG _n _CH2_DEFINE	15	EVENTLOG _n _CH2_DB	0	Event Log Channel 2 debounce 0 = Disabled, 1 = Enabled Note that channel must be disabled when updating this field
	14	EVENTLOG _n _CH2_POL	0	Event Log Channel 2 polarity 0 = Rising edge triggered, 1 = Falling edge triggered Note that channel must be disabled when updating this field
	8:0	EVENTLOG _n _CH2_SEL[8:0]	0x000	Event Log Channel 2 source ¹ Field description is as above.
Base address +0x44 EVENTLOG _n _CH3_DEFINE	15	EVENTLOG _n _CH3_DB	0	Event Log Channel 3 debounce 0 = Disabled, 1 = Enabled Note that channel must be disabled when updating this field
	14	EVENTLOG _n _CH3_POL	0	Event Log Channel 3 polarity 0 = Rising edge triggered, 1 = Falling edge triggered Note that channel must be disabled when updating this field
	8:0	EVENTLOG _n _CH3_SEL[8:0]	0x000	Event Log Channel 3 source ¹ Field description is as above.
Base address +0x46 EVENTLOG _n _CH4_DEFINE	15	EVENTLOG _n _CH4_DB	0	Event Log Channel 4 debounce 0 = Disabled, 1 = Enabled Note that channel must be disabled when updating this field
	14	EVENTLOG _n _CH4_POL	0	Event Log Channel 4 polarity 0 = Rising edge triggered, 1 = Falling edge triggered Note that channel must be disabled when updating this field
	8:0	EVENTLOG _n _CH4_SEL[8:0]	0x000	Event Log Channel 4 source ¹ Field description is as above.
Base address +0x48 EVENTLOG _n _CH5_DEFINE	15	EVENTLOG _n _CH5_DB	0	Event Log Channel 5 debounce 0 = Disabled, 1 = Enabled Note that channel must be disabled when updating this field
	14	EVENTLOG _n _CH5_POL	0	Event Log Channel 5 polarity 0 = Rising edge triggered, 1 = Falling edge triggered Note that channel must be disabled when updating this field
	8:0	EVENTLOG _n _CH5_SEL[8:0]	0x000	Event Log Channel 5 source ¹ Field description is as above.
Base address +0x4A EVENTLOG _n _CH6_DEFINE	15	EVENTLOG _n _CH6_DB	0	Event Log Channel 6 debounce 0 = Disabled, 1 = Enabled Note that channel must be disabled when updating this field
	14	EVENTLOG _n _CH6_POL	0	Event Log Channel 6 polarity 0 = Rising edge triggered, 1 = Falling edge triggered Note that channel must be disabled when updating this field
	8:0	EVENTLOG _n _CH6_SEL[8:0]	0x000	Event Log Channel 6 source ¹ Field description is as above.
Base address +0x4C EVENTLOG _n _CH7_DEFINE	15	EVENTLOG _n _CH7_DB	0	Event Log Channel 7 debounce 0 = Disabled, 1 = Enabled Note that channel must be disabled when updating this field
	14	EVENTLOG _n _CH7_POL	0	Event Log Channel 7 polarity 0 = Rising edge triggered, 1 = Falling edge triggered Note that channel must be disabled when updating this field
	8:0	EVENTLOG _n _CH7_SEL[8:0]	0x000	Event Log Channel 7 source ¹ Field description is as above.
Base address +0x4E EVENTLOG _n _CH8_DEFINE	15	EVENTLOG _n _CH8_DB	0	Event Log Channel 8 debounce 0 = Disabled, 1 = Enabled Note that channel must be disabled when updating this field
	14	EVENTLOG _n _CH8_POL	0	Event Log Channel 8 polarity 0 = Rising edge triggered, 1 = Falling edge triggered Note that channel must be disabled when updating this field
	8:0	EVENTLOG _n _CH8_SEL[8:0]	0x000	Event Log Channel 8 source ¹ Field description is as above.

Table 4-38. Event Logger (EVENTLOG_n) Control (Cont.)

Register Address	Bit	Label	Default	Description
Base address +0x50 EVENTLOG _n _CH9_DEFINE	15	EVENTLOG _n _CH9_DB	0	Event Log Channel 9 debounce 0 = Disabled, 1 = Enabled Note that channel must be disabled when updating this field
	14	EVENTLOG _n _CH9_POL	0	Event Log Channel 9 polarity 0 = Rising edge triggered, 1 = Falling edge triggered Note that channel must be disabled when updating this field
	8:0	EVENTLOG _n _CH9_SEL[8:0]	0x000	Event Log Channel 9 source ¹ Field description is as above.
Base address +0x52 EVENTLOG _n _CH10_DEFINE	15	EVENTLOG _n _CH10_DB	0	Event Log Channel 10 debounce 0 = Disabled, 1 = Enabled Note that channel must be disabled when updating this field
	14	EVENTLOG _n _CH10_POL	0	Event Log Channel 10 polarity 0 = Rising edge triggered, 1 = Falling edge triggered Note that channel must be disabled when updating this field
	8:0	EVENTLOG _n _CH10_SEL[8:0]	0x000	Event Log Channel 10 source ¹ Field description is as above.
Base address +0x54 EVENTLOG _n _CH11_DEFINE	15	EVENTLOG _n _CH11_DB	0	Event Log Channel 11 debounce 0 = Disabled, 1 = Enabled Note that channel must be disabled when updating this field
	14	EVENTLOG _n _CH11_POL	0	Event Log Channel 11 polarity 0 = Rising edge triggered, 1 = Falling edge triggered Note that channel must be disabled when updating this field
	8:0	EVENTLOG _n _CH11_SEL[8:0]	0x000	Event Log Channel 11 source ¹ Field description is as above.
Base address +0x56 EVENTLOG _n _CH12_DEFINE	15	EVENTLOG _n _CH12_DB	0	Event Log Channel 12 debounce 0 = Disabled, 1 = Enabled Note that channel must be disabled when updating this field
	14	EVENTLOG _n _CH12_POL	0	Event Log Channel 12 polarity 0 = Rising edge triggered, 1 = Falling edge triggered Note that channel must be disabled when updating this field
	8:0	EVENTLOG _n _CH12_SEL[8:0]	0x000	Event Log Channel 12 source ¹ Field description is as above.
Base address +0x58 EVENTLOG _n _CH13_DEFINE	15	EVENTLOG _n _CH13_DB	0	Event Log Channel 13 debounce 0 = Disabled, 1 = Enabled Note that channel must be disabled when updating this field
	14	EVENTLOG _n _CH13_POL	0	Event Log Channel 13 polarity 0 = Rising edge triggered, 1 = Falling edge triggered Note that channel must be disabled when updating this field
	8:0	EVENTLOG _n _CH13_SEL[8:0]	0x000	Event Log Channel 13 source ¹ Field description is as above.
Base address +0x5A EVENTLOG _n _CH14_DEFINE	15	EVENTLOG _n _CH14_DB	0	Event Log Channel 14 debounce 0 = Disabled, 1 = Enabled Note that channel must be disabled when updating this field
	14	EVENTLOG _n _CH14_POL	0	Event Log Channel 14 polarity 0 = Rising edge triggered, 1 = Falling edge triggered Note that channel must be disabled when updating this field
	8:0	EVENTLOG _n _CH14_SEL[8:0]	0x000	Event Log Channel 14 source ¹ Field description is as above.
Base address +0x5C EVENTLOG _n _CH15_DEFINE	15	EVENTLOG _n _CH15x_DB	0	Event Log Channel 15 debounce 0 = Disabled, 1 = Enabled Note that channel must be disabled when updating this field
	14	EVENTLOG _n _CH15_POL	0	Event Log Channel 15 polarity 0 = Rising edge triggered, 1 = Falling edge triggered Note that channel must be disabled when updating this field
	8:0	EVENTLOG _n _CH15_SEL[8:0]	0x000	Event Log Channel 15 source ¹ Field description is as above.

Table 4-38. Event Logger (EVENTLOG_n) Control (Cont.)

Register Address	Bit	Label	Default	Description
Base address +0x5E EVENTLOG _n _CH16_ DEFINE	15	EVENTLOG _n _CH16_DB	0	Event Log Channel 16 debounce 0 = Disabled, 1 = Enabled Note that channel must be disabled when updating this field
	14	EVENTLOG _n _CH16_POL	0	Event Log Channel 16 polarity 0 = Rising edge triggered, 1 = Falling edge triggered Note that channel must be disabled when updating this field
	8:0	EVENTLOG _n _CH16_SEL[8:0]	0x000	Event Log Channel 16 source ¹ Field description is as above.
Base address +0x80 EVENTLOG _n _FIFO0_READ	12	EVENTLOG _n _FIFO0_POL	0	Event Log FIFO Index 0 polarity 0 = Rising edge, 1 = Falling edge
	8:0	EVENTLOG _n _FIFO0_ID[8:0]	0x000	Event Log FIFO Index 0 source ¹
Base address +0x82 EVENTLOG _n _FIFO0_TIME	31:0	EVENTLOG _n _FIFO0_ TIME[31:0]	0x0000 _0000	Event Log FIFO Index 0 Time
Base address +0x84 EVENTLOG _n _FIFO1_READ	12	EVENTLOG _n _FIFO1_POL	0	Event Log FIFO Index 1 polarity 0 = Rising edge, 1 = Falling edge
	8:0	EVENTLOG _n _FIFO1_ID[8:0]	0x000	Event Log FIFO Index 1 source ¹
Base address +0x86 EVENTLOG _n _FIFO1_TIME	31:0	EVENTLOG _n _FIFO1_ TIME[31:0]	0x0000 _0000	Event Log FIFO Index 1 Time
Base address +0x88 EVENTLOG _n _FIFO2_READ	12	EVENTLOG _n _FIFO2_POL	0	Event Log FIFO Index 2 polarity 0 = Rising edge, 1 = Falling edge
	8:0	EVENTLOG _n _FIFO2_ID[8:0]	0x000	Event Log FIFO Index 2 source ¹
Base address +0x8A EVENTLOG _n _FIFO2_TIME	31:0	EVENTLOG _n _FIFO2_ TIME[31:0]	0x0000 _0000	Event Log FIFO Index 2 Time
Base address +0x8C EVENTLOG _n _FIFO3_READ	12	EVENTLOG _n _FIFO3_POL	0	Event Log FIFO Index 3 polarity 0 = Rising edge, 1 = Falling edge
	8:0	EVENTLOG _n _FIFO3_ID[8:0]	0x000	Event Log FIFO Index 3 source ¹
Base address +0x8E EVENTLOG _n _FIFO3_TIME	31:0	EVENTLOG _n _FIFO3_ TIME[31:0]	0x0000 _0000	Event Log FIFO Index 3 Time
Base address +0x90 EVENTLOG _n _FIFO4_READ	12	EVENTLOG _n _FIFO4_POL	0	Event Log FIFO Index 4 polarity 0 = Rising edge, 1 = Falling edge
	8:0	EVENTLOG _n _FIFO4_ID[8:0]	0x000	Event Log FIFO Index 4 source ¹
Base address +0x92 EVENTLOG _n _FIFO4_TIME	31:0	EVENTLOG _n _FIFO4_ TIME[31:0]	0x0000 _0000	Event Log FIFO Index 4 Time
Base address +0x94 EVENTLOG _n _FIFO5_READ	12	EVENTLOG _n _FIFO5_POL	0	Event Log FIFO Index 5 polarity Field description is as above.
	8:0	EVENTLOG _n _FIFO5_ID[8:0]	0x000	Event Log FIFO Index 5 source ¹
Base address +0x96 EVENTLOG _n _FIFO5_TIME	31:0	EVENTLOG _n _FIFO5_ TIME[31:0]	0x0000 _0000	Event Log FIFO Index 5 Time
Base address +0x98 EVENTLOG _n _FIFO6_READ	12	EVENTLOG _n _FIFO6_POL	0	Event Log FIFO Index 6 polarity 0 = Rising edge, 1 = Falling edge
	8:0	EVENTLOG _n _FIFO6_ID[8:0]	0x000	Event Log FIFO Index 6 source ¹
Base address +0x9A EVENTLOG _n _FIFO6_TIME	31:0	EVENTLOG _n _FIFO6_ TIME[31:0]	0x0000 _0000	Event Log FIFO Index 6 Time
Base address +0x9C EVENTLOG _n _FIFO7_READ	12	EVENTLOG _n _FIFO7_POL	0	Event Log FIFO Index 7 polarity 0 = Rising edge, 1 = Falling edge
	8:0	EVENTLOG _n _FIFO7_ID[8:0]	0x000	Event Log FIFO Index 7 source ¹
Base address +0x9E EVENTLOG _n _FIFO7_TIME	31:0	EVENTLOG _n _FIFO7_ TIME[31:0]	0x0000 _0000	Event Log FIFO Index 7 Time
Base address +0xA0 EVENTLOG _n _FIFO8_READ	12	EVENTLOG _n _FIFO8_POL	0	Event Log FIFO Index 8 polarity 0 = Rising edge, 1 = Falling edge
	8:0	EVENTLOG _n _FIFO8_ID[8:0]	0x000	Event Log FIFO Index 8 source ¹
Base address +0xA2 EVENTLOG _n _FIFO8_TIME	31:0	EVENTLOG _n _FIFO8_ TIME[31:0]	0x0000 _0000	Event Log FIFO Index 8 Time
Base address +0xA4 EVENTLOG _n _FIFO9_READ	12	EVENTLOG _n _FIFO9_POL	0	Event Log FIFO Index 9 polarity 0 = Rising edge, 1 = Falling edge
	8:0	EVENTLOG _n _FIFO9_ID[8:0]	0x000	Event Log FIFO Index 9 source ¹

Table 4-38. Event Logger (EVENTLOG_n) Control (Cont.)

Register Address	Bit	Label	Default	Description
Base address +0xA6 EVENTLOG _n _FIFO9_TIME	31:0	EVENTLOG _n _FIFO9_TIME[31:0]	0x0000_0000	Event Log FIFO Index 9 Time
Base address +0xA8 EVENTLOG _n _FIFO10_READ	12	EVENTLOG _n _FIFO10_POL	0	Event Log FIFO Index 10 polarity 0 = Rising edge, 1 = Falling edge
	8:0	EVENTLOG _n _FIFO10_ID[8:0]	0x0000	Event Log FIFO Index 10 source ¹
Base address +0xAA EVENTLOG _n _FIFO10_TIME	31:0	EVENTLOG _n _FIFO10_TIME[31:0]	0x0000_0000	Event Log FIFO Index 10 Time
Base address +0xAC EVENTLOG _n _FIFO11_READ	12	EVENTLOG _n _FIFO11_POL	0	Event Log FIFO Index 11 polarity 0 = Rising edge, 1 = Falling edge
	8:0	EVENTLOG _n _FIFO11_ID[8:0]	0x0000	Event Log FIFO Index 11 source ¹
Base address +0xAE EVENTLOG _n _FIFO11_TIME	31:0	EVENTLOG _n _FIFO11_TIME[31:0]	0x0000_0000	Event Log FIFO Index 11 Time
Base address +0xB0 EVENTLOG _n _FIFO12_READ	12	EVENTLOG _n _FIFO12_POL	0	Event Log FIFO Index 12 polarity 0 = Rising edge, 1 = Falling edge
	8:0	EVENTLOG _n _FIFO12_ID[8:0]	0x0000	Event Log FIFO Index 12 source ¹
Base address +0xB2 EVENTLOG _n _FIFO12_TIME	31:0	EVENTLOG _n _FIFO12_TIME[31:0]	0x0000_0000	Event Log FIFO Index 12 Time
Base address +0xB4 EVENTLOG _n _FIFO13_READ	12	EVENTLOG _n _FIFO13_POL	0	Event Log FIFO Index 13 polarity 0 = Rising edge, 1 = Falling edge
	8:0	EVENTLOG _n _FIFO13_ID[8:0]	0x0000	Event Log FIFO Index 13 source ¹
Base address +0xB6 EVENTLOG _n _FIFO13_TIME	31:0	EVENTLOG _n _FIFO13_TIME[31:0]	0x0000_0000	Event Log FIFO Index 13 Time
Base address +0xB8 EVENTLOG _n _FIFO14_READ	12	EVENTLOG _n _FIFO14_POL	0	Event Log FIFO Index 14 polarity 0 = Rising edge, 1 = Falling edge
	8:0	EVENTLOG _n _FIFO14_ID[8:0]	0x0000	Event Log FIFO Index 14 source ¹
Base address +0xBA EVENTLOG _n _FIFO14_TIME	31:0	EVENTLOG _n _FIFO14_TIME[31:0]	0x0000_0000	Event Log FIFO Index 14 Time
Base address +0xBC EVENTLOG _n _FIFO15_READ	12	EVENTLOG _n _FIFO15_POL	0	Event Log FIFO Index 15 polarity 0 = Rising edge, 1 = Falling edge
	8:0	EVENTLOG _n _FIFO15_ID[8:0]	0x0000	Event Log FIFO Index 15 source ¹
Base address +0xBE EVENTLOG _n _FIFO15_TIME	31:0	EVENTLOG _n _FIFO15_TIME[31:0]	0x0000_0000	Event Log FIFO Index 15 Time

1. See [Table 4-39](#) for valid channel source selections

4.5.2.8 Event Logger Input Sources

A list of the valid input sources for the event loggers is provided in [Table 4-39](#).

The EDGE type noted is coded as *S* (single edge) or *D* (dual edge). Note that a single-edge input source only provides valid input to the event logger in the default (rising edge triggered) polarity.

Take care when enabling IRQ1 or IRQ2 as an input source for the event loggers; a recursive loop, where the IRQ_n signal is also an output from the same event logger, must be avoided.

Table 4-39. Event Logger Input Sources

ID	Description	Edge	ID	Description	Edge	ID	Description	Edge
3	irq1	D	261	gpio6	D	368	event1_wmark	S
4	irq2	D	262	gpio7	D	369	event2_wmark	S
9	sysclk_fail	S	263	gpio8	D	370	event3_wmark	S
24	fl1_lock	D	264	gpio9	D	371	event4_wmark	S
25	fl2_lock	D	265	gpio10	D	372	event5_wmark	S
27	fl_ao_lock	D	266	gpio11	D	373	event6_wmark	S
28	sysclk_err	D	267	gpio12	D	374	event7_wmark	S
29	asynclk_err	D	268	gpio13	D	375	event8_wmark	S
30	dspclk_err	D	269	gpio14	D	384	dsp1_dma	S
32	frame_start_g1r1	S	270	gpio15	D	385	dsp2_dma	S

Table 4-39. Event Logger Input Sources (Cont.)

ID	Description	Edge	ID	Description	Edge	ID	Description	Edge
33	frame_start_g1r2	S	271	gpio16	D	386	dsp3_dma	S
34	frame_start_g1r3	S	272	gpio17	D	387	dsp4_dma	S
40	frame_start_g2r1_sys	S	273	gpio18	D	388	dsp5_dma	S
41	frame_start_g2r2_sys	S	274	gpio19	D	389	dsp6_dma	S
80	hpdet	S	275	gpio20	D	390	dsp7_dma	S
88	micdet1	S	276	gpio21	D	416	dsp1_start1	S
89	micdet2	S	277	gpio22	D	417	dsp2_start1	S
96	jd1_rise	S	278	gpio23	D	418	dsp3_start1	S
97	jd1_fall	S	279	gpio24	D	419	dsp4_start1	S
98	jd2_rise	S	280	gpio25	D	420	dsp5_start1	S
99	jd2_fall	S	281	gpio26	D	421	dsp6_start1	S
100	micd_clamp_rise	S	282	gpio27	D	422	dsp7_start1	S
101	micd_clamp_fall	S	283	gpio28	D	432	dsp1_start2	S
128	drc1_sig_det	D	284	gpio29	D	433	dsp2_start2	S
129	drc2_sig_det	D	285	gpio30	D	434	dsp3_start2	S
130	inputs_sig_det	D	286	gpio31	D	435	dsp4_start2	S
136	asrc1_in1_lock	D	287	gpio32	D	436	dsp5_start2	S
137	asrc1_in2_lock	D	288	gpio33	D	437	dsp6_start2	S
138	asrc2_in1_lock	D	289	gpio34	D	438	dsp7_start2	S
139	asrc2_in2_lock	D	290	gpio35	D	448	dsp1_start	S
160	dsp_irq1	S	291	gpio36	D	449	dsp2_start	S
161	dsp_irq2	S	292	gpio37	D	450	dsp3_start	S
162	dsp_irq3	S	293	gpio38	D	451	dsp4_start	S
163	dsp_irq4	S	320	Timer1	S	452	dsp5_start	S
164	dsp_irq5	S	321	Timer2	S	453	dsp6_start	S
165	dsp_irq6	S	322	Timer3	S	454	dsp7_start	S
166	dsp_irq7	S	323	Timer4	S	464	dsp1_busy	D
167	dsp_irq8	S	324	Timer5	S	465	dsp2_busy	D
168	dsp_irq9	S	325	Timer6	S	466	dsp3_busy	D
169	dsp_irq10	S	326	Timer7	S	467	dsp4_busy	D
170	dsp_irq11	S	327	Timer8	S	468	dsp5_busy	D
171	dsp_irq12	S	336	event1_not_empty	S	469	dsp6_busy	D
172	dsp_irq13	S	337	event2_not_empty	S	470	dsp7_busy	D
173	dsp_irq14	S	338	event3_not_empty	S	480	mif1_done	S
174	dsp_irq15	S	339	event4_not_empty	S	481	mif2_done	S
175	dsp_irq16	S	340	event5_not_empty	S	482	mif3_done	S
176	hp1l_sc	S	341	event6_not_empty	S	496	mif1_block	S
177	hp1r_sc	S	342	event7_not_empty	S	497	mif2_block	S
178	hp2l_sc	S	343	event8_not_empty	S	498	mif3_block	S
179	hp2r_sc	S	352	event1_full	S	512	dsp1_bus_err	S
180	hp3l_sc	S	353	event2_full	S	513	dsp2_bus_err	S
181	hp3r_sc	S	354	event3_full	S	514	dsp3_bus_err	S
256	gpio1	D	355	event4_full	S	515	dsp4_bus_err	S
257	gpio2	D	356	event5_full	S	516	dsp5_bus_err	S
258	gpio3	D	357	event6_full	S	517	dsp6_bus_err	S
259	gpio4	D	358	event7_full	S	518	dsp7_bus_err	S
260	gpio5	D	359	event8_full	S			

4.5.3 General-Purpose Timers

The CS47L90 incorporates eight general-purpose timers, which support a wide variety of uses. In particular, these timers provide essential support for the sensor-hub capability.

4.5.3.1 Overview

The timers allow time-stamp information to be associated with external sensor activity, and other system events, enabling real-time data to be more easily integrated into user applications. The timers allow many advanced functions to be implemented with a high degree of autonomy from a host processor.

The timers can use either internal system clocks, or external clock signals, as a reference. The selected reference is scaled down, using configurable dividers, to the required clock count frequency.

4.5.3.2 Timer Control

The reference clock for each timer is selected using `TIMERn_REFCLK_SRC`, (where *n* identifies the applicable timer, 1–8).

If `SYSCLK`, `ASYNCCLK`, or `DSPCLK` is selected, a lower clock frequency, derived from the applicable system clock, can be selected using the `TIMERn_REFCLK_FREQ_SEL` field (for `SYSCLK` or `ASYNCCLK` source) or the `TIMERn_DSPCLK_FREQ_SEL` field (for `DSPCLK` source). The applicable division ratio is determined automatically, assuming the respective clock source has been correctly configured as described in [Section 4.17](#).

Note that, depending on the `DSPCLK` frequency and the available clock dividers, the timer reference clock may differ from the selected clock if `DSPCLK` is the selected source. In most cases, the reference clock frequency equals or exceeds the requested frequency. A lower frequency is implemented if limited by either the `DSPCLK` frequency or the maximum `TIMERn` clocking frequency.

If any source other than `DSPCLK` is selected, the clock can be further divided using `TIMERn_REFCLK_DIV`. Division ratios in the range 1 to 128 can be selected.

Note that, if `DSPCLK` is enabled, the CS47L90 synchronizes the selected reference clock to `DSPCLK`. As a result of this, if a non-`DSPCLK` is selected as source, the following additional constraints must be observed: the reference clock frequency (after `TIMERn_REFCLK_FREQ_SEL` and after `TIMERn_REFCLK_DIV`) must be less than `DSPCLK / 3`, and must be less than 12 MHz; it must also be close to 50% duty cycle. The `TIMERn_REFCLK_DIV` field can be used to ensure that these criteria are met.

One final division, controlled by `TIMERn_PRESCALE`, determines the timer count frequency. This field is valid for all clock reference sources; division ratios in the range 1 to 128 can be selected. The output from this division corresponds to the frequency at which the `TIMERn_COUNT` fields are incremented (or decremented).

The maximum count value of the timer is determined by the `TIMERn_MAX_COUNT` field. This is the final count value (when counting up), or the initial count value (when counting down). The current value of the timer counter can be read from the `TIMERn_CUR_COUNT` field.

The timer is started by writing 1 to `TIMERn_START`. Note that, if the timer is already running, it restarts from its initial value. The timer is stopped by writing 1 to `TIMERn_STOP`. The count direction (up or down) is selected using the `TIMERn_DIR` bit.

The `TIMERn_CONTINUOUS` bit selects whether the timer automatically restarts after the end-of-count condition has been reached. The `TIMERn_RUNNING_STS` indicates whether the timer is running, or if it has stopped.

Note that the timers should be stopped before making any changes to the respective configuration registers. The timer configuration should only be changed if `TIMERn_RUNNING_STS = 0`.

4.5.3.3 Interrupts and GPIO Output

The timer status is an input to the interrupt control circuit and can be used to trigger an interrupt event after the final count value is reached; see [Section 4.16](#). Note that the interrupt does not occur immediately when the final count value is reached; the interrupt is triggered at the point when the next update to the timer count value would be due.

The timer status can be output directly on a GPIO pin as an external indication of the timer activity. See [Section 4.15](#) to configure a GPIO pin for this function.

4.5.3.4 Timer Block Diagram and Control Registers

The timer block is shown in [Fig. 4-34](#).

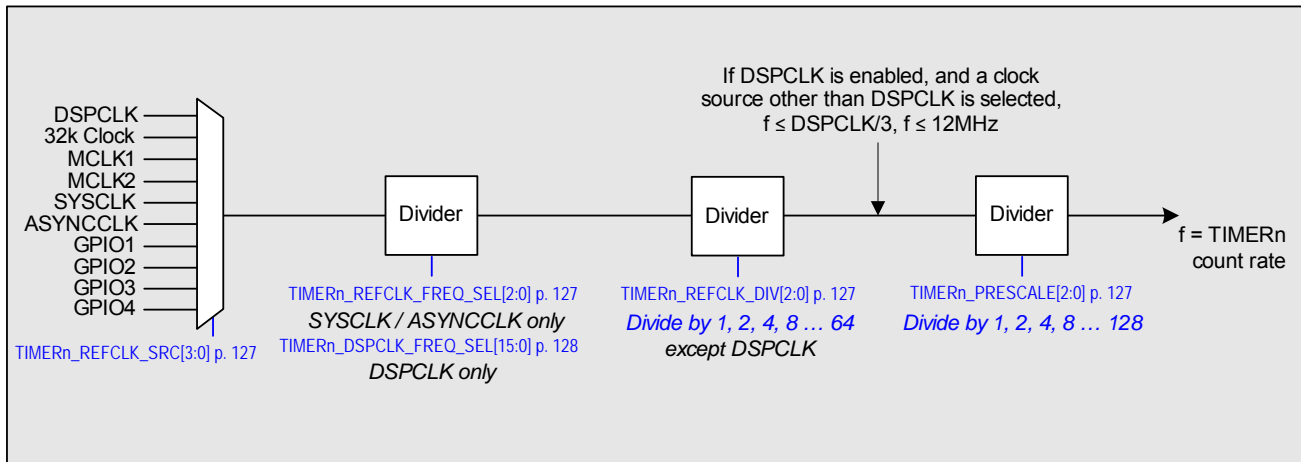


Figure 4-34. General-Purpose Timer

The timer control registers are described in [Table 4-40](#).

Table 4-40. General-Purpose Timer (TIMER_n) Control

Register Address	Bit	Label	Default	Description
Timer 1 Base Address = R311296 (0x4_C000) Timer 2 Base Address = R311424 (0x4_C080) Timer 3 Base Address = R311552 (0x4_C100) Timer 4 Base Address = R311680 (0x4_C180) Timer 5 Base Address = R311808 (0x4_C200) Timer 6 Base Address = R311936 (0x4_C280) Timer 7 Base Address = R312064 (0x4_C300) Timer 8 Base Address = R312192 (0x4_C380)				
Base address +0x02 Timer _n _Control Base address +0x06 Timer _n _Start_ and_Stop	21	TIMER _n _CONTINUOUS	0	Timer Continuous Mode select 0 = Single mode 1 = Continuous mode Timer must be stopped (TIMER _n _RUNNING_STS = 0) when updating this field
	20	TIMER _n _DIR	0	Timer Count Direction 0 = Down 1 = Up Timer must be stopped (TIMER _n _RUNNING_STS = 0) when updating this field
	18:16	TIMER _n _PRESCALE[2:0]	000	Timer Count Rate Prescale 000 = Divide by 1 011 = Divide by 8 110 = Divide by 64 001 = Divide by 2 100 = Divide by 16 111 = Divide by 128 010 = Divide by 4 101 = Divide by 32 Timer must be stopped (TIMER _n _RUNNING_STS = 0) when updating this field
	14:12	TIMER _n _REFCLK_DIV[2:0]	000	Timer Reference Clock Divide (Not valid for DSPCLK source). 000 = Divide by 1 011 = Divide by 8 110 = Divide by 64 001 = Divide by 2 100 = Divide by 16 111 = Divide by 128 010 = Divide by 4 101 = Divide by 32 If DSPCLK is enabled, and DSPCLK is not selected as source, the output frequency from this divider must be set less than or equal to DSPCLK / 3, and less than or equal to 12 MHz. If DSPCLK is disabled, the output of this divider is used as clock reference for any associated event logger. In this case, the divider output corresponds to the frequency of event logging opportunities on the respective modules. Timer must be stopped (TIMER _n _RUNNING_STS = 0) when updating this field
	10:8	TIMER _n _REFCLK_FREQ_SEL[2:0]	000	Timer Reference Frequency Select (SYSCLK or ASYNCCLK source) 000 = 6.144 MHz (5.6448 MHz) 001 = 12.288 MHz (11.2896 MHz) 010 = 24.576 MHz (22.5792 MHz) 011 = 49.152 MHz (45.1584 MHz) All other codes are reserved. The selected frequency must be less than or equal to the frequency of the source. Timer must be stopped (TIMER _n _RUNNING_STS = 0) when updating this field.
	3:0	TIMER _n _REFCLK_SRC[3:0]	0000	Timer Reference Source Select. Timer must be stopped (TIMER _n _RUNNING_STS=0) when updating this field. Codes not listed are reserved. 0000 = DSPCLK 1000 = SYSCLK 1110 = GPIO3 0001 = 32-kHz clock 1001 = ASYNCCLK 1111 = GPIO4 0100 = MCLK1 1100 = GPIO1 0101 = MCLK2 1101 = GPIO2
31:0	TIMER _n _MAX_COUNT[31:0]	0x0000_0000	Timer Maximum Count. Final count value (when counting up). Starting count value (when counting down). Timer must be stopped (TIMER _n _RUNNING_STS = 0) when updating this field.	
4	TIMER _n _STOP	0	Timer Stop Control Write 1 to stop.	
0	TIMER _n _START	0	Timer Start Control Write 1 to start. If the timer is already running, it restarts from its initial value.	

Table 4-40. General-Purpose Timer (TIMER_n) Control (Cont.)

Register Address	Bit	Label	Default	Description
Base address +0x08 Timer _n _Status	0	TIMER _n _RUNNING_STS	0	Timer Running Status 0 = Timer stopped 1 = Timer running
Base address +0x0A Timer _n _Count_Readback	31:0	TIMER _n _CUR_COUNT[31:0]	0x0000	Timer Current Count value
Base address +0x0C Timer _n _DSP_Clock_Config	15:0	TIMER _n _DSPCLK_FREQ_SEL[15:0]	0x0000	Timer Reference Frequency Select (DSPCLK source) Coded as LSB = 1/64 MHz, Valid from 5.6 MHz to 148 MHz. The timer reference frequency must be less than or equal to the DSPCLK frequency. The timer reference is generated by division of DSPCLK, and may differ from the selected frequency. The timer reference frequency can be read from TIMER _n _DSPCLK_FREQ_STS. Timer must be stopped (TIMER _n _RUNNING_STS=0) when updating this field.
Base address +0x0E Timer _n _DSP_Clock_Status	15:0	TIMER _n _DSPCLK_FREQ_STS[15:0]	0x0000	Timer Reference Frequency (Read only) Only valid when DSPCLK is the selected clock source. Coded as LSB = 1/64 MHz.

4.5.4 DSP GPIO

The DSP GPIO function provides an advanced I/O capability, supporting the requirements of the CS47L90 as a multipurpose sensor hub.

4.5.4.1 Overview

The CS47L90 supports up to 38 GPIO pins, which can be assigned to application-specific functions. There are 8 dedicated GPIO pins; the remaining 30 GPIOs are implemented as alternate functions to a pin-specific capability.

The GPIOs can be used to provide status outputs and control signals to external hardware; the supported functions include interrupt output, FLL clock output, accessory detection status, and S/PDIF or PWM-coded audio channels; see [Section 4.15](#).

The GPIOs can support miscellaneous logic input and output, interfacing directly with the integrated DSPs, or with the host application software. A basic level of I/O functionality is described in [Section 4.15](#), under the configuration where GP_n_FN = 0x001. The GP_n_FN field selects the functionality for the respective pin, GPIO_n.

The DSP GPIO pins are accessed using maskable sets of I/O control registers; this allows the selected combinations of GPIOs to be controlled with ease, regardless of how the allocation of GPIO pins has been implemented in hardware. In a typical use case, one GPIO mask is defined for each DSP, or for each functional process; this provides a highly efficient mechanism for each DSP to independently access the respective input and output signals.

4.5.4.2 DSP GPIO Control

The DSP GPIO function is selected by setting GP_n_FN = 0x002 for the respective GPIO pin (where *n* identifies the applicable GPIO_n pin).

Each DSP GPIO is controlled using bits that determine the direction (input/output) and the logic state (0/1) of the pin. These bits are replicated in eight control sets; each which can determine the logic level of any DSP GPIO.

Mask bits are provided within each control set, to determine which of the control sets has control of each DSP GPIO. To avoid logic contention, a DSP GPIO output must be controlled (unmasked) in a maximum of one control set at any time.

Note that write access to the direction control bits (DSPGP_n_SET_x_DIR) and level control bits (DSPGP_n_SET_x_LVL) is only valid when the channel (DSPGP_n) is unmasked in the respective control set. Writes to these fields are implemented for the unmasked DSP GPIOs, and are ignored in respect of the masked DSP GPIOs. Note that the level control bits (DSPGP_n_SET_x_LVL) provide output level control only—they cannot be used to read the status of DSP GPIO inputs.

The logic level of the unmasked DSP GPIO outputs in any control set can be configured using a single register write. (GPIOs 1 to 32 are set in a single operation; a separate write is required for GPIOs 33 to 38.) Writing to the output level control registers determines the logic level of the unmasked DSP GPIOs in that set only; all other outputs are unaffected.

DSP GPIO status bits are provided, indicating the logic level of every input or output pin that is configured as a DSP GPIO. The DSPGP n _STS bits also provide logic-level indication for any pin that is configured as a GPIO input, with GP n _FN = 0x001. Note that there is only one set of DSP GPIO status bits.

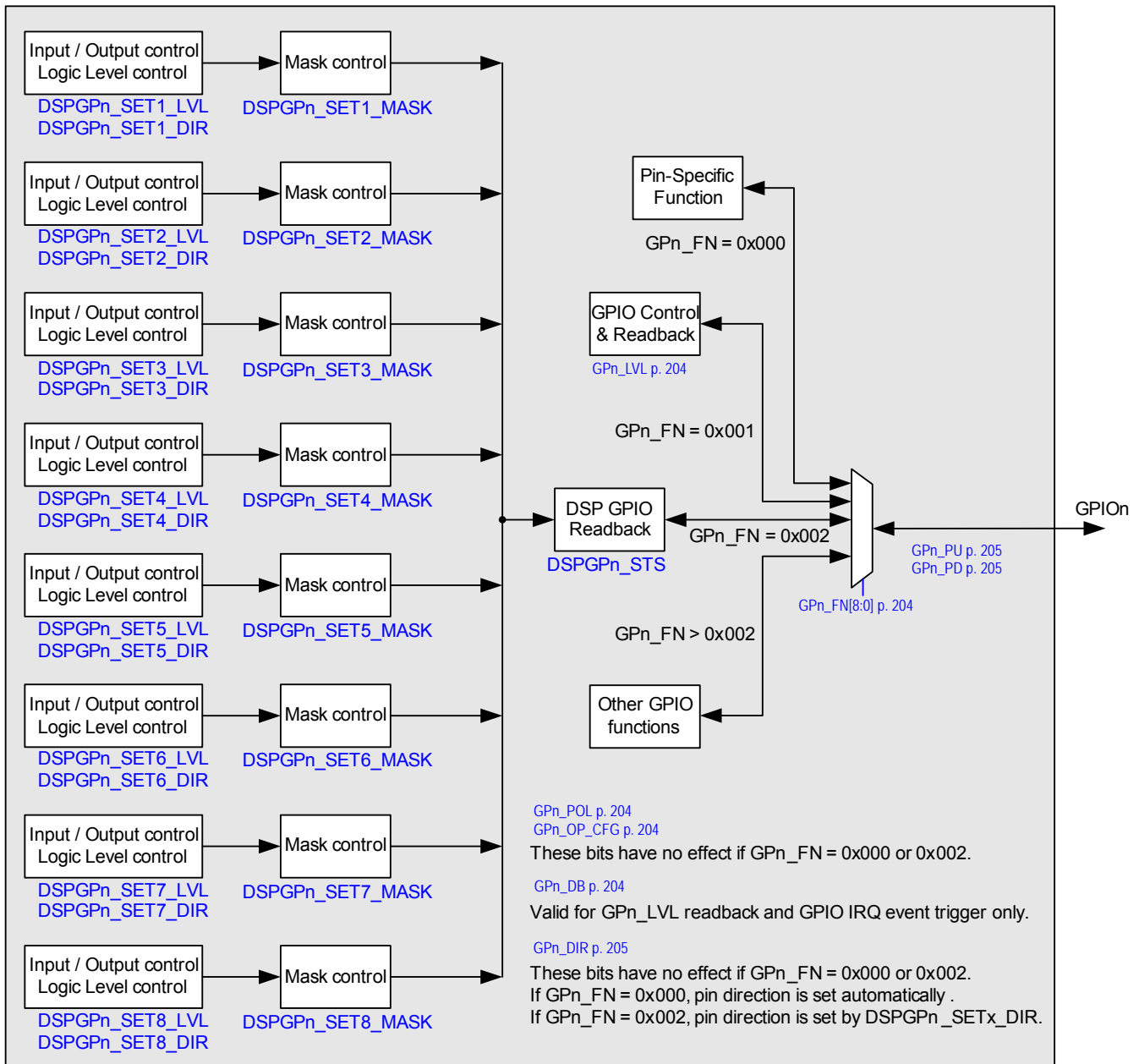
The status bits indicate the logic level of the DSP GPIO outputs. The respective pins are driven as outputs if configured as a DSP GPIO output, and unmasked in one of the control sets. Note that a DSP GPIO continues to be driven as an output, even if the mask bit is subsequently asserted in that set. The pin only ceases to be driven if it is configured as a DSP GPIO input and is unmasked in one of the control sets, or if the pin is configured as an input under a different GP n _FN field selection.

4.5.4.3 Common Functions to Standard GPIOs

The DSP GPIO functions are implemented alongside the standard GPIO capability, providing an alternative method of maskable I/O control for all of the GPIO pins. The DSP GPIO control bits in the register map are implemented in a manner that supports efficient read/write access for multiple GPIOs at once.

The DSP GPIO logic is shown in [Fig. 4-35](#), which also shows the control fields relating to the standard GPIO.

The DSP GPIO function is selected by setting GP n _FN = 0x002 for the respective GPIO pin. Integrated pull-up and pull-down resistors are provided on each GPIO pin, which are also valid for DSP GPIO function. A bus keeper function is supported on the GPIO pins; this is enabled using the respective pull-up and pull-down control bits. The bus keeper function holds the logic level unchanged whenever the pin is undriven (e.g., if the signal is tristated). See [Table 4-99](#) for details of the GPIO pull-up and pull-down control bits.

4.5.4.4 DSP GPIO Block Diagram and Control Registers

Figure 4-35. DSP GPIO Control

The control registers associated with the DSP GPIO are described in [Table 4-41](#).

Table 4-41. DSP GPIO Control

Register Address	Bit	Label	Default	Description
R315392 (0x4_D000) DSPGP_Status_1	31	DSPGP32_STS	0	DSPGP32 Status Valid for DSPGP input and output
	30	DSPGP31_STS	0	DSPGP31 Status
	29	DSPGP30_STS	0	DSPGP30 Status
	28	DSPGP29_STS	0	DSPGP29 Status
	27	DSPGP28_STS	0	DSPGP28 Status
	26	DSPGP27_STS	0	DSPGP27 Status
	25	DSPGP26_STS	0	DSPGP26 Status
	24	DSPGP25_STS	0	DSPGP25 Status
	23	DSPGP24_STS	0	DSPGP24 Status
	22	DSPGP23_STS	0	DSPGP23 Status
	21	DSPGP22_STS	0	DSPGP22 Status
	20	DSPGP21_STS	0	DSPGP21 Status
	19	DSPGP20_STS	0	DSPGP20 Status
	18	DSPGP19_STS	0	DSPGP19 Status
	17	DSPGP18_STS	0	DSPGP18 Status
	16	DSPGP17_STS	0	DSPGP17 Status
	15	DSPGP16_STS	0	DSPGP16 Status
	14	DSPGP15_STS	0	DSPGP15 Status
	13	DSPGP14_STS	0	DSPGP14 Status
	12	DSPGP13_STS	0	DSPGP13 Status
	11	DSPGP12_STS	0	DSPGP12 Status
	10	DSPGP11_STS	0	DSPGP11 Status
	9	DSPGP10_STS	0	DSPGP10 Status
	8	DSPGP9_STS	0	DSPGP9 Status
	7	DSPGP8_STS	0	DSPGP8 Status
	6	DSPGP7_STS	0	DSPGP7 Status
	5	DSPGP6_STS	0	DSPGP6 Status
	4	DSPGP5_STS	0	DSPGP5 Status
	3	DSPGP4_STS	0	DSPGP4 Status
	2	DSPGP3_STS	0	DSPGP3 Status
	1	DSPGP2_STS	0	DSPGP2 Status
0	DSPGP1_STS	0	DSPGP1 Status	
R315394 (0x4_D002) DSPGP_Status_2	5	DSPGP38_STS	0	DSPGP38 Status
	4	DSPGP37_STS	0	DSPGP37 Status
	3	DSPGP36_STS	0	DSPGP36 Status
	2	DSPGP35_STS	0	DSPGP35 Status
	1	DSPGP34_STS	0	DSPGP34 Status
	0	DSPGP33_STS	0	DSPGP33 Status

Table 4-41. DSP GPIO Control (Cont.)

Register Address	Bit	Label	Default	Description
R315424 (0x4_D020) DSPGP_SET1_Mask_1	31	DSPGP32_SETn_MASK	1	DSP SETn GPIO32 Mask Control 0 = Unmasked 1 = Masked A GPIO pin should be unmasked in a maximum of one SET at any time.
R315456 (0x4_D040) DSPGP_SET2_Mask_1				
R315488 (0x4_D060) DSPGP_SET3_Mask_1	30	DSPGP31_SETn_MASK	1	DSP SETn GPIO31 Mask Control
R315520 (0x4_D080) DSPGP_SET4_Mask_1	29	DSPGP30_SETn_MASK	1	DSP SETn GPIO30 Mask Control
R315552 (0x4_D0A0) DSPGP_SET5_Mask_1	28	DSPGP29_SETn_MASK	1	DSP SETn GPIO29 Mask Control
R315584 (0x4_D0C0) DSPGP_SET6_Mask_1	27	DSPGP28_SETn_MASK	1	DSP SETn GPIO28 Mask Control
R315616 (0x4_D0E0) DSPGP_SET7_Mask_1	26	DSPGP27_SETn_MASK	1	DSP SETn GPIO27 Mask Control
R315648 (0x4_D100) DSPGP_SET8_Mask_1	25	DSPGP26_SETn_MASK	1	DSP SETn GPIO26 Mask Control
	24	DSPGP25_SETn_MASK	1	DSP SETn GPIO25 Mask Control
	23	DSPGP24_SETn_MASK	1	DSP SETn GPIO24 Mask Control
	22	DSPGP23_SETn_MASK	1	DSP SETn GPIO23 Mask Control
	21	DSPGP22_SETn_MASK	1	DSP SETn GPIO22 Mask Control
	20	DSPGP21_SETn_MASK	1	DSP SETn GPIO21 Mask Control
	19	DSPGP20_SETn_MASK	1	DSP SETn GPIO20 Mask Control
	18	DSPGP19_SETn_MASK	1	DSP SETn GPIO19 Mask Control
	17	DSPGP18_SETn_MASK	1	DSP SETn GPIO18 Mask Control
	16	DSPGP17_SETn_MASK	1	DSP SETn GPIO17 Mask Control
	15	DSPGP16_SETn_MASK	1	DSP SETn GPIO16 Mask Control
	14	DSPGP15_SETn_MASK	1	DSP SETn GPIO15 Mask Control
	13	DSPGP14_SETn_MASK	1	DSP SETn GPIO14 Mask Control
	12	DSPGP13_SETn_MASK	1	DSP SETn GPIO13 Mask Control
	11	DSPGP12_SETn_MASK	1	DSP SETn GPIO12 Mask Control
	10	DSPGP11_SETn_MASK	1	DSP SETn GPIO11 Mask Control
	9	DSPGP10_SETn_MASK	1	DSP SETn GPIO10 Mask Control
	8	DSPGP9_SETn_MASK	1	DSP SETn GPIO9 Mask Control
	7	DSPGP8_SETn_MASK	1	DSP SETn GPIO8 Mask Control
	6	DSPGP7_SETn_MASK	1	DSP SETn GPIO7 Mask Control
	5	DSPGP6_SETn_MASK	1	DSP SETn GPIO6 Mask Control
	4	DSPGP5_SETn_MASK	1	DSP SETn GPIO5 Mask Control
	3	DSPGP4_SETn_MASK	1	DSP SETn GPIO4 Mask Control
	2	DSPGP3_SETn_MASK	1	DSP SETn GPIO3 Mask Control
	1	DSPGP2_SETn_MASK	1	DSP SETn GPIO2 Mask Control
	0	DSPGP1_SETn_MASK	1	DSP SETn GPIO1 Mask Control
R315426 (0x4_D022) DSPGP_SET1_Mask_2	5	DSPGP38_SETn_MASK	1	DSP SETn GPIO38 Mask Control
R315458 (0x4_D042) DSPGP_SET2_Mask_2	4	DSPGP37_SETn_MASK	1	DSP SETn GPIO37 Mask Control
R315490 (0x4_D062) DSPGP_SET3_Mask_2	3	DSPGP36_SETn_MASK	1	DSP SETn GPIO36 Mask Control
R315522 (0x4_D082) DSPGP_SET4_Mask_2	2	DSPGP35_SETn_MASK	1	DSP SETn GPIO35 Mask Control
R315554 (0x4_D0A2) DSPGP_SET5_Mask_2	1	DSPGP34_SETn_MASK	1	DSP SETn GPIO34 Mask Control
R315586 (0x4_D0C2) DSPGP_SET6_Mask_2	0	DSPGP33_SETn_MASK	1	DSP SETn GPIO33 Mask Control
R315618 (0x4_D0E2) DSPGP_SET7_Mask_2				
R315650 (0x4_D102) DSPGP_SET8_Mask_2				

Table 4-41. DSP GPIO Control (Cont.)

Register Address	Bit	Label	Default	Description
R315432 (0x4_D028) DSPGP_SET1_Direction_1	31	DSPGP32_SETn_DIR	1	DSP SETn GPIO32 Direction Control 0 = Output 1 = Input
R315464 (0x4_D048) DSPGP_SET2_Direction_1	30	DSPGP31_SETn_DIR	1	DSP SETn GPIO31 Direction Control
R315496 (0x4_D068) DSPGP_SET3_Direction_1	29	DSPGP30_SETn_DIR	1	DSP SETn GPIO30 Direction Control
R315528 (0x4_D088) DSPGP_SET4_Direction_1	28	DSPGP29_SETn_DIR	1	DSP SETn GPIO29 Direction Control
R315560 (0x4_D0A8) DSPGP_SET5_Direction_1	27	DSPGP28_SETn_DIR	1	DSP SETn GPIO28 Direction Control
R315592 (0x4_D0C8) DSPGP_SET6_Direction_1	26	DSPGP27_SETn_DIR	1	DSP SETn GPIO27 Direction Control
R315624 (0x4_D0E8) DSPGP_SET7_Direction_1	25	DSPGP26_SETn_DIR	1	DSP SETn GPIO26 Direction Control
R315656 (0x4_D108) DSPGP_SET8_Direction_1	24	DSPGP25_SETn_DIR	1	DSP SETn GPIO25 Direction Control
	23	DSPGP24_SETn_DIR	1	DSP SETn GPIO24 Direction Control
	22	DSPGP23_SETn_DIR	1	DSP SETn GPIO23 Direction Control
	21	DSPGP22_SETn_DIR	1	DSP SETn GPIO22 Direction Control
	20	DSPGP21_SETn_DIR	1	DSP SETn GPIO21 Direction Control
	19	DSPGP20_SETn_DIR	1	DSP SETn GPIO20 Direction Control
	18	DSPGP19_SETn_DIR	1	DSP SETn GPIO19 Direction Control
	17	DSPGP18_SETn_DIR	1	DSP SETn GPIO18 Direction Control
	16	DSPGP17_SETn_DIR	1	DSP SETn GPIO17 Direction Control
	15	DSPGP16_SETn_DIR	1	DSP SETn GPIO16 Direction Control
	14	DSPGP15_SETn_DIR	1	DSP SETn GPIO15 Direction Control
	13	DSPGP14_SETn_DIR	1	DSP SETn GPIO14 Direction Control
	12	DSPGP13_SETn_DIR	1	DSP SETn GPIO13 Direction Control
	11	DSPGP12_SETn_DIR	1	DSP SETn GPIO12 Direction Control
	10	DSPGP11_SETn_DIR	1	DSP SETn GPIO11 Direction Control
	9	DSPGP10_SETn_DIR	1	DSP SETn GPIO10 Direction Control
	8	DSPGP9_SETn_DIR	1	DSP SETn GPIO9 Direction Control
	7	DSPGP8_SETn_DIR	1	DSP SETn GPIO8 Direction Control
	6	DSPGP7_SETn_DIR	1	DSP SETn GPIO7 Direction Control
	5	DSPGP6_SETn_DIR	1	DSP SETn GPIO6 Direction Control
	4	DSPGP5_SETn_DIR	1	DSP SETn GPIO5 Direction Control
	3	DSPGP4_SETn_DIR	1	DSP SETn GPIO4 Direction Control
	2	DSPGP3_SETn_DIR	1	DSP SETn GPIO3 Direction Control
	1	DSPGP2_SETn_DIR	1	DSP SETn GPIO2 Direction Control
	0	DSPGP1_SETn_DIR	1	DSP SETn GPIO1 Direction Control
R315434 (0x4_D02A) DSPGP_SET1_Direction_2	5	DSPGP38_SETn_DIR	1	DSP SETn GPIO38 Direction Control
R315466 (0x4_D04A) DSPGP_SET2_Direction_2	4	DSPGP37_SETn_DIR	1	DSP SETn GPIO37 Direction Control
R315498 (0x4_D06A) DSPGP_SET3_Direction_2	3	DSPGP36_SETn_DIR	1	DSP SETn GPIO36 Direction Control
R315530 (0x4_D08A) DSPGP_SET4_Direction_2	2	DSPGP35_SETn_DIR	1	DSP SETn GPIO35 Direction Control
R315562 (0x4_D0AA) DSPGP_SET5_Direction_2	1	DSPGP34_SETn_DIR	1	DSP SETn GPIO34 Direction Control
R315594 (0x4_D0CA) DSPGP_SET6_Direction_2	0	DSPGP33_SETn_DIR	1	DSP SETn GPIO33 Direction Control
R315626 (0x4_D0EA) DSPGP_SET7_Direction_2				
R315658 (0x4_D10A) DSPGP_SET8_Direction_2				

Table 4-41. DSP GPIO Control (Cont.)

Register Address	Bit	Label	Default	Description
R315440 (0x4_D030) DSPGP_SET1_Level_1	31	DSPGP32_SETn_LVL	0	DSP SETn GPIO32 Output Level 0 = Logic 0 1 = Logic 1
R315472 (0x4_D050) DSPGP_SET2_Level_1	30	DSPGP31_SETn_LVL	0	DSP SETn GPIO31 Output Level
R315504 (0x4_D070) DSPGP_SET3_Level_1	29	DSPGP30_SETn_LVL	0	DSP SETn GPIO30 Output Level
R315536 (0x4_D090) DSPGP_SET4_Level_1	28	DSPGP29_SETn_LVL	0	DSP SETn GPIO29 Output Level
R315568 (0x4_D0B0) DSPGP_SET5_Level_1	27	DSPGP28_SETn_LVL	0	DSP SETn GPIO28 Output Level
R315600 (0x4_D0D0) DSPGP_SET6_Level_1	26	DSPGP27_SETn_LVL	0	DSP SETn GPIO27 Output Level
R315632 (0x4_D0F0) DSPGP_SET7_Level_1	25	DSPGP26_SETn_LVL	0	DSP SETn GPIO26 Output Level
R315664 (0x4_D110) DSPGP_SET8_Level_1	24	DSPGP25_SETn_LVL	0	DSP SETn GPIO25 Output Level
	23	DSPGP24_SETn_LVL	0	DSP SETn GPIO24 Output Level
	22	DSPGP23_SETn_LVL	0	DSP SETn GPIO23 Output Level
	21	DSPGP22_SETn_LVL	0	DSP SETn GPIO22 Output Level
	20	DSPGP21_SETn_LVL	0	DSP SETn GPIO21 Output Level
	19	DSPGP20_SETn_LVL	0	DSP SETn GPIO20 Output Level
	18	DSPGP19_SETn_LVL	0	DSP SETn GPIO19 Output Level
	17	DSPGP18_SETn_LVL	0	DSP SETn GPIO18 Output Level
	16	DSPGP17_SETn_LVL	0	DSP SETn GPIO17 Output Level
	15	DSPGP16_SETn_LVL	0	DSP SETn GPIO16 Output Level
	14	DSPGP15_SETn_LVL	0	DSP SETn GPIO15 Output Level
	13	DSPGP14_SETn_LVL	0	DSP SETn GPIO14 Output Level
	12	DSPGP13_SETn_LVL	0	DSP SETn GPIO13 Output Level
	11	DSPGP12_SETn_LVL	0	DSP SETn GPIO12 Output Level
	10	DSPGP11_SETn_LVL	0	DSP SETn GPIO11 Output Level
	9	DSPGP10_SETn_LVL	0	DSP SETn GPIO10 Output Level
	8	DSPGP9_SETn_LVL	0	DSP SETn GPIO9 Output Level
	7	DSPGP8_SETn_LVL	0	DSP SETn GPIO8 Output Level
	6	DSPGP7_SETn_LVL	0	DSP SETn GPIO7 Output Level
	5	DSPGP6_SETn_LVL	0	DSP SETn GPIO6 Output Level
	4	DSPGP5_SETn_LVL	0	DSP SETn GPIO5 Output Level
	3	DSPGP4_SETn_LVL	0	DSP SETn GPIO4 Output Level
	2	DSPGP3_SETn_LVL	0	DSP SETn GPIO3 Output Level
	1	DSPGP2_SETn_LVL	0	DSP SETn GPIO2 Output Level
	0	DSPGP1_SETn_LVL	0	DSP SETn GPIO1 Output Level
R315442 (0x4_D032) DSPGP_SET1_Level_2	5	DSPGP38_SETn_LVL	0	DSP SETn GPIO38 Output Level
R315474 (0x4_D052) DSPGP_SET2_Level_2	4	DSPGP37_SETn_LVL	0	DSP SETn GPIO37 Output Level
R315506 (0x4_D072) DSPGP_SET3_Level_2	3	DSPGP36_SETn_LVL	0	DSP SETn GPIO36 Output Level
R315538 (0x4_D092) DSPGP_SET4_Level_2	2	DSPGP35_SETn_LVL	0	DSP SETn GPIO35 Output Level
R315570 (0x4_D0B2) DSPGP_SET5_Level_2	1	DSPGP34_SETn_LVL	0	DSP SETn GPIO34 Output Level
R315602 (0x4_D0D2) DSPGP_SET6_Level_2	0	DSPGP33_SETn_LVL	0	DSP SETn GPIO33 Output Level
R315634 (0x4_D0F2) DSPGP_SET7_Level_2				
R315666 (0x4_D112) DSPGP_SET8_Level_2				

4.6 Ambient Noise Cancelation

The ANC processor within the CS47L90 provides the capability to improve the intelligibility of a voice call by using destructive interference to reduce the acoustic energy of the ambient sound. The stereo ANC capability supports a wide variety of headset/handset applications.

The ANC processor is configured using parameters that are determined during product development and downloaded to the CS47L90. The configuration settings are specific to the acoustic properties of the target application. The primary acoustic elements in an application are typically the microphones and the speaker, but other components such as the plastics and the PCBs also have significant importance to the acoustic coefficient data.

Note that the ANC configuration parameters are application-specific, and must be recalculated following any change in the design of the acoustic elements of that application. Any mismatch between the acoustic coefficient data and the target application gives inferior ANC performance.

The signal path configuration settings are adjusted during product calibration to compensate for component tolerances. Also, calibration allows DC offsets in the earpiece output path to be measured and compensated, thus reducing power consumption and minimizing any pops and clicks in the output signal path.

The ANC processor employs stereo digital circuits to process the ambient noise (microphone) signals; the noise input paths (analog or digital) are selected as described in [Table 4-9](#). The selected sources are filtered and processed in accordance with the acoustic parameters programmed into the CS47L90. The resulting noise cancelation signals can be mixed with the output signal paths using the fields described in [Table 4-80](#).

Noise cancelation is applied selectively to different audio-frequency bands; a low-frequency limiter ensures that the ANC algorithms deliver noise reduction in the most sensitive frequency bands, without introducing distortion in other frequency bands.

The ANC processor is adaptive to different ambient noise levels in order to provide the most natural sound at the headphone audio output. The stereo ANC signal processing supports a very high level of noise cancelation capability for a wide variety of headset/handset applications. It also incorporates a noise gating function, which ensures that the noise cancelation performance is optimized across a wide range of input signal conditions.

Note that the ANC configuration data is lost whenever the DCVDD power domain is removed; the ANC configuration data must be downloaded to the CS47L90 each time the device is powered up.

The procedure for configuring the CS47L90 ANC functions is tailored to each customer's application; please contact your Cirrus Logic representative for more details.

4.7 Digital Audio Interface

The CS47L90 provides four audio interfaces, AIF1–AIF4. Each interface is independently configurable on the respective transmit (TX) and receive (RX) paths. AIF1 and AIF2 support up to eight channels of input and output signal paths; AIF3 and AIF4 support up to two channels of input and output signal paths.

The data sources for the audio interface transmit (TX) paths can be selected from any of the CS47L90 input signal paths, or from the digital-core processing functions. The audio interface receive (RX) paths can be selected as inputs to any of the digital-core processing functions or digital-core outputs. See [Section 4.3](#) for details of the digital-core routing options.

The digital audio interfaces provide flexible connectivity for multiple processors and other audio devices. Typical connections include applications processor, baseband processor, and wireless transceiver. Note that the SLIMbus interface also provides digital audio input/output paths, providing options for additional interfaces. A typical configuration is shown in [Fig. 4-36](#).

The audio interface AIF1 and AIF2 are referenced to DBVDD1 and DBVDD2 respectively; interfaces AIF3 and AIF4 are referenced to DBVDD3. This enables the CS47L90 to connect easily between application subsystems on different voltage domains.

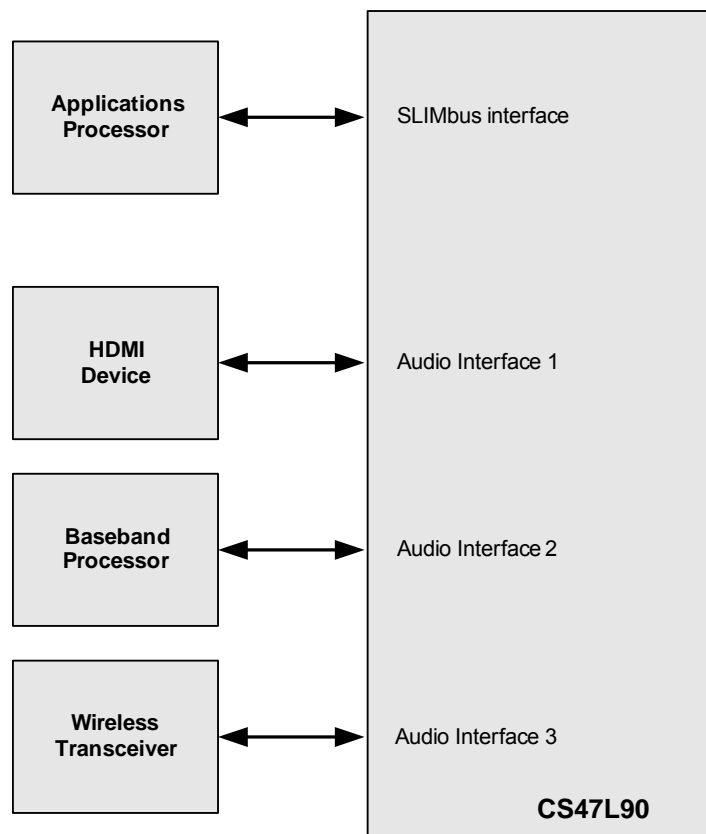


Figure 4-36. Typical AIF Connections

In the general case, the digital audio interface uses four pins:

- TXDAT: data output
- RXDAT: data input
- BCLK: bit clock, for synchronization
- LRCLK: left/right data-alignment clock

In Master Mode, the clock signals BCLK and LRCLK are outputs from the CS47L90. In Slave Mode, these signals are inputs, as shown in [Section 4.7.1](#).

The following interface formats are supported on AIF1–AIF4:

- DSP Mode A.
- DSP Mode B
- I²S
- Left-justified

The left-justified and DSP-B formats are valid in Master Mode only (i.e., BCLK and LRCLK are outputs from the CS47L90). These modes cannot be supported in Slave Mode.

The audio interface formats are described in [Section 4.7.2](#). The bit order is MSB-first in each case. Mono PCM operation can be supported using the DSP modes. Refer to [Table 3-16](#) through [Table 3-18](#) for signal timing information.

For typical applications, AIF data is encoded in 2's complement (signed, fixed-point) format. This format is compatible with all of the digital mixing and signal-processing functions on the CS47L90. Other data types, including floating point formats, can be supported using the DFCs. Note that, if unsigned or floating point data is present within the digital core, some restrictions on the valid signal routing options apply—see [Section 4.3.13](#).

4.7.1 Master and Slave Mode Operation

The CS47L90 digital audio interfaces can operate as a master or slave, as shown in Fig. 4-37 and Fig. 4-38. The associated control bits are described in Section 4.8.

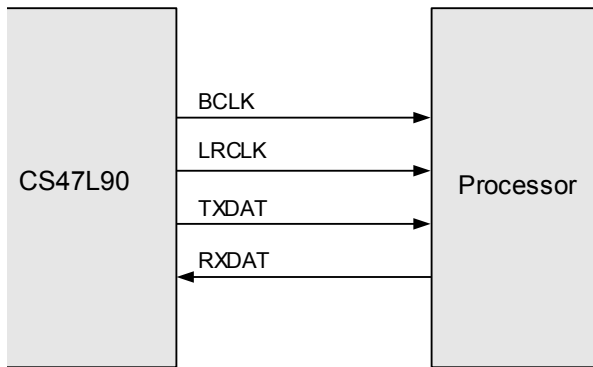


Figure 4-37. Master Mode

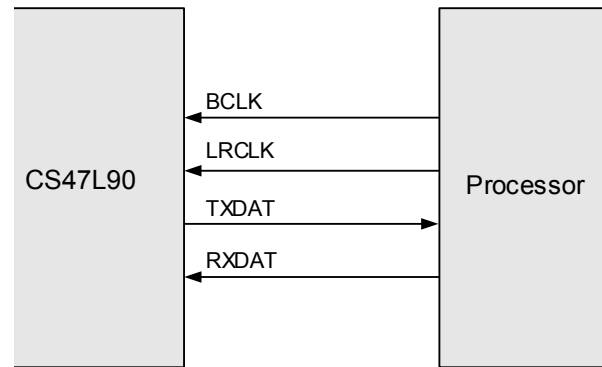


Figure 4-38. Slave Mode

4.7.2 Audio Data Formats

The CS47L90 digital audio interfaces can be configured to operate in I²S, left-justified, DSP-A, or DSP-B interface modes. Note that left-justified and DSP-B modes are valid in Master Mode only (i.e., BCLK and LRCLK are outputs from the CS47L90).

The digital audio interfaces also provide flexibility to support multiple slots of audio data within each LRCLK frame. This flexibility allows multiple audio channels to be supported within a single LRCLK frame.

The data formats described in this section are generic descriptions, assuming only one stereo pair of audio samples per LRCLK frame. In these cases, the AIF is configured to transmit (or receive) in the first available position in each frame (i.e., the Slot 0 position).

The options for multichannel operation are described in Section 4.7.3.

The audio data modes supported by the CS47L90 are described as follows. Note that the polarity of the BCLK and LRCLK signals can be inverted if required; the following descriptions all assume the default, noninverted polarity of these signals.

- In DSP modes, the left channel MSB is available on either the first (Mode B) or second (Mode A) rising edge of BCLK following a rising edge of LRCLK. Right-channel data immediately follows left channel data. Depending on word length, BCLK frequency, and sample rate, there may be unused BCLK cycles between the LSB of the right channel data and the next sample.

In Master Mode, the LRCLK output resembles the frame pulse shown in Fig. 4-39 and Fig. 4-40. In Slave Mode, it is possible to use any length of frame pulse less than $1/F_s$, providing the falling edge of the frame pulse occurs at least one BCLK period before the rising edge of the next frame pulse.

PCM operation is supported in DSP interface mode. CS47L90 data that is output on the left channel is read as mono data by the receiving equipment. Mono PCM data received by the CS47L90 is treated as left-channel data. This may be routed to the left/right playback paths using the control fields described in Section 4.3.

DSP Mode A data format is shown in [Fig. 4-39](#).

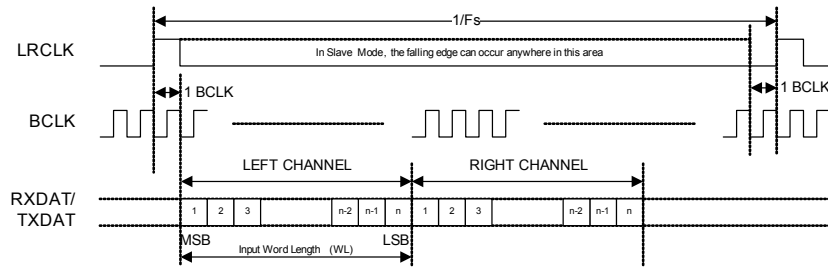


Figure 4-39. DSP Mode A Data Format

DSP Mode B data format is shown in [Fig. 4-40](#).

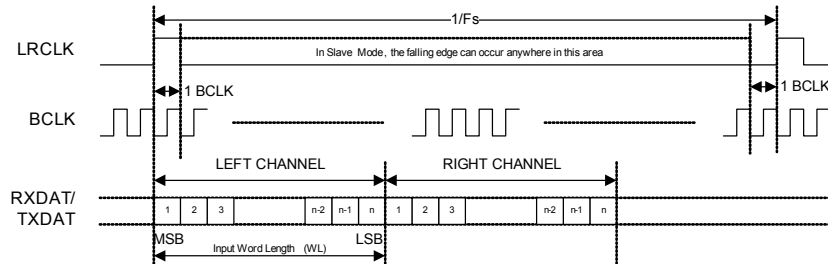


Figure 4-40. DSP Mode B Data Format

- In I²S Mode, the MSB is available on the second rising edge of BCLK following a LRCLK transition. The other bits up to the LSB are then transmitted in order. Depending on word length, BCLK frequency, and sample rate, there may be unused BCLK cycles between the LSB of one sample and the MSB of the next.

I²S Mode data format is shown in [Fig. 4-41](#).

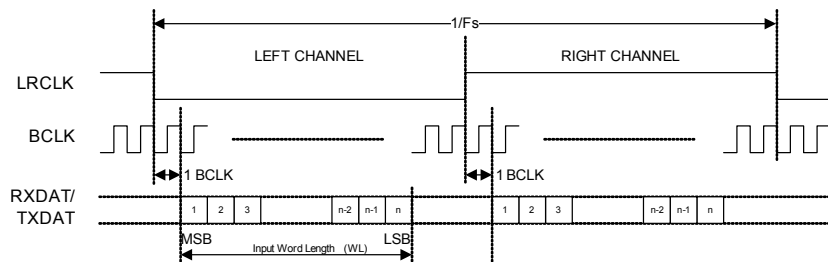


Figure 4-41. I²S Data Format (Assuming n-Bit Word Length)

- In Left-Justified Mode, the MSB is available on the first rising edge of BCLK following a LRCLK transition. The other bits up to the LSB are then transmitted in order. Depending on word length, BCLK frequency, and sample rate, there may be unused BCLK cycles before each LRCLK transition.

Left-Justified Mode data format is shown in [Fig. 4-42](#).

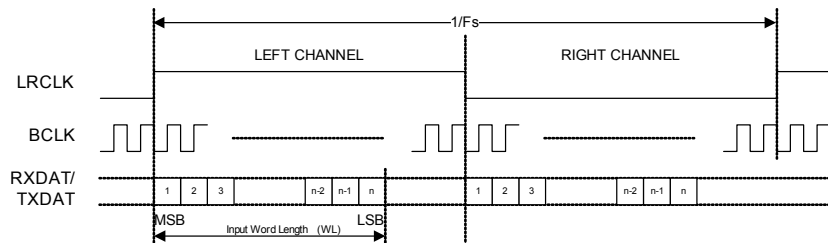


Figure 4-42. Left-Justified Data Format (Assuming n-Bit Word Length)

4.7.3 AIF Time-Slot Configuration

Digital audio interfaces AIF1 and AIF2 support multichannel operation, with up to eight channels of input and output in each case. A high degree of flexibility is provided to define the position of the audio samples within each LRCLK frame; the audio channel samples may be arranged in any order within the frame.

AIF3 and AIF4 also provide flexible configuration options, but these interfaces support only one stereo input and one stereo output path.

Note that, on each interface, all input and output channels must operate at the same sample rate (F_s).

Each audio channel can be enabled or disabled independently on the transmit (TX) and receive (RX) signal paths. For each enabled channel, the audio samples are assigned to one time slot within the LRCLK frame.

In DSP modes, the time slots are ordered consecutively from the start of the LRCLK frame. In I²S and left-justified modes, the even-numbered time slots are arranged in the first half of the LRCLK frame, and the odd-numbered time slots are arranged in the second half of the frame.

The time slots are assigned independently for the transmit (TX) and receive (RX) signal paths. There is no requirement to assign every available time slot to an audio sample; slots may be left unused, if desired. Care is required, however, to ensure that no time slot is allocated to more than one audio channel.

The number of BCLK cycles within a slot is configurable; this is the slot length. The number of valid data bits within a slot is also configurable; this is the word length. The number of BCLK cycles per LRCLK frame must be configured; it must be ensured that there are enough BCLK cycles within each LRCLK frame to transmit or receive all of the enabled audio channels.

Examples of the AIF time-slot configurations are shown in Fig. 4-43 through Fig. 4-46. One example is shown for each of the four possible data formats.

Fig. 4-43 shows an example of DSP Mode A format. Four enabled audio channels are shown, allocated to time slots 0 through 3.

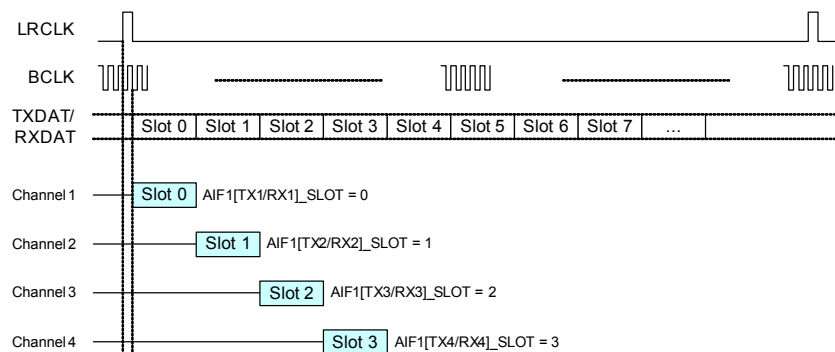


Figure 4-43. DSP Mode A Example

Fig. 4-44 shows an example of DSP Mode B format. Six enabled audio channels are shown, with time slots 4 and 5 unused.

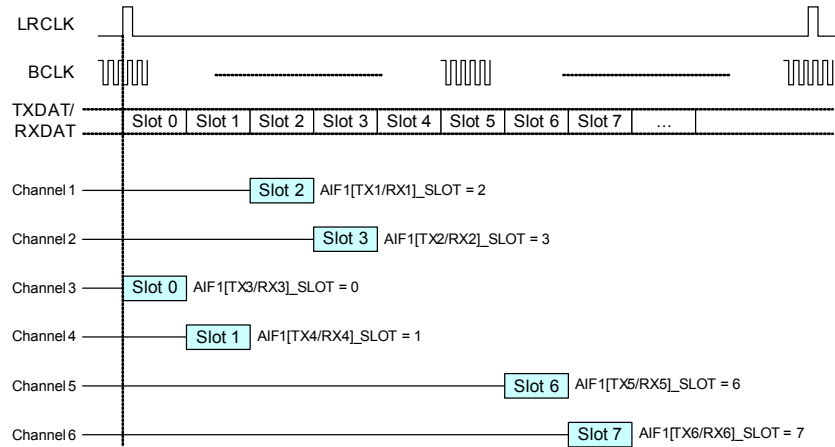


Figure 4-44. DSP Mode B Example

Fig. 4-45 shows an example of I²S format. Four enabled channels are shown, allocated to time slots 0 through 3.

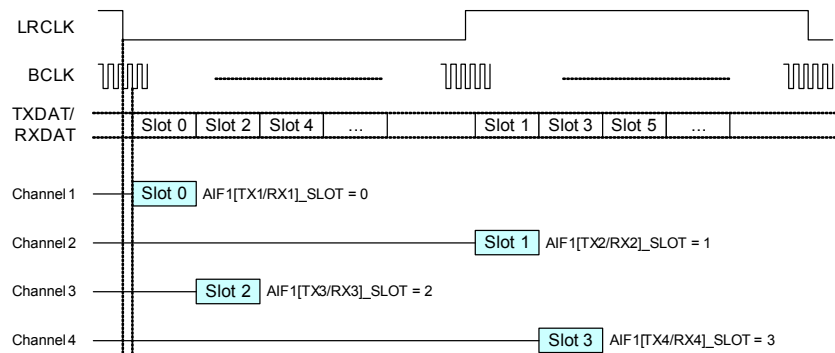


Figure 4-45. I²S Example

Fig. 4-46 shows an example of left-justified format. Six enabled channels are shown.

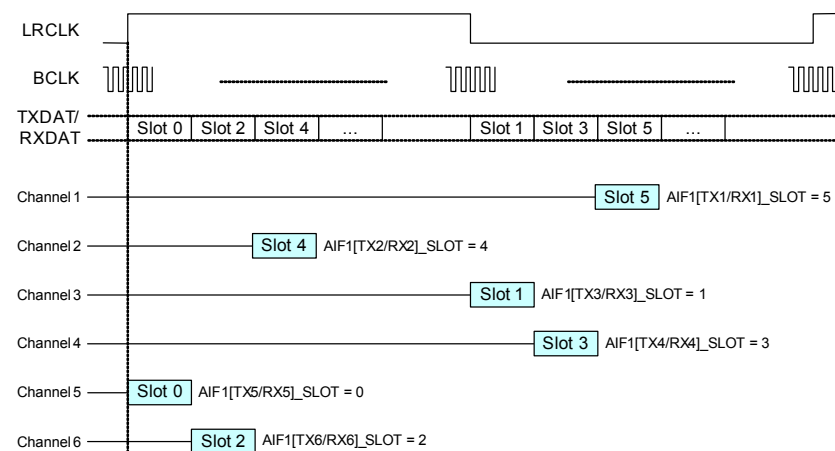


Figure 4-46. Left-Justified Example

4.7.4 TDM Operation Between Three or More Devices

The AIF operation described in [Section 4.7.3](#) illustrates how multiple audio channels can be interleaved on a single TXDAT or RXDAT pin. The interface uses TDM to allocate time periods to each audio channel in turn.

This form of TDM is implemented between two devices, using the electrical connections shown [Fig. 4-37](#) or [Fig. 4-38](#).

It is also possible to implement TDM between three or more devices. This allows one codec to receive audio data from two other devices simultaneously on a single audio interface, as shown in [Fig. 4-47](#), [Fig. 4-48](#), and [Fig. 4-49](#).

The CS47L90 provides full support for TDM operation. The TXDAT pin can be tristated when not transmitting data, in order to allow other devices to transmit on the same wire. The behavior of the TXDAT pin is configurable, to allow maximum flexibility to interface with other devices in this way.

Typical configurations of TDM operation between three devices are shown in [Fig. 4-47](#), [Fig. 4-48](#), and [Fig. 4-49](#).

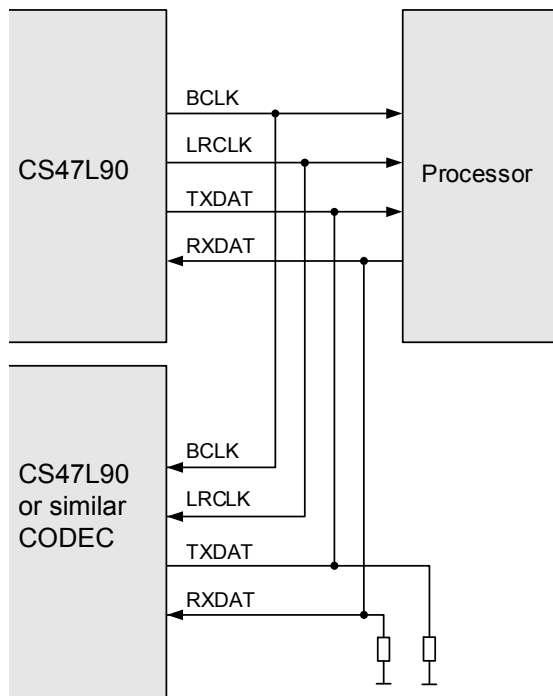


Figure 4-47. TDM with CS47L90 as Master

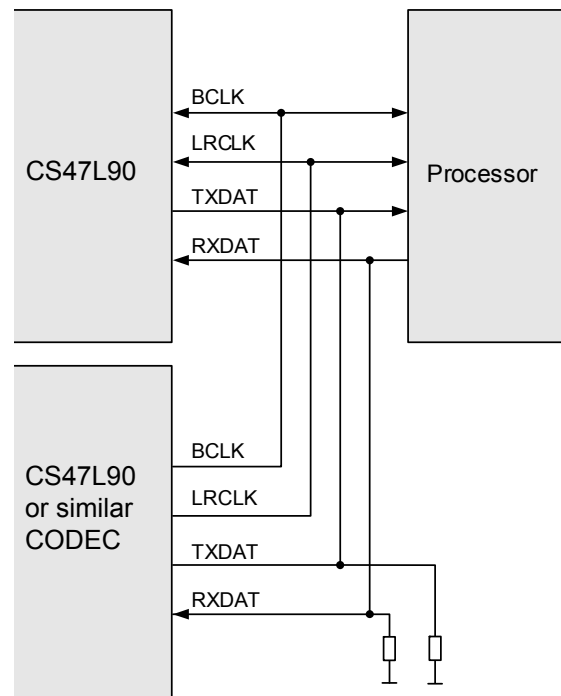


Figure 4-48. TDM with Other Codec as Master

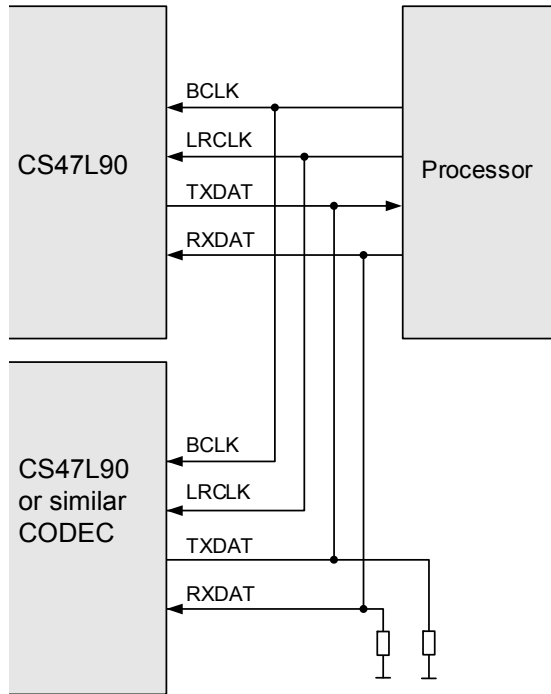


Figure 4-49. TDM with Processor as Master

Note: The CS47L90 is a 24-bit device. If the user operates the CS47L90 in 32-Bit Mode, the 8 LSBs are ignored on the receiving side and not driven on the transmitting side. It is therefore recommended to add a pull-down resistor if necessary to the RXDAT line and the TXDAT line in TDM mode.

4.8 Digital Audio Interface Control

This section describes the configuration of the CS47L90 digital audio interface paths.

AIF1 and AIF2 support up to eight input signal paths and up to eight output signal paths; AIF3 and AIF4 support up to two channels of input and output signal paths. The digital audio interfaces can be configured as master or slave interfaces; mixed master/slave configurations are also possible.

Each input and output signal path can be independently enabled or disabled. The AIF output (TX) and AIF input (RX) paths use shared BCLK and LRCLK control signals.

The digital audio interface supports flexible data formats, selectable word length, configurable time-slot allocations, and TDM tristate control.

The AIF1 and AIF3 interfaces provide full support for 32-bit data words (input and output). Audio data samples up to 32 bits can be routed to the AIF1, AIF3, SLIMbus, and S/PDIF outputs. Note that other signal paths and signal-processing blocks within the digital core are limited to 24-bit data length; data samples are truncated to 24-bit length if they are routed through any function that does not support 32-bit data words.

The audio interfaces can be reconfigured while enabled, including changes to the LRCLK frame length and the channel time-slot configurations. Care is required to ensure that any on-the-fly reconfiguration does not cause corruption to the active signal paths. Wherever possible, it is recommended to disable all channels before changing the AIF configuration.

4.8.1 AIF Sample-Rate Control

The AIF RX inputs may be selected as input to the digital mixers or signal-processing functions within the CS47L90 digital core. The AIF TX outputs are derived from the respective output mixers.

The sample rate for each digital audio interface AIF n is configured using the respective AIF n _RATE field—see [Table 4-26](#).

Note that sample-rate conversion is required when routing the AIF paths to any signal chain that is asynchronous or configured for a different sample rate.

4.8.2 AIF Pin Configuration

The external connections associated with each digital audio interface (AIF) are implemented on multifunction GPIO pins, which must be configured for the respective AIF functions when required. The AIF connections are pin-specific alternative functions available on specific GPIO pins. See [Section 4.15](#) to configure the GPIO pins for AIF operation.

Integrated pull-up and pull-down resistors can be enabled on the AIF n LRCLK, AIF n BCLK and AIF n RXDAT pins. This is provided as part of the GPIO functionality, and provides a flexible capability for interfacing with other devices. Each pull-up and pull-down resistor can be configured independently using the fields described in [Table 4-99](#).

If the pull-up and pull-down resistors are both enabled, the CS47L90 provides a bus keeper function on the respective pin. The bus-keeper function holds the logic level unchanged whenever the pin is undriven (e.g., if the signal is tristated).

4.8.3 AIF Master/Slave Control

The digital audio interfaces can operate in master or slave modes and also in mixed master/slave configurations. In Master Mode, the BCLK and LRCLK signals are generated by the CS47L90 when any of the respective digital audio interface channels is enabled. In Slave Mode, these outputs are disabled by default to allow another device to drive these pins.

Master Mode is selected on the AIF n BCLK pin by setting AIF n _BCLK_MSTR. In Master Mode, the AIF n BCLK signal is generated by the CS47L90 when one or more AIF n channels is enabled.

If the AIF n _BCLK_FRC bit is set in BCLK Master Mode, the AIF n BCLK signal is output at all times, including when none of the AIF n channels is enabled.

The AIF n BCLK signal can be inverted in master or slave modes using the AIF n _BCLK_INV bit.

Master Mode is selected on the AIF n LRCLK pin by setting AIF n _LRCLK_MSTR. In Master Mode, the AIF n LRCLK signal is generated by the CS47L90 when one or more AIF n channels is enabled.

If AIF n _LRCLK_FRC is set in LRCLK Master Mode, the AIF n LRCLK signal is output at all times, including when none of the AIF n channels is enabled. Note that AIF n LRCLK is derived from AIF n BCLK, and an internal or external AIF n BCLK signal must be present to generate AIF n LRCLK.

The AIF n LRCLK signal can be inverted in master or slave modes using the AIF n _LRCLK_INV bit.

The timing of the AIF n LRCLK signal is selectable using AIF n _LRCLK_ADV. If this bit is set, the LRCLK signal transition is advanced to the previous BCLK phase (as compared with the default behavior). Further details of this option, and conditions for valid use cases, are described in [Section 4.8.3.1](#).

The AIF1 master/slave control registers are described in [Table 4-42](#).

Table 4-42. AIF1 Master/Slave Control

Register Address	Bit	Label	Default	Description
R1280 (0x0500) AIF1_BCLK_Ctrl	7	AIF1_BCLK_INV	0	AIF1 Audio Interface BCLK Invert 0 = AIF1BCLK not inverted 1 = AIF1BCLK inverted
	6	AIF1_BCLK_FRC	0	AIF1 Audio Interface BCLK Output Control 0 = Normal 1 = AIF1BCLK always enabled in Master Mode
	5	AIF1_BCLK_MSTR	0	AIF1 Audio Interface BCLK Master Select 0 = AIF1BCLK Slave Mode 1 = AIF1BCLK Master Mode

Table 4-42. AIF1 Master/Slave Control (Cont.)

Register Address	Bit	Label	Default	Description
R1282 (0x0502) AIF1_Rx_Pin_Ctrl	4	AIF1_LRCLK_ADV	0	AIF1 Audio Interface LRCLK Advance 0 = Normal 1 = AIF1LRCLK transition is advanced to the previous BCLK phase
	2	AIF1_LRCLK_INV	0	AIF1 Audio Interface LRCLK Invert 0 = AIF1LRCLK not inverted 1 = AIF1LRCLK inverted
	1	AIF1_LRCLK_FRC	0	AIF1 Audio Interface LRCLK Output Control 0 = Normal 1 = AIF1LRCLK always enabled in Master Mode
	0	AIF1_LRCLK_MSTR	0	AIF1 Audio Interface LRCLK Master Select 0 = AIF1LRCLK Slave Mode 1 = AIF1LRCLK Master Mode

The AIF2 master/slave control registers are described in [Table 4-43](#).

Table 4-43. AIF2 Master/Slave Control

Register Address	Bit	Label	Default	Description
R1344 (0x0540) AIF2_BCLK_Ctrl	7	AIF2_BCLK_INV	0	AIF2 Audio Interface BCLK Invert 0 = AIF2BCLK not inverted 1 = AIF2BCLK inverted
	6	AIF2_BCLK_FRC	0	AIF2 Audio Interface BCLK Output Control 0 = Normal 1 = AIF2BCLK always enabled in Master Mode
	5	AIF2_BCLK_MSTR	0	AIF2 Audio Interface BCLK Master Select 0 = AIF2BCLK Slave Mode 1 = AIF2BCLK Master Mode
R1346 (0x0542) AIF2_Rx_Pin_Ctrl	4	AIF2_LRCLK_ADV	0	AIF2 Audio Interface LRCLK Advance 0 = Normal 1 = AIF2LRCLK transition is advanced to the previous BCLK phase
	2	AIF2_LRCLK_INV	0	AIF2 Audio Interface LRCLK Invert 0 = AIF2LRCLK not inverted 1 = AIF2LRCLK inverted
	1	AIF2_LRCLK_FRC	0	AIF2 Audio Interface LRCLK Output Control 0 = Normal 1 = AIF2LRCLK always enabled in Master Mode
	0	AIF2_LRCLK_MSTR	0	AIF2 Audio Interface LRCLK Master Select 0 = AIF2LRCLK Slave Mode 1 = AIF2LRCLK Master Mode

The AIF3 master/slave control registers are described in [Table 4-44](#).

Table 4-44. AIF3 Master/Slave Control

Register Address	Bit	Label	Default	Description
R1408 (0x0580) AIF3_BCLK_Ctrl	7	AIF3_BCLK_INV	0	AIF3 Audio Interface BCLK Invert 0 = AIF3BCLK not inverted 1 = AIF3BCLK inverted
	6	AIF3_BCLK_FRC	0	AIF3 Audio Interface BCLK Output Control 0 = Normal 1 = AIF3BCLK always enabled in Master Mode
	5	AIF3_BCLK_MSTR	0	AIF3 Audio Interface BCLK Master Select 0 = AIF3BCLK Slave Mode 1 = AIF3BCLK Master Mode

Table 4-44. AIF3 Master/Slave Control (Cont.)

Register Address	Bit	Label	Default	Description
R1410 (0x0582) AIF3_Rx_Pin_Ctrl	4	AIF3_LRCLK_ADV	0	AIF3 Audio Interface LRCLK Advance 0 = Normal 1 = AIF3LRCLK transition is advanced to the previous BCLK phase
	2	AIF3_LRCLK_INV	0	AIF3 Audio Interface LRCLK Invert 0 = AIF3LRCLK not inverted 1 = AIF3LRCLK inverted
	1	AIF3_LRCLK_FRC	0	AIF3 Audio Interface LRCLK Output Control 0 = Normal 1 = AIF3LRCLK always enabled in Master Mode
	0	AIF3_LRCLK_MSTR	0	AIF3 Audio Interface LRCLK Master Select 0 = AIF3LRCLK Slave Mode 1 = AIF3LRCLK Master Mode

The AIF4 master/slave control registers are described in [Table 4-45](#).

Table 4-45. AIF4 Master/Slave Control

Register Address	Bit	Label	Default	Description
R1440 (0x05A0) AIF4_BCLK_Ctrl	7	AIF4_BCLK_INV	0	AIF4 Audio Interface BCLK Invert 0 = AIF4BCLK not inverted 1 = AIF4BCLK inverted
	6	AIF4_BCLK_FRC	0	AIF4 Audio Interface BCLK Output Control 0 = Normal 1 = AIF4BCLK always enabled in Master Mode
	5	AIF4_BCLK_MSTR	0	AIF4 Audio Interface BCLK Master Select 0 = AIF4BCLK Slave Mode 1 = AIF4BCLK Master Mode
R1442 (0x05A2) AIF4_Rx_Pin_Ctrl	4	AIF4_LRCLK_ADV	0	AIF4 Audio Interface LRCLK Advance 0 = Normal 1 = AIF4LRCLK transition is advanced to the previous BCLK phase
	2	AIF4_LRCLK_INV	0	AIF4 Audio Interface LRCLK Invert 0 = AIF4LRCLK not inverted 1 = AIF4LRCLK inverted
	1	AIF4_LRCLK_FRC	0	AIF4 Audio Interface LRCLK Output Control 0 = Normal 1 = AIF4LRCLK always enabled in Master Mode
	0	AIF4_LRCLK_MSTR	0	AIF4 Audio Interface LRCLK Master Select 0 = AIF4LRCLK Slave Mode 1 = AIF4LRCLK Master Mode

4.8.3.1 LRCLK Advance

The timing of the AIF_nLRCLK signal can be adjusted using AIF_n_LRCLK_ADV. If this bit is set, the LRCLK signal transition is advanced to the previous BCLK phase (as compared with the default behavior).

The LRCLK-advance option (AIF_n_LRCLK_ADV = 1) is valid for DSP-A mode only, operating in Master Mode.

Note: BCLK inversion must be enabled (AIF_n_BCLK_INV = 1) if the LRCLK-advance option is enabled.

The adjusted interface timing (AIF_n_LRCLK_ADV = 1), is shown in [Fig. 4-50](#). The left-channel MSB is available on the second rising edge of BCLK, 1.5 BCLK cycles after the LRCLK rising edge—assuming the BCLK output is inverted.

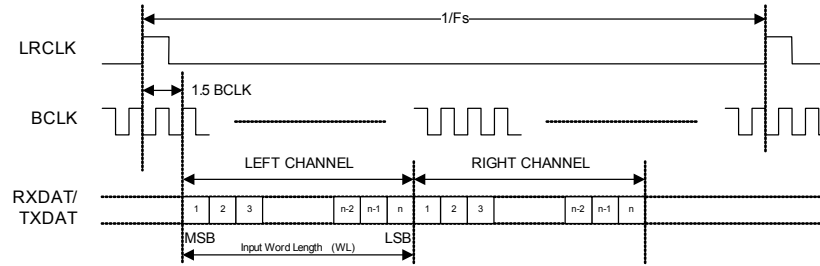


Figure 4-50. LRCLK advance—DSP-A Master Mode

4.8.4 AIF Signal Path Enable

The AIF1 and AIF2 interfaces support up to eight input (RX) channels and up to eight output (TX) channels. Each channel is enabled or disabled using the bits defined in [Table 4-46](#) and [Table 4-47](#).

The AIF3 and AIF4 interfaces support up to two input (RX) channels and up to two output (TX) channels. Each channel is enabled or disabled using the bits defined in [Table 4-48](#) and [Table 4-49](#).

The system clock, SYSCLK, must be configured and enabled before any audio path is enabled. The ASYNCCLK may also be required, depending on the path configuration. See [Section 4.17](#) for details of the system clocks.

The audio interfaces can be reconfigured if enabled, including changes to the LRCLK frame length and the channel time-slot configurations. Care is required to ensure that this on-the-fly reconfiguration does not cause corruption to the active signal paths. Wherever possible, it is recommended to disable all channels before changing the AIF configuration.

The CS47L90 performs automatic checks to confirm that the SYSCLK and ASYNCCLK frequencies are high enough to support the commanded signal paths and processing functions. If the frequency is too low, an attempt to enable an AIF signal path fails. Note that active signal paths are not affected under such circumstances.

The AIF1 signal-path-enable bits are described in [Table 4-46](#).

Table 4-46. AIF1 Signal Path Enable

Register Address	Bit	Label	Default	Description
R1305 (0x0519) AIF1_Tx_Enables	7	AIF1TX8_ENA	0	AIF1 Audio Interface TX Channel 8 Enable 0 = Disabled 1 = Enabled
	6	AIF1TX7_ENA	0	AIF1 Audio Interface TX Channel 7 Enable 0 = Disabled 1 = Enabled
	5	AIF1TX6_ENA	0	AIF1 Audio Interface TX Channel 6 Enable 0 = Disabled 1 = Enabled
	4	AIF1TX5_ENA	0	AIF1 Audio Interface TX Channel 5 Enable 0 = Disabled 1 = Enabled
	3	AIF1TX4_ENA	0	AIF1 Audio Interface TX Channel 4 Enable 0 = Disabled 1 = Enabled
	2	AIF1TX3_ENA	0	AIF1 Audio Interface TX Channel 3 Enable 0 = Disabled 1 = Enabled
	1	AIF1TX2_ENA	0	AIF1 Audio Interface TX Channel 2 Enable 0 = Disabled 1 = Enabled
	0	AIF1TX1_ENA	0	AIF1 Audio Interface TX Channel 1 Enable 0 = Disabled 1 = Enabled

Table 4-46. AIF1 Signal Path Enable (Cont.)

Register Address	Bit	Label	Default	Description
R1306 (0x051A) AIF1_Rx_Enables	7	AIF1RX8_ENA	0	AIF1 Audio Interface RX Channel 8 Enable 0 = Disabled 1 = Enabled
	6	AIF1RX7_ENA	0	AIF1 Audio Interface RX Channel 7 Enable 0 = Disabled 1 = Enabled
	5	AIF1RX6_ENA	0	AIF1 Audio Interface RX Channel 6 Enable 0 = Disabled 1 = Enabled
	4	AIF1RX5_ENA	0	AIF1 Audio Interface RX Channel 5 Enable 0 = Disabled 1 = Enabled
	3	AIF1RX4_ENA	0	AIF1 Audio Interface RX Channel 4 Enable 0 = Disabled 1 = Enabled
	2	AIF1RX3_ENA	0	AIF1 Audio Interface RX Channel 3 Enable 0 = Disabled 1 = Enabled
	1	AIF1RX2_ENA	0	AIF1 Audio Interface RX Channel 2 Enable 0 = Disabled 1 = Enabled
	0	AIF1RX1_ENA	0	AIF1 Audio Interface RX Channel 1 Enable 0 = Disabled 1 = Enabled

The AIF2 signal-path-enable bits are described in [Table 4-47](#).

Table 4-47. AIF2 Signal Path Enable

Register Address	Bit	Label	Default	Description
R1369 (0x0559) AIF2_Tx_Enables	7	AIF2TX8_ENA	0	AIF2 Audio Interface TX Channel 8 Enable 0 = Disabled 1 = Enabled
	6	AIF2TX7_ENA	0	AIF2 Audio Interface TX Channel 7 Enable 0 = Disabled 1 = Enabled
	5	AIF2TX6_ENA	0	AIF2 Audio Interface TX Channel 6 Enable 0 = Disabled 1 = Enabled
	4	AIF2TX5_ENA	0	AIF2 Audio Interface TX Channel 5 Enable 0 = Disabled 1 = Enabled
	3	AIF2TX4_ENA	0	AIF2 Audio Interface TX Channel 4 Enable 0 = Disabled 1 = Enabled
	2	AIF2TX3_ENA	0	AIF2 Audio Interface TX Channel 3 Enable 0 = Disabled 1 = Enabled
	1	AIF2TX2_ENA	0	AIF2 Audio Interface TX Channel 2 Enable 0 = Disabled 1 = Enabled
	0	AIF2TX1_ENA	0	AIF2 Audio Interface TX Channel 1 Enable 0 = Disabled 1 = Enabled

Table 4-47. AIF2 Signal Path Enable (Cont.)

Register Address	Bit	Label	Default	Description
R1370 (0x055A) AIF2_Rx_Enables	7	AIF2RX8_ENA	0	AIF2 Audio Interface RX Channel 8 Enable 0 = Disabled 1 = Enabled
	6	AIF2RX7_ENA	0	AIF2 Audio Interface RX Channel 7 Enable 0 = Disabled 1 = Enabled
	5	AIF2RX6_ENA	0	AIF2 Audio Interface RX Channel 6 Enable 0 = Disabled 1 = Enabled
	4	AIF2RX5_ENA	0	AIF2 Audio Interface RX Channel 5 Enable 0 = Disabled 1 = Enabled
	3	AIF2RX4_ENA	0	AIF2 Audio Interface RX Channel 4 Enable 0 = Disabled 1 = Enabled
	2	AIF2RX3_ENA	0	AIF2 Audio Interface RX Channel 3 Enable 0 = Disabled 1 = Enabled
	1	AIF2RX2_ENA	0	AIF2 Audio Interface RX Channel 2 Enable 0 = Disabled 1 = Enabled
	0	AIF2RX1_ENA	0	AIF2 Audio Interface RX Channel 1 Enable 0 = Disabled 1 = Enabled

The AIF3 signal-path-enable bits are described in [Table 4-48](#).

Table 4-48. AIF3 Signal Path Enable

Register Address	Bit	Label	Default	Description
R1433 (0x0599) AIF3_Tx_Enables	1	AIF3TX2_ENA	0	AIF3 Audio Interface TX Channel 2 Enable 0 = Disabled 1 = Enabled
	0	AIF3TX1_ENA	0	AIF3 Audio Interface TX Channel 1 Enable 0 = Disabled 1 = Enabled
R1434 (0x059A) AIF3_Rx_Enables	1	AIF3RX2_ENA	0	AIF3 Audio Interface RX Channel 2 Enable 0 = Disabled 1 = Enabled
	0	AIF3RX1_ENA	0	AIF3 Audio Interface RX Channel 1 Enable 0 = Disabled 1 = Enabled

The AIF4 signal-path-enable bits are described in [Table 4-49](#).

Table 4-49. AIF4 Signal Path Enable

Register Address	Bit	Label	Default	Description
R1465 (0x05B9) AIF4_Tx_Enables	1	AIF4TX2_ENA	0	AIF4 Audio Interface TX Channel 2 Enable 0 = Disabled 1 = Enabled
	0	AIF4TX1_ENA	0	AIF4 Audio Interface TX Channel 1 Enable 0 = Disabled 1 = Enabled
R1466 (0x05BA) AIF4_Rx_Enables	1	AIF4RX2_ENA	0	AIF4 Audio Interface RX Channel 2 Enable 0 = Disabled 1 = Enabled
	0	AIF4RX1_ENA	0	AIF4 Audio Interface RX Channel 1 Enable 0 = Disabled 1 = Enabled

4.8.5 AIF BCLK and LRCLK Control

The AIF n BCLK frequency is selected using the AIF n _BCLK_FREQ field. For each setting of this field, the actual frequency depends on whether AIF n is configured for a 48-kHz-related sample rate, as described in [Table 4-50](#) through [Table 4-53](#).

- If AIF n _RATE < 1000 ([Table 4-26](#)), AIF n is referenced to the SYSCLK clocking domain and the applicable frequency depends upon the SAMPLE_RATE_1, SAMPLE_RATE_2 or SAMPLE_RATE_3 fields.
- If AIF n _RATE ≥ 1000, AIF n is referenced to the ASYNCCLK clocking domain and the applicable frequency depends upon the ASYNC_SAMPLE_RATE_1 or ASYNC_SAMPLE_RATE_2 fields.

The selected AIF n BCLK rate must be less than or equal to SYSCLK/2, or ASYNCCLK/2, as applicable. See [Section 4.17](#) for details of SYSCLK and ASYNCCLK clock domains, and the associated control registers.

The AIF n LRCLK frequency is controlled relative to AIF n BCLK by the AIF n _BCPF divider.

Note that the BCLK rate must be configured in master or slave modes, using the AIF n _BCLK_FREQ fields. The LRCLK rates only require to be configured in Master Mode.

The AIF1 BCLK/LRCLK control fields are described in [Table 4-50](#).

Table 4-50. AIF1 BCLK and LRCLK Control

Register Address	Bit	Label	Default	Description
R1280 (0x0500) AIF1_BCLK_Ctrl	4:0	AIF1_BCLK_FREQ[4:0]	0x0C	AIF1BCLK Rate. The AIF1BCLK rate must be less than or equal to SYSCLK/2. 0x00–0x01 = Reserved 0x07 = 384 kHz (352.8 kHz) 0x0D = 3.072 MHz (2.8824 MHz) 0x02 = 64 kHz (58.8 kHz) 0x08 = 512 kHz (470.4 kHz) 0x0E = 4.096 MHz (3.7632 MHz) 0x03 = 96 kHz (88.2 kHz) 0x09 = 768 kHz (705.6 kHz) 0x0F = 6.144 MHz (5.6448 MHz) 0x04 = 128 kHz (117.6 kHz) 0x0A = 1.024 MHz (940.8 kHz) 0x10 = 8.192 MHz (7.5264 MHz) 0x05 = 192 kHz (176.4 kHz) 0x0B = 1.536 MHz (1.4112 MHz) 0x11 = 12.288 MHz (11.2896 MHz) 0x06 = 256 kHz (235.2 kHz) 0x0C = 2.048 MHz (1.8816 MHz) 0x12 = 24.576 MHz (22.5792 MHz) The frequencies in brackets apply for 44.1 kHz–related sample rates only (SAMPLE_RATE_ n = 01XXX). If AIF1_RATE < 1000, AIF1 is referenced to SYSCLK and the 44.1 kHz–related frequencies apply if SAMPLE_RATE_ n = 01XXX. If AIF1_RATE ≥ 1000, AIF1 is referenced to ASYNCCLK and the 44.1 kHz–related frequencies apply if ASYNC_SAMPLE_RATE_ n = 01XXX.
R1286 (0x0506) AIF1_Rx_BCLK_Rate	12:0	AIF1_BCPF[12:0]	0x0040	AIF1LRCLK Rate. Selects the number of BCLK cycles per AIF1LRCLK frame. AIF1LRCLK clock = AIF1BCLK/AIF1_BCPF. Integer (LSB = 1), Valid from 8 to 8191.

The AIF2 BCLK/LRCLK control fields are described in [Table 4-51](#).

Table 4-51. AIF2 BCLK and LRCLK Control

Register Address	Bit	Label	Default	Description																		
R1344 (0x0540) AIF2_ BCLK_Ctrl	4:0	AIF2_ BCLK_ FREQ[4:0]	0x0C	<p>AIF2BCLK Rate. The AIF2BCLK rate must be less than or equal to SYSCLK/2.</p> <table border="0"> <tr> <td>0x00–0x01 = Reserved</td> <td>0x07 = 384 kHz (352.8 kHz)</td> <td>0x0D = 3.072 MHz (2.8824 MHz)</td> </tr> <tr> <td>0x02 = 64 kHz (58.8 kHz)</td> <td>0x08 = 512 kHz (470.4 kHz)</td> <td>0x0E = 4.096 MHz (3.7632 MHz)</td> </tr> <tr> <td>0x03 = 96 kHz (88.2 kHz)</td> <td>0x09 = 768 kHz (705.6 kHz)</td> <td>0x0F = 6.144 MHz (5.6448 MHz)</td> </tr> <tr> <td>0x04 = 128 kHz (117.6 kHz)</td> <td>0x0A = 1.024 MHz (940.8 kHz)</td> <td>0x10 = 8.192 MHz (7.5264 MHz)</td> </tr> <tr> <td>0x05 = 192 kHz (176.4 kHz)</td> <td>0x0B = 1.536 MHz (1.4112 MHz)</td> <td>0x11 = 12.288 MHz (11.2896 MHz)</td> </tr> <tr> <td>0x06 = 256 kHz (235.2 kHz)</td> <td>0x0C = 2.048 MHz (1.8816 MHz)</td> <td>0x12 = 24.576 MHz (22.5792 MHz)</td> </tr> </table> <p>The frequencies in brackets apply for 44.1 kHz–related sample rates only (SAMPLE_RATE_n = 01XXX).</p> <p>If AIF2_RATE < 1000, AIF2 is referenced to SYSCLK and the 44.1 kHz–related frequencies apply if SAMPLE_RATE_n = 01XXX.</p> <p>If AIF2_RATE ≥ 1000, AIF2 is referenced to ASYNCCLK and the 44.1 kHz–related frequencies apply if ASYNC_SAMPLE_RATE_n = 01XXX.</p>	0x00–0x01 = Reserved	0x07 = 384 kHz (352.8 kHz)	0x0D = 3.072 MHz (2.8824 MHz)	0x02 = 64 kHz (58.8 kHz)	0x08 = 512 kHz (470.4 kHz)	0x0E = 4.096 MHz (3.7632 MHz)	0x03 = 96 kHz (88.2 kHz)	0x09 = 768 kHz (705.6 kHz)	0x0F = 6.144 MHz (5.6448 MHz)	0x04 = 128 kHz (117.6 kHz)	0x0A = 1.024 MHz (940.8 kHz)	0x10 = 8.192 MHz (7.5264 MHz)	0x05 = 192 kHz (176.4 kHz)	0x0B = 1.536 MHz (1.4112 MHz)	0x11 = 12.288 MHz (11.2896 MHz)	0x06 = 256 kHz (235.2 kHz)	0x0C = 2.048 MHz (1.8816 MHz)	0x12 = 24.576 MHz (22.5792 MHz)
0x00–0x01 = Reserved	0x07 = 384 kHz (352.8 kHz)	0x0D = 3.072 MHz (2.8824 MHz)																				
0x02 = 64 kHz (58.8 kHz)	0x08 = 512 kHz (470.4 kHz)	0x0E = 4.096 MHz (3.7632 MHz)																				
0x03 = 96 kHz (88.2 kHz)	0x09 = 768 kHz (705.6 kHz)	0x0F = 6.144 MHz (5.6448 MHz)																				
0x04 = 128 kHz (117.6 kHz)	0x0A = 1.024 MHz (940.8 kHz)	0x10 = 8.192 MHz (7.5264 MHz)																				
0x05 = 192 kHz (176.4 kHz)	0x0B = 1.536 MHz (1.4112 MHz)	0x11 = 12.288 MHz (11.2896 MHz)																				
0x06 = 256 kHz (235.2 kHz)	0x0C = 2.048 MHz (1.8816 MHz)	0x12 = 24.576 MHz (22.5792 MHz)																				
R1350 (0x0546) AIF2_Rx_ BCLK_Rate	12:0	AIF2_ BCPF[12:0]	0x0040	<p>AIF2LRCLK Rate. Selects the number of BCLK cycles per AIF2LRCLK frame. AIF2LRCLK clock = AIF2BCLK/AIF2_BCPF.</p> <p>Integer (LSB = 1), Valid from 8 to 8191.</p>																		

The AIF3 BCLK/LRCLK control fields are described in [Table 4-52](#).

Table 4-52. AIF3 BCLK and LRCLK Control

Register Address	Bit	Label	Default	Description																		
R1408 (0x0580) AIF3_ BCLK_Ctrl	4:0	AIF3_ BCLK_ FREQ[4:0]	0x0C	<p>AIF3BCLK Rate. The AIF3BCLK rate must be less than or equal to SYSCLK/2.</p> <table border="0"> <tr> <td>0x00–0x01 = Reserved</td> <td>0x07 = 384 kHz (352.8 kHz)</td> <td>0x0D = 3.072 MHz (2.8824 MHz)</td> </tr> <tr> <td>0x02 = 64 kHz (58.8 kHz)</td> <td>0x08 = 512 kHz (470.4 kHz)</td> <td>0x0E = 4.096 MHz (3.7632 MHz)</td> </tr> <tr> <td>0x03 = 96 kHz (88.2 kHz)</td> <td>0x09 = 768 kHz (705.6 kHz)</td> <td>0x0F = 6.144 MHz (5.6448 MHz)</td> </tr> <tr> <td>0x04 = 128 kHz (117.6 kHz)</td> <td>0x0A = 1.024 MHz (940.8 kHz)</td> <td>0x10 = 8.192 MHz (7.5264 MHz)</td> </tr> <tr> <td>0x05 = 192 kHz (176.4 kHz)</td> <td>0x0B = 1.536 MHz (1.4112 MHz)</td> <td>0x11 = 12.288 MHz (11.2896 MHz)</td> </tr> <tr> <td>0x06 = 256 kHz (235.2 kHz)</td> <td>0x0C = 2.048 MHz (1.8816 MHz)</td> <td>0x12 = 24.576 MHz (22.5792 MHz)</td> </tr> </table> <p>The frequencies in brackets apply for 44.1 kHz–related sample rates only (SAMPLE_RATE_n = 01XXX).</p> <p>If AIF3_RATE < 1000, AIF3 is referenced to SYSCLK and the 44.1 kHz–related frequencies apply if SAMPLE_RATE_n = 01XXX.</p> <p>If AIF3_RATE ≥ 1000, AIF3 is referenced to ASYNCCLK and the 44.1 kHz–related frequencies apply if ASYNC_SAMPLE_RATE_n = 01XXX.</p>	0x00–0x01 = Reserved	0x07 = 384 kHz (352.8 kHz)	0x0D = 3.072 MHz (2.8824 MHz)	0x02 = 64 kHz (58.8 kHz)	0x08 = 512 kHz (470.4 kHz)	0x0E = 4.096 MHz (3.7632 MHz)	0x03 = 96 kHz (88.2 kHz)	0x09 = 768 kHz (705.6 kHz)	0x0F = 6.144 MHz (5.6448 MHz)	0x04 = 128 kHz (117.6 kHz)	0x0A = 1.024 MHz (940.8 kHz)	0x10 = 8.192 MHz (7.5264 MHz)	0x05 = 192 kHz (176.4 kHz)	0x0B = 1.536 MHz (1.4112 MHz)	0x11 = 12.288 MHz (11.2896 MHz)	0x06 = 256 kHz (235.2 kHz)	0x0C = 2.048 MHz (1.8816 MHz)	0x12 = 24.576 MHz (22.5792 MHz)
0x00–0x01 = Reserved	0x07 = 384 kHz (352.8 kHz)	0x0D = 3.072 MHz (2.8824 MHz)																				
0x02 = 64 kHz (58.8 kHz)	0x08 = 512 kHz (470.4 kHz)	0x0E = 4.096 MHz (3.7632 MHz)																				
0x03 = 96 kHz (88.2 kHz)	0x09 = 768 kHz (705.6 kHz)	0x0F = 6.144 MHz (5.6448 MHz)																				
0x04 = 128 kHz (117.6 kHz)	0x0A = 1.024 MHz (940.8 kHz)	0x10 = 8.192 MHz (7.5264 MHz)																				
0x05 = 192 kHz (176.4 kHz)	0x0B = 1.536 MHz (1.4112 MHz)	0x11 = 12.288 MHz (11.2896 MHz)																				
0x06 = 256 kHz (235.2 kHz)	0x0C = 2.048 MHz (1.8816 MHz)	0x12 = 24.576 MHz (22.5792 MHz)																				
R1414 (0x0586) AIF3_Rx_ BCLK_Rate	12:0	AIF3_ BCPF[12:0]	0x0040	<p>AIF3LRCLK Rate. Selects the number of BCLK cycles per AIF3LRCLK frame. AIF3LRCLK clock = AIF3BCLK/AIF3_BCPF.</p> <p>Integer (LSB = 1), Valid from 8 to 8191.</p>																		

The AIF4 BCLK/LRCLK control fields are described in [Table 4-53](#).

Table 4-53. AIF4 BCLK and LRCLK Control

Register Address	Bit	Label	Default	Description
R1440 (0x05A0) AIF4_ BCLK_Ctrl	4:0	AIF4_ BCLK_ FREQ[4:0]	0x0C	<p>AIF4BCLK Rate. The AIF4BCLK rate must be less than or equal to SYSCLK/2.</p> <p>0x00–0x01 = Reserved 0x07 = 384 kHz (352.8 kHz) 0x0D = 3.072 MHz (2.8824 MHz)</p> <p>0x02 = 64 kHz (58.8 kHz) 0x08 = 512 kHz (470.4 kHz) 0x0E = 4.096 MHz (3.7632 MHz)</p> <p>0x03 = 96 kHz (88.2 kHz) 0x09 = 768 kHz (705.6 kHz) 0x0F = 6.144 MHz (5.6448 MHz)</p> <p>0x04 = 128 kHz (117.6 kHz) 0x0A = 1.024 MHz (940.8 kHz) 0x10 = 8.192 MHz (7.5264 MHz)</p> <p>0x05 = 192 kHz (176.4 kHz) 0x0B = 1.536 MHz (1.4112 MHz) 0x11 = 12.288 MHz (11.2896 MHz)</p> <p>0x06 = 256 kHz (235.2 kHz) 0x0C = 2.048 MHz (1.8816 MHz) 0x12 = 24.576 MHz (22.5792 MHz)</p> <p>The frequencies in brackets apply for 44.1 kHz–related sample rates only (SAMPLE_RATE_n = 01XXX).</p> <p>If AIF4_RATE < 1000, AIF4 is referenced to SYSCLK and the 44.1 kHz–related frequencies apply if SAMPLE_RATE_n = 01XXX.</p> <p>If AIF4_RATE ≥ 1000, AIF4 is referenced to ASYNCCCLK and the 44.1 kHz–related frequencies apply if ASYNC_SAMPLE_RATE_n = 01XXX.</p>
R1446 (0x05A6) AIF4_Rx_ BCLK_Rate	12:0	AIF4_ BCPF[12:0]	0x0040	<p>AIF4LRCLK Rate. Selects the number of BCLK cycles per AIF4LRCLK frame. AIF4LRCLK clock = AIF4BCLK/AIF4_BCPF.</p> <p>Integer (LSB = 1), Valid from 8 to 8191.</p>

4.8.6 AIF Digital Audio Data Control

The fields controlling the audio data format, word length, and slot configurations for AIF1–AIF4 are described in [Table 4-54](#) through [Table 4-57](#) respectively.

Note that left-justified and DSP-B modes are valid in Master Mode only (i.e., BCLK and LRCLK are outputs from the CS47L90).

The AIF_n slot length is the number of BCLK cycles in one time slot within the overall LRCLK frame. The word length is the number of valid data bits within each time slot. If the word length is less than the slot length, there are unused BCLK cycles at the end of each time slot. The AIF_n word length and slot length are independently selectable for the input (RX) and output (TX) paths.

For each AIF input (RX) and AIF output (TX) channel, the position of the audio data sample within the LRCLK frame is configurable. The x_SLOT fields define the time-slot position of the audio sample for the associated audio channel. Valid selections are Slot 0 upwards. The time slots are numbered as shown in [Fig. 4-43](#) through [Fig. 4-46](#).

Note that, in DSP modes, the time slots are ordered consecutively from the start of the LRCLK frame. In I²S and left-justified modes, the even-numbered time slots are arranged in the first half of the LRCLK frame, and the odd-numbered time slots are arranged in the second half of the frame.

The AIF1 data control fields are described in [Table 4-54](#).

Table 4-54. AIF1 Digital Audio Data Control

Register Address	Bit	Label	Default	Description
R1284 (0x0504) AIF1_Format	2:0	AIF1_FMT[2:0]	000	<p>AIF1 Audio Interface Format</p> <p>000 = DSP Mode A</p> <p>001 = DSP Mode B</p> <p>010 = I²S mode</p> <p>011 = Left-Justified mode</p> <p>Other codes are reserved.</p>
R1287 (0x0507) AIF1_Frame_Ctrl_1	13:8	AIF1TX_WL[5:0]	0x18	AIF1 TX Word Length (Number of valid data bits per slot) Integer (LSB = 1); Valid from 16 to 32
	7:0	AIF1TX_SLOT_LEN[7:0]	0x18	AIF1 TX Slot Length (Number of BCLK cycles per slot) Integer (LSB = 1); Valid from 16 to 128

Table 4-54. AIF1 Digital Audio Data Control (Cont.)

Register Address	Bit	Label	Default	Description
R1288 (0x0508) AIF1_Frame_Ctrl_2	13:8	AIF1RX_WL[5:0]	0x18	AIF1 RX Word Length (Number of valid data bits per slot) Integer (LSB = 1); Valid from 16 to 32
	7:0	AIF1RX_SLOT_LEN[7:0]	0x18	AIF1 RX Slot Length (Number of BCLK cycles per slot) Integer (LSB = 1); Valid from 16 to 128
R1289 (0x0509) to R1296 (0x0510)	5:0	AIF1TX1_SLOT[5:0]	0x0	AIF1 TX Channel n Slot position Defines the TX time slot position of the Channel n audio sample Integer (LSB=1); Valid from 0 to 63
	5:0	AIF1TX2_SLOT[5:0]	0x1	
	5:0	AIF1TX3_SLOT[5:0]	0x2	
	5:0	AIF1TX4_SLOT[5:0]	0x3	
	5:0	AIF1TX5_SLOT[5:0]	0x4	
	5:0	AIF1TX6_SLOT[5:0]	0x5	
	5:0	AIF1TX7_SLOT[5:0]	0x6	
	5:0	AIF1TX8_SLOT[5:0]	0x7	
R1297 (0x0511) to R1304 (0x0518)	5:0	AIF1RX1_SLOT[5:0]	0x0	AIF1 RX Channel n Slot position Defines the RX time slot position of the Channel n audio sample Integer (LSB=1); Valid from 0 to 63
	5:0	AIF1RX2_SLOT[5:0]	0x1	
	5:0	AIF1RX3_SLOT[5:0]	0x2	
	5:0	AIF1RX4_SLOT[5:0]	0x3	
	5:0	AIF1RX5_SLOT[5:0]	0x4	
	5:0	AIF1RX6_SLOT[5:0]	0x5	
	5:0	AIF1RX7_SLOT[5:0]	0x6	
	5:0	AIF1RX8_SLOT[5:0]	0x7	

The AIF2 data control fields are described in [Table 4-55](#).

Table 4-55. AIF2 Digital Audio Data Control

Register Address	Bit	Label	Default	Description
R1348 (0x0544) AIF2_Format	2:0	AIF2_FMT[2:0]	000	AIF2 Audio Interface Format 000 = DSP Mode A 001 = DSP Mode B 010 = I ² S mode 011 = Left-Justified mode Other codes are reserved.
R1351 (0x0547) AIF2_Frame_Ctrl_1	13:8	AIF2TX_WL[5:0]	0x18	AIF2 TX Word Length (Number of valid data bits per slot) Integer (LSB = 1); Valid from 16 to 32
	7:0	AIF2TX_SLOT_LEN[7:0]	0x18	AIF2 TX Slot Length (Number of BCLK cycles per slot) Integer (LSB = 1); Valid from 16 to 128
R1352 (0x0548) AIF2_Frame_Ctrl_2	13:8	AIF2RX_WL[5:0]	0x18	AIF2 RX Word Length (Number of valid data bits per slot) Integer (LSB = 1); Valid from 16 to 32
	7:0	AIF2RX_SLOT_LEN[7:0]	0x18	AIF2 RX Slot Length (Number of BCLK cycles per slot) Integer (LSB = 1); Valid from 16 to 128
R1353 (0x0549) to R1360 (0x0550)	5:0	AIF2TX1_SLOT[5:0]	0x0	AIF2 TX Channel n Slot position Defines the TX time slot position of the Channel n audio sample Integer (LSB=1); Valid from 0 to 63
	5:0	AIF2TX2_SLOT[5:0]	0x1	
	5:0	AIF2TX3_SLOT[5:0]	0x2	
	5:0	AIF2TX4_SLOT[5:0]	0x3	
	5:0	AIF2TX5_SLOT[5:0]	0x4	
	5:0	AIF2TX6_SLOT[5:0]	0x5	
	5:0	AIF2TX7_SLOT[5:0]	0x6	
	5:0	AIF2TX8_SLOT[5:0]	0x7	

Table 4-55. AIF2 Digital Audio Data Control (Cont.)

Register Address	Bit	Label	Default	Description
R1361 (0x0551)	5:0	AIF2RX1_SLOT[5:0]	0x0	AIF2 RX Channel n Slot position
to	5:0	AIF2RX2_SLOT[5:0]	0x1	Defines the RX time slot position of the Channel n audio sample Integer (LSB=1); Valid from 0 to 63
R1368 (0x0558)	5:0	AIF2RX3_SLOT[5:0]	0x2	
	5:0	AIF2RX4_SLOT[5:0]	0x3	
	5:0	AIF2RX5_SLOT[5:0]	0x4	
	5:0	AIF2RX6_SLOT[5:0]	0x5	
	5:0	AIF2RX7_SLOT[5:0]	0x6	
	5:0	AIF2RX8_SLOT[5:0]	0x7	

The AIF3 data control fields are described in [Table 4-56](#).

Table 4-56. AIF3 Digital Audio Data Control

Register Address	Bit	Label	Default	Description
R1412 (0x0584) AIF3_Format	2:0	AIF3_FMT[2:0]	000	AIF3 Audio Interface Format 000 = DSP Mode A 001 = DSP Mode B 010 = I ² S mode 011 = Left-Justified mode Other codes are reserved.
R1415 (0x0587) AIF3_Frame_Ctrl_1	13:8	AIF3TX_WL[5:0]	0x18	AIF3 TX Word Length (Number of valid data bits per slot) Integer (LSB = 1); Valid from 16 to 32
	7:0	AIF3TX_SLOT_LEN[7:0]	0x18	AIF3 TX Slot Length (Number of BCLK cycles per slot) Integer (LSB = 1); Valid from 16 to 128
R1416 (0x0588) AIF3_Frame_Ctrl_2	13:8	AIF3RX_WL[5:0]	0x18	AIF3 RX Word Length (Number of valid data bits per slot) Integer (LSB = 1); Valid from 16 to 32
	7:0	AIF3RX_SLOT_LEN[7:0]	0x18	AIF3 RX Slot Length (Number of BCLK cycles per slot) Integer (LSB = 1); Valid from 16 to 128
R1417 (0x0589) AIF3_Frame_Ctrl_3	5:0	AIF3TX1_SLOT[5:0]	0x0	AIF3 TX Channel 1 Slot position Defines the TX time slot position of the Channel 1 audio sample Integer (LSB=1); Valid from 0 to 63
R1418 (0x058A) AIF3_Frame_Ctrl_4	5:0	AIF3TX2_SLOT[5:0]	0x1	AIF3 TX Channel 2 Slot position Defines the TX time slot position of the Channel 2 audio sample Integer (LSB=1); Valid from 0 to 63
R1425 (0x0591) AIF3_Frame_Ctrl_11	5:0	AIF3RX1_SLOT[5:0]	0x0	AIF3 RX Channel 1 Slot position Defines the RX time slot position of the Channel 1 audio sample Integer (LSB=1); Valid from 0 to 63
R1426 (0x0592) AIF3_Frame_Ctrl_12	5:0	AIF3RX2_SLOT[5:0]	0x1	AIF3 RX Channel 2 Slot position Defines the RX time slot position of the Channel 2 audio sample Integer (LSB=1); Valid from 0 to 63

The AIF4 data control fields are described in [Table 4-57](#).

Table 4-57. AIF4 Digital Audio Data Control

Register Address	Bit	Label	Default	Description
R1444 (0x05A4) AIF4_Format	2:0	AIF4_FMT[2:0]	000	AIF4 Audio Interface Format 000 = DSP Mode A 001 = DSP Mode B 010 = I ² S mode 011 = Left-Justified mode Other codes are reserved.
R1447 (0x05A7) AIF4_Frame_Ctrl_1	13:8	AIF4TX_WL[5:0]	0x18	AIF4 TX Word Length (Number of valid data bits per slot) Integer (LSB = 1); Valid from 16 to 32
	7:0	AIF4TX_SLOT_LEN[7:0]	0x18	AIF4 TX Slot Length (Number of BCLK cycles per slot) Integer (LSB = 1); Valid from 16 to 128

Table 4-57. AIF4 Digital Audio Data Control (Cont.)

Register Address	Bit	Label	Default	Description
R1448 (0x05A8) AIF4_Frame_Ctrl_2	13:8	AIF4RX_WL[5:0]	0x18	AIF4 RX Word Length (Number of valid data bits per slot) Integer (LSB = 1); Valid from 16 to 32
	7:0	AIF4RX_SLOT_LEN[7:0]	0x18	AIF4 RX Slot Length (Number of BCLK cycles per slot) Integer (LSB = 1); Valid from 16 to 128
R1449 (0x05A9) AIF4_Frame_Ctrl_3	5:0	AIF4TX1_SLOT[5:0]	0x0	AIF4 TX Channel 1 Slot position Defines the TX time slot position of the Channel 1 audio sample Integer (LSB=1); Valid from 0 to 63
R1450 (0x05AA) AIF4_Frame_Ctrl_4	5:0	AIF4TX2_SLOT[5:0]	0x1	AIF4 TX Channel 2 Slot position Defines the TX time slot position of the Channel 2 audio sample Integer (LSB=1); Valid from 0 to 63
R1457 (0x05B1) AIF4_Frame_Ctrl_11	5:0	AIF4RX1_SLOT[5:0]	0x0	AIF4 RX Channel 1 Slot position Defines the RX time slot position of the Channel 1 audio sample Integer (LSB=1); Valid from 0 to 63
R1458 (0x05B2) AIF4_Frame_Ctrl_12	5:0	AIF4RX2_SLOT[5:0]	0x1	AIF4 RX Channel 2 Slot position Defines the RX time slot position of the Channel 2 audio sample Integer (LSB=1); Valid from 0 to 63

4.8.7 AIF TDM and Tristate Control

The AIF n output pins are tristated when the AIF n _TRI bit is set. Note that this function only affects output pins configured for the respective AIF n function—a GPIO pin that is configured for a different function is not affected by AIF n _TRI. See [Section 4.15](#) to configure the GPIO pins.

Under default conditions, the AIF n TXDAT output is held at Logic 0 when the CS47L90 is not transmitting data (i.e., during time slots that are not enabled for output by the CS47L90). If the AIF n TX_DAT_TRI bit is set, the CS47L90 tristates the respective AIF n TXDAT pin when not transmitting data, allowing other devices to drive the AIF n TXDAT connection.

The AIF1 TDM and tristate control fields are described in [Table 4-58](#).

Table 4-58. AIF1 TDM and Tristate Control

Register Address	Bit	Label	Default	Description
R1281 (0x0501) AIF1_Tx_Pin_Ctrl	5	AIF1TX_DAT_TRI	0	AIF1TXDAT Tristate Control 0 = Logic 0 during unused time slots 1 = Tristated during unused time slots
R1283 (0x0503) AIF1_Rate_Ctrl	6	AIF1_TRI	0	AIF1 Audio Interface Tristate Control 0 = Normal 1 = AIF1 Outputs are tristated Note that this bit only affects output pins configured for the respective AIF1 function.

The AIF2 TDM and tristate control fields are described in [Table 4-59](#).

Table 4-59. AIF2 TDM and Tristate Control

Register Address	Bit	Label	Default	Description
R1345 (0x0541) AIF2_Tx_Pin_Ctrl	5	AIF2TX_DAT_TRI	0	AIF2TXDAT Tristate Control 0 = Logic 0 during unused time slots 1 = Tristated during unused time slots
R1347 (0x0543) AIF2_Rate_Ctrl	6	AIF2_TRI	0	AIF2 Audio Interface Tristate Control 0 = Normal 1 = AIF2 Outputs are tristated Note that this bit only affects output pins configured for the respective AIF2 function.

The AIF3 TDM and tristate control fields are described in [Table 4-60](#).

Table 4-60. AIF3 TDM and Tristate Control

Register Address	Bit	Label	Default	Description
R1409 (0x0581) AIF3_Tx_Pin_Ctrl	5	AIF3TX_DAT_TRI	0	AIF3TXDAT Tristate Control 0 = Logic 0 during unused time slots 1 = Tristated during unused time slots
R1411 (0x0583) AIF3_Rate_Ctrl	6	AIF3_TRI	0	AIF3 Audio Interface Tristate Control 0 = Normal 1 = AIF3 Outputs are tristated Note that this bit only affects output pins configured for the respective AIF3 function.

The AIF4 TDM and tristate control fields are described in [Table 4-61](#).

Table 4-61. AIF4 TDM and Tristate Control

Register Address	Bit	Label	Default	Description
R1441 (0x05A1) AIF4_Tx_Pin_Ctrl	5	AIF4TX_DAT_TRI	0	AIF4TXDAT Tristate Control 0 = Logic 0 during unused time slots 1 = Tristated during unused time slots
R1443 (0x05A3) AIF4_Rate_Ctrl	6	AIF4_TRI	0	AIF4 Audio Interface Tristate Control 0 = Normal 1 = AIF4 Outputs are tristated Note that this bit only affects output pins configured for the respective AIF4 function.

4.9 SLIMbus Interface

The SLIMbus protocol is highly configurable and adaptable, supporting multiple audio signal paths, and mixed sample rates simultaneously. It also supports control messaging and associated communications between devices.

4.9.1 SLIMbus Devices

The SLIMbus components comprise different device classes (manager, framer, interface, generic). Each component on the bus has an interface device, which provides bus management services for the respective component. One or more components on the bus provide manager and framer device functions; the manager has the capabilities to administer the bus, although the framer is responsible for driving the CLK line and for driving the DATA required to establish the frame structure on the bus. Note that only one manager and one framer device is active at any time. The framer function can be transferred between devices when required. Generic devices provide the basic SLIMbus functionality for the associated ports, and for the transport protocol by which audio signal paths are established on the bus.

4.9.2 SLIMbus Frame Structure

The SLIMbus bit stream is formatted within a defined structure of cells, slots, subframes, frames, and superframes:

- A single data bit is known as a cell.
- Four cells make a slot.
- A frame consists of 192 slots.
- Eight frames make a superframe.

The bit stream structure is configurable to some extent, but the superframe definition always comprises 1536 slots. The transmitted/received bit rate can be configured according to system requirements and can be changed dynamically without interruption to active audio paths.

The SLIMbus CLK frequency (also the bus bit rate) is defined by a root frequency (RF) and a clock gear (CG). In the top clock gear (Gear 10), the CLK frequency is equal to the root frequency. Each reduction in the clock gear halves the CLK frequency, and doubles the duration of the superframe.

The SLIMbus bandwidth typically comprises control space (for bus messages, synchronization, etc.) and data space (for audio paths). The precise allocation is configurable and can be entirely control space, if required.

The subframe definition comprises the number of slots per subframe (6, 8, 24 or 32) and the number of these slots per subframe allocated as control space. The applicable combination of subframe length and control space width are defined by the Subframe Mode (SM) parameter.

The SLIMbus frame always comprises 192 slots, regardless of the subframe definition. A number of slots are allocated to control space, as noted above; the remaining slots are allocated to data space. Some of the control space is required for framing information and for the guide channel (see [Section 4.9.3](#)); the remainder of the control space are allocated to the message channel.

Multiline SLIMbus comprises one or more secondary data line, supporting additional bandwidth and flexibility for data transfer over the bus. All data lines are synchronized to the bus clock; the RF and CG parameters are common to all data lines. Note that control space is allocated on the primary data line only—secondary lines are used exclusively for data space. Accordingly, the SM parameter is defined for the primary line only.

4.9.3 Control Space

Framing information is provided in slots 0 and 96 of every frame. Slot 0 contains a 4-bit synchronization code; slot 96 contains the 32-bit framing information, transmitted 4 bits at a time over the eight frames that make up the SLIMbus superframe. The clock gear, root frequency, subframe configuration, along with some other parameters, are encoded within the framing information.

The guide channel occupies two slots within Frame 0. This provides the necessary information for a SLIMbus component to acquire and verify the frame synchronization. The guide channel occupies the first two control space slots within the first frame of the bit stream, excluding the framing information slots. Note that the exact slot allocation depends upon the applicable subframe mode.

The message channel is allocated all of the control space not used by the framing information or the guide channel. The message channel enables SLIMbus devices to communicate with each other, using a priority-based mechanism defined in the MIPI specification.

Messages may be broadcast to all devices on the bus, or can be addressed to specific devices using their allocated logical address (LA) or enumeration address (EA). Note that, device-specific messages are directed to a particular device (i.e., manager, framer, interface, or generic) within a component on the bus.

4.9.4 Data Space

The data space can be organized into a maximum of 256 data channels. Each channel, identified by a unique channel number (CN), is a stream of one or more contiguous slots, organized in a consistent data structure that repeats at a fixed interval.

A data channel is defined by its segment length (SL), (number of contiguous slots allocated), segment interval (spacing between the first slots of successive segments), and segment offset (the slot number of the first allocated slot within the superframe). The segment interval and segment offset are collectively defined by a segment distribution (SD), by which the SLIMbus manager may configure or reconfigure any data channel.

Each segment may comprise TAG, AUX, and DATA portions. Any of these portions may have a length of zero; the exact composition depends on the transport protocol (TP) for the associated channel. The DATA portion must be wide enough to accommodate one full word of the data channel contents. Data words cannot be spread across multiple segments.

The segment interval for each data channel represents the minimum spacing between consecutive data samples for that channel. (Note that the minimum spacing applies if every allocated segment is populated with new data; in many cases, additional bandwidth is allocated and not every allocated segment is used.)

The segment interval gives rise to segment windows for each data channel, aligned to the start of every superframe. The segment window boundaries define the times within which each new data sample must be buffered, ready for transmission—adherence to these fixed boundaries allows slot allocations to be moved within a segment window, without altering the signal latency. The segment interval may be either shorter or longer than the frame length, but there is always an integer number of segment windows per superframe.

The TP defines the flow control or handshaking method used by the ports associated with a data channel. The applicable flow control modes depend on the relationship between the audio sample rate (flow rate) and the SLIMbus CLK frequency. If the two rates are synchronized and integer related, no flow control is needed. In other cases, the flow may be regulated by the use of a presence bit, which can be set by the source device (pushed protocol) or by the sink device (pulled protocol).

The data-channel structure is defined in terms of the TP, SD, SL, and data line (LN) parameters. For multiline operation, the LN value identifies the data line on which the channel is present. Note that the mapping of secondary data lines (1–7) with respect to the secondary data pins is configurable on each multiline SLIMbus component, using value elements associated with the respective interface device. See [Section 4.10.3](#) for details of value elements.

The data-channel content definition includes a presence rate (PR) parameter (describing the nominal sample rate for the audio channel) and a frequency locked (FL) bit (identifying whether the data source is synchronized to the SLIMbus CLK). The data length (DL) parameter defines the size of each data sample (number of slots). The auxiliary bits format (AF) and data type (DT) parameters provide support for non-PCM encoded data channels; the channel link (CL) parameter is an indicator that channel CN is related to the previous channel, CN-1.

For a given root frequency and clock gear, the SL and SD parameters define the amount of SLIMbus bandwidth that is allocated to a given data channel. The minimum bandwidth requirements of a data channel are represented by the presence rate (PR) and data length (DL) parameters. The allocated SLIMbus bandwidth must be equal to or greater than the bandwidth of the data to be transferred.

The segment interval defines the repetition rate of the SLIMbus slots allocated to consecutive data samples for a given data channel. The presence rate (PR) is the nominal sample rate of the audio path. The segment rate (determined by the segment interval value) must be equal to or greater than the presence rate for a given data channel. The following constraints must be observed when configuring a SLIMbus channel:

- If pushed or pulled transport protocol is selected, the segment rate must be greater than the presence rate to ensure that samples are not dropped as a result of clock drift.
- If isochronous transport protocol is selected, the segment rate must be equal to the presence rate. Isochronous transport protocol should be selected only if the data source is frequency locked to the SLIMbus CLK (i.e., the data source is synchronized to the SLIMbus framer device).

4.10 SLIMbus Control Sequences

This section describes the messages and general protocol associated with the SLIMbus system.

Note: The SLIMbus specification permits flexibility in core message support for different components. See [Section 4.11](#) for details regarding which messages are supported on each of the SLIMbus devices present on the CS47L90.

4.10.1 Device Management and Configuration

This section describes the SLIMbus messages associated with configuring all devices on the SLIMbus interface.

When the SLIMbus interface starts up, it is required that only one component provides the manager and framer device functions. Other devices can request connection to the bus after they have gained synchronization.

The REPORT_PRESENT (DC, DCV) message may be issued by devices attempting to connect to the bus. The payload of this message contains the device class (DC) and device class version (DCV) parameters, describing the type of device that is attempting to connect. This message may be issued autonomously by the connecting device, or else in response to a REQUEST_SELF_ANNOUNCEMENT message from the manager device.

After positively acknowledging the REPORT_PRESENT message, the manager device then issues the ASSIGN_LOGICAL_ADDRESS (LA) message to allow the other device to connect to the bus. The payload of this message contains the logical address (LA) parameter only; this is the unique address by which the connected device sends and receives SLIMbus messages. The device is then said to be enumerated.

Once a device has been successfully connected to the bus, the logical address (LA) parameter can be changed at any time using the CHANGE_LOGICAL_ADDRESS (LA) message.

The RESET_DEVICE message commands an individual SLIMbus device to perform its reset procedure. As part of the reset, all associated ports are reset, and any associated data channels are canceled. Note that, if the RESET_DEVICE command is issued to an interface device, it causes a component reset (i.e., all devices within the associated component are reset). Under a component reset, every associated device releases its logical address, and the component becomes disconnected from the bus.

4.10.2 Information Management

A memory map of information elements is defined for each device. This is arranged in 3 x 1-kB blocks, comprising core value elements, device class-specific value elements, and user value elements respectively, as described in the MIPI specification. Note that the contents of the user information portion for each CS47L90 SLIMbus device are reserved.

Read/write access is implemented using the messages described as follows. Specific elements within the information map are identified using the element code (EC) parameter. In the case of read access, a unique transaction ID (TID) is assigned to each message relating to a particular read/write request.

- The REQUEST_INFORMATION (TID, EC) message is used to instruct a device to respond with the indicated information. The payload of this message contains the transaction ID (TID) and the element code (EC).
- The REQUEST_CLEAR_INFORMATION (TID, EC, CM) message is used to instruct a device to respond with the indicated information, and also to clear all, or parts, of the same information slice. The payload of this message contains the transaction ID (TID), element code (EC), and clear mask (CM). The clear mask field is used to select which elements are to be cleared as part of the instruction.
- The REPLY_INFORMATION (TID, IS) message is used to provide output of a requested parameter. The payload of this message contains the transaction ID (TID) and the information slice (IS). The information slice bytes contain the value of the requested parameter.
- The CLEAR_INFORMATION (EC, CM) message is used to clear all, or parts, of the indicated information slice. The payload of this message contains the element code (EC) and clear mask (CM). The clear mask field is used to select which elements are to be cleared as part of the instruction.
- The REPORT_INFORMATION (EC, IS) message is used to inform other devices about a change in a specified element in the information map. The payload of this message contains the element code (EC) and the information slice (IS). The information slice bytes contain the new value of the applicable parameter.

4.10.3 Value Management (Including Register Access)

A memory map of value elements is defined for each device. This is arranged in 3 x 1-kB blocks, comprising core value elements, device class-specific value elements, and user value elements respectively, as described in the MIPI specification. These elements are typically parameters used to configure device behavior.

The user value elements of the interface device are used on CS47L90 to support read/write access to the register map. Details of how to access specific registers are described in [Section 4.11](#). Note that, with the exception of the user value elements of the interface device, the contents of the user value portion for each CS47L90 SLIMbus device are reserved.

Read/write access is implemented using the messages described as follows. Specific elements within the value map are identified using the element code (EC) parameter. In the case of read access, a unique transaction ID (TID) is assigned to each message relating to a particular read/write request.

- The REQUEST_VALUE (TID, EC) message is used to instruct a device to respond with the indicated information. The payload of this message contains the transaction ID (TID) and the element code (EC).
- The REPLY_VALUE (TID, VS) message is used to provide output of a requested parameter. The payload of this message contains the transaction ID (TID) and the value slice (VS). The value slice bytes contain the value of the requested parameter.
- The CHANGE_VALUE (EC, VU) message is used to write data to a specified element in the value map. The payload of this message contains the element code (EC) and the value update (VU). The value update bytes contain the new value of the applicable parameter.

4.10.4 Frame and Clocking Management

This section describes the SLIMbus messages associated with changing the frame or clocking configuration. One or more configuration messages may be issued as part of a reconfiguration sequence; all of the updated parameters become active at once, when the reconfiguration boundary is reached.

- The BEGIN_RECONFIGURATION message is issued to define a reconfiguration boundary point: subsequent NEXT_* messages become active at the first valid superframe boundary following receipt of the RECONFIGURE_NOW message. (A valid boundary must be at least two slots after the end of the RECONFIGURE_NOW message.) Both of these messages have no payload content.
- The NEXT_ACTIVE_FRAMER (LAIF, NCo, NCi) message is used to select a new device as the active framer. The payload of this message includes the logical address, incoming framer (LAIF). Two other fields (NCo, NCi) define the number of clock cycles for which the CLK line shall be inactive during the handover.
- The NEXT_SUBFRAME_MODE (SM) and NEXT_CLOCK_GEAR (CG) messages are used to reconfigure the SLIMbus clocking or framing definition. The payload of each is the respective subframe mode (SM) or clock gear (CG) respectively.
- The NEXT_PAUSE_CLOCK (RT) message instructs the active framer to pause the bus. The payload of the message contains the restart time (RT), which indicates whether the interruption is to be of a specified time and/or phase duration.
- The NEXT_RESET_BUS message instructs all components on the bus to be reset. In this case, all devices on the bus are reset and are disconnected from the bus. Subsequent reconnection to the bus follows the same process as when the bus is first initialized.
- The NEXT_SHUTDOWN_BUS message instructs all devices that the bus is to be shut down.

4.10.5 Data Channel Configuration

This section describes the SLIMbus messages associated with configuring a SLIMbus data channel. Note that the manager device is responsible for allocating the available bandwidth as required for each data channel.

- The CONNECT_SOURCE (PN, CN) and CONNECT_SINK (PN, CN) messages are issued to the respective devices, defining the ports between which a data channel is to be established. Note that multiple destinations (sinks) can be configured for a channel, if required. The payload of each message contains the port number (PN) and the channel number (CN) parameters.
- The BEGIN_RECONFIGURATION message is issued to define a Reconfiguration Boundary point: subsequent NEXT_* messages become active at the first valid superframe boundary following receipt of the RECONFIGURE_NOW message. A valid boundary must be at least two slots after the end of the RECONFIGURE_NOW message.
- The NEXT_DEFINE_CHANNEL (CN, TP, SD, SL, LN) message informs the associated devices of the structure of the data channel. The payload of this message contains the channel number (CN), TP, SD, SL, and LN parameters for the data channel.
- The NEXT_DEFINE_CONTENT (CN, FL, PR, AF, DT, CL, DL), or CHANGE_CONTENT (CN, FL, PR, AF, DT, CL, DL) message provides more detailed information about the data channel contents. The payload of this message contains the channel number (CN), frequency locked (FL), presence rate (PR), auxiliary bits format (AF), data type (DT), channel link (CL), and data length (DL) parameters.
- The NEXT_ACTIVATE_CHANNEL (CN) message instructs the channel to be activated at the next reconfiguration boundary. The payload of this message contains the channel number (CN) only.
- The RECONFIGURE_NOW message completes the reconfiguration sequence, causing all of the NEXT_* messages since the BEGIN_RECONFIGURATION to become active at the next valid superframe boundary. (A valid boundary must be at least two slots after the end of the RECONFIGURE_NOW message.)
- Active channels can be reconfigured using the CHANGE_CONTENT, NEXT_DEFINE_CONTENT, or NEXT_DEFINE_CHANNEL messages. Note that these changes can be effected without interrupting the data channel; the NEXT_DEFINE_CHANNEL, for example, may be used to change a segment distribution, in order to reallocate the SLIMbus bandwidth.
- An active channel can be paused using the NEXT_DEACTIVATE_CHANNEL message and reinstated using the NEXT_ACTIVATE_CHANNEL message.

- Data channels can be disconnected using the DISCONNECT_PORT or NEXT_REMOVE_CHANNEL messages. These messages provide equivalent functionality, but use different parameters (PN or CN respectively) to identify the affected signal path.

4.11 SLIMbus Interface Control

The CS47L90 features a MIPI-compliant SLIMbus interface. It supports multichannel audio input/output, control register read/write access, and bulk data channels suitable for DSP firmware operations.

The SLIMbus interface on CS47L90 comprises a generic device, framer device, interface device, and 22 data ports, providing up to 11 input (RX) channels and up to 11 output (TX) channels. Multiline capability is supported, offering additional bandwidth and system-level flexibility.

The interface supports up to eight audio input channels and up to eight audio output channels. Mixed sample rates can be supported simultaneously. The audio signal paths associated with the SLIMbus interface are described in [Section 4.3](#).

The CS47L90 also supports up to three input and three output channels suitable for high-speed bulk data transfers. Note that the secondary data lines are ideal for bulk data transfers, as they offer the highest bandwidth capability.

The SLIMbus interface also supports read/write access to the CS47L90 control registers via the value map of the interface device, as described in [Section 4.11.6](#).

The SLIMbus clocking rate and channel allocations are controlled by the manager device. The message channel and data channel bandwidth may be dynamically adjusted according to the application requirements. Note that the manager device functions are not implemented on the CS47L90, and these bandwidth allocation requirements are outside the scope of this data sheet.

The SLIMbus interface provides full support for 32-bit data words (input and output). Audio data samples up to 32 bits can be routed to the AIF1, AIF3, SLIMbus, and S/PDIF outputs. Note that other signal paths and signal-processing blocks within the digital core are limited to 24-bit data length; data samples are truncated to 24-bit length if they are routed through any function that does not support 32-bit data words.

4.11.1 SLIMbus Device Parameters

The SLIMbus interface on the CS47L90 comprises three devices. The enumeration address of each device within the SLIMbus interface is derived from the parameters noted in [Table 4-62](#).

Table 4-62. SLIMbus Device Parameters

Description	Manufacturer ID	Product Code	Device ID	Instance Value	Enumeration Address
Generic	0x01FA	0x6364	0x00	0x00	01FA_6364_0000
Framer	0x01FA	0x6364	0x55	0x00	01FA_6364_5500
Interface	0x01FA	0x6364	0x7F	0x00	01FA_6364_7F00

4.11.2 SLIMbus Message Support

The SLIMbus interface on the CS47L90 supports bus messages as described in [Table 4-63](#) and [Table 4-64](#).

Table 4-63. SLIMbus Message Support

Category	Message Code MC[6:0]	Description	Generic	Framer	Interface
Device Management Messages	0x01	REPORT_PRESENT (DC, DCV)	S	S	S
	0x02	ASSIGN_LOGICAL_ADDRESS (LA)	D	D	D
	0x04	RESET_DEVICE ()	D	D	D
	0x08	CHANGE_LOGICAL_ADDRESS (LA)	D	D	D
	0x09	CHANGE_ARBITRATION_PRIORITY (AP)	—	—	—
	0x0C	REQUEST_SELF_ANNOUNCEMENT ()	D	D	D
	0x0F	REPORT_ABSENT ()	—	—	—

Table 4-63. SLIMbus Message Support (Cont.)

Category	Message Code MC[6:0]	Description	Generic	Framer	Interface
Data Channel Management Messages	0x10	CONNECT_SOURCE (PN, CN)	D	—	—
	0x11	CONNECT_SINK (PN, CN)	D	—	—
	0x14	DISCONNECT_PORT (PN)	D	—	—
	0x18	CHANGE_CONTENT (CN, FL, PR, AF, DT, CL, DL)	D	—	—
Information Management Messages	0x20	REQUEST_INFORMATION (TID, EC)	D	D	D
	0x21	REQUEST_CLEAR_INFORMATION (TID, EC, CM)	D	D	D
	0x24	REPLY_INFORMATION (TID, IS)	S	S	S
	0x28	CLEAR_INFORMATION (EC, CM)	D	D	D
Reconfiguration Messages	0x29	REPORT_INFORMATION (EC, IS)	—	—	S
	0x40	BEGIN_RECONFIGURATION ()	D	D	D
	0x44	NEXT_ACTIVE_FRAMER (LAIF, NCo, NCi)	—	D	—
	0x45	NEXT_SUBFRAME_MODE (SM)	—	D	D
	0x46	NEXT_CLOCK_GEAR (CG)	—	D	—
	0x47	NEXT_ROOT_FREQUENCY (RF)	—	D	—
	0x4A	NEXT_PAUSE_CLOCK (RT)	—	D	—
	0x4B	NEXT_RESET_BUS ()	—	D	—
	0x4C	NEXT_SHUTDOWN_BUS ()	—	D	—
	0x50	NEXT_DEFINE_CHANNEL (CN, TP, SD, SL, LN)	D	—	—
	0x51	NEXT_DEFINE_CONTENT (CN, FL, PR, AF, DT, CL, DL)	D	—	—
	0x54	NEXT_ACTIVATE_CHANNEL (CN)	D	—	—
	0x55	NEXT_DEACTIVATE_CHANNEL (CN)	D	—	—
	0x58	NEXT_REMOVE_CHANNEL (CN)	D	—	—
	0x5F	RECONFIGURE_NOW ()	D	D	D
Value Management Messages	0x60	REQUEST_VALUE (TID, EC)	—	—	D
	0x61	REQUEST_CHANGE_VALUE (TID, EC, VU)	—	—	—
	0x64	REPLY_VALUE (TID, VS)	—	—	S
	0x68	CHANGE_VALUE (EC, VU)	—	—	D

Notes:

- S = Supported as a source device only.
- D = Supported as a destination device only.

The CS47L90 SLIMbus component must be reset prior to scheduling a hardware reset or power-on reset. This can be achieved using the RESET_DEVICE message (issued to the CS47L90 interface device), or else using the NEXT_RESET_BUS message.

Additional notes on specific SLIMbus parameters are described in [Table 4-64](#).

Table 4-64. SLIMbus Parameter Support

Parameter Code	Description	Comments
AF	Auxiliary Bits Format	—
CG	Clock Gear	—
CL	Channel Link	—
CM	Clear Mask	CS47L90 does not fully support this function. The CM bytes of the REQUEST_CLEAR_INFORMATION or CLEAR_INFORMATION messages must not be sent to CS47L90 Devices. When either of these messages is received, all bits within the specified Information Slice are cleared.
CN	Channel Number	—
DC	Device Class	—
DCV	Device Class Variation	—
DL	Data Length	CS47L90 supports the following DL codes on the bulk data channel ports: 0x06 = 6 slots (24 data bits) 0x08 = 8 slots (32 data bits) All codes are supported via the CS47L90 audio channel ports.
DT	Data Type	CS47L90 supports the following DT codes: 0x0 = Not indicated 0x1 = LPCM audio Note that 2's complement PCM can be supported with DT = 0x0.

Table 4-64. SLIMbus Parameter Support (Cont.)

Parameter Code	Description	Comments
EC	Element Code	—
FL	Frequency Locked	—
IS	Information Slice	—
LA	Logical Address	—
LAIF	Logical Address, Incoming Framer	—
LN	Data Line	All LN codes (0–7) are supported. The LN value must be equal to one of the data lines that is mapped to one of the CS47L90 SLIMDAT _n pins. The mapping of the secondary SLIMDAT _n pins onto the SLIMbus data lines is configurable, using the value elements of the interface device. (Note that the primary data pin, SLIMDAT1, is always mapped to SLIMbus data line DATA0.)
NCi	Number of Incoming Framer Clock Cycles	—
NCo	Number of Outgoing Framer Clock Cycles	—
PN	Port Number	Note that the Port Numbers of the CS47L90 SLIMbus paths are register-configurable, as described in Table 4-67 .
PR	Presence Rate	Note that the Presence Rate must be the same as the sample rate selected for the associated CS47L90 SLIMbus path.
RF	Root Frequency	CS47L90 supports the following RF codes as Active Framer: 0x1 = 24.576 MHz 0x2 = 22.5792 MHz All codes are supported when CS47L90 is not the Active Framer.
RT	Restart Time	CS47L90 supports the following RT codes: 0x0 = Fast Recovery 0x2 = Unspecified Delay When either of these values is specified, the CS47L90 resumes toggling the CLK line within four cycles of the CLK line frequency.
SD	Segment Distribution	CS47L90 does not support SD code 0x400. All other defined segment distribution codes are supported. Note that any audio channels that are assigned the same SAMPLE_RATE _n or ASYNC_SAMPLE_RATE _n value must also be assigned the same Segment Interval.
SL	Segment Length	—
SM	Subframe Mode	—
TID	Transaction ID	—
TP	Transport Protocol	CS47L90 supports the following TP codes, according to the applicable audio or data port: Audio TX channel ports: 0x0 (Isochronous Protocol) or 0x1 (Pushed Protocol) Audio RX channel ports: 0x0 (Isochronous Protocol) or 0x2 (Pulled Protocol) Bulk data TX channel ports: 0x2 (Pulled Protocol) Bulk data RX channel ports: 0x1 (Pushed Protocol)
VS	Value Slice	—
VU	Value Update	—

4.11.3 SLIMbus Clocking Control

The clock frequency of the SLIMbus interface is not fixed, and may be set according to the application requirements. The clock frequency can be reconfigured dynamically as required.

The CS47L90 SLIMbus interface includes a framer device. When configured as the active framer, the SLIMbus clock (SLIMCLK) is an output from the CS47L90. At other times, SLIMCLK is an input. The framer function can be transferred from one device to another; this is known as framer handover, and is controlled by the manager device.

The supported root frequencies in active framer mode are 24.576 or 22.5792 MHz only. At other times, the supported root frequencies are as defined in the MIPI Alliance specification for SLIMbus.

Under normal operating conditions, the SLIMbus interface operates with a fixed root frequency (RF); dynamic updates to the bus rate are applied using a selectable clock gear (CG) function. The root frequency and the clock gear setting are controlled by the manager device; these parameters are transmitted in every SLIMbus superframe to all devices on the bus.

In Gear 10 (the highest clock gear setting), the SLIMCLK input (or output) frequency is equal to the root frequency. In lower gears, the SLIMCLK frequency is reduced by increasing powers of 2.

The clock gear definition is shown in [Table 4-65](#).

Note: The 24.576MHz root frequency is an example only; other frequencies are also supported.

Table 4-65. SLIMbus Clock Gear Selection

Clock Gear	Description	SLIMCLK Frequency ¹
10	Divide by 1	24.576 MHz
9	Divide by 2	12.288 MHz
8	Divide by 4	6.144 MHz
7	Divide by 8	3.072 MHz
6	Divide by 16	1.536 MHz
5	Divide by 32	768 kHz
4	Divide by 64	384 kHz
3	Divide by 128	192 kHz
2	Divide by 256	96 kHz
1	Divide by 512	48 kHz

1. Assuming 24.576-MHz root frequency

When the CS47L90 is the active framer, the SLIMCLK output is synchronized to the SYSCLK or ASYNCCLK system clock, as selected by the SLIMCLK_SRC bit.

The applicable system clock must be enabled and configured at the SLIMbus root frequency, whenever the CS47L90 is the active framer. See [Section 4.17](#) for details of the SYSCLK and ASYNCCLK system clocks.

When the CS47L90 is not configured as the active framer device, the SLIMCLK input can be used to provide a reference source for the FLLs. The frequency of this reference is controlled using SLIMCLK_REF_GEAR, as described in [Table 4-66](#).

The SLIMbus clock reference is generated using an adaptive divider on the SLIMCLK input. The divider automatically adapts to the SLIMbus clock gear (CG).

Note that, if the clock gear on the bus is lower than the SLIMCLK_REF_GEAR, the selected reference frequency cannot be supported, and the SLIMbus clock reference is disabled.

The SLIMbus clock reference is selected as input to the FLLs by using FLL_n_REFCLK_SRC. See [Section 4.17](#) for details of system clocking and the FLLs.

Table 4-66. SLIMbus Clock Reference Control

Register Address	Bit	Label	Default	Description
R1507 (0x05E3) SLIMbus_Framer_Ref_Gear	4	SLIMCLK_SRC	0	SLIMbus Clock source Selects the SLIMbus reference clock in Active Framer mode. 0 = SYSCLK 1 = ASYNCCLK Note that the applicable clock must be enabled, and configured at the SLIMbus Root Frequency, in Active Framer mode.
	3:0	SLIMCLK_REF_GEAR[3:0]	0x0	SLIMbus Clock Reference control. Sets the SLIMbus reference clock relative to the SLIMbus Root Frequency (RF). 0x0 = Clock stopped 0x4 = Gear 4. (RF/64) 0x8 = Gear 8. (RF/4) 0x1 = Gear 1. (RF/512) 0x5 = Gear 5. (RF/32) 0x9 = Gear 9. (RF/2) 0x2 = Gear 2. (RF/256) 0x6 = Gear 6. (RF/16) 0xA = Gear 10. (RF) 0x3 = Gear 3. (RF/128) 0x7 = Gear 7. (RF/8) All other codes are reserved

4.11.4 SLIMbus Audio Channel Control

4.11.4.1 Port Number Control

The CS47L90 SLIMbus interface supports up to eight audio input (RX) channels and up to eight audio output (TX) channels. The port numbers for these channels are configurable using the fields described in [Table 4-67](#).

Table 4-67. SLIMbus Audio Port Number Control

Register Address	Bit	Label	Default	Description
R1490 (0x05D2)	13:8	SLIMRX2_PORT_ADDR[5:0]	0x01	SLIMbus RX Channel n Port number Valid from 0–31
SLIMbus_RX_Ports0	5:0	SLIMRX1_PORT_ADDR[5:0]	0x00	
R1491 (0x05D3)	13:8	SLIMRX4_PORT_ADDR[5:0]	0x03	
SLIMbus_RX_Ports1	5:0	SLIMRX3_PORT_ADDR[5:0]	0x02	
R1492 (0x05D4)	13:8	SLIMRX6_PORT_ADDR[5:0]	0x05	
SLIMbus_RX_Ports2	5:0	SLIMRX5_PORT_ADDR[5:0]	0x04	
R1493 (0x05D5)	13:8	SLIMRX8_PORT_ADDR[5:0]	0x07	SLIMbus TX Channel n Port number Valid from 0–31
SLIMbus_RX_Ports3	5:0	SLIMRX7_PORT_ADDR[5:0]	0x06	
R1494 (0x05D6)	13:8	SLIMTX2_PORT_ADDR[5:0]	0x09	
SLIMbus_TX_Ports0	5:0	SLIMTX1_PORT_ADDR[5:0]	0x08	
R1495 (0x05D7)	13:8	SLIMTX4_PORT_ADDR[5:0]	0x0B	
SLIMbus_TX_Ports1	5:0	SLIMTX3_PORT_ADDR[5:0]	0x0A	
R1496 (0x05D8)	13:8	SLIMTX6_PORT_ADDR[5:0]	0x0D	SLIMbus TX Channel n Port number Valid from 0–31
SLIMbus_TX_Ports2	5:0	SLIMTX5_PORT_ADDR[5:0]	0x0C	
R1497 (0x05D9)	13:8	SLIMTX8_PORT_ADDR[5:0]	0x0F	
SLIMbus_TX_Ports3	5:0	SLIMTX7_PORT_ADDR[5:0]	0x0E	

4.11.4.2 Sample-Rate Control

The SLIMbus audio inputs may be selected as input to the digital mixers or signal-processing functions within the CS47L90 digital core. The SLIMbus audio outputs are derived from the respective output mixers.

The sample rate for each SLIMbus channel is configured using SLIMRX_n_RATE and SLIMTX_n_RATE—see [Table 4-26](#).

Note that the SLIMbus interface provides simultaneous support for SYSCLK-referenced and ASYNCCLK-referenced sample rates on different channels. For example, 48-kHz and 44.1-kHz SLIMbus audio paths can be simultaneously supported.

Sample-rate conversion is required when routing the SLIMbus paths to any signal chain that is asynchronous or configured for a different sample rate.

4.11.4.3 Signal Path Enable

The SLIMbus interface supports up to eight audio input (RX) channels and up to eight audio output (TX) channels. Each channel can be enabled or disabled using the fields defined in [Table 4-68](#).

Note: SLIMbus audio channels can be supported only when the corresponding ports have been enabled by the manager device (i.e., in addition to setting the respective enable bits). The status bits in Registers R1527 and R1528 indicate the status of each SLIMbus port.

The system clock, SYSCLK, must be configured and enabled before any audio path is enabled. The ASYNCCLK may also be required, depending on the path configuration. See [Section 4.17](#) for details of the system clocks.

Table 4-68. SLIMbus Signal Path Enable

Register Address	Bit	Label	Default	Description
R1525 (0x05F5) SLIMbus_RX_Channel_Enable	7	SLIMRX8_ENA	0	SLIMbus RX Channel n Enable 0 = Disabled 1 = Enabled
	6	SLIMRX7_ENA	0	
	5	SLIMRX6_ENA	0	
	4	SLIMRX5_ENA	0	
	3	SLIMRX4_ENA	0	
	2	SLIMRX3_ENA	0	
	1	SLIMRX2_ENA	0	
	0	SLIMRX1_ENA	0	
R1526 (0x05F6) SLIMbus_TX_Channel_Enable	7	SLIMTX8_ENA	0	SLIMbus TX Channel n Enable 0 = Disabled 1 = Enabled
	6	SLIMTX7_ENA	0	
	5	SLIMTX6_ENA	0	
	4	SLIMTX5_ENA	0	
	3	SLIMTX4_ENA	0	
	2	SLIMTX3_ENA	0	
	1	SLIMTX2_ENA	0	
	0	SLIMTX1_ENA	0	
R1527 (0x05F7) SLIMbus_RX_Port_Status	7	SLIMRX8_PORT_STS	0	SLIMbus RX Channel n Port Status (Read only) 0 = Disabled 1 = Configured and active
	6	SLIMRX7_PORT_STS	0	
	5	SLIMRX6_PORT_STS	0	
	4	SLIMRX5_PORT_STS	0	
	3	SLIMRX4_PORT_STS	0	
	2	SLIMRX3_PORT_STS	0	
	1	SLIMRX2_PORT_STS	0	
	0	SLIMRX1_PORT_STS	0	
R1528 (0x05F8) SLIMbus_TX_Port_Status	7	SLIMTX8_PORT_STS	0	SLIMbus TX Channel n Port Status (Read only) 0 = Disabled 1 = Configured and active
	6	SLIMTX7_PORT_STS	0	
	5	SLIMTX6_PORT_STS	0	
	4	SLIMTX5_PORT_STS	0	
	3	SLIMTX4_PORT_STS	0	
	2	SLIMTX3_PORT_STS	0	
	1	SLIMTX2_PORT_STS	0	
	0	SLIMTX1_PORT_STS	0	

4.11.5 SLIMbus Bulk Data Channel Control

4.11.5.1 Port Number Control

The CS47L90 SLIMbus interface supports up to three bulk data input (RX) channels and up to three bulk data output (TX) channels. The port numbers for these channels are configurable using the fields described in [Table 4-69](#).

Table 4-69. SLIMbus Bulk Data Port Number Control

Register Address	Bit	Label	Default	Description
R270340 (0x4_2004) SLIMbus_RX_Ports9	5:0	SLIMRX9_PORT_ADDR[5:0]	0x10	SLIMbus RX Channel n Port number Valid from 0–31
R270346 (0x4_200A) SLIMbus_RX_Ports10	5:0	SLIMRX10_PORT_ADDR[5:0]	0x11	
R270352 (0x4_2010) SLIMbus_RX_Ports11	5:0	SLIMRX11_PORT_ADDR[5:0]	0x12	
R270358 (0x4_2016) SLIMbus_TX_Ports9	5:0	SLIMTX9_PORT_ADDR[5:0]	0x18	SLIMbus TX Channel n Port number Valid from 0–31
R270364 (0x4_201C) SLIMbus_TX_Ports10	5:0	SLIMTX10_PORT_ADDR[5:0]	0x19	
R270370 (0x4_2022) SLIMbus_TX_Ports11	5:0	SLIMTX11_PORT_ADDR[5:0]	0x1A	

4.11.5.2 Data Transfer Configuration

Bulk data transfers over the SLIMbus interface are configured by defining the start address location within the register map; this is the address of the first data word in the transfer. The address location automatically increments for each data word transmitted or received. The start address for each bulk data channel is configured using the fields described in [Table 4-70](#).

Note that a SLIMbus channel must also be configured and activated, with the required bandwidth for the intended transfer. The secondary data lines are ideal for bulk data transfers, as they offer the highest bandwidth capability.

Note: The start address value in the SLIMbus bulk data transfer x_ADDR fields is coded in byte units—different to the register address definitions throughout this data sheet. The required value of the x_ADDR fields is calculated by multiplying the respective register address by two. For example, to write to the DSP2 program memory, at start address 0x10_0000, the SLIMRX n_START_ADDR field is set to 0x20_0000.

The address autoincrement step size is fixed at 4 bytes, corresponding to successive addresses within the 32-bit register space (from 0x3000 upwards). Accordingly, the SLIMbus bulk data transfer mode is only suitable for memory read/write operations at address 0x3000 and above.

Data transfers using the bulk transfer mode must be configured with data length of 24- or 32-bits only.

The bulk data input channels use pushed transport protocol only. The output channels use pulled transport protocol only. In each case, therefore, the bulk data transfer to/from the CS47L90 is controlled by the host device (typically, the applications processor). The bulk data transfer completes when the host device ceases to push/pull data over the respective channel.

The SLIMbus channel must be deactivated (using the NEXT_DEACTIVATE_CHANNEL message) after the bulk data transfer has completed, before any subsequent bulk transfer is scheduled on that channel.

The address of the most recent data word transferred can be read from the SLIMTX n_ADDR and SLIMRX n_ADDR fields (where n is 9, 10, or 11 for the respective bulk data channel). This can be used to indicate the progress of an ongoing data transfer, or confirmation of completion.

Table 4-70. SLIMbus Bulk Data Transfer Control

Register Address	Bit	Label	Default	Description
R270338 (0x4_2002) SLIMbus_RX_Start_Addr9	23:0	SLIMRX9_START_ADDR[23:0]	0x00_0000	SLIMbus RX Channel 9 Start Address
R270342 (0x4_2006) SLIMbus_RX_Port_Status9	23:0	SLIMRX9_ADDR[23:0]	0x00_0000	SLIMbus RX Channel 9 Current Address
R270344 (0x4_2008) SLIMbus_RX_Start_Addr10	23:0	SLIMRX10_START_ADDR[23:0]	0x00_0000	SLIMbus RX Channel 10 Start Address
R270348 (0x4_200C) SLIMbus_RX_Port_Status10	23:0	SLIMRX10_ADDR[23:0]	0x00_0000	SLIMbus RX Channel 10 Current Address
R270350 (0x4_200E) SLIMbus_RX_Start_Addr11	23:0	SLIMRX11_START_ADDR[23:0]	0x00_0000	SLIMbus RX Channel 11 Start Address
R270354 (0x4_2012) SLIMbus_RX_Port_Status11	23:0	SLIMRX11_ADDR[23:0]	0x00_0000	SLIMbus RX Channel 11 Current Address
R270356 (0x4_2014) SLIMbus_TX_Start_Addr9	23:0	SLIMTX9_START_ADDR[23:0]	0x00_0000	SLIMbus TX Channel 9 Start Address
R270360 (0x4_2018) SLIMbus_TX_Port_Status9	23:0	SLIMTX9_ADDR[23:0]	0x00_0000	SLIMbus TX Channel 9 Current Address
R270362 (0x4_201A) SLIMbus_TX_Start_Addr10	23:0	SLIMTX10_START_ADDR[23:0]	0x00_0000	SLIMbus TX Channel 10 Start Address
R270366 (0x4_201E) SLIMbus_TX_Port_Status10	23:0	SLIMTX10_ADDR[23:0]	0x00_0000	SLIMbus TX Channel 10 Current Address
R270368 (0x4_2020) SLIMbus_TX_Start_Addr11	23:0	SLIMTX11_START_ADDR[23:0]	0x00_0000	SLIMbus TX Channel 11 Start Address
R270372 (0x4_2024) SLIMbus_TX_Port_Status11	23:0	SLIMTX11_ADDR[23:0]	0x00_0000	SLIMbus TX Channel 11 Current Address

4.11.6 SLIMbus Control Register Access

The SLIMbus interface supports read/write access to the CS47L90 control registers via the value map of the interface device. Full read/write access to all registers is possible, via the user value elements portion of the value map.

Note that if multibyte transfers of more than 8 bytes are scheduled (see [Section 4.11.6.3](#)), system clocking constraints must be observed to ensure control interface limits are not exceeded. Full details of the applicable clocking requirements are provided in [Section 4.17.7](#).

4.11.6.1 Control Register Write

Register write operations are implemented using the CHANGE_VALUE message. A maximum of two messages may be required, depending on circumstances: the first CHANGE_VALUE message selects the register page (bits [23:8] of the control register address); the second message contains the data and bits [7:0] of the register address. The first message may be omitted if the register page is unchanged from the previous read or write operation.

The required SLIMbus parameters are described in [Table 4-71](#) and [Table 4-72](#), for the generic case of writing the value 0xVVVV to control register address 0xYYYYZZ. Note that it is also possible to write blocks of up to 16 bytes (to consecutive register addresses), as described in [Section 4.11.6.3](#).

Table 4-71. Register Write Message (1)—CHANGE_VALUE

Parameter	Value	Description
Source Address	0xSS	SS is the 8-bit logical address of the message source. This could be any active device on the bus, but is typically the manager device (0xFF).
Destination Address	0xLL	LL is the 8-bit logical address of the message destination (i.e., the CS47L90 SLIMbus interface device). The value is assigned by the SLIMbus manager device.
Access Mode	0b1	Selects byte-based access mode.
Byte Address	0x800	Identifies the user value element for selecting the control register page address.
Slice Size	0b001	Selects 2-byte slice size
Value Update	0xYYYY	YYYY is bits [23:8] of the applicable control register address.

Table 4-72. Register Write Message (2)—CHANGE_VALUE

Parameter	Value	Description
Source Address	0xSS	SS is the 8-bit logical address of the message source. This could be any active device on the bus, but is typically the manager device (0xFF).
Destination Address	0xLL	LL is the 8-bit logical address of the message destination (i.e., the CS47L90 SLIMbus interface device). The value is assigned by the SLIMbus manager device.
Access Mode	0b1	Selects byte-based access mode.
Byte Address	0xUUU	Specifies the value map address, calculated as 0xA00 + (2 x 0xZZ), where ZZ is bits [7:0] of the applicable control register address.
Slice Size	0b001	Selects 2-byte slice size
Value Update	0xVVVV	VVVV is the 16-bit data to be written.

Note: The first message may be omitted if its contents are unchanged from the previous CHANGE_VALUE message sent to the CS47L90.

4.11.6.2 Control Register Read

Register read operations are implemented using the CHANGE_VALUE and REQUEST_VALUE messages. A maximum of two messages may be required, depending on circumstances: the CHANGE_VALUE message selects the register page (bits [23:8] of the control register address); the REQUEST_VALUE message contains bits [7:0] of the register address. The first message may be omitted if the register page is unchanged from the previous read or write operation.

The required SLIMbus parameters are described in [Table 4-73](#) and [Table 4-74](#), for the generic case of reading the contents of control register address 0xYYYYZZ. Note that it is also possible to read blocks of up to 8 bytes (to consecutive register addresses), as described in [Section 4.11.6.3](#).

Table 4-73. Register Read Message (1)—CHANGE_VALUE

Parameter	Value	Description
Source Address	0xSS	SS is the 8-bit logical address of the message source. This could be any active device on the bus, but is typically the manager device (0xFF).
Destination Address	0xLL	LL is the 8-bit logical address of the message destination (i.e., the CS47L90 SLIMbus interface device). The value is assigned by the SLIMbus manager device.
Access Mode	0b1	Selects byte-based access mode.
Byte Address	0x800	Identifies the user value element for selecting the control register page address.
Slice Size	0b001	Selects 2-byte slice size
Value Update	0xYYYY	YYYY is bits [23:8] of the applicable control register address.

Table 4-74. Register Read Message (2)—REQUEST_VALUE

Parameter	Value	Description
Source Address	0xSS	SS is the 8-bit logical address of the message source. This could be any active device on the bus, but is typically the manager device (0xFF).
Destination Address	0xLL	LL is the 8-bit logical address of the message destination (i.e., the CS47L90 SLIMbus interface device). The value is assigned by the SLIMbus manager device.
Access Mode	0b1	Selects byte-based access mode.
Byte Address	0xUUU	Specifies the value map address, calculated as $0xA00 + (2 \times 0xZZ)$, where ZZ is bits [7:0] of the applicable control register address.
Slice Size	0b001	Selects 2-byte slice size
Transaction ID	0xTTTT	TTTT is the 16-bit transaction ID for the message. The value is assigned by the SLIMbus manager device.

Note: The first message may be omitted if its contents are unchanged from the previous CHANGE_VALUE message sent to the CS47L90.

The CS47L90 responds to the register read commands in accordance with the normal SLIMbus protocols.

Note that the CS47L90 assumes that sufficient control space slots are available in which to provide its response before the next REQUEST_VALUE message is received. The CS47L90 response is made using a REPLY_VALUE message; the SLIMbus manager should wait until the REPLY_VALUE message has been received before sending the next REQUEST_VALUE message. If additional REQUEST_VALUE messages are received before the CS47L90 response has been made, the earlier REQUEST_VALUE messages are ignored (i.e., only the last REQUEST_VALUE message is serviced).

4.11.6.3 Multibyte Control Register Access

Register data transfers of up to 16 bytes can be configured using the slice size parameter in the second message of the applicable protocol (see [Table 4-72](#) or [Table 4-74](#)). Additional value update words are appended to respective data message in this case, with the applicable data contents.

- Multibyte register write access is supported with slice size of 2, 4, 8, 12, or 16 bytes.
- Multibyte register read access is supported with slice size of 2, 4, or 8 bytes.

Note that if multibyte transfers of more than 8 bytes are scheduled, system clocking constraints must be observed to ensure control interface limits are not exceeded. See [Section 4.17.7](#).

When a 2-byte transfer is selected, the register address 0xYYYYZZ is used (using the same naming conventions as above). When more than 2 bytes are transferred, the register address is automatically incremented as described in [Table 4-75](#).

Table 4-75. SLIMbus Register Read/Write Sequence—16-Bit Register Space (< 0x3000)

Register Address (<0x3000)	Byte Sequence
Base address (0xYYYYZZ)	Bytes 2 and 1 (0xVVVV)
Base address + 1	Bytes 4 and 3
Base address + 2	Bytes 6 and 5
Base address + 3	Bytes 8 and 7
Base address + 4	Bytes 10 and 9

Table 4-75. SLIMbus Register Read/Write Sequence—16-Bit Register Space (< 0x3000) (Cont.)

Register Address (<0x3000)	Byte Sequence
Base address + 5	Bytes 12 and 11
Base address + 6	Bytes 14 and 13
Base address + 7	Bytes 16 and 15

Note: Register addresses from R12288 (0x3000) upwards are formatted as 32-bit words. When accessing these addresses, the slice size should be a multiple of 4 bytes and the byte address should be aligned with the 32-bit data word boundaries (i.e., an even number). The byte ordering for these register addresses is described in [Table 4-76](#).

Table 4-76. SLIMbus Register Read/Write Sequence—32-Bit Register Space (≥ 0x3000)

Register Address (≥0x3000)	Byte Sequence
Base address (0xYYYYZZ)	Bytes 4, 3, 2, 1
Base address + 2	Bytes 8, 7, 6, 5
Base address + 4	Bytes 12, 11, 10, 9
Base address + 6	Bytes 16, 15, 14, 13

4.12 Output Signal Path

The CS47L90 provides four stereo pairs of audio output signal paths. These outputs comprise ground-referenced headphone drivers, and a digital output interface suitable for external speaker drivers. The output signal paths are summarized in [Table 4-77](#).

Table 4-77. Output Signal Path Summary

Signal Path	Descriptions	Output Pins
OUT1L, OUT1R	Ground-referenced headphone/earpiece output	HPOUT1L, HPOUT1R
OUT2L, OUT2R	Ground-referenced headphone/earpiece output	HPOUT2L, HPOUT2R
OUT3L, OUT3R	Ground-referenced headphone/earpiece output	HPOUT3L, HPOUT3R
OUT5L, OUT5R	Digital speaker (PDM) output	SPKDAT, SPKCLK

The analog output paths incorporate high performance 24-bit sigma-delta DACs.

Under default conditions, the headphone drivers provide a stereo, single-ended output. A mono mode is also available on each headphone output pair, providing a differential (BTL) configuration. The ground-referenced headphone output paths incorporate a common mode feedback path for rejection of system-related noise. These outputs support direct connection to headphone loads, with no requirement for AC coupling capacitors.

The digital output path provides a stereo pulse-density modulation (PDM) output interface, for connection to external audio devices. A total of two digital output channels are provided.

Digital filters can be enabled in the output signal paths, supporting audiophile-quality DAC playback options. These hi-fi filters allow user selection of the preferred characteristics, (e.g., linear phase, antialiasing, or apodizing filter responses).

Digital volume control is available on all outputs (analog and digital), with programmable ramp control for smooth, glitch-free operation. A configurable noise-gate function is available on each output signal path. Any two of the output signal paths may be selected as input to the AEC loop-back paths.

The CS47L90 provides short-circuit detection on the headphone output paths.

The CS47L90 output signal paths are shown in [Fig. 4-51](#).

The OUT4 path is not implemented on this device.

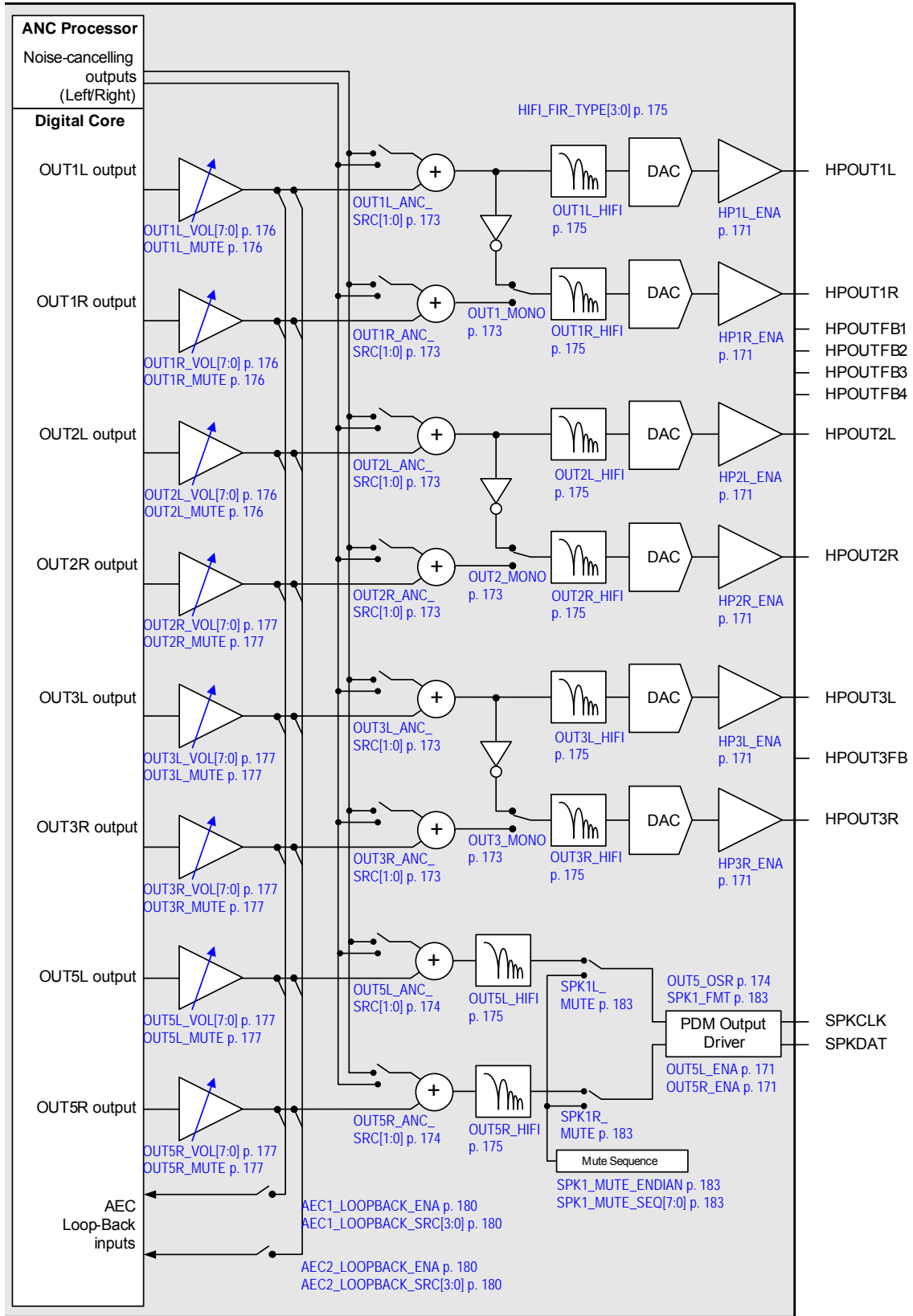


Figure 4-51. Output Signal Paths

4.12.1 Output Signal Path Enable

The output signal paths are enabled using the bits described in [Table 4-78](#). The respective bits must be enabled for analog or digital output on the respective output paths.

The output signal paths are muted by default. It is recommended that deselecting the mute should be the final step of the path enable control sequence. Similarly, the mute should be selected as the first step of the path disable control sequence. The output signal path mute functions are controlled using the bits described in [Table 4-78](#).

The supply rails for the analog outputs (OUT1, OUT2, and OUT3) are generated using an integrated dual-mode charge pump, CP1. The charge pump is enabled automatically by the CS47L90 when required by the output drivers; see [Section 4.20](#).

The CS47L90 schedules a pop-suppressed control sequence to enable or disable the OUT1, OUT2, and OUT3 signal paths. This is automatically managed by the control-write sequencer in response to setting the respective HP n x_ENA bits; see [Section 4.19](#) for further details.

The output signal path enable/disable control sequences are inputs to the interrupt circuit and can be used to trigger an interrupt event when a sequence completes; see [Section 4.16](#).

The system clock, SYSCLK, must be configured and enabled before any audio path is enabled. The ASYNCCLK may also be required, depending on the path configuration. See [Section 4.17](#) for details of the system clocks.

The CS47L90 performs automatic checks to confirm that the SYSCLK frequency is high enough to support the output signal paths and associated DACs. If the frequency is too low, an attempt to enable an output signal path fails. Note that active signal paths are not affected under such circumstances.

The status bits in Register R1025 and R1030 indicate the status of each output signal path. If an underclocked error condition occurs, these bits indicate which signal paths have been enabled.

Table 4-78. Output Signal Path Enable

Register Address	Bit	Label	Default	Description
R1024 (0x0400) Output_Enables_1	9	OUT5L_ENA	0	Output Path 5 (left) enable 0 = Disabled 1 = Enabled
	8	OUT5R_ENA	0	Output Path 5 (right) enable 0 = Disabled 1 = Enabled
	5	HP3L_ENA	0	Output Path 3 (left) enable 0 = Disabled 1 = Enabled
	4	HP3R_ENA	0	Output Path 3 (right) enable 0 = Disabled 1 = Enabled
	3	HP2L_ENA	0	Output Path 2 (left) enable 0 = Disabled 1 = Enabled
	2	HP2R_ENA	0	Output Path 2 (right) enable 0 = Disabled 1 = Enabled
	1	HP1L_ENA	0	Output Path 1 (left) enable 0 = Disabled 1 = Enabled
	0	HP1R_ENA	0	Output Path 1 (right) enable 0 = Disabled 1 = Enabled

Table 4-78. Output Signal Path Enable (Cont.)

Register Address	Bit	Label	Default	Description
R1025 (0x0401) Output_Status_1	9	OUT5L_ENA_STS	0	Output Path 5 (left) enable status 0 = Disabled 1 = Enabled
	8	OUT5R_ENA_STS	0	Output Path 5 (right) enable status 0 = Disabled 1 = Enabled
R1030 (0x0406) Raw_Output_Status_1	5	OUT3L_ENA_STS	0	Output Path 3 (left) enable status 0 = Disabled 1 = Enabled
	4	OUT3R_ENA_STS	0	Output Path 3 (right) enable status 0 = Disabled 1 = Enabled
	3	OUT2L_ENA_STS	0	Output Path 2 (left) enable status 0 = Disabled 1 = Enabled
	2	OUT2R_ENA_STS	0	Output Path 2 (right) enable status 0 = Disabled 1 = Enabled
	1	OUT1L_ENA_STS	0	Output Path 1 (left) enable status 0 = Disabled 1 = Enabled
	0	OUT1R_ENA_STS	0	Output Path 1 (right) enable status 0 = Disabled 1 = Enabled

4.12.2 Output Signal Path Sample-Rate Control

The output signal paths are derived from the respective output mixers within the CS47L90 digital core. The sample rate for the output signal paths is configured using `OUT_RATE`—see [Table 4-26](#).

Note that sample-rate conversion is required when routing the output signal paths to any signal chain that is asynchronous or configured for a different sample rate.

4.12.3 Output Signal Path Control

Under default register conditions, the headphone output (OUT1–OUT3) paths are configured for stereo output. The headphone paths can be configured for mono differential (BTL) output using the `OUTn_MONO` bits; this is ideal for driving an earpiece or hearing aid coil.

When the `OUTn_MONO` bit is set, the respective right channel output is an inverted copy of the left channel output signal; this creates a differential output between the respective outputs. The left and right channel output drivers must both be enabled in Mono Mode; both channels should be enabled simultaneously using the bits described in [Table 4-78](#).

The mono (BTL) signal paths are shown in [Fig. 4-51](#). Note that, in Mono Mode, the effective gain of the signal path is increased by 6 dB.

The SPKCLK frequency of the PDM output path (OUT5) is controlled by `OUT5_OSR`, as described in [Table 4-79](#). When the `OUT5_OSR` bit is set, the audio performance is improved, but power consumption is also increased.

Note that the SPKCLK frequencies noted in [Table 4-79](#) assume that the `SYSCCLK` frequency is a multiple of 6.144 MHz (`SYSCCLK_FRAC=0`). If the `SYSCCLK` frequency is a multiple of 5.6448 MHz (`SYSCCLK_FRAC = 1`), the SPKCLK frequency is scaled accordingly.

Table 4-79. SPKCLK Frequency

Condition	SPKCLK Frequency
<code>OUT5_OSR = 0</code>	3.072 MHz
<code>OUT5_OSR = 1</code>	6.144 MHz

The CS47L90 incorporates a stereo ANC processor that can provide noise reduction in many different operating conditions. The noise cancelation signals can be mixed into any of the output signal paths using the x_ANC_SRC fields, as described in [Table 4-80](#). See [Section 4.6](#) for further details of the ANC function.

The output signal path control registers are defined in [Table 4-80](#).

Table 4-80. Output Signal Path Control

Register Address	Bit	Label	Default	Description
R1040 (0x0410) Output_Path_ Config_1L	12	OUT1_MONO	0	Output Path 1 Mono Mode (Configures HPOUT1L and HPOUT1R as a mono differential output.) 0 = Disabled 1 = Enabled The gain of the signal path is increased by 6 dB in differential (mono) mode.
	11:10	OUT1L_ANC_ SRC[1:0]	00	OUT1L ANC Source Select 00 = Disabled 01 = ANC Left channel 10 = ANC Right channel 11 = Reserved
R1044 (0x0414) Output_Path_ Config_1R	11:10	OUT1R_ANC_ SRC[1:0]	00	OUT1R ANC Source Select 00 = Disabled 01 = ANC Left channel 10 = ANC Right channel 11 = Reserved
R1048 (0x0418) Output_Path_ Config_2L	12	OUT2_MONO	0	Output Path 2 Mono Mode (Configures HPOUT2L and HPOUT2R as a mono differential output.) 0 = Disabled 1 = Enabled The gain of the signal path is increased by 6 dB in differential (mono) mode.
	11:10	OUT2L_ANC_ SRC[1:0]	00	OUT2L ANC Source Select 00 = Disabled 01 = ANC Left channel 10 = ANC Right channel 11 = Reserved
R1052 (0x041C) Output_Path_ Config_2R	11:10	OUT2R_ANC_ SRC[1:0]	00	OUT2R ANC Source Select 00 = Disabled 01 = ANC Left channel 10 = ANC Right channel 11 = Reserved
R1056 (0x0420) Output_Path_ Config_3L	12	OUT3_MONO	0	Output Path 3 Mono Mode (Configures HPOUT3L and HPOUT3R as a mono differential output.) 0 = Disabled 1 = Enabled The gain of the signal path is increased by 6 dB in differential (mono) mode.
	11:10	OUT3L_ANC_ SRC[1:0]	00	OUT3L ANC Source Select 00 = Disabled 01 = ANC Left channel 10 = ANC Right channel 11 = Reserved
R1060 (0x0424) Output_Path_ Config_3R	11:10	OUT3R_ANC_ SRC[1:0]	00	OUT3R ANC Source Select 00 = Disabled 01 = ANC Left channel 10 = ANC Right channel 11 = Reserved

Table 4-80. Output Signal Path Control (Cont.)

Register Address	Bit	Label	Default	Description
R1072 (0x0430) Output_Path_ Config_5L	13	OUT5_OSR	0	Output Path 5 Oversample Rate 0 = Normal mode 1 = High Performance mode
	11:10	OUT5L_ANC_ SRC[1:0]	00	OUT5L ANC Source Select 00 = Disabled 01 = ANC Left channel 10 = ANC Right channel 11 = Reserved
R1076 (0x0434) Output_Path_ Config_5R	11:10	OUT5R_ANC_ SRC[1:0]	00	OUT5R ANC Source Select 00 = Disabled 01 = ANC Left channel 10 = ANC Right channel 11 = Reserved

4.12.4 Output Signal Path Digital Filter Control

An integrated signal-processing engine on the CS47L90 supports digital filter requirements for range of hi-fi applications. Preset filter coefficients are held in on-board ROM, and can be configured and enabled as required. The hi-fi filters are tailored to specific sample rates, and provide options relating to passband frequency, stopband attenuation, and phase-response characteristics.

The filter type is selected using the HIFI_FIR_TYPE field. The available filters are each described in [Table 4-81](#). The digital filter can be enabled in any output path, using the respective OUT_{nx}_HIFI bits.

Note that only one filter type can be selected at any time, but the applicable filter can be enabled on any number of output paths simultaneously. The supported sample rates for each filter type are noted in [Table 4-81](#)—the selected filter must be consistent with the output sample rate (OUT_RATE) setting.

The digital filter can be enabled or disabled independently in any output path. A short interruption to the playback if the filter type is changed while the hi-fi filters are enabled on any output path.

The hi-fi digital filters are described in [Table 4-81](#).

Table 4-81. Output Signal Path Digital Filter Types

Type	Sample Rate	Description	Passband	Stopband	Passband Ripple	Stopband Attenuation
0	48 kHz, 44.1 kHz	Deep stopband, linear phase	0.454 fs	0.546 fs	0.001 dB	120 dB
1		Deep stopband, minimum phase	0.454 fs	0.546 fs	0.001 dB	120 dB
2		Antialias, linear phase	0.417 fs	0.5 fs	0.001 dB	110 dB
3		Antialias, minimum phase	0.417 fs	0.5 fs	0.001 dB	110 dB
4	96 kHz, 88.2 kHz	Non-apodizing, linear phase	0.227 fs	0.5 fs	0.001 dB	120 dB
5		Non-apodizing, minimum phase	0.227 fs	0.5 fs	0.001 dB	120 dB
6		Apodizing, linear phase	0.227 fs	0.454 fs	0.001 dB	120 dB
7		Apodizing, minimum phase	0.227 fs	0.454 fs	0.001 dB	120 dB
8	192 kHz, 176.4 kHz	Non-apodizing, linear phase	0.114 fs	0.5 fs	0.001 dB	125 dB
9		Non-apodizing, minimum phase	0.114 fs	0.5 fs	0.001 dB	125 dB
10		Apodizing, linear phase	0.114 fs	0.454 fs	0.001 dB	125 dB
11		Apodizing, minimum phase	0.114 fs	0.454 fs	0.001 dB	125 dB

At 48 kHz (or 44.1 kHz) sample rate, the key parameters of the hi-fi digital filters are the stopband attenuation and phase response. The stopband characteristics are noted in [Table 4-81](#).

The choice between linear phase and minimum phase filters determines time-domain effects of the filter transfer function. Linear phase offers zero group delay, and equal levels of pre- and postringing. Minimum phase offers minimum prestringing and latency, but higher levels of postringing and group delay distortion.

For sample rates above 48kHz, a choice between apodizing and non-apodizing filters is available. Apodizing filters have the capability to reduce time-domain distortion—this can be used to eliminate time smear effects introduced by other filters in the signal chain, provided the other filters have a flat frequency response throughout the apodizing filter’s cut-off region. The cut-off (stopband) frequency of the apodizing filters are slightly lower than the respective non-apodizing filter response.

The hi-fi digital filter control registers are described in [Table 4-82](#).

Table 4-82. Output Signal Path Digital Filter Control

Register Address	Bit	Label	Default	Description
R1040 (0x0410) Output_Path_ Config_1L	14	OUT1L_HIFI	0	Output Path 1 (Left) Hi-Fi Filter Enable 0 = Disabled 1 = Enabled
R1044 (0x0414) Output_Path_ Config_1R	14	OUT1R_HIFI	0	Output Path 1 (Right) Hi-Fi Filter Enable 0 = Disabled 1 = Enabled
R1048 (0x0418) Output_Path_ Config_2L	14	OUT2L_HIFI	0	Output Path 2 (Left) Hi-Fi Filter Enable 0 = Disabled 1 = Enabled
R1052 (0x041C) Output_Path_ Config_2R	14	OUT2R_HIFI	0	Output Path 2 (Right) Hi-Fi Filter Enable 0 = Disabled 1 = Enabled
R1056 (0x0420) Output_Path_ Config_3L	14	OUT3L_HIFI	0	Output Path 3 (Left) Hi-Fi Filter Enable 0 = Disabled 1 = Enabled
R1060 (0x0424) Output_Path_ Config_3R	14	OUT3R_HIFI	0	Output Path 3 (Right) Hi-Fi Filter Enable 0 = Disabled 1 = Enabled
R1072 (0x0430) Output_Path_ Config_5L	14	OUT5L_HIFI	0	Output Path 5 (Left) Hi-Fi Filter Enable 0 = Disabled 1 = Enabled
R1076 (0x0434) Output_Path_ Config_5R	14	OUT5R_HIFI	0	Output Path 5 (Right) Hi-Fi Filter Enable 0 = Disabled 1 = Enabled
R1102 (0x044E) Filter_Control	3:0	HIFI_FIR_ TYPE[3:0]	0x0	Output Path Hi-Fi Filter Select 0x0 = 48 kHz deep stopband, linear phase 0x1 = 48 kHz deep stopband, minimum phase 0x2 = 48 kHz antialias, linear phase 0x3 = 48 kHz antialias, minimum phase 0x4 = 96 kHz non-apodizing, linear phase 0x5 = 96 kHz non-apodizing, minimum phase 0x6 = 96 kHz apodizing, linear phase 0x7 = 96 kHz apodizing, minimum phase 0x8 = 192 kHz non-apodizing, linear phase 0x9 = 192 kHz non-apodizing, minimum phase 0xA = 192 kHz apodizing, linear phase 0xB = 192 kHz apodizing, minimum phase All other codes are reserved

4.12.5 Output Signal Path Digital Volume Control

A digital volume control is provided on each output signal path, providing –64 to +31.5 dB gain control in 0.5-dB steps. An independent mute control is also provided for each output signal path.

Whenever the gain or mute setting is changed, the signal path gain is ramped up or down to the new settings at a programmable rate. For increasing gain (or unmute), the rate is controlled by OUT_VI_RAMP. For decreasing gain (or mute), the rate is controlled by OUT_VD_RAMP.

Note: The OUT_VI_RAMP and OUT_VD_RAMP fields should not be changed while a volume ramp is in progress.

The OUT_VU bits control the loading of the output signal path digital volume and mute controls. When OUT_VU is cleared, the digital volume and mute settings are loaded into the respective control register, but does not actually change the signal path gain. The digital volume and mute settings on all of the output signal paths are updated when a 1 is written to OUT_VU. This makes it possible to update the gain of multiple signal paths simultaneously.

Note that, although the digital-volume controls provide 0.5-dB steps, the internal circuits provide signal gain adjustment in 0.125-dB steps. This allows a very high degree of gain control—smooth volume ramping under all operating conditions.

The digital volume control registers are described in [Table 4-83](#) and [Table 4-84](#).

Table 4-83. Output Signal Path Digital Volume Control

Register Address	Bit	Label	Default	Description
R1033 (0x0409) Output_Volume_Ramp	6:4	OUT_VD_RAMP[2:0]	010	Output Volume Decreasing Ramp Rate (seconds/6 dB) This field should not be changed while a volume ramp is in progress. 000 = 0 ms 011 = 2 ms 110 = 15 ms 001 = 0.5 ms 100 = 4 ms 111 = 30 ms 010 = 1 ms 101 = 8 ms
	2:0	OUT_VI_RAMP[2:0]	010	Output Volume Increasing Ramp Rate (seconds/6 dB) This field should not be changed while a volume ramp is in progress. 000 = 0 ms 011 = 2 ms 110 = 15 ms 001 = 0.5 ms 100 = 4 ms 111 = 30 ms 010 = 1 ms 101 = 8 ms
R1041 (0x0411) DAC_Digital_Volume_1L	9	OUT_VU	See Footnote 1	Output Signal Paths Volume Update. Writing 1 to this bit causes the Output Signal Paths Volume and Mute settings to be updated simultaneously
	8	OUT1L_MUTE	1	Output Path 1 (Left) Digital Mute 0 = Unmute 1 = Mute
	7:0	OUT1L_VOL[7:0]	0x80	Output Path 1 (Left) Digital Volume (see Table 4-84 for volume register definition). –64 dB to +31.5 dB in 0.5-dB steps 0x00 = –64dB 0x80 = 0 dB 0xC0 to 0xFF = Reserved 0x01 = –63.5dB ... (0.5-dB steps) ... (0.5-dB steps) 0xBF = +31.5 dB
R1045 (0x0415) DAC_Digital_Volume_1R	9	OUT_VU	See Footnote 1	Output Signal Paths Volume Update. Writing 1 to this bit causes the Output Signal Paths Volume and Mute settings to be updated simultaneously
	8	OUT1R_MUTE	1	Output Path 1 (Right) Digital Mute 0 = Unmute 1 = Mute
	7:0	OUT1R_VOL[7:0]	0x80	Output Path 1 (Right) Digital Volume (see Table 4-84 for volume register definition). –64 dB to +31.5 dB in 0.5-dB steps 0x00 = –64 dB 0x80 = 0 dB 0xC0 to 0xFF = Reserved 0x01 = –63.5 dB ... (0.5-dB steps) ... (0.5-dB steps) 0xBF = +31.5 dB
R1049 (0x0419) DAC_Digital_Volume_2L	9	OUT_VU	See Footnote 1	Output Signal Paths Volume Update. Writing 1 to this bit causes the Output Signal Paths Volume and Mute settings to be updated simultaneously
	8	OUT2L_MUTE	1	Output Path 2 (Left) Digital Mute 0 = Unmute 1 = Mute
	7:0	OUT2L_VOL[7:0]	0x80	Output Path 2 (Left) Digital Volume (see Table 4-84 for volume register definition). –64 dB to +31.5 dB in 0.5-dB steps 0x00 = –64 dB 0x80 = 0 dB 0xC0 to 0xFF = Reserved 0x01 = –63.5 dB ... (0.5-dB steps) ... (0.5-dB steps) 0xBF = +31.5 dB

Table 4-83. Output Signal Path Digital Volume Control (Cont.)

Register Address	Bit	Label	Default	Description
R1053 (0x041D) DAC_Digital_Volume_2R	9	OUT_VU	See Footnote 1	Output Signal Paths Volume Update. Writing 1 to this bit causes the Output Signal Paths Volume and Mute settings to be updated simultaneously
	8	OUT2R_MUTE	1	Output Path 2 (Right) Digital Mute 0 = Unmute 1 = Mute
	7:0	OUT2R_VOL[7:0]	0x80	Output Path 2 (Right) Digital Volume (see Table 4-84 for volume register definition). –64 dB to +31.5 dB in 0.5-dB steps 0x00 = –64 dB 0x80 = 0 dB 0xC0 to 0xFF = Reserved 0x01 = –63.5 dB ... (0.5-dB steps) ... (0.5-dB steps) 0xBF = +31.5 dB
R1057 (0x0421) DAC_Digital_Volume_3L	9	OUT_VU	See Footnote 1	Output Signal Paths Volume Update. Writing 1 to this bit causes the Output Signal Paths Volume and Mute settings to be updated simultaneously
	8	OUT3L_MUTE	1	Output Path 3 (Left) Digital Mute 0 = Unmute 1 = Mute
	7:0	OUT3L_VOL[7:0]	0x80	Output Path 3 (Left) Digital Volume (see Table 4-84 for volume register definition). –64 dB to +31.5 dB in 0.5-dB steps 0x00 = –64 dB 0x80 = 0 dB 0xC0 to 0xFF = Reserved 0x01 = –63.5 dB ... (0.5-dB steps) ... (0.5-dB steps) 0xBF = +31.5 dB
R1061 (0x0425) DAC_Digital_Volume_3R	9	OUT_VU	See Footnote 1	Output Signal Paths Volume Update. Writing 1 to this bit causes the Output Signal Paths Volume and Mute settings to be updated simultaneously
	8	OUT3R_MUTE	1	Output Path 3 (Right) Digital Mute 0 = Unmute 1 = Mute
	7:0	OUT3R_VOL[7:0]	0x80	Output Path 3 (Right) Digital Volume (see Table 4-84 for volume register definition). –64 dB to +31.5 dB in 0.5-dB steps 0x00 = –64 dB 0x80 = 0 dB 0xC0 to 0xFF = Reserved 0x01 = –63.5 dB ... (0.5-dB steps) ... (0.5-dB steps) 0xBF = +31.5 dB
R1073 (0x0431) DAC_Digital_Volume_5L	9	OUT_VU	See Footnote 1	Output Signal Paths Volume Update. Writing 1 to this bit causes the Output Signal Paths Volume and Mute settings to be updated simultaneously
	8	OUT5L_MUTE	1	Output Path 5 (Left) Digital Mute 0 = Unmute 1 = Mute
	7:0	OUT5L_VOL[7:0]	0x80	Output Path 5 (Left) Digital Volume (see Table 4-84 for volume register definition). –64 dB to +31.5 dB in 0.5-dB steps 0x00 = –64 dB 0x80 = 0 dB 0xC0 to 0xFF = Reserved 0x01 = –63.5 dB ... (0.5-dB steps) ... (0.5-dB steps) 0xBF = +31.5 dB
R1077 (0x0435) DAC_Digital_Volume_5R	9	OUT_VU	See Footnote 1	Output Signal Paths Volume Update. Writing 1 to this bit causes the Output Signal Paths Volume and Mute settings to be updated simultaneously
	8	OUT5R_MUTE	1	Output Path 5 (Right) Digital Mute 0 = Unmute 1 = Mute
	7:0	OUT5R_VOL[7:0]	0x80	Output Path 5 (Right) Digital Volume (see Table 4-84 for volume register definition). –64 dB to +31.5 dB in 0.5-dB steps 0x00 = –64 dB 0x80 = 0 dB 0xC0 to 0xFF = Reserved 0x01 = –63.5 dB ... (0.5-dB steps) ... (0.5-dB steps) 0xBF = +31.5 dB

1. Default is not applicable to these write-only bits

[Table 4-84](#) lists the output signal path digital volume settings.

Table 4-84. Output Signal Path Digital Volume Range

Output Volume Register	Volume (dB)	Output Volume Register	Volume (dB)	Output Volume Register	Volume (dB)	Output Volume Register	Volume (dB)
0x00	-64.0	0x31	-39.5	0x62	-15.0	0x93	9.5
0x01	-63.5	0x32	-39.0	0x63	-14.5	0x94	10.0
0x02	-63.0	0x33	-38.5	0x64	-14.0	0x95	10.5
0x03	-62.5	0x34	-38.0	0x65	-13.5	0x96	11.0
0x04	-62.0	0x35	-37.5	0x66	-13.0	0x97	11.5
0x05	-61.5	0x36	-37.0	0x67	-12.5	0x98	12.0
0x06	-61.0	0x37	-36.5	0x68	-12.0	0x99	12.5
0x07	-60.5	0x38	-36.0	0x69	-11.5	0x9A	13.0
0x08	-60.0	0x39	-35.5	0x6A	-11.0	0x9B	13.5
0x09	-59.5	0x3A	-35.0	0x6B	-10.5	0x9C	14.0
0x0A	-59.0	0x3B	-34.5	0x6C	-10.0	0x9D	14.5
0x0B	-58.5	0x3C	-34.0	0x6D	-9.5	0x9E	15.0
0x0C	-58.0	0x3D	-33.5	0x6E	-9.0	0x9F	15.5
0x0D	-57.5	0x3E	-33.0	0x6F	-8.5	0xA0	16.0
0x0E	-57.0	0x3F	-32.5	0x70	-8.0	0xA1	16.5
0x0F	-56.5	0x40	-32.0	0x71	-7.5	0xA2	17.0
0x10	-56.0	0x41	-31.5	0x72	-7.0	0xA3	17.5
0x11	-55.5	0x42	-31.0	0x73	-6.5	0xA4	18.0
0x12	-55.0	0x43	-30.5	0x74	-6.0	0xA5	18.5
0x13	-54.5	0x44	-30.0	0x75	-5.5	0xA6	19.0
0x14	-54.0	0x45	-29.5	0x76	-5.0	0xA7	19.5
0x15	-53.5	0x46	-29.0	0x77	-4.5	0xA8	20.0
0x16	-53.0	0x47	-28.5	0x78	-4.0	0xA9	20.5
0x17	-52.5	0x48	-28.0	0x79	-3.5	0xAA	21.0
0x18	-52.0	0x49	-27.5	0x7A	-3.0	0xAB	21.5
0x19	-51.5	0x4A	-27.0	0x7B	-2.5	0xAC	22.0
0x1A	-51.0	0x4B	-26.5	0x7C	-2.0	0xAD	22.5
0x1B	-50.5	0x4C	-26.0	0x7D	-1.5	0xAE	23.0
0x1C	-50.0	0x4D	-25.5	0x7E	-1.0	0xAF	23.5
0x1D	-49.5	0x4E	-25.0	0x7F	-0.5	0xB0	24.0
0x1E	-49.0	0x4F	-24.5	0x80	0.0	0xB1	24.5
0x1F	-48.5	0x50	-24.0	0x81	0.5	0xB2	25.0
0x20	-48.0	0x51	-23.5	0x82	1.0	0xB3	25.5
0x21	-47.5	0x52	-23.0	0x83	1.5	0xB4	26.0
0x22	-47.0	0x53	-22.5	0x84	2.0	0xB5	26.5
0x23	-46.5	0x54	-22.0	0x85	2.5	0xB6	27.0
0x24	-46.0	0x55	-21.5	0x86	3.0	0xB7	27.5
0x25	-45.5	0x56	-21.0	0x87	3.5	0xB8	28.0
0x26	-45.0	0x57	-20.5	0x88	4.0	0xB9	28.5
0x27	-44.5	0x58	-20.0	0x89	4.5	0xBA	29.0
0x28	-44.0	0x59	-19.5	0x8A	5.0	0xBB	29.5
0x29	-43.5	0x5A	-19.0	0x8B	5.5	0xBC	30.0
0x2A	-43.0	0x5B	-18.5	0x8C	6.0	0xBD	30.5
0x2B	-42.5	0x5C	-18.0	0x8D	6.5	0xBE	31.0
0x2C	-42.0	0x5D	-17.5	0x8E	7.0	0xBF	31.5
0x2D	-41.5	0x5E	-17.0	0x8F	7.5	0xC0-0xFF	Reserved
0x2E	-41.0	0x5F	-16.5	0x90	8.0		
0x2F	-40.5	0x60	-16.0	0x91	8.5		
0x30	-40.0	0x61	-15.5	0x92	9.0		

4.12.6 Output Signal Path Noise-Gate Control

The CS47L90 provides a digital noise-gate function for each output signal path. The noise gate ensures best noise performance when the signal path is idle. When the noise gate is enabled, and the applicable signal level is below the noise-gate threshold, the noise gate is activated, causing the signal path to be muted.

The noise-gate function is enabled by setting NGATE_ENA, as described in [Table 4-85](#).

For each output path, the noise gate may be associated with one or more of the signal path threshold detection functions using the x_NGATE_SRC fields. When more than one signal threshold is selected, the output-path noise gate is only activated (i.e., muted) when all of the respective signal thresholds are satisfied.

For example, if the OUT1L noise gate is associated with the OUT1L and OUT1R signal paths, the OUT1L signal path is only muted if both the OUT1L and OUT1R signal levels are below the respective thresholds.

The noise-gate threshold (the signal level below which the noise gate is activated) is set using NGATE_THR. Note that, for each output path, the noise-gate threshold represents the signal level at the respective output pins; the threshold is therefore independent of the digital volume and PGA gain settings.

Note that, although there is only one noise-gate threshold level (NGATE_THR), each output-path noise gate may be activated independently, according to the respective signal content and the associated threshold configurations.

To prevent erroneous triggering, a time delay is applied before the gate is activated; the noise gate is only activated (i.e., muted) when the output levels are below the applicable signal level thresholds for longer than the noise-gate hold time. The hold time is set using the NGATE_HOLD field.

When the noise gate is activated, the CS47L90 gradually attenuates the respective signal path at the rate set by OUT_VD_RAMP (see [Table 4-83](#)). When the noise gate is deactivated, the output volume increases at the rate set by OUT_VI_RAMP.

Table 4-85. Output Signal Path Noise-Gate Control

Register Address	Bit	Label	Default	Description
R1043 (0x0413) Noise_Gate_Select_1L	11:0	OUT1L_NGATE_SRC[11:0]	0x001	Output Signal Path Noise-Gate Source. Enables one or more signal paths as inputs to the respective noise gate. If more than one signal path is enabled as an input, the noise gate is only activated (i.e., muted) when all of the respective signal thresholds are satisfied.
R1047 (0x0417) Noise_Gate_Select_1R	11:0	OUT1R_NGATE_SRC[11:0]	0x002	Each bit is coded as 0 = Disabled, 1 = Enabled
R1051 (0x041B) Noise_Gate_Select_2L	11:0	OUT2L_NGATE_SRC[11:0]	0x004	
R1055 (0x041F) Noise_Gate_Select_2R	11:0	OUT2R_NGATE_SRC[11:0]	0x008	[11] = Reserved [10] = Reserved [9] = OUT5R [8] = OUT5L
R1059 (0x0423) Noise_Gate_Select_3L	11:0	OUT3L_NGATE_SRC[11:0]	0x010	[7] = Reserved [6] = Reserved
R1063 (0x0427) Noise_Gate_Select_3R	11:0	OUT3R_NGATE_SRC[11:0]	0x020	[5] = OUT3R [4] = OUT3L
R1075 (0x0433) Noise_Gate_Select_5L	11:0	OUT5L_NGATE_SRC[11:0]	0x100	[3] = OUT2R [2] = OUT2L
R1079 (0x0437) Noise_Gate_Select_5R	11:0	OUT5R_NGATE_SRC[11:0]	0x200	[1] = OUT1R [0] = OUT1L
R1112 (0x0458) Noise_Gate_Control	5:4	NGATE_HOLD[1:0]	00	Output Signal Path Noise-Gate Hold Time (delay before noise gate is activated) 00 = 30 ms 10 = 250 ms 01 = 120 ms 11 = 500 ms
	3:1	NGATE_THR[2:0]	000	Output Signal Path Noise-Gate Threshold 000 = -78 dB 011 = -96 dB 110 = -114 dB 001 = -84 dB 100 = -102 dB 111 = -120 dB 010 = -90 dB 101 = -108 dB
	0	NGATE_ENA	0	Output Signal Path Noise-Gate Enable 0 = Disabled 1 = Enabled

4.12.7 Output Signal Path AEC Loop-Back

The CS47L90 incorporates two loop-back signal paths, which are ideally suited as a reference for AEC processing. Any two of the output signal paths may be selected as the AEC loop-back sources.

When configured with suitable DSP firmware, the CS47L90 can provide an integrated AEC capability. The AEC loop-back feature also enables convenient hook-up to an external device for implementing the required signal-processing algorithms.

The AEC loop-back source is connected after the respective digital volume controls, as shown in Fig. 4-51. The AEC loop-back signals can be selected as input to any of the digital mixers within the CS47L90 digital core. The sample rate for the AEC loop-back paths is configured using `OUT_RATE`—see Table 4-26.

The AEC loop-back function is enabled using the `AECn_LOOPBACK_ENA` bits (where *n* identifies the applicable path, AEC1 or AEC2). The source signals for the Transmit Path AEC function are selected using the `AECn_LOOPBACK_SRC` bits.

The CS47L90 performs automatic checks to confirm that the `SYSCLK` frequency is high enough to support the AEC loop-back function. If the frequency is too low, an attempt to enable this function fails. Note that active signal paths are not affected under such circumstances.

The `AECn_ENA_STS` bits indicate the status of the AEC loop-back functions. If an underclocked error condition occurs, these bits indicate whether the AEC loop-back function has been enabled.

Table 4-86. Output Signal Path AEC Loop-Back Control

Register Address	Bit	Label	Default	Description
R1104 (0x0450) DAC_AEC_Control_1	5:2	AEC1_LOOPBACK_SRC[3:0]	0000	Input source for Tx AEC1 function 0000 = OUT1L 0100 = OUT3L All other codes are reserved 0001 = OUT1R 0101 = OUT3R 0010 = OUT2L 1000 = OUT5L 0011 = OUT2R 1001 = OUT5R
	1	AEC1_ENA_STS	0	Transmit (Tx) Path AEC1 Control Status 0 = Disabled 1 = Enabled
	0	AEC1_LOOPBACK_ENA	0	Transmit (Tx) Path AEC1 Control 0 = Disabled 1 = Enabled
R1105 (0x0451) DAC_AEC_Control_2	5:2	AEC2_LOOPBACK_SRC[3:0]	0000	Input source for Tx AEC2 function 0000 = OUT1L 0100 = OUT3L All other codes are reserved 0001 = OUT1R 0101 = OUT3R 0010 = OUT2L 1000 = OUT5L 0011 = OUT2R 1001 = OUT5R
	1	AEC2_ENA_STS	0	Transmit (Tx) Path AEC2 Control Status 0 = Disabled 1 = Enabled
	0	AEC2_LOOPBACK_ENA	0	Transmit (Tx) Path AEC2 Control 0 = Disabled 1 = Enabled

4.12.8 Headphone Outputs

The headphone/earpiece driver outputs, `HPOUT1L`, `HPOUT1R`, `HPOUT2L`, `HPOUT2R`, `HPOUT3L`, and `HPOUT3R`, are suitable for direct connection to external headphones and earpieces. The outputs are ground referenced, eliminating any requirement for AC coupling capacitors.

The headphone outputs incorporate a common mode, or ground loop, feedback path that provides rejection of system-related ground noise. The feedback pin must be connected to ground for normal operation of the headphone outputs.

Note that the feedback pins should be connected to GND as close as possible to the respective headphone jack ground pin, as shown in Fig. 4-52. In mono (differential) mode, the feedback pins should be connected to the ground plane that is closest to the earpiece output PCB tracks.

The ground feedback path for HPOUT1 and HPOUT2 headphone outputs is selected using the HP1_GND_SEL and HP2_GND_SEL bits respectively—see Table 4-87.

The ground feedback path for HPOUT3 headphone output is provided via the HPOUT3FB pin.

Table 4-87. Headphone Output (HPOUT) Ground Feedback Control

Register Address	Bit	Label	Default	Description
R1042 (0x0412) Output_Path_ Config_1	2:0	HP1_GND_ SEL[2:0]	000	HPOUT1 ground feedback pin select 000 = HPOUTFB1 001 = HPOUTFB2 010 = HPOUTFB3 011 = HPOUTFB4 All other codes are reserved
R1050 (0x041A) Output_Path_ Config_2	2:0	HP2_GND_ SEL[2:0]	000	HPOUT2 ground feedback pin select 000 = HPOUTFB1 001 = HPOUTFB2 010 = HPOUTFB3 011 = HPOUTFB4 All other codes are reserved

The headphone and earpiece connections are shown in Fig. 4-52.

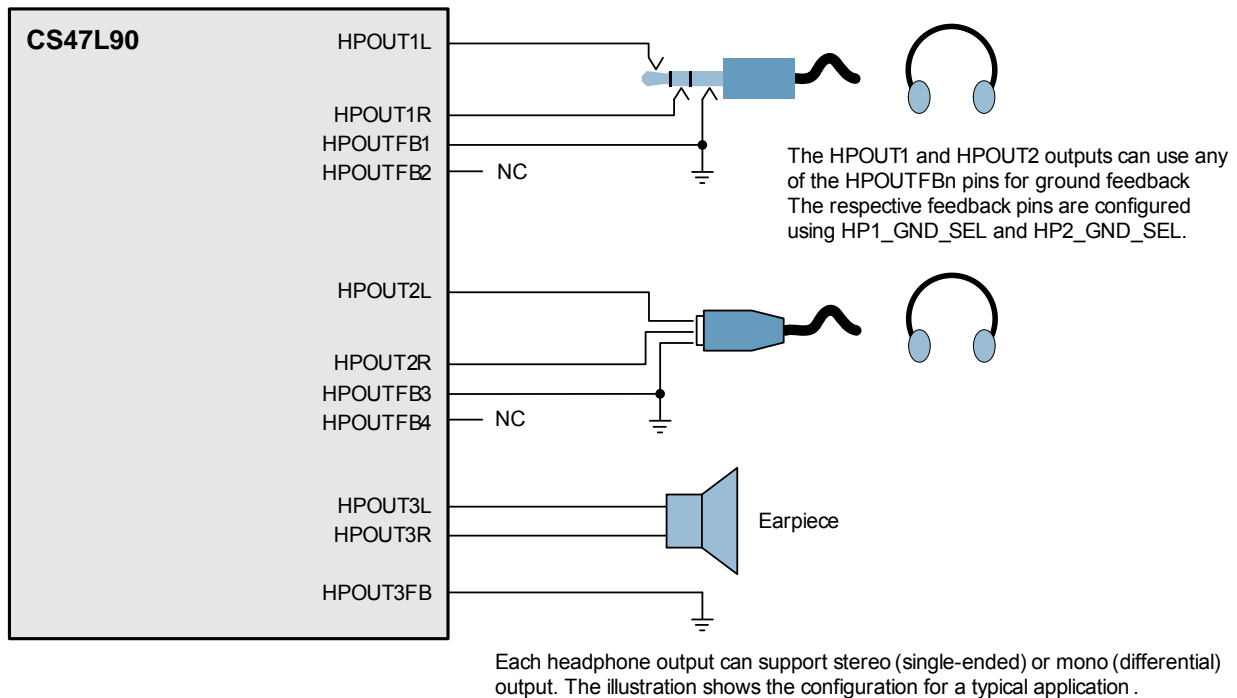


Figure 4-52. Headphone and Earpiece Connection

4.12.9 Speaker Outputs (Digital PDM)

The CS47L90 supports a two-channel pulse-density modulation (PDM) digital speaker interface; the PDM outputs are associated with the OUT5L and OUT5R output signal paths.

The external connections associated with the PDM outputs are implemented on multifunction GPIO pins, which must be configured for the respective PDM functions when required. The PDM output connections are pin-specific alternative functions available on specific GPIO pins. See [Section 4.15](#) to configure the GPIO pins for the PDM output.

The PDM digital speaker interface is a stereo interface; the OUT5L and OUT5R output signal paths are interleaved on the SPKDAT output, and clocked using SPKCLK.

Note that the PDM interface supports two different operating modes; these are selected using SPK1_FMT. See [Table 3-15](#) for detailed timing information in both modes.

- If SPK1_FMT = 0 (Mode A), the Left PDM channel is valid at the rising edge of SPKCLK; the Right PDM channel is valid at the falling edge of SPKCLK.
- If SPK1_FMT = 1 (Mode B), the Left PDM channel is valid during the low phase of SPKCLK; the Right PDM channel is valid during the high phase of SPKCLK.

The PDM interface timing is shown in [Fig. 4-53](#).

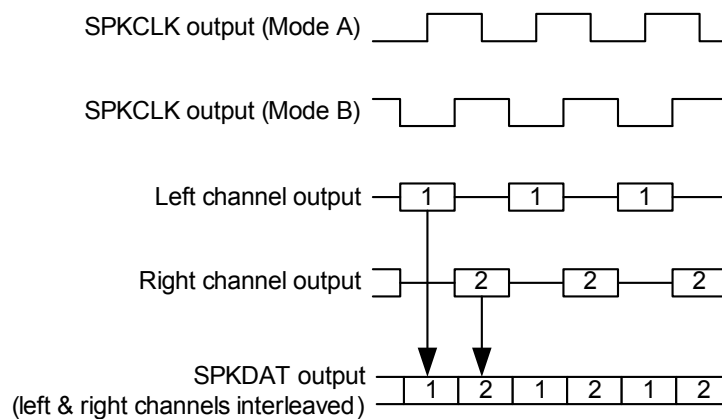


Figure 4-53. Digital Speaker (PDM) Interface Timing

Clocking for the PDM interface is derived from SYSCLK. Note that SYSCLK_ENA must also be set. See [Section 4.17](#) for further details of the system clocks and control registers.

If the OUT5L or OUT5R output signal path is enabled, the PDM interface clock signal is output on the SPKCLK pin.

The output signal paths support normal and high performance operating modes, as described in [Section 4.12.3](#). The SPKCLK frequency is set according to the operating mode of the relevant output path, as described in [Table 4-88](#). The OUT5_OSR bit is defined in [Table 4-80](#).

Note that the SPKCLK frequencies noted in [Table 4-88](#) assume that the SYSCLK frequency is a multiple of 6.144 MHz (SYSCLK_FRAC = 0). If the SYSCLK frequency is a multiple of 5.6448 MHz (SYSCLK_FRAC=1), the SPKCLK frequency is scaled accordingly.

Table 4-88. SPKCLK Frequency

OUT5_OSR	Description	SPKCLK Frequency
0	Normal mode	3.072 MHz
1	High Performance mode	6.144 MHz

The PDM output channels can be independently muted. When muted, the default output on each channel is a DSD-compliant silent stream (0110_1001b). The mute output code can be programmed to other values if required, using the SPK1_MUTE_SEQ field. The mute output code can be transmitted MSB-first or LSB-first; this is selectable using the SPK1_MUTE_ENDIAN bit.

Note that the PDM Mute function is not a soft-mute; the audio output is interrupted immediately when the PDM mute is asserted. It is recommended to use the output signal path mute function before applying the PDM mute. See [Table 4-83](#) for details of the OUT5L_MUTE and OUT5R_MUTE bits.

The PDM output interface registers are described in [Table 4-89](#).

Table 4-89. Digital Speaker (PDM) Output Control

Register Address	Bit	Label	Default	Description
R1168 (0x0490) PDM_SPK1_CTRL_1	13	SPK1R_MUTE	0	PDM Speaker Output 1 (Right) Mute 0 = Audio output (OUT5R) 1 = Mute Sequence output
	12	SPK1L_MUTE	0	PDM Speaker Output 1 (Left) Mute 0 = Audio output (OUT5L) 1 = Mute Sequence output
	8	SPK1_MUTE_ENDIAN	0	PDM Speaker Output 1 Mute Sequence Control 0 = Mute sequence is LSB first 1 = Mute sequence output is MSB first
	7:0	SPK1_MUTE_SEQ[7:0]	0x69	PDM Speaker Output 1 Mute Sequence Defines the 8-bit code that is output on SPKDAT (left) or SPKDAT (right) when muted.
R1169 (0x0491) PDM_SPK1_CTRL_2	0	SPK1_FMT	0	PDM Speaker Output 1 timing format 0 = Mode A (PDM data is valid at the rising/falling edges of SPKCLK) 1 = Mode B (PDM data is valid during the high/low phase of SPKCLK)

The digital speaker (PDM) outputs SPKDAT and SPKCLK are intended for direct connection to a compatible external speaker driver. A typical configuration is shown in [Fig. 4-54](#).

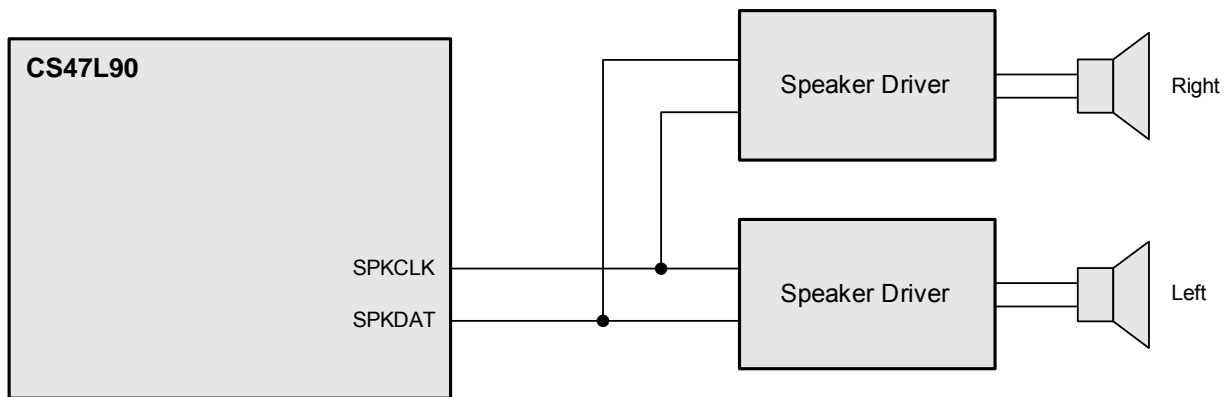


Figure 4-54. Digital Speaker (PDM) Connection

The SPKCLK output can be selected as the clock timing reference for the DMIC input paths. This allows a two-way audio interface to be supported, using SPKCLK as a shared clock. See [Section 4.2](#) to configure the DMIC input paths.

The two-way interface can be used to support digital feedback from a PDM speaker driver, enabling advanced speaker protection algorithms to be implemented.

The SPKCLK and DMICDATn pins are powered on different voltage domains, as noted in [Table 1-1](#). If SPKCLK is selected as the DMIC clock, it is advised to take care to ensure compatibility of the respective power domains.

4.13 External Accessory Detection

The CS47L90 provides external accessory detection functions that can sense the presence and impedance of external components. This can be used to detect the insertion or removal of an external headphone or headset, and to provide an indication of key/button push events.

Jack insertion is detected using the JACKDET1 and JACKDET2 pins, which are typically connected to a switch contact within the jack sockets. An interrupt event is generated whenever a jack insertion or jack removal event is detected.

Suppression of pops and clicks caused by jack insertion or removal is provided using the MICDET clamp function. This function can also be used to trigger interrupt events, and/or to trigger the control-write sequencer. The integrated general-purpose switches can be synchronized with the MICDET clamp, to provide additional pop suppression capability.

Microphones, push buttons and other accessories can be detected via the MICDET n pins. The presence of a microphone, and the status of a hook switch can be detected. This feature can also be used to detect push-button operation. (Note that accessory detection is also possible via the HPDET n and JACKDET n pins, subject to some additional constraints.)

Headphone impedance can be measured via the HPDET1 and HPDET2 pins; this can be used to set different gain levels or other configuration settings according to the type of load connected. For example, different settings may be applicable to headphone or line output loads. (Note that impedance measurement is also possible via the MICDET n and JACKDET n pins, subject to some additional constraints.)

The MICVDD power domain must be enabled when using the microphone detect function. (Note that MICVDD is not required for the jack detect or headphone detect functions.) The MICVDD power domain is provided using an internal charge pump (CP2) and LDO regulator (LDO2). See [Section 4.20](#) for details of these circuits.

The internal 32-kHz clock must be present and enabled when using the microphone detect or headphone detect functions; the 32-kHz clock is also required for the jack detect function, assuming input debounce is enabled. See [Section 4.17](#) for details of the internal 32-kHz clock and associated control fields.

4.13.1 Jack Detect

The CS47L90 provides support for jack insertion switch detection. The jack insertion status can be read using the relevant register status bits. A jack insertion or removal can also be used to trigger an interrupt event.

The jack-detect interrupt (IRQ) functionality is maintained in Sleep Mode (see [Section 4.14](#)). This enables a jack insertion event to be used to trigger a wake-up of the CS47L90.

Jack insertion and removal is detected using the JACKDET1 and JACKDET2 pins. The recommended external connections are shown in [Fig. 4-55](#). Note that the logic thresholds associated with the two JACKDET differ from each other, as described in [Table 3-11](#)—this provides support for different jack switch configurations.

The jack detect feature is enabled using the JD n _ENA bits (where $n = 1$ or 2 for JACKDET1 or JACKDET2 respectively); the jack insertion status can be read using JD n _STS x . Note that the JD n _STS1 and JD n _STS2 bits provide the same information in respect of the applicable JACKDET n input.

The jack detect input debounce is selected using the JD n _DB bits, as described in [Table 4-90](#). Note that, under normal operating conditions, the debounce circuit uses the 32-kHz clock, which must be enabled whenever input debounce functions are required. Input debounce is not provided in Sleep Mode; the JD n _DB bits have no effect in Sleep Mode.

Note that the jack detect signals, JD1 and JD2, can be used as inputs to the MICDET clamp function—this provides additional functionality relating to jack insertion and removal events.

An interrupt request (IRQ) event is generated whenever a jack insertion or jack removal is detected (see [Section 4.16](#)). Separate mask bits are provided, to allow IRQ events on the rising and/or falling edges of the JD1 or JD2 signals.

The control registers associated with the jack detect function are described in [Table 4-90](#).

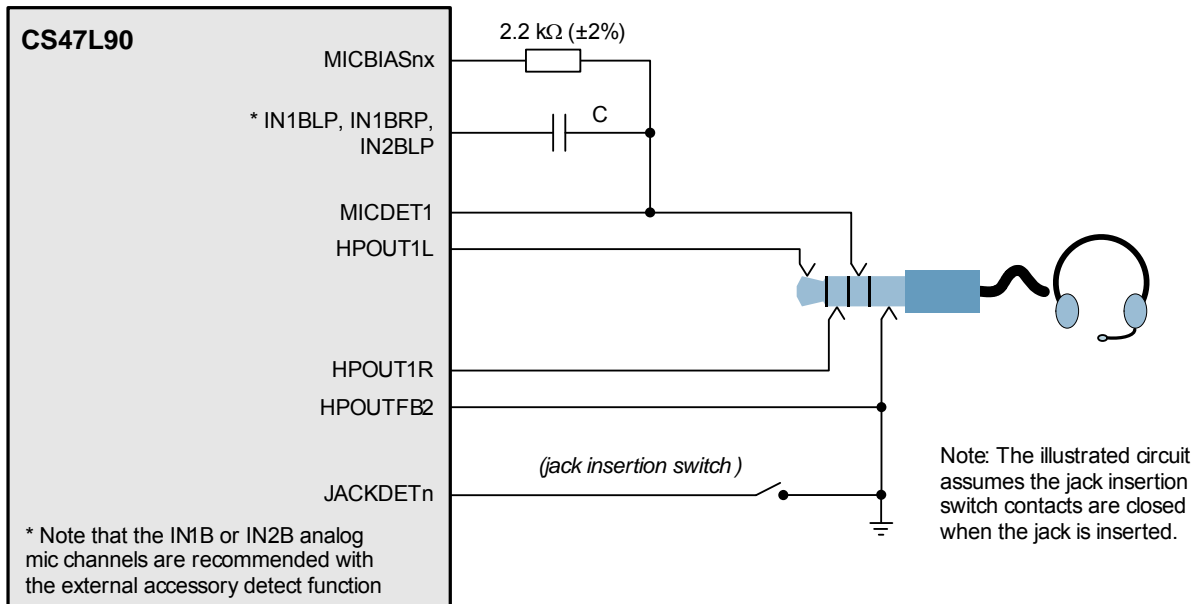
Table 4-90. Jack Detect Control

Register Address	Bit	Label	Default	Description
R723 (0x02D3) Jack_detect_analog	1	JD2_ENA	0	JACKDET2 enable 0 = Disabled 1 = Enabled
	0	JD1_ENA	0	JACKDET1 enable 0 = Disabled 1 = Enabled
R6278 (0x1886) IRQ1_Raw_Status_7	2	JD2_STS1	0	JACKDET2 input status 0 = Jack not detected 1 = Jack is detected (Assumes the JACKDET2 pin is pulled low on jack insertion.)
	0	JD1_STS1	0	JACKDET1 input status 0 = Jack not detected 1 = Jack is detected (Assumes the JACKDET1 pin is pulled low on jack insertion.)

Table 4-90. Jack Detect Control (Cont.)

Register Address	Bit	Label	Default	Description
R6534 (0x1986) IRQ2_Raw_ Status_7	2	JD2_STS2	0	JACKDET2 input status 0 = Jack not detected 1 = Jack is detected (Assumes the JACKDET2 pin is pulled low on jack insertion.)
	0	JD1_STS2	0	JACKDET1 input status 0 = Jack not detected 1 = Jack is detected (Assumes the JACKDET1 pin is pulled low on jack insertion.)
R6662 (0x1A06) Interrupt_ Debounce_7	2	JD2_DB	0	JACKDET2 input debounce 0 = Disabled 1 = Enabled
	0	JD1_DB	0	JACKDET1 input debounce 0 = Disabled 1 = Enabled

A recommended connection circuit, including headphone output on HPOUT1 and microphone connections, is shown in [Fig. 4-55](#). See [Section 5.1](#) for details of recommended external components.


Figure 4-55. Jack Detect and External Accessory Connections

The internal comparator circuit used to detect the JACKDET_n status is shown in [Fig. 4-56](#). The threshold voltages for the jack detect circuit are noted in [Table 3-11](#). Note that separate thresholds are defined for jack insertion and removal.

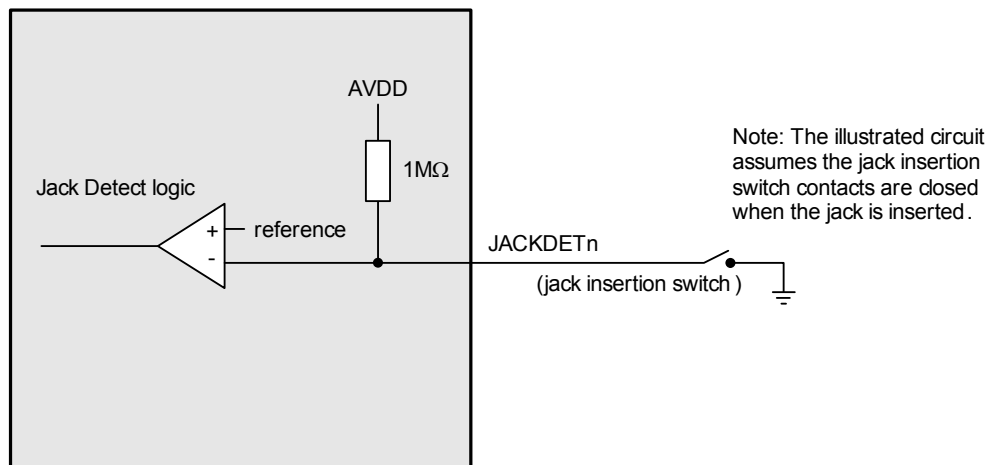


Figure 4-56. Jack Detect Comparator

4.13.2 Jack Pop Suppression (MICDET Clamp and GP Switch)

Under typical configuration of a 3.5-mm headphone/accessory jack connection, there is a risk of pops and clicks arising from jack insertion or removal. This can occur when the headphone load makes momentary contact with the MICBIAS output when the jack is not fully inserted.

The CS47L90 provides a MICDET clamp function to suppress pops and clicks caused by jack insertion or removal. It can be controlled directly, or can be activated by a configurable logic function derived from external logic inputs. The clamp status can be read using the relevant register status bit. The clamp status can also be used to trigger an interrupt (IRQ) event or to trigger the control-write sequencer.

4.13.2.1 MICDET Clamp Control

The MICDET clamp function can be configured using the MICD_CLAMP_MODE field; the selectable logic conditions (derived from the JD1 and/or JD2 signals; see [Table 4-90](#)) provide support for different jack detect circuit configurations. The MICD_CLAMP_OVD bit, when set, activates the MICDET clamp, regardless of other conditions.

Note: The MICD_CLAMP_OVD bit is enabled by default; the MICDET clamp is always active following power-on reset, hardware reset, or software reset.

The MICDET clamp functionality (including the external IRQ) is maintained in Sleep Mode (see [Section 4.14](#)). This enables a jack insertion event to be used to trigger a wake-up of the CS47L90. The recommended control sequence for the jack detect and MICDET clamp functionality is described in [Section 4.13.2.5](#).

When the MICDET clamp is active, the MICDET1/HPOUTFB1 and MICDET2/HPOUTFB2 pins are short-circuited together. The grounding of the applicable MICDET is achieved via the HPOUTFB function of the other pin—it is assumed that the HPOUTFB connection is grounded externally, as shown in [Fig. 4-57](#).

Note: The CS47L90 provides four MICDET n /HPOUTFB n connections, which can be used in many different configurations. The MICDET clamp is supported on the MICDET1 and MICDET2 pins only. In applications that provide a mixture of external connection types (e.g., 3.5-mm and USB-C connections), it is recommended that the MICDET1 and MICDET2 pins should be associated with the 3.5-mm connection.

The configurable logic provides flexibility in selecting the appropriate conditions for activating the MICDET clamp. The clamp status can be read using the MICD_CLAMP_STS x bits. Note that the MICD_CLAMP_STS1 and MICD_CLAMP_STS2 bits provide the same information.

The MICDET clamp debounce is selected by setting MICD_CLAMP_DB, as described in [Table 4-91](#). Note that, under normal operating conditions, the debounce circuit uses the 32-kHz clock, which must be enabled whenever input debounce functions are required. Input debounce is not provided in Sleep Mode; the MICD_CLAMP_DB bit has no effect in Sleep Mode.

The MICDET clamp function is shown in Fig. 4-57. Note that the jack plug is shown partially removed, with the MICDET1 pin in contact with the headphone load.

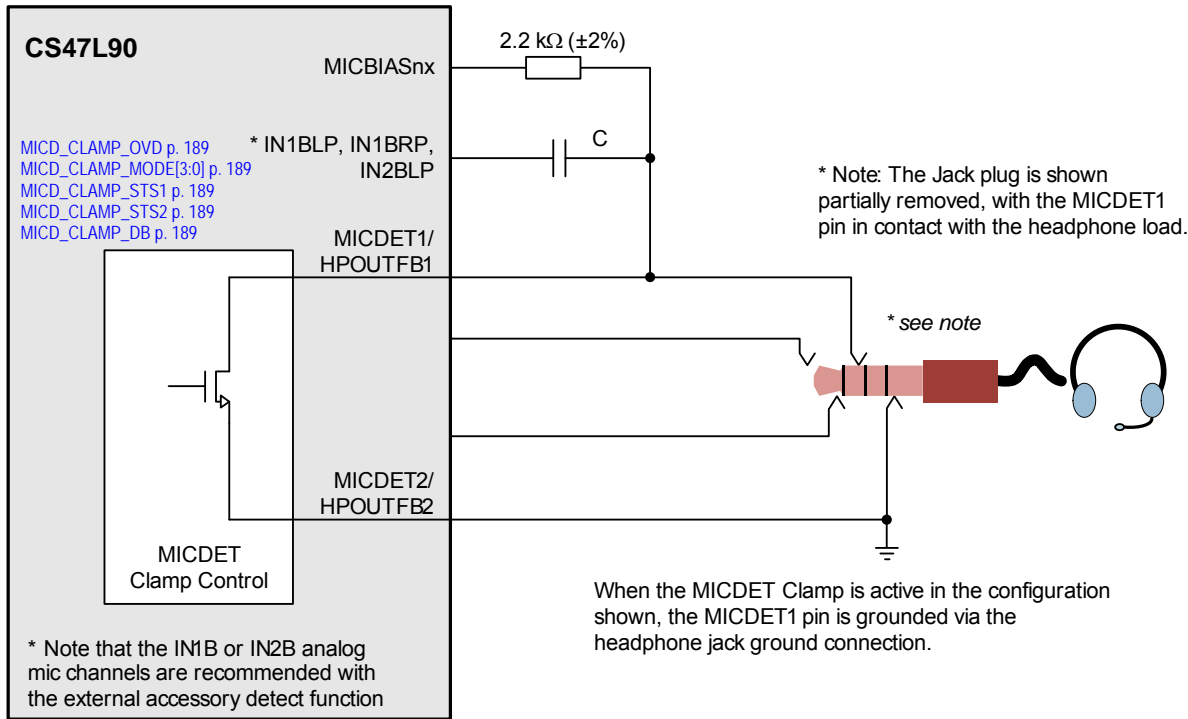


Figure 4-57. MICDET Clamp Circuit

4.13.2.2 Interrupts and Write-Sequencer Control

An interrupt request (IRQ) event is generated whenever the MICDET clamp is asserted or deasserted; see Section 4.16. Separate mask bits are provided to enable IRQ events on the rising and/or falling edge of the MICDET clamp status.

The control-write sequencer can be triggered by the MICDET clamp status. This is enabled using the WSEQ_ENA_MICD_CLAMP_FALL and WSEQ_ENA_MICD_CLAMP_RISE bits; see Section 4.19 for further details.

4.13.2.3 Pop Suppression using General-Purpose Switch

In applications where a large decoupling capacitance is present on the MICBIAS output, the MICDET clamp function alone may be unable to discharge the capacitor sufficiently to eliminate pops and clicks associated with jack insertion and removal. In this case, it may be desirable to use one of the general-purpose switches on the CS47L90 to provide isolation from the MICBIAS output; an example circuit is shown in Fig. 4-58.

There are two general-purpose switches, configured using the respective SW_n_MODE fields (where n = 1 or 2). The SW_n_MODE fields allow the switches to be disabled, enabled, or synchronized to the MICDET clamp status, as described in Table 4-91.

For jack pop suppression, it is recommended to set SW_n_MODE = 11 for the applicable switch. In this case, the switch contacts are open whenever the MICDET clamp is active, and the switch contacts are closed whenever the MICDET clamp is inactive.

Normal accessory functions are supported when the switch contacts (GPSW_nP and GPSW_nN) are closed, and the MICDET clamp is inactive. Ground clamping of MICDET, and isolation of MICBIAS, are achieved when the switch contacts are open and the MICDET clamp is active.

Note that the MICDET clamp function must also be configured appropriately when using this method of pop suppression control.

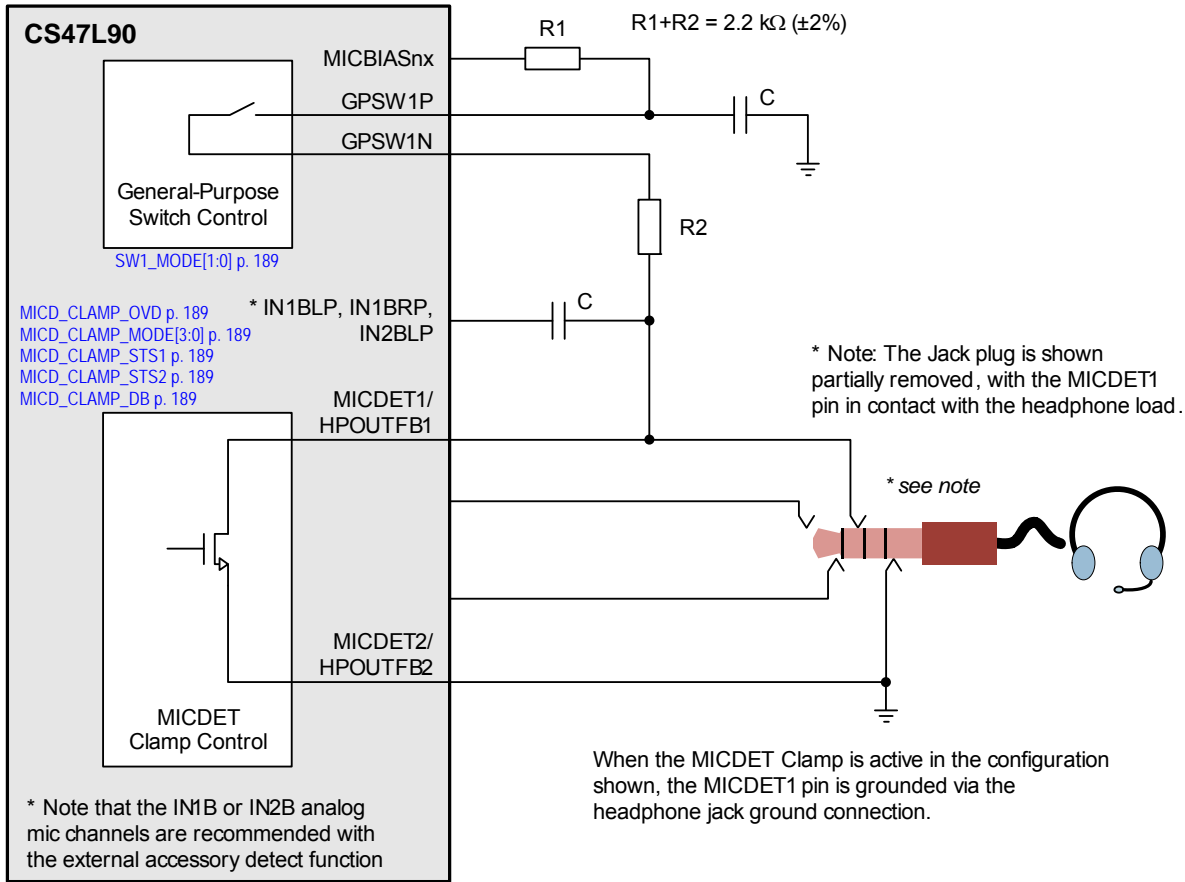


Figure 4-58. General-Purpose Switch Circuit

4.13.2.4 MICDET Clamp Control Registers

The control registers associated with the MICDET clamp and general-purpose switch functions are described in [Table 4-91](#).

Table 4-91. MICDET Clamp and General-Purpose Switch Control

Register Address	Bit	Label	Default	Description
R65 (0x0041) Sequence_control	7	WSEQ_ENA_MICD_CLAMP_FALL	0	MICDET Clamp (Falling) Write Sequencer Select 0 = Disabled 1 = Enabled
	6	WSEQ_ENA_MICD_CLAMP_RISE	0	MICDET Clamp (Rising) Write Sequencer Select 0 = Disabled 1 = Enabled

Table 4-91. MICDET Clamp and General-Purpose Switch Control (Cont.)

Register Address	Bit	Label	Default	Description
R710 (0x02C6) Micd_Clamp_ control	4	MICD_ CLAMP_ OVD	1	MICDET Clamp Override 0 = Disabled 1 = Enabled (clamp active)
	3:0	MICD_ CLAMP_ MODE[3:0]	0000	MICDET Clamp Mode 0x0 = Disabled 0x1 = Active (MICDET1 and MICDET2 are shorted together) 0x2–0x3 = Reserved 0x4 = Active when JD1=0 0x5 = Active when JD1=1 0x6 = Active when JD2=0 0x7 = Active when JD2=1 0x8 = Active when JD1=0 or JD2=0 0x9 = Active when JD1=0 or JD2=1 0xA = Active when JD1=1 or JD2=0 0xB = Active when JD1=1 or JD2=1 0xC = Active when JD1=0 and JD2=0 0xD = Active when JD1=0 and JD2=1 0xE = Active when JD1=1 and JD2=0 0xF = Active when JD1=1 and JD2=1
R712 (0x02C8) GP_Switch_1	3:2	SW2_ MODE[1:0]	00	General-purpose Switch 2 control 00 = Disabled (open) 10 = Enabled when MICDET clamp is active 01 = Enabled (closed) 11 = Enabled when MICDET clamp is not active
	1:0	SW1_ MODE[1:0]	00	General-purpose Switch 1 control 00 = Disabled (open) 10 = Enabled when MICDET clamp is active 01 = Enabled (closed) 11 = Enabled when MICDET clamp is not active
R6278 (0x1886) IRQ1_Raw_Status_ 7	4	MICD_ CLAMP_ STS1	0	MICDET Clamp status 0 = Clamp not active 1 = Clamp active
R6534 (0x1986) IRQ2_Raw_Status_ 7	4	MICD_ CLAMP_ STS2	0	MICDET Clamp status 0 = Clamp not active 1 = Clamp active
R6662 (0x1A06) Interrupt_ Debounce_7	4	MICD_ CLAMP_ DB	0	MICDET Clamp debounce 0 = Disabled 1 = Enabled

4.13.2.5 Control Sequence for Jack Detect and MICDET Clamp

A summary of the jack detect and MICDET clamp functionality, and the recommended usage in typical applications, is described as follows.

- On device power-up, and following reset, the MICDET clamp is active, due to the default setting of MICD_CLAMP_OVD; this ensures no spurious output can occur during jack insertion. It is recommended to keep the MICDET clamp active (MICD_CLAMP_OVD = 1) until after a jack insertion has been detected.
The MICDET_CLAMP_MODE field should be set according to the applicable JD1/JD2 signal configuration (configured to assert the clamp when jack is removed).
- Jack insertion is indicated using the JD1/JD2 signals (assuming that the MICDET_CLAMP_MODE field has been correctly set for the applicable JD1/JD2 signal configuration); the associated status bits can be read directly, or associated signals can be unmasked as inputs to the interrupt controller.
After jack insertion has been detected, the applicable headset functions (headphone, microphone, accessory detect) may then be enabled.
If the headset function requires MICBIAS to be enabled on the respective jack, the MICDET clamp should be disabled (MICD_CLAMP_OVD = 0) immediately before enabling the MICBIAS (or immediately before enabling MICD_ENA). Note that, if MICBIAS is not required on the respective jack, the clamp should not be disabled (e.g., for headphone-only operation).
- Jack removal is also indicated using the JD1/JD2 signals. The JD1/JD2 status bits can be read directly, or can be unmasked as inputs to the interrupt controller. In this event, the MICDET clamp ensures fast and automatic silencing of the jack outputs.
Under typical use cases, the respective MICBIAS generator and headset audio paths should all be disabled following jack removal.

After jack removal has been detected, the MICDET clamp override bit should be asserted (MICD_CLAMP_OVD = 1), to make the system ready for a jack insertion.

The recommended control sequence for jack detect and MICDET clamp is summarized in [Table 4-92](#).

Table 4-92. Control Sequence for Jack Detect and MICDET Clamp

Event	Device Actions	Recommended User Actions
Initial condition	Clamp asserted by default	Configure MICDET_CLAMP_MODE
Jack insertion	Jack insertion signaled via IRQ	For headphone-only operation: Enable output signal paths For other use cases: Disable clamp, MICD_CLAMP_OVD = 0 Enable MICBIAS and MICDET Enable I/O signal paths
Jack removal	Jack removal signaled via IRQ Clamp asserted automatically	Disable MICBIAS and MICDET Disable I/O signal paths Enable clamp MICD_CLAMP_OVD = 1

4.13.3 Microphone Detect

The CS47L90 microphone detection circuit measures the impedance of an external load connected to one of the MICDET pins. This feature can be used to detect the presence of a microphone, and the status of the associated hook switch. It can also be used to detect push-button status or the connection of other external accessories.

4.13.3.1 Microphone Detect Control

The microphone detection circuit measures the external impedance connected to the MICDET_n pins. In the discrete measurement mode, the function reports whether the measured impedance lies within one of eight predefined levels. In the ADC measurement mode, a more specific result is provided in the form of a 7-bit ADC output.

Note that microphone/accessory detection is also possible via the HPDET_n and JACKDET_n pins, subject to some additional constraints. If the measurement (sense) pin is connected to MICVDD or MICBIAS_n (typically via a 2.2-kΩ bias resistor), MICDET_n must always be used.

The microphone detection circuit typically uses one of the MICBIAS outputs as a reference. The CS47L90 automatically enables the appropriate MICBIAS output when required in order to perform the detection function; this allows the detection function to be supported in low-power standby operating conditions.

The MICVDD power domain must be enabled when using the microphone detection function. This power domain is provided using an internal charge pump (CP2) and LDO regulator (LDO2). See [Section 4.20](#) for details of these circuits. The internal 32-kHz clock must be present and enabled when using the microphone detection function; see [Section 4.17](#) for details.

The CS47L90 provides two microphone detection circuits, which are independently configurable. Detection can be enabled on both circuits simultaneously.

To configure the microphone detection circuit, the applicable pin connections for the intended measurement must be written to the MICD_n_SENSE_SEL and MICD_n_GND_SEL fields (where *n* identifies the respective detection circuit, 1 or 2). The respective detection circuit measures the external impedance between the pins selected by these two fields; the valid selections for each are defined in [Table 4-93](#).

Note: There is no requirement for the SENSE and GND pin selections to be uniquely assigned between the microphone detect and headphone detect functions—the same pin may be used as a SENSE or GND connection for more than one of the detection functions. If multiple microphone/headphone detections are enabled, the respective measurements are automatically scheduled in isolation to each other. See [Section 4.13.4](#) for details of the headphone detect function.

The microphone detection circuit uses MICVDD, or any one of the MICBIAS_{xy} sources, as a reference. The applicable source is configured using the MICD_n_BIAS_SRC field. If HPDET_n or JACKDET_n is selected as the measurement pin (MICD_n_SENSE_SEL = 1XX), MICD_n_BIAS_SRC should be set to 1111.

The microphone detection function is enabled by setting MICD_n_ENA.

When microphone detection is enabled, the CS47L90 performs a number of measurements in order to determine the external impedance between the selected pins. The measurement process is repeated at a cyclic rate controlled by MICD_n_RATE. The MICD_n_RATE field selects the delay between completion of one measurement and the start of the next. When the microphone detection result has settled, the CS47L90 indicates valid data by setting MICD_n_VALID.

The discrete measurement mode and ADC measurement mode provide different capabilities for microphone detection. The control requirements and the measurement indication mechanisms differ according to the selected mode, as follows:

- In the discrete measurement mode (MICD_n_ADC_MODE = 0), the measured impedance is only deemed valid after more than one successive measurement has produced the same result. The MICD_n_DBTIME field provides control of the debounce period; this can be either two measurements or four measurements.

When the microphone detection result has settled (i.e., after the applicable debounce period), the CS47L90 indicates valid data by setting the MICD_n_VALID bit. The measured impedance is indicated using the MICD_n_LVL and MICD_n_STS bits, as described in [Table 4-93](#).

The MICD_n_VALID bit, when set, remains asserted for as long as the microphone detection function is enabled (i.e., while MICD_n_ENA = 1). If the detected impedance changes, the MICD_n_LVL and MICD_n_STS fields change, but the MICD_n_VALID bit remains set, indicating valid data at all times.

The detection circuit supports up to eight impedance levels (including the no-accessory-detected level), enabling detection of a typical microphone and up to six push buttons. Each measurement level can be enabled or disabled independently; this provides flexibility according to the required thresholds, and offers a faster measurement time in some applications. The MICD_n_LVL_SEL field is described in [Section 4.13.3.3](#). The default configuration supports a maximum of four push buttons, in accordance with the Android™ wired headset specification.

Note that, for typical headset detection, the choice of external resistance values must take into account the impedance of the microphone—the detected impedance corresponds to the combined parallel resistance of the microphone and any asserted push button. Examples of suitable external components are described in [Section 5.1.7](#).

- In the ADC measurement mode (MICD_n_ADC_MODE = 1), the detection function generates two output results, contained within the MICD_n_ADCVAL and MICD_n_ADCVAL_DIFF fields. These fields contain the most recent measurement value (MICD_n_ADCVAL) and the measurement difference value (MICD_n_ADCVAL_DIFF). The difference value indicates the difference between the latest measurement and the previous measurement; this can be used to determine whether the measurement is stable and reliable.

In ADC measurement mode, the detection function must be disabled before the measurement can be read. When the CS47L90 indicates valid data (MICD_n_VALID = 1), the detection must be disabled by setting MICD_n_ENA = 0.

Note that MICD_n_ADCVAL and MICD_n_ADCVAL_DIFF do not follow a linear coding. The appropriate test condition for accepting the measurement value (or for rescheduling the measurement) varies depending on the application requirements, and depending on the expected impedance value.

The microphone detection functions are inputs to the interrupt control circuit and can be used to trigger an interrupt event every time an accessory insertion, removal, or impedance change is detected; see [Section 4.16](#).

The fields associated with microphone detection (or other accessories) are described in [Table 4-93](#). The external circuit configuration is shown in [Fig. 4-59](#).

Table 4-93. Microphone Detect Control

Register Address	Bit	Label	Default	Description
R674 (0x02A2) Mic_Detect_1_ Control_0	15	MICD1_ADC_ MODE	0	Mic Detect 1 Measurement Mode 0 = Discrete Mode 1 = ADC Mode
	6:4	MICD1_SENSE_ SEL[2:0]	000	Mic Detect 1 Sense Select 000 = MICDET1 001 = MICDET2 010 = MICDET3 011 = MICDET4 100 = HPDET1 101 = HPDET2 110 = JACKDET1 111 = JACKDET2
	2:0	MICD1_GND_ SEL[2:0]	000	Mic Detect 1 Ground Select 000 = MICDET1/HPOUTFB1 001 = MICDET2/HPOUTFB2 010 = MICDET3/HPOUTFB3 011 = MICDET4/HPOUTFB4 All other codes are reserved
R675 (0x02A3) Mic_Detect_1_ Control_1	15:12	MICD1_BIAS_ STARTTIME[3:0]	0001	Mic Detect 1 Bias Start-up Delay (If MICBIAS is not enabled, this field selects the delay time allowed for MICBIAS to start-up before performing the MICDET function.) 0000 = 0 ms (continuous) 0101 = 4 ms 1010 = 128 ms 0001 = 0.25 ms 0110 = 8 ms 1011 = 256 ms 0010 = 0.5 ms 0111 = 16 ms 1100 = 512 ms 0011 = 1 ms 1000 = 32 ms 1101 = 24 ms 0100 = 2 ms 1001 = 64 ms 1110 to 1111 = 512 ms
	11:8	MICD1_ RATE[3:0]	0001	Mic Detect 1 Rate (Selects the delay between successive MICDET measurements.) 0000 = 0 ms (continuous) 0101 = 4 ms 1010 = 128 ms 0001 = 0.25 ms 0110 = 8 ms 1011 = 256 ms 0010 = 0.5 ms 0111 = 16 ms 1100 = 512 ms 0011 = 1 ms 1000 = 32 ms 1101 = 24 ms 0100 = 2 ms 1001 = 64 ms 1110 to 1111 = 512 ms
	7:4	MICD1_BIAS_ SRC[3:0]	0000	Mic Detect 1 Reference Select 0000 = MICBIAS1A 0100 = MICBIAS2A 1111 = MICVDD 0001 = MICBIAS1B 0101 = MICBIAS2B 0010 = MICBIAS1C 0110 = MICBIAS2C 0011 = MICBIAS1D 0111 = MICBIAS2D All other codes are reserved
	1	MICD1_DBTIME	1	Mic Detect 1 Debounce 0 = 2 measurements 1 = 4 measurements Only valid when MICD1_ADC_MODE = 0.
	0	MICD1_ENA	0	Mic Detect 1 Enable 0 = Disabled 1 = Enabled
R676 (0x02A4) Mic_Detect_1_ Control_2	7:0	MICD1_LVL_ SEL[7:0]	1001_ 1111	Mic Detect 1 Level Select (enables mic/accessory detection in specific impedance ranges) [7] = Enable >1 k Ω detection [3] = Not used [6] = Not used [2] = Enable 360–680 Ω detection [5] = Not used [1] = Enable 210–290 Ω detection [4] = Not used [0] = Enable 110–180 Ω detection Only valid when MICD1_ADC_MODE = 0.

Table 4-93. Microphone Detect Control (Cont.)

Register Address	Bit	Label	Default	Description
R677 (0x02A5) Mic_Detect_1_ Control_3	10:2	MICD1_LVL[8:0]	0_0000_0000	Mic Detect 1 Level (indicates the measured impedance) [8] = >1 k Ω , <30 k Ω [3] = 360–680 Ω [7] = Not used [2] = 210–290 Ω [6] = Not used [1] = 110–180 Ω [5] = Not used [0] = 0–70 Ω [4] = Not used Only valid when MICD1_ADC_MODE = 0.
	1	MICD1_VALID	0	Mic Detect 1 Data Valid 0 = Not Valid 1 = Valid
	0	MICD1_STS	0	Mic Detect 1 Status 0 = No mic/accessory present (impedance is >30 k Ω) 1 = Mic/accessory is present (impedance is <30 k Ω) Only valid when MICD1_ADC_MODE = 0.
R683 (0x02AB) Mic_Detect_1_ Control_4	15:8	MICD1_ADCVAL_DIFF[7:0]	0x00	Mic Detect 1 ADC Level (Difference) Only valid when MICD1_ADC_MODE = 1.
	6:0	MICD1_ADCVAL[6:0]	0x00	Mic Detect 1 ADC Level Only valid when MICD1_ADC_MODE = 1.
R690 (0x02B2) Mic_Detect_2_ Control_0	15	MICD2_ADC_MODE	0	Mic Detect 2 Measurement Mode 0 = Discrete Mode 1 = ADC Mode
	6:4	MICD2_SENSE_SEL[2:0]	000	Mic Detect 2 Sense Select 000 = MICDET1 100 = HPDET1 001 = MICDET2 101 = HPDET2 010 = MICDET3 110 = JACKDET1 011 = MICDET4 111 = JACKDET2
	2:0	MICD2_GND_SEL[2:0]	000	Mic Detect 2 Ground Select 000 = MICDET1/HPOUTFB1 011 = MICDET4/HPOUTFB4 001 = MICDET2/HPOUTFB2 All other codes are reserved 010 = MICDET3/HPOUTFB3
R691 (0x02B3) Mic_Detect_2_ Control_1	15:12	MICD2_BIAS_STARTTIME[3:0]	0001	Mic Detect 2 Bias Start-up Delay (If MICBIAS is not enabled, this field selects the delay time allowed for MICBIAS to start-up before performing the MICDET function.) 0000 = 0 ms (continuous) 0101 = 4 ms 1010 = 128 ms 0001 = 0.25 ms 0110 = 8 ms 1011 = 256 ms 0010 = 0.5 ms 0111 = 16 ms 1100 = 512 ms 0011 = 1 ms 1000 = 32 ms 1101 = 24 ms 0100 = 2 ms 1001 = 64 ms 1110 to 1111 = 512 ms
	11:8	MICD2_RATE[3:0]	0001	Mic Detect 2 Rate (Selects the delay between successive MICDET measurements.) 0000 = 0 ms (continuous) 0101 = 4 ms 1010 = 128 ms 0001 = 0.25 ms 0110 = 8 ms 1011 = 256 ms 0010 = 0.5 ms 0111 = 16 ms 1100 = 512 ms 0011 = 1 ms 1000 = 32 ms 1101 = 24 ms 0100 = 2 ms 1001 = 64 ms 1110 to 1111 = 512 ms
	7:4	MICD2_BIAS_SRC[3:0]	0000	Mic Detect 2 Reference Select 0000 = MICBIAS1A 0100 = MICBIAS2A 1111 = MICVDD 0001 = MICBIAS1B 0101 = MICBIAS2B All other codes are reserved 0010 = MICBIAS1C 0110 = MICBIAS2C 0011 = MICBIAS1D 0111 = MICBIAS2D
	1	MICD2_DBTIME	1	Mic Detect 2 Debounce 0 = 2 measurements 1 = 4 measurements Only valid when MICD2_ADC_MODE = 0.
	0	MICD2_ENA	0	Mic Detect 2 Enable 0 = Disabled 1 = Enabled

Table 4-93. Microphone Detect Control (Cont.)

Register Address	Bit	Label	Default	Description
R692 (0x02B4) Mic_Detect_2_ Control_2	7:0	MICD2_LVL_ SEL[7:0]	1001_ 1111	Mic Detect 2 Level Select (enables mic/accessory detection in specific impedance ranges) [7] = Enable >1 kΩ detection [3] = Not used [6] = Not used [2] = Enable 360–680 Ω detection [5] = Not used [1] = Enable 210–290 Ω detection [4] = Not used [0] = Enable 110–180 Ω detection Only valid when MICD2_ADC_MODE = 0.
R693 (0x02B5) Mic_Detect_2_ Control_3	10:2	MICD2_LVL[8:0]	0_0000_ 0000	Mic Detect 2 Level (indicates the measured impedance) [8] = >1 kΩ, <30 kΩ [3] = 360–680 Ω [7] = Not used [2] = 210–290 Ω [6] = Not used [1] = 110–180 Ω [5] = Not used [0] = 0–70 Ω [4] = Not used Only valid when MICD2_ADC_MODE = 0.
	1	MICD2_VALID	0	Mic Detect 2 Data Valid 0 = Not Valid 1 = Valid
	0	MICD2_STS	0	Mic Detect 2 Status 0 = No mic/accessory present (impedance is >30 kΩ) 1 = Mic/accessory is present (impedance is <30 kΩ) Only valid when MICD2_ADC_MODE = 0.
R699 (0x02BB) Mic_Detect_2_ Control_4	15:8	MICD2_ ADCVAL_ DIFF[7:0]	0x00	Mic Detect 2 ADC Level (Difference) Only valid when MICD2_ADC_MODE = 1.
	6:0	MICD2_ ADCVAL[6:0]	0x00	Mic Detect 2 ADC Level Only valid when MICD2_ADC_MODE = 1.

The external connections for the microphone detect circuit are shown in [Fig. 4-59](#). In typical applications, it can be used to detect a microphone or button press.

Note that, when using the microphone detect circuit, it is recommended to use the IN1B or IN2B analog microphone input paths to ensure best immunity to electrical transients arising from the external accessory.

Note that the IN1B or IN2B analog mic channels are recommended for use with the external accessory detect function.

If measuring the impedance on a MICBIAS-powered pin, one of the MICDET_n inputs must always be used as the sense pin, as shown.

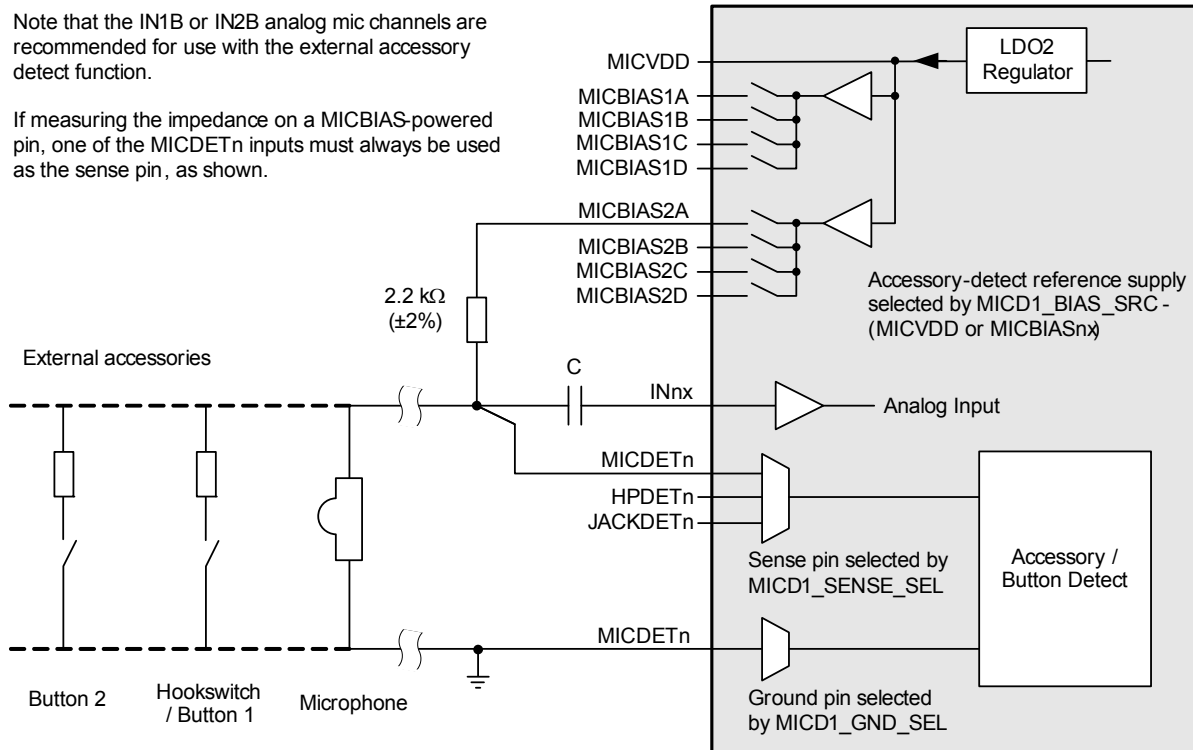


Figure 4-59. Microphone- and Accessory-Detect Interface

4.13.3.2 MICBIAS Reference Control

The voltage reference for the microphone detection is configured using the MICD_n_BIAS_SRC field, as described in [Table 4-93](#). The microphone detection function automatically enables the applicable reference when required for impedance measurement.

If the selected reference (MICBIAS_{xy}) is not already enabled, the microphone detect circuit automatically enables the respective MICBIAS output for short periods of time only, every time the impedance measurement is scheduled. To allow time for the MICBIAS source to start-up, a time delay is applied before the measurement is performed; this is configured using MICD_n_BIAS_STARTTIME, as described in [Table 4-93](#).

Note: The microphone detection automatically enables the applicable MICBIAS_{xy} output switch, every time the impedance measurement is scheduled. The respective MICBIAS generator (MICBIAS1 or MICBIAS2) is not controlled automatically—the applicable generators must be enabled using the MICB1_ENA and MICB2_ENA bits, as described in [Table 4-134](#).

The MICD_n_BIAS_STARTTIME field should be set to 16 ms or more if MICB_n_RATE = 1 (pop-free start-up/shutdown). MICD_n_BIAS_STARTTIME should be set to 0.25 ms or more if MICB_n_RATE = 0 (fast start-up/shutdown).

The timing of the microphone detect function is shown in [Fig. 4-60](#). Two different cases are shown, according to whether MICBIAS_{xy} is enabled periodically by the impedance measurement function, or is enabled at all times.

If the selected reference (MICBIAS_{xy}) is not enabled continuously, the respective MICBIAS_{xy} discharge bits should be cleared. The MICBIAS control registers are described in [Section 4.20](#).

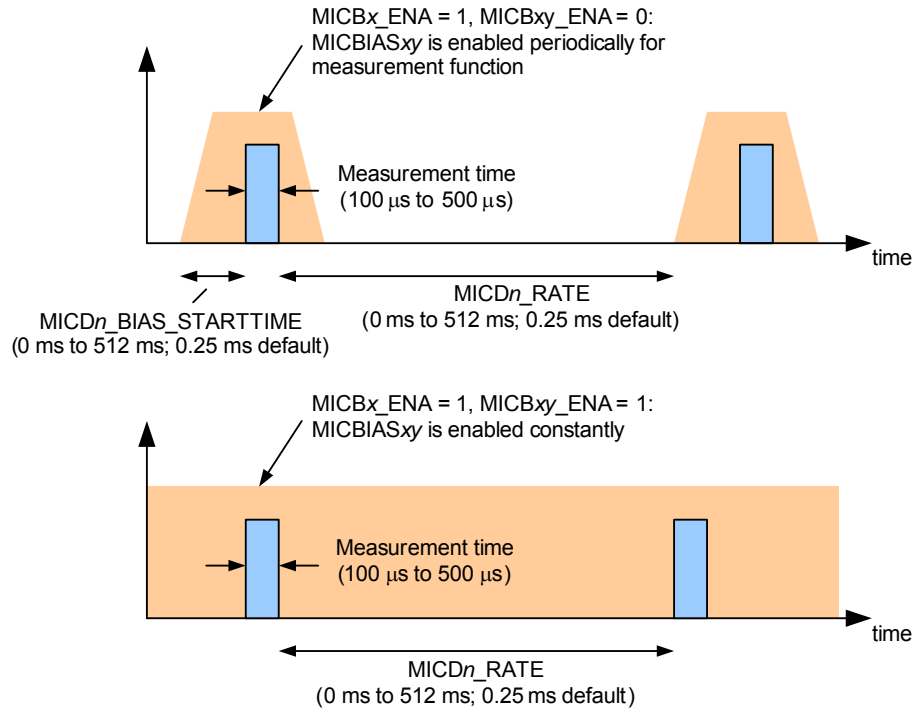


Figure 4-60. Microphone- and Accessory-Detect Timing

4.13.3.3 Measurement Range Control

When the discrete measurement mode is selected ($MICDn_ADC_MODE = 0$), the $MICDn_LVL_SEL[7:0]$ bits allow each impedance measurement level to be enabled or disabled independently. This allows the function to be tailored to the particular application requirements.

If one or more bits within $MICDn_LVL_SEL$ is cleared, the corresponding impedance level is disabled. Any measured impedance which lies in a disabled level is reported as the next lowest, enabled level.

For example, the $MICDn_LVL_SEL[2]$ bit enables the detection of a 360–680 Ω impedance. If $MICDn_LVL_SEL[2] = 0$, an external impedance in this range is indicated in the next lowest detection range (210–290 Ω); this would be reported in the $MICDn_LVL$ field as $MICDn_LVL[2] = 1$.

With default register configuration, and all measurement levels enabled, the CS47L90 can detect the presence of a typical microphone and up to four push buttons. It is possible to configure the detection circuit for up to eight push buttons, by adjusting the impedance detection thresholds. However, adjustment of the detection thresholds is outside the scope of this data sheet—please contact your local Cirrus Logic representative for further information, if required.

The measurement time varies between 100–500 μs , depending on the impedance of the external load, and depending on how many impedance measurement levels are enabled. A high impedance is measured faster than a low impedance.

4.13.3.4 External Components

The external connections for the microphone detect circuit are shown in [Fig. 4-59](#). Examples of suitable external components are described in [Section 5.1.7](#).

The accuracy of the microphone detect function is assured whenever the connected load is within the applicable limits specified in [Table 3-11](#). It is required that a 2.2-k Ω (2%) resistor must also be connected between the measurement (SENSE) pin and the selected MICBIAS reference—different resistor values lead to inaccuracy in the impedance measurement.

Note that, for typical headset detection, the choice of external resistance values must take into account the impedance of the microphone—the detected impedance corresponds to the combined parallel resistance of the microphone and any asserted push button.

4.13.4 Headphone Detect

The CS47L90 headphone detection circuit measures the impedance of an external headphone load. This feature can be used to set different gain levels or to apply other configuration settings according to the type of load connected. Separate monitor pins are provided for headphone detection on the left and right channels of HPOUT n .

4.13.4.1 Headphone Detection Control

The headphone detection circuit measures the external impedance connected to the HPDET n pins. In typical usage, this provides measurement of the load impedance on one or more of the headphone outputs (HPOUT1–3).

Note that impedance measurement is also possible via the MICDET n and JACKDET n pins, subject to some additional constraints. If the measurement (sense) pin is connected to one of the headphone outputs, HPDET1, HPDET2, or JACKDET1 must always be used. The valid measurement range and the measurement accuracy are reduced, if using the MICDET n or JACKDET n pins.

To configure the headphone detection circuit, the applicable pin connections for the intended measurement must be written to the HPD_SENSE_SEL and HPD_GND_SEL fields. The headphone detection circuit measures the external impedance between the pins selected by these two fields; the valid selections for each are defined in [Table 4-96](#).

- When measuring the load impedance on the HPOUT1 or HPOUT2 output paths, the HPD_GND_SEL selection should be the same MICDET n /HPOUTFB n pin as the ground feedback pin for the applicable headphone output. See [Section 4.12.8](#) to configure the ground feedback pin for HPOUT1 and HPOUT2.
- When measuring the load impedance on the HPOUT3 output path, one of the MICDET n /HPOUTFB n pins must be connected to HPOUT3FB, and the HPD_GND_SEL field should select the same MICDET n /HPOUTFB n pin as the measurement reference.

The HPD_FRC_SEL field must also be configured, to select where the measurement current is applied. As a general rule, this should be the same as the HPD_SENSE_SEL pin. Other configurations can be used if required—for example, to improve measurement accuracy in cases where the SENSE input path includes significant unwanted resistance.

Note: There is no requirement for the SENSE and GND pin selections to be uniquely assigned between the microphone detect and headphone detect functions—the same pin may be used as a SENSE or GND connection for more than one of the detection functions. If multiple microphone/headphone detections are enabled, the respective measurements are automatically scheduled in isolation to each other. See [Section 4.13.3](#) for details of the microphone detect function.

Headphone detection is commanded by writing 1 to HPD_POLL.

The impedance measurement range is configured using HPD_IMPEDANCE_RANGE. This field should be set in accordance with the expected load impedance. Note that a number of separate measurements are typically required to determine the load impedance; the recommended control requirements are described in [Section 4.13.4.2](#).

Note: Setting HPD_IMPEDANCE_RANGE is not required for detection on the MICDET n or JACKDET n pins (HPD_SENSE_SEL = 0XX or 11X). The impedance measurement range, and measurement accuracy, in these cases are different to the HPDET1 and HPDET2 measurements.

If headphone detection is performed using a measurement pin connected to one of the headphone outputs, the respective output driver must be disabled before the measurement is commanded. The required settings are shown in [Table 4-94](#).

Table 4-94. Output Configuration for Headphone Detect

Description	Requirement
HPOUT1L Impedance measurement	HPD_OVD_ENA = 1, HPD_OUT_SEL = 000, HP1L_ENA = 0
HPOUT1R Impedance measurement	HPD_OVD_ENA = 1, HPD_OUT_SEL = 001, HP1R_ENA = 0
HPOUT2L Impedance measurement	HPD_OVD_ENA = 1, HPD_OUT_SEL = 010, HP2L_ENA = 0
HPOUT2R Impedance measurement	HPD_OVD_ENA = 1, HPD_OUT_SEL = 011, HP2R_ENA = 0
HPOUT3L Impedance measurement	HPD_OVD_ENA = 1, HPD_OUT_SEL = 100, HP3L_ENA = 0
HPOUT3R Impedance measurement	HPD_OVD_ENA = 1, HPD_OUT_SEL = 101, HP3R_ENA = 0

Note: The applicable headphone outputs configuration must be maintained until after the headphone detection has completed. See [Table 4-78](#) for details of the HP n x_ENA bits.

If headphone detection is performed using a measurement pin that is not connected to one of the headphone outputs, the HPD_OVD_ENA bit should be cleared.

If headphone detection is performed using a measurement pin that is also connected to one of the MICBIAS outputs, the respective MICBIAS output must be disabled and floating (MICB_{nx}_ENA = 0, MICB_{nx}_DISCH = 0).

When headphone detection is commanded, the CS47L90 uses an adjustable current source to determine the connected impedance. A sweep of measurement currents is applied. The rate of this sweep can be adjusted using HPD_CLK_DIV and HPD_RATE.

4.13.4.2 Measurement Output

The headphone detection process typically comprises a number of separate measurements (for different impedance ranges). Completion of each measurement is indicated by HPD_DONE. When this bit is set, the measurement result can be read from the HPD_DACVAL field, and decoded as described in Eq. 4-2.

$$\text{Impedance } (\Omega) = \frac{C_0 + (C_1 \times \text{Offset})}{\left[\frac{(\text{HPD_DACVAL} + 0.5)}{C_2} \right] - \left[\frac{1}{C_3(1 + (C_4 \times \text{Gradient}))} \right]} - C_5$$

Equation 4-2. Headphone Impedance Calculation

The associated parameters for decoding the measurement result are defined Table 4-95. The applicable values are dependent on the HPD_IMPEDANCE_RANGE setting in each case. The *Offset* and *Gradient* values are derived from register fields that are factory-calibrated for each device.

Table 4-95. Headphone Measurement Decode Parameters

Parameter	HPD_IMPEDANCE_RANGE = 00	HPD_IMPEDANCE_RANGE = 01	HPD_IMPEDANCE_RANGE = 10	HPD_IMPEDANCE_RANGE = 11
C ₀	1.014	1.014	9.744	101.158
C ₁	-0.0043	-0.0086	-0.0795	-0.9494
C ₂	3950	7975	7300	7300
C ₃	69.3	69.6	62.9	63.2
C ₄	0.0055	0.0055	0.0055	0.0055
C ₅	0.7	0.7	0.7	0.7
Offset	HP_OFFSET_00	HP_OFFSET_01	HP_OFFSET_10	HP_OFFSET_11
Gradient	HP_GRADIENT_0X	HP_GRADIENT_0X	HP_GRADIENT_1X	HP_GRADIENT_1X

Note that, to achieve the specified measurement accuracy, the above equation must be calculated to an accuracy of at least 5 decimal places throughout.

The impedance measurement result is valid if 169 ≤ HPD_DACVAL ≤ 1019. (In case of any contradiction with the HPD_IMPEDANCE_RANGE description, the HPD_DACVAL validity takes precedence.)

If the external impedance is entirely unknown (i.e., it could lie in any of the HPD_IMPEDANCE_RANGE regions), it is recommended to test initially with HPD_IMPEDANCE_RANGE = 00. If the resultant HPD_DACVAL is < 169, the impedance is higher than the selected measurement range, so the test should be scheduled again, after incrementing HPD_IMPEDANCE_RANGE.

Each measurement is triggered by writing 1 to HPD_POLL. Completion of each measurement is indicated by HPD_DONE. Note that, after HPD_DONE bit has been asserted, it remains asserted until the next measurement has been commanded.

Note: A simpler, but less accurate, procedure for headphone impedance measurement is also supported, using the HPD_LVL field. When the HPD_DONE bit is set, indicating completion of a measurement, the impedance can be read directly from the HPD_LVL field, provided that the value lies within the range of the applicable HPD_IMPEDANCE_RANGE setting.

Note that, for detection using the MICDET_n or JACKDET_n pins, the HPD_LVL field is the only supported measurement output option. The HPD_IMPEDANCE_RANGE field is not valid for detection on the MICDET_n or JACKDET_n pins. See Table 4-96 for further description of the HPD_LVL field.

The headphone detection function is an input to the interrupt control circuit and can be used to trigger an interrupt event on completion of the headphone detection; see [Section 4.16](#).

The fields associated with headphone detection are described in [Table 4-96](#). The external circuit configuration is shown [Fig. 4-61](#).

Note that 32-bit register addressing is used from R12888 (0x3000) upwards; 16-bit format is used otherwise. The registers noted in [Table 4-96](#) contain a mixture of 16- and 32-bit register addresses.

Table 4-96. Headphone Detect Control

Register Address	Bit	Label	Default	Description
R665 (0x0299) Headphone_Detect_0	15	HPD_OVD_ENA	0	Headphone Detect Output Override Enable This bit, when set, causes the HPD_OUT_SEL headphone output channel to be automatically configured for headphone detection each time headphone detection is scheduled. Note that the respective output driver must also be disabled (HPnx_ENA = 0) for the duration of a headphone output impedance measurement. 0 = Disabled 1 = Enabled
	14:12	HPD_OUT_SEL[2:0]	000	Headphone Detect Output Channel Select 000 = HPOUT1L 100 = HPOUT3L 001 = HPOUT1R 101 = HPOUT3R 010 = HPOUT2L All other codes are reserved 011 = HPOUT2R
	10:8	HPD_FRC_SEL[2:0]	000	Headphone Detect Measurement Current Pin Select 000 = MICDET1 100 = HPDET1 001 = MICDET2 101 = HPDET2 010 = MICDET3 110 = JACKDET1 011 = MICDET4 111 = JACKDET2
	6:4	HPD_SENSE_SEL[2:0]	000	Headphone Detect Sense Pin Select 000 = MICDET1 100 = HPDET1 001 = MICDET2 101 = HPDET2 010 = MICDET3 110 = JACKDET1 011 = MICDET4 111 = JACKDET2
	2:0	HPD_GND_SEL[2:0]	000	Headphone Detect Ground Pin Select 000 = MICDET1/HPOUTFB1 011 = MICDET4/HPOUTFB4 001 = MICDET2/HPOUTFB2 All other codes are reserved 010 = MICDET3/HPOUTFB3
R667 (0x029B) Headphone_Detect_1	10:9	HPD_IMPEDANCE_RANGE[1:0]	00	Headphone Detect Range 00 = 4 Ω to 30 Ω 01 = 8 Ω to 100 Ω 10 = 100 Ω to 1 kΩ 11 = 1 kΩ to 10 kΩ Only valid when HPD_SENSE_SEL = 100 or 101.
	4:3	HPD_CLK_DIV[1:0]	00	Headphone Detect Clock Rate (Selects the clocking rate of the headphone detect adjustable current source. Decreasing the clock rate gives a slower measurement time.) 00 = 32 kHz 01 = 16 kHz 10 = 8 kHz 11 = 4 kHz
	2:1	HPD_RATE[1:0]	00	Headphone Detect Sweep Rate (Selects the step size between successive measurements. Increasing the step size gives a faster measurement time.) 00 = 1 01 = 2 10 = 4 11 = Reserved
	0	HPD_POLL	0	Headphone Detect Enable Write 1 to start HP Detect function

Table 4-96. Headphone Detect Control (Cont.)

Register Address	Bit	Label	Default	Description
R668 (0x029C) Headphone_Detect_2	15	HPD_DONE	0	Headphone Detect Status 0 = HP Detect not complete 1 = HP Detect done
	14:0	HPD_LVL[14:0]	0x0000	Headphone Detect Level LSB = 0.5 Ω 8 = 4 Ω or less 9 = 4.5 Ω 10 = 5 Ω 11 = 5.5 Ω ... 20,000 = 10 k Ω or more For HPDET1 or HPDET2 measurement (HPD_SENSE_SEL = 100 or 101), HPD_LVL is valid from 4 Ω to 10 k Ω , within the range selected by HPD_IMPEDANCE_RANGE. For other measurements, HPD_LVL is valid from 400 Ω to 6 k Ω only. If HPD_LVL reports a value outside the valid range, the range should be adjusted and the measurement repeated. A 0- Ω result may be reported if the measurement is less than the minimum value for the selected range.
R669 (0x029D) Headphone_Detect_3	9:0	HPD_DACVAL[9:0]	0x000	Headphone Detect Level (Coded as integer, LSB = 1). See separate description for full decode information.
R131076 (0x20004) OTP_HPDET_Cal_1	31:24	HP_OFFSET_11[7:0]	See Footnote 1	Headphone Detect Calibration field. Signed number, LSB = 0.25. Range is -31.75 to +31.75. Default value is factory-set per device.
	23:16	HP_OFFSET_10[7:0]	See Footnote 1	Headphone Detect Calibration field. Signed number, LSB = 0.25. Range is -31.75 to +31.75. Default value is factory-set per device.
	15:8	HP_OFFSET_01[7:0]	See Footnote 1	Headphone Detect Calibration field. Signed number, LSB = 0.25. Range is -31.75 to +31.75. Default value is factory-set per device.
	7:0	HP_OFFSET_00[7:0]	See Footnote 1	Headphone Detect Calibration field. Signed number, LSB = 0.25. Range is -31.75 to +31.75. Default value is factory-set per device.
R131078 (0x20006) OTP_HPDET_Cal_2	15:8	HP_GRADIENT_1X[7:0]	See Footnote 1	Headphone Detect Calibration field. Signed number, LSB = 0.25. Range is -31.75 to +31.75. Default value is factory-set per device.
	7:0	HP_GRADIENT_0X[7:0]	See Footnote 1	Headphone Detect Calibration field. Signed number, LSB = 0.25. Range is -31.75 to +31.75. Default value is factory-set per device.

1. Default value is factory-set per device.

The external connections for the headphone detect circuit are shown in [Fig. 4-61](#).

Note that the HPOUTFB ground connection should be close to headset jack.

If measuring the impedance on a headphone output path, HPDET1, HPDET2, or JACKDET1 must be used as the sense pin.

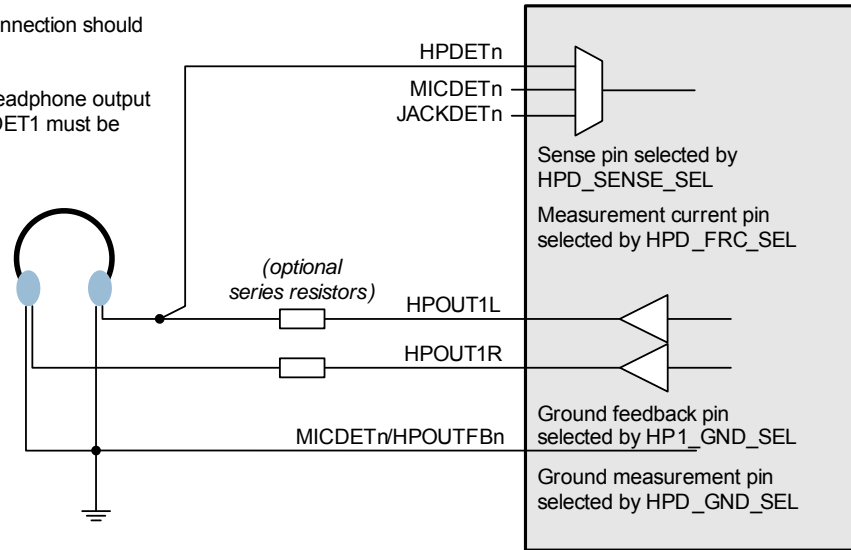


Figure 4-61. Headphone Detect Interface

Note that, where external resistors are connected in series with the headphone load, as shown, it is recommended that the HPDET n connection is to the headphone side of the resistors. If the HPDET n connection is made to the CS47L90 end of these resistors, this leads to a corresponding offset in the measured impedance.

Under default conditions, the measurement time varies between 17–244 ms, depending on the impedance of the external load. A high impedance is measured faster than a low impedance.

4.14 Low Power Sleep Configuration

The CS47L90 supports a low-power Sleep mode, in which most functions are disabled and power consumption is minimized. The CS47L90 enters Sleep Mode when the DCVDD supply is removed. Note that the AVDD and DBVDD1 supplies must be present throughout the Sleep Mode duration.

In Sleep Mode, the CS47L90 can generate an interrupt event in response to a change in voltage on the JACKDET1 or JACKDET2 pins. This enables a jack insertion event (or other digital logic transition) to be used to trigger a wake-up of the CS47L90.

The system clocks (SYSCLK, ASYNCCLK, DSPCLK) should be disabled before selecting Sleep Mode. The external clock input (MCLK n) may also be stopped, if desired.

The functionality and control fields associated with Sleep Mode are supported via an internal always-on supply domain.

The always-on control registers are listed in [Table 4-97](#). These fields are maintained (i.e., not reset) in Sleep Mode.

Note that the control interface is not supported in Sleep Mode; read/write access to the always-on registers is not possible. Access to the register map using any of the control interfaces should be ceased before selecting Sleep Mode.

Table 4-97. Sleep Mode Always-On Control Registers

Register Address	Label	Reference
R710 (0x02C6)	MICD_CLAMP_OVD	See Section 4.13
	MICD_CLAMP_MODE[3:0]	
R723 (0x02D3)	JD2_ENA	
	JD1_ENA	

Table 4-97. Sleep Mode Always-On Control Registers (Cont.)

Register Address	Label	Reference
R6150 (0x1806)	MICD_CLAMP_FALL_EINT1	See Section 4.16
	MICD_CLAMP_RISE_EINT1	
	JD2_FALL_EINT1	
	JD2_RISE_EINT1	
	JD1_FALL_EINT1	
	JD1_RISE_EINT1	
R6214 (0x1846)	IM_MICD_CLAMP_FALL_EINT1	
	IM_MICD_CLAMP_RISE_EINT1	
	IM_JD2_FALL_EINT1	
	IM_JD2_RISE_EINT1	
	IM_JD1_FALL_EINT1	
	IM_JD1_RISE_EINT1	
R6784 (0x1A80)	IM_IRQ1	
	IRQ_POL	
	IRQ_OP_CFG	
R6864 (0x1AD0)	RESET_PU	See Section 4.24
	RESET_PD	

The always-on digital I/O pins are listed in [Table 4-98](#). All other digital input pins have no effect in Sleep Mode; all other digital output pins are undriven (floating).

The $\overline{\text{IRQ}}$ output is normally deasserted in Sleep Mode. In Sleep Mode, the $\overline{\text{IRQ}}$ output can be asserted only in response to the JACKDET1 or JACKDET2 inputs. If the $\overline{\text{IRQ}}$ output is asserted in Sleep Mode, it can be deasserted only after a wake-up transition.

Output drivers and bus keepers are disabled in Sleep Mode, for all pins not on the always-on domain; this means that the logic level on these pins is undefined. If a defined logic state is required during Sleep Mode (e.g., as input to another device), an external pull resistor may be required. If an external pull resistor is connected to a pin that also supports a bus keeper function, the pull resistance should be chosen carefully, taking into account the resistance of the bus keeper. See [Section 4.15.1](#) for specific notes concerning the GPIO pins.

Table 4-98. Sleep Mode Always-On Digital Input/Output Pins

Pin Name	Description	Reference
$\overline{\text{IRQ}}$	Interrupt Request output	See Section 4.16
JACKDET1	Jack Detect input 1	See Section 4.13
JACKDET2	Jack Detect input 2	See Section 4.13
$\overline{\text{RESET}}$	Digital Reset input (active low)	See Section 4.24

The always-on functionality includes the JD1 and JD2 control signals, which provide support for the low-power Sleep Mode. The MICDET clamp status signal is also supported; this is controlled by a selectable logic function, derived from JD1 and/or JD2.

The JD1, JD2 and MICDET clamp status signals are derived from the JACKDET1 and JACKDET2 inputs, and can be used to trigger the interrupt controller.

- The JD1 and JD2 signals are derived from the jack detect function (see [Section 4.13](#)). These inputs can be used to trigger a response to a jack insertion or jack removal detection.

When these signals are enabled, the JD1 and JD2 signals indicate the status of the JACKDET1 and JACKDET2 input pins respectively. See [Table 4-90](#) for details of the associated control fields.

- The MICDET clamp status is controlled by the JD1 and/or JD2 signals (see [Section 4.13](#)). The configurable logic provides flexibility in selecting the appropriate conditions for activating the MICDET clamp. The clamp status can be used to trigger a response to a jack insertion or jack removal detection.

The MICDET clamp function is configured using MICD_CLAMP_MODE, as described in [Table 4-91](#).

The interrupt functionality associated with these signals is part of the always-on functionality, enabling the CS47L90 to provide indication of jack insertion or jack removal to the host processor in Sleep Mode; see [Section 4.16](#).

Note that the JACKDET1 and JACKDET2 inputs do not result in a wake-up transition directly; a wake-up transition only occurs by reapplication of DCVDD. In a typical application, the JACKDET n inputs provide a signal to the applications processor, via the IRQ output; if a wake-up transition is required, this is triggered by the applications processor enabling the DCVDD supply.

4.15 General-Purpose I/O

The CS47L90 supports up to 38 GPIO pins, which can be assigned to application-specific functions. The GPIOs enable interfacing and detection of external hardware and can provide logic outputs to other devices. The GPIO input functions can be used to generate an interrupt (IRQ) event.

There are 8 dedicated GPIO pins; the remaining 30 GPIOs are implemented as alternate functions to a pin-specific capability. The GPIO and interrupt circuits support the following functions:

- Pin-specific alternative functions for external interfaces (AIF, DMIC, PDM, MIF)
- Logic input/button detect (GPIO input)
- Logic 1 and Logic 0 output (GPIO output)
- Interrupt (IRQ) status output
- Clock output
- Frequency-locked loop (FLL) status output
- FLL clock output
- IEC-60958-3-compatible S/PDIF output
- Pulse-width modulation (PWM) signal output
- ASRC lock status
- General-purpose timer status output
- Event logger FIFO buffer status output

Note that the GPIO pins are referenced to different power domains (DBVDD1, DBVDD2, or DBVDD3), as indicated in [Table 1-1](#).

Logic input and output (GPIO) can be supported in two different ways on the CS47L90. The standard mechanism described in this section provides a comprehensive suite of options including input debounce, and selectable output drive configuration. The DSP GPIO circuit is tailored towards more advanced requirements typically demanded by DSP software features. The DSP GPIO functions are described in [Section 4.5.4](#).

The CS47L90 also incorporates two general-purpose switches; these are analog switches, described in [Section 4.15.16](#).

4.15.1 GPIO Control

For each GPIO, the selected function is determined by the GP n _FN field, where n identifies the GPIO pin (1–38). The pin direction, set by GP n _DIR, must be set according to function selected by GP n _FN.

If a pin is configured as a GPIO input (GP n _DIR = 1, GP n _FN = 0x001), the logic level at the pin can be read from the respective GP n _LVL bit. Note that GP n _LVL is not affected by the GP n _POL bit.

A debounce circuit can be enabled on any GPIO input, to avoid false event triggers. This is enabled on each pin by setting the respective GP n _DB bit. The debounce circuit uses the 32-kHz clock, which must be enabled whenever input debounce functions are required. The debounce time is configurable using the GP_DBTIME field. See [Section 4.17](#) for further details of the CS47L90 clocking configuration.

Each GPIO pin is an input to the interrupt control circuit and can be used to trigger an interrupt event. An interrupt event is triggered on the rising and falling edges of the GPIO input. The associated interrupt bit is latched once set; it can be polled at any time or used to control the IRQ signal. See [Section 4.16](#) for details of the interrupt event handling.

Integrated pull-up and pull-down resistors are provided on each GPIO pin; these can be configured independently using the GPn_PU and GPn_PD fields. When the pull-up and pull-down control bits are both enabled, the CS47L90 provides a bus keeper function on the respective pin. The bus keeper function holds the logic level unchanged whenever the pin is undriven (e.g., if the signal is tristated).

Note: The bus keeper is enabled by default on all GPIO pins and, if not actively driven, may result in either a Logic 0 or Logic 1 at the respective input on start-up. If an external pull resistor is connected (e.g., to control the logic level in Sleep Mode), the chosen resistance should take account of the bus keeper resistance (see [Table 3-10](#)). A strong pull resistor (e.g., 10 k Ω) is required, if a specific start-up condition is to be forced by the external pull component.

If a pin is configured as a GPIO output ($GPn_DIR = 0$, $GPn_FN = 0x001$), its level can be set to Logic 0 or Logic 1 using the GPn_LVL field. Note that the GPn_LVL bits are write-only when the respective GPIO pin is configured as an output.

If a pin is configured as an output ($GPn_DIR = 0$), the polarity can be inverted using the GPn_POL bit. When $GPn_POL = 1$, the selected output function is inverted. In the case of logic level output ($GPn_FN = 0x001$), the external output is the opposite logic level to GPn_LVL when $GPn_POL = 1$. Note that, if $GPn_FN = 0x000$ or $0x002$, the GPn_POL bit has no effect on the respective GPIO pin.

A GPIO output can be either CMOS driven or open drain. This is selected on each pin using the respective GPn_OP_CFG bit. Note that if $GPn_FN = 0x000$ the GPn_OP_CFG bit has no effect on the respective GPIO pin—see [Table 4-99](#) for further details. If $GPn_FN = 0x002$, the respective pin output is CMOS.

The register fields that control the GPIO pins are described in [Table 4-99](#).

Table 4-99. GPIO Control

Register Address	Bit	Label	Default	Description
R5888 (0x1700) GPIO1_CTRL_1 to R5962 (0x174A) GPIO38_CTRL1	15	GPn_LVL	See Footnote 2	GPIO n level. Write to this bit to set a GPIO output. Read from this bit to read GPIO input level. For output functions only, if GPn_POL is set, the GPn_LVL bit is the opposite logic level to the external pin. Note that, if $GPn_DIR = 0$, the GPn_LVL bit is write-only.
	14	GPn_OP_CFG	0	GPIO n Output Configuration 0 = CMOS 1 = Open drain Note that, if $GPn_FN = 0x000$ or $0x002$, this bit has no effect on the GPIO n output. If $GPn_FN = 0x000$, the pin configuration is set according to the applicable pin-specific function (see Table 4-101). If $GPn_FN = 0x002$, the pin configuration is CMOS.
	13	GPn_DB	1	GPIO n Input Debounce 0 = Disabled 1 = Enabled
	11	GPn_POL	0	GPIO n Output Polarity Select 0 = Noninverted (Active High) 1 = Inverted (Active Low) Note that, if $GPn_FN = 0x000$ or $0x002$, this bit has no effect on the GPIO n output.
	8:0	$GPn_FN[8:0]$	0x001	GPIO n Pin Function (see Table 4-100 for details)

Table 4-99. GPIO Control (Cont.)

Register Address	Bit	Label	Default	Description
R5889 (0x1701) GPIO1_CTRL_2 to R5963 (0x174B) GPIO38_CTRL2	15	GP _n _DIR	1	GPIO _n Pin Direction 0 = Output 1 = Input Note that, if GP _n _FN = 0x000 or 0x002, this bit has no effect on the GPIO _n pin. If GP _n _FN = 0x000, the pin direction is set according to the applicable pin-specific function (see Table 4-101). If GP _n _FN = 0x002, the pin direction is set according to the DSP GPIO configuration.
	14	GP _n _PU	1	GPIO _n Pull-Up Enable 0 = Disabled 1 = Enabled Note: If GP _n _PD and GP _n _PU are both set, a bus keeper function is enabled on the respective GPIO _n pin.
	13	GP _n _PD	1	GPIO _n Pull-Down Enable 0 = Disabled 1 = Enabled Note: If GP _n _PD and GP _n _PU are both set, a bus keeper function is enabled on the respective GPIO _n pin.
R6848 (0x1AC0) GPIO_Debounce_ Config	3:0	GP_DBTIME[3:0]	0x0	GPIO Input debounce time 0x0 = 100 μs 0x1 = 1.5 ms 0x2 = 3 ms 0x3 = 6 ms 0x4 = 12 ms 0x5 = 24 ms 0x6 = 48 ms 0x7 = 96 ms 0x8 = 192 ms 0x9 = 384 ms 0xA = 768 ms 0xB to 0xF = Reserved

1. *n* is a number (1–38) that identifies the individual GPIO.

2. The default value of GP_n_LVL depends upon whether the pin is actively driven by another device. If the pin is actively driven, the bus keeper maintains this logic level. If the pin is not actively driven, the bus keeper may establish either a Logic 1 or Logic 0 as the initial input level.

4.15.2 GPIO Function Select

The available GPIO functions are described in Table 4-100. The function of each GPIO is set using GP_n_FN, where *n* identifies the GPIO pin (1–38). Note that the respective GP_n_DIR must also be set according to whether the function is an input or output.

Table 4-100. GPIO Function Select

GP _n _FN	Valid On	Description	Comments
0x000	GPIO9–38 only	Pin-specific alternate function	Alternate functions supporting digital microphone, digital audio interface, master control interface, and PDM output functions.
0x001	All GPIOs (1–38)	Button-detect input/logic-level output	GP _n _DIR = 0: GPIO pin logic level is set by GP _n _LVL. GP _n _DIR = 1: Button detect or logic level input.
0x002	All GPIOs (1–38)	DSP GPIO	Low latency input/output for DSP functions.
0x003	All GPIOs (1–38)	IRQ1 output	Interrupt (IRQ1) output 0 = IRQ1 not asserted 1 = IRQ1 asserted
0x004	All GPIOs (1–38)	IRQ2 output	Interrupt (IRQ2) output 0 = IRQ2 not asserted 1 = IRQ2 asserted
0x010	GPIO1–8 only	FLL1 clock	Clock output from FLL1
0x011	GPIO1–8 only	FLL2 clock	Clock output from FLL2
0x013	GPIO1–8 only	FLL_AO clock	Clock output from FLL_AO

Table 4-100. GPIO Function Select (Cont.)

GPn_FN	Valid On	Description	Comments
0x018	GPIO1–8 only	FLL1 lock	Indicates FLL1 lock status 0 = Not locked 1 = Locked
0x019	GPIO1–8 only	FLL2 lock	Indicates FLL2 lock status 0 = Not locked 1 = Locked
0x01B	GPIO1–8 only	FLL_AO lock	Indicates FLL_AO lock status 0 = Not locked 1 = Locked
0x040	GPIO1–8 only	OPCLK clock output	Configurable clock output derived from SYSCLK
0x041	GPIO1–8 only	OPCLK async clock output	Configurable clock output derived from ASYNCCLK
0x048	All GPIOs (1–38)	PWM1 output	Configurable PWM output PWM1
0x049	All GPIOs (1–38)	PWM2 output	Configurable PWM output PWM2
0x04C	All GPIOs (1–38)	S/PDIF output	IEC-60958-3—compatible S/PDIF output
0x088	GPIO1–8 only	ASRC1 IN1 lock	Indicates ASRC1 IN1 Lock status (ASRC IN1 paths convert from the SYSCLK domain to the ASYNCCLK domain.) 0 = Not locked 1 = Locked
0x089	GPIO1–8 only	ASRC1 IN2 lock	Indicates ASRC1 IN2 Lock status (ASRC IN2 paths convert from the ASYNCCLK domain to the SYSCLK domain.) 0 = Not locked 1 = Locked
0x08A	GPIO1–8 only	ASRC2 IN1 lock	Indicates ASRC2 IN1 Lock status (ASRC IN1 paths convert from the SYSCLK domain to the ASYNCCLK domain.) 0 = Not locked 1 = Locked
0x08B	GPIO1–8 only	ASRC2 IN2 lock	Indicates ASRC2 IN2Lock status (ASRC IN2 paths convert from the ASYNCCLK domain to the SYSCLK domain.) 0 = Not locked 1 = Locked
0x140	All GPIOs (1–38)	Timer 1 status	Timer n Status A pulse is output after the respective timer reaches its final count value.
0x141	All GPIOs (1–38)	Timer 2 status	
0x142	All GPIOs (1–38)	Timer 3 status	
0x143	All GPIOs (1–38)	Timer 4 status	
0x144	All GPIOs (1–38)	Timer 5 status	
0x145	All GPIOs (1–38)	Timer 6 status	
0x146	All GPIOs (1–38)	Timer 7 status	
0x147	All GPIOs (1–38)	Timer 8 status	
0x150	GPIO1–8 only	Event Log 1 FIFO not-empty status	Event Log n FIFO Not-Empty status 0 = FIFO Empty 1 = FIFO Not Empty
0x151	GPIO1–8 only	Event Log 2 FIFO not-empty status	
0x152	GPIO1–8 only	Event Log 3 FIFO not-empty status	
0x153	GPIO1–8 only	Event Log 4 FIFO not-empty status	
0x154	GPIO1–8 only	Event Log 5 FIFO not-empty status	
0x155	GPIO1–8 only	Event Log 6 FIFO not-empty status	
0x156	GPIO1–8 only	Event Log 7 FIFO not-empty status	
0x157	GPIO1–8 only	Event Log 8 FIFO not-empty status	

4.15.3 Pin-Specific Alternate Function—GPn_FN = 0x000

The CS47L90 provides eight dedicated GPIO pins (1–8). The remaining 30 GPIOs are multiplexed with the pin-specific functions listed in [Table 4-101](#). The alternate functions are selected by setting the respective GPn_FN fields to 0x000, as described in [Section 4.15.1](#). Note that each function is unique to the associated pin and can be supported only on that pin.

If the alternate function is selected on a GPIO pin, the pin direction (input or output) and the output driver configuration (CMOS or open drain) are set automatically as described in [Table 4-101](#). The respective GP_n_DIR and $GP_n_OP_CFG$ bits have no effect in this case.

Table 4-101. GPIO Alternate Functions

Name	Condition	Description	Direction	Output Driver Configuration
AIF1BCLK/GPIO16	$GP16_FN = 0x000$	Audio Interface 1 bit clock	Digital I/O	CMOS
AIF1LRCLK/GPIO18	$GP18_FN = 0x000$	Audio Interface 1 left/right clock	Digital I/O	CMOS
AIF1RXDAT/GPIO17	$GP17_FN = 0x000$	Audio Interface 1 RX digital audio data	Digital input	—
AIF1TXDAT/GPIO15	$GP15_FN = 0x000$	Audio Interface 1 TX digital audio data	Digital output	CMOS
AIF2BCLK/GPIO20	$GP20_FN = 0x000$	Audio Interface 2 bit clock	Digital I/O	CMOS
AIF2LRCLK/GPIO22	$GP22_FN = 0x000$	Audio Interface 2 left/right clock	Digital I/O	CMOS
AIF2RXDAT/GPIO21	$GP21_FN = 0x000$	Audio Interface 2 RX digital audio data	Digital input	—
AIF2TXDAT/GPIO19	$GP19_FN = 0x000$	Audio Interface 2 TX digital audio data	Digital output	CMOS
AIF3BCLK/GPIO24	$GP24_FN = 0x000$	Audio Interface 3 bit clock	Digital I/O	CMOS
AIF3LRCLK/GPIO26	$GP26_FN = 0x000$	Audio Interface 3 left/right clock	Digital I/O	CMOS
AIF3RXDAT/GPIO25	$GP25_FN = 0x000$	Audio Interface 3 RX digital audio data	Digital input	—
AIF3TXDAT/GPIO23	$GP23_FN = 0x000$	Audio Interface 3 TX digital audio data	Digital output	CMOS
AIF4BCLK/GPIO28	$GP28_FN = 0x000$	Audio Interface 4 bit clock	Digital output	CMOS
AIF4LRCLK/GPIO30	$GP30_FN = 0x000$	Audio Interface 4 left/right clock	Digital I/O	CMOS
AIF4RXDAT/GPIO29	$GP29_FN = 0x000$	Audio Interface 4 RX digital audio data	Digital output	CMOS
AIF4TXDAT/GPIO27	$GP27_FN = 0x000$	Audio Interface 4 TX digital audio data	Digital output	CMOS
DMICCLK3/GPIO35	$GP35_FN = 0x000$	Digital MIC clock 3	Digital output	CMOS
DMICCLK4/GPIO31	$GP31_FN = 0x000$	Digital MIC clock 4	Digital output	CMOS
DMICCLK5/GPIO33	$GP33_FN = 0x000$	Digital MIC clock 5	Digital output	CMOS
DMICDAT3/GPIO36	$GP36_FN = 0x000$	Digital MIC data 3	Digital input	—
DMICDAT4/GPIO32	$GP32_FN = 0x000$	Digital MIC data 4	Digital input	—
DMICDAT5/GPIO34	$GP34_FN = 0x000$	Digital MIC data 5	Digital input	—
MIF1SCLK/GPIO9	$GP9_FN = 0x000$	Master (I ² C) Interface 1 clock	Digital output	Open drain
MIF1SDA/GPIO10	$GP10_FN = 0x000$	Master (I ² C) Interface 1 data	Digital I/O	Open drain
MIF2SCLK/GPIO11	$GP11_FN = 0x000$	Master (I ² C) Interface 2 clock	Digital output	Open drain
MIF2SDA/GPIO12	$GP12_FN = 0x000$	Master (I ² C) Interface 2 data	Digital I/O	Open drain
MIF3SCLK/GPIO13	$GP13_FN = 0x000$	Master (I ² C) Interface 3 clock	Digital output	Open drain
MIF3SDA/GPIO14	$GP14_FN = 0x000$	Master (I ² C) Interface 3 data	Digital I/O	Open drain
SPKCLK/GPIO37	$GP37_FN = 0x000$	Digital speaker (PDM) clock	Digital output	CMOS
SPKDAT/GPIO38	$GP38_FN = 0x000$	Digital speaker (PDM) data	Digital output	CMOS

4.15.4 Button Detect (GPIO Input)— $GP_n_FN = 0x001$

Button-detect functionality can be selected on a GPIO pin by setting the respective GPIO fields as described in [Section 4.15.1](#). The same functionality can be used to support a jack-detect input function.

It is recommended to enable the GPIO input debounce feature when using GPIOs as button input or jack-detect input.

The GP_n_LVL fields may be read to determine the logic levels on a GPIO input, after the selectable debounce controls. Note that GP_n_LVL is not affected by the GP_n_POL bit.

The debounced GPIO signals are also inputs to the interrupt-control circuit. An interrupt event is triggered on the rising and falling edges of the GPIO input. The associated interrupt bits are latched once set; they can be polled at any time or used to control the \overline{IRQ} signal. See [Section 4.16](#) for details of the interrupt event handling.

4.15.5 Logic 1 and Logic 0 Output (GPIO Output)— $GP_n_FN = 0x001$

The CS47L90 can be programmed to drive a logic high or logic low level on a GPIO pin by selecting the GPIO Output function as described in [Section 4.15.1](#).

The output logic level is selected using the respective GP_n_LVL bit. Note that, if a GPIO pin is configured as an output, the respective GP_n_LVL bits are write-only.

The polarity of the GPIO output can be inverted using the GPn_POL bits. If $GPn_POL = 1$, the external output is the opposite logic level to GPn_LVL .

4.15.6 DSP GPIO (Low-Latency DSP Input/Output)— $GPn_FN = 0x002$

The DSP GPIO function provides an advanced I/O capability, supporting the requirements of the CS47L90 as a multi-purpose sensor hub. The DSP GPIO pins are accessed using maskable sets of I/O control registers; this allows the selected combinations of GPIOs to be controlled with ease, regardless of how the allocation of GPIO pins has been implemented in hardware.

The DSP GPIO function is selected by setting the respective GPIO fields as described in [Section 4.15.1](#).

A full description of the DSP GPIO function is provided in [Section 4.5.4](#).

Note that, if GPn_FN is set to $0x002$, the respective pin direction (input or output) is set according to the DSP GPIO configuration for that pin—the GPn_DIR control bit has no effect in this case.

4.15.7 Interrupt (IRQ) Status Output— $GPn_FN = 0x003, 0x004$

The CS47L90 has an interrupt controller, which can be used to indicate when any selected interrupt events occur. Individual interrupts may be masked in order to configure the interrupt as required. See [Section 4.16](#) for a full definition of all supported interrupt events.

The interrupt controller supports two separate interrupt request (IRQ) outputs. The IRQ1 or IRQ2 status may be output directly on a GPIO pin by setting the respective GPIO fields as described in [Section 4.15.1](#).

Note that the IRQ1 status is output on the \overline{IRQ} pin at all times.

4.15.8 Frequency-Locked Loop (FLL) Clock Output— $GPn_FN = 0x010, 0x011, 0x013$

Clock outputs derived from the FLLs may be output on a GPIO pin. The GPIO output from each $FLLn$ (FLL1, FLL2, or FLL_AO) is controlled by the respective $FLLn_GPCLK_DIV$ and $FLLn_GPCLK_ENA$ fields, as described in [Table 4-102](#).

It is recommended to disable the clock output ($FLLn_GPCLK_ENA = 0$) before making any change to the respective $FLLn_GPCLK_DIV$ field.

Note that $FLLn_GPCLK_DIV$ and $FLLn_GPCLK_ENA$ affect the GPIO outputs only; they do not affect the FLL frequency. The maximum output frequency supported for GPIO output is noted in [Table 3-10](#).

The FLL clock outputs may be output directly on a GPIO pin by setting the respective GPIO fields as described in [Section 4.15.1](#).

See [Section 4.17](#) for details of the CS47L90 system clocking and how to configure the FLLs.

Table 4-102. FLL Clock Output Control

Register Address	Bit	Label	Default	Description
R394 (0x018A) FLL1_GPIO_Clock	7:1	FLL1_GPCLK_DIV[6:0]	0x02	FLL1 GPIO Clock Divider 0x00 = Reserved 0x01 = Reserved 0x02 = Divide by 2 0x03 = Divide by 3 0x04 = Divide by 4 ... 0x7F = Divide by 127 (F _{GPIO} = F _{VCO} /FLL1_GPCLK_DIV)
	0	FLL1_GPCLK_ENA	0	FLL1 GPIO Clock Enable 0 = Disabled 1 = Enabled
R426 (0x01AA) FLL2_GPIO_Clock	7:1	FLL2_GPCLK_DIV[6:0]	0x02	FLL2 GPIO Clock Divider 0x00 = Reserved 0x01 = Reserved 0x02 = Divide by 2 0x03 = Divide by 3 0x04 = Divide by 4 ... 0x7F = Divide by 127 (F _{GPIO} = F _{VCO} /FLL2_GPCLK_DIV)
	0	FLL2_GPCLK_ENA	0	FLL2 GPIO Clock Enable 0 = Disabled 1 = Enabled
R490 (0x01EA) FLL_AO_GPIO_Clock	7:1	FLL_AO_GPCLK_DIV[6:0]	0x01	FLL_AO GPIO Clock Divider 0x00 = Divide by 1 0x01 = Divide by 1 0x02 = Divide by 2 0x03 = Divide by 3 0x04 = Divide by 4 ... 0x7F = Divide by 127 (F _{GPIO} = F _{VCO} /FLL_AO_GPCLK_DIV)
	0	FLL_AO_GPCLK_ENA	0	FLL_AO GPIO Clock Enable 0 = Disabled 1 = Enabled

4.15.9 Frequency-Locked Loop (FLL) Status Output—GP_n_FN = 0x018, 0x019, 0x01B

The CS47L90 provides FLL status flags, which may be used to control other events. The FLL lock signals indicate whether FLL lock has been achieved. See [Section 4.17.8](#) and [Section 4.17.9](#) for details of the FLLs.

The FLL lock signals may be output directly on a GPIO pin by setting the respective GPIO fields as described in [Section 4.15.1](#).

The FLL lock signals are inputs to the interrupt controller circuit. An interrupt event is triggered on the rising edge of these signals. The associated interrupt bits are latched once set; they can be polled at any time or used to control the IRQ signal. See [Section 4.16](#) for details of the interrupt event handling.

4.15.10 OPCLK and OPCLK_ASYNC Clock Output—GP_n_FN = 0x040, 0x041

A clock output (OPCLK) derived from SYSCLK can be output on a GPIO pin. The OPCLK frequency is controlled by OPCLK_DIV and OPCLK_SEL. The OPCLK output is enabled by setting OPCLK_ENA, as described in [Table 4-103](#).

A clock output (OPCLK_ASYNC) derived from ASYNCLK can be output on a GPIO pin. The OPCLK_ASYNC frequency is controlled by OPCLK_ASYNC_DIV and OPCLK_ASYNC_SEL. The OPCLK_ASYNC output is enabled by setting OPCLK_ASYNC_ENA.

It is recommended to disable the clock output (OPCLK_ENA = 0 or OPCLK_ASYNC_ENA = 0) before making any change to the respective OPCLK_DIV, OPCLK_SEL, OPCLK_ASYNC_DIV, or OPCLK_ASYNC_SEL fields.

The OPCLK or OPCLK_ASYNC clock can be output directly on a GPIO pin by setting the respective GPIO fields as described in [Section 4.15.1](#).

Note that the OPCLK source frequency cannot be higher than the SYSCLK frequency. The OPCLK_ASYNC source frequency cannot be higher than the ASYNCCLK frequency. The maximum output frequency supported for GPIO output is noted in [Table 3-10](#).

See [Section 4.17](#) for details of the system clocks (SYSCLK and ASYNCCLK).

Table 4-103. OPCLK Control

Register Address	Bit	Label	Default	Description
R329 (0x0149) Output_system_clock	15	OPCLK_ENA	0	OPCLK Enable 0 = Disabled 1 = Enabled
	7:3	OPCLK_DIV[4:0]	0x00	OPCLK Divider 0x02 = Divide by 2 0x04 = Divide by 4 0x06 = Divide by 6 ... (even numbers only) 0x1E = Divide by 30 Note that only even numbered divisions (2, 4, 6, etc.) are valid selections. All other codes are reserved when the OPCLK signal is enabled.
	2:0	OPCLK_SEL[2:0]	000	OPCLK Source Frequency 000 = 6.144 MHz (5.6448 MHz) 001 = 12.288 MHz (11.2896 MHz) 010 = 24.576 MHz (22.5792 MHz) 011 = 49.152 MHz (45.1584 MHz) All other codes are reserved The frequencies in brackets apply for 44.1 kHz–related SYSCLK rates only (i.e., SAMPLE_RATE_n = 01XXX). The OPCLK Source Frequency must be less than or equal to the SYSCLK frequency.
R330 (0x014A) Output_async_lock	15	OPCLK_ASYNC_ENA	0	OPCLK_ASYNC Enable 0 = Disabled 1 = Enabled
	7:3	OPCLK_ASYNC_DIV[4:0]	0x00	OPCLK_ASYNC Divider 0x02 = Divide by 2 0x04 = Divide by 4 0x06 = Divide by 6 ... (even numbers only) 0x1E = Divide by 30 Note that only even numbered divisions (2, 4, 6, etc.) are valid selections. All other codes are reserved when the OPCLK_ASYNC signal is enabled.
	2:0	OPCLK_ASYNC_SEL[2:0]	000	OPCLK_ASYNC Source Frequency 000 = 6.144 MHz (5.6448 MHz) 001 = 12.288 MHz (11.2896 MHz) 010 = 24.576 MHz (22.5792 MHz) 011 = 49.152 MHz (45.1584 MHz) All other codes are reserved The frequencies in brackets apply for 44.1 kHz–related ASYNCCLK rates only (i.e., ASYNC_SAMPLE_RATE_n = 01XXX). The OPCLK_ASYNC Source Frequency must be less than or equal to the ASYNCCLK frequency.

4.15.11 Pulse-Width Modulation (PWM) Signal Output—GPn_FN = 0x048, 0x049

The CS47L90 incorporates two PWM signal generators, which can be enabled as GPIO outputs. The duty cycle of each PWM signal can be modulated by an audio source, or can be set to a fixed value using a control register setting.

The PWM outputs may be output directly on a GPIO pin by setting the respective GPIO fields as described in [Section 4.15.1](#).

See [Section 4.3.12](#) for details of how to configure the PWM signal generators.

4.15.12 S/PDIF Audio Output—GP_n_FN = 0x04C

The CS47L90 incorporates an IEC-60958-3-compatible S/PDIF transmitter, which can be selected as a GPIO output. The S/PDIF transmitter supports stereo audio channels and allows full control over the S/PDIF validity bits and channel status information.

The S/PDIF signal may be output directly on a GPIO pin by setting the respective GPIO fields as described in [Section 4.15.1](#).

See [Section 4.3.8](#) for details of how to configure the S/PDIF output generator.

4.15.13 ASRC Lock Status Output—GP_n_FN = 0x088, 0x089, 0x08A, 0x08B

The CS47L90 provides ASRC status flags, which may be used to control other events. The ASRC-lock signals indicate whether ASRC lock has been achieved. See [Section 4.3.15](#) for details of the ASRCs.

The ASRC lock signals may be output directly on a GPIO pin by setting the respective GPIO fields as described in [Section 4.15.1](#).

The ASRC lock signals are inputs to the interrupt control circuit. An interrupt event is triggered on the rising and falling edges of the ASRC lock signals. The associated interrupt bits are latched once set; they can be polled at any time or used to control the $\overline{\text{IRQ}}$ signal. See [Section 4.16](#) for details of the interrupt event handling.

4.15.14 General-Purpose Timer Status Output—GP_n_FN = 0x140–0x147

The general-purpose timers can count up or down, and support continuous or single count modes. Status outputs indicating the progress of these timers are provided. See [Section 4.5.3](#) for details of the general-purpose timers.

A logic signal from the general-purpose timers may be output directly on a GPIO pin by setting the respective GPIO fields as described in [Section 4.15.1](#). This logic signal is pulsed high whenever the respective timer reaches its final count value.

The general-purpose timers also provide inputs to the interrupt control circuit. An interrupt event is triggered whenever the respective timer reaches its final count value. The associated interrupt bits are latched once set; they can be polled at any time or used to control the $\overline{\text{IRQ}}$ signal. See [Section 4.16](#) for details of the interrupt event handling.

4.15.15 Event Logger FIFO Buffer Status Output—GP_n_FN = 0x150–0x157

The event loggers are each provided with a 16-stage FIFO buffer, in which any detected events (signal transitions) are recorded. Status outputs for each FIFO buffer are provided. See [Section 4.5.2](#) for details of the event loggers.

A logic signal from the event loggers may be output directly on a GPIO pin by setting the respective GPIO fields as described in [Section 4.15.1](#). This logic signal is set high whenever the FIFO not-empty condition is true.

The event loggers also provide inputs to the interrupt control circuit. An interrupt event is triggered whenever the respective FIFO condition occurs. The associated interrupt bits are latched once set; they can be polled at any time or used to control the $\overline{\text{IRQ}}$ signal. See [Section 4.16](#) for details of the interrupt event handling.

4.15.16 General-Purpose Switch

The CS47L90 provides two general-purpose switches, which can be used as controllable analog switches for external functions. The switches support bidirectional analog operation, offering flexibility in the potential circuit applications. Refer to [Table 3-2](#) and [Table 3-10](#) for further details. Note that this feature is entirely independent of the GPIO_n pins.

- The GP1 switch is implemented between the GPSW1P and GPSW1N pins; it is configured using SW1_MODE.
- The GP2 switch is implemented between the GPSW2P and GPSW2N pins; it is configured using SW2_MODE.

The SW_n_MODE fields allow the switches to be disabled, enabled, or synchronized to the MICDET clamp status, as described in [Table 4-104](#).

The switches can be used in conjunction with the MICDET clamp function to suppress pops and clicks associated with jack insertion and removal. An example circuit is shown in [Fig. 4-58](#) within [Section 4.13.2](#). Note that the MICDET clamp function must also be configured appropriately when using this method of pop suppression.

Table 4-104. General-Purpose Switch Control

Register Address	Bit	Label	Default	Description
R712 (0x02C8) GP_Switch_1	3:2	SW2_MODE[1:0]	00	General-purpose Switch 2 control 00 = Disabled (open) 01 = Enabled (closed) 10 = Enabled when MICDET clamp is active 11 = Enabled when MICDET clamp is not active
	1:0	SW1_MODE[1:0]	00	General-purpose Switch 1 control 00 = Disabled (open) 01 = Enabled (closed) 10 = Enabled when MICDET clamp is active 11 = Enabled when MICDET clamp is not active

4.16 Interrupts

The interrupt controller has multiple inputs. These include the jack detect and GPIO input pins, DSP_IRQ_n flags, headphone/accessory detection, FLL/ASRC lock detection, and status flags from DSP peripheral functions. See [Table 4-105](#) and [Table 4-106](#) for a full definition of the interrupt controller inputs. Any combination of these inputs can be used to trigger an interrupt request event.

The interrupt controller supports two sets of interrupt registers. This allows two separate interrupt request (IRQ) outputs to be generated, and for each IRQ to report a different set of input or status conditions.

For each interrupt request (IRQ1 and IRQ2) output, there is an interrupt register field associated with each interrupt input. These fields are asserted whenever a logic edge is detected on the respective input. Some inputs are triggered on rising edges only; some are triggered on both edges. Separate rising and falling interrupt bits are provided for the JD1 and JD2 signals. The interrupt register fields for IRQ1 are described in [Table 4-105](#). The interrupt register fields for IRQ2 are described in [Table 4-106](#). The interrupt flags can be polled at any time or in response to the interrupt request output being signaled via the IRQ pin or a GPIO pin.

All interrupts are edge triggered, as noted above. Many are triggered on both the rising and falling edges and, therefore, the interrupt bits cannot indicate which edge has been detected. The raw status fields described in [Table 4-105](#) and [Table 4-106](#) indicate the current value of the corresponding inputs to the interrupt controller. Note that the raw status bits associated with IRQ1 and IRQ2 provide the same information. The status of any GPIO (or DSP GPIO) inputs can also be read using the GPIO (or DSP GPIO) control fields, as described in [Table 4-99](#) and [Table 4-41](#).

Individual mask bits can enable or disable different functions from the interrupt controller. The mask bits are described in [Table 4-105](#) (for IRQ1) and [Table 4-106](#) (for IRQ2). Note that a masked interrupt input does not assert the corresponding interrupt register field and does not cause the associated interrupt request output to be asserted.

The interrupt request outputs represent the logical OR of the associated interrupt registers. IRQ1 is derived from the x_EINT1 registers; IRQ2 is derived from the x_EINT2 registers. The interrupt register fields are latching fields and, once they are set, they are not reset until a 1 is written to the respective bits. The interrupt request outputs are not reset until each of the associated interrupts has been reset.

A debounce circuit can be enabled on any GPIO input, to avoid false event triggers. This is enabled on each pin using the fields described in [Table 4-99](#). The GPIO debounce circuit uses the 32-kHz clock, which must be enabled whenever the GPIO debounce function is required.

The IRQ outputs can be globally masked using the IM_IRQ1 and IM_IRQ2 bits. When not masked, the IRQ status can be read from IRQ1_STS and IRQ2_STS for the respective IRQ outputs.

The IRQ1 output is provided externally on the $\overline{\text{IRQ}}$ pin. Under default conditions, this output is active low. The polarity can be inverted using `IRQ_POL`. The $\overline{\text{IRQ}}$ output can be either CMOS driven or open drain; this is selected using the `IRQ_OP_CFG` bit. The $\overline{\text{IRQ}}$ output is referenced to the `DBVDD1` power domain.

The IRQ2 status can be used to trigger DSP firmware execution; see [Section 4.4](#). This allows the DSP firmware execution to be linked to external events (e.g., jack detection, or GPIO input), or to any of the status conditions flagged by the interrupt registers.

The IRQ1 and IRQ2 signals may be output on a GPIO pin; see [Section 4.15](#).

The CS47L90 interrupt controller circuit is shown in [Fig. 4-62](#). (Note that not all interrupt inputs are shown.) The control fields associated with IRQ1 and IRQ2 are described in [Table 4-105](#) and [Table 4-106](#) respectively. The global interrupt mask bits, status bits, and output configuration fields are described [Table 4-107](#).

Note that, under default register conditions, the boot done status is the only unmasked interrupt source; a falling edge on the $\overline{\text{IRQ}}$ pin indicates completion of the boot sequence.

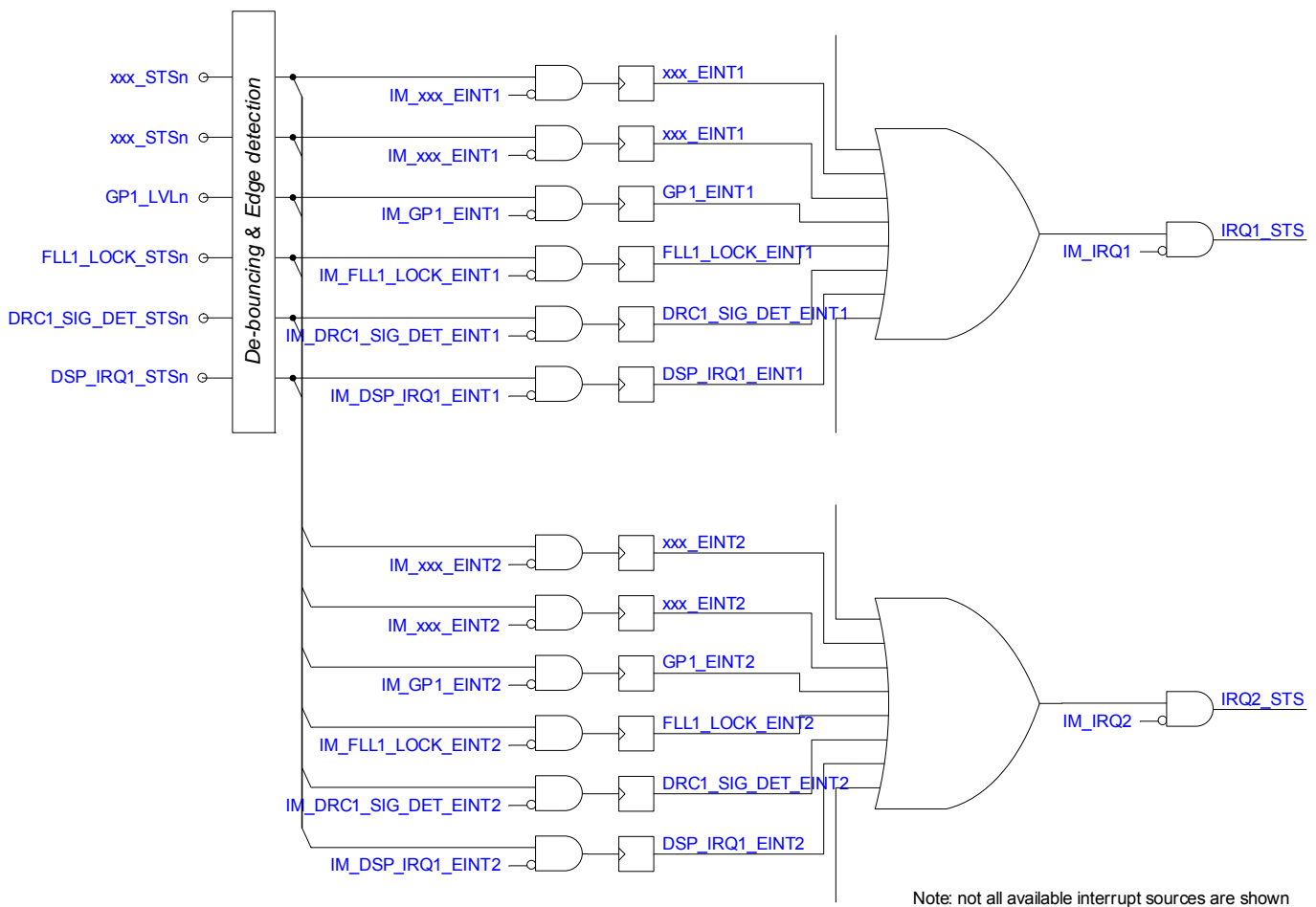


Figure 4-62. Interrupt Controller

The IRQ1 interrupt, mask, and status control registers are described in [Table 4-105](#).

Table 4-105. Interrupt 1 Control Registers

Register Address	Bit	Label	Default	Description
R6144 (0x1800) IRQ1_Status_1	15	DSP_SHARED_WR_COLL_EINT1	0	DSP Shared Memory Collision Interrupt (Rising edge triggered) Note: Cleared when a 1 is written.
	12	CTRLIF_ERR_EINT1	0	Control Interface Error Interrupt (Rising edge triggered) Note: Cleared when a 1 is written.
	9	SYSCLK_FAIL_EINT1	0	SYSCLK Fail Interrupt (Rising edge triggered) Note: Cleared when a 1 is written.
	7	BOOT_DONE_EINT1	0	Boot Done Interrupt (Rising edge triggered) Note: Cleared when a 1 is written.
R6145 (0x1801) IRQ1_Status_2	15	FLL_AO_REF_LOST_EINT1	0	FLL_AO Reference Lost Interrupt (Rising edge triggered) Note: Cleared when a 1 is written.
	14	DSPCLK_ERR_EINT1	0	DSPCLK Error Interrupt (Rising edge triggered) Note: Cleared when a 1 is written.
	13	ASYNCCLK_ERR_EINT1	0	ASYNCCLK Error Interrupt (Rising edge triggered) Note: Cleared when a 1 is written.
	12	SYSCLK_ERR_EINT1	0	SYSCLK Error Interrupt (Rising edge triggered) Note: Cleared when a 1 is written.
	11	FLL_AO_LOCK_EINT1	0	FLL_AO Lock Interrupt (Rising edge triggered) Note: Cleared when a 1 is written.
	9	FLL2_LOCK_EINT1	0	FLL2 Lock Interrupt (Rising edge triggered) Note: Cleared when a 1 is written.
	8	FLL1_LOCK_EINT1	0	FLL1 Lock Interrupt (Rising edge triggered) Note: Cleared when a 1 is written.
R6149 (0x1805) IRQ1_Status_6	9	MICDET2_EINT1	0	Mic/Accessory Detect 2 Interrupt (Detection event triggered) Note: Cleared when a 1 is written.
	8	MICDET1_EINT1	0	Mic/Accessory Detect 1 Interrupt (Detection event triggered) Note: Cleared when a 1 is written.
	0	HPDET_EINT1	0	Headphone Detect Interrupt (Rising edge triggered) Note: Cleared when a 1 is written.
R6150 (0x1806) IRQ1_Status_7	5	MICD_CLAMP_FALL_EINT1	0	MICDET Clamp Interrupt (Falling edge triggered) Note: Cleared when a 1 is written.
	4	MICD_CLAMP_RISE_EINT1	0	MICDET Clamp Interrupt (Rising edge triggered) Note: Cleared when a 1 is written.
	3	JD2_FALL_EINT1	0	JD2 Interrupt (Falling edge triggered) Note: Cleared when a 1 is written.
	2	JD2_RISE_EINT1	0	JD2 Interrupt (Rising edge triggered) Note: Cleared when a 1 is written.
	1	JD1_FALL_EINT1	0	JD1 Interrupt (Falling edge triggered) Note: Cleared when a 1 is written.
	0	JD1_RISE_EINT1	0	JD1 Interrupt (Rising edge triggered) Note: Cleared when a 1 is written.

Table 4-105. Interrupt 1 Control Registers (Cont.)

Register Address	Bit	Label	Default	Description
R6152 (0x1808) IRQ1_Status_9	11	ASRC2_IN2_LOCK_EINT1	0	ASRC2 IN2 Lock Interrupt (Rising and falling edge triggered) Note: Cleared when a 1 is written.
	10	ASRC2_IN1_LOCK_EINT1	0	ASRC2 IN1 Lock Interrupt (Rising and falling edge triggered) Note: Cleared when a 1 is written.
	9	ASRC1_IN2_LOCK_EINT1	0	ASRC1 IN2 Lock Interrupt (Rising and falling edge triggered) Note: Cleared when a 1 is written.
	8	ASRC1_IN1_LOCK_EINT1	0	ASRC1 IN1 Lock Interrupt (Rising and falling edge triggered) Note: Cleared when a 1 is written.
	2	INPUTS_SIG_DET_EINT1	0	Input Path Signal-Detect Interrupt (Rising and falling edge triggered) Note: Cleared when a 1 is written.
	1	DRC2_SIG_DET_EINT1	0	DRC2 Signal-Detect Interrupt (Rising and falling edge triggered) Note: Cleared when a 1 is written.
	0	DRC1_SIG_DET_EINT1	0	DRC1 Signal-Detect Interrupt (Rising and falling edge triggered) Note: Cleared when a 1 is written.
R6154 (0x180A) IRQ1_Status_11	15	DSP_IRQ16_EINT1	0	DSP IRQ16 Interrupt (Rising edge triggered) Note: Cleared when a 1 is written.
	14	DSP_IRQ15_EINT1	0	DSP IRQ15 Interrupt (Rising edge triggered) Note: Cleared when a 1 is written.
	13	DSP_IRQ14_EINT1	0	DSP IRQ14 Interrupt (Rising edge triggered) Note: Cleared when a 1 is written.
	12	DSP_IRQ13_EINT1	0	DSP IRQ13 Interrupt (Rising edge triggered) Note: Cleared when a 1 is written.
	11	DSP_IRQ12_EINT1	0	DSP IRQ12 Interrupt (Rising edge triggered) Note: Cleared when a 1 is written.
	10	DSP_IRQ11_EINT1	0	DSP IRQ11 Interrupt (Rising edge triggered) Note: Cleared when a 1 is written.
	9	DSP_IRQ10_EINT1	0	DSP IRQ10 Interrupt (Rising edge triggered) Note: Cleared when a 1 is written.
	8	DSP_IRQ9_EINT1	0	DSP IRQ9 Interrupt (Rising edge triggered) Note: Cleared when a 1 is written.
	7	DSP_IRQ8_EINT1	0	DSP IRQ8 Interrupt (Rising edge triggered) Note: Cleared when a 1 is written.
	6	DSP_IRQ7_EINT1	0	DSP IRQ7 Interrupt (Rising edge triggered) Note: Cleared when a 1 is written.
	5	DSP_IRQ6_EINT1	0	DSP IRQ6 Interrupt (Rising edge triggered) Note: Cleared when a 1 is written.
	4	DSP_IRQ5_EINT1	0	DSP IRQ5 Interrupt (Rising edge triggered) Note: Cleared when a 1 is written.
	3	DSP_IRQ4_EINT1	0	DSP IRQ4 Interrupt (Rising edge triggered) Note: Cleared when a 1 is written.
	2	DSP_IRQ3_EINT1	0	DSP IRQ3 Interrupt (Rising edge triggered) Note: Cleared when a 1 is written.
	1	DSP_IRQ2_EINT1	0	DSP IRQ2 Interrupt (Rising edge triggered) Note: Cleared when a 1 is written.
0	DSP_IRQ1_EINT1	0	DSP IRQ1 Interrupt (Rising edge triggered) Note: Cleared when a 1 is written.	

Table 4-105. Interrupt 1 Control Registers (Cont.)

Register Address	Bit	Label	Default	Description
R6155 (0x180B) IRQ1_Status_12	5	HP3R_SC_EINT1	0	HPOUT3R Short Circuit Interrupt (Rising edge triggered) Note: Cleared when a 1 is written.
	4	HP3L_SC_EINT1	0	HPOUT3L Short Circuit Interrupt (Rising edge triggered) Note: Cleared when a 1 is written.
	3	HP2R_SC_EINT1	0	HPOUT2R Short Circuit Interrupt (Rising edge triggered) Note: Cleared when a 1 is written.
	2	HP2L_SC_EINT1	0	HPOUT2L Short Circuit Interrupt (Rising edge triggered) Note: Cleared when a 1 is written.
	1	HP1R_SC_EINT1	0	HPOUT1R Short Circuit Interrupt (Rising edge triggered) Note: Cleared when a 1 is written.
	0	HP1L_SC_EINT1	0	HPOUT1L Short Circuit Interrupt (Rising edge triggered) Note: Cleared when a 1 is written.
R6156 (0x180C) IRQ1_Status_13	5	HP3R_ENABLE_DONE_EINT1	0	HPOUT3R Enable Interrupt (Rising edge triggered) Note: Cleared when a 1 is written.
	4	HP3L_ENABLE_DONE_EINT1	0	HPOUT3L Enable Interrupt (Rising edge triggered) Note: Cleared when a 1 is written.
	3	HP2R_ENABLE_DONE_EINT1	0	HPOUT2R Enable Interrupt (Rising edge triggered) Note: Cleared when a 1 is written.
	2	HP2L_ENABLE_DONE_EINT1	0	HPOUT2L Enable Interrupt (Rising edge triggered) Note: Cleared when a 1 is written.
	1	HP1R_ENABLE_DONE_EINT1	0	HPOUT1R Enable Interrupt (Rising edge triggered) Note: Cleared when a 1 is written.
	0	HP1L_ENABLE_DONE_EINT1	0	HPOUT1L Enable Interrupt (Rising edge triggered) Note: Cleared when a 1 is written.
R6157 (0x180D) IRQ1_Status_14	5	HP3R_DISABLE_DONE_EINT1	0	HPOUT3R Disable Interrupt (Rising edge triggered) Note: Cleared when a 1 is written.
	4	HP3L_DISABLE_DONE_EINT1	0	HPOUT3L Disable Interrupt (Rising edge triggered) Note: Cleared when a 1 is written.
	3	HP2R_DISABLE_DONE_EINT1	0	HPOUT2R Disable Interrupt (Rising edge triggered) Note: Cleared when a 1 is written.
	2	HP2L_DISABLE_DONE_EINT1	0	HPOUT2L Disable Interrupt (Rising edge triggered) Note: Cleared when a 1 is written.
	1	HP1R_DISABLE_DONE_EINT1	0	HPOUT1R Disable Interrupt (Rising edge triggered) Note: Cleared when a 1 is written.
	0	HP1L_DISABLE_DONE_EINT1	0	HPOUT1L Disable Interrupt (Rising edge triggered) Note: Cleared when a 1 is written.

Table 4-105. Interrupt 1 Control Registers (Cont.)

Register Address	Bit	Label	Default	Description
R6160 (0x1810) IRQ1_Status_17	15	GP16_EINT1	0	GPIO16 Interrupt (Rising and falling edge triggered) Note: Cleared when a 1 is written.
	14	GP15_EINT1	0	GPIO15 Interrupt (Rising and falling edge triggered) Note: Cleared when a 1 is written.
	13	GP14_EINT1	0	GPIO14 Interrupt (Rising and falling edge triggered) Note: Cleared when a 1 is written.
	12	GP13_EINT1	0	GPIO13 Interrupt (Rising and falling edge triggered) Note: Cleared when a 1 is written.
	11	GP12_EINT1	0	GPIO12 Interrupt (Rising and falling edge triggered) Note: Cleared when a 1 is written.
	10	GP11_EINT1	0	GPIO11 Interrupt (Rising and falling edge triggered) Note: Cleared when a 1 is written.
	9	GP10_EINT1	0	GPIO10 Interrupt (Rising and falling edge triggered) Note: Cleared when a 1 is written.
	8	GP9_EINT1	0	GPIO9 Interrupt (Rising and falling edge triggered) Note: Cleared when a 1 is written.
	7	GP8_EINT1	0	GPIO8 Interrupt (Rising and falling edge triggered) Note: Cleared when a 1 is written.
	6	GP7_EINT1	0	GPIO7 Interrupt (Rising and falling edge triggered) Note: Cleared when a 1 is written.
	5	GP6_EINT1	0	GPIO6 Interrupt (Rising and falling edge triggered) Note: Cleared when a 1 is written.
	4	GP5_EINT1	0	GPIO5 Interrupt (Rising and falling edge triggered) Note: Cleared when a 1 is written.
	3	GP4_EINT1	0	GPIO4 Interrupt (Rising and falling edge triggered) Note: Cleared when a 1 is written.
	2	GP3_EINT1	0	GPIO3 Interrupt (Rising and falling edge triggered) Note: Cleared when a 1 is written.
	1	GP2_EINT1	0	GPIO2 Interrupt (Rising and falling edge triggered) Note: Cleared when a 1 is written.
	0	GP1_EINT1	0	GPIO1 Interrupt (Rising and falling edge triggered) Note: Cleared when a 1 is written.

Table 4-105. Interrupt 1 Control Registers (Cont.)

Register Address	Bit	Label	Default	Description
R6161 (0x1811) IRQ1_Status_18	15	GP32_EINT1	0	GPIO32 Interrupt (Rising and falling edge triggered) Note: Cleared when a 1 is written.
	14	GP31_EINT1	0	GPIO31 Interrupt (Rising and falling edge triggered) Note: Cleared when a 1 is written.
	13	GP30_EINT1	0	GPIO30 Interrupt (Rising and falling edge triggered) Note: Cleared when a 1 is written.
	12	GP29_EINT1	0	GPIO29 Interrupt (Rising and falling edge triggered) Note: Cleared when a 1 is written.
	11	GP28_EINT1	0	GPIO28 Interrupt (Rising and falling edge triggered) Note: Cleared when a 1 is written.
	10	GP27_EINT1	0	GPIO27 Interrupt (Rising and falling edge triggered) Note: Cleared when a 1 is written.
	9	GP26_EINT1	0	GPIO26 Interrupt (Rising and falling edge triggered) Note: Cleared when a 1 is written.
	8	GP25_EINT1	0	GPIO25 Interrupt (Rising and falling edge triggered) Note: Cleared when a 1 is written.
	7	GP24_EINT1	0	GPIO24 Interrupt (Rising and falling edge triggered) Note: Cleared when a 1 is written.
	6	GP23_EINT1	0	GPIO23 Interrupt (Rising and falling edge triggered) Note: Cleared when a 1 is written.
	5	GP22_EINT1	0	GPIO22 Interrupt (Rising and falling edge triggered) Note: Cleared when a 1 is written.
	4	GP21_EINT1	0	GPIO21 Interrupt (Rising and falling edge triggered) Note: Cleared when a 1 is written.
	3	GP20_EINT1	0	GPIO20 Interrupt (Rising and falling edge triggered) Note: Cleared when a 1 is written.
	2	GP19_EINT1	0	GPIO19 Interrupt (Rising and falling edge triggered) Note: Cleared when a 1 is written.
	1	GP18_EINT1	0	GPIO18 Interrupt (Rising and falling edge triggered) Note: Cleared when a 1 is written.
0	GP17_EINT1	0	GPIO17 Interrupt (Rising and falling edge triggered) Note: Cleared when a 1 is written.	
R6162 (0x1812) IRQ1_Status_19	5	GP38_EINT1	0	GPIO38 Interrupt (Rising and falling edge triggered) Note: Cleared when a 1 is written.
	4	GP37_EINT1	0	GPIO37 Interrupt (Rising and falling edge triggered) Note: Cleared when a 1 is written.
	3	GP36_EINT1	0	GPIO36 Interrupt (Rising and falling edge triggered) Note: Cleared when a 1 is written.
	2	GP35_EINT1	0	GPIO35 Interrupt (Rising and falling edge triggered) Note: Cleared when a 1 is written.
	1	GP34_EINT1	0	GPIO34 Interrupt (Rising and falling edge triggered) Note: Cleared when a 1 is written.
	0	GP33_EINT1	0	GPIO33 Interrupt (Rising and falling edge triggered) Note: Cleared when a 1 is written.

Table 4-105. Interrupt 1 Control Registers (Cont.)

Register Address	Bit	Label	Default	Description
R6164 (0x1814) IRQ1_Status_21	7	TIMER8_EINT1	0	Timer 8 Interrupt (Rising edge triggered) Note: Cleared when a 1 is written.
	6	TIMER7_EINT1	0	Timer 7 Interrupt (Rising edge triggered) Note: Cleared when a 1 is written.
	5	TIMER6_EINT1	0	Timer 6 Interrupt (Rising edge triggered) Note: Cleared when a 1 is written.
	4	TIMER5_EINT1	0	Timer 5 Interrupt (Rising edge triggered) Note: Cleared when a 1 is written.
	3	TIMER4_EINT1	0	Timer 4 Interrupt (Rising edge triggered) Note: Cleared when a 1 is written.
	2	TIMER3_EINT1	0	Timer 3 Interrupt (Rising edge triggered) Note: Cleared when a 1 is written.
	1	TIMER2_EINT1	0	Timer 2 Interrupt (Rising edge triggered) Note: Cleared when a 1 is written.
	0	TIMER1_EINT1	0	Timer 1 Interrupt (Rising edge triggered) Note: Cleared when a 1 is written.
R6165 (0x1815) IRQ1_Status_22	7	EVENT8_NOT_EMPTY_EINT1	0	Event Log 8 FIFO Not Empty Interrupt (Rising edge triggered) Note: Cleared when a 1 is written.
	6	EVENT7_NOT_EMPTY_EINT1	0	Event Log 7 FIFO Not Empty Interrupt (Rising edge triggered) Note: Cleared when a 1 is written.
	5	EVENT6_NOT_EMPTY_EINT1	0	Event Log 6 FIFO Not Empty Interrupt (Rising edge triggered) Note: Cleared when a 1 is written.
	4	EVENT5_NOT_EMPTY_EINT1	0	Event Log 5 FIFO Not Empty Interrupt (Rising edge triggered) Note: Cleared when a 1 is written.
	3	EVENT4_NOT_EMPTY_EINT1	0	Event Log 4 FIFO Not Empty Interrupt (Rising edge triggered) Note: Cleared when a 1 is written.
	2	EVENT3_NOT_EMPTY_EINT1	0	Event Log 3 FIFO Not Empty Interrupt (Rising edge triggered) Note: Cleared when a 1 is written.
	1	EVENT2_NOT_EMPTY_EINT1	0	Event Log 2 FIFO Not Empty Interrupt (Rising edge triggered) Note: Cleared when a 1 is written.
	0	EVENT1_NOT_EMPTY_EINT1	0	Event Log 1 FIFO Not Empty Interrupt (Rising edge triggered) Note: Cleared when a 1 is written.
R6166 (0x1816) IRQ1_Status_23	7	EVENT8_FULL_EINT1	0	Event Log 8 FIFO Full Interrupt (Rising edge triggered) Note: Cleared when a 1 is written.
	6	EVENT7_FULL_EINT1	0	Event Log 7 FIFO Full Interrupt (Rising edge triggered) Note: Cleared when a 1 is written.
	5	EVENT6_FULL_EINT1	0	Event Log 6 FIFO Full Interrupt (Rising edge triggered) Note: Cleared when a 1 is written.
	4	EVENT5_FULL_EINT1	0	Event Log 5 FIFO Full Interrupt (Rising edge triggered) Note: Cleared when a 1 is written.
	3	EVENT4_FULL_EINT1	0	Event Log 4 FIFO Full Interrupt (Rising edge triggered) Note: Cleared when a 1 is written.
	2	EVENT3_FULL_EINT1	0	Event Log 3 FIFO Full Interrupt (Rising edge triggered) Note: Cleared when a 1 is written.
	1	EVENT2_FULL_EINT1	0	Event Log 2 FIFO Full Interrupt (Rising edge triggered) Note: Cleared when a 1 is written.
	0	EVENT1_FULL_EINT1	0	Event Log 1 FIFO Full Interrupt (Rising edge triggered) Note: Cleared when a 1 is written.

Table 4-105. Interrupt 1 Control Registers (Cont.)

Register Address	Bit	Label	Default	Description
R6167 (0x1817) IRQ1_Status_24	7	EVENT8_WMARK_EINT1	0	Event Log 8 FIFO Watermark Interrupt (Rising edge triggered) Note: Cleared when a 1 is written.
	6	EVENT7_WMARK_EINT1	0	Event Log 7 FIFO Watermark Interrupt (Rising edge triggered) Note: Cleared when a 1 is written.
	5	EVENT6_WMARK_EINT1	0	Event Log 6 FIFO Watermark Interrupt (Rising edge triggered) Note: Cleared when a 1 is written.
	4	EVENT5_WMARK_EINT1	0	Event Log 5 FIFO Watermark Interrupt (Rising edge triggered) Note: Cleared when a 1 is written.
	3	EVENT4_WMARK_EINT1	0	Event Log 4 FIFO Watermark Interrupt (Rising edge triggered) Note: Cleared when a 1 is written.
	2	EVENT3_WMARK_EINT1	0	Event Log 3 FIFO Watermark Interrupt (Rising edge triggered) Note: Cleared when a 1 is written.
	1	EVENT2_WMARK_EINT1	0	Event Log 2 FIFO Watermark Interrupt (Rising edge triggered) Note: Cleared when a 1 is written.
	0	EVENT1_WMARK_EINT1	0	Event Log 1 FIFO Watermark Interrupt (Rising edge triggered) Note: Cleared when a 1 is written.
R6168 (0x1818) IRQ1_Status_25	6	DSP7_DMA_EINT1	0	DSP7 DMA Interrupt (Rising edge triggered) Note: Cleared when a 1 is written.
	5	DSP6_DMA_EINT1	00	DSP6 DMA Interrupt (Rising edge triggered) Note: Cleared when a 1 is written.
	4	DSP5_DMA_EINT1	00	DSP5 DMA Interrupt (Rising edge triggered) Note: Cleared when a 1 is written.
	3	DSP4_DMA_EINT1	00	DSP4 DMA Interrupt (Rising edge triggered) Note: Cleared when a 1 is written.
	2	DSP3_DMA_EINT1	00	DSP3 DMA Interrupt (Rising edge triggered) Note: Cleared when a 1 is written.
	1	DSP2_DMA_EINT1	00	DSP2 DMA Interrupt (Rising edge triggered) Note: Cleared when a 1 is written.
	0	DSP1_DMA_EINT1	00	DSP1 DMA Interrupt (Rising edge triggered) Note: Cleared when a 1 is written.
R6170 (0x181A) IRQ1_Status_27	6	DSP7_START1_EINT1	0	DSP7 Start 1 Interrupt (Rising edge triggered) Note: Cleared when a 1 is written.
	5	DSP6_START1_EINT1	0	DSP6 Start 1 Interrupt (Rising edge triggered) Note: Cleared when a 1 is written.
	4	DSP5_START1_EINT1	0	DSP5 Start 1 Interrupt (Rising edge triggered) Note: Cleared when a 1 is written.
	3	DSP4_START1_EINT1	0	DSP4 Start 1 Interrupt (Rising edge triggered) Note: Cleared when a 1 is written.
	2	DSP3_START1_EINT1	0	DSP3 Start 1 Interrupt (Rising edge triggered) Note: Cleared when a 1 is written.
	1	DSP2_START1_EINT1	0	DSP2 Start 1 Interrupt (Rising edge triggered) Note: Cleared when a 1 is written.
	0	DSP1_START1_EINT1	0	DSP1 Start 1 Interrupt (Rising edge triggered) Note: Cleared when a 1 is written.

Table 4-105. Interrupt 1 Control Registers (Cont.)

Register Address	Bit	Label	Default	Description
R6171 (0x181B) IRQ1_Status_28	6	DSP7_START2_EINT1	0	DSP7 Start 2 Interrupt (Rising edge triggered) Note: Cleared when a 1 is written.
	5	DSP6_START2_EINT1	0	DSP6 Start 2 Interrupt (Rising edge triggered) Note: Cleared when a 1 is written.
	4	DSP5_START2_EINT1	0	DSP5 Start 2 Interrupt (Rising edge triggered) Note: Cleared when a 1 is written.
	3	DSP4_START2_EINT1	0	DSP4 Start 2 Interrupt (Rising edge triggered) Note: Cleared when a 1 is written.
	2	DSP3_START2_EINT1	0	DSP3 Start 2 Interrupt (Rising edge triggered) Note: Cleared when a 1 is written.
	1	DSP2_START2_EINT1	0	DSP2 Start 2 Interrupt (Rising edge triggered) Note: Cleared when a 1 is written.
	0	DSP1_START2_EINT1	0	DSP1 Start 2 Interrupt (Rising edge triggered) Note: Cleared when a 1 is written.
R6173 (0x181D) IRQ1_Status_30	6	DSP7_BUSY_EINT1	0	DSP7 Busy Interrupt (Rising edge triggered) Note: Cleared when a 1 is written.
	5	DSP6_BUSY_EINT1	0	DSP6 Busy Interrupt (Rising edge triggered) Note: Cleared when a 1 is written.
	4	DSP5_BUSY_EINT1	0	DSP5 Busy Interrupt (Rising edge triggered) Note: Cleared when a 1 is written.
	3	DSP4_BUSY_EINT1	0	DSP4 Busy Interrupt (Rising edge triggered) Note: Cleared when a 1 is written.
	2	DSP3_BUSY_EINT1	0	DSP3 Busy Interrupt (Rising edge triggered) Note: Cleared when a 1 is written.
	1	DSP2_BUSY_EINT1	0	DSP2 Busy Interrupt (Rising edge triggered) Note: Cleared when a 1 is written.
	0	DSP1_BUSY_EINT1	0	DSP1 Busy Interrupt (Rising edge triggered) Note: Cleared when a 1 is written.
R6174 (0x181E) IRQ1_Status_31	2	MIF3_DONE_EINT1	0	MIF3 Done Interrupt (Rising edge triggered) Note: Cleared when a 1 is written.
	1	MIF2_DONE_EINT1	0	MIF2 Done Interrupt (Rising edge triggered) Note: Cleared when a 1 is written.
	0	MIF1_DONE_EINT1	0	MIF1 Done Interrupt (Rising edge triggered) Note: Cleared when a 1 is written.
R6175 (0x181F) IRQ1_Status_32	2	MIF3_BLOCK_EINT1	0	MIF3 Block Interrupt (Rising edge triggered) Note: Cleared when a 1 is written.
	1	MIF2_BLOCK_EINT1	0	MIF2 Block Interrupt (Rising edge triggered) Note: Cleared when a 1 is written.
	0	MIF1_BLOCK_EINT1	0	MIF1 Block Interrupt (Rising edge triggered) Note: Cleared when a 1 is written.
R6176 (0x1820) IRQ1_Status_33	6	DSP7_BUS_ERR_EINT1	0	DSP7 Bus Error Interrupt (Rising edge triggered) Note: Cleared when a 1 is written.
	5	DSP6_BUS_ERR_EINT1	0	DSP6 Bus Error Interrupt (Rising edge triggered) Note: Cleared when a 1 is written.
	4	DSP5_BUS_ERR_EINT1	0	DSP5 Bus Error Interrupt (Rising edge triggered) Note: Cleared when a 1 is written.
	3	DSP4_BUS_ERR_EINT1	0	DSP4 Bus Error Interrupt (Rising edge triggered) Note: Cleared when a 1 is written.
	2	DSP3_BUS_ERR_EINT1	0	DSP3 Bus Error Interrupt (Rising edge triggered) Note: Cleared when a 1 is written.
	1	DSP2_BUS_ERR_EINT1	0	DSP2 Bus Error Interrupt (Rising edge triggered) Note: Cleared when a 1 is written.
	0	DSP1_BUS_ERR_EINT1	0	DSP1 Bus Error Interrupt (Rising edge triggered) Note: Cleared when a 1 is written.

Table 4-105. Interrupt 1 Control Registers (Cont.)

Register Address	Bit	Label	Default	Description
R6208 (0x1840) to R6239 (0x185F)		IM_*	See Footnote 1	For each x_EINT1 interrupt bit in R6144 to R6176, a corresponding mask bit (IM_*) is provided in R6208 to R6240. The mask bits are coded as follows: 0 = Do not mask interrupt 1 = Mask interrupt
R6272 (0x1880) IRQ1_Raw_ Status_1	12	CTRLIF_ERR_STS1	0	Control Interface Error Status 0 = Normal 1 = Control Interface Error
	7	BOOT_DONE_STS1	0	Boot Status 0 = Busy (boot sequence in progress) 1 = Idle (boot sequence completed) Control register writes should not be attempted until Boot Sequence has completed.
R6273 (0x1881) IRQ1_Raw_ Status_2	15	FLL_AO_REF_LOST_STS1	0	FLL_AO Reference Lost Status 0 = Normal 1 = Reference Lost
	14	DSPCLK_ERR_STS1	0	DSPCLK Error Interrupt Status 0 = Normal 1 = Insufficient DSPCLK cycles for one or more of the requested DSPn clock frequencies
	13	ASYNCCLK_ERR_STS1	0	ASYNCCLK Error Interrupt Status 0 = Normal 1 = Insufficient ASYNCCLK cycles for the requested signal path functionality
	12	SYSCLK_ERR_STS1	0	SYSCLK Error Interrupt Status 0 = Normal 1 = Insufficient SYSCLK cycles for the requested signal path functionality
	11	FLL_AO_LOCK_STS1	0	FLL_AO Lock Status 0 = Not locked 1 = Locked
	9	FLL2_LOCK_STS1	0	FLL2 Lock Status 0 = Not locked 1 = Locked
	8	FLL1_LOCK_STS1	0	FLL1 Lock Status 0 = Not locked 1 = Locked
R6278 (0x1886) IRQ1_Raw_ Status_7	4	MICD_CLAMP_STS1	0	MICDET Clamp status 0 = Clamp not active 1 = Clamp active
	2	JD2_STS1	0	JACKDET2 input status 0 = Jack not detected 1 = Jack is detected (Assumes the JACKDET2 pin is pulled low on jack insertion.)
	0	JD1_STS1	0	JACKDET1 input status 0 = Jack not detected 1 = Jack is detected (Assumes the JACKDET1 pin is pulled low on jack insertion.)

Table 4-105. Interrupt 1 Control Registers (Cont.)

Register Address	Bit	Label	Default	Description
R6280 (0x1888) IRQ1_Raw_ Status_9	11	ASRC2_IN2_LOCK_STS1	0	ASRC2 IN2 Lock Status 0 = Not locked 1 = Locked
	10	ASRC2_IN1_LOCK_STS1	0	ASRC2 IN1 Lock Status 0 = Not locked 1 = Locked
	9	ASRC1_IN2_LOCK_STS1	0	ASRC1 IN2 Lock Status 0 = Not locked 1 = Locked
	8	ASRC1_IN1_LOCK_STS1	0	ASRC1 IN1 Lock Status 0 = Not locked 1 = Locked
	2	INPUTS_SIG_DET_STS1	0	Input Path Signal-Detect Status 0 = Normal 1 = Signal detected
	1	DRC2_SIG_DET_STS1	0	DRC2 Signal-Detect Status 0 = Normal 1 = Signal detected
	0	DRC1_SIG_DET_STS1	0	DRC1 Signal-Detect Status 0 = Normal 1 = Signal detected
R6283 (0x188B) IRQ1_Raw_ Status_12	5	HP3R_SC_STS1	0	HPOUT3R Short Circuit Status 0 = Normal 1 = Short Circuit detected
	4	HP3L_SC_STS1	0	HPOUT3L Short Circuit Status 0 = Normal 1 = Short Circuit detected
	3	HP2R_SC_STS1	0	HPOUT2R Short Circuit Status 0 = Normal 1 = Short Circuit detected
	2	HP2L_SC_STS1	0	HPOUT2L Short Circuit Status 0 = Normal 1 = Short Circuit detected
	1	HP1R_SC_STS1	0	HPOUT1R Short Circuit Status 0 = Normal 1 = Short Circuit detected
	0	HP1L_SC_STS1	0	HPOUT1L Short Circuit Status 0 = Normal 1 = Short Circuit detected

Table 4-105. Interrupt 1 Control Registers (Cont.)

Register Address	Bit	Label	Default	Description
R6284 (0x188C) IRQ1_Raw_ Status_13	5	HP3R_ENABLE_DONE_STS1	0	HPOUT3R Enable Status 0 = Busy (sequence in progress) 1 = Idle (sequence completed)
	4	HP3L_ENABLE_DONE_STS1	0	HPOUT3L Enable Status 0 = Busy (sequence in progress) 1 = Idle (sequence completed)
	3	HP2R_ENABLE_DONE_STS1	0	HPOUT2R Enable Status 0 = Busy (sequence in progress) 1 = Idle (sequence completed)
	2	HP2L_ENABLE_DONE_STS1	0	HPOUT2L Enable Status 0 = Busy (sequence in progress) 1 = Idle (sequence completed)
	1	HP1R_ENABLE_DONE_STS1	0	HPOUT1R Enable Status 0 = Busy (sequence in progress) 1 = Idle (sequence completed)
	0	HP1L_ENABLE_DONE_STS1	0	HPOUT1L Enable Status 0 = Busy (sequence in progress) 1 = Idle (sequence completed)
R6285 (0x188D) IRQ1_Raw_ Status_14	5	HP3R_DISABLE_DONE_STS1	0	HPOUT3R Disable Status 0 = Busy (sequence in progress) 1 = Idle (sequence completed)
	4	HP3L_DISABLE_DONE_STS1	0	HPOUT3L Disable Status 0 = Busy (sequence in progress) 1 = Idle (sequence completed)
	3	HP2R_DISABLE_DONE_STS1	0	HPOUT2R Disable Status 0 = Busy (sequence in progress) 1 = Idle (sequence completed)
	2	HP2L_DISABLE_DONE_STS1	0	HPOUT2L Disable Status 0 = Busy (sequence in progress) 1 = Idle (sequence completed)
	1	HP1R_DISABLE_DONE_STS1	0	HPOUT1R Disable Status 0 = Busy (sequence in progress) 1 = Idle (sequence completed)
	0	HP1L_DISABLE_DONE_STS1	0	HPOUT1L Disable Status 0 = Busy (sequence in progress) 1 = Idle (sequence completed)
R6288 (0x1890) IRQ1_Raw_ Status_17	15	GP16_STS1	0	GPIO _n Input status. Reads back the logic level of GPIO _n . Only valid for pins configured as GPIO input (does not include DSPGPIO inputs).
	14	GP15_STS1	0	
	13	GP14_STS1	0	
	12	GP13_STS1	0	
	11	GP12_STS1	0	
	10	GP11_STS1	0	
	9	GP10_STS1	0	
	8	GP9_STS1	0	
	7	GP8_STS1	0	
	6	GP7_STS1	0	
	5	GP6_STS1	0	
	4	GP5_STS1	0	
	3	GP4_STS1	0	
	2	GP3_STS1	0	
1	GP2_STS1	0		
0	GP1_STS1	0		

Table 4-105. Interrupt 1 Control Registers (Cont.)

Register Address	Bit	Label	Default	Description
R6289 (0x1891) IRQ1_Raw_ Status_18	15	GP32_STS1	0	GPIO n Input status. Reads back the logic level of GPIO n . Only valid for pins configured as GPIO input (does not include DSPGPIO inputs).
	14	GP31_STS1	0	
	13	GP30_STS1	0	
	12	GP29_STS1	0	
	11	GP28_STS1	0	
	10	GP27_STS1	0	
	9	GP26_STS1	0	
	8	GP25_STS1	0	
	7	GP24_STS1	0	
	6	GP23_STS1	0	
	5	GP22_STS1	0	
	4	GP21_STS1	0	
	3	GP20_STS1	0	
	2	GP19_STS1	0	
	1	GP18_STS1	0	
	0	GP17_STS1	0	
R6290 (0x1892) IRQ1_Raw_ Status_19	5	GP38_STS1	0	GPIO n Input status. Reads back the logic level of GPIO n . Only valid for pins configured as GPIO input (does not include DSPGPIO inputs).
	4	GP37_STS1	0	
	3	GP36_STS1	0	
	2	GP35_STS1	0	
	1	GP34_STS1	0	
	0	GP33_STS1	0	
R6293 (0x1895) IRQ1_Raw_ Status_22	7	EVENT8_NOT_EMPTY_STS1	0	Event Log n FIFO Not-Empty status 0 = FIFO Empty 1 = FIFO Not Empty
	6	EVENT7_NOT_EMPTY_STS1	0	
	5	EVENT6_NOT_EMPTY_STS1	0	
	4	EVENT5_NOT_EMPTY_STS1	0	
	3	EVENT4_NOT_EMPTY_STS1	0	
	2	EVENT3_NOT_EMPTY_STS1	0	
	1	EVENT2_NOT_EMPTY_STS1	0	
	0	EVENT1_NOT_EMPTY_STS1	0	
R6294 (0x1896) IRQ1_Raw_ Status_23	7	EVENT8_FULL_STS1	0	Event Log n FIFO Full status 0 = FIFO Not Full 1 = FIFO Full
	6	EVENT7_FULL_STS1	0	
	5	EVENT6_FULL_STS1	0	
	4	EVENT5_FULL_STS1	0	
	3	EVENT4_FULL_STS1	0	
	2	EVENT3_FULL_STS1	0	
	1	EVENT2_FULL_STS1	0	
	0	EVENT1_FULL_STS1	0	
R6295 (0x1897) IRQ1_Raw_ Status_24	7	EVENT8_WMARK_STS1	0	Event Log n FIFO Watermark status 0 = FIFO Watermark not reached 1 = FIFO Watermark reached
	6	EVENT7_WMARK_STS1	0	
	5	EVENT6_WMARK_STS1	0	
	4	EVENT5_WMARK_STS1	0	
	3	EVENT4_WMARK_STS1	0	
	2	EVENT3_WMARK_STS1	0	
	1	EVENT2_WMARK_STS1	0	
	0	EVENT1_WMARK_STS1	0	
R6296 (0x1898) IRQ1_Raw_ Status_25	6	DSP7_DMA_STS1	0	DSP n DMA status 0 = Normal 1 = All enabled WDMA buffers filled, and all enabled RDMA buffers emptied
	5	DSP6_DMA_STS1	0	
	4	DSP5_DMA_STS1	0	
	3	DSP4_DMA_STS1	0	
	2	DSP3_DMA_STS1	0	
	1	DSP2_DMA_STS1	0	
0	DSP1_DMA_STS1	0		

Table 4-105. Interrupt 1 Control Registers (Cont.)

Register Address	Bit	Label	Default	Description
R6301 (0x189D) IRQ1_Raw_ Status_30	6	DSP7_BUSY_STS1	0	DSP n Busy status
	5	DSP6_BUSY_STS1	0	0 = DSP Idle
	4	DSP5_BUSY_STS1	0	1 = DSP Busy
	3	DSP4_BUSY_STS1	0	
	2	DSP3_BUSY_STS1	0	
	1	DSP2_BUSY_STS1	0	
	0	DSP1_BUSY_STS1	0	

1. The BOOT_DONE_EINT1 interrupt is 0 (unmasked) by default; all other interrupts are 1 (masked) by default.

The IRQ2 interrupt, mask, and status control registers are described in [Table 4-106](#).

Table 4-106. Interrupt 2 Control Registers

Register Address	Bit	Label	Default	Description
R6400 (0x1900) IRQ2_Status_1	15	DSP_SHARED_WR_COLL_EINT2	0	DSP Shared Memory Collision Interrupt (Rising edge triggered) Note: Cleared when a 1 is written.
	12	CTRLIF_ERR_EINT2	0	Control Interface Error Interrupt (Rising edge triggered) Note: Cleared when a 1 is written.
	9	SYSCLK_FAIL_EINT2	0	SYSCLK Fail Interrupt (Rising edge triggered) Note: Cleared when a 1 is written.
	7	BOOT_DONE_EINT2	0	Boot Done Interrupt (Rising edge triggered) Note: Cleared when a 1 is written.
R6401 (0x1901) IRQ2_Status_2	15	FLL_AO_REF_LOST_EINT2	0	FLL_AO Reference Lost Interrupt (Rising edge triggered) Note: Cleared when a 1 is written.
	14	DSPCLK_ERR_EINT2	0	DSPCLK Error Interrupt (Rising edge triggered) Note: Cleared when a 1 is written.
	13	ASYNCCLK_ERR_EINT2	0	ASYNCCLK Error Interrupt (Rising edge triggered) Note: Cleared when a 1 is written.
	12	SYSCLK_ERR_EINT2	0	SYSCLK Error Interrupt (Rising edge triggered) Note: Cleared when a 1 is written.
	11	FLL_AO_LOCK_EINT2	0	FLL_AO Lock Interrupt (Rising edge triggered) Note: Cleared when a 1 is written.
	9	FLL2_LOCK_EINT2	0	FLL2 Lock Interrupt (Rising edge triggered) Note: Cleared when a 1 is written.
	8	FLL1_LOCK_EINT2	0	FLL1 Lock Interrupt (Rising edge triggered) Note: Cleared when a 1 is written.
R6405 (0x1905) IRQ2_Status_6	9	MICDET2_EINT2	0	Mic/Accessory Detect 2 Interrupt (Detection event triggered) Note: Cleared when a 1 is written.
	8	MICDET1_EINT2	0	Mic/Accessory Detect 1 Interrupt (Detection event triggered) Note: Cleared when a 1 is written.
	0	HPDET_EINT2	0	Headphone Detect Interrupt (Rising edge triggered) Note: Cleared when a 1 is written.
R6406 (0x1906) IRQ2_Status_7	5	MICD_CLAMP_FALL_EINT2	0	MICDET Clamp Interrupt (Falling edge triggered) Note: Cleared when a 1 is written.
	4	MICD_CLAMP_RISE_EINT2	0	MICDET Clamp Interrupt (Rising edge triggered) Note: Cleared when a 1 is written.
	3	JD2_FALL_EINT2	0	JD2 Interrupt (Falling edge triggered) Note: Cleared when a 1 is written.
	2	JD2_RISE_EINT2	0	JD2 Interrupt (Rising edge triggered) Note: Cleared when a 1 is written.
	1	JD1_FALL_EINT2	0	JD1 Interrupt (Falling edge triggered) Note: Cleared when a 1 is written.
	0	JD1_RISE_EINT2	0	JD1 Interrupt (Rising edge triggered) Note: Cleared when a 1 is written.

Table 4-106. Interrupt 2 Control Registers (Cont.)

Register Address	Bit	Label	Default	Description
R6408 (0x1908) IRQ2_Status_9	11	ASRC2_IN2_LOCK_EINT2	0	ASRC2 IN2 Lock Interrupt (Rising and falling edge triggered) Note: Cleared when a 1 is written.
	10	ASRC2_IN1_LOCK_EINT2	0	ASRC2 IN1 Lock Interrupt (Rising and falling edge triggered) Note: Cleared when a 1 is written.
	9	ASRC1_IN2_LOCK_EINT2	0	ASRC1 IN2 Lock Interrupt (Rising and falling edge triggered) Note: Cleared when a 1 is written.
	8	ASRC1_IN1_LOCK_EINT2	0	ASRC1 IN1 Lock Interrupt (Rising and falling edge triggered) Note: Cleared when a 1 is written.
	2	INPUTS_SIG_DET_EINT2	0	Input Path Signal-Detect Interrupt (Rising and falling edge triggered) Note: Cleared when a 1 is written.
	1	DRC2_SIG_DET_EINT2	0	DRC2 Signal-Detect Interrupt (Rising and falling edge triggered) Note: Cleared when a 1 is written.
	0	DRC1_SIG_DET_EINT2	0	DRC1 Signal-Detect Interrupt (Rising and falling edge triggered) Note: Cleared when a 1 is written.
R6410 (0x190A) IRQ2_Status_11	15	DSP_IRQ16_EINT2	0	DSP IRQ16 Interrupt (Rising edge triggered) Note: Cleared when a 1 is written.
	14	DSP_IRQ15_EINT2	0	DSP IRQ15 Interrupt (Rising edge triggered) Note: Cleared when a 1 is written.
	13	DSP_IRQ14_EINT2	0	DSP IRQ14 Interrupt (Rising edge triggered) Note: Cleared when a 1 is written.
	12	DSP_IRQ13_EINT2	0	DSP IRQ13 Interrupt (Rising edge triggered) Note: Cleared when a 1 is written.
	11	DSP_IRQ12_EINT2	0	DSP IRQ12 Interrupt (Rising edge triggered) Note: Cleared when a 1 is written.
	10	DSP_IRQ11_EINT2	0	DSP IRQ11 Interrupt (Rising edge triggered) Note: Cleared when a 1 is written.
	9	DSP_IRQ10_EINT2	0	DSP IRQ10 Interrupt (Rising edge triggered) Note: Cleared when a 1 is written.
	8	DSP_IRQ9_EINT2	0	DSP IRQ9 Interrupt (Rising edge triggered) Note: Cleared when a 1 is written.
	7	DSP_IRQ8_EINT2	0	DSP IRQ8 Interrupt (Rising edge triggered) Note: Cleared when a 1 is written.
	6	DSP_IRQ7_EINT2	0	DSP IRQ7 Interrupt (Rising edge triggered) Note: Cleared when a 1 is written.
	5	DSP_IRQ6_EINT2	0	DSP IRQ6 Interrupt (Rising edge triggered) Note: Cleared when a 1 is written.
	4	DSP_IRQ5_EINT2	0	DSP IRQ5 Interrupt (Rising edge triggered) Note: Cleared when a 1 is written.
	3	DSP_IRQ4_EINT2	0	DSP IRQ4 Interrupt (Rising edge triggered) Note: Cleared when a 1 is written.
	2	DSP_IRQ3_EINT2	0	DSP IRQ3 Interrupt (Rising edge triggered) Note: Cleared when a 1 is written.
	1	DSP_IRQ2_EINT2	0	DSP IRQ2 Interrupt (Rising edge triggered) Note: Cleared when a 1 is written.
0	DSP_IRQ1_EINT2	0	DSP IRQ1 Interrupt (Rising edge triggered) Note: Cleared when a 1 is written.	

Table 4-106. Interrupt 2 Control Registers (Cont.)

Register Address	Bit	Label	Default	Description
R6411 (0x190B) IRQ2_Status_12	5	HP3R_SC_EINT2	0	HPOUT3R Short Circuit Interrupt (Rising edge triggered) Note: Cleared when a 1 is written.
	4	HP3L_SC_EINT2	0	HPOUT3L Short Circuit Interrupt (Rising edge triggered) Note: Cleared when a 1 is written.
	3	HP2R_SC_EINT2	0	HPOUT2R Short Circuit Interrupt (Rising edge triggered) Note: Cleared when a 1 is written.
	2	HP2L_SC_EINT2	0	HPOUT2L Short Circuit Interrupt (Rising edge triggered) Note: Cleared when a 1 is written.
	1	HP1R_SC_EINT2	0	HPOUT1R Short Circuit Interrupt (Rising edge triggered) Note: Cleared when a 1 is written.
	0	HP1L_SC_EINT2	0	HPOUT1L Short Circuit Interrupt (Rising edge triggered) Note: Cleared when a 1 is written.
R6412 (0x190C) IRQ2_Status_13	5	HP3R_ENABLE_DONE_EINT2	0	HPOUT3R Enable Interrupt (Rising edge triggered) Note: Cleared when a 1 is written.
	4	HP3L_ENABLE_DONE_EINT2	0	HPOUT3L Enable Interrupt (Rising edge triggered) Note: Cleared when a 1 is written.
	3	HP2R_ENABLE_DONE_EINT2	0	HPOUT2R Enable Interrupt (Rising edge triggered) Note: Cleared when a 1 is written.
	2	HP2L_ENABLE_DONE_EINT2	0	HPOUT2L Enable Interrupt (Rising edge triggered) Note: Cleared when a 1 is written.
	1	HP1R_ENABLE_DONE_EINT2	0	HPOUT1R Enable Interrupt (Rising edge triggered) Note: Cleared when a 1 is written.
	0	HP1L_ENABLE_DONE_EINT2	0	HPOUT1L Enable Interrupt (Rising edge triggered) Note: Cleared when a 1 is written.
R6413 (0x190D) IRQ2_Status_14	5	HP3R_DISABLE_DONE_EINT2	0	HPOUT3R Disable Interrupt (Rising edge triggered) Note: Cleared when a 1 is written.
	4	HP3L_DISABLE_DONE_EINT2	0	HPOUT3L Disable Interrupt (Rising edge triggered) Note: Cleared when a 1 is written.
	3	HP2R_DISABLE_DONE_EINT2	0	HPOUT2R Disable Interrupt (Rising edge triggered) Note: Cleared when a 1 is written.
	2	HP2L_DISABLE_DONE_EINT2	0	HPOUT2L Disable Interrupt (Rising edge triggered) Note: Cleared when a 1 is written.
	1	HP1R_DISABLE_DONE_EINT2	0	HPOUT1R Disable Interrupt (Rising edge triggered) Note: Cleared when a 1 is written.
	0	HP1L_DISABLE_DONE_EINT2	0	HPOUT1L Disable Interrupt (Rising edge triggered) Note: Cleared when a 1 is written.

Table 4-106. Interrupt 2 Control Registers (Cont.)

Register Address	Bit	Label	Default	Description
R6416 (0x1910) IRQ2_Status_17	15	GP16_EINT2	0	GPIO16 Interrupt (Rising and falling edge triggered) Note: Cleared when a 1 is written.
	14	GP15_EINT2	0	GPIO15 Interrupt (Rising and falling edge triggered) Note: Cleared when a 1 is written.
	13	GP14_EINT2	0	GPIO14 Interrupt (Rising and falling edge triggered) Note: Cleared when a 1 is written.
	12	GP13_EINT2	0	GPIO13 Interrupt (Rising and falling edge triggered) Note: Cleared when a 1 is written.
	11	GP12_EINT2	0	GPIO12 Interrupt (Rising and falling edge triggered) Note: Cleared when a 1 is written.
	10	GP11_EINT2	0	GPIO11 Interrupt (Rising and falling edge triggered) Note: Cleared when a 1 is written.
	9	GP10_EINT2	0	GPIO10 Interrupt (Rising and falling edge triggered) Note: Cleared when a 1 is written.
	8	GP9_EINT2	0	GPIO9 Interrupt (Rising and falling edge triggered) Note: Cleared when a 1 is written.
	7	GP8_EINT2	0	GPIO8 Interrupt (Rising and falling edge triggered) Note: Cleared when a 1 is written.
	6	GP7_EINT2	0	GPIO7 Interrupt (Rising and falling edge triggered) Note: Cleared when a 1 is written.
	5	GP6_EINT2	0	GPIO6 Interrupt (Rising and falling edge triggered) Note: Cleared when a 1 is written.
	4	GP5_EINT2	0	GPIO5 Interrupt (Rising and falling edge triggered) Note: Cleared when a 1 is written.
	3	GP4_EINT2	0	GPIO4 Interrupt (Rising and falling edge triggered) Note: Cleared when a 1 is written.
	2	GP3_EINT2	0	GPIO3 Interrupt (Rising and falling edge triggered) Note: Cleared when a 1 is written.
	1	GP2_EINT2	0	GPIO2 Interrupt (Rising and falling edge triggered) Note: Cleared when a 1 is written.
	0	GP1_EINT2	0	GPIO1 Interrupt (Rising and falling edge triggered) Note: Cleared when a 1 is written.

Table 4-106. Interrupt 2 Control Registers (Cont.)

Register Address	Bit	Label	Default	Description
R6417 (0x1911) IRQ2_Status_18	15	GP32_EINT2	0	GPIO32 Interrupt (Rising and falling edge triggered) Note: Cleared when a 1 is written.
	14	GP31_EINT2	0	GPIO31 Interrupt (Rising and falling edge triggered) Note: Cleared when a 1 is written.
	13	GP30_EINT2	0	GPIO30 Interrupt (Rising and falling edge triggered) Note: Cleared when a 1 is written.
	12	GP29_EINT2	0	GPIO29 Interrupt (Rising and falling edge triggered) Note: Cleared when a 1 is written.
	11	GP28_EINT2	0	GPIO28 Interrupt (Rising and falling edge triggered) Note: Cleared when a 1 is written.
	10	GP27_EINT2	0	GPIO27 Interrupt (Rising and falling edge triggered) Note: Cleared when a 1 is written.
	9	GP26_EINT2	0	GPIO26 Interrupt (Rising and falling edge triggered) Note: Cleared when a 1 is written.
	8	GP25_EINT2	0	GPIO25 Interrupt (Rising and falling edge triggered) Note: Cleared when a 1 is written.
	7	GP24_EINT2	0	GPIO24 Interrupt (Rising and falling edge triggered) Note: Cleared when a 1 is written.
	6	GP23_EINT2	0	GPIO23 Interrupt (Rising and falling edge triggered) Note: Cleared when a 1 is written.
	5	GP22_EINT2	0	GPIO22 Interrupt (Rising and falling edge triggered) Note: Cleared when a 1 is written.
	4	GP21_EINT2	0	GPIO21 Interrupt (Rising and falling edge triggered) Note: Cleared when a 1 is written.
	3	GP20_EINT2	0	GPIO20 Interrupt (Rising and falling edge triggered) Note: Cleared when a 1 is written.
	2	GP19_EINT2	0	GPIO19 Interrupt (Rising and falling edge triggered) Note: Cleared when a 1 is written.
	1	GP18_EINT2	0	GPIO18 Interrupt (Rising and falling edge triggered) Note: Cleared when a 1 is written.
	0	GP17_EINT2	0	GPIO17 Interrupt (Rising and falling edge triggered) Note: Cleared when a 1 is written.
R6416 (0x1910) IRQ2_Status_17	5	GP38_EINT2	0	GPIO38 Interrupt (Rising and falling edge triggered) Note: Cleared when a 1 is written.
	4	GP37_EINT2	0	GPIO37 Interrupt (Rising and falling edge triggered) Note: Cleared when a 1 is written.
	3	GP36_EINT2	0	GPIO36 Interrupt (Rising and falling edge triggered) Note: Cleared when a 1 is written.
	2	GP35_EINT2	0	GPIO35 Interrupt (Rising and falling edge triggered) Note: Cleared when a 1 is written.
	1	GP34_EINT2	0	GPIO34 Interrupt (Rising and falling edge triggered) Note: Cleared when a 1 is written.
	0	GP33_EINT2	0	GPIO33 Interrupt (Rising and falling edge triggered) Note: Cleared when a 1 is written.

Table 4-106. Interrupt 2 Control Registers (Cont.)

Register Address	Bit	Label	Default	Description
R6420 (0x1914) IRQ2_Status_21	7	TIMER8_EINT2	0	Timer 8 Interrupt (Rising edge triggered) Note: Cleared when a 1 is written.
	6	TIMER7_EINT2	0	Timer 7 Interrupt (Rising edge triggered) Note: Cleared when a 1 is written.
	5	TIMER6_EINT2	0	Timer 6 Interrupt (Rising edge triggered) Note: Cleared when a 1 is written.
	4	TIMER5_EINT2	0	Timer 5 Interrupt (Rising edge triggered) Note: Cleared when a 1 is written.
	3	TIMER4_EINT2	0	Timer 4 Interrupt (Rising edge triggered) Note: Cleared when a 1 is written.
	2	TIMER3_EINT2	0	Timer 3 Interrupt (Rising edge triggered) Note: Cleared when a 1 is written.
	1	TIMER2_EINT2	0	Timer 2 Interrupt (Rising edge triggered) Note: Cleared when a 1 is written.
	0	TIMER1_EINT2	0	Timer 1 Interrupt (Rising edge triggered) Note: Cleared when a 1 is written.
R6421 (0x1915) IRQ2_Status_22	7	EVENT8_NOT_EMPTY_EINT2	0	Event Log 8 FIFO Not Empty Interrupt (Rising edge triggered) Note: Cleared when a 1 is written.
	6	EVENT7_NOT_EMPTY_EINT2	0	Event Log 7 FIFO Not Empty Interrupt (Rising edge triggered) Note: Cleared when a 1 is written.
	5	EVENT6_NOT_EMPTY_EINT2	0	Event Log 6 FIFO Not Empty Interrupt (Rising edge triggered) Note: Cleared when a 1 is written.
	4	EVENT5_NOT_EMPTY_EINT2	0	Event Log 5 FIFO Not Empty Interrupt (Rising edge triggered) Note: Cleared when a 1 is written.
	3	EVENT4_NOT_EMPTY_EINT2	0	Event Log 4 FIFO Not Empty Interrupt (Rising edge triggered) Note: Cleared when a 1 is written.
	2	EVENT3_NOT_EMPTY_EINT2	0	Event Log 3 FIFO Not Empty Interrupt (Rising edge triggered) Note: Cleared when a 1 is written.
	1	EVENT2_NOT_EMPTY_EINT2	0	Event Log 2 FIFO Not Empty Interrupt (Rising edge triggered) Note: Cleared when a 1 is written.
	0	EVENT1_NOT_EMPTY_EINT2	0	Event Log 1 FIFO Not Empty Interrupt (Rising edge triggered) Note: Cleared when a 1 is written.
R6422 (0x1916) IRQ2_Status_23	7	EVENT8_FULL_EINT2	0	Event Log 8 FIFO Full Interrupt (Rising edge triggered) Note: Cleared when a 1 is written.
	6	EVENT7_FULL_EINT2	0	Event Log 7 FIFO Full Interrupt (Rising edge triggered) Note: Cleared when a 1 is written.
	5	EVENT6_FULL_EINT2	0	Event Log 6 FIFO Full Interrupt (Rising edge triggered) Note: Cleared when a 1 is written.
	4	EVENT5_FULL_EINT2	0	Event Log 5 FIFO Full Interrupt (Rising edge triggered) Note: Cleared when a 1 is written.
	3	EVENT4_FULL_EINT2	0	Event Log 4 FIFO Full Interrupt (Rising edge triggered) Note: Cleared when a 1 is written.
	2	EVENT3_FULL_EINT2	0	Event Log 3 FIFO Full Interrupt (Rising edge triggered) Note: Cleared when a 1 is written.
	1	EVENT2_FULL_EINT2	0	Event Log 2 FIFO Full Interrupt (Rising edge triggered) Note: Cleared when a 1 is written.
	0	EVENT1_FULL_EINT2	0	Event Log 1 FIFO Full Interrupt (Rising edge triggered) Note: Cleared when a 1 is written.

Table 4-106. Interrupt 2 Control Registers (Cont.)

Register Address	Bit	Label	Default	Description
R6423 (0x1917) IRQ2_Status_24	7	EVENT8_WMARK_EINT2	0	Event Log 8 FIFO Watermark Interrupt (Rising edge triggered) Note: Cleared when a 1 is written.
	6	EVENT7_WMARK_EINT2	0	Event Log 7 FIFO Watermark Interrupt (Rising edge triggered) Note: Cleared when a 1 is written.
	5	EVENT6_WMARK_EINT2	0	Event Log 6 FIFO Watermark Interrupt (Rising edge triggered) Note: Cleared when a 1 is written.
	4	EVENT5_WMARK_EINT2	0	Event Log 5 FIFO Watermark Interrupt (Rising edge triggered) Note: Cleared when a 1 is written.
	3	EVENT4_WMARK_EINT2	0	Event Log 4 FIFO Watermark Interrupt (Rising edge triggered) Note: Cleared when a 1 is written.
	2	EVENT3_WMARK_EINT2	0	Event Log 3 FIFO Watermark Interrupt (Rising edge triggered) Note: Cleared when a 1 is written.
	1	EVENT2_WMARK_EINT2	0	Event Log 2 FIFO Watermark Interrupt (Rising edge triggered) Note: Cleared when a 1 is written.
	0	EVENT1_WMARK_EINT2	0	Event Log 1 FIFO Watermark Interrupt (Rising edge triggered) Note: Cleared when a 1 is written.
R6424 (0x1918) IRQ2_Status_25	6	DSP7_DMA_EINT2	0	DSP7 DMA Interrupt (Rising edge triggered) Note: Cleared when a 1 is written.
	5	DSP6_DMA_EINT2	00	DSP6 DMA Interrupt (Rising edge triggered) Note: Cleared when a 1 is written.
	4	DSP5_DMA_EINT2	00	DSP5 DMA Interrupt (Rising edge triggered) Note: Cleared when a 1 is written.
	3	DSP4_DMA_EINT2	00	DSP4 DMA Interrupt (Rising edge triggered) Note: Cleared when a 1 is written.
	2	DSP3_DMA_EINT2	00	DSP3 DMA Interrupt (Rising edge triggered) Note: Cleared when a 1 is written.
	1	DSP2_DMA_EINT2	00	DSP2 DMA Interrupt (Rising edge triggered) Note: Cleared when a 1 is written.
	0	DSP1_DMA_EINT2	00	DSP1 DMA Interrupt (Rising edge triggered) Note: Cleared when a 1 is written.
R6426 (0x191A) IRQ2_Status_27	6	DSP7_START1_EINT2	0	DSP7 Start 1 Interrupt (Rising edge triggered) Note: Cleared when a 1 is written.
	5	DSP6_START1_EINT2	0	DSP6 Start 1 Interrupt (Rising edge triggered) Note: Cleared when a 1 is written.
	4	DSP5_START1_EINT2	0	DSP5 Start 1 Interrupt (Rising edge triggered) Note: Cleared when a 1 is written.
	3	DSP4_START1_EINT2	0	DSP4 Start 1 Interrupt (Rising edge triggered) Note: Cleared when a 1 is written.
	2	DSP3_START1_EINT2	0	DSP3 Start 1 Interrupt (Rising edge triggered) Note: Cleared when a 1 is written.
	1	DSP2_START1_EINT2	0	DSP2 Start 1 Interrupt (Rising edge triggered) Note: Cleared when a 1 is written.
	0	DSP1_START1_EINT2	0	DSP1 Start 1 Interrupt (Rising edge triggered) Note: Cleared when a 1 is written.

Table 4-106. Interrupt 2 Control Registers (Cont.)

Register Address	Bit	Label	Default	Description
R6427 (0x191B) IRQ2_Status_28	6	DSP7_START2_EINT2	0	DSP7 Start 2 Interrupt (Rising edge triggered) Note: Cleared when a 1 is written.
	5	DSP6_START2_EINT2	0	DSP6 Start 2 Interrupt (Rising edge triggered) Note: Cleared when a 1 is written.
	4	DSP5_START2_EINT2	0	DSP5 Start 2 Interrupt (Rising edge triggered) Note: Cleared when a 1 is written.
	3	DSP4_START2_EINT2	0	DSP4 Start 2 Interrupt (Rising edge triggered) Note: Cleared when a 1 is written.
	2	DSP3_START2_EINT2	0	DSP3 Start 2 Interrupt (Rising edge triggered) Note: Cleared when a 1 is written.
	1	DSP2_START2_EINT2	0	DSP2 Start 2 Interrupt (Rising edge triggered) Note: Cleared when a 1 is written.
	0	DSP1_START2_EINT2	0	DSP1 Start 2 Interrupt (Rising edge triggered) Note: Cleared when a 1 is written.
R6429 (0x191D) IRQ2_Status_30	6	DSP7_BUSY_EINT2	0	DSP7 Busy Interrupt (Rising edge triggered) Note: Cleared when a 1 is written.
	5	DSP6_BUSY_EINT2	0	DSP6 Busy Interrupt (Rising edge triggered) Note: Cleared when a 1 is written.
	4	DSP5_BUSY_EINT2	0	DSP5 Busy Interrupt (Rising edge triggered) Note: Cleared when a 1 is written.
	3	DSP4_BUSY_EINT2	0	DSP4 Busy Interrupt (Rising edge triggered) Note: Cleared when a 1 is written.
	2	DSP3_BUSY_EINT2	0	DSP3 Busy Interrupt (Rising edge triggered) Note: Cleared when a 1 is written.
	1	DSP2_BUSY_EINT2	0	DSP2 Busy Interrupt (Rising edge triggered) Note: Cleared when a 1 is written.
	0	DSP1_BUSY_EINT2	0	DSP1 Busy Interrupt (Rising edge triggered) Note: Cleared when a 1 is written.
R6430 (0x191E) IRQ2_Status_31	2	MIF3_DONE_EINT2	0	MIF3 Done Interrupt (Rising edge triggered) Note: Cleared when a 1 is written.
	1	MIF2_DONE_EINT2	0	MIF2 Done Interrupt (Rising edge triggered) Note: Cleared when a 1 is written.
	0	MIF1_DONE_EINT2	0	MIF1 Done Interrupt (Rising edge triggered) Note: Cleared when a 1 is written.
R6431 (0x191F) IRQ2_Status_32	2	MIF3_BLOCK_EINT2	0	MIF3 Block Interrupt (Rising edge triggered) Note: Cleared when a 1 is written.
	1	MIF2_BLOCK_EINT2	0	MIF2 Block Interrupt (Rising edge triggered) Note: Cleared when a 1 is written.
	0	MIF1_BLOCK_EINT2	0	MIF1 Block Interrupt (Rising edge triggered) Note: Cleared when a 1 is written.
R6432 (0x1920) IRQ2_Status_33	6	DSP7_BUS_ERR_EINT2	0	DSP7 Bus Error Interrupt (Rising edge triggered) Note: Cleared when a 1 is written.
	5	DSP6_BUS_ERR_EINT2	0	DSP6 Bus Error Interrupt (Rising edge triggered) Note: Cleared when a 1 is written.
	4	DSP5_BUS_ERR_EINT2	0	DSP5 Bus Error Interrupt (Rising edge triggered) Note: Cleared when a 1 is written.
	3	DSP4_BUS_ERR_EINT2	0	DSP4 Bus Error Interrupt (Rising edge triggered) Note: Cleared when a 1 is written.
	2	DSP3_BUS_ERR_EINT2	0	DSP3 Bus Error Interrupt (Rising edge triggered) Note: Cleared when a 1 is written.
	1	DSP2_BUS_ERR_EINT2	0	DSP2 Bus Error Interrupt (Rising edge triggered) Note: Cleared when a 1 is written.
	0	DSP1_BUS_ERR_EINT2	0	DSP1 Bus Error Interrupt (Rising edge triggered) Note: Cleared when a 1 is written.

Table 4-106. Interrupt 2 Control Registers (Cont.)

Register Address	Bit	Label	Default	Description
R6464 (0x1940) to R6495 (0x195F)		IM_*	1	For each x_EINT2 interrupt bit in R6400 to R6432, a corresponding mask bit (IM_*) is provided in R6464 to R6496. The mask bits are coded as follows: 0 = Do not mask interrupt 1 = Mask interrupt
R6528 (0x1980) IRQ2_Raw_ Status_1	12	CTRLIF_ERR_STS2	0	Control Interface Error Status 0 = Normal 1 = Control Interface Error
	7	BOOT_DONE_STS2	0	Boot Status 0 = Busy (boot sequence in progress) 1 = Idle (boot sequence completed) Control register writes should not be attempted until Boot Sequence has completed.
R6529 (0x1981) IRQ2_Raw_ Status_2	15	FLL_AO_REF_LOST_STS2	0	FLL_AO Reference Lost Status 0 = Normal 1 = Reference Lost
	14	DSPCLK_ERR_STS2	0	DSPCLK Error Interrupt Status 0 = Normal 1 = Insufficient DSPCLK cycles for one or more of the requested DSPn clock frequencies
	13	ASYNCCLK_ERR_STS2	0	ASYNCCLK Error Interrupt Status 0 = Normal 1 = Insufficient ASYNCCLK cycles for the requested signal path functionality
	12	SYSCLK_ERR_STS2	0	SYSCLK Error Interrupt Status 0 = Normal 1 = Insufficient SYSCLK cycles for the requested signal path functionality
	11	FLL_AO_LOCK_STS2	0	FLL_AO Lock Status 0 = Not locked 1 = Locked
	9	FLL2_LOCK_STS2	0	FLL2 Lock Status 0 = Not locked 1 = Locked
	8	FLL1_LOCK_STS2	0	FLL1 Lock Status 0 = Not locked 1 = Locked
R6534 (0x1986) IRQ2_Raw_ Status_7	4	MICD_CLAMP_STS2	0	MICDET Clamp status 0 = Clamp not active 1 = Clamp active
	2	JD2_STS2	0	JACKDET2 input status 0 = Jack not detected 1 = Jack is detected (Assumes the JACKDET2 pin is pulled low on jack insertion.)
	0	JD1_STS2	0	JACKDET1 input status 0 = Jack not detected 1 = Jack is detected (Assumes the JACKDET1 pin is pulled low on jack insertion.)

Table 4-106. Interrupt 2 Control Registers (Cont.)

Register Address	Bit	Label	Default	Description
R6536 (0x1988) IRQ2_Raw_ Status_9	11	ASRC2_IN2_LOCK_STS2	0	ASRC2 IN2 Lock Status 0 = Not locked 1 = Locked
	10	ASRC2_IN1_LOCK_STS2	0	ASRC2 IN1 Lock Status 0 = Not locked 1 = Locked
	9	ASRC1_IN2_LOCK_STS2	0	ASRC1 IN2 Lock Status 0 = Not locked 1 = Locked
	8	ASRC1_IN1_LOCK_STS2	0	ASRC1 IN1 Lock Status 0 = Not locked 1 = Locked
	2	INPUTS_SIG_DET_STS2	0	Input Path Signal-Detect Status 0 = Normal 1 = Signal detected
	1	DRC2_SIG_DET_STS2	0	DRC2 Signal-Detect Status 0 = Normal 1 = Signal detected
	0	DRC1_SIG_DET_STS2	0	DRC1 Signal-Detect Status 0 = Normal 1 = Signal detected
R6539 (0x198B) IRQ2_Raw_ Status_12	5	HP3R_SC_STS2	0	HPOUT3R Short Circuit Status 0 = Normal 1 = Short Circuit detected
	4	HP3L_SC_STS2	0	HPOUT3L Short Circuit Status 0 = Normal 1 = Short Circuit detected
	3	HP2R_SC_STS2	0	HPOUT2R Short Circuit Status 0 = Normal 1 = Short Circuit detected
	2	HP2L_SC_STS2	0	HPOUT2L Short Circuit Status 0 = Normal 1 = Short Circuit detected
	1	HP1R_SC_STS2	0	HPOUT1R Short Circuit Status 0 = Normal 1 = Short Circuit detected
	0	HP1L_SC_STS2	0	HPOUT1L Short Circuit Status 0 = Normal 1 = Short Circuit detected

Table 4-106. Interrupt 2 Control Registers (Cont.)

Register Address	Bit	Label	Default	Description
R6540 (0x198C) IRQ2_Raw_ Status_13	5	HP3R_ENABLE_DONE_STS2	0	HPOUT3R Enable Status 0 = Busy (sequence in progress) 1 = Idle (sequence completed)
	4	HP3L_ENABLE_DONE_STS2	0	HPOUT3L Enable Status 0 = Busy (sequence in progress) 1 = Idle (sequence completed)
	3	HP2R_ENABLE_DONE_STS2	0	HPOUT2R Enable Status 0 = Busy (sequence in progress) 1 = Idle (sequence completed)
	2	HP2L_ENABLE_DONE_STS2	0	HPOUT2L Enable Status 0 = Busy (sequence in progress) 1 = Idle (sequence completed)
	1	HP1R_ENABLE_DONE_STS2	0	HPOUT1R Enable Status 0 = Busy (sequence in progress) 1 = Idle (sequence completed)
	0	HP1L_ENABLE_DONE_STS2	0	HPOUT1L Enable Status 0 = Busy (sequence in progress) 1 = Idle (sequence completed)
R6541 (0x198D) IRQ2_Raw_ Status_14	5	HP3R_DISABLE_DONE_STS2	0	HPOUT3R Disable Status 0 = Busy (sequence in progress) 1 = Idle (sequence completed)
	4	HP3L_DISABLE_DONE_STS2	0	HPOUT3L Disable Status 0 = Busy (sequence in progress) 1 = Idle (sequence completed)
	3	HP2R_DISABLE_DONE_STS2	0	HPOUT2R Disable Status 0 = Busy (sequence in progress) 1 = Idle (sequence completed)
	2	HP2L_DISABLE_DONE_STS2	0	HPOUT2L Disable Status 0 = Busy (sequence in progress) 1 = Idle (sequence completed)
	1	HP1R_DISABLE_DONE_STS2	0	HPOUT1R Disable Status 0 = Busy (sequence in progress) 1 = Idle (sequence completed)
	0	HP1L_DISABLE_DONE_STS2	0	HPOUT1L Disable Status 0 = Busy (sequence in progress) 1 = Idle (sequence completed)
R6544 (0x1990) IRQ2_Raw_ Status_17	15	GP16_STS2	0	GPIO _n Input status Reads back the logic level of GPIO _n . Only valid for pins configured as GPIO input (does not include DSPGPIO inputs).
	14	GP15_STS2	0	
	13	GP14_STS2	0	
	12	GP13_STS2	0	
	11	GP12_STS2	0	
	10	GP11_STS2	0	
	9	GP10_STS2	0	
	8	GP9_STS2	0	
	7	GP8_STS2	0	
	6	GP7_STS2	0	
	5	GP6_STS2	0	
	4	GP5_STS2	0	
	3	GP4_STS2	0	
	2	GP3_STS2	0	
1	GP2_STS2	0		
0	GP1_STS2	0		

Table 4-106. Interrupt 2 Control Registers (Cont.)

Register Address	Bit	Label	Default	Description
R6545 (0x1991) IRQ2_Raw_ Status_18	15	GP32_STS2	0	GPIO n Input status Reads back the logic level of GPIO n . Only valid for pins configured as GPIO input (does not include DSPGPIO inputs).
	14	GP31_STS2	0	
	13	GP30_STS2	0	
	12	GP29_STS2	0	
	11	GP28_STS2	0	
	10	GP27_STS2	0	
	9	GP26_STS2	0	
	8	GP25_STS2	0	
	7	GP24_STS2	0	
	6	GP23_STS2	0	
	5	GP22_STS2	0	
	4	GP21_STS2	0	
	3	GP20_STS2	0	
	2	GP19_STS2	0	
	1	GP18_STS2	0	
	0	GP17_STS2	0	
R6546 (0x1992) IRQ2_Raw_ Status_19	15	GP38_STS2	0	GPIO n Input status Reads back the logic level of GPIO n . Only valid for pins configured as GPIO input (does not include DSPGPIO inputs).
	14	GP37_STS2	0	
	13	GP36_STS2	0	
	12	GP35_STS2	0	
	11	GP34_STS2	0	
	10	GP33_STS2	0	
R6549 (0x1995) IRQ2_Raw_ Status_22	7	EVENT8_NOT_EMPTY_STS2	0	Event Log n FIFO Not-Empty status 0 = FIFO Empty 1 = FIFO Not Empty
	6	EVENT7_NOT_EMPTY_STS2	0	
	5	EVENT6_NOT_EMPTY_STS2	0	
	4	EVENT5_NOT_EMPTY_STS2	0	
	3	EVENT4_NOT_EMPTY_STS2	0	
	2	EVENT3_NOT_EMPTY_STS2	0	
	1	EVENT2_NOT_EMPTY_STS2	0	
	0	EVENT1_NOT_EMPTY_STS2	0	
R6550 (0x1996) IRQ2_Raw_ Status_23	7	EVENT8_FULL_STS2	0	Event Log n FIFO Full status 0 = FIFO Not Full 1 = FIFO Full
	6	EVENT7_FULL_STS2	0	
	5	EVENT6_FULL_STS2	0	
	4	EVENT5_FULL_STS2	0	
	3	EVENT4_FULL_STS2	0	
	2	EVENT3_FULL_STS2	0	
	1	EVENT2_FULL_STS2	0	
	0	EVENT1_FULL_STS2	0	
R6551 (0x1997) IRQ2_Raw_ Status_24	7	EVENT8_WMARK_STS2	0	Event Log n FIFO Watermark status 0 = FIFO Watermark not reached 1 = FIFO Watermark reached
	6	EVENT7_WMARK_STS2	0	
	5	EVENT6_WMARK_STS2	0	
	4	EVENT5_WMARK_STS2	0	
	3	EVENT4_WMARK_STS2	0	
	2	EVENT3_WMARK_STS2	0	
	1	EVENT2_WMARK_STS2	0	
	0	EVENT1_WMARK_STS2	0	
R6552 (0x1998) IRQ2_Raw_ Status_25	6	DSP7_DMA_STS2	0	DSP n DMA status 0 = Normal 1 = All enabled WDMA buffers filled, and all enabled RDMA buffers emptied
	5	DSP6_DMA_STS2	00	
	4	DSP5_DMA_STS2	00	
	3	DSP4_DMA_STS2	00	
	2	DSP3_DMA_STS2	00	
	1	DSP2_DMA_STS2	00	
0	DSP1_DMA_STS2	00		

Table 4-106. Interrupt 2 Control Registers (Cont.)

Register Address	Bit	Label	Default	Description
R6557 (0x199D)	6	DSP7_BUSY_STS2	0	DSP n Busy status 0 = DSP Idle 1 = DSP Busy
IRQ2_Raw_Status_30	5	DSP6_BUSY_STS2	0	
	4	DSP5_BUSY_STS2	0	
	3	DSP4_BUSY_STS2	0	
	2	DSP3_BUSY_STS2	0	
	1	DSP2_BUSY_STS2	0	
	0	DSP1_BUSY_STS2	0	

The IRQ output and polarity control registers are described in [Table 4-107](#).

Table 4-107. Interrupt Control Registers

Register Address	Bit	Label	Default	Description
R6784 (0x1A80) IRQ1_CTRL	11	IM_IRQ1	0	IRQ1 Output Interrupt mask. 0 = Do not mask interrupt. 1 = Mask interrupt.
	10	IRQ_POL	1	IRQ Output Polarity Select 0 = Noninverted (Active High) 1 = Inverted (Active Low)
	9	IRQ_OP_CFG	0	IRQ Output Configuration 0 = CMOS 1 = Open drain
R6786 (0x1A82) IRQ2_CTRL	11	IM_IRQ2	0	IRQ2 Output Interrupt mask. 0 = Do not mask interrupt. 1 = Mask interrupt.
R6816 (0x1AA0) Interrupt_Raw_Status_1	1	IRQ2_STS	0	IRQ2 Status. IRQ2_STS is the logical OR of all unmasked x_EINT2 interrupts. 0 = Not asserted 1 = Asserted
	0	IRQ1_STS	0	IRQ1 Status. IRQ1_STS is the logical OR of all unmasked x_EINT1 interrupts. 0 = Not asserted 1 = Asserted

4.17 Clocking and Sample Rates

The CS47L90 requires a clock reference for its internal functions and also for the input (ADC) paths, output (DAC) paths, and digital audio interfaces. Under typical clocking configurations, all commonly used audio sample rates can be derived directly from the external reference; for additional flexibility, the CS47L90 incorporates three FLL circuits to perform frequency conversion and filtering.

External clock signals may be connected via MCLK1 and MCLK2. These inputs are referenced to the DBVDD1 and DBVDD2 power domains respectively. In AIF Slave Modes, the BCLK signals may be used as a reference for the system clocks. The SLIMbus interface can provide the clock reference, when used as the input to one of the FLLs. To avoid audible glitches, all clock configurations must be set up before enabling playback.

4.17.1 System Clocking Overview

The CS47L90 supports three primary clock domains—SYSCLK, ASYNCCLK, and DSPCLK.

The SYSCLK and ASYNCCLK clock domains are the reference clocks for all the audio signal paths on the CS47L90. Up to five different sample rates may be independently selected for specific audio interfaces and other input/output signal paths; each selected sample rate must be synchronized either to SYSCLK or to ASYNCCLK, as described in [Section 4.17.2](#).

The SYSCLK and ASYNCCLK clock domains are independent (i.e., not synchronized). Stereo full-duplex sample-rate conversion is supported, allowing asynchronous audio data to be mixed and to be routed between independent interfaces. See [Section 4.3](#) for further details.

The DSPCLK clock domain is the reference clock for the programmable DSP cores on the CS47L90. A wide range of DSPCLK frequencies can be supported, and a programmable clock divider is provided for each DSP core, allowing the DSP clocking (and power consumption) to be optimized according to the applicable processing requirements of each DSP core. See [Section 4.3](#) for further details.

Note that there is no requirement for DSPCLK to be synchronized to SYSCLK or ASYNCCLK. The DSPCLK controls the software execution in the DSP cores; audio outputs from the DSP cores are synchronized either to SYSCLK or ASYNCCLK, regardless of the applicable DSPCLK rate.

Excluding the DSP cores, each subsystem within the CS47L90 digital core is clocked at a dynamically controlled rate, limited by the SYSCLK (or ASYNCCLK) frequency, as applicable. For maximum signal mixing and processing capacity, it is recommended that the highest possible SYSCLK and ASYNCCLK frequencies are configured.

The DSP cores are clocked at the DSPCLK rate (or supported divisions of the DSPCLK frequency). The DSPCLK configuration must ensure that sufficient clock cycles are available for the processing requirements of each DSP core. The requirements vary, according to the particular software that is in use.

4.17.2 Sample-Rate Control

The CS47L90 supports two independent clock domains for the audio signal paths, referenced to SYSCLK and ASYNCCLK respectively.

Different sample rates may be selected for each of the audio interfaces (AIF1, AIF2, AIF3, AIF4, SLIMbus), and for the input (ADC) and output (DAC) paths. Each of these must be referenced either to SYSCLK or to ASYNCCLK. (Note that the SLIMbus interface supports multiple sample rates, selected independently for each input or output channel.)

Up to three different sample rates can be selected using `SAMPLE_RATE_1`, `SAMPLE_RATE_2` and `SAMPLE_RATE_3`. These must each be numerically related to each other and to the SYSCLK frequency (further details of these requirements are provided in [Table 4-108](#) and the accompanying text).

The remaining two sample rates can be selected using `ASYNC_SAMPLE_RATE_1` and `ASYNC_SAMPLE_RATE_2`. These sample rates must be numerically related to each other and to the ASYNCCLK frequency (further details of these requirements are provided in [Table 4-109](#) and the accompanying text),

Each of the audio interfaces, input paths, and output paths is associated with one of the sample rates selected by the `SAMPLE_RATE_n` or `ASYNC_SAMPLE_RATE_n` fields.

Note that if any two interfaces are operating at the same sample rate, but are not synchronized, one of these must be referenced to the ASYNCCLK domain, and the other to the SYSCLK domain.

When any of the `SAMPLE_RATE_n` or `ASYNC_SAMPLE_RATE_n` fields is written to, the activation of the new setting is automatically synchronized by the CS47L90 to ensure continuity of all active signal paths. The `SAMPLE_RATE_n_STS` and `ASYNC_SAMPLE_RATE_n_STS` bits provide indication of the sample rate selections that have been implemented.

The following restrictions must be observed regarding the sample-rate control configuration:

- The input (ADC/DMIC) and output (DAC) signal paths must always be associated with the SYSCLK clocking domain.
- All external clock references (MCLK input or Slave Mode AIF input) must be within 1% of the applicable register field settings.
- The input (ADC/DMIC) sample rates are valid from 8–192 kHz. If 384- or 768-kHz DMIC clock rate is selected, the supported sample rate for the respective paths is restricted as described in [Table 4-1](#). The sample rate for the input signal paths can be set globally, or can be configured independently for each input channel—see [Section 4.2.5](#).
- The S/PDIF sample rate is valid from 32–192 kHz.
- The asynchronous sample-rate converters (ASRCs) support sample rates 8–192 kHz. For each ASRC, the ratio of the two sample rates must not exceed 6.
- The isochronous sample-rate converters (ISRCs) support sample rates 8–192 kHz. For each ISRC, the higher sample rate must be an integer multiple of the lower rate.

4.17.3 Automatic Sample-Rate Detection

The CS47L90 supports automatic sample-rate detection on the digital audio interfaces (AIF1–AIF4). Note that this is only possible when the respective interface is operating in Slave Mode (i.e., when LRCLK and BCLK are inputs to the CS47L90).

Automatic sample-rate detection is enabled by setting RATE_EST_ENA. The LRCLK input pin selected for sample-rate detection is set using LRCLK_SRC.

As many as four audio sample rates can be configured for automatic detection; these sample rates are selected using the SAMPLE_RATE_DETECT_*n* fields. Note that the function only detects sample rates that match one of the SAMPLE_RATE_DETECT_*n* fields.

If one of the selected audio sample rates is detected on the selected LRCLK input, the control-write sequencer is triggered. A unique sequence of actions may be programmed for each detected sample rate. Note that the applicable control sequences must be programmed by the user for each detection outcome; see [Section 4.19](#).

The TRIG_ON_STARTUP bit controls whether the sample-rate detection circuit responds to the initial detection of the applicable interface (i.e., when the AIF n interface starts up).

- If TRIG_ON_STARTUP = 0, the detection circuit only responds (i.e., trigger the control-write sequencer) to a change in the detected sample rate—the initial sample-rate detection is ignored. (Note that the initial sample-rate detection is the first detection of a sample rate that matches one of the SAMPLE_RATE_DETECT_*n* fields.)
- If TRIG_ON_STARTUP = 1, the detection circuit triggers the control-write sequencer whenever a selected sample rate is detected, including when the AIF interface starts up, or when the sample-rate detection is first enabled.

As described above, setting TRIG_ON_STARTUP = 0 is designed to inhibit any response to the initial detection of a sample rate that matches one of the SAMPLE_RATE_DETECT_*n* fields. Note that, if the LRCLK_SRC setting is changed, or if the detection function is disabled and reenabled, a subsequent detection of a matching sample rate may trigger the control-write sequencer, regardless of the TRIG_ON_STARTUP setting.

There are some restrictions to be observed regarding the automatic sample-rate detection configuration, as noted in the following:

- The same sample rate must not be selected on more than one of the SAMPLE_RATE_DETECT_*n* fields.
- Sample rates 192 kHz and 176.4 kHz must not be selected concurrently.
- Sample rates 96 kHz and 88.2 kHz must not be selected concurrently.

The control registers associated with the automatic sample-rate detection function are described in [Table 4-110](#).

4.17.4 System Clock Configuration

The system clocks (SYSCLK, ASYNCCLK, and DSPCLK) may be provided directly from external inputs (MCLK, or Slave Mode BCLK inputs). Alternatively, these clocks can be derived using the integrated FLLs, with MCLK, BCLK, LRCLK or SLIMCLK as a reference. Each clock is configured independently, as described in the following sections.

The SYSCLK (and ASYNCCLK, when applicable) clocks must be configured and enabled before any audio path is enabled. The DSPCLK clock must be configured and enabled, if running firmware applications on any of the DSP cores.

4.17.4.1 SYSCLK Configuration

The required SYSCLK frequency is dependent on the SAMPLE_RATE_*n* fields. [Table 4-108](#) illustrates the valid SYSCLK frequencies for every supported sample rate.

The SYSCLK frequency must be valid for all of the SAMPLE_RATE_*n* fields. It follows that all of the SAMPLE_RATE_*n* fields must select numerically-related values, that is, all from the same group of sample rates as represented in [Table 4-108](#).

Table 4-108. SYSCLK Frequency Selection

SYSCLK Frequency (MHz)	SYSCLK_FREQ	SYSCLK_FRAC	Sample Rate (kHz)	SAMPLE_RATE_n	
6.144	000	0	12	0x01	
12.288	001		24	0x02	
24.576	010		48	0x03	
49.152	011		96	0x04	
98.304	100		192	0x05	
			8	0x11	
			16	0x12	
			32	0x13	
5.6448	000		1	11.025	0x09
11.2896	001			22.05	0x0A
22.5792	010	44.1		0x0B	
45.1584	011	88.2		0x0C	
90.3168	100	176.4		0x0D	

Note: The SAMPLE_RATE_n fields must each be set to a value from the same group of sample rates, and from the same group as the SYSCLK frequency.

SYSCLK_SRC is used to select the SYSCLK source, as described in [Table 4-110](#). The source may be MCLK_n, AIF_nBCLK, or FLL_n. If an FLL circuit is selected as the source, the relevant FLL must be enabled and configured, as described in [Section 4.17.8](#) and [Section 4.17.9](#).

Note: If FLL_AO is selected as SYSCLK source, two different clock frequencies are available—the loop frequency (45–50 MHz) or a higher frequency (loop frequency multiplied by 2). If either of these clocks is the SYSCLK source, the respective FLL must be enabled and configured. FLL_AO_FREQ must be configured for the applicable (loop) frequency.

SYSCLK_FREQ and SYSCLK_FRAC must be set according to the frequency of the selected SYSCLK source.

The SYSCLK-referenced circuits within the digital core are clocked at a dynamically controlled rate this is limited by the SYSCLK frequency. For maximum signal mixing and processing capacity, the highest possible SYSCLK frequency should be used.

The SAMPLE_RATE_n fields are set according to the sample rates that are required by one or more of the CS47L90 audio interfaces. The CS47L90 supports sample rates ranging from 8–192 kHz.

The SYSCLK signal is enabled by setting SYSCLK_ENA. The applicable clock source (MCLK_n, AIF_nBCLK, or FLL_n) must be enabled before setting SYSCLK_ENA. This bit should be cleared before stopping or removing the applicable clock source.

The CS47L90 supports seamless switching between clock sources. To change the SYSCLK configuration while SYSCLK is enabled, the SYSCLK_FRAC, SYSCLK_FREQ, and SYSCLK_SRC fields must be updated together in one register write operation. Note that, if changing the frequency only (not the source), SYSCLK_ENA should be cleared before the clock frequency is updated. The current SYSCLK frequency and source can be read from the SYSCLK_FREQ_STS and SYSCLK_SRC_STS fields respectively.

Note: Changing SYSCLK source may cause audible glitches on the IN_n and OUT_n signal paths. Accordingly, it is recommended to mute all IN_n and OUT_n signal paths before changing SYSCLK source. All other signal paths on the CS47L90 are unaffected by on-the-fly switching of the SYSCLK source.

To switch between different external clock sources without interruption to the IN_n and OUT_n signal paths, one of the FLLs must be selected as the SYSCLK source and the clock reference selection must be implemented by reconfiguring the FLL. See [Section 4.17.8.2](#) and [Section 4.17.9.2](#) for FLL configuration requirements.

The CS47L90 performs automatic checks to confirm that the SYSCLK frequency is high enough to support the commanded signal paths and processing functions. If the frequency is too low, an attempt to enable a signal path or processing function fails. Note that active signal paths are not affected under such circumstances.

The SYSCLK frequency check provides input to the interrupt-control circuit and can be used to trigger an interrupt event if the frequency is not high enough to support the commanded functionality; see [Section 4.16](#).

4.17.4.2 ASYNCCLK Configuration

The required ASYNCCLK frequency is dependent on the ASYNC_SAMPLE_RATE_*n* fields. [Table 4-109](#) illustrates the valid ASYNCCLK frequencies for every supported sample rate.

Note that, if all the sample rates in the system are synchronized to SYSCLK, the ASYNCCLK should be disabled (see [Table 4-110](#)). The associated register field values are not important in this case.

Table 4-109. ASYNCCLK Frequency Selection

ASYNCCLK Frequency (MHz)	ASYNC_CLK_FREQ	Sample Rate (kHz)	ASYNC_SAMPLE_RATE_ <i>n</i>
6.144	000	12	0x01
12.288	001	24	0x02
24.576	010	48	0x03
49.152	011	96	0x04
98.304	100	192	0x05
		8	0x11
		16	0x12
		32	0x13
5.6448	000	11.025	0x09
11.2896	001	22.05	0x0A
22.5792	010	44.1	0x0B
45.1584	011	88.2	0x0C
90.3168	100	176.4	0x0D

Note: The ASYNC_SAMPLE_RATE_*n* fields must each be set to a value from the same group of sample rates, and from the same group as the ASYNCCLK frequency.

ASYNC_CLK_SRC is used to select the ASYNCCLK source, as described in [Table 4-110](#). The source may be MCLK*n*, AIF_{*n*}BCLK, or FLL*n*. If an FLL circuit is selected as the source, the relevant FLL must be enabled and configured, as described in [Section 4.17.8](#) and [Section 4.17.9](#).

Note: If FLL_AO is selected as ASYNCCLK source, two different clock frequencies are available—the loop frequency (45–50 MHz) or a higher frequency (loop frequency multiplied by 2). If either of these clocks is the ASYNCCLK source, the respective FLL must be enabled and configured. FLL_AO_FREQ must be configured for the applicable (loop) frequency.

ASYNC_CLK_FREQ is set according to the frequency of the selected ASYNCCLK source.

The ASYNCCLK-referenced circuits within the digital core are clocked at a dynamically controlled rate that is limited by the ASYNCCLK frequency. For maximum signal mixing and processing capacity, the highest possible ASYNCCLK frequency should be used.

The ASYNC_SAMPLE_RATE_*n* fields are set according to the sample rates of any audio interface that is not synchronized to the SYSCLK clock domain.

The ASYNCCLK signal is enabled by setting ASYNC_CLK_ENA. The applicable clock source (MCLK*n*, AIF_{*n*}BCLK, or FLL*n*) must be enabled before setting ASYNC_CLK_ENA. This bit should be cleared before stopping or removing the applicable clock source.

The CS47L90 supports seamless switching between clock sources. To change the ASYNCCLK configuration while ASYNCCLK is enabled, the ASYNC_CLK_FREQ and ASYNC_CLK_SRC fields must be updated together in one register write operation. Note that, if changing the frequency only (not the source), ASYNC_CLK_ENA should be cleared before the clock frequency is updated. The current ASYNCCLK frequency and source can be read from the ASYNC_CLK_FREQ_STS and ASYNC_CLK_SRC_STS fields respectively.

The CS47L90 performs automatic checks to confirm that the ASYNCCLK frequency is high enough to support the commanded signal paths and processing functions. If the frequency is too low, an attempt to enable a signal path or processing function fails. Note that active signal paths are not affected under such circumstances.

The ASYNCCLK frequency check provides input to the interrupt-control circuit and can be used to trigger an interrupt event if the frequency is not high enough to support the commanded functionality; see [Section 4.16](#).

4.17.4.3 DSPCLK Configuration

The required DSPCLK frequency depends on the requirements of firmware loaded on the DSP cores. The DSP cores are clocked at the DSPCLK rate or at supported divisions of the DSPCLK frequency; the DSPCLK configuration must ensure that sufficient clock cycles are available for the processing requirements of each DSP core. The requirements vary, according to the particular firmware that is in use.

A configurable clock divider is provided for each DSP core, allowing the DSP clocking (and power consumption) to be optimized according to the applicable processing requirements of each DSP core; see [Section 4.4](#) for details.

DSP_CLK_FREQ must be configured for the applicable DSPCLK frequency. This field is coded in LSB units of 1/64 MHz. Note that, if the field coding cannot represent the DSPCLK frequency exactly, the DSPCLK frequency must be rounded down in the DSP_CLK_FREQ field.

The suggested method for calculating DSP_CLK_FREQ is to multiply the DSPCLK frequency by 64, round down to the nearest integer, and use the resulting integer as DSP_CLK_FREQ (LSB = 1).

DSP_CLK_SRC is used to select the DSPCLK source, as described in [Table 4-110](#). The source may be MCLK n , AIF n BCLK, or FLL n . If an FLL circuit is selected as the source, the relevant FLL must be enabled and configured, as described in [Section 4.17.8](#) and [Section 4.17.9](#).

Note: If FLL1 or FLL2 is selected as DSPCLK source, the DSPCLK frequency is $F_{VCO} \times 1.5$. See [Section 4.17.8](#).

If FLL_AO is selected as DSPCLK source, two different clock frequencies are available—the loop frequency (45–50 MHz) or a higher frequency (loop frequency multiplied by 3). If using either of these clocks as the DSPCLK source, the respective FLL must be enabled and configured. FLL_AO_FREQ must be configured for the applicable (loop) frequency.

The DSPCLK signal is enabled by setting DSP_CLK_ENA. The applicable clock source (MCLK n , AIF n BCLK, or FLL n) must be enabled before setting DSP_CLK_ENA. This bit should be cleared when reconfiguring the clock sources.

The CS47L90 supports seamless switching between clock sources. To change the DSPCLK configuration while DSPCLK is enabled, the DSP_CLK_FREQ field must be updated before DSP_CLK_SRC. The new configuration becomes effective when the DSP_CLK_SRC field is written. Note that, if changing the frequency only (not the source), the DSP_CLK_ENA bit should be cleared before the clock frequency is updated. The current DSPCLK frequency and source can be read from the DSP_CLK_FREQ_STS and DSP_CLK_SRC_STS fields respectively.

In a typical application, DSPCLK and SYSCLK are derived from a single FLL source. Note that there is no requirement for DSPCLK to be synchronized to SYSCLK or ASYNCCLK. The DSPCLK controls the software execution in the DSP cores; audio outputs from the DSP cores are synchronized either to SYSCLK or ASYNCCLK, regardless of the applicable DSPCLK rate.

Under specific conditions, the CS47L90 can provide clocking to the DSP cores when DSPCLK is disabled. This capability is supported using the always-on FLL (FLL_AO), either in Free-Running Mode or locked to a valid clock reference. See [Section 4.4.3](#) for further details.

4.17.5 Miscellaneous Clock Controls

The CS47L90 incorporates a 32-kHz clock circuit, which is required for input signal debounce, microphone/accessory detect, and for the Charge Pump 2 (CP2) circuits. The 32-kHz clock must be configured and enabled whenever any of these features are in use.

The 32-kHz clock can be generated automatically from SYSCLK, or may be input directly as MCLK1 or MCLK2. The 32-kHz clock source is selected using CLK_32K_SRC. The 32-kHz clock is enabled by setting CLK_32K_ENA.

A clock output (OPCLK) derived from SYSCLK can be output on a GPIO pin. A clock output (OPCLK_ASYNC) derived from ASYNCCLK can be output on a GPIO pin. See [Section 4.15](#) for details on configuring a GPIO pin for these functions.

The CS47L90 provides integrated pull-down resistors on the MCLK1 and MCLK2 pins. This provides a flexible capability for interfacing with other devices.

The clocking scheme for the CS47L90 is shown in [Fig. 4-63](#).

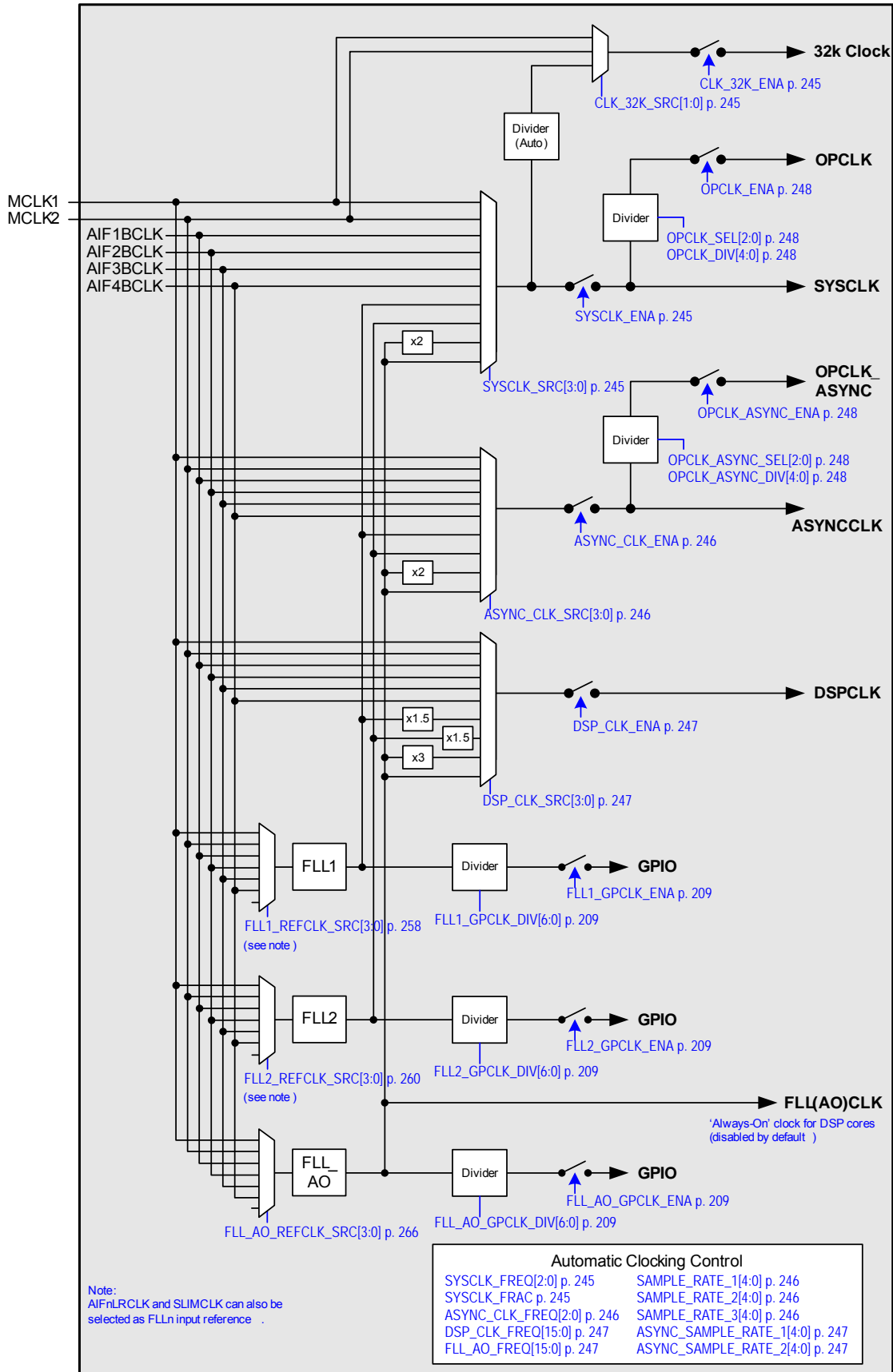


Figure 4-63. System Clocking

The CS47L90 clocking control registers are described in [Table 4-110](#).

Table 4-110. Clocking Control

Register Address	Bit	Label	Default	Description
R256 (0x0100) Clock_32k_1	6	CLK_32K_ENA	0	32kHz Clock Enable 0 = Disabled 1 = Enabled
	1:0	CLK_32K_SRC[1:0]	10	32kHz Clock Source 00 = MCLK1 (direct) 01 = MCLK2 (direct) 10 = SYSCLK (automatically divided) 11 = Reserved
R257 (0x0101) System_Clock_1	15	SYSCLK_FRAC	0	SYSCLK Frequency 0 = SYSCLK is a multiple of 6.144MHz 1 = SYSCLK is a multiple of 5.6448MHz
	10:8	SYSCLK_FREQ[2:0]	100	SYSCLK Frequency 000 = 6.144 MHz (5.6448 MHz) 001 = 12.288 MHz (11.2896 MHz) 010 = 24.576 MHz (22.5792 MHz) 011 = 49.152 MHz (45.1584 MHz) 100 = 98.304 MHz (90.3168 MHz) All other codes are reserved The frequencies in brackets apply for 44.1 kHz–related sample rates only (i.e., SAMPLE_RATE_n = 01XXX).
	6	SYSCLK_ENA	0	SYSCLK Control 0 = Disabled 1 = Enabled SYSCLK should only be enabled after the applicable clock source has been configured and enabled. Clear this bit before stopping the reference clock or changing the reference clock frequency. Note that the SYSCLK frequency can be changed without disabling, provided the clock source is also changed at the same time.
	3:0	SYSCLK_SRC[3:0]	0100	SYSCLK Source 0000 = MCLK1 0001 = MCLK2 0100 = FLL1 0101 = FLL2 0111 = FLL_AO (x2) 1000 = AIF1BCLK 1001 = AIF2BCLK 1010 = AIF3BCLK 1011 = AIF4BCLK 1111 = FLL_AO All other codes are reserved

Table 4-110. Clocking Control (Cont.)

Register Address	Bit	Label	Default	Description
R258 (0x0102) Sample_rate_1	4:0	SAMPLE_RATE_1[4:0]	0x11	Sample Rate 1 Select 0x00 = None 0x01 = 12 kHz 0x02 = 24 kHz 0x03 = 48 kHz 0x04 = 96 kHz 0x05 = 192 kHz 0x09 = 11.025 kHz 0x0A = 22.05 kHz 0x0B = 44.1 kHz 0x0C = 88.2 kHz 0x0D = 176.4 kHz 0x11 = 8 kHz 0x12 = 16 kHz 0x13 = 32 kHz All other codes are reserved
R259 (0x0103) Sample_rate_2	4:0	SAMPLE_RATE_2[4:0]	0x11	Sample Rate 2 Select Field coding is same as SAMPLE_RATE_1.
R260 (0x0104) Sample_rate_3	4:0	SAMPLE_RATE_3[4:0]	0x11	Sample Rate 3 Select Field coding is same as SAMPLE_RATE_1.
R266 (0x010A) Sample_rate_1_status	4:0	SAMPLE_RATE_1_STS[4:0]	0x00	Sample Rate 1 Status (Read only) Field coding is same as SAMPLE_RATE_1.
R267 (0x010B) Sample_rate_2_status	4:0	SAMPLE_RATE_2_STS[4:0]	0x00	Sample Rate 2 Status (Read only) Field coding is same as SAMPLE_RATE_1.
R268 (0x010C) Sample_rate_3_status	4:0	SAMPLE_RATE_3_STS[4:0]	0x00	Sample Rate 3 Status (Read only) Field coding is same as SAMPLE_RATE_1.
R274 (0x0112) Async_clock_1	10:8	ASYNC_CLK_FREQ[2:0]	011	ASYNCCLK Frequency 000 = 6.144 MHz (5.6448 MHz) 001 = 12.288 MHz (11.2896 MHz) 010 = 24.576 MHz (22.5792 MHz) 011 = 49.152 MHz (45.1584 MHz) 100 = 98.304 MHz (90.3168 MHz) All other codes are reserved The frequencies in brackets apply for 44.1 kHz–related sample rates only (i.e., ASYNC_SAMPLE_RATE_n = 01XXX).
	6	ASYNC_CLK_ENA	0	ASYNCCLK Control 0 = Disabled 1 = Enabled ASYNCCLK should only be enabled after the applicable clock source has been configured and enabled. Clear this bit before stopping the reference clock or changing the reference clock frequency. Note that the ASYNCCLK frequency can be changed without disabling, provided the clock source is also changed at the same time.
	3:0	ASYNC_CLK_SRC[3:0]	0101	ASYNCCLK Source 0000 = MCLK1 0001 = MCLK2 0100 = FLL1 0101 = FLL2 0111 = FLL_AO (x2) 1000 = AIF1BCLK 1001 = AIF2BCLK 1010 = AIF3BCLK 1011 = AIF4BCLK 1111 = FLL_AO All other codes are reserved

Table 4-110. Clocking Control (Cont.)

Register Address	Bit	Label	Default	Description
R275 (0x0113) Async_sample_rate_1	4:0	ASYNC_SAMPLE_RATE_1[4:0]	0x11	ASYNC Sample Rate 1 Select 0x00 = None 0x01 = 12 kHz 0x02 = 24 kHz 0x03 = 48 kHz 0x04 = 96 kHz 0x05 = 192 kHz 0x09 = 11.025 kHz 0x0A = 22.05 kHz 0x0B = 44.1 kHz 0x0C = 88.2 kHz 0x0D = 176.4 kHz 0x11 = 8 kHz 0x12 = 16 kHz 0x13 = 32 kHz All other codes are reserved
R276 (0x0114) Async_sample_rate_2	4:0	ASYNC_SAMPLE_RATE_2[4:0]	0x11	ASYNC Sample Rate 2 Select Field coding is same as ASYNC_SAMPLE_RATE_1.
R283 (0x011B) Async_sample_rate_1_status	4:0	ASYNC_SAMPLE_RATE_1_STS[4:0]	0x00	ASYNC Sample Rate 1 Status (Read only) Field coding is same as ASYNC_SAMPLE_RATE_1.
R284 (0x011C) Async_sample_rate_2_status	4:0	ASYNC_SAMPLE_RATE_2_STS[4:0]	0x00	ASYNC Sample Rate 2 Status (Read only) Field coding is same as ASYNC_SAMPLE_RATE_1.
R288 (0x0120) DSP_Clock_1	6	DSP_CLK_ENA	0	DSPCLK Control 0 = Disabled 1 = Enabled DSPCLK should only be enabled after the applicable clock source has been configured and enabled. Clear this bit before stopping the reference clock or changing the reference clock frequency. Note that the DSPCLK frequency can be changed without disabling, provided the clock source is also changed at the same time.
	3:0	DSP_CLK_SRC[3:0]	0101	DSPCLK Source 0000 = MCLK1 0001 = MCLK2 0100 = FLL1 (x1.5) 0101 = FLL2 (x1.5) 0111 = FLL_AO (x3) 1000 = AIF1BCLK 1001 = AIF2BCLK 1010 = AIF3BCLK 1011 = AIF4BCLK 1111 = FLL_AO All other codes are reserved
R290 (0x0122) DSP_Clock_2	15:0	DSP_CLK_FREQ[15:0]	0x0000	DSPCLK Frequency Coded as LSB = 1/64 MHz, Valid from 5.6 MHz to 148 MHz. Note that, if this field is written while DSPCLK is enabled, the new frequency does not become effective until DSP_CLK_SRC is updated. To reconfigure DSPCLK while DSPCLK is enabled, the DSP_CLK_FREQ field must be updated before DSP_CLK_SRC.
R292 (0x0124) DSP_Clock_3	15:0	FLL_AO_FREQ[15:0]	0x0000	FLL_AO Frequency Coded as LSB = 1/64 MHz, Valid from 45 MHz to 50 MHz.
R294 (0x0126) DSP_Clock_4	15:0	DSP_CLK_FREQ_STS[15:0]	0x0000	DSPCLK Frequency (Read only) Coded as LSB = 1/64 MHz.

Table 4-110. Clocking Control (Cont.)

Register Address	Bit	Label	Default	Description
R295 (0x0127) DSP_Clock_5	3:0	DSP_CLK_SRC_STS[3:0]	0101	DSPCLK Source (Read only) 0000 = MCLK1 0001 = MCLK2 0100 = FLL1 (x1.5) 0101 = FLL2 (x1.5) 0111 = FLL_AO (x3) 1000 = AIF1BCLK 1001 = AIF2BCLK 1010 = AIF3BCLK 1011 = AIF4BCLK 1111 = FLL_AO
R329 (0x0149) Output_system_clock	15	OPCLK_ENA	0	OPCLK Enable 0 = Disabled 1 = Enabled
	7:3	OPCLK_DIV[4:0]	0x00	OPCLK Divider 0x02 = Divide by 2 0x04 = Divide by 4 0x06 = Divide by 6 ... (even numbers only) 0x1E = Divide by 30 Note that only even numbered divisions (2, 4, 6, etc.) are valid selections. All other codes are reserved when the OPCLK signal is enabled.
	2:0	OPCLK_SEL[2:0]	000	OPCLK Source Frequency 000 = 6.144 MHz (5.6448 MHz) 001 = 12.288 MHz (11.2896 MHz) 010 = 24.576 MHz (22.5792 MHz) 011 = 49.152 MHz (45.1584 MHz) All other codes are reserved The frequencies in brackets apply for 44.1 kHz–related SYSCLK rates only (i.e., SAMPLE_RATE_n = 01XXX). The OPCLK Source Frequency must be less than or equal to the SYSCLK frequency.
R330 (0x014A) Output_async_clock	15	OPCLK_ASYNC_ENA	0	OPCLK_ASYNC Enable 0 = Disabled 1 = Enabled
	7:3	OPCLK_ASYNC_DIV[4:0]	0x00	OPCLK_ASYNC Divider 0x02 = Divide by 2 0x04 = Divide by 4 0x06 = Divide by 6 ... (even numbers only) 0x1E = Divide by 30 Note that only even numbered divisions (2, 4, 6, etc.) are valid selections. All other codes are reserved when the OPCLK_ASYNC signal is enabled.
	2:0	OPCLK_ASYNC_SEL[2:0]	000	OPCLK_ASYNC Source Frequency 000 = 6.144 MHz (5.6448 MHz) 001 = 12.288 MHz (11.2896 MHz) 010 = 24.576 MHz (22.5792 MHz) 011 = 49.152 MHz (45.1584 MHz) All other codes are reserved The frequencies in brackets apply for 44.1 kHz–related ASYNCCLK rates only (i.e., ASYNC_SAMPLE_RATE_n = 01XXX). The OPCLK_ASYNC Source Frequency must be less than or equal to the ASYNCCLK frequency.

Table 4-110. Clocking Control (Cont.)

Register Address	Bit	Label	Default	Description
R334 (0x014E) Clock_Gen_Pad_Ctrl	8	MCLK2_PD	0	MCLK2 Pull-Down Control 0 = Disabled 1 = Enabled
	7	MCLK1_PD	0	MCLK1 Pull-Down Control 0 = Disabled 1 = Enabled
R338 (0x0152) Rate_Estimator_1	4	TRIG_ON_STARTUP	0	Automatic Sample-Rate Detection Start-Up select 0 = Do not trigger Write Sequencer on initial detection 1 = Always trigger the Write Sequencer on sample-rate detection
	3:1	LRCLK_SRC[2:0]	000	Automatic Sample-Rate Detection source 000 = AIF1LRCLK 010 = AIF2LRCLK 100 = AIF3LRCLK 110 = AIF4LRCLK All other codes are reserved
	0	RATE_EST_ENA	0	Automatic Sample-Rate Detection control 0 = Disabled 1 = Enabled
R339 (0x0153) Rate_Estimator_2	4:0	SAMPLE_RATE_DETECT_A[4:0]	0x00	Automatic Detection Sample Rate A (Up to four different sample rates can be configured for automatic detection.) Field coding is same as SAMPLE_RATE_n.
R340 (0x0154) Rate_Estimator_3	4:0	SAMPLE_RATE_DETECT_B[4:0]	0x00	Automatic Detection Sample Rate B (Up to four different sample rates can be configured for automatic detection.) Field coding is same as SAMPLE_RATE_n.
R341 (0x0155) Rate_Estimator_4	4:0	SAMPLE_RATE_DETECT_C[4:0]	0x00	Automatic Detection Sample Rate C (Up to four different sample rates can be configured for automatic detection.) Field coding is same as SAMPLE_RATE_n.
R342 (0x0156) Rate_Estimator_5	4:0	SAMPLE_RATE_DETECT_D[4:0]	0x00	Automatic Detection Sample Rate D (Up to four different sample rates can be configured for automatic detection.) Field coding is same as SAMPLE_RATE_n.

Table 4-110. Clocking Control (Cont.)

Register Address	Bit	Label	Default	Description
R352 (0x0160) Clocking_debug_5	15:13	ASYNC_CLK_FREQ_STS[2:0]	000	ASYNCCLK Frequency (Read only) 000 = 6.144 MHz (5.6448 MHz) 001 = 12.288 MHz (11.2896 MHz) 010 = 24.576 MHz (22.5792 MHz) 011 = 49.152 MHz (45.1584 MHz) 100 = 98.304 MHz (90.3168 MHz) All other codes are reserved The frequencies in brackets apply for 44.1 kHz–related sample rates only (i.e., ASYNC_SAMPLE_RATE_n = 01XXX).
	12:9	ASYNC_CLK_SRC_STS[3:0]	0000	ASYNCCLK Source (Read only) 0000 = MCLK1 0001 = MCLK2 0100 = FLL1 0101 = FLL2 0111 = FLL_AO (x2) 1000 = AIF1BCLK 1001 = AIF2BCLK 1010 = AIF3BCLK 1011 = AIF4BCLK 1111 = FLL_AO All other codes are reserved
	6:4	SYSCLK_FREQ_STS[2:0]	000	SYSCLK Frequency (Read only) 000 = 6.144 MHz (5.6448 MHz) 001 = 12.288 MHz (11.2896 MHz) 010 = 24.576 MHz (22.5792 MHz) 011 = 49.152 MHz (45.1584 MHz) 100 = 98.304 MHz (90.3168 MHz) All other codes are reserved The frequencies in brackets apply for 44.1 kHz–related sample rates only (i.e., SAMPLE_RATE_n = 01XXX).
	3:0	SYSCLK_SRC_STS[3:0]	0000	SYSCLK Source (Read only) 0000 = MCLK1 0001 = MCLK2 0100 = FLL1 0101 = FLL2 0111 = FLL_AO (x2) 1000 = AIF1BCLK 1001 = AIF2BCLK 1010 = AIF3BCLK 1011 = AIF4BCLK 1111 = FLL_AO All other codes are reserved

In AIF Slave Modes, it is important to ensure that the applicable clock domain (SYSCLK or ASYNCCLK) is synchronized with the associated external LRCLK. This can be achieved by selecting an MCLK input that is derived from the same reference as the LRCLK, or can be achieved by selecting the external BCLK or LRCLK signal as a reference input to one of the FLLs, as a source for SYSCLK or ASYNCCLK.

If the AIF clock domain is not synchronized with the LRCLK, clicks arising from dropped or repeated audio samples occur, due to the inherent tolerances of multiple, asynchronous, system clocks. See [Section 5.4](#) for further details on valid clocking configurations.

4.17.6 BCLK and LRCLK Control

The digital audio interfaces (AIF1–AIF4) use BCLK and LRCLK signals for synchronization. In Master Mode, these are output signals, generated by the CS47L90. In Slave Mode, these are input signals to the CS47L90. It is also possible to support mixed master/slave operation.

The BCLK and LRCLK signals are controlled as shown in Fig. 4-64. See Section 4.8 for details of the associated control fields.

Note that the BCLK and LRCLK signals are synchronized to SYSCLK or ASYNCCLK, depending upon the applicable clock domain for the respective interface. See Section 4.3.14 for further details.

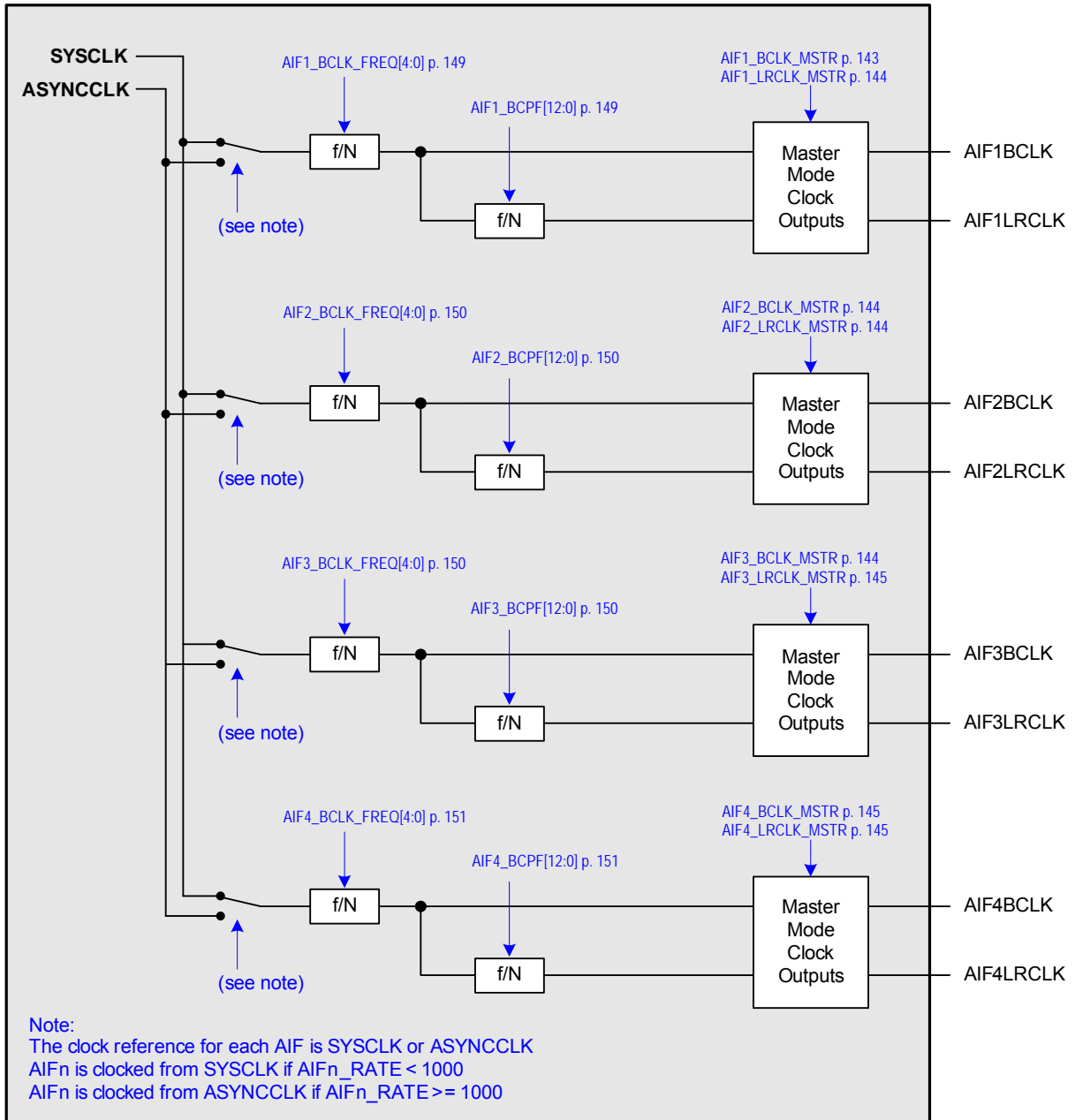


Figure 4-64. BCLK and LRCLK Control

4.17.7 Control Interface Clocking

Register map access is possible with or without a system clock—there is no requirement for SYSCLK, or any other system clock, to be enabled when accessing the register map. See Section 4.18 for details of control register access.

Timing specifications for each of the control interfaces are provided in Table 3-19–Table 3-21. In some applications, additional system-wide constraints must be observed to ensure control interface limits are not exceeded. These constraints need to be considered if any of the following conditions is true.

- SYSCLK is enabled and is < 22.5792 MHz
- Control-register access is scheduled at register address 0x8_0000 or above
- Control-register access is scheduled on more than one of the control interfaces simultaneously

The control interface limits vary depending on the system clock (SYSCLK or DSPCLK) configuration, the address of the control register access, and on which control interfaces are being used.

Table 4-111 describes valid system conditions for accessing the codec registers (below 0x8_0000). The control interfaces must operate within the limits represented by one of the permitted configurations shown, in accordance with the applicable SYSCLK frequency.

Table 4-111. Maximum SPI/SLIMbus Clock Speeds—Codec Register Access

SYSCLK Condition	SPI1	SPI2	SLIMbus	Description
SYSCLK is disabled, or SYSCLK ≥ 22.5792 MHz	26 MHz	26 MHz	27 MHz	Full concurrent SPI1/SPI2/SLIMbus capability for codec register access.
SYSCLK = 12.288 MHz	26 MHz	—	—	One high speed interface.
	—	26 MHz	—	
	—	—	27 MHz	
	24.576 MHz	24.576 MHz	—	Two SPI interfaces, no SLIMbus.
	13 MHz	—	24.576 MHz	One SPI interface, and SLIMbus.
	—	13 MHz	24.576 MHz	
	12 MHz	—	27 MHz	
	—	12 MHz	27 MHz	Two SPI interfaces, and SLIMbus.
	10 MHz	10 MHz	24.576 MHz	
9 MHz	9 MHz	27 MHz		
SYSCLK = 11.2896 MHz	26 MHz	—	—	One high speed interface.
	—	26 MHz	—	
	—	—	27 MHz	
	22.5792 MHz	22.5792 MHz	—	Two SPI interfaces, no SLIMbus.
	12 MHz	—	22.5792 MHz	One SPI interface, and SLIMbus.
	—	12 MHz	22.5792 MHz	
	9 MHz	—	27 MHz	
	—	9 MHz	27 MHz	Two SPI interfaces, and SLIMbus.
9 MHz	9 MHz	22.5792 MHz		
7 MHz	7 MHz	27 MHz		
SYSCLK < 11.2896 MHz	13 MHz	—	—	One high speed interface.
	—	13 MHz	—	
	—	—	27 MHz	

Notes:

- If SYSCLK < 11.2896 MHz, simultaneous register access via multiple control interfaces should not be attempted.
- If SYSCLK is disabled, full concurrent SPI1/SPI2/SLIMbus capability for codec register access is supported.
- The SPI interface limits noted above are only applicable if the SPI interface is accessing codec registers. Options shown with “—” in the SPI columns represent use cases where the respective SPIn interface is either unused, or is being used to access the DSP registers.
- The SLIMbus interface limits noted above are only applicable if multibyte burst transfers of more than 8 bytes are scheduled. Options shown with “—” in the SLIMbus column represent use cases where SLIMbus is either unused, or is configured to support any combination of audio channels, burst transfers ≤ 8 bytes, or bulk data transfer channels.
- Register access via the I²C interface is supported at all times, regardless of the SPI/SLIMbus loading.

Table 4-112 describes valid system conditions for accessing the DSP firmware registers (0x8_0000 and above). The control interfaces must operate within the limits represented by one of the permitted configurations shown, in accordance with the applicable DSPCLK frequency.

Table 4-112. Maximum SPI/SLIMbus Clock Speeds—DSP Firmware Register Access

DSPCLK Condition	SPI1	SPI2	SLIMbus	Description
DSPCLK is disabled, or DSPCLK ≥ 45 MHz	26 MHz	—	—	One high speed interface.
	—	26 MHz	—	
	—	—	27 MHz	
	26 MHz	26 MHz	—	Two SPI interfaces, no SLIMbus.
	26 MHz	—	24.576 MHz	One SPI interface, and SLIMbus.
	—	26 MHz	24.576 MHz	
	21 MHz	—	27 MHz	
	—	21 MHz	27 MHz	
	24.576 MHz ≤ DSPCLK < 45 MHz	16 MHz	16 MHz	24.576 MHz
14 MHz		14 MHz	27 MHz	
26 MHz		—	—	
24.576 MHz ≤ DSPCLK < 45 MHz	—	26 MHz	—	One high speed interface.
	—	—	24.576 MHz	
	13 MHz	13 MHz	—	
12.288 MHz ≤ DSPCLK < 24.576 MHz	13 MHz	—	—	One high speed interface.
	—	13 MHz	—	
	—	—	12.288 MHz	

Notes:

- If DSPCLK < 24.576MHz, simultaneous register access via multiple control interfaces should not be attempted.
- If DSPCLK is disabled, the valid configurations are the same as for DSPCLK ≥ 45MHz.
- The SPI interface limits noted above are only applicable if the SPI interface is accessing DSP registers. Options shown with “—” in the SPI column represent use cases where the respective SPIn interface is either unused, or is being used to access the codec registers.
- The SLIMbus interface limits noted above are only applicable if multibyte burst transfers of more than 8 bytes are scheduled. Options shown with “—” in the SLIMbus column represent use cases where SLIMbus is either unused, or is configured to support any combination of audio channels, burst transfers ≤ 8 bytes, or bulk data transfer channels.
- Register access via the I²C interface is supported at all times, regardless of the SPI/SLIMbus loading.

4.17.8 Frequency-Locked Loop (FLL1, FLL2)

Three integrated FLLs are provided to support the clocking requirements of the CS47L90. These can be configured according to the available reference clocks and the application requirements. The reference clock may use a high frequency (e.g., 12.288 MHz) or low frequency (e.g., 32.768 kHz). The FLL is tolerant of jitter and may be used to generate a stable output clock from a less stable input reference.

There are two FLL implementations on the CS47L90:

- FLL1 and FLL2 incorporate two subsystems in each—the main loop and the synchronizer loop—providing an advanced capability to use more than one reference clock to achieve best performance. FLL1 and FLL2 are described in the following subsections.
- FLL_AO is low-power FLL that supports additional always-on capability to provide system clocking when other references are unavailable or disabled. FLL_AO is described in [Section 4.17.9](#).

4.17.8.1 Overview

The FLL characteristics are summarized in [Table 3-11](#). In normal operation, the FLL output is frequency locked to an input clock reference. The FLL can be used to generate a free-running clock in the absence of any external reference, as described in [Section 4.17.8.7](#). Configurable spread-spectrum modulation can be applied to the FLL outputs, to control electro-magnetic interference (EMI) effects.

Each FLL comprises two subsystems—the main loop and the synchronizer loop; these can be used together to maintain best frequency accuracy and noise (jitter) performance across multiple use cases. The two-loop design enables the FLL to synchronize effectively to an input clock that may be intermittent or noisy, while also achieving the performance benefits of a stable clock reference that may be asynchronous to the audio data.

The main loop takes a constant and stable clock reference as its input. For best performance, a high-frequency (e.g., 12.288 MHz) reference is recommended. The main FLL loop is free running without any clock reference if the input signal is removed; it can also be configured to initiate an output in the absence of any reference signal.

The synchronizer loop takes a separate clock reference as its input. The synchronizer input may be intermittent (e.g., during voice calls only). The FLL uses the synchronizer input, when available, as the frequency reference. To achieve the designed performance advantage, the synchronizer input must be synchronous with the audio data.

Note that, if only a single clock input reference is used, this must be configured as the main FLL input reference. The synchronizer should be disabled in this case.

The synchronizer loop should only be used when the main loop clock reference is present. If the input reference to the main FLL is intermittent, or may be interrupted unexpectedly, the synchronizer should be disabled.

4.17.8.2 FLL Enable

The FLL is enabled by setting $FLLn_ENA$ (where $n = 1$ or 2 for the corresponding FLL). The FLL synchronizer is enabled by setting $FLLn_SYNC_ENA$.

Note that the other FLL fields should be configured before enabling the FLL; the $FLLn_ENA$ and $FLLn_SYNC_ENA$ bits should be set as the final step of the $FLLn$ enable sequence.

The FLL supports configurable free-running operation, using the $FLLn_FREERUN$ bits described in Section 4.17.8.7. Note that, once the FLL output has been established, the FLL is always free running if the input reference clock is stopped, regardless of the $FLLn_FREERUN$ bits.

To disable the FLL while the input reference clock has stopped, $FLLn_FREERUN$ must be set before clearing $FLLn_ENA$.

When changing FLL settings, it is recommended to disable the FLL by clearing the $FLLn_ENA$ bit before updating the other register fields. Some of the FLL configuration registers can be updated while the FLL is enabled, as described in Section 4.17.8.4. As a general rule, however, it is recommended to configure the FLL (and FLL Synchronizer, if applicable), before setting the corresponding x_ENA bits.

When changing the input reference frequency F_{REF} , the FLL should be reset by clearing the $FLLn_ENA$ bit before updating the affected register fields. If reconfiguration of the input reference is required and continuous operation of the FLL must be supported during the changeover, Free-Running Mode must be selected before updating the FLL configuration. A minimum delay of $32\mu s$ should be allowed between selecting Free-Running Mode and writing to the required FLL register fields. The $FLLn_FREERUN$ bit must remain set until after the FLL has been reconfigured.

The FLL configuration is shown in Fig. 4-65.

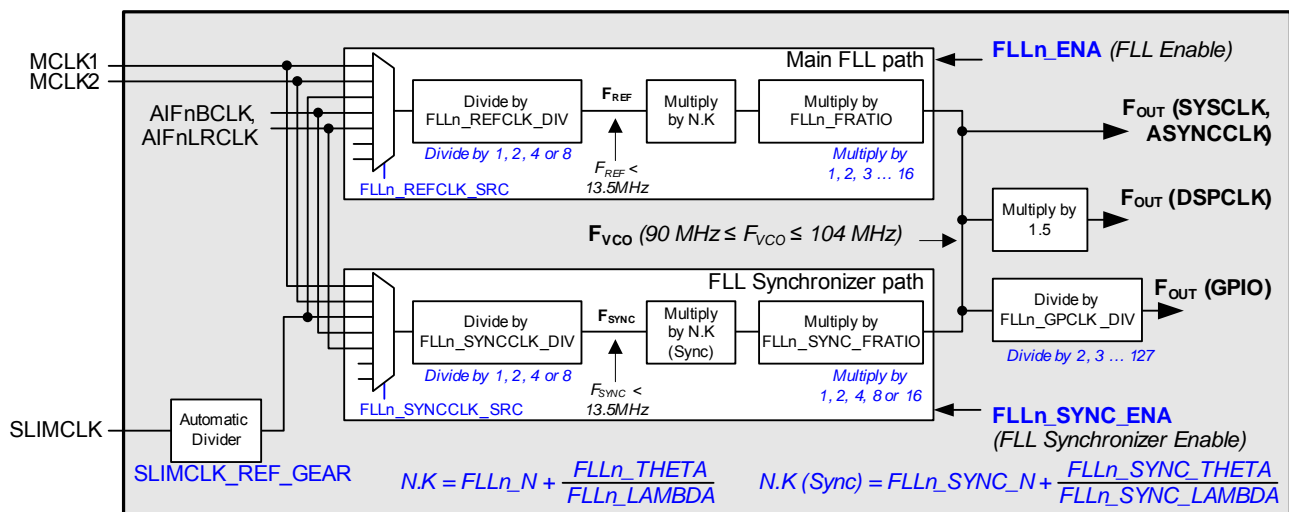


Figure 4-65. FLL1/FLL2 Configuration

The procedure for configuring the FLL is described in the following subsections. Note that the configuration of the main FLL path and the FLL synchronizer path are very similar. One or both paths must be configured, depending on the application requirements:

- If a single clock input reference is used, only the main FLL path should be used.
- If the input reference to the main FLL is intermittent, or may be interrupted unexpectedly, only the main FLL path should be used.
- If two clock input references are used, the constant or low-noise clock is configured on the main FLL path and the high-accuracy clock is configured on the FLL synchronizer path. Note that the synchronizer input must be synchronous with the audio data.

The following description is applicable to FLL1 and FLL2. The associated control fields are described in [Table 4-115](#) and [Table 4-116](#).

4.17.8.3 Input Frequency Control

The main input reference is selected using `FLLn_REFCLK_SRC`. The synchronizer input reference is selected using `FLLn_SYNCCLK_SRC`. The available options in each case are MCLK1, MCLK2, SLIMCLK, AIF_nBCLK, or AIF_nLRCLK.

The SLIMCLK reference is controlled by an adaptive divider on the external SLIMCLK input. The divider automatically adapts to the SLIMbus clock gear, to provide a constant reference frequency for the FLL—see [Section 4.11](#).

The `FLLn_REFCLK_DIV` field controls a programmable divider on the main input reference. The `FLLn_SYNCCLK_DIV` field controls a programmable divider on the synchronizer input reference. Each input can be divided by 1, 2, 4 or 8. The divider should be configured to bring each reference down to 13.5 MHz or below. For best performance, it is recommended that the highest possible frequency—within the 13.5 MHz limit—should be selected.

4.17.8.4 Output Frequency Control—Main Loop

The FLL output frequency, relative to the main input reference F_{REF} , is a function of the following:

- The FLL oscillator frequency, F_{VCO}
- The frequency ratio set by `FLLn_FRATIO`
- The real number represented by N.K. (N = integer; K = fractional portion)

The F_{VCO} frequency must be in the range 90–104 MHz.

If the FLL is selected as SYSCLK or ASYNCCLK source, the respective F_{VCO} frequency must be exactly 98.304 MHz (for 48 kHz–related sample rates) or 90.3168 MHz (for 44.1 kHz–related sample rates).

If the FLL is selected as DSPCLK source, the DSPCLK frequency is $F_{VCO} \times 1.5$. Note that the DSPCLK can be divided to lower clocking rates for each individual DSP.

The FLL clock can be configured as a GPIO output; a programmable divider supports division ratios in the range 2 through 127, enabling a wide range of GPIO clock output frequencies.

Note: The chosen F_{VCO} frequency can be used to support multiple outputs simultaneously (e.g., SYSCLK, DSPCLK, and GPIO), as shown in [Fig. 4-65](#).

The FLL oscillator frequency, F_{VCO} is set according to the following equation:

$$F_{VCO} = (F_{REF} \times N.K \times FLL_n_FRATIO)$$

The value of N.K can thus be determined as follows:

$$N.K = F_{VCO} / (FLL_n_FRATIO \times F_{REF})$$

It is recommended to calculate N.K using an initial assumption of `FLLn_FRATIO` = 1. If $N > 1023$, `FLLn_FRATIO` should be incremented until $N < 1024$.

Note that, in the above equations, the following interpretations are assumed:

- F_{REF} is the input frequency, after division by `FLLn_REFCLK_DIV`, where applicable

- FLL_n_FRATIO is the F_{VCO} clock ratio (1, 2, 3, ... 16)

The value of N is held in FLL_n_N.

The value of K is determined by the ratio FLL_n_THETA / FLL_n_LAMBDA. In fractional mode (FLL_n_THETA > 0), the FLL_n_THETA and FLL_n_LAMBDA fields can be derived as described in [Section 4.17.8.6](#).

The FLL_n_N, FLL_n_THETA, and FLL_n_LAMBDA fields are all coded as integers (LSB = 1).

The FLL_n_CTRL_UPD bit controls the updating of the FLL_n_N or FLL_n_THETA fields:

- If the FLL_n_N or FLL_n_THETA fields are updated while the FLL is enabled (FLL_n_ENA = 1), the new values are only effective when a 1 is written to FLL_n_CTRL_UPD. This makes it possible to update the two fields simultaneously, without disabling the FLL.

Note that, if the FLL is disabled (FLL_n_ENA = 0), the FLL_n_N and FLL_n_THETA fields can be updated without writing to FLL_n_CTRL_UPD.

The FLL_n_GAIN and FLL_n_PHASE_ENA fields should be set as shown in [Table 4-113](#), depending on F_{REF}, FLL_n_THETA, and whether the FLL synchronizer is enabled.

Note: When writing to the FLL_n_PHASE_ENA bit, take care not to change other nonzero bits that are configured at the same register address.

Table 4-113. Selection of FLL_n_GAIN and FLL_n_PHASE_ENA

Condition	FLL _n _GAIN	FLL _n _PHASE_ENA
Synchronizer disabled (FLL _n _SYNC_ENA = 0) and FLL Integer Mode (FLL _n _THETA = 0)	F _{REF} < 768 kHz F _{REF} ≥ 768 kHz	0x2 0x3
Synchronizer enabled (FLL _n _SYNC_ENA = 1) or FLL Fractional Mode (FLL _n _THETA > 0)	F _{REF} < 100 kHz 100 kHz ≤ F _{REF} < 375 kHz 375 kHz ≤ F _{REF} < 1.5 MHz 1.5 MHz ≤ F _{REF} < 6.0 MHz F _{REF} ≥ 6.0 MHz	0x0 0x2 0x3 0x4 0x5

Note: F_{REF} is the input frequency, after division by FLL_n_REFCLK_DIV, where applicable.

4.17.8.5 Output Frequency Control—Synchronizer Loop

A similar procedure applies for the derivation of the FLL synchronizer parameters—assuming that this function is used.

The FLL_n_SYNC_FRATIO field selects the frequency division ratio of the FLL synchronizer input. The FLL_n_GAIN and FLL_n_SYNC_DFSAT fields are used to optimize the FLL, according to the input frequency. These fields should be set as described in [Table 4-114](#).

Note: The FLL_n_SYNC_FRATIO coding differs from that of FLL_n_FRATIO.

Table 4-114. Selection of FLL_n_SYNC_FRATIO, FLL_n_SYNC_GAIN, FLL_n_SYNC_DFSAT

Condition	FLL _n _SYNC_FRATIO	FLL _n _SYNC_GAIN	FLL _n _SYNC_DFSAT
1 MHz ≤ F _{SYNC} < 13.5 MHz	0x0 (divide by 1)	0x4 (16x gain)	0 (wide bandwidth)
256 kHz ≤ F _{SYNC} < 1 MHz	0x1 (divide by 2)	0x2 (4x gain)	0 (wide bandwidth)
128 kHz ≤ F _{SYNC} < 256 kHz	0x2 (divide by 4)	0x0 (1x gain)	0 (wide bandwidth)
64 kHz ≤ F _{SYNC} < 128 kHz	0x3 (divide by 8)	0x0 (1x gain)	1 (narrow bandwidth)
F _{SYNC} < 64 kHz	0x4 (divide by 16)	0x0 (1x gain)	1 (narrow bandwidth)

Note: F_{SYNC} is the synchronizer input frequency, after division by FLL_n_SYNCCLK_DIV, where applicable.

The FLL oscillator frequency, F_{VCO}, is the same frequency calculated as described in [Section 4.17.8.4](#).

The value of N.K (Sync) can be determined as follows:

$$N.K (\text{Sync}) = F_{VCO} / (FLL_n_SYNC_FRATIO \times F_{SYNC})$$

Note that, in the above equation, the following interpretations are assumed:

- F_{SYNC} is the synchronizer input frequency, after division by FLL_n_SYNCCLK_DIV, where applicable
- FLL_n_SYNC_FRATIO is the F_{VCO} clock ratio (1, 2, 4, 8, or 16)

The value of N (Sync) is held in FLL_n_SYNC_N.

The value of K (Sync) is determined by the ratio FLL_n_SYNC_THETA / FLL_n_SYNC_LAMBDA. See [Section 4.17.8.6](#) to derive the recommended settings for these fields.

The FLL_n_SYNC_N, FLL_n_SYNC_THETA, and FLL_n_SYNC_LAMBDA fields are all coded as integers (LSB = 1).

4.17.8.6 Calculation of Theta and Lambda

In Fractional Mode (FLL_n_THETA > 0), FLL_n_THETA and FLL_n_LAMBDA are calculated with the following steps:

1. Calculate GCD(FLL) using the Greatest Common Denominator function:

$$\text{GCD}(\text{FLL}) = \text{GCD}(\text{FLL}_n\text{_FRATIO} \times F_{\text{REF}}, F_{\text{VCO}}),$$
 where GCD(x, y) is the greatest common denominator of x and y.
 F_{REF} is the input frequency, after division by FLL_n_REFCLK_DIV, where applicable.
2. Calculate FLL_n_THETA and FLL_n_LAMBDA using the following equations:

$$\text{FLL}_n\text{_THETA} = (F_{\text{VCO}} - (\text{FLL}_n \times \text{FLL}_n\text{_FRATIO} \times F_{\text{REF}})) / \text{GCD}(\text{FLL})$$

$$\text{FLL}_n\text{_LAMBDA} = (\text{FLL}_n\text{_FRATIO} \times F_{\text{REF}}) / \text{GCD}(\text{FLL})$$

Note that the equivalent procedure is also used to derive FLL_n_SYNC_THETA and FLL_n_SYNC_LAMBDA from the corresponding synchronizer parameters.

Note also that, in Fractional Mode, the values of FLL_n_THETA and FLL_n_LAMBDA must be coprime (i.e., not divisible by any common integer). The calculation above ensures that the values are coprime.

The value of K must be less than 1 (i.e., FLL_n_THETA must be less than FLL_n_LAMBDA).

4.17.8.7 Free-Running FLL Mode

The FLL can generate a clock signal even if no external reference is available. This may be because the normal input reference has been interrupted, or may be during a standby or start-up period when no initial reference clock is available.

Free-Running FLL Mode is enabled by setting FLL_n_FREERUN. Note that FLL_n_ENA must also be enabled in Free-Running FLL Mode.

In Free-Running FLL Mode, the normal feedback mechanism of the FLL is halted and the FLL oscillates independently of the external input references.

If the FLL was previously operating normally (with an input reference clock), the FLL output frequency remains unchanged when Free-Running FLL Mode is enabled. The FLL output is independent of the input reference while operating with FLL_n_FREERUN = 1.

The main FLL loop always runs freely if the input reference clock is stopped (regardless of the FLL_n_FREERUN setting). If FLL_n_FREERUN = 0, the FLL relocks to the input reference whenever it is available.

In Free-Running FLL Mode, (with FLL_n_FREERUN = 1), the FLL integrator value (part of the feedback mechanism) can be commanded directly using FLL_n_FRC_INTEG_VAL. The integrator value in this field is applied to the FLL when a 1 is written to FLL_n_FRC_INTEG_UPD.

If the FLL is started up in Free-Running FLL Mode, (i.e., it was not previously running), the default value of FLL_n_FRC_INTEG_VAL is applied.

The FLL integrator value (part of the feedback mechanism) can be read from the FLL_n_INTEG field; the value may be stored for later use. Note that the value of FLL_n_INTEG is only valid if FLL_n_FREERUN = 1 and FLL_n_INTEG_VALID = 1.

The FLL integrator setting does not ensure a specific output frequency for the FLL across all devices and operating conditions; some level of variation applies.

The free-running FLL clock may be selected as the SYSCLK, ASYNCCLK, or DSPCLK source, as shown in [Fig. 4-63](#).

Table 4-115. FLL1 Register Map (Cont.)

Register Address	Bit	Label	Default	Description
R393 (0x0189) FLL1_Spread_Spectrum	5:4	FLL1_SS_AMPL[1:0]	00	FLL1 Spread Spectrum Amplitude. Controls the extent of the spread-spectrum modulation. 00 = 0.7% (triangle), 0.7% (ZMFM, dither) 10 = 2.3% (triangle), 2.6% (ZMFM, dither) 01 = 1.1% (triangle), 1.3% (ZMFM, dither) 11 = 4.6% (triangle), 5.2% (ZMFM, dither)
	3:2	FLL1_SS_FREQ[1:0]	00	FLL1 Spread Spectrum Frequency. Controls the spread spectrum modulation frequency in Triangle Mode. 00 = 439 kHz 10 = 1.17 MHz 01 = 878 kHz 11 = 1.76 MHz
	1:0	FLL1_SS_SEL[1:0]	00	FLL1 Spread Spectrum Select. 00 = Disabled 10 = Triangle 01 = Zero Mean Frequency (ZMFM) 11 = Dither

The FLL2 control registers are described in [Table 4-116](#).

Table 4-116. FLL2 Register Map

Register Address	Bit	Label	Default	Description
R401 (0x0191) FLL2_Control_1	1	FLL2_FREERUN	1	FLL2 Free-Running Mode Enable 0 = Disabled 1 = Enabled The FLL feedback mechanism is halted in Free-Running FLL Mode, and the latest integrator setting is maintained
	0	FLL2_ENA	0	FLL2 Enable 0 = Disabled 1 = Enabled This should be set as the final step of the FLL2 enable sequence, i.e., after the other FLL fields have been configured.
R402 (0x0192) FLL2_Control_2	15	FLL2_CTRL_UPD	0	FLL2 Control Update Write 1 to apply the FLL2_N and FLL2_THETA field settings. (Only valid if FLL2_ENA = 1)
	9:0	FLL2_N[9:0]	0x008	FLL2 Integer multiply for F_{REF} (LSB = 1) If updated while the FLL is enabled, the new value is only effective when a 1 is written to FLL2_CTRL_UPD.
R403 (0x0193) FLL2_Control_3	15:0	FLL2_THETA[15:0]	0x0018	FLL2 Fractional multiply for F_{REF} . Sets the numerator (multiply) part of the FLL2_THETA/FLL2_LAMBDA ratio. Coded as LSB = 1. If updated while the FLL is enabled, the new value is only effective when a 1 is written to FLL2_CTRL_UPD.
R404 (0x0194) FLL2_Control_4	15:0	FLL2_LAMBDA[15:0]	0x007D	FLL2 Fractional multiply for F_{REF} This field sets the denominator (dividing) part of the FLL2_THETA/FLL2_LAMBDA ratio. Coded as LSB = 1.
R405 (0x0195) FLL2_Control_5	11:8	FLL2_FRATIO[3:0]	0x0	FLL2 F_{VCO} clock divider 0x0 = 1 0x2 = 3 ... 0x1 = 2 0x3 = 4 0xF = 16
R406 (0x0196) FLL2_Control_6	7:6	FLL2_REFCLK_DIV[1:0]	00	FLL2 Clock Reference Divider 00 = 1 10 = 4 01 = 2 11 = 8 MCLK (or other input reference) must be divided down to ≤ 13.5 MHz.
	3:0	FLL2_REFCLK_SRC[3:0]	0000	FLL2 Clock source 0000 = MCLK1 1001 = AIF2BCLK 1101 = AIF2LRCLK 0001 = MCLK2 1010 = AIF3BCLK 1110 = AIF3LRCLK 0011 = SLIMCLK 1011 = AIF4BCLK 1111 = AIF4LRCLK 1000 = AIF1BCLK 1100 = AIF1LRCLK All other codes are reserved

Table 4-116. FLL2 Register Map (Cont.)

Register Address	Bit	Label	Default	Description
R425 (0x01A9) FLL2_Spread_Spectrum	5:4	FLL2_SS_AMPL[1:0]	00	FLL2 Spread Spectrum Amplitude. Controls the extent of the spread-spectrum modulation. 00 = 0.7% (triangle), 0.7% (ZMFM, dither) 10 = 2.3% (triangle), 2.6% (ZMFM, dither) 01 = 1.1% (triangle), 1.3% (ZMFM, dither) 11 = 4.6% (triangle), 5.2% (ZMFM, dither)
	3:2	FLL2_SS_FREQ[1:0]	00	FLL2 Spread Spectrum Frequency. Controls the spread spectrum modulation frequency in Triangle Mode. 00 = 439 kHz 10 = 1.17 MHz 01 = 878 kHz 11 = 1.76 MHz
	1:0	FLL2_SS_SEL[1:0]	00	FLL2 Spread Spectrum Select. 00 = Disabled 10 = Triangle 01 = Zero Mean Frequency (ZMFM) 11 = Dither

4.17.8.10 FLL Interrupts and GPIO Output

For each FLL, the CS47L90 provides an FLL lock signal, which indicates whether FLL lock has been achieved (i.e., the FLL is locked to the input reference signal).

The FLL lock signals are inputs to the interrupt control circuit and can be used to trigger an interrupt event; see [Section 4.16](#).

The FLL lock signal can be output directly on a GPIO pin as an external indication of the FLL status. See [Section 4.15](#) to configure a GPIO pin for these functions.

Clock output signals derived from the FLL can be output on a GPIO pin. See [Section 4.15](#) to configure a GPIO pin for this function.

The FLL1/FLL2 configuration is shown in [Fig. 4-65](#).

4.17.8.11 Example FLL Calculation

The following example illustrates how to derive the FLL1 register fields to generate an oscillator frequency (F_{VCO}) of 98.304 MHz from a 12.000-MHz reference clock (F_{REF}). This is suitable for generating SYSCLK at 98.304 MHz and/or DSPCLK at 147.456 MHz.

- Set FLL1_REFCLK_DIV to generate $F_{REF} \leq 13.5$ MHz:
FLL1_REFCLK_DIV = 00 (divide by 1)
- Calculate N.K as given by $N.K = F_{VCO} / (FLL1_FRATIO \times F_{REF})$. Assume FLL1_FRATIO = 0x0 (divide by 1).
 $N.K = 98304000 / (1 \times 12000000) = 8.192$
- Confirm that the calculated value of N is less than 1024.
- Determine FLL1_N from the integer portion of N.K:
FLL1_N = 8 (0x008)
- Determine GCD(FLL), as given by $GCD(FLL) = GCD(FLL1_FRATIO \times F_{REF}, F_{VCO})$:
 $GCD(FLL) = GCD(1 \times 12000000, 98304000) = 96000$
- Determine FLL1_THETA, as given by $FLL1_THETA = (F_{VCO} - (FLL1_N \times FLL1_FRATIO \times F_{REF})) / GCD(FLL)$:
 $FLL1_THETA = (98304000 - (8 \times 1 \times 12000000)) / 96000$
FLL1_THETA = 24 (0x0018)
- Determine FLL1_LAMBDA, as given by $FLL1_LAMBDA = (FLL1_FRATIO \times F_{REF}) / GCD(FLL)$:
 $FLL1_LAMBDA = (1 \times 12000000) / 96000$
FLL1_LAMBDA = 125 (0x007D)
- Determine FLL1_GAIN and FLL1_PHASE_ENA as specified in [Section 4.17.8.4](#):
FLL1_GAIN = 0x5
FLL1_PHASE_ENA = 1

4.17.8.12 Example FLL Settings

Table 4-117 shows FLL settings for generating an oscillator frequency (F_{VCO}) of 98.304 MHz from a variety of low- and high-frequency reference inputs. This is suitable for generating SYSCLK at 98.304 MHz and/or DSPCLK at 147.456 MHz.

Table 4-117. Example FLL Settings

F _{SOURCE}	F _{VCO} (MHz) ¹	F _{REF} Divider ²	FRATIO ²	N.K ³	FLL _n _N	FLL _n _THETA	FLL _n _LAMBDA	FLL _n _GAIN ⁴	FLL _n _PHASE_ENA ⁴
32.000 kHz	98.304	1	4	768	0x300	0x0000	0x0001	0x2	1
32.768 kHz	98.304	1	3	1000	0x3E8	0x0000	0x0001	0x2	1
48 kHz	98.304	1	3	682.6667	0x2AA	0x0002	0x0003	0x0	0
128 kHz	98.304	1	1	768	0x300	0x0000	0x0001	0x2	1
512 kHz	98.304	1	1	192	0x0C0	0x0000	0x0001	0x2	1
1.536 MHz	98.304	1	1	64	0x040	0x0000	0x0001	0x3	1
3.072 MHz	98.304	1	1	32	0x020	0x0000	0x0001	0x3	1
11.2896 MHz	98.304	1	1	8.7075	0x008	0x0068	0x0093	0x5	0
12.000 MHz	98.304	1	1	8.192	0x008	0x0018	0x007D	0x5	0
12.288 MHz	98.304	1	1	8	0x008	0x0000	0x0001	0x3	1
13.000 MHz	98.304	1	1	7.5618	0x007	0x0391	0x0659	0x5	0
19.200 MHz	98.304	2	1	10.24	0x00A	0x0006	0x0019	0x5	0
24 MHz	98.304	2	1	8.192	0x008	0x0018	0x007D	0x5	0
26 MHz	98.304	2	1	7.5618	0x007	0x0391	0x0659	0x5	0
27 MHz	98.304	2	1	7.2818	0x007	0x013D	0x0465	0x5	0

1. $F_{VCO} = (F_{SOURCE}/F_{REF} \text{ Divider}) \times N.K \times FRATIO$

2. See Table 4-115 and Table 4-116 for the coding of the FLL_n_REFCLK_DIV and FLL_n_FRATIO fields.

3. N.K values are represented in the FLL_n_N, FLL_n_THETA, and FLL_n_LAMBDA fields.

4. Assumes the FLL synchronizer is disabled. If the FLL synchronizer is enabled, see Table 4-113 for required settings.

The FLL synchronizer, when used, is configured similarly to the FLL main loop, using the corresponding register fields. Note that the recommended FRATIO and GAIN settings on the FLL synchronizer circuit differ from those of the main loop—the FLL_n_SYNC_FRATIO, FLL_n_GAIN and FLL_n_SYNC_DFSAT fields are set as described in Table 4-114.

Note that the FLL_n_SYNC_FRATIO coding differs from that of FLL_n_FRATIO.

Table 4-118 shows FLL synchronizer settings for generating an oscillator frequency (F_{VCO}) of 98.304 MHz from a variety of low- and high-frequency reference inputs.

Table 4-118. Example FLL Synchronizer Settings

F _{SOURCE}	F _{VCO} (MHz) ¹	F _{REF} Divider ²	FRATIO ²	N.K ³	FLL _n _SYNC_N	FLL _n _SYNC_THETA	FLL _n _SYNC_LAMBDA	FLL _n _SYNC_GAIN	FLL _n _SYNC_DFSAT
32.000 kHz	98.304	1	16	192	0x0C0	0x0000	0x0001	0x0	1
32.768 kHz	98.304	1	16	187.5	0x0BB	0x0001	0x0002	0x0	1
48 kHz	98.304	1	16	128	0x080	0x0000	0x0001	0x0	1
128 kHz	98.304	1	4	192	0x0C0	0x0000	0x0001	0x0	0
512 kHz	98.304	1	2	96	0x060	0x0000	0x0001	0x1	0
1.536 MHz	98.304	1	1	64	0x040	0x0000	0x0001	0x4	0
3.072 MHz	98.304	1	1	32	0x020	0x0000	0x0001	0x4	0
11.2896 MHz	98.304	1	1	8.7075	0x008	0x0068	0x0093	0x4	0
12.000 MHz	98.304	1	1	8.192	0x008	0x0018	0x007D	0x4	0
12.288 MHz	98.304	1	1	8	0x008	0x0000	0x0001	0x4	0
13.000 MHz	98.304	1	1	7.5618	0x007	0x0391	0x0659	0x4	0
19.200 MHz	98.304	2	1	10.24	0x00A	0x0006	0x0019	0x4	0
24 MHz	98.304	2	1	8.192	0x008	0x0018	0x007D	0x4	0
26 MHz	98.304	2	1	7.5618	0x007	0x0391	0x0659	0x4	0
27 MHz	98.304	2	1	7.2818	0x007	0x013D	0x0465	0x4	0

1. $F_{VCO} = (F_{SOURCE}/F_{REF} \text{ Divider}) \times N.K \times FRATIO$

2. See Table 4-115 and Table 4-116 for the coding of the FLL_n_REFCLK_DIV and FLL_n_SYNC_FRATIO fields.

3.N.K values are represented in the FLL_n_SYNC_N, FLL_n_SYNC_THETA, and FLL_n_SYNC_LAMBDA fields.

4.17.9 Frequency-Locked Loop (FLL_AO)

Three integrated FLLs are provided to support the clocking requirements of the CS47L90. These can be configured according to the available reference clocks and the application requirements. The reference clock may use a high frequency (e.g., 12.288 MHz) or low frequency (e.g., 32.768 kHz). The FLL is tolerant of jitter and may be used to generate a stable output clock from a less stable input reference.

There are two FLL implementations on the CS47L90:

- FLL1 and FLL2 provide an advanced capability to use more than one reference clock to achieve best performance. See [Section 4.17.8](#).
- FLL_AO is low-power FLL that supports additional always-on capability to provide system clocking when other references are unavailable or disabled. FLL_AO is described in the following subsections.

4.17.9.1 Overview

The FLL_AO characteristics are summarized in [Table 3-11](#). In normal operation, the FLL output is frequency-locked to an input clock reference. The FLL can also be used to generate a free-running clock in the absence of any external reference, as described in [Section 4.17.9.5](#). Configurable dither modulation can be applied to the FLL_AO output, to control EMI effects.

FLL_AO is a low-power FLL that can be configured as the source for SYSCLK, ASYNCCLK, or DSPCLK system clocks. It also supports always-on functions—it can be used to provide clocking for the DSP cores if DSPCLK is not enabled (e.g., for always-on DSP applications). See [Section 4.4.3.4](#) to configure FLL_AO for always-on DSP operation.

The default FLL_AO settings are configured to provide a 49.152-MHz output, without any input reference required. The FLL_AO can be used in its default settings or can be reconfigured for different input/output frequencies. The FLL_AO control registers must always hold valid settings—either enabled and locked to an input reference clock or configured in FLL Hold Mode.

FLL_AO takes a constant and stable clock reference as its input. Under typical application conditions, a low-frequency (e.g., 32.768 kHz) reference is used. FLL_AO is free running without any clock reference if the input signal is removed; it can also initiate an output in the absence of any reference signal.

4.17.9.2 FLL Enable

FLL_AO is enabled by setting FLL_AO_ENA. In normal operation, the FLL_AO output is frequency locked to the selected input reference.

FLL_AO supports free-running operation in FLL Hold Mode, using the FLL_AO_HOLD bit described in [Section 4.17.9.5](#). If the FLL is enabled and FLL Hold Mode is selected, the configured output frequency is maintained without any input reference required. Note that, once the FLL output has been established, FLL_AO always runs freely if the input reference clock is stopped, regardless of the FLL_AO_HOLD bit.

To disable FLL_AO, FLL_AO_HOLD must be set before clearing FLL_AO_ENA. FLL_AO_HOLD must always be set if the FLL is disabled; this holds the oscillator loop-configuration settings, in readiness for always-on system requirements.

FLL_AO_HOLD should remain set when enabling FLL_AO. If normal (input-reference locked) FLL operation is required, FLL_AO_HOLD should be cleared after FLL_AO_ENA has been set.

When changing FLL_AO settings, FLL_AO_HOLD must be set before writing to the configuration registers. FLL_AO_HOLD must not be cleared until after the new register values have been written. Note that, if the FLL is disabled, the FLL_AO_HOLD bit must remain set until after FLL_AO_ENA has been set.

Under default conditions, FLL_AO is preconfigured to generate 49.152-MHz output, without any input reference required. Setting FLL_AO_ENA without changing any other control bits enables this reference clock output, which may be selected as SYSCLK, ASYNCCLK, or DSPCLK source, as shown in [Fig. 4-63](#).

The FLL_AO configuration is shown in [Fig. 4-66](#).

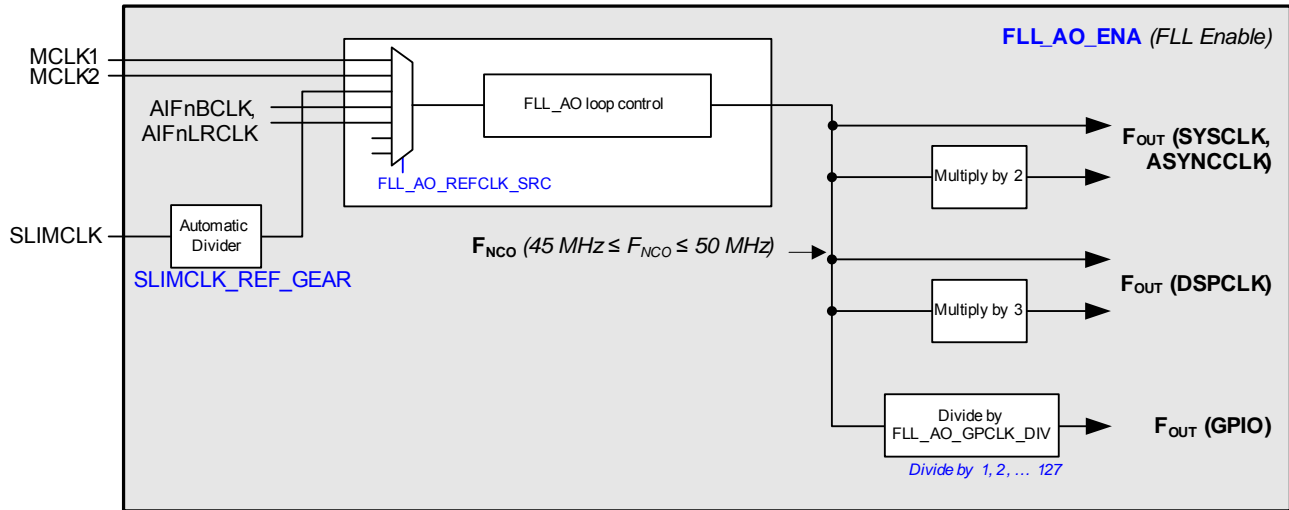


Figure 4-66. FLL_AO Configuration

The procedure for configuring FLL_AO is described in the following subsections. The associated register control fields are described in [Table 4-119](#).

4.17.9.3 Input Frequency Control

The main input reference is selected using FLL_AO_REFCLK_SRC. The available options in each case are MCLK1, MCLK2, SLIMCLK, AIFnBCLK, or AIFnLRCLK.

The SLIMCLK reference is controlled by an adaptive divider on the external SLIMCLK input. The divider automatically adapts to the SLIMbus clock gear, to provide a constant reference frequency for the FLL; see [Section 4.11](#).

The FLL_AO reference clock provides input to the interrupt control circuit and can be used to trigger an interrupt event when the input reference is stopped; see [Section 4.16](#).

4.17.9.4 Output Frequency Control

If FLL_AO is selected as SYSCLK or ASYNCCLK source, the associated multiplexer can select the FLL_AO oscillator frequency (equal to F_{NCO}) or a multiplied frequency (equal to $F_{NCO} \times 2$). For hi-fi audio use, F_{NCO} must be exactly 49.152 MHz for 48 kHz–related sample rates or 45.1584 MHz for 44.1 kHz–related sample rates.

If FLL_AO is selected as DSPCLK source, the associated multiplexer can select the basic frequency (equal to F_{NCO}) or a multiplied frequency (equal to $F_{NCO} \times 3$). Note that the DSPCLK can be further divided for each DSP.

If FLL_AO is selected as a GPIO output, a programmable divider supports division ratios in the range 1 through 127, enabling a wide range of GPIO clock output frequencies.

Note: The chosen F_{NCO} frequency can be used to support multiple outputs simultaneously (e.g., SYSCLK and DSPCLK); each FLL clock output path is controlled by a separate divider function, as shown in [Fig. 4-66](#).

4.17.9.5 FLL Hold Mode

FLL Hold Mode enables the FLL to generate a clock signal even if no external reference clock is available, such as when the normal input reference has been interrupted during a standby or start-up period. FLL Hold Mode is selected by setting FLL_AO_HOLD.

- If the FLL is enabled and FLL Hold Mode is selected, the normal feedback mechanism of the FLL is halted and the FLL oscillates independently of the external input references—the FLL output frequency remains unchanged if FLL Hold Mode is enabled.
- If the FLL is enabled and the input reference clock is stopped, the loop always runs freely, regardless of the FLL_AO_HOLD setting. If FLL_AO_HOLD = 0, the FLL relocks to the input reference whenever it is available.

- If the FLL is disabled and FLL Hold Mode is selected, the latest oscillator loop configuration is held for later use. Note that this is the default condition of FLL_AO: preconfigured to generate 49.152-MHz output with no input reference required.

Note: For specified CS47L90 functionality, FLL_AO_HOLD must be set before disabling the FLL and must always be set if the FLL is disabled.

4.17.9.6 FLL Control Registers

The FLL_AO control registers are described in [Table 4-119](#).

Example settings for a variety of reference frequencies and output frequencies are shown in [Section 4.17.9.8](#).

Table 4-119. FLL_AO Register Map

Register Address	Bit	Label	Default	Description
R465 (0x01D1) FLL_AO_Control_1	2	FLL_AO_HOLD	1	FLL_AO Hold Mode Enable 0 = Disabled 1 = Enabled The FLL feedback mechanism is halted in FLL Hold Mode, and the latest integrator setting is maintained. This bit must always be set if FLL_AO is disabled.
	0	FLL_AO_ENA	0	FLL_AO Enable 0 = Disabled 1 = Enabled
R470 (0x01D6) FLL_AO_Control_6	3:0	FLL_AO_REFCLK_SRC[3:0]	0100	FLL_AO Clock source 0000 = MCLK1 1001 = AIF2BCLK 1101 = AIF2LRCLK 0001 = MCLK2 1010 = AIF3BCLK 1110 = AIF3LRCLK 0011 = SLIMCLK 1011 = AIF4BCLK 1111 = AIF4LRCLK 1000 = AIF1BCLK 1100 = AIF1LRCLK All other codes are reserved

4.17.9.7 FLL Interrupts and GPIO Output

For each FLL, the CS47L90 provides an FLL lock signal that indicates whether FLL lock has been achieved (i.e., the FLL is locked to the input reference signal).

The FLL lock signals are inputs to the interrupt control circuit and can be used to trigger an interrupt event; see [Section 4.16](#).

The FLL lock signal can be output directly on a GPIO pin as an external indication of the FLL status. See [Section 4.15](#) to configure a GPIO pin for these functions.

Clock output signals derived from the FLL can be output on a GPIO pin. See [Section 4.15](#) to configure a GPIO pin for this function.

The FLL_AO configuration is shown in [Fig. 4-66](#).

4.17.9.8 Example FLL Settings

[Table 4-120](#) shows FLL settings for generating an oscillator frequency (F_{NCO}) of 45.1854 MHz or 49.152 MHz from a variety of low-frequency reference inputs.

Table 4-120. Example FLL_AO Settings

Input Reference	Configuration Sequence— 45.1584 MHz output	Configuration Sequence— 49.152 MHz output
32.000 kHz	<ul style="list-style-type: none"> • Write 0x02C1 to address 0x01D2 • Write 0x0003 to address 0x01D3 • Write 0x0005 to address 0x01D4 • Write 0x0002 to address 0x01D5 • Write 0x8001 to address 0x01D6 • Write 0x0004 to address 0x01D8 • Write 0x0077 to address 0x01DA • Write 0x06D8 to address 0x01DC • Write 0x0005 to address 0x01DD • Write 0x82C1 to address 0x01D2 	<ul style="list-style-type: none"> • Write 0x0300 to address 0x01D2 • Write 0x0000 to address 0x01D3 • Write 0x0001 to address 0x01D4 • Write 0x0002 to address 0x01D5 • Write 0x8001 to address 0x01D6 • Write 0x0004 to address 0x01D8 • Write 0x0077 to address 0x01DA • Write 0x06D8 to address 0x01DC • Write 0x0085 to address 0x01DD • Write 0x8300 to address 0x01D2
32.768 kHz	<ul style="list-style-type: none"> • Write 0x02B1 to address 0x01D2 • Write 0x0001 to address 0x01D3 • Write 0x0010 to address 0x01D4 • Write 0x0002 to address 0x01D5 • Write 0x8001 to address 0x01D6 • Write 0x0004 to address 0x01D8 • Write 0x0077 to address 0x01DA • Write 0x06D8 to address 0x01DC • Write 0x0005 to address 0x01DD • Write 0x82B1 to address 0x01D2 	<ul style="list-style-type: none"> • Write 0x02EE to address 0x01D2 • Write 0x0000 to address 0x01D3 • Write 0x0001 to address 0x01D4 • Write 0x0002 to address 0x01D5 • Write 0x8001 to address 0x01D6 • Write 0x0004 to address 0x01D8 • Write 0x0077 to address 0x01DA • Write 0x06D8 to address 0x01DC • Write 0x0085 to address 0x01DD • Write 0x82EE to address 0x01D2
44.100 kHz	<ul style="list-style-type: none"> • Write 0x0200 to address 0x01D2 • Write 0x0000 to address 0x01D3 • Write 0x0001 to address 0x01D4 • Write 0x0002 to address 0x01D5 • Write 0x8001 to address 0x01D6 • Write 0x0004 to address 0x01D8 • Write 0x0077 to address 0x01DA • Write 0x06D8 to address 0x01DC • Write 0x0085 to address 0x01DD • Write 0x8200 to address 0x01D2 	<ul style="list-style-type: none"> • Write 0x022D to address 0x01D2 • Write 0x0029 to address 0x01D3 • Write 0x0093 to address 0x01D4 • Write 0x0002 to address 0x01D5 • Write 0x8001 to address 0x01D6 • Write 0x0004 to address 0x01D8 • Write 0x0077 to address 0x01DA • Write 0x06D8 to address 0x01DC • Write 0x0005 to address 0x01DD • Write 0x822D to address 0x01D2
48.000 kHz	<ul style="list-style-type: none"> • Write 0x01D6 to address 0x01D2 • Write 0x0002 to address 0x01D3 • Write 0x0005 to address 0x01D4 • Write 0x0002 to address 0x01D5 • Write 0x8001 to address 0x01D6 • Write 0x0004 to address 0x01D8 • Write 0x0077 to address 0x01DA • Write 0x06D8 to address 0x01DC • Write 0x0005 to address 0x01DD • Write 0x81D6 to address 0x01D2 	<ul style="list-style-type: none"> • Write 0x0200 to address 0x01D2 • Write 0x0000 to address 0x01D3 • Write 0x0001 to address 0x01D4 • Write 0x0002 to address 0x01D5 • Write 0x8001 to address 0x01D6 • Write 0x0004 to address 0x01D8 • Write 0x0077 to address 0x01DA • Write 0x06D8 to address 0x01DC • Write 0x0085 to address 0x01DD • Write 0x8200 to address 0x01D2

Notes: For correct FLL_AO configuration, the register values must be written in the sequence shown. The sequence must be executed in full, regardless of the previous contents of the respective registers.

The example FLL_AO settings assume MCLK2 is input source. The register 0x01D6 value should be amended, if a different input source is used. See [Table 4-119](#) for the applicable register field definitions.

To enable the FLL_AO output, the FLL_AO_HOLD and FLL_AO_ENA control bits must also be written. See [Section 4.17.9.2](#) for further details.

4.18 Control Interface

The CS47L90 is controlled by read/write access to its control registers. Three independent control interfaces are provided, giving flexible capability as described below. Note that the SLIMbus interface also supports read/write access to the CS47L90 control registers; see [Section 4.11](#).

The CS47L90 executes a boot sequence following power-on reset, hardware reset, software reset, or wake-up from Sleep Mode. Note that control register writes should not be attempted until the boot sequence has completed. See [Section 4.23](#) for further details.

Register access is possible on all of the control interfaces (including SLIMbus) simultaneously. Note that the control interface function can be supported with or without system clocking—there is no requirement for SYSCLK, or any other system clock, to be enabled when accessing the register map.

Timing specifications for each of the control interfaces are provided in [Table 3-19–Table 3-21](#). In some applications, additional system-wide constraints must be observed to ensure control interface limits are not exceeded. Full details of these requirements are provided in [Section 4.17.7](#). These constraints need to be considered if any of the following conditions is true.

- SYSCLK is enabled and is < 22.5792 MHz
- Control-register access is scheduled at register address 0x80000 or above
- Control-register access is scheduled on more than one of the control interfaces simultaneously

A summary of the CS47L90 control interfaces is described in [Table 4-121](#).

Table 4-121. CS47L90 Control Interface Summary

Control Interface	Description	Pin Functions	Power Domain
CIF1	Four-wire (SPI) interface	CIF1MISO—Data output CIF1MOSI—Data input CIF1SCLK—Interface clock input CIF1SS—Slave select input	DBVDD1
CIF2	Two-wire (I ² C) interface	CIF2SCLK—Interface clock input CIF2SDA—Data input/output	DBVDD1
CIF3	Four-wire (SPI) interface	CIF3MISO—Data output CIF3MOSI—Data input CIF3SCLK—Interface clock input CIF3SS—Slave select input	DBVDD3

The CS47L90 provides integrated pull-down resistors on the CIF1MISO and CIF3MISO pins. This provides a flexible capability for interfacing with other devices. The pull-downs are enabled using the CIF1MISO_PD and CIF3MISO_PD bits, as described in [Table 4-122](#).

Table 4-122. Control Interface Pull-Down

Register Address	Bit	Label	Default	Description
R8 (0x0008) Ctrl_IF_CFG_1	7	CIF1MISO_PD	0	CIF1MISO Pull-Down Control 0 = Disabled 1 = Enabled
R10 (0x000A) Ctrl_IF_CFG_3	7	CIF3MISO_PD	0	CIF3MISO Pull-Down Control 0 = Disabled 1 = Enabled

A detailed description of the I²C and SPI interface modes is provided in the following sections.

4.18.1 Four-Wire (SPI) Control Mode

The SPI control interface mode is supported on CIF1 and CIF3 and uses the respective \overline{SS} , SCLK, MOSI, and MISO pins.

In write operations ($R/\overline{W} = 0$), the MOSI pin input is driven by the controlling device.

In read operations ($R/\overline{W} = 1$), the MOSI pin is ignored following receipt of the valid register address.

If \overline{SS} is asserted (Logic 0), the MISO output is actively driven when outputting data and is high impedance at other times. If \overline{SS} is not asserted, the MISO output is high impedance.

The high-impedance state of the MISO output allows the pin to be shared with other slaves. An internal pull-down resistor can be enabled on the CIF1MISO pin, as described in [Table 4-122](#).

Data transfers on CIF1 or CIF3 must use the applicable SPI message format, according to the register address space that is being accessed:

- When accessing register addresses below R12288 (0x3000), the applicable SPI protocol comprises a 31-bit register address and 16-bit data words.
- When accessing register addresses from R12888 (0x3000) upwards, the applicable SPI protocol comprises a 31-bit register address and 32-bit data words.
- Note that, in all cases, the complete SPI message protocol also includes a read/write bit and a 16-bit padding phase (see Fig. 4-67 and Fig. 4-68 below).

Continuous read and write modes enable multiple register operations to be scheduled faster than is possible with single register operations. In these modes, the CS47L90 automatically increments the register address at the end of each data word, for as long as \overline{SS} is held low and SCLK is toggled. Successive data words can be input/output every 16 (or 32) clock cycles (depending on the applicable register address space).

The SPI protocol is shown in Fig. 4-67 and Fig. 4-68. Note that 16-bit data words are shown, but the equivalent protocol also applies to 32-bit data words.

Fig. 4-67 shows a single register write to a specified address.

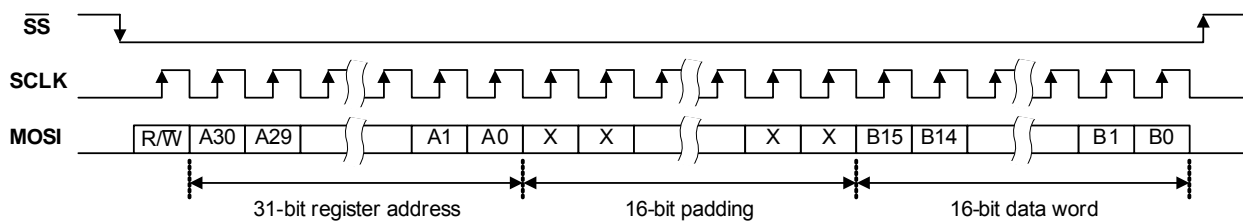


Figure 4-67. Control Interface SPI Register Write (16-Bit Data Words)

Fig. 4-68 shows a single register read from a specified address.

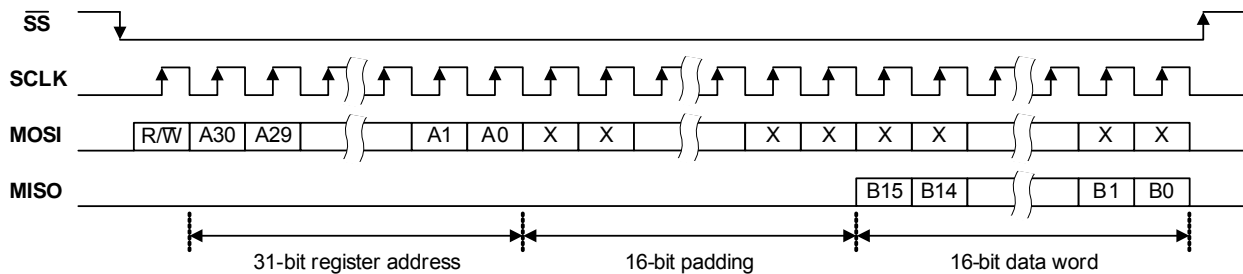


Figure 4-68. Control Interface SPI Register Read (16-Bit Data Words)

4.18.2 Two-Wire (I²C) Control Mode

The I²C control interface mode is supported on CIF2 only and uses the respective SCLK and SDA pins.

In I²C Mode, the CS47L90 is a slave device on the control interface; SCLK is a clock input, while SDA is a bidirectional data pin. To allow arbitration of multiple slaves (and/or multiple masters) on the same interface, the CS47L90 transmits Logic 1 by tristating the SDA pin, rather than pulling it high. An external pull-up resistor is required to pull the SDA line high so that the Logic 1 can be recognized by the master.

In order to allow many devices to share a single two-wire control bus, every device on the bus has a unique 8-bit device ID (this is not the same as the address of each register in the CS47L90).

The CS47L90 device ID is 0011_0100 (0x34). Note that the LSB of the device ID is the read/write bit; this bit is set to Logic 1 for read and Logic 0 for write.

The CS47L90 operates as a slave device only. The controller indicates the start of data transfer with a high-to-low transition on SDA while SCLK remains high. This indicates that a device ID and subsequent address/data bytes follow. The CS47L90 responds to the start condition and shifts in the next 8 bits on SDA (8-bit device ID, including read/write bit, MSB first). If the device ID received matches the device ID of the CS47L90, the CS47L90 responds by pulling SDA low on the next clock pulse (ACK). If the device ID is not recognized or the R/W bit is set incorrectly, the CS47L90 returns to the idle condition and waits for a new start condition.

If the device ID matches the device ID of the CS47L90, the data transfer continues. The controller indicates the end of data transfer with a low-to-high transition on SDA while SCLK remains high. After receiving a complete address and data sequence the CS47L90 returns to the idle state and waits for another start condition. If a start or stop condition is detected out of sequence at any point during data transfer (i.e., SDA changes while SCLK is high), the device returns to the idle condition.

Data transfers on CIF2 must use the applicable I²C message format, according to the register address space that is being accessed:

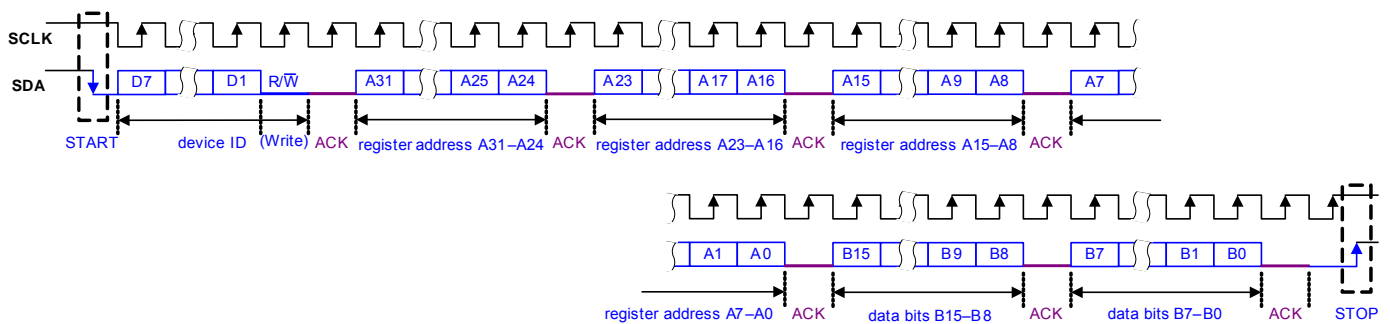
- When accessing register addresses below R12288 (0x3000), the applicable I²C protocol comprises a 32-bit register address and 16-bit data words.
- When accessing register addresses from R12888 (0x3000) upwards, the applicable I²C protocol comprises a 32-bit register address and 32-bit data words.
- Note that, in all cases, the complete I²C message protocol also includes a device ID, a read/write bit, and other signaling bits (see Fig. 4-69 and Fig. 4-70).

The CS47L90 supports the following read and write operations:

- Single write
- Single read
- Multiple write
- Multiple read

Continuous (multiple) read and write modes allow register operations to be scheduled faster than is possible with single register operations. In these modes, the CS47L90 automatically increments the register address after each data word. Successive data words can be input/output every 2 (or 4) data bytes, depending on the applicable register address space.

The I²C protocol for a single, 16-bit register write operation is shown in Fig. 4-69.



Note: The SDA pin is used as input for the control register address and data SDA is pulled low by the receiving device to provide the acknowledge(ACK) response

Figure 4-69. Control Interface I²C Register Write (16-Bit Data Words)

The I²C protocol for a single, 16-bit register read operation is shown in Fig. 4-70.

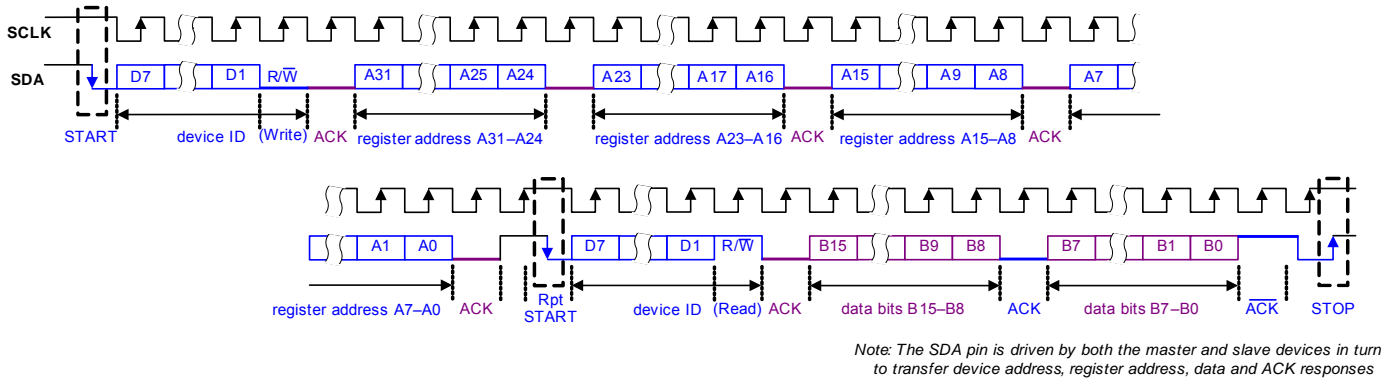


Figure 4-70. Control Interface I²C Register Read (16-Bit Data Words)

The control interface also supports other register operations; the interface protocol for these operations is shown in Fig. 4-71 through Fig. 4-74. The terminology used in the following figures is detailed in Table 4-123.

Note that 16-bit data words are shown in these illustrations. The equivalent protocol is also applicable to 32-bit words, with 4 data bytes transmitted (or received) instead of 2.

Table 4-123. Control Interface (I²C) Terminology

Terminology	Description
S	Start condition
Sr	Repeated start
A	Acknowledge (SDA low)
\bar{A}	Not acknowledge (SDA high)
P	Stop condition
R/ \bar{W}	Read/not write 0 = Write; 1 = Read
[White field]	Data flow from bus master to CS47L90
[Gray field]	Data flow from CS47L90 to bus master

Fig. 4-71 shows a single register write to a specified address.

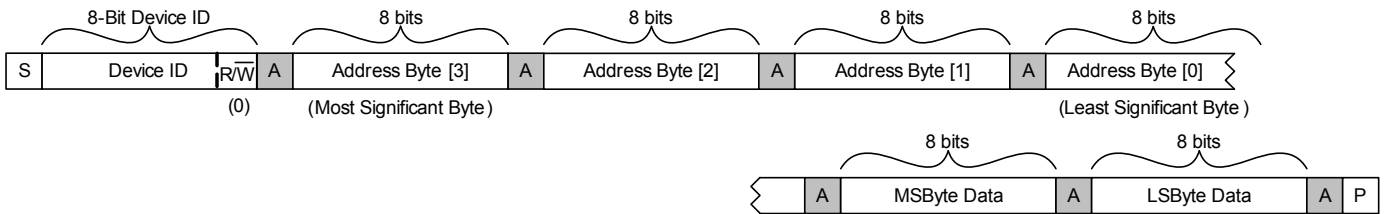


Figure 4-71. Single-Register Write to Specified Address

Fig. 4-72 shows a single register read from a specified address.

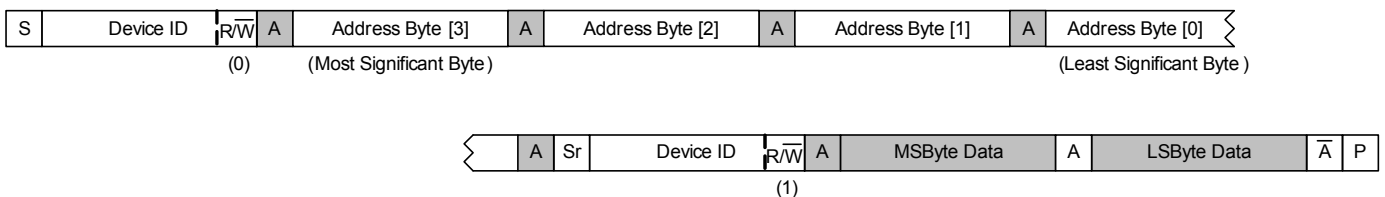


Figure 4-72. Single-Register Read from Specified Address

Fig. 4-73 shows a multiple register write to a specified address.

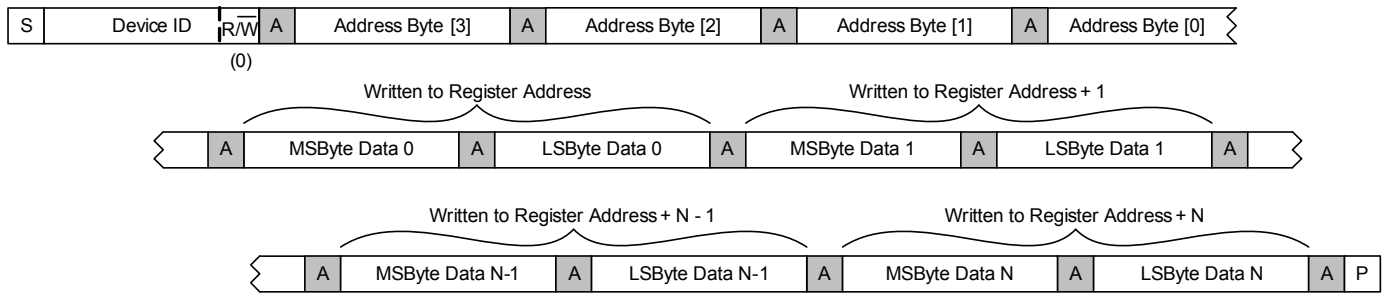


Figure 4-73. Multiple-Register Write to Specified Address

Fig. 4-74 shows a multiple register read from a specified address.

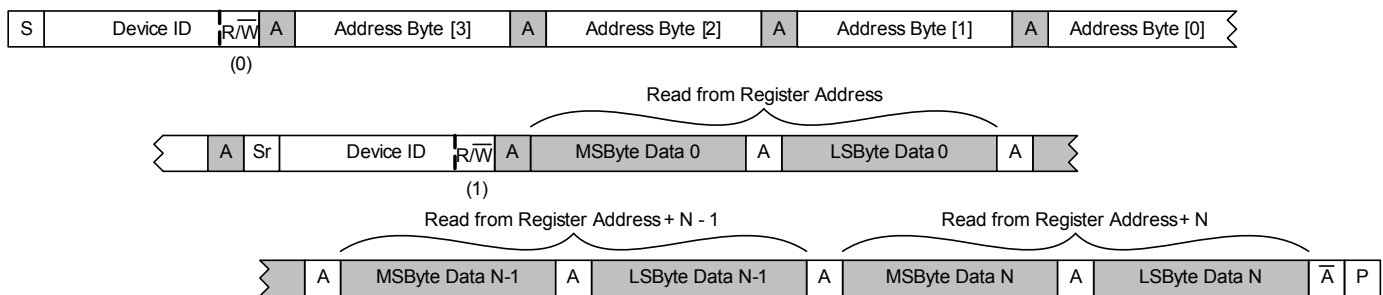


Figure 4-74. Multiple-Register Read from Specified Address

4.19 Control-Write Sequencer

The control-write sequencer is a programmable unit that forms part of the CS47L90 control interface logic. It provides the ability to perform a sequence of register-write operations with the minimum of demands on the host processor—the sequence may be initiated by a single operation from the host processor and then left to execute independently.

Default sequences for pop-suppressed start-up and shutdown of each headphone/earpiece output driver are provided (these are scheduled automatically when the respective output paths are enabled or disabled). Other control sequences can be programmed, and may be associated with sample-rate detection, DRC, MICDET clamp, or event logger status; these sequences are automatically scheduled whenever a corresponding event is detected.

When a sequence is initiated, the sequencer performs a series of predefined register writes. The start index of a control sequence within the sequencer's memory may be commanded directly by the host processor. The applicable start index for each of the sequences associated with sample-rate detection, DRC, or MICDET clamp, or event logger status is held in a user-programmed control register.

The control-write sequencer may be triggered by a number of different events. Multiple sequences are queued if necessary, and each is scheduled in turn.

The control-write sequencer can be supported with or without system clocking—there is no requirement for SYSCLK or for any other system clock to be enabled when using the control-write sequencer. The timing accuracy of the sequencer operation is improved when SYSCLK is present, but the general functionality is supported with or without SYSCLK.

4.19.1 Initiating a Sequence

The fields associated with running the control-write sequencer are described in [Table 4-124](#).

The CS47L90 provides 16 general-purpose trigger bits for the write sequencer to allow easy triggering of the associated control sequences. Writing 1 to the trigger bit initiates a control sequence, starting at the respective index position within the control-write sequencer memory.

The WSEQ_TRG1_INDEX field defines the sequencer start index corresponding to the WSEQ_TRG1 trigger control bit. Equivalent start index fields are provided for each trigger control bit, as described in [Table 4-124](#). Note that a sequencer start index of 0x1FF causes the respective sequence to be aborted.

The general-purpose control sequences are undefined following power-on reset, a hardware reset, or a Sleep Mode transition. The general-purpose control sequences must be reconfigured by the host processor following any of these events. Note that all control sequences are maintained in the sequencer memory through software reset.

The write sequencer can also be commanded using control bits in register R22 (0x16). In this case, the write sequencer is enabled using the WSEQ_ENA bit and the index location of the first command in the sequence is held in the WSEQ_START_INDEX field. Writing 1 to the WSEQ_START bit commands the sequencer to execute a control sequence, starting at the specified index position. Note that, if the sequencer is already running, the WSEQ_START command is queued and executed when the sequencer becomes available.

Note: The mechanism for queuing multiple sequence requests has limitations when the WSEQ_START bit is used to trigger the write sequencer. If a sequence is initiated using the WSEQ_START bit, no other control sequences should be triggered until the sequence completes. The WSEQ_BUSY bit (described in [Table 4-130](#)) provides an indication of the sequencer status and can be used to confirm the sequence has completed.

Multiple control sequences triggered by any other method are queued if necessary, and scheduled in turn.

The write sequencer can be interrupted by writing 1 to the WSEQ_ABORT bit. Note that this command only aborts a sequence that is currently running; if other sequence commands are pending and not yet started, these sequences are not aborted by writing to the WSEQ_ABORT bit.

The write sequencer stores up to 508 register-write commands. These are defined in registers R12288 (0x3000) through R13302 (0x33F6). See [Table 4-131](#) for a description of these registers.

Table 4-124. Write Sequencer Control—Initiating a Sequence

Register Address	Bit	Label	Default	Description
R22 (0x0016)	11	WSEQ_ABORT	0	Writing 1 to this bit aborts the current sequence.
Write_Sequencer_Ctrl_0	10	WSEQ_START	0	Writing 1 to this bit starts the write sequencer at the index location selected by WSEQ_START_INDEX. At the end of the sequence, this bit is reset by the write sequencer.
	9	WSEQ_ENA	0	Write Sequencer Enable 0 = Disabled 1 = Enabled Only applies to sequences triggered using the WSEQ_START bit.
	8:0	WSEQ_START_INDEX[8:0]	0x000	Sequence Start Index. Contains the index location in the sequencer memory of the first command in the selected sequence. Only applies to sequences triggered using the WSEQ_START bit. Valid from 0 to 507 (0x1FB).

Table 4-124. Write Sequencer Control—Initiating a Sequence (Cont.)

Register Address	Bit	Label	Default	Description
R66 (0x0042) Spare_Triggers	15	WSEQ_TRG16	0	Write Sequence Trigger 16 Write 1 to trigger
	14	WSEQ_TRG15	0	Write Sequence Trigger 15 Write 1 to trigger
	13	WSEQ_TRG14	0	Write Sequence Trigger 14 Write 1 to trigger
	12	WSEQ_TRG13	0	Write Sequence Trigger 13 Write 1 to trigger
	11	WSEQ_TRG12	0	Write Sequence Trigger 12 Write 1 to trigger
	10	WSEQ_TRG11	0	Write Sequence Trigger 11 Write 1 to trigger
	9	WSEQ_TRG10	0	Write Sequence Trigger 10 Write 1 to trigger
	8	WSEQ_TRG9	0	Write Sequence Trigger 9 Write 1 to trigger
	7	WSEQ_TRG8	0	Write Sequence Trigger 8 Write 1 to trigger
	6	WSEQ_TRG7	0	Write Sequence Trigger 7 Write 1 to trigger
	5	WSEQ_TRG6	0	Write Sequence Trigger 6 Write 1 to trigger
	4	WSEQ_TRG5	0	Write Sequence Trigger 5 Write 1 to trigger
	3	WSEQ_TRG4	0	Write Sequence Trigger 4 Write 1 to trigger
	2	WSEQ_TRG3	0	Write Sequence Trigger 3 Write 1 to trigger
	1	WSEQ_TRG2	0	Write Sequence Trigger 2 Write 1 to trigger
	0	WSEQ_TRG1	0	Write Sequence Trigger 1 Write 1 to trigger
R75 (0x004B) Spare_Sequence_Select_1	8:0	WSEQ_TRG1_INDEX[8:0]	0x1FF	Write Sequence trigger 1 start index. Contains the index location in the sequencer memory of the first command in the sequence associated with the WSEQ_TRG1 trigger. Valid from 0 to 507 (0x1FB).
R76 (0x004C) Spare_Sequence_Select_2	8:0	WSEQ_TRG2_INDEX[8:0]	0x1FF	Write Sequence trigger 1 start index. Contains the index location in the sequencer memory of the first command in the sequence associated with the WSEQ_TRG2 trigger. Valid from 0 to 507 (0x1FB).
R77 (0x004D) Spare_Sequence_Select_3	8:0	WSEQ_TRG3_INDEX[8:0]	0x1FF	Write Sequence trigger 1 start index. Contains the index location in the sequencer memory of the first command in the sequence associated with the WSEQ_TRG3 trigger. Valid from 0 to 507 (0x1FB).
R78 (0x004E) Spare_Sequence_Select_4	8:0	WSEQ_TRG4_INDEX[8:0]	0x1FF	Write Sequence trigger 1 start index. Contains the index location in the sequencer memory of the first command in the sequence associated with the WSEQ_TRG4 trigger. Valid from 0 to 507 (0x1FB).
R79 (0x004F) Spare_Sequence_Select_5	8:0	WSEQ_TRG5_INDEX[8:0]	0x1FF	Write Sequence trigger 1 start index. Contains the index location in the sequencer memory of the first command in the sequence associated with the WSEQ_TRG5 trigger. Valid from 0 to 507 (0x1FB).
R80 (0x0050) Spare_Sequence_Select_6	8:0	WSEQ_TRG6_INDEX[8:0]	0x1FF	Write Sequence trigger 1 start index. Contains the index location in the sequencer memory of the first command in the sequence associated with the WSEQ_TRG6 trigger. Valid from 0 to 507 (0x1FB).
R89 (0x0059) Spare_Sequence_Select_7	8:0	WSEQ_TRG7_INDEX[8:0]	0x1FF	Write Sequence trigger 1 start index. Contains the index location in the sequencer memory of the first command in the sequence associated with the WSEQ_TRG7 trigger. Valid from 0 to 507 (0x1FB).
R90 (0x005A) Spare_Sequence_Select_8	8:0	WSEQ_TRG8_INDEX[8:0]	0x1FF	Write Sequence trigger 1 start index. Contains the index location in the sequencer memory of the first command in the sequence associated with the WSEQ_TRG8 trigger. Valid from 0 to 507 (0x1FB).

Table 4-124. Write Sequencer Control—Initiating a Sequence (Cont.)

Register Address	Bit	Label	Default	Description
R91 (0x005B) Spare_Sequence_Select_9	8:0	WSEQ_TRG9_INDEX[8:0]	0x1FF	Write Sequence trigger 1 start index. Contains the index location in the sequencer memory of the first command in the sequence associated with the WSEQ_TRG9 trigger. Valid from 0 to 507 (0x1FB).
R92 (0x005C) Spare_Sequence_Select_10	8:0	WSEQ_TRG10_INDEX[8:0]	0x1FF	Write Sequence trigger 1 start index. Contains the index location in the sequencer memory of the first command in the sequence associated with the WSEQ_TRG10 trigger. Valid from 0 to 507 (0x1FB).
R93 (0x005D) Spare_Sequence_Select_11	8:0	WSEQ_TRG11_INDEX[8:0]	0x1FF	Write Sequence trigger 1 start index. Contains the index location in the sequencer memory of the first command in the sequence associated with the WSEQ_TRG11 trigger. Valid from 0 to 507 (0x1FB).
R94 (0x005E) Spare_Sequence_Select_12	8:0	WSEQ_TRG12_INDEX[8:0]	0x1FF	Write Sequence trigger 1 start index. Contains the index location in the sequencer memory of the first command in the sequence associated with the WSEQ_TRG12 trigger. Valid from 0 to 507 (0x1FB).
R104 (0x0068) Spare_Sequence_Select_13	8:0	WSEQ_TRG13_INDEX[8:0]	0x1FF	Write Sequence trigger 1 start index. Contains the index location in the sequencer memory of the first command in the sequence associated with the WSEQ_TRG13 trigger. Valid from 0 to 507 (0x1FB).
R105 (0x0069) Spare_Sequence_Select_14	8:0	WSEQ_TRG14_INDEX[8:0]	0x1FF	Write Sequence trigger 1 start index. Contains the index location in the sequencer memory of the first command in the sequence associated with the WSEQ_TRG14 trigger. Valid from 0 to 507 (0x1FB).
R106 (0x006A) Spare_Sequence_Select_15	8:0	WSEQ_TRG15_INDEX[8:0]	0x1FF	Write Sequence trigger 1 start index. Contains the index location in the sequencer memory of the first command in the sequence associated with the WSEQ_TRG15 trigger. Valid from 0 to 507 (0x1FB).
R107 (0x006B) Spare_Sequence_Select_16	8:0	WSEQ_TRG16_INDEX[8:0]	0x1FF	Write Sequence trigger 1 start index. Contains the index location in the sequencer memory of the first command in the sequence associated with the WSEQ_TRG16 trigger. Valid from 0 to 507 (0x1FB).

4.19.2 Automatic Sample-Rate Detection Sequences

The CS47L90 supports automatic sample-rate detection on the digital audio interfaces (AIF1–AIF4) when operating in AIF Slave Mode. Automatic sample-rate detection is enabled by setting RATE_EST_ENA—see [Table 4-110](#).

As many as four audio sample rates can be configured for automatic detection; these sample rates are selected using the SAMPLE_RATE_DETECT_n fields. If a selected audio sample rate is detected, the control-write sequencer is triggered. The applicable start index location within the sequencer memory is separately configurable for each detected sample rate.

The WSEQ_SAMPLE_RATE_DETECT_A_INDEX field defines the sequencer start index corresponding to the SAMPLE_RATE_DETECT_A sample rate. Equivalent start index fields are defined for the other sample rates, as described in [Table 4-125](#).

Note that a sequencer start index of 0x1FF causes the respective sequence to be aborted.

The automatic sample-rate detection control sequences are undefined following power-on reset, a hardware reset, or a Sleep Mode transition. The automatic sample-rate detection control sequences must be reconfigured by the host processor following any of these events. Note that all control sequences are maintained in the sequencer memory through software reset.

See [Section 4.17](#) for further details of the automatic sample-rate detection function.

Table 4-125. Write Sequence Control—Automatic Sample-Rate Detection

Register Address	Bit	Label	Default	Description
R97 (0x0061) Sample_Rate_Sequence_Select_1	8:0	WSEQ_SAMPLE_RATE_DETECT_A_INDEX[8:0]	0x1FF	Sample Rate A Write Sequence start index. Contains the index location in the sequencer memory of the first command in the sequence associated with Sample Rate A detection. Valid from 0 to 507 (0x1FB).
R98 (0x0062) Sample_Rate_Sequence_Select_2	8:0	WSEQ_SAMPLE_RATE_DETECT_B_INDEX[8:0]	0x1FF	Sample Rate B Write Sequence start index. Contains the index location in the sequencer memory of the first command in the sequence associated with Sample Rate B detection. Valid from 0 to 507 (0x1FB).
R99 (0x0063) Sample_Rate_Sequence_Select_3	8:0	WSEQ_SAMPLE_RATE_DETECT_C_INDEX[8:0]	0x1FF	Sample Rate C Write Sequence start index. Contains the index location in the sequencer memory of the first command in the sequence associated with Sample Rate C detection. Valid from 0 to 507 (0x1FB).
R100 (0x0064) Sample_Rate_Sequence_Select_4	8:0	WSEQ_SAMPLE_RATE_DETECT_D_INDEX[8:0]	0x1FF	Sample Rate D Write Sequence start index. Contains the index location in the sequencer memory of the first command in the sequence associated with Sample Rate D detection. Valid from 0 to 507 (0x1FB).

4.19.3 DRC Signal-Detect Sequences

The DRC function within the CS47L90 digital core provides a configurable signal-detect function. This allows the signal level at the DRC input to be monitored and used to trigger other events.

The DRC signal-detect functions are enabled and configured using the fields described in [Table 4-17](#) and [Table 4-17](#) for DRC1 and DRC2 respectively.

A control-write sequence can be associated with a rising edge and/or a falling edge of the DRC1 signal-detect output. This is enabled by setting DRC1_WSEQ_SIG_DET_ENA, as described in [Table 4-17](#).

Note that signal detection is supported on DRC1 and DRC2, but the triggering of the control-write sequencer is available on DRC1 only.

When the DRC signal-detect sequence is enabled, the control-write sequencer is triggered whenever the DRC1 signal-detect output transitions (high or low). The applicable start index location within the sequencer memory is separately configurable for each logic condition.

The WSEQ_DRC1_SIG_DET_RISE_SEQ_INDEX field defines the sequencer start index corresponding to a DRC1 signal-detect rising edge event, as described in [Table 4-126](#). The WSEQ_DRC1_SIG_DET_FALL_SEQ_INDEX field defines the sequencer start index corresponding to a DRC1 signal-detect falling edge event.

Note that a sequencer start index of 0x1FF causes the respective sequence to be aborted.

The DRC signal-detect sequences cannot be independently enabled for rising and falling edges. Instead, a start index of 0x1FF can be used to disable the sequence for either edge, if required.

The DRC signal-detect control sequences are undefined following power-on reset, a hardware reset, or a Sleep Mode transition. The DRC signal-detect control sequences must be reconfigured by the host processor following any of these events. Note that all control sequences are maintained in the sequencer memory through software reset.

See [Section 4.3.5](#) for further details of the DRC function.

Table 4-126. Write Sequencer Control—DRC Signal-Detect

Register Address	Bit	Label	Default	Description
R110 (0x006E) Trigger_Sequence_Select_32	8:0	WSEQ_DRC1_SIG_DET_RISE_INDEX[8:0]	0x1FF	DRC1 Signal-Detect (Rising) Write Sequence start index. Contains the index location in the sequencer memory of the first command in the sequence associated with DRC1 Signal-Detect (Rising) detection. Valid from 0 to 507 (0x1FB).
R111 (0x006F) Trigger_Sequence_Select_33	8:0	WSEQ_DRC1_SIG_DET_FALL_INDEX[8:0]	0x1FF	DRC1 Signal-Detect (Falling) Write Sequence start index. Contains the index location in the sequencer memory of the first command in the sequence associated with DRC1 Signal-Detect (Falling) detection. Valid from 0 to 507 (0x1FB).

4.19.4 MICDET Clamp Sequences

The CS47L90 supports external accessory detection functions, including the MICDET clamp circuit. The MICDET clamp status can be used to trigger the control-write sequencer. The MICDET clamp is controlled by the JD1 and/or JD2 signals, as described in [Table 4-91](#).

A control-write sequence can be associated with a rising edge and/or a falling edge of the MICDET clamp status. This is configured using the fields described in [Table 4-91](#).

If one of the selected logic conditions is detected, the control-write sequencer is triggered. The applicable start index location within the sequencer memory is separately configurable for the rising and falling edge conditions.

The WSEQ_MICD_CLAMP_RISE_INDEX field defines the sequencer start index corresponding to a MICDET clamp rising edge (clamp active) event, as described in [Table 4-127](#). The WSEQ_MICD_CLAMP_FALL_INDEX field defines the sequencer start index corresponding to a MICDET clamp falling edge event.

Note that a sequencer start index of 0x1FF causes the respective sequence to be aborted.

The MICDET clamp control sequences are undefined following power-on reset, a hardware reset, or a Sleep Mode transition. The MICDET clamp control sequences must be reconfigured by the host processor following any of these events. Note that all control sequences are maintained in the sequencer memory through software reset.

See [Section 4.13](#) for further details of the MICDET clamp status signals.

Table 4-127. Write Sequencer Control—MICDET Clamp

Register Address	Bit	Label	Default	Description
R102 (0x0066) Always_On_Triggers_Sequence_Select_1	8:0	WSEQ_MICD_CLAMP_RISE_INDEX[8:0]	0x1FF	MICDET Clamp (Rising) Write Sequence start index. Contains the index location in the sequencer memory of the first command in the sequence associated with MICDET clamp (Rising) detection. Valid from 0 to 507 (0x1FB).
R103 (0x0067) Always_On_Triggers_Sequence_Select_2	8:0	WSEQ_MICD_CLAMP_FALL_INDEX[8:0]	0x1FF	MICDET Clamp (Falling) Write Sequence start index. Contains the index location in the sequencer memory of the first command in the sequence associated with MICDET clamp (Falling) detection. Valid from 0 to 507 (0x1FB).

4.19.5 Event Logger Sequences

The CS47L90 provides eight event log functions, for monitoring and recording internal or external signals. The logged events are held in a FIFO buffer, from which the application software can read details of the detected logic transitions.

The control-write sequencer is automatically triggered whenever the NOT_EMPTY status of the event log buffer is asserted. A different control sequence may be configured for each event logger.

The WSEQ_EVENTLOG_n_INDEX field defines the sequencer start index corresponding to respective event logger (where *n* is 1 to 8), as described in [Table 4-128](#).

Note that a sequencer start index of 0x1FF causes the respective sequence to be aborted.

The event logger control sequences are undefined following power-on reset, a hardware reset, or a Sleep Mode transition. The event logger control sequences must be reconfigured by the host processor following any of these events. Note that all control sequences are maintained in the sequencer memory through software reset.

See [Section 4.5.2](#) for further details of the event loggers.

Table 4-128. Write Sequencer Control—Event Loggers

Register Address	Bit	Label	Default	Description
R120 (0x0078) Eventlog_ Sequence_ Select_1	8:0	WSEQ_ EVENTLOG1_ INDEX[8:0]	0x1FF	Event Log 1 Write Sequence start index. Contains the index location in the sequencer memory of the first command in the sequence associated with Event Log 1 FIFO Not-Empty detection. Valid from 0 to 507 (0x1FB).
R121 (0x0079) Eventlog_ Sequence_ Select_2	8:0	WSEQ_ EVENTLOG2_ INDEX[8:0]	0x1FF	Event Log 2 Write Sequence start index. Contains the index location in the sequencer memory of the first command in the sequence associated with Event Log 2 FIFO Not-Empty detection. Valid from 0 to 507 (0x1FB).
R122 (0x007A) Eventlog_ Sequence_ Select_3	8:0	WSEQ_ EVENTLOG3_ INDEX[8:0]	0x1FF	Event Log 3 Write Sequence start index. Contains the index location in the sequencer memory of the first command in the sequence associated with Event Log 3 FIFO Not-Empty detection. Valid from 0 to 507 (0x1FB).
R123 (0x007B) Eventlog_ Sequence_ Select_4	8:0	WSEQ_ EVENTLOG4_ INDEX[8:0]	0x1FF	Event Log 4 Write Sequence start index. Contains the index location in the sequencer memory of the first command in the sequence associated with Event Log 4 FIFO Not-Empty detection. Valid from 0 to 507 (0x1FB).
R124 (0x007C) Eventlog_ Sequence_ Select_5	8:0	WSEQ_ EVENTLOG5_ INDEX[8:0]	0x1FF	Event Log 5 Write Sequence start index. Contains the index location in the sequencer memory of the first command in the sequence associated with Event Log 5 FIFO Not-Empty detection. Valid from 0 to 507 (0x1FB).
R125 (0x007D) Eventlog_ Sequence_ Select_6	8:0	WSEQ_ EVENTLOG6_ INDEX[8:0]	0x1FF	Event Log 6 Write Sequence start index. Contains the index location in the sequencer memory of the first command in the sequence associated with Event Log 6 FIFO Not-Empty detection. Valid from 0 to 507 (0x1FB).
R126 (0x007E) Eventlog_ Sequence_ Select_7	8:0	WSEQ_ EVENTLOG7_ INDEX[8:0]	0x1FF	Event Log 7 Write Sequence start index. Contains the index location in the sequencer memory of the first command in the sequence associated with Event Log 7 FIFO Not-Empty detection. Valid from 0 to 507 (0x1FB).
R127 (0x007F) Eventlog_ Sequence_ Select_8	8:0	WSEQ_ EVENTLOG8_ INDEX[8:0]	0x1FF	Event Log 8 Write Sequence start index. Contains the index location in the sequencer memory of the first command in the sequence associated with Event Log 8 FIFO Not-Empty detection. Valid from 0 to 507 (0x1FB).

4.19.6 Boot Sequence

The CS47L90 executes a boot sequence following power-on reset, hardware reset, software reset, or wake-up from Sleep Mode. The boot sequence configures the CS47L90 with factory-set trim (calibration) data. See [Section 4.23](#) and [Section 4.24](#) for further details.

The start index location of the boot sequence is 384 (0x180). See [Table 4-133](#) for details of the write sequencer memory allocation.

The boot sequence can be commanded at any time by writing 1 to the WSEQ_BOOT_START bit.

Table 4-129. Write Sequencer Control—Boot Sequence

Register Address	Bit	Label	Default	Description
R24 (0x0018) Write_Sequencer_ Ctrl_2	1	WSEQ_BOOT_ START	0	Writing 1 to this bit starts the write sequencer at the index location configured for the Boot Sequence. The Boot Sequence start index is 384 (0x180).

4.19.7 Sequencer Status Indication

The status of the write sequencer can be read using WSEQ_BUSY and WSEQ_CURRENT_INDEX, as described in [Table 4-130](#). When the WSEQ_BUSY bit is asserted, this indicates that the write sequencer is busy.

The index address of the most recent write sequencer command can be read from the WSEQ_CURRENT_INDEX field. This can be used to provide a precise indication of the write sequencer progress.

Table 4-130. Write Sequencer Control—Status Indication

Register Address	Bit	Label	Default	Description
R23 (0x0017) Write_Sequencer_ Ctrl_1	9	WSEQ_BUSY (read only)	0	Sequencer Busy flag (Read Only). 0 = Sequencer idle 1 = Sequencer busy
	8:0	WSEQ_CURRENT_ INDEX[8:0] (read only)	0x000	Sequence Current Index. This indicates the memory location of the most recently accessed command in the write sequencer memory. Coding is the same as WSEQ_START_INDEX.

4.19.8 Programming a Sequence

A control-write sequence comprises a series of write operations to data bits within the control register map. Standard write operations are defined by five fields, contained within a single 32-bit register. An extended instruction set is also defined; the associated actions make use of alternate definitions of the 32-bit registers.

The sequencer instruction fields are replicated 508 times, defining each of the sequencer's 508 possible index addresses. Many sequences can be stored in the sequencer memory at the same time, with each assigned a unique range of index addresses. The WSEQ_DELAY n field is used to identify the end-of-sequence position, as described below.

The general definition of the sequencer instruction fields is described as follows, where n denotes the sequencer index address (valid from 0 to 507):

- WSEQ_DATA_WIDTH n is a 3-bit field that identifies the width of the data block to be written. Note that the maximum value of this field selects a width of 8 bits; writes to fields that are larger than 8 bits wide must be performed using two separate operations of the write sequencer.
- WSEQ_ADDR n is a 12-bit field containing the register address in which the data should be written. The applicable register address is referenced to the base address currently configured for the sequencer—it is calculated as: (base address * 512) + WSEQ_ADDR n . Note that the base address is configured using the sequencer's extended instruction set.
- WSEQ_DELAY n is a 4-bit field that controls the waiting time between the current step and the next step in the sequence (i.e., the delay occurs after the write in which it was called). The total delay time per step (including execution) is defined below, giving a useful range of execution/delay times from 3.3 μ s up to 1 s per step.
 - If WSEQ_DELAY n = 0x0 or 0xF, the step execution time is 3.3 μ s
 - For all other values, the step execution time is 61.44 μ s x ((2 WSEQ_DELAY) – 1)
 - Setting this field to 0xF identifies the step as the last in the sequence
- WSEQ_DATA_START n is a 4-bit field that identifies the LSB position within the selected control register to which the data should be written. For example, setting WSEQ_DATA_START n = 0100 selects bit [4] as the LSB position of the data to be written.
- WSEQ_DATA n is an 8-bit field that contains the data to be written to the selected control register. The WSEQ_DATA_WIDTH n field determines how many of these bits are written to the selected control register; the most significant bits (above the number indicated by WSEQ_DATA_WIDTH n) are ignored.

The extended instruction set for the write sequencer is accessed by setting WSEQ_MODE n (bit [28]) in the respective sequencer definition register. The extended instruction set comprises the following functions:

- If bits [31:24] = 0x11, the register base address is set equal to the value contained in bits [23:0].
- If bits [31:16] = 0x12FF, the sequencer performs an unconditional jump to the index location defined in bits [15:0]. The index location is valid in the range 0 to 507 (0x1FB).
- All other settings within the extended instruction set are reserved.

The control field definitions for Step 0 are described in [Table 4-131](#). The equivalent definitions also apply to Step 1 through Step 507, in the subsequent register address locations.

Table 4-131. Write Sequencer Control—Programming a Sequence

Register Address	Bit	Label	Default	Description
R12288 (0x3000) WSEQ_ Sequence_1	31:29	WSEQ_DATA_ WIDTH0[2:0]	000	Width of the data block written in this sequence step. 000 = 1 bit 011 = 4 bits 110 = 7 bits 001 = 2 bits 100 = 5 bits 111 = 8 bits 010 = 3 bits 101 = 6 bits
	28	WSEQ_MODE0	0	Extended Sequencer Instruction select 0 = Basic instruction set 1 = Extended instruction set
	27:16	WSEQ_ADDR0[11:0]	0x000	Control Register Address to be written to in this sequence step. The register address is calculated as: (Base Address * 512) + WSEQ_ADDRn. Base Address is 0x00_0000 by default, and is configured using the sequencer's extended instruction set.
	15:12	WSEQ_DELAY0[3:0]	0000	Time delay after executing this step. 0x0 = 3.3 μs 0x1 to 0xE = 61.44 μs x ((2 ^{WSEQ_DELAY})-1) 0xF = End of sequence marker
	11:8	WSEQ_DATA_ START0[3:0]	0000	Bit position of the LSB of the data block written in this sequence step. 0000 = Bit 0 ... 1111 = Bit 15
	7:0	WSEQ_DATA0[7:0]	0x00	Data to be written in this sequence step. When the data width is less than 8 bits, one or more of the MSBs of WSEQ_DATA _n are ignored. It is recommended that unused bits be cleared.

4.19.9 Sequencer Memory Definition

The write sequencer memory defines up to 508 write operations; these are indexed as 0 to 507 in the sequencer memory map.

The write sequencer memory reverts to its default contents following power-on reset, a hardware reset, or a Sleep Mode transition. In these cases, the sequence memory contains the boot sequence and the OUT1–OUT3 signal path enable/disable sequences; the remainder of the sequence memory is undefined.

User-defined sequences can be programmed after power-up. The user-defined control sequences must be reconfigured by the host processor following power-on reset, a hardware reset, or a Sleep Mode transition. Note that all control sequences are maintained in the sequencer memory through software reset. See [Section 5.2](#) for a summary of the CS47L90 memory reset conditions.

The default control sequences can be overwritten in the sequencer memory, if required. Note that the headphone/earpiece output path enable bits (HP_{nx}_ENA) always trigger the write sequencer (at the predetermined start index addresses).

Writing 1 to the WSEQ_LOAD_MEM bit clears the sequencer memory to the power-on reset state.

Table 4-132. Write Sequencer Control—Load Memory Control

Register Address	Bit	Label	Default	Description
R24 (0x0018) Write_Sequencer_Ctrl_2	0	WSEQ_LOAD_ MEM	0	Writing 1 to this bit resets the sequencer memory to the power-on reset state.

The sequencer memory is summarized in [Table 4-133](#). User-defined sequences should be assigned space within the allocated portion (user space) of the write sequencer memory.

The start index for the user-defined sequences is configured using the fields described in [Table 4-124](#) through [Table 4-128](#).

Table 4-133. Write Sequencer Memory Allocation

Description	Sequence Index Range
Default Sequences	0 to 302
User Space	303 to 383
Boot Sequence	384 to 507

4.20 Charge Pumps, Regulators, and Voltage Reference

The CS47L90 incorporates two charge-pump circuits and an LDO-regulator circuit to generate supply rails for internal functions and to support external microphone requirements. The CS47L90 also provides two MICBIAS generators (with eight switchable outputs), which provide low noise reference voltages suitable for biasing ECM-type microphones or powering digital microphones.

Refer to [Section 5.1](#) for recommended external components.

The CPVDD domain (1.8 V) powers the Charge Pump 1 and Charge Pump 2 circuits. The CPVDD2 power domain (1.2 V) is an additional supply used by Charge Pump 1 only.

4.20.1 Charge Pump 1

Charge Pump 1 (CP1) is used to generate the positive and negative supply rails for the analog output drivers. CP1 is enabled automatically by the CS47L90 when required by the output drivers.

The Charge Pump 1 circuit is shown in [Fig. 4-75](#).

4.20.2 Charge Pump 2 and LDO2 Regulator

Charge Pump 2 (CP2) powers LDO2, which provides the supply rail for analog input circuits and for the MICBIAS generators. CP2 and LDO2 are enabled by setting CP2_ENA.

The 32-kHz clock must be configured and enabled when using CP2. See [Section 4.17](#) for details of the system clocks.

When CP2 and LDO2 are enabled, the MICVDD voltage is selected using the LDO2_VSEL field. Note that, when one or more of the MICBIAS generators is operating in normal (regulator) mode, the MICVDD voltage must be at least 200 mV greater than the highest selected MICBIASn output voltages.

When CP2 and LDO2 are enabled, an internal bypass path may be selected, connecting the MICVDD pin directly to the CPVDD supply. This path is controlled using the CP2_BYPASS bit. Note that the bypass path is only supported when CP2 is enabled.

When CP2 is disabled, the CP2VOUT pin can be configured to be floating or to be actively discharged. This is selected using the CP2_DISCH bit.

When LDO2 is disabled, the MICVDD pin can be configured to be floating or to be actively discharged. This is selected using the LDO2_DISCH bit.

The MICVDD pin is connected to the output of LDO2. Note that the MICVDD does not support direct connection to an external supply; MICVDD is always powered internally to the CS47L90.

The Charge Pump 2 and LDO2 Regulator circuits are shown in [Fig. 4-75](#). The associated control bits are described in [Table 4-134](#).

Note that decoupling capacitors and flyback capacitors are required for these circuits. Refer to [Section 5.1](#) for recommended external components.

4.20.3 Microphone Bias (MICBIAS) Control

There are two MICBIAS generators, which provide low-noise reference voltages suitable for biasing ECM-type microphones or powering digital microphones. Refer to [Section 5.1.3](#) for recommended external components.

The MICBIAS generators are powered from MICVDD, which is generated by an internal charge pump and LDO, as shown in [Fig. 4-75](#).

Switchable outputs from the MICBIAS generators allow eight separate reference/supply outputs to be independently controlled. The MICBIAS regulators are enabled using the MICB1_ENA and MICB2_ENA bits. The MICBIAS output switches are enabled using the MICB1x_ENA and MICB2x_ENA (where x is A, B, C, or D).

Note that, to enable any of the MICBIAS_{nx} outputs, both the output switch and the respective regulator must be enabled.

When a MICBIAS output is disabled, it can be configured to be floating or to be actively discharged. This is configured using the MICB_n_DISCH bits (for the MICBIAS regulators), and the MICB_{nx}_DISCH bits (for the switched outputs). Each discharge path is only effective when the respective regulator, or switched output, is disabled.

The MICBIAS generators can each operate in Regulator Mode or in Bypass Mode. The applicable mode is selected using the MICB_n_BYPASS bits.

In Regulator Mode (MICB_n_BYPASS = 0), the output voltage is selected using the MICB_n_LVL fields. In this mode, MICVDD must be at least 200 mV greater than the required MICBIAS output voltages. The MICBIAS outputs are powered from the MICVDD pin and use the internal band-gap circuit as a reference.

In Regulator Mode, the MICBIAS regulators are designed to operate without external decoupling capacitors. The regulators can be configured to support a capacitive load if required, using the MICB_n_EXT_CAP bits. (This may be appropriate for a DMIC supply.) It is important that the external capacitance is compatible with the applicable MICB_n_EXT_CAP setting. The compatible load conditions are detailed in [Table 3-11](#).

In Bypass Mode (MICB_n_BYPASS = 1), the respective outputs (MICBIAS_{nx}), when enabled, are connected directly to MICVDD. This enables a low power operating state. Note that the MICB_n_EXT_CAP settings are not applicable in Bypass Mode—there are no restrictions on the external MICBIAS capacitance in Bypass Mode.

The MICBIAS generators incorporate a pop-free control circuit to ensure smooth transitions when the MICBIAS outputs are enabled or disabled in Bypass Mode; this feature is enabled using the MICB_n_RATE bits.

The MICBIAS generators are shown in [Fig. 4-75](#). The MICBIAS control fields are described in [Table 4-134](#).

The maximum output current for each MICBIAS regulator is noted in [Table 3-11](#). This limit must be observed for each set of MICBIAS_{nx} outputs, especially if more than one microphone is connected to a single regulator. Note that the maximum output current differs between Regulator Mode and Bypass Mode.

4.20.4 Voltage-Reference Circuit

The CS47L90 incorporates a voltage-reference circuit, powered by AVDD. This circuit ensures the accuracy of the LDO-regulator and MICBIAS voltage settings.

4.20.5 Block Diagram and Control Registers

The charge-pump and regulator circuits are shown in [Fig. 4-75](#). Note that decoupling capacitors and flyback capacitors are required for these circuits. Refer to [Section 5.1](#) for recommended external components.

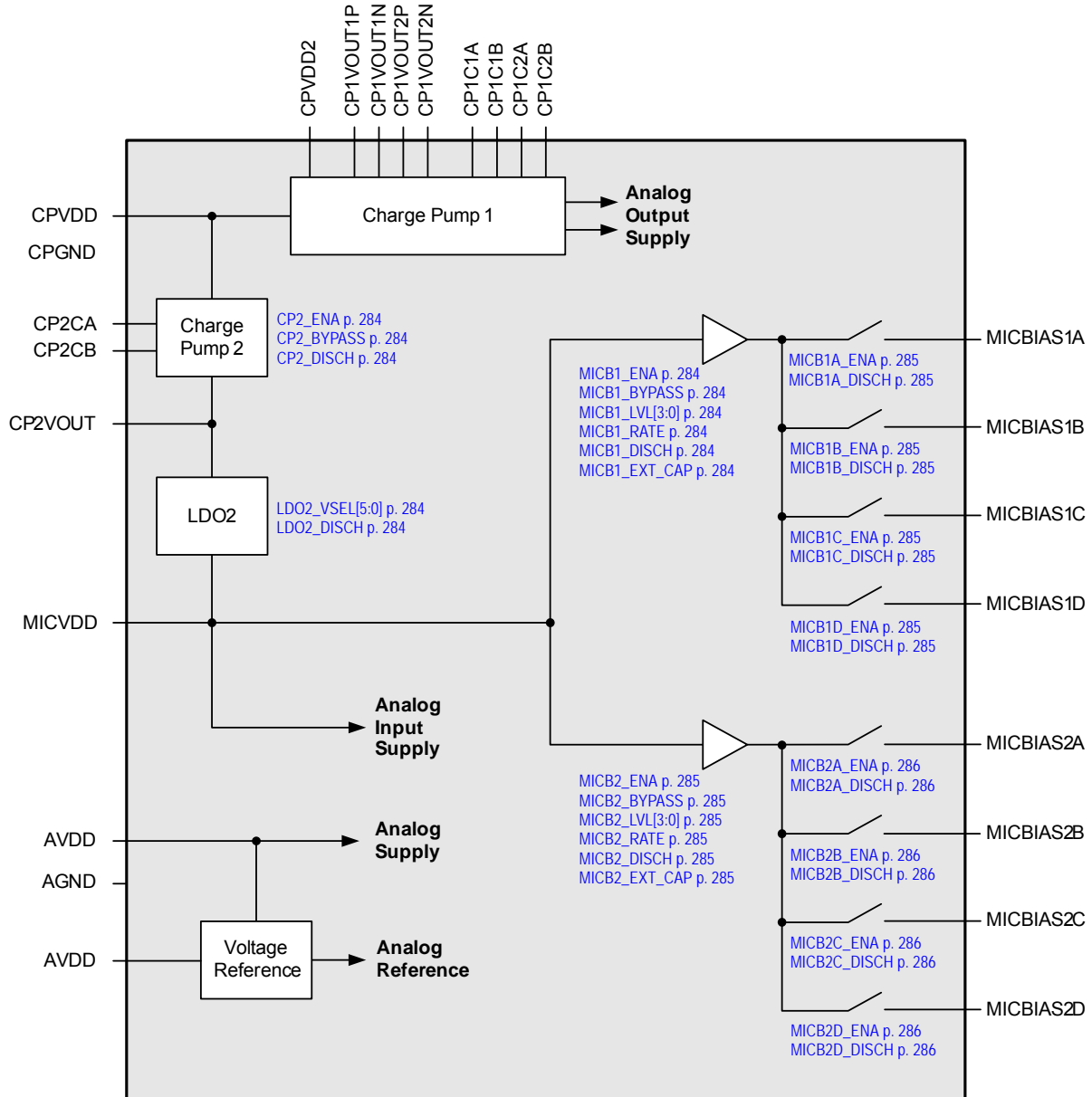


Figure 4-75. Charge Pumps and Regulators

The charge-pump and regulator control registers are described in [Table 4-134](#).

Table 4-134. Charge-Pump and LDO Control Registers

Register Address	Bit	Label	Default	Description
R512 (0x0200) Mic_Charge_Pump_1	2	CP2_DISCH	1	Charge Pump 2 Discharge 0 = CP2VOUT floating when disabled 1 = CP2VOUT discharged when disabled
	1	CP2_BYPASS	1	Charge Pump 2 and LDO2 Bypass Mode 0 = Normal 1 = Bypass Mode In Bypass Mode, CPVDD is connected directly to MICVDD. Note that CP2_ENA must also be set.
	0	CP2_ENA	1	Charge Pump 2 and LDO2 Control (Provides analog input and MICVDD supplies) 0 = Disabled 1 = Enabled
R531 (0x0213) LDO2_Control_1	10:5	LDO2_VSEL[5:0]	0x1F	LDO2 Output Voltage Select 1 0x00 = 0.900 V 0x13 = 1.375 V ... (100-mV steps) 0x01 = 0.925 V 0x14 = 1.400 V 0x26 = 3.200 V 0x02 = 0.950 V 0x15 = 1.500 V 0x27 to 0x3F = 3.300 V ... (25-mV steps) 0x16 = 1.600 V
	2	LDO2_DISCH	1	LDO2 Discharge 0 = MICVDD floating when disabled 1 = MICVDD discharged when disabled
R536 (0x0218) Mic_Bias_Ctrl_1	15	MICB1_EXT_CAP	0	Microphone Bias 1 External Capacitor (when MICB1_BYPASS = 0). Configures the MICBIAS1 regulator according to the specified capacitance connected to the MICBIAS1x outputs. 0 = No external capacitor 1 = External capacitor connected
	8:5	MICB1_LVL[3:0]	0x7	Microphone Bias 1 Voltage Control (when MICB1_BYPASS = 0) 0x0 = 1.5 V ... (0.1-V steps) 0xD to 0xF = 2.8 V 0x1 = 1.6 V 0xC = 2.7 V
	3	MICB1_RATE	0	Microphone Bias 1 Rate (Bypass Mode) 0 = Fast start-up/shutdown 1 = Pop-free start-up/shutdown
	2	MICB1_DISCH	1	Microphone Bias 1 Discharge 0 = MICBIAS1 floating when disabled 1 = MICBIAS1 discharged when disabled
	1	MICB1_BYPASS	1	Microphone Bias 1 Mode 0 = Regulator Mode 1 = Bypass Mode
	0	MICB1_ENA	0	Microphone Bias 1 Enable 0 = Disabled 1 = Enabled

Table 4-134. Charge-Pump and LDO Control Registers (Cont.)

Register Address	Bit	Label	Default	Description
R542 (0x021E) Mic_Bias_Ctrl_6	13	MICB2D_DISCH	0	Microphone Bias 2D Discharge 0 = MICBIAS2D floating when disabled 1 = MICBIAS2D discharged when disabled
	12	MICB2D_ENA	0	Microphone Bias 2D Enable 0 = Disabled 1 = Enabled
	9	MICB2C_DISCH	0	Microphone Bias 2C Discharge 0 = MICBIAS2C floating when disabled 1 = MICBIAS2C discharged when disabled
	8	MICB2C_ENA	0	Microphone Bias 2C Enable 0 = Disabled 1 = Enabled
	5	MICB2B_DISCH	0	Microphone Bias 2B Discharge 0 = MICBIAS2B floating when disabled 1 = MICBIAS2B discharged when disabled
	4	MICB2B_ENA	0	Microphone Bias 2B Enable 0 = Disabled 1 = Enabled
	1	MICB2A_DISCH	0	Microphone Bias 2A Discharge 0 = MICBIAS2A floating when disabled 1 = MICBIAS2A discharged when disabled
	0	MICB2A_ENA	0	Microphone Bias 2A Enable 0 = Disabled 1 = Enabled

1. See [Table 4-135](#) for LDO2 output voltage definition.

[Table 4-135](#) lists the LDO2 voltage control settings.

Table 4-135. LDO2 Voltage Control

LDO2_VSEL[5:0]	LDO Output	LDO2_VSEL[5:0]	LDO Output
0x00	0.900 V	0x15	1.500 V
0x01	0.925 V	0x16	1.600 V
0x02	0.950 V	0x17	1.700 V
0x03	0.975 V	0x18	1.800 V
0x04	1.000 V	0x19	1.900 V
0x05	1.025 V	0x1A	2.000 V
0x06	1.050 V	0x1B	2.100 V
0x07	1.075 V	0x1C	2.200 V
0x08	1.100 V	0x1D	2.300 V
0x09	1.125 V	0x1E	2.400V
0x0A	1.150 V	0x1F	2.500 V
0x0B	1.175 V	0x20	2.600 V
0x0C	1.200 V	0x21	2.700 V
0x0D	1.225 V	0x22	2.800 V
0x0E	1.250 V	0x23	2.900 V
0x0F	1.275 V	0x24	3.000 V
0x10	1.300 V	0x25	3.100 V
0x11	1.325 V	0x26	3.200 V
0x12	1.350 V	0x27	3.300 V
0x13	1.375 V	0x28 to 0x3F	3.300 V
0x14	1.400 V		

4.21 JTAG Interface

The JTAG interface provides test and debug access to the CS47L90 DSP core. The interface comprises five pins, detailed as follows:

- TCK: clock input
- TDI: data input
- TDO: data output
- TMS: mode select input
- TRST: test access port reset input (active low)

For normal operation (test and debug access disabled), the JTAG interface should be held in reset (i.e., TRST should be at Logic 0). An internal pull-down resistor holds the TRST pin low when not actively driven. External connection to DGND is recommended, if the JTAG interface function is not required.

The other JTAG input pins (TCK, TDI, TMS) should also be held at Logic 0 for normal operation. An internal pull-down resistor holds these pins low when not actively driven.

If the JTAG interface is enabled (TRST deasserted and TCK active) at the time of any reset, a software reset must be scheduled, with the TCK input stopped or TRST asserted (Logic 0), before using the JTAG interface.

It is recommended to always schedule a software reset before starting the JTAG clock or deasserting the JTAG reset. In this event, the JTAG interface should be held in its reset state until the software reset has completed, and the BOOT_DONE_STSx bits have been set.

See [Section 4.24](#) for further details of the CS47L90 software reset.

4.22 Short-Circuit Protection

The CS47L90 provides short-circuit protection on the headphone output drivers.

The short-circuit protection function for the headphone output paths operates continuously if the respective output driver is enabled. If a short circuit is detected on the headphone output, current limiting is applied to protect the respective output driver. Note that the driver continues to operate, but the output is current-limited.

The headphone short-circuit protection function provides input to the interrupt control circuit and can be used to trigger an interrupt event when a short-circuit condition is detected; see [Section 4.16](#).

4.23 Power-On Reset (POR)

The CS47L90 remains in the reset state until AVDD, DBVDD1, and DCVDD are above their respective reset thresholds. Note that specified device performance is not assured outside the voltage ranges defined in [Table 3-3](#).

After the initial power-up, the POR is rescheduled following an interruption to the DBVDD1 or AVDD supplies.

If the CS47L90 SLIMbus component is in its operational state, it must be reset before scheduling a POR. See [Section 4.11](#) for details of the SLIMbus reset control messages.

4.23.1 Boot Sequence

Following power-on reset, a boot sequence is executed. The BOOT_DONE_STSx bits are asserted on completion of the boot sequence, as described in [Table 4-136](#). Control-register writes should not be attempted until BOOT_DONE_STSx has been asserted. Note that the BOOT_DONE_STS1 and BOOT_DONE_STS2 bits provide the same information.

The BOOT_DONE_STSx signal is an input to the interrupt control circuit and can be used to trigger an interrupt event on completion of the boot sequence; see [Section 4.16](#). Under default register conditions, a falling edge on the $\overline{\text{IRQ}}$ pin indicates completion of the boot sequence.

For details of the boot sequence, see [Section 4.19](#).

Table 4-136. Device Boot-Up Status

Register Address	Bit	Label	Default	Description
R6272 (0x1880) IRQ1_Raw_ Status_1	7	BOOT_DONE_ STS1	0	Boot Status 0 = Busy (boot sequence in progress) 1 = Idle (boot sequence completed) Control register writes should not be attempted until Boot Sequence has completed.
R6528 (0x1980) IRQ2_Raw_ Status_1	7	BOOT_DONE_ STS2	0	Boot Status 0 = Busy (boot sequence in progress) 1 = Idle (boot sequence completed) Control register writes should not be attempted until Boot Sequence has completed.

4.23.2 Digital I/O Status in Reset

Table 1-1 describes the default status of the CS47L90 digital I/O pins on completion of power-on reset, prior to any register writes. The same default conditions are also applicable on completion of a hardware reset or software reset (see Section 4.24).

The same default conditions are applicable following a wake-up transition, except for the $\overline{\text{IRQ}}$ and $\overline{\text{RESET}}$ pins. These are always-on pins whose configuration is unchanged in Sleep Mode and during a wake-up transition.

Note that the default conditions described in Table 1-1 are not valid if modified by the boot sequence or by a wake-up control sequence. See Section 4.19 for details of these functions.

4.24 Hardware Reset, Software Reset, Wake-Up, and Device ID

The CS47L90 supports hardware- and software-controlled reset functions. The reset functions, and the Sleep/Wake-Up state transitions, provide similar (but not identical) functionality. Each of these is described in the following subsections.

The CS47L90 device ID can be read from the Software_Reset (R0) control register, as described in Section 4.24.7.

4.24.1 Hardware Reset

The CS47L90 provides a hardware reset function, which is executed whenever the $\overline{\text{RESET}}$ input is asserted (Logic 0). The RESET input is active low and is referenced to the DBVDD1 power domain. A hardware reset causes all of the CS47L90 control registers to be reset to their default states.

An internal pull-up resistor is enabled by default on the $\overline{\text{RESET}}$ pin; this can be configured using the RESET_PU bit. A pull-down resistor is also available, as described in Table 4-137. When the pull-up and pull-down resistors are both enabled, the CS47L90 provides a bus keeper function on the RESET pin. The bus keeper function holds the input logic level unchanged whenever the external circuit removes the drive (e.g., if the signal is tristated).

If the CS47L90 SLIMbus component is in its operational state, it must be reset prior to scheduling a hardware reset. See Section 4.11 for details of the SLIMbus reset control messages.

Table 4-137. Reset Pull-Up/Pull-Down Configuration

Register Address	Bit	Label	Default	Description
R6864 (0x1AD0) AOD_Pad_Ctrl	1	RESET_PU	1	$\overline{\text{RESET}}$ Pull-up enable 0 = Disabled 1 = Enabled Note: If RESET_PD and RESET_PU are both set, a bus keeper function is enabled on the RESET pin.
	0	RESET_PD	0	$\overline{\text{RESET}}$ Pull-down enable 0 = Disabled 1 = Enabled Note: If RESET_PD and RESET_PU are both set, a bus keeper function is enabled on the RESET pin.

4.24.2 Software Reset

A software reset is executed by writing any value to register R0. A software reset causes most of the CS47L90 control registers to be reset to their default states. Note that the control-write sequencer memory is retained during software reset.

Note that the first register read/write operation following a software reset may be unsuccessful, if the register access is attempted via a different control interface to the one that commanded the software reset. Note that only the first register read/write is affected, and only when using more than one control interface.

4.24.3 Wake-Up

The CS47L90 is in Sleep Mode when AVDD and DBVDD1 are present, and DCVDD is below its reset threshold. (Note that specific control requirements are also applicable for entering Sleep Mode, as described in [Section 4.14](#).)

In Sleep Mode, most of the digital core (and control registers) are held in reset; selected functions and control registers are maintained via an always-on internal supply domain. See [Section 4.14](#) for details of the always-on functions.

A wake-up transition (from Sleep Mode) is similar to a software reset, but selected functions and control registers are maintained via an always-on internal supply domain—the always-on registers are not reset during wake-up. See [Section 4.14](#) for details of the always-on functions.

4.24.4 Write Sequencer and DSP Firmware Memory Control in Reset and Wake-Up

The control-write sequencer memory contents reverts to its default contents following power-on reset, a hardware reset, or a Sleep Mode transition. The control sequences (including any user-defined sequences) are maintained in the sequencer memory through software reset.

The DSP firmware memory contents are cleared following power-on reset, a hardware reset, or a Sleep Mode transition. The firmware memory contents are not affected by software reset, provided DCVDD is held above its reset threshold.

See [Section 5.2](#) for a summary of the CS47L90 memory reset conditions.

4.24.5 Boot Sequence

Following hardware reset, software reset, or wake-up from Sleep Mode, a boot sequence is executed. The BOOT_DONE_STSx bits (see [Table 4-136](#)) are deasserted during hardware reset and software reset, and also in Sleep Mode. The BOOT_DONE_STSx bits are asserted on completion of the boot sequence. Control register writes should not be attempted until BOOT_DONE_STSx has been asserted.

The BOOT_DONE_STSx status is an input to the interrupt control circuit and can be used to trigger an interrupt event; see [Section 4.16](#). Note that the BOOT_DONE_STS1 and BOOT_DONE_STS2 bits provide the same information.

For details of the boot sequence, see [Section 4.19](#).

4.24.6 Digital I/O Status in Reset

The status of the CS47L90 digital I/O pins following hardware reset, software reset, or wake-up is described in [Section 4.23](#).

4.24.7 Device ID

The device ID can be read from Register R0. The hardware revision can be read from Register R1.

The software revision can be read from Register R2. The software revision code is incremented if software driver compatibility or software feature support is changed.

Table 4-138. Device Reset and ID

Register Address	Bit	Label	Default	Description
R0 (0x0000) Software_Reset	15:0	SW_RST_DEV_ID[15:0]	0x6364	Writing to this register resets all registers to their default state. Reading from this register indicates Device ID 0x6338.
R1 (0x0001) Hardware_Revision	7:0	HW_REVISION[7:0]	—	Hardware Device revision. This field is incremented for every new revision of the device.
R2 (0x0002) Software_Revision	7:0	SW_REVISION[7:0]	—	Software Device revision. This field is incremented if software driver compatibility or software feature support is changed.

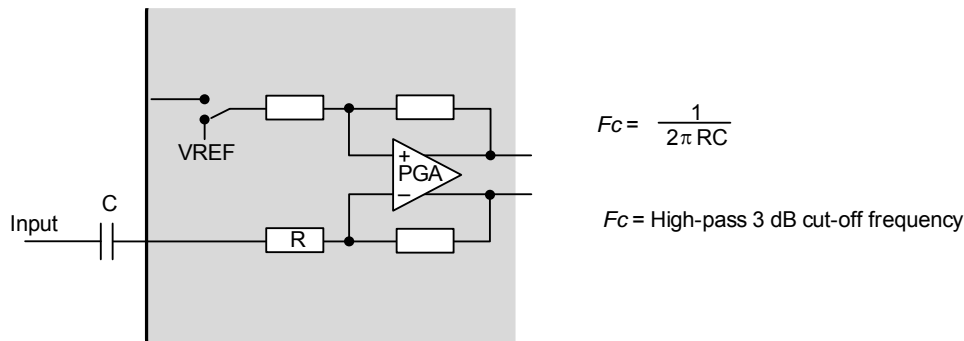
5 Applications

5.1 Recommended External Components

This section provides information on the recommended external components for use with the CS47L90.

5.1.1 Analog Input Paths

The CS47L90 supports up to seven analog audio input connections. Each input is biased to the internal DC reference, VREF. (Note that this reference voltage is present on the VREFC pin.) A DC-blocking capacitor is required for each analog input pin used in the target application. The choice of capacitor is determined by the filter that is formed between that capacitor and the impedance of the input pin. The circuit is shown in Fig. 5-1.


Figure 5-1. Audio Input Path DC-Blocking Capacitor

In accordance with the CS47L90 input pin resistance (see Table 3-5), a 1- μ F capacitance for all input connections gives good results in most cases, with a 3-dB cut-off frequency around 13 Hz.

Ceramic capacitors are suitable, but take care to ensure the desired capacitance is maintained at the AVDD operating voltage. Also, ceramic capacitors may show microphonic effects, where vibrations and mechanical conditions give rise to electrical signals. This is particularly problematic for microphone input paths where a large signal gain is required.

A single capacitor is required for a single-ended line or microphone input connection. For a differential input connection, a DC-blocking capacitor is required on both input pins.

The external connections for single-ended and differential microphones, incorporating the CS47L90 microphone bias circuit, are shown in Fig. 5-2.

5.1.2 DMIC Input Paths

The CS47L90 supports up to 10 channels of DMIC input; two channels of audio data can be multiplexed on each DMICDAT n pin. Each stereo pair is clocked using the respective DMICCLK n pin.

The external connections for digital microphones, incorporating the CS47L90 microphone bias circuit, are shown in [Fig. 5-4](#). Ceramic decoupling capacitors for the digital microphones may be required—refer to the specific recommendations for the application microphones.

If two microphones are connected to a single DMICDAT pin, the microphones must be configured to ensure that the Left mic transmits a data bit when DMICCLK is high, and the Right mic transmits a data bit when DMICCLK is low. The CS47L90 samples the DMIC data at the end of each DMICCLK phase. Each microphone must tristate its data output when the other microphone is transmitting. Integrated pull-down resistors can be enabled on the DMICDAT pins if required.

The voltage reference for each DMIC interface is selectable. It is important that the selected reference for the CS47L90 interface is compatible with the applicable configuration of the external microphone.

5.1.3 Microphone Bias Circuit

The CS47L90 is designed to interface easily with analog or digital microphones.

Each microphone requires a bias current (electret condenser microphones) or voltage supply (silicon microphones); these can be provided by the MICBIAS regulators on the CS47L90. Two MICBIAS generators are available; switchable outputs allow eight separate reference/supply outputs to be independently controlled.

Note that the MICVDD pin can also be used (instead of MICBIAS_{nx}) as a reference or power supply for external microphones. The MICBIAS outputs are recommended, as these offer better noise performance and independent enable/disable control.

Analog microphones may be connected in single-ended or differential configurations, as shown in [Fig. 5-2](#). The differential configuration provides better performance due to its rejection of common-mode noise; the single-ended method provides a reduction in external component count.

A bias resistor is required when using an ECM. The bias resistor should be chosen according to the minimum operating impedance of the microphone and MICBIAS voltage so that the maximum bias current of the CS47L90 is not exceeded.

A 2.2-k Ω bias resistor is recommended; this provides compatibility with a wide range of microphone components.

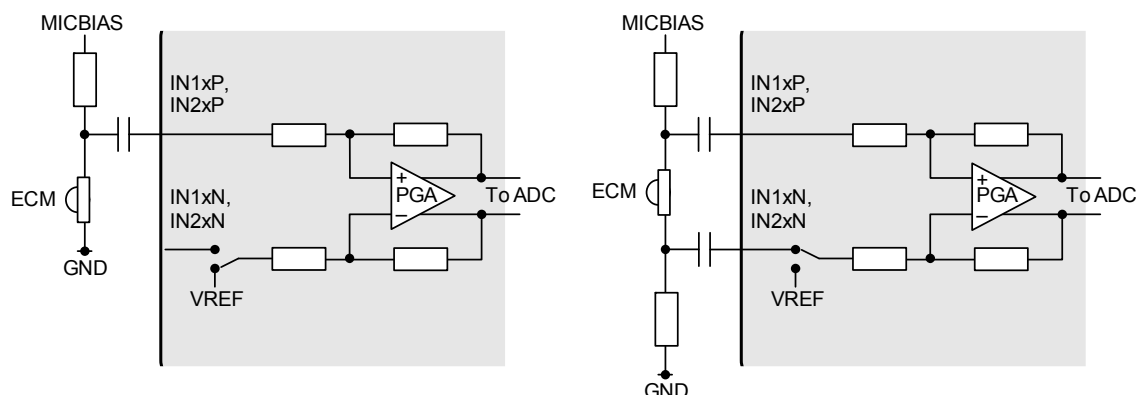


Figure 5-2. Single-Ended and Differential Analog Microphone Connections

Analog MEMS microphones can be connected to the CS47L90 as shown in [Fig. 5-3](#). In this configuration, the MICBIAS generators provide a low-noise supply for the microphones; a bias resistor is not required.

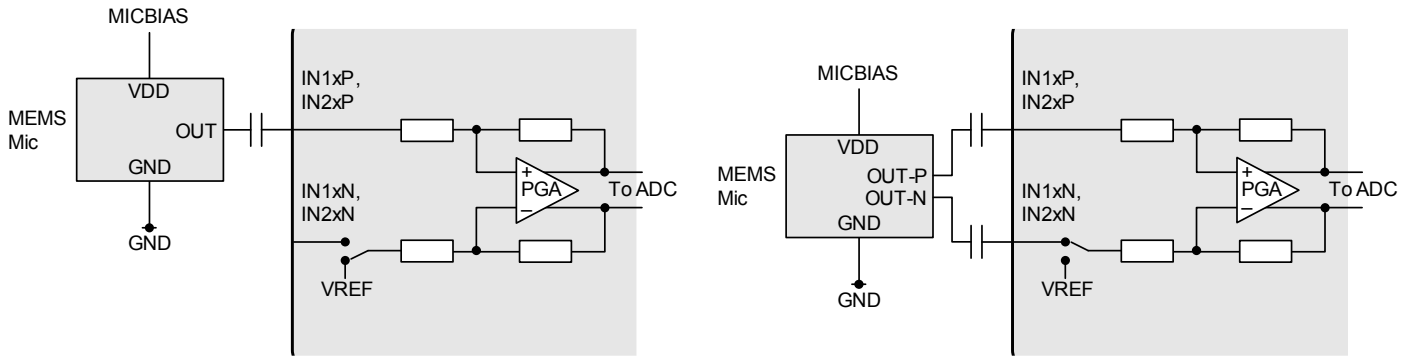


Figure 5-3. Single-Ended and Differential Analog Microphone Connections

DMIC connection to the CS47L90 is shown in Fig. 5-4. Note that ceramic decoupling capacitors at the DMIC power supply pins may be required—refer to the specific recommendations for the application microphones.

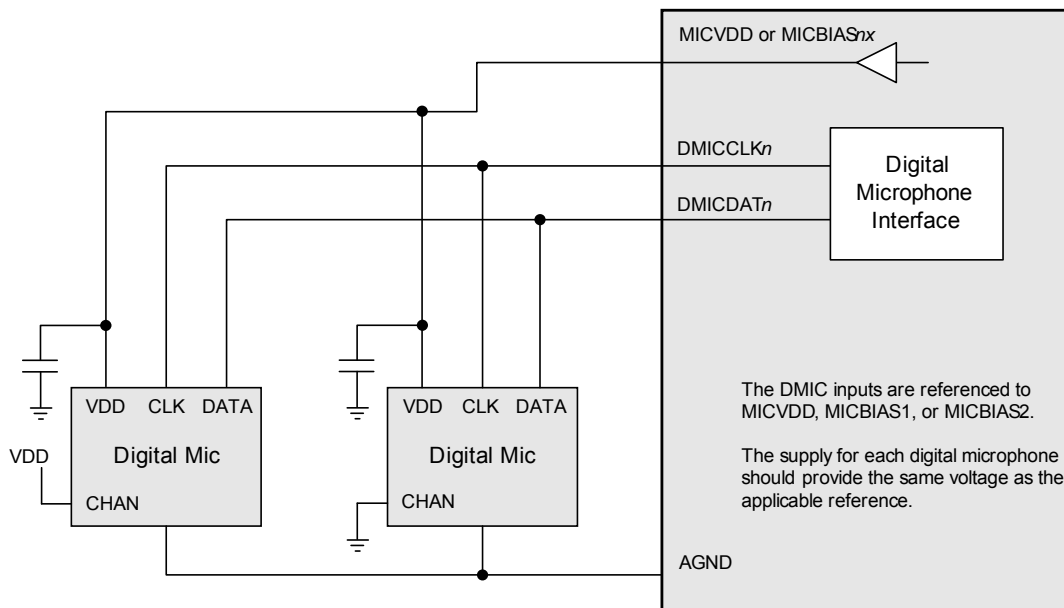


Figure 5-4. DMIC Connection

Each MICBIAS generator can operate in Regulator Mode or in Bypass Mode. See Section 4.20 for details of the MICBIAS generators.

In Regulator Mode, the MICBIAS regulators are designed to operate without external decoupling capacitors. The regulators can be configured to support a capacitive load if required (e.g., for DMIC supply decoupling). The compatible load conditions are detailed in Table 3-11.

If the capacitive load on MICBIAS1 or MICBIAS2 exceeds the specified conditions for Regulator Mode (e.g., due to a decoupling capacitor or long PCB trace), the respective generator must be configured in Bypass Mode.

The maximum output current for each MICBIAS regulator is noted in Table 3-11. This limit must be observed for each set of MICBIAS_{*nx*} outputs, especially if more than one microphone is connected to a single regulator. Note that the maximum output current differs between Regulator Mode and Bypass Mode. The MICBIAS output voltage can be adjusted using register control in Regulator Mode.

5.1.4 Headphone Driver Output Path

The CS47L90 provides three stereo headphone output drivers. These outputs are all ground referenced, allowing direct connection to the external loads. There is no requirement for DC-blocking capacitors.

In single-ended (default) configuration, the headphone outputs comprise six independently controlled output channels, for up to three stereo headphone or line outputs. In mono (BTL) mode, the headphone drivers support up to three differential outputs, suitable for a mono earpiece or hearing coil load.

The headphone outputs incorporate a common mode, or ground loop, feedback path that provides rejection of system-related ground noise. The feedback pins must be connected to ground for normal operation of the headphone outputs. The ground feedback path for HPOUT1 and HPOUT2 headphone paths is selected using the HP1_GND_SEL and HP2_GND_SEL bits respectively.

The feedback pins should be connected to GND as close as possible to the respective headphone jack ground pin, as shown in Fig. 5-5. In mono (differential) mode, the feedback pins should be connected to the ground plane that is closest to the earpiece output PCB tracks.

It is recommended to ensure that the electrical characteristics of the PCB traces for each output pair are closely matched. This is particularly important to matching the two traces of a differential (BTL) output.

Typical headphone and earpiece connections are shown in Fig. 5-5.

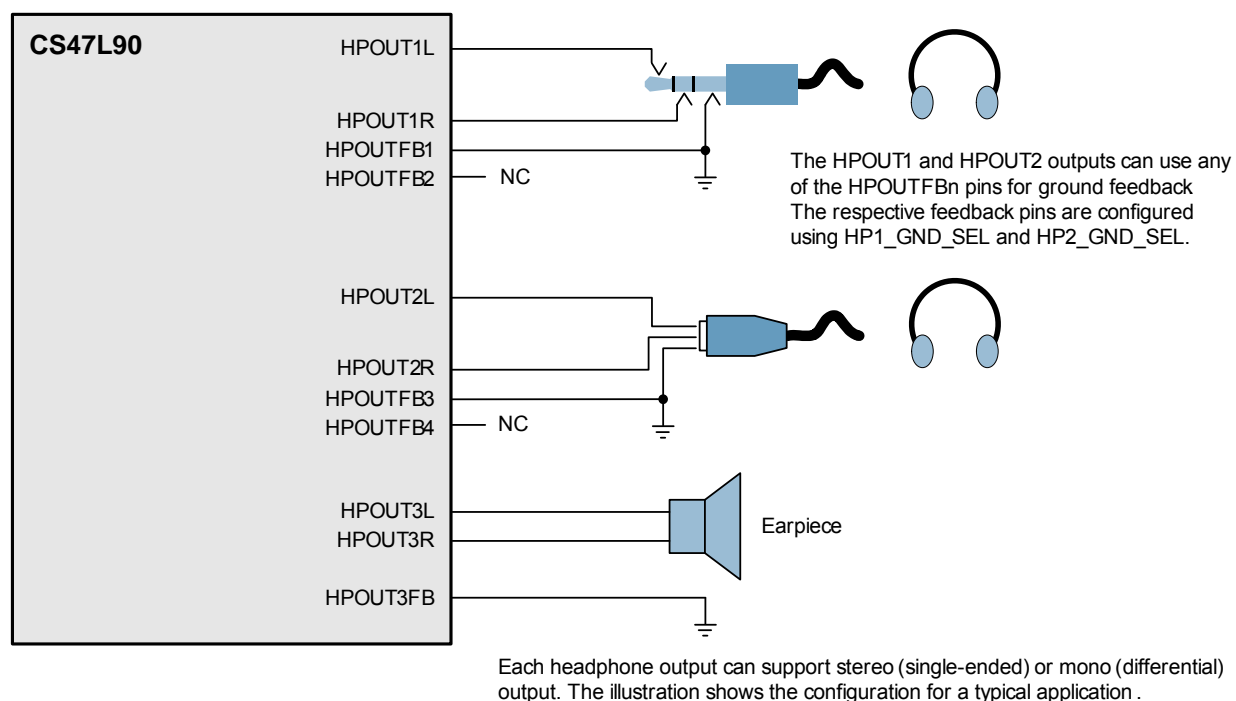


Figure 5-5. Headphone and Earpiece Connection

It is common for ESD diodes to be wired to pins that link to external connectors. This provides protection from potentially harmful ESD effects. In a typical application, ESD diodes would be recommended if the headphone paths (HPOUT1–HPOUT3) are used for external headphone or line output.

The HPOUT n outputs are ground-referenced, and the respective voltages may swing between +1.8V and –1.8V. The ESD diode configuration must be carefully chosen.

The recommended ESD diode configuration for these ground-referenced outputs is shown in Fig. 5-6. The back-to-back arrangement prevents clipping and distortion of the output signal.

Note that similar care is required when connecting the CS47L90 outputs to external circuits that provide input path ESD protection; the configuration on those input circuits must be correctly designed to accommodate ground-referenced signals.

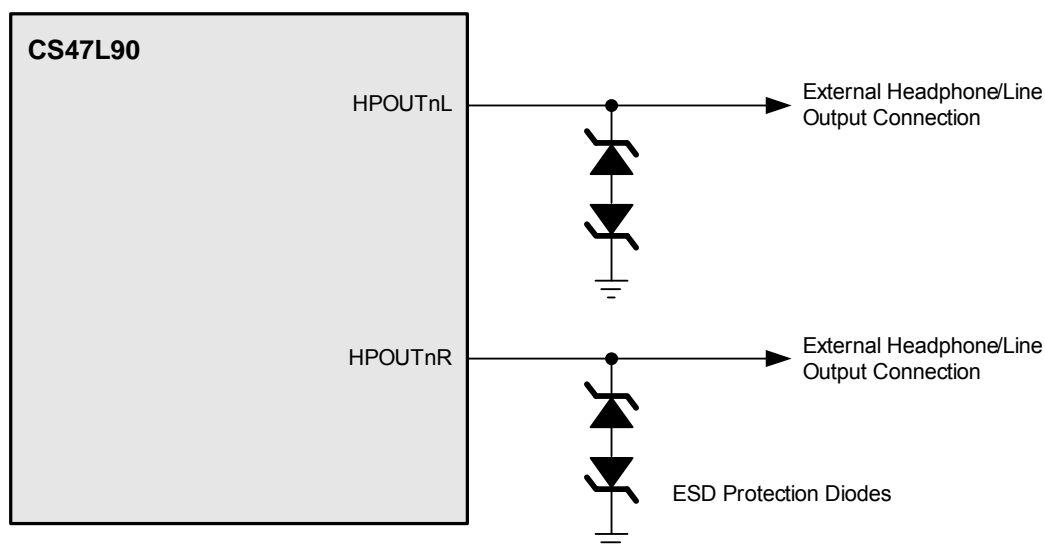


Figure 5-6. ESD Diode Configuration for External Output Connections

5.1.5 Power Supply/Reference Decoupling

Electrical coupling exists particularly in digital logic systems where switching in one subsystem causes fluctuations on the power supply. This effect occurs because the inductance of the power supply acts in opposition to the changes in current flow that are caused by the logic switching. The resultant variations (spikes) in the power-supply voltage can cause malfunctions and unintentional behavior in other components. A decoupling (bypass) capacitor can be used as an energy storage component that provides power to the decoupled circuit for the duration of these power-supply variations, protecting it from malfunctions that could otherwise arise.

Coupling also occurs in a lower frequency form when ripple is present on the power supply rail caused by changes in the load current or by limitations of the power-supply regulation method. In audio components such as the CS47L90, these variations can alter the performance of the signal path, leading to degradation in signal quality. A decoupling capacitor can be used to filter these effects by presenting the ripple voltage with a low-impedance path that does not affect the circuit to be decoupled.

These coupling effects are addressed by placing a capacitor between the supply rail and the corresponding ground reference. In the case of systems comprising multiple power supply rails, decoupling should be provided on each rail.

PCB layout is also a contributory factor for coupling effects. If multiple power supply rails are connected to a single supply source, it is recommended to provide separate PCB tracks connecting each rail to the supply. See [Section 5.5](#) for PCB-layout recommendations.

The recommended power-supply decoupling capacitors for CS47L90 are detailed in [Table 5-1](#).

Table 5-1. Power Supply Decoupling Capacitors

Power Supply	Decoupling Capacitor
AVDD1, AVDD2	2 x 1.0 μ F ceramic—one capacitor on each AVDD n pin
CPVDD1	4.7 μ F ceramic
CPVDD2	4.7 μ F ceramic
DBVDD1, DBVDD2, DBVDD3	3 x 0.1 μ F ceramic ¹ —one capacitor for each DBVDD n domain
DCVDD	1 x 1.0 μ F ceramic (connect to AA15, AB12) 1 x 1.0 μ F ceramic (connect to AB6, AA3) 1 x 1.0 μ F ceramic (connect to P16)

Table 5-1. Power Supply Decoupling Capacitors (Cont.)

Power Supply	Decoupling Capacitor
FLLVDD	1.0 μ F ceramic
MICVDD	4.7 μ F ceramic
VREFC	2.2 μ F ceramic

1. Total capacitance of 4.7 μ F is required for each DBVDD n domain. This can be provided by dedicated DBVDD n decoupling or by other capacitors on the same power rail.

All decoupling capacitors should be placed as close as possible to the CS47L90 device. The connection between AGND, the AVDD decoupling capacitor, and the main system ground should be made at a single point as close as possible to the AGND balls of the CS47L90.

Due to the wide tolerance of many types of ceramic capacitors, care must be taken to ensure that the selected components provide the required capacitance across the required temperature and voltage ranges in the intended application. For most application the use of ceramic capacitors with capacitor dielectric X5R is recommended.

5.1.6 Charge-Pump Components

The CS47L90 incorporates two charge-pump circuits (CP1 and CP2).

CP1 generates the CP1VOUT nx supply rails for the ground-referenced headphone drivers; CP2 generates the CP2VOUT supply rail for the microphone bias (MICBIAS) regulators.

Decoupling capacitors are required on each of the charge-pump outputs. Two fly-back capacitors are required for CP1; a single fly-back capacitor is required for CP2.

The recommended charge-pump capacitors for CS47L90 are detailed in [Table 5-2](#).

Table 5-2. Charge-Pump External Capacitors

Description	Capacitor
CP1VOUT1P decoupling	Required capacitance is 2.0 μ F at 2 V. Suitable component typically 4.7 μ F.
CP1VOUT1N decoupling	Required capacitance is 2.0 μ F at 2 V. Suitable component typically 4.7 μ F.
CP1 fly-back 1 (connect between CP1C1A and CP1C1B)	Required capacitance is 1.0 μ F at 2 V. Suitable component typically 2.2 μ F.
CP1VOUT2P decoupling	Required capacitance is 2.0 μ F at 2 V. Suitable component typically 4.7 μ F.
CP1VOUT2N decoupling	Required capacitance is 2.0 μ F at 2 V. Suitable component typically 4.7 μ F.
CP1 fly-back 2 (connect between CP1C2A and CP1C2B)	Required capacitance is 1.0 μ F at 2 V. Suitable component typically 2.2 μ F.
CP2VOUT decoupling	Required capacitance is 1.0 μ F at 3.6 V. Suitable component typically 4.7 μ F.
CP2 fly-back (connect between CP2CA and CP2CB)	Required capacitance is 220 nF at 2 V. Suitable component typically 470 nF.

Ceramic capacitors are recommended for these charge-pump requirements. Note that, due to the wide tolerance of many types of ceramic capacitors, care must be taken to ensure that the selected components provide the required capacitance across the required temperature and voltage ranges in the intended application. Ceramic capacitors with X5R dielectric are recommended.

The positioning of the charge-pump capacitors is important. These capacitors (particularly the fly-back capacitors) must be placed as close as possible to the CS47L90. The component choice and positioning of the CP1 components are more critical than those of CP2, due to the higher output power requirements of CP1.

5.1.7 External Accessory Detection Components

The external accessory detection circuit measures jack insertion using the JACKDET1 and JACKDET2 pins. The insertion switch status is detected using an internal pull-up resistor circuit on the respective pin. Note that the logic thresholds associated with the two JACKDET differ from each other, as described in [Table 3-11](#)—this provides support for different jack switch configurations.

Microphone detection and key-button press detection is supported using the MICDET n pins. The applicable pin should be connected to one of the MICBIAS n x outputs, via a 2.2-k Ω bias resistor, as described in [Section 5.1.3](#). Note that, when using the external accessory detection function, the MICBIAS n x resistor must be 2.2 k Ω \pm 2%.

A recommended circuit configuration, including headphone output on HPOUT1 and microphone connections, is shown in [Fig. 5-7](#). See [Section 5.1.1](#) for details of the DC-blocking microphone input capacitor selection.

The recommended external components and connections for microphone/push-button detection are shown in [Fig. 5-7](#).

Note that, when using the microphone detect circuit, it is recommended to use the IN1B or IN2B analog microphone input paths to ensure best immunity to electrical transients arising from the external accessory.

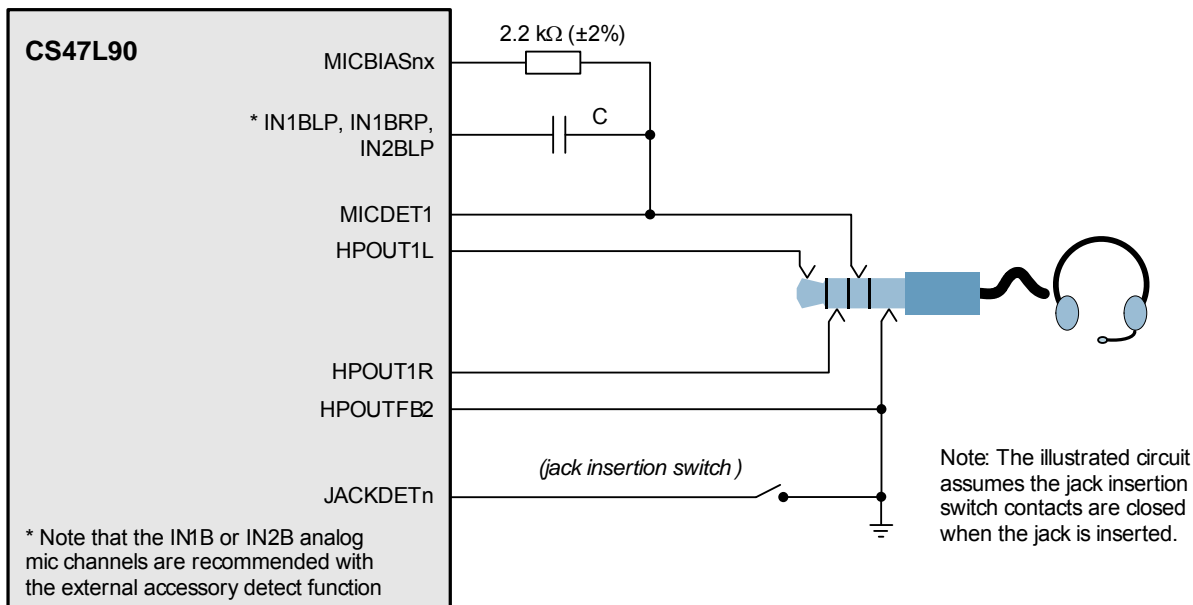


Figure 5-7. External Accessory Detection

The accessory detection circuit measures the impedance of an external load connected to one of the MICDET pins.

The microphone-detection circuit uses MICVDD, or any one of the MICBIAS n x sources, as a reference. The applicable source is configured using MICD n _BIAS_SRC.

With default register configuration, the CS47L90 can detect the presence of a typical microphone and up to four push buttons, using the components shown in [Fig. 5-8](#). When the microphone detection circuit is enabled, each of the push buttons shown causes a different bit in the MICD n _LVL field to be set.

The choice of external resistor values must take into account the impedance of the microphone—the detected impedance corresponds to the combined parallel resistance of the microphone and any asserted push button. The components shown in [Fig. 5-8](#) are examples only, assuming default impedance measurement ranges and a microphone impedance of 1 k Ω or higher.

The measured impedance is reported using the MICDm_STS and MICDm_LVL bits.

If no accessory or push button is detected, the MICDm_STS bit is cleared.

If MICDm_STS = 1, one of the MICDm_LVL bits is set to indicate the measured impedance.

The applicable MICDm_LVL bit for each push button is noted below.

Detection of the microphone alone (no push buttons closed) is indicated in MICDm_LVL[8].

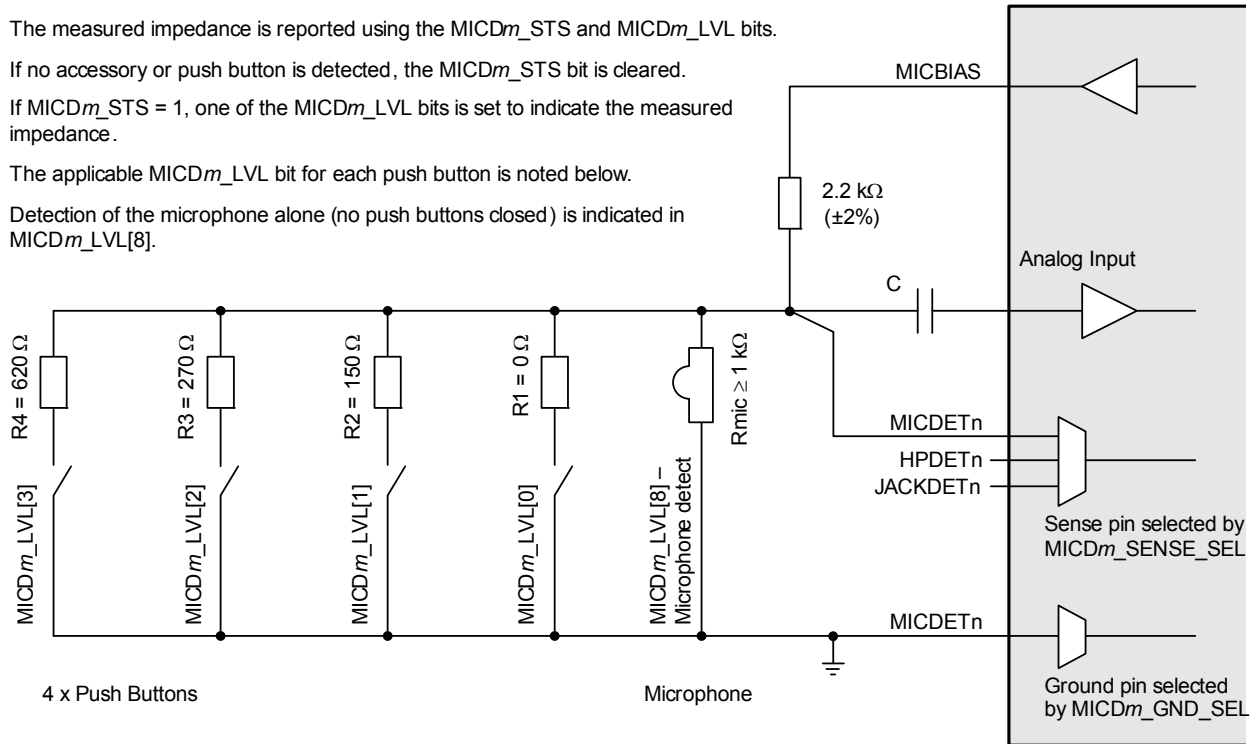


Figure 5-8. External Accessory Detect Components

5.2 Resets Summary

Table 5-3 summarizes the CS47L90 registers and other programmable memory under different reset conditions. The associated events and conditions are listed as follows:

- A power-on reset occurs when AVDD or DBVDD1 is below its respective reset threshold. Note that DCVDD is also required for initial start-up; subsequent interruption to DCVDD should only be permitted as part of a control sequence for entering Sleep Mode.
- A hardware reset occurs when the $\overline{\text{RESET}}$ input is asserted (Logic 0).
- A software reset occurs when register R0 is written to.
- Sleep Mode is selected when DCVDD is removed. Note that the AVDD and DBVDD1 supplies must be present throughout the Sleep Mode duration.

Table 5-3. Memory Reset Summary

Reset Type	Always-On Registers ¹	Other Registers	Control-Write Sequencer Memory	DSP Firmware Memory
Power-on reset	Reset	Reset	Reset	Reset
Hardware reset	Reset	Reset	Reset	Reset
Software reset	Reset	Reset	Retained	Retained ²
Sleep Mode	Retained	Reset	Reset	Reset

1. See Section 4.14 for details of Sleep Mode and the always-on registers.

2. To retain the DSP firmware memory contents during software reset, it must be ensured that DCVDD is held above its reset threshold.

5.3 Output-Signal Drive-Strength Control

The CS47L90 supports configurable drive-strength control for the digital output pins. This can be used to assist system-level integration and design considerations.

The drive-strength control bits are described in Table 5-4. Note that, in the case of bidirectional pins (e.g., GPIO_n), the drive-strength control bits are only applicable if the pin is configured as an output.

Table 5-4. Output Drive-Strength and Slew-Rate Control

Register Address	Bit	Label	Default	Description
R8 (0x0008) Ctrl_IF_CFG_1	8	CIF1MISO_DRV_STR	1	CIF1MISO output drive strength 0 = 4 mA 1 = 8 mA
R9 (0x0009) Ctrl_IF_CFG_2	9	CIF2SDA_DRV_STR	1	CIF2SDA output drive strength 0 = 4 mA 1 = 8 mA
R10 (0x000A) Ctrl_IF_CFG_3	8	CIF3MISO_DRV_STR	1	CIF3MISO output drive strength 0 = 4 mA 1 = 8 mA
R1520 (0x05F0) Slimbus_Pad_Ctrl	3	SLIMDAT3_DRV_STR	0	SLIMDAT3 output drive strength 0 = 8 mA 1 = 12 mA
	2	SLIMDAT2_DRV_STR	0	SLIMDAT2 output drive strength 0 = 8 mA 1 = 12 mA
	1	SLIMDAT1_DRV_STR	0	SLIMDAT1 output drive strength 0 = 8 mA 1 = 12 mA
	0	SLIMCLK_DRV_STR	0	SLIMCLK output drive strength 0 = 2 mA 1 = 4 mA
R5889 (0x1701) GPIO1_CTRL2	12	GP1_DRV_STR	1	GPIO1 output drive strength 0 = 4 mA 1 = 8 mA
R5891 (0x1703) GPIO2_CTRL2	12	GP2_DRV_STR	1	GPIO2 output drive strength 0 = 4 mA 1 = 8 mA
R5893 (0x1705) GPIO3_CTRL2	12	GP3_DRV_STR	1	GPIO3 output drive strength 0 = 4 mA 1 = 8 mA
R5895 (0x1707) GPIO4_CTRL2	12	GP4_DRV_STR	1	GPIO4 output drive strength 0 = 4 mA 1 = 8 mA
R5897 (0x1709) GPIO5_CTRL2	12	GP5_DRV_STR	1	GPIO5 output drive strength 0 = 4 mA 1 = 8 mA
R5899 (0x170B) GPIO6_CTRL2	12	GP6_DRV_STR	1	GPIO6 output drive strength 0 = 4 mA 1 = 8 mA
R5901 (0x170D) GPIO7_CTRL2	12	GP7_DRV_STR	1	GPIO7 output drive strength 0 = 4 mA 1 = 8 mA
R5903 (0x170F) GPIO8_CTRL2	12	GP8_DRV_STR	1	GPIO8 output drive strength 0 = 4 mA 1 = 8 mA
R5905 (0x1711) GPIO9_CTRL2	12	GP9_DRV_STR	1	MIF1SCLK/GPIO9 output drive strength 0 = 4 mA 1 = 8 mA
R5907 (0x1713) GPIO10_CTRL2	12	GP10_DRV_STR	1	MIF1SDA/GPIO10 output drive strength 0 = 4 mA 1 = 8 mA
R5909 (0x1715) GPIO11_CTRL2	12	GP11_DRV_STR	1	MIF2SCLK/GPIO11 output drive strength 0 = 4 mA 1 = 8 mA

Table 5-4. Output Drive-Strength and Slew-Rate Control (Cont.)

Register Address	Bit	Label	Default	Description
R5911 (0x1717) GPIO12_CTRL2	12	GP12_DRV_STR	1	MIF2SDA/GPIO12 output drive strength 0 = 4 mA 1 = 8 mA
R5913 (0x1719) GPIO13_CTRL2	12	GP13_DRV_STR	1	MIF3SCLK/GPIO13 output drive strength 0 = 4 mA 1 = 8 mA
R5915 (0x171B) GPIO14_CTRL2	12	GP14_DRV_STR	1	MIF3SDA/GPIO14 output drive strength 0 = 4 mA 1 = 8 mA
R5917 (0x171D) GPIO15_CTRL2	12	GP15_DRV_STR	1	AIF1TXDAT/GPIO15 output drive strength 0 = 4 mA 1 = 8 mA
R5919 (0x171F) GPIO16_CTRL2	12	GP16_DRV_STR	1	AIF1BCLK/GPIO16 output drive strength 0 = 4 mA 1 = 8 mA
R5921 (0x1721) GPIO17_CTRL2	12	GP17_DRV_STR	1	AIF1RXDAT/GPIO17 output drive strength 0 = 4 mA 1 = 8 mA
R5923 (0x1723) GPIO18_CTRL2	12	GP18_DRV_STR	1	AIF1LRCLK/GPIO18 output drive strength 0 = 4 mA 1 = 8 mA
R5925 (0x1725) GPIO19_CTRL2	12	GP19_DRV_STR	1	AIF2TXDAT/GPIO19 output drive strength 0 = 4 mA 1 = 8 mA
R5927 (0x1727) GPIO20_CTRL2	12	GP20_DRV_STR	1	AIF2BCLK/GPIO20 output drive strength 0 = 4 mA 1 = 8 mA
R5929 (0x1729) GPIO21_CTRL2	12	GP21_DRV_STR	1	AIF2RXDAT/GPIO21 output drive strength 0 = 4 mA 1 = 8 mA
R5931 (0x172B) GPIO22_CTRL2	12	GP22_DRV_STR	1	AIF2LRCLK/GPIO22 output drive strength 0 = 4 mA 1 = 8 mA
R5933 (0x172D) GPIO23_CTRL2	12	GP23_DRV_STR	1	AIF3TXDAT/GPIO23 output drive strength 0 = 4 mA 1 = 8 mA
R5935 (0x172F) GPIO24_CTRL2	12	GP24_DRV_STR	1	AIF3BCLK/GPIO24 output drive strength 0 = 4 mA 1 = 8 mA
R5937 (0x1731) GPIO25_CTRL2	12	GP25_DRV_STR	1	AIF3RXDAT/GPIO25 output drive strength 0 = 4 mA 1 = 8 mA
R5939 (0x1733) GPIO26_CTRL2	12	GP26_DRV_STR	1	AIF3LRCLK/GPIO26 output drive strength 0 = 4 mA 1 = 8 mA
R5941 (0x1735) GPIO27_CTRL2	12	GP27_DRV_STR	1	AIF4TXDAT/GPIO27 output drive strength 0 = 4 mA 1 = 8 mA
R5943 (0x1737) GPIO28_CTRL2	12	GP28_DRV_STR	1	AIF4BCLK/GPIO28 output drive strength 0 = 4 mA 1 = 8 mA
R5945 (0x1739) GPIO29_CTRL2	12	GP29_DRV_STR	1	AIF4RXDAT/GPIO29 output drive strength 0 = 4 mA 1 = 8 mA

Table 5-4. Output Drive-Strength and Slew-Rate Control (Cont.)

Register Address	Bit	Label	Default	Description
R5947 (0x173B) GPIO30_CTRL2	12	GP30_DRV_STR	1	AIF4LRCLK/GPIO30 output drive strength 0 = 4 mA 1 = 8 mA
R5949 (0x173D) GPIO31_CTRL2	12	GP31_DRV_STR	1	DMICCLK4/GPIO31 output drive strength 0 = 4 mA 1 = 8 mA
R5951 (0x173F) GPIO32_CTRL2	12	GP32_DRV_STR	1	DMICDAT4/GPIO32 output drive strength 0 = 4 mA 1 = 8 mA
R5953 (0x1741) GPIO33_CTRL2	12	GP33_DRV_STR	1	DMICCLK5/GPIO33 output drive strength 0 = 4 mA 1 = 8 mA
R5955 (0x1743) GPIO34_CTRL2	12	GP34_DRV_STR	1	DMICDAT5/GPIO34 output drive strength 0 = 4 mA 1 = 8 mA
R5957 (0x1745) GPIO35_CTRL2	12	GP35_DRV_STR	1	DMICCLK3/GPIO35 output drive strength 0 = 4 mA 1 = 8 mA
R5959 (0x1747) GPIO36_CTRL2	12	GP36_DRV_STR	1	DMICDAT3/GPIO36 output drive strength 0 = 4 mA 1 = 8 mA
R5961 (0x1749) GPIO37_CTRL2	12	GP37_DRV_STR	1	SPKCLK/GPIO37 output drive strength 0 = 4 mA 1 = 8 mA
R5963 (0x174B) GPIO38_CTRL2	12	GP38_DRV_STR	1	SPKDAT/GPIO38 output drive strength 0 = 4 mA 1 = 8 mA

5.4 Digital Audio Interface Clocking Configurations

The digital audio interfaces (AIF1–AIF4) can be configured in master or slave modes. In all applications, it is important that the system clocking configuration is correctly designed. Incorrect clock configurations lead to audible clicks arising from dropped or repeated audio samples; this is caused by the inherent tolerances of multiple asynchronous system clocks.

To ensure reliable clocking of the audio interface functions, the external interface clocks (e.g., BCLK, LRCLK) must be derived from the same clock source as SYSCLK (or ASYNCCLK, where applicable).

In AIF Master Mode, the external BCLK and LRCLK signals are generated by the CS47L90 and synchronization of these signals with SYSCLK (or ASYNCCLK) is ensured. In this case, clocking of the AIF is typically derived from the MCLK1 or MCLK2 inputs, either directly or via one of the FLL circuits. Alternatively, an AIF_n or SLIMbus interface can be used to provide the reference clock to which the AIF master can be synchronized.

In AIF Slave Mode, the external BCLK and LRCLK signals are generated by another device, as inputs to the CS47L90. In this case, the system clock (SYSCLK or ASYNCCLK) must be generated from a source that is synchronized to the external BCLK and LRCLK inputs.

In a typical Slave Mode application, the BCLK input is selected as the clock reference, using the FLL to perform frequency shifting. The MCLK1 or MCLK2 inputs can also be used, but only if the selected clock is synchronized externally to the BCLK and LRCLK inputs. The SLIMbus interface can also provide the clock reference, via one of the FLLs, provided that the BCLK and LRCLK signals are externally synchronized with the SLIMCLK input.

The valid AIF clocking configurations are listed in [Table 5-5](#) for AIF Master and AIF Slave Modes.

The applicable system clock (SYSCLK or ASYNCCLK) depends on the AIF_n_RATE setting for the relevant digital audio interface; if AIF_n_RATE < 1000, SYSCLK is applicable; if AIF_n_RATE ≥ 1000, ASYNCCLK is applicable.

Table 5-5. AIF Clocking Configurations

AIF Mode	Clocking Configuration
AIF Master Mode	SYSCLK_SRC (ASYNCCLK_SRC) selects MCLK1 or MCLK2 as SYSCLK (ASYNCCLK) source.
	SYSCLK_SRC (ASYNCCLK_SRC) selects FLL _n as SYSCLK (ASYNCCLK) source; FLL _n _REFCLK_SRC selects MCLK1 or MCLK2 as FLL _n source.
	SYSCLK_SRC (ASYNCCLK_SRC) selects FLL _n as SYSCLK (ASYNCCLK) source; FLL _n _REFCLK_SRC selects a different interface (BCLK, LRCLK, SLIMCLK) as FLL _n source.
AIF Slave Mode	SYSCLK_SRC (ASYNCCLK_SRC) selects FLL _n as SYSCLK (ASYNCCLK) source; FLL _n _REFCLK_SRC selects BCLK as FLL _n source.
	SYSCLK_SRC (ASYNCCLK_SRC) selects MCLK1 or MCLK2 as SYSCLK (ASYNCCLK) source, provided MCLK is externally synchronized to the BCLK input.
	SYSCLK_SRC (ASYNCCLK_SRC) selects FLL _n as SYSCLK (ASYNCCLK) source; FLL _n _REFCLK_SRC selects MCLK1 or MCLK2 as FLL _n source, provided MCLK is externally synchronized to the BCLK input.
	SYSCLK_SRC (ASYNCCLK_SRC) selects FLL _n as SYSCLK (ASYNCCLK) source; FLL _n _REFCLK_SRC selects a different interface (e.g., SLIMCLK) as FLL _n source, provided the other interface is externally synchronized to the BCLK input.

In each case, the SYSCLK (ASYNCCLK) frequency must be a valid ratio to the LRCLK frequency; the supported clocking rates are defined by the SYSCLK_FREQ (ASYNC_CLK_FREQ) and SAMPLE_RATE_n (ASYNC_SAMPLE_RATE_n) fields.

The valid AIF clocking configurations are shown in Fig. 5-9 to Fig. 5-15. Note that, where MCLK1 is shown as the clock source, it is equally possible to select MCLK2 as the clock source. Similarly, in cases where FLL1 is shown, it is equally possible to select FLL2 or FLL_AO.

Fig. 5-9 shows AIF Master Mode operation, using MCLK as the clock reference.

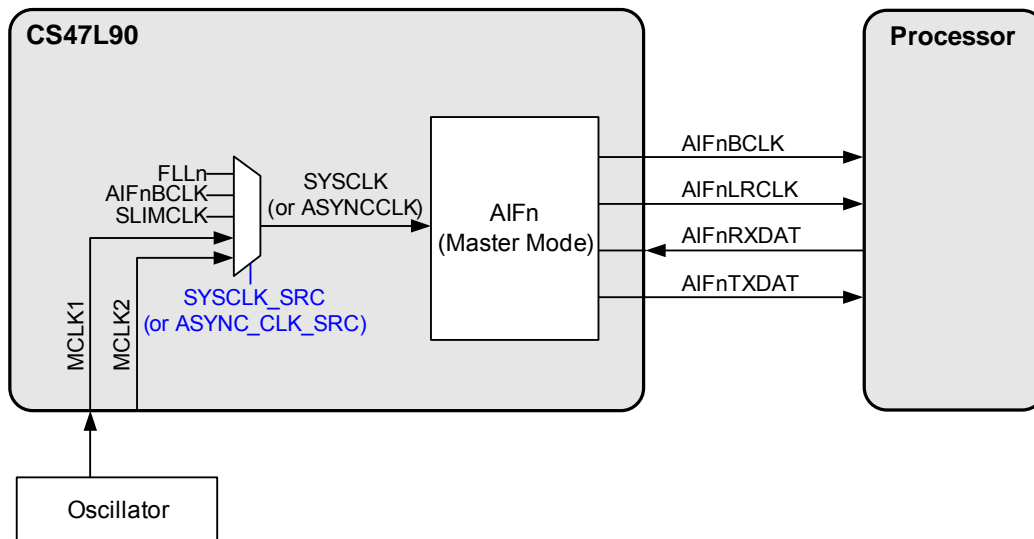

Figure 5-9. AIF Master Mode, Using MCLK as Reference

Fig. 5-10 shows AIF Master Mode operation, using MCLK as the clock reference. In this example, the FLL is used to generate the system clock, with MCLK as the reference.

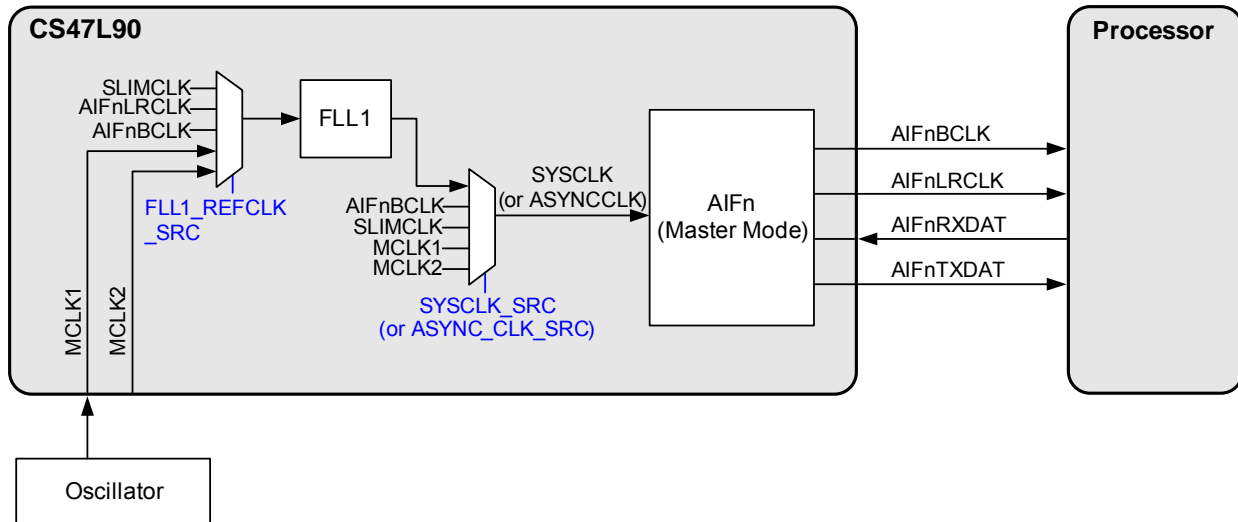


Figure 5-10. AIF Master Mode, Using MCLK and FLL as Reference

Fig. 5-11 shows AIF Master Mode operation, using a separate interface as the clock reference. In this example, the FLL is used to generate the system clock, with SLIMCLK as the reference.

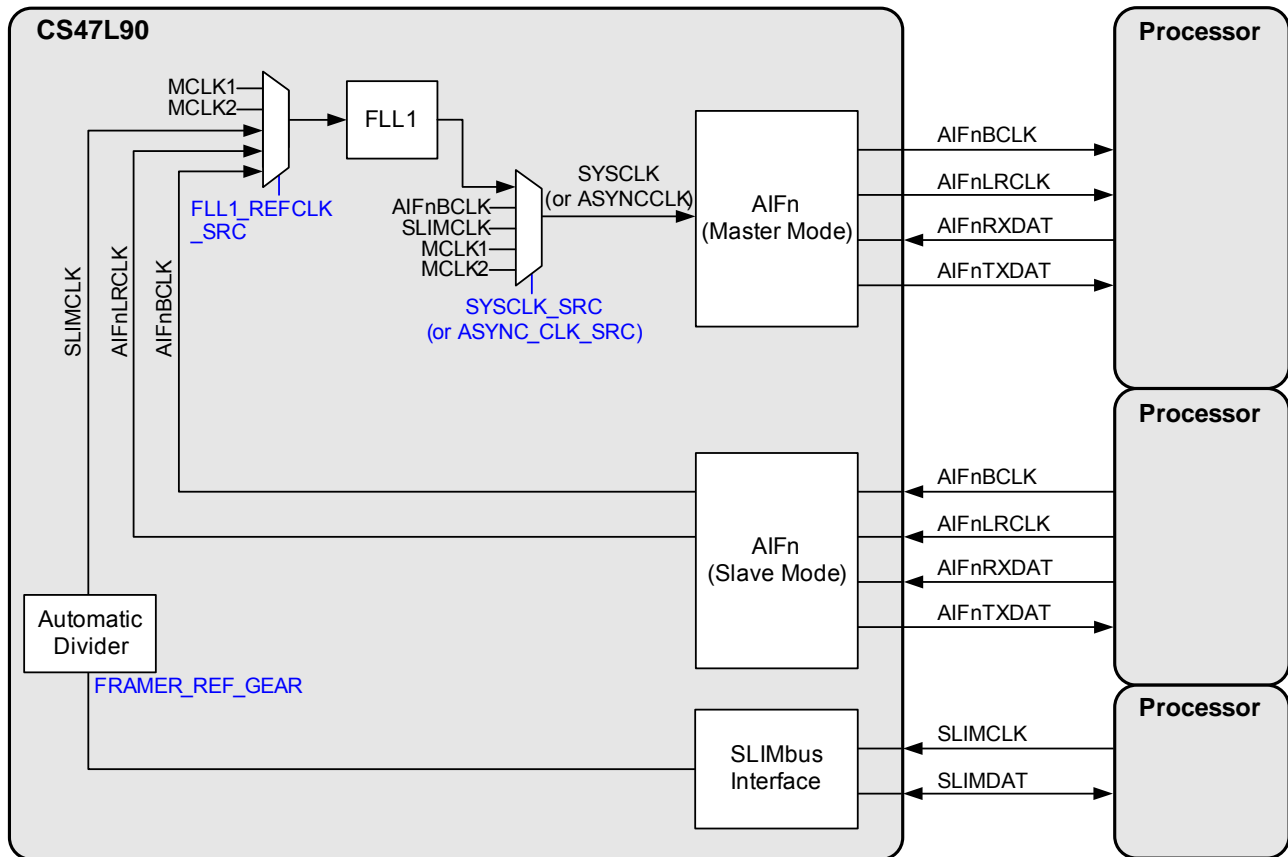


Figure 5-11. AIF Master Mode, Using Another Interface as Reference

Fig. 5-12 shows AIF Slave Mode operation, using BCLK as the clock reference. In this example, the FLL is used to generate the system clock, with BCLK as the reference.

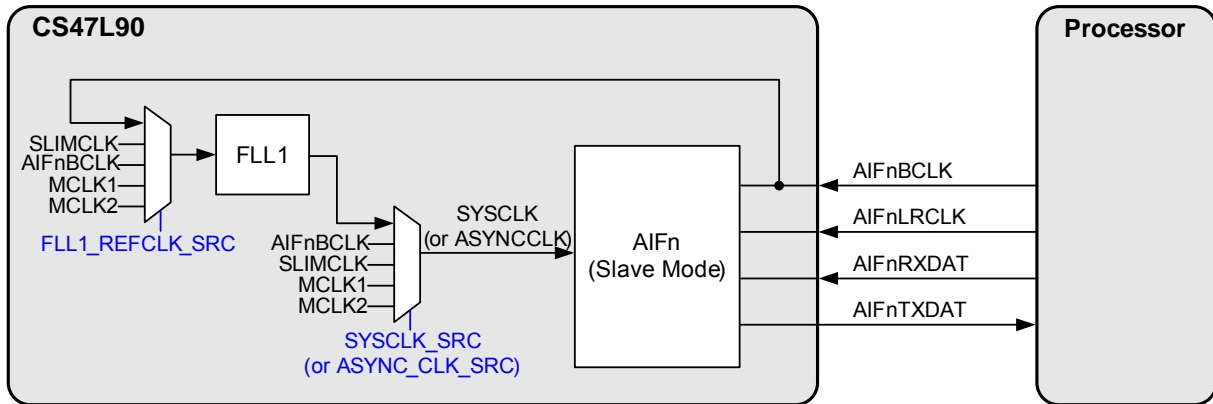


Figure 5-12. AIF Slave Mode, Using BCLK and FLL as Reference

Fig. 5-13 shows AIF Slave Mode operation, using MCLK as the clock reference. For correct operation, the MCLK input must be fully synchronized to the audio interface.

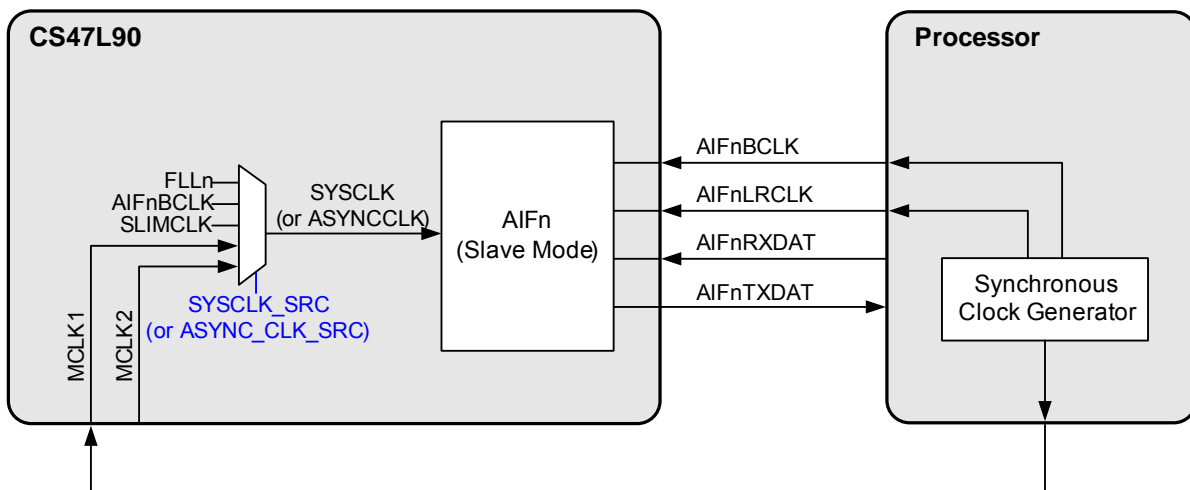


Figure 5-13. AIF Slave Mode, Using MCLK as Reference

Fig. 5-14 shows AIF Slave Mode operation, using MCLK as the clock reference. For correct operation, the MCLK input must be fully synchronized to the audio interface. In this example, the FLL is used to generate the system clock, with MCLK as the reference.

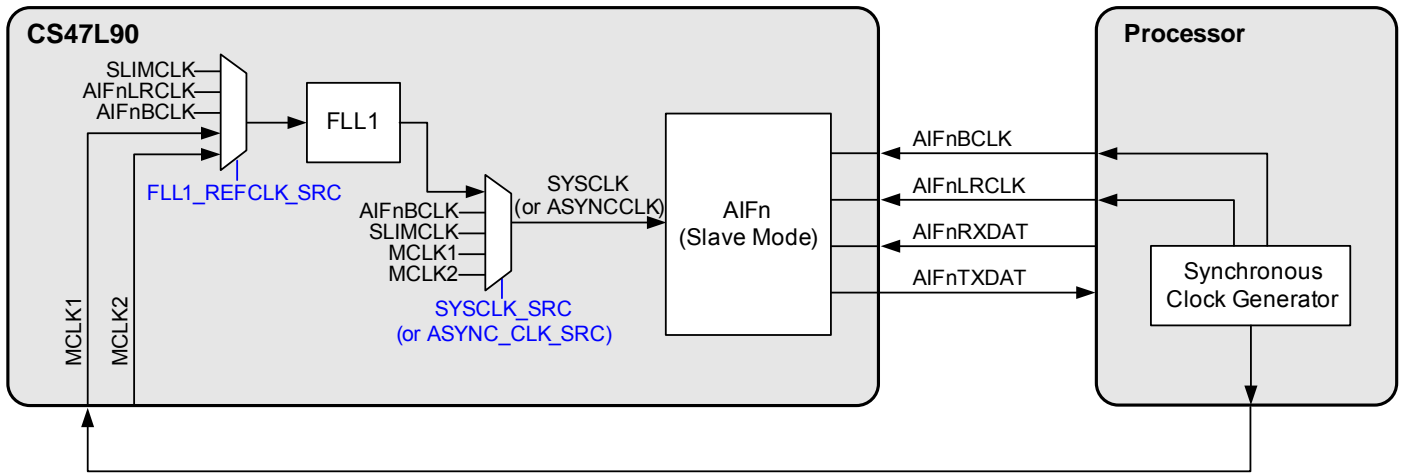


Figure 5-14. AIF Slave Mode, Using MCLK and FLL as Reference

Fig. 5-15 shows AIF Slave Mode operation, using a separate interface as the clock reference. In this example, the FLL is used to generate the system clock, with SLIMCLK as the reference. For correct operation, the SLIMCLK input must be fully synchronized to the other audio interfaces.

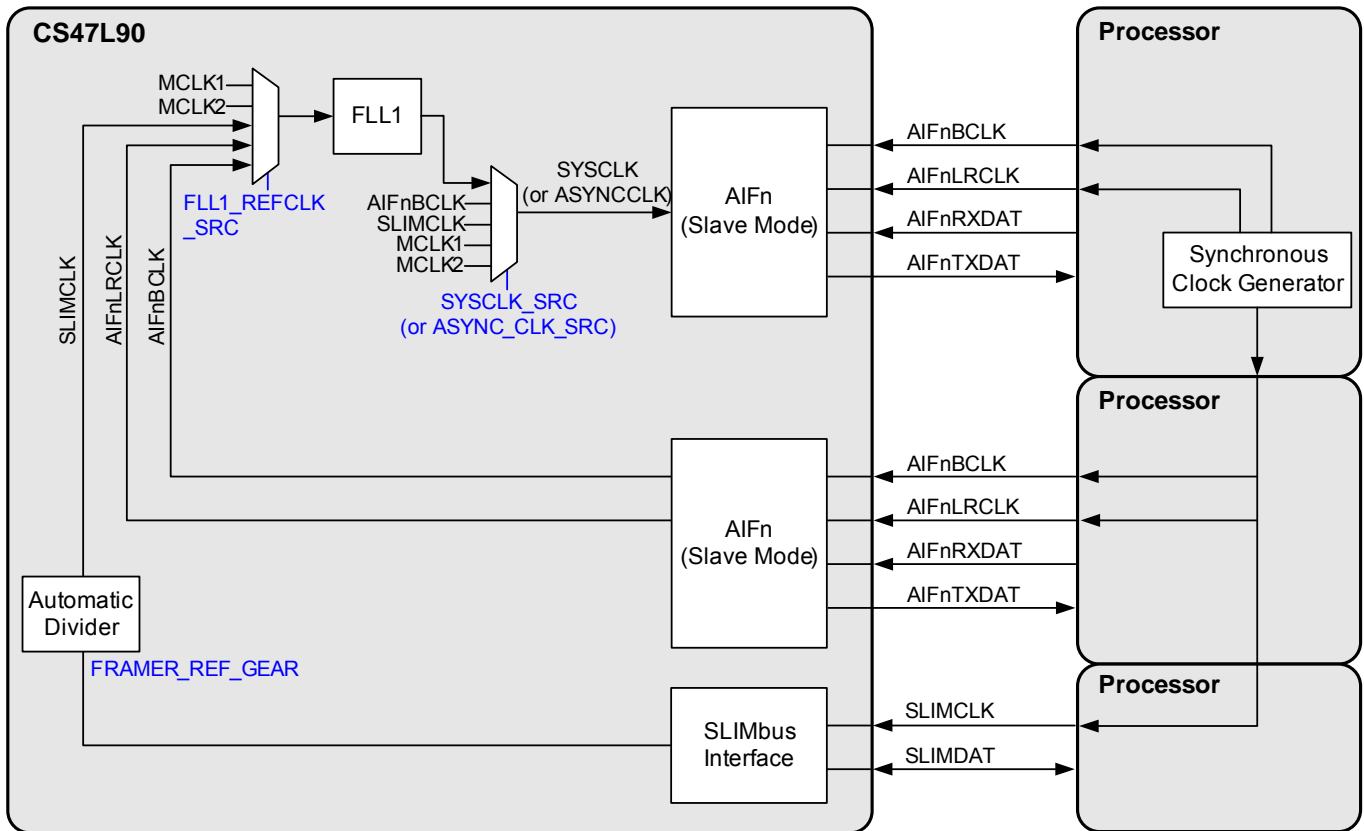


Figure 5-15. AIF Slave Mode, Using Another Interface as Reference

5.5 PCB Layout Considerations

PCB layout should be carefully considered, to ensure optimum performance of the CS47L90. Poor PCB layout degrades the performance and is a contributory factor in EMI, ground bounce, and resistive voltage losses. All external components should be placed close to the CS47L90, with current loop areas kept as small as possible. The following specific considerations should be noted:

- Placement of the charge pump capacitors is a high priority requirement—these capacitors (particularly the fly-back capacitors) must be placed as close as possible to the CS47L90. The component choice and positioning of the CP1 components are more critical than those of CP2, due to the higher output power requirements of CP1.
- Decoupling capacitors should be placed as close as possible to the CS47L90. The connection between AGND, the AVDD decoupling capacitor, and the main system ground should be made at a single point as close as possible to the AGND balls of the CS47L90.
- The VREFC capacitor should be placed as close as possible to the CS47L90. The ground connection to the VREFC capacitor should be as close as possible to the AGND1 ball of the CS47L90.
- If multiple power supply rails are connected to a single supply source, it is recommended to provide separate PCB tracks connecting each rail to the supply. This configuration is also known as *star connection*.
- If power supply rails are routed between different layers of the PCB, it is recommended to use several track vias, in order to minimize resistive voltage losses.
- Differential input signal tracks should be routed as a pair, ensuring similar length/width dimensions on each track. Input signal paths should be kept away from high frequency digital signals.
- Differential output signal tracks should be routed as a pair, ensuring similar length/width dimensions on each track. The tracks should provide a low resistance path from the device output pin to the load (< 1% of the minimum load).
- The headphone output ground-feedback pins should be connected to GND as close as possible to the respective headphone jack ground pin. The ground-feedback PCB track should follow the same route as the respective output signal paths.

6 Register Map

The CS47L90 control registers are listed in the following tables. Note that only the register addresses described here should be accessed; writing to other addresses may result in undefined behavior. Register bits that are not documented should not be changed from the default values.

The CS47L90 register map is defined in two regions:

- The codec register space (below 0x3000) is defined in 16-bit word format
- The DSP register space (from 0x3000 upwards) is defined in 32-bit word format

It is important to ensure that all control interface register operations use the applicable data word format, in accordance with the applicable register addresses.

The 16-bit codec register space is described in [Table 6-1](#).

Table 6-1. Register Map Definition—16-bit region

Register	Name	15	14	13	12	11	10	9	8	7	6	5	4	3	2	1	0	Default
R0 (0h)	Software_Reset	SW_RST_DEV_ID [15:0]																6364h
R1 (1h)	Hardware_Revision	0	0	0	0	0	0	0	0	HW_REVISION [7:0]								0000h
R2 (2h)	Software_Revision	0	0	0	0	0	0	0	0	SW_REVISION [7:0]								0000h
R3 (3h)	OTP_Revision	OTP_REVISION [15:0]																0000h
R8 (8h)	Ctrl_IF_CFG_1	0	0	0	0	0	0	1	CIF1MISO_DRV_STR	CIF1MISO_PD	0	0	0	1	0	0	0	0308h
R9 (9h)	Ctrl_IF_CFG_2	0	0	0	0	0	0	CIF2SDA_DRV_STR	0	0	0	0	0	0	0	0	0	0200h
R10 (Ah)	Ctrl_IF_CFG_3	0	0	0	0	0	0	1	CIF3MISO_DRV_STR	0	0	0	0	1	0	0	0	0308h

Table 6-1. Register Map Definition—16-bit region (Cont.)

Register	Name	15	14	13	12	11	10	9	8	7	6	5	4	3	2	1	0	Default	
R22 (16h)	Write_Sequencer_Ctrl_0	0	0	0	0	WSEQ_ABORT	WSEQ_START	WSEQ_ENA	WSEQ_START_INDEX [8:0]								0000h		
R23 (17h)	Write_Sequencer_Ctrl_1	0	0	0	0	0	0	WSEQ_BUSY	WSEQ_CURRENT_INDEX [8:0]								0000h		
R24 (18h)	Write_Sequencer_Ctrl_2	0	0	0	0	0	0	0	0	0	0	0	0	0	0	0	WSEQ_BOOT_START	WSEQ_LOAD_MEM	0000h
R32 (20h)	Tone_Generator_1	0	TONE_RATE [3:0]				0	TONE_OFFSET [1:0]		0	0	TONE2_OVD	TONE1_OVD	0	0	TONE2_ENA	TONE1_ENA	0000h	
R33 (21h)	Tone_Generator_2	TONE1_LVL [23:8]																1000h	
R34 (22h)	Tone_Generator_3	0	0	0	0	0	0	0	0	TONE1_LVL [7:0]								0000h	
R35 (23h)	Tone_Generator_4	TONE2_LVL [23:8]																1000h	
R36 (24h)	Tone_Generator_5	0	0	0	0	0	0	0	0	TONE2_LVL [7:0]								0000h	
R48 (30h)	PWM_Drive_1	0	PWM_RATE [3:0]				PWM_CLK_SEL [2:0]		0	0	PWM2_OVD	PWM1_OVD	0	0	PWM2_ENA	PWM1_ENA	0000h		
R49 (31h)	PWM_Drive_2	0	0	0	0	0	0	PWM1_LVL [9:0]								0100h			
R50 (32h)	PWM_Drive_3	0	0	0	0	0	0	PWM2_LVL [9:0]								0100h			
R65 (41h)	Sequence_Control	0	0	0	0	0	0	0	0	WSEQ_ENA_MICD_CLAMP_FALL	WSEQ_ENA_MICD_CLAMP_RISE	0	0	0	0	0	0	0000h	
R66 (42h)	Spare_Triggers	WSEQ_TRG16	WSEQ_TRG15	WSEQ_TRG14	WSEQ_TRG13	WSEQ_TRG12	WSEQ_TRG11	WSEQ_TRG10	WSEQ_TRG9	WSEQ_TRG8	WSEQ_TRG7	WSEQ_TRG6	WSEQ_TRG5	WSEQ_TRG4	WSEQ_TRG3	WSEQ_TRG2	WSEQ_TRG1	0000h	
R75 (4Bh)	Spare_Sequence_Select_1	0	0	0	0	0	0	0	WSEQ_TRG1_INDEX [8:0]								01FFh		
R76 (4Ch)	Spare_Sequence_Select_2	0	0	0	0	0	0	0	WSEQ_TRG2_INDEX [8:0]								01FFh		
R77 (4Dh)	Spare_Sequence_Select_3	0	0	0	0	0	0	0	WSEQ_TRG3_INDEX [8:0]								01FFh		
R78 (4Eh)	Spare_Sequence_Select_4	0	0	0	0	0	0	0	WSEQ_TRG4_INDEX [8:0]								01FFh		
R79 (4Fh)	Spare_Sequence_Select_5	0	0	0	0	0	0	0	WSEQ_TRG5_INDEX [8:0]								01FFh		
R80 (50h)	Spare_Sequence_Select_6	0	0	0	0	0	0	0	WSEQ_TRG6_INDEX [8:0]								01FFh		
R89 (59h)	Spare_Sequence_Select_7	0	0	0	0	0	0	0	WSEQ_TRG7_INDEX [8:0]								01FFh		
R90 (5Ah)	Spare_Sequence_Select_8	0	0	0	0	0	0	0	WSEQ_TRG8_INDEX [8:0]								01FFh		
R91 (5Bh)	Spare_Sequence_Select_9	0	0	0	0	0	0	0	WSEQ_TRG9_INDEX [8:0]								01FFh		
R92 (5Ch)	Spare_Sequence_Select_10	0	0	0	0	0	0	0	WSEQ_TRG10_INDEX [8:0]								01FFh		
R93 (5Dh)	Spare_Sequence_Select_11	0	0	0	0	0	0	0	WSEQ_TRG11_INDEX [8:0]								01FFh		
R94 (5Eh)	Spare_Sequence_Select_12	0	0	0	0	0	0	0	WSEQ_TRG12_INDEX [8:0]								01FFh		
R97 (61h)	Sample_Rate_Sequence_Select_1	0	0	0	0	0	0	0	WSEQ_SAMPLE_RATE_DETECT_A_INDEX [8:0]								01FFh		
R98 (62h)	Sample_Rate_Sequence_Select_2	0	0	0	0	0	0	0	WSEQ_SAMPLE_RATE_DETECT_B_INDEX [8:0]								01FFh		
R99 (63h)	Sample_Rate_Sequence_Select_3	0	0	0	0	0	0	0	WSEQ_SAMPLE_RATE_DETECT_C_INDEX [8:0]								01FFh		
R100 (64h)	Sample_Rate_Sequence_Select_4	0	0	0	0	0	0	0	WSEQ_SAMPLE_RATE_DETECT_D_INDEX [8:0]								01FFh		
R102 (66h)	Always_On Triggers_Sequence_Select_1	0	0	0	0	0	0	0	WSEQ_MICD_CLAMP_RISE_INDEX [8:0]								01FFh		
R103 (67h)	Always_On Triggers_Sequence_Select_2	0	0	0	0	0	0	0	WSEQ_MICD_CLAMP_FALL_INDEX [8:0]								01FFh		
R104 (68h)	Spare_Sequence_Select_13	0	0	0	0	0	0	0	WSEQ_TRG13_INDEX [8:0]								01FFh		
R105 (69h)	Spare_Sequence_Select_14	0	0	0	0	0	0	0	WSEQ_TRG14_INDEX [8:0]								01FFh		
R106 (6Ah)	Spare_Sequence_Select_15	0	0	0	0	0	0	0	WSEQ_TRG15_INDEX [8:0]								01FFh		
R107 (6Bh)	Spare_Sequence_Select_16	0	0	0	0	0	0	0	WSEQ_TRG16_INDEX [8:0]								01FFh		
R110 (6Eh)	Trigger_Sequence_Select_32	0	0	0	0	0	0	0	WSEQ_DRC1_SIG_DET_RISE_INDEX [8:0]								01FFh		
R111 (6Fh)	Trigger_Sequence_Select_33	0	0	0	0	0	0	0	WSEQ_DRC1_SIG_DET_FALL_INDEX [8:0]								01FFh		

Table 6-1. Register Map Definition—16-bit region (Cont.)

Register	Name	15	14	13	12	11	10	9	8	7	6	5	4	3	2	1	0	Default
R120 (78h)	Eventlog_Sequence_Select_1	0	0	0	0	0	0	0	WSEQ_EVENTLOG1_INDEX [8:0]								01FFh	
R121 (79h)	Eventlog_Sequence_Select_2	0	0	0	0	0	0	0	WSEQ_EVENTLOG2_INDEX [8:0]								01FFh	
R122 (7Ah)	Eventlog_Sequence_Select_3	0	0	0	0	0	0	0	WSEQ_EVENTLOG3_INDEX [8:0]								01FFh	
R123 (7Bh)	Eventlog_Sequence_Select_4	0	0	0	0	0	0	0	WSEQ_EVENTLOG4_INDEX [8:0]								01FFh	
R124 (7Ch)	Eventlog_Sequence_Select_5	0	0	0	0	0	0	0	WSEQ_EVENTLOG5_INDEX [8:0]								01FFh	
R125 (7Dh)	Eventlog_Sequence_Select_6	0	0	0	0	0	0	0	WSEQ_EVENTLOG6_INDEX [8:0]								01FFh	
R126 (7Eh)	Eventlog_Sequence_Select_7	0	0	0	0	0	0	0	WSEQ_EVENTLOG7_INDEX [8:0]								01FFh	
R127 (7Fh)	Eventlog_Sequence_Select_8	0	0	0	0	0	0	0	WSEQ_EVENTLOG8_INDEX [8:0]								01FFh	
R140 (8Ch)	User_Key_Ctrl	USER_KEY_CTRL [15:0]																0000h
R144 (90h)	Haptics_Control_1	0	HAP_RATE [3:0]			0	0	0	0	0	0	0	ONESHOT_TRIG	HAP_CTRL [1:0]		HAP_ACT	0	0000h
R145 (91h)	Haptics_Control_2	0	LRA_FREQ [14:0]															7FFFh
R146 (92h)	Haptics_phase_1_intensity	0	0	0	0	0	0	0	0	PHASE1_INTENSITY [7:0]								0000h
R147 (93h)	Haptics_phase_1_duration	0	0	0	0	0	0	0	PHASE1_DURATION [8:0]								0000h	
R148 (94h)	Haptics_phase_2_intensity	0	0	0	0	0	0	0	PHASE2_INTENSITY [7:0]								0000h	
R149 (95h)	Haptics_phase_2_duration	0	0	0	0	0	PHASE2_DURATION [10:0]								0000h			
R150 (96h)	Haptics_phase_3_intensity	0	0	0	0	0	0	0	PHASE3_INTENSITY [7:0]								0000h	
R151 (97h)	Haptics_phase_3_duration	0	0	0	0	0	0	0	PHASE3_DURATION [8:0]								0000h	
R152 (98h)	Haptics_Status	0	0	0	0	0	0	0	0	0	0	0	0	0	0	0	ONESHOT_STS	0000h
R160 (A0h)	Comfort_Noise_Generator	0	NOISE_GEN_RATE [3:0]			0	0	0	0	0	0	NOISE_GEN_ENA	NOISE_GEN_GAIN [4:0]					0000h
R256 (100h)	Clock_32k_1	0	0	0	0	0	0	0	0	0	CLK_32K_ENA	0	0	0	0	CLK_32K_SRC [1:0]		0002h
R257 (101h)	System_Clock_1	SYCLK_FRAC	0	0	0	0	SYCLK_FREQ [2:0]			0	SYCLK_ENA	0	0	SYCLK_SRC [3:0]				0404h
R258 (102h)	Sample_rate_1	0	0	0	0	0	0	0	0	0	0	SAMPLE_RATE_1 [4:0]					0011h	
R259 (103h)	Sample_rate_2	0	0	0	0	0	0	0	0	0	0	SAMPLE_RATE_2 [4:0]					0011h	
R260 (104h)	Sample_rate_3	0	0	0	0	0	0	0	0	0	0	SAMPLE_RATE_3 [4:0]					0011h	
R266 (10Ah)	Sample_rate_1_status	0	0	0	0	0	0	0	0	0	0	SAMPLE_RATE_1_STS [4:0]					0000h	
R267 (10Bh)	Sample_rate_2_status	0	0	0	0	0	0	0	0	0	0	SAMPLE_RATE_2_STS [4:0]					0000h	
R268 (10Ch)	Sample_rate_3_status	0	0	0	0	0	0	0	0	0	0	SAMPLE_RATE_3_STS [4:0]					0000h	
R274 (112h)	Async_clock_1	0	0	0	0	0	ASYNC_CLK_FREQ [2:0]			0	ASYNC_CLK_ENA	0	0	ASYNC_CLK_SRC [3:0]				0305h
R275 (113h)	Async_sample_rate_1	0	0	0	0	0	0	0	0	0	0	ASYNC_SAMPLE_RATE_1 [4:0]					0011h	
R276 (114h)	Async_sample_rate_2	0	0	0	0	0	0	0	0	0	0	ASYNC_SAMPLE_RATE_2 [4:0]					0011h	
R283 (11Bh)	Async_sample_rate_1_status	0	0	0	0	0	0	0	0	0	0	ASYNC_SAMPLE_RATE_1_STS [4:0]					0000h	
R284 (11Ch)	Async_sample_rate_2_status	0	0	0	0	0	0	0	0	0	0	ASYNC_SAMPLE_RATE_2_STS [4:0]					0000h	
R288 (120h)	DSP_Clock_1	0	0	0	0	0	0	1	1	0	DSP_CLK_ENA	0	0	DSP_CLK_SRC [3:0]				0305h
R290 (122h)	DSP_Clock_2	DSP_CLK_FREQ [15:0]																0000h
R292 (124h)	DSP_Clock_3	DSP_FLL_AO_FREQ [15:0]																0000h
R294 (126h)	DSP_Clock_4	DSP_CLK_FREQ_STS [15:0]																0000h
R295 (127h)	DSP_Clock_5	0	0	0	0	0	0	0	0	0	0	0	0	DSP_CLK_SRC_STS [3:0]				0000h
R329 (149h)	Output_system_clock	OPCLK_ENA	0	0	0	0	0	0	0	0	OPCLK_DIV [4:0]					OPCLK_SEL [2:0]		0000h

Table 6-1. Register Map Definition—16-bit region (Cont.)

Register	Name	15	14	13	12	11	10	9	8	7	6	5	4	3	2	1	0	Default	
R330 (14Ah)	Output_async_clock	OPCLK_ASYNC_ENA	0	0	0	0	0	0	0	OPCLK_ASYNC_DIV [4:0]				OPCLK_ASYNC_SEL [2:0]				0000h	
R334 (14Eh)	Clock_Gen_Pad_Ctrl	0	0	0	0	0	0	0	MCLK2_PD	MCLK1_PD	0	0	0	0	0	0	0	0000h	
R338 (152h)	Rate_Estimator_1	0	0	0	0	0	0	0	0	0	0	0	TRIG_ON_STARTUP	LRCLK_SRC [2:0]			RATE_EST_ENA	0000h	
R339 (153h)	Rate_Estimator_2	0	0	0	0	0	0	0	0	0	0	SAMPLE_RATE_DETECT_A [4:0]						0000h	
R340 (154h)	Rate_Estimator_3	0	0	0	0	0	0	0	0	0	0	SAMPLE_RATE_DETECT_B [4:0]						0000h	
R341 (155h)	Rate_Estimator_4	0	0	0	0	0	0	0	0	0	0	SAMPLE_RATE_DETECT_C [4:0]						0000h	
R342 (156h)	Rate_Estimator_5	0	0	0	0	0	0	0	0	0	0	SAMPLE_RATE_DETECT_D [4:0]						0000h	
R352 (160h)	Clocking_debug_5	ASYNC_CLK_FREQ_STS [2:0]				ASYNC_CLK_SRC_STS [3:0]				0	0	SYSCLK_FREQ_STS [2:0]			SYSCLK_SRC_STS [3:0]				0000h
R369 (171h)	FLL1_Control_1	0	0	0	0	0	0	0	0	0	0	0	0	0	0	FLL1_FREERUN	FLL1_ENA	0002h	
R370 (172h)	FLL1_Control_2	FLL1_CTRL_UPD	0	0	0	0	FLL1_N [9:0]											0008h	
R371 (173h)	FLL1_Control_3	FLL1_THETA [15:0]																0018h	
R372 (174h)	FLL1_Control_4	FLL1_LAMBDA [15:0]																007Dh	
R373 (175h)	FLL1_Control_5	0	0	0	0	FLL1_FRATIO [3:0]				0	0	0	0	0	0	0	0	0	0000h
R374 (176h)	FLL1_Control_6	0	0	0	0	0	0	0	0	FLL1_REFCLK_DIV [1:0]	0	0	FLL1_REFCLK_SRC [3:0]					0000h	
R375 (177h)	FLL1_Loop_Filter_Test_1	FLL1_FRC_INTEG_UPD	0	0	0	FLL1_FRC_INTEG_VAL [11:0]											0281h		
R376 (178h)	FLL1_NCO_Test_0	FLL1_INTEG_VALID	0	0	0	FLL1_INTEG [11:0]											0000h		
R377 (179h)	FLL1_Control_7	0	0	0	0	0	0	0	0	0	0	FLL1_GAIN [3:0]			0	0	0000h		
R378 (17Ah)	FLL1_EFS_2	0	0	1	0	FLL1_PHASE_ENA	0	0	1	0	0	0	0	0	1	1	0	2906h	
R385 (181h)	FLL1_Synchroniser_1	0	0	0	0	0	0	0	0	0	0	0	0	0	0	0	FLL1_SYNC_ENA	0000h	
R386 (182h)	FLL1_Synchroniser_2	0	0	0	0	0	FLL1_SYNC_N [9:0]											0000h	
R387 (183h)	FLL1_Synchroniser_3	FLL1_SYNC_THETA [15:0]																0000h	
R388 (184h)	FLL1_Synchroniser_4	FLL1_SYNC_LAMBDA [15:0]																0000h	
R389 (185h)	FLL1_Synchroniser_5	0	0	0	0	0	FLL1_SYNC_FRATIO [2:0]			0	0	0	0	0	0	0	0	0000h	
R390 (186h)	FLL1_Synchroniser_6	0	0	0	0	0	0	0	0	FLL1_SYNCCLK_DIV [1:0]	0	0	FLL1_SYNCCLK_SRC [3:0]					0000h	
R391 (187h)	FLL1_Synchroniser_7	0	0	0	0	0	0	0	0	0	FLL1_SYNC_GAIN [3:0]				0	FLL1_SYNC_DFSAT	0001h		
R393 (189h)	FLL1_Spread_Spectrum	0	0	0	0	0	0	0	0	0	FLL1_SS_AMPL [1:0]	FLL1_SS_FREQ [1:0]	FLL1_SS_SEL [1:0]			0000h			
R394 (18Ah)	FLL1_GPIO_Clock	0	0	0	0	0	0	0	0	FLL1_GPCLK_DIV [6:0]						FLL1_GPCLK_ENA	0004h		
R401 (191h)	FLL2_Control_1	0	0	0	0	0	0	0	0	0	0	0	0	0	FLL2_FREERUN	FLL2_ENA	0002h		
R402 (192h)	FLL2_Control_2	FLL2_CTRL_UPD	0	0	0	0	FLL2_N [9:0]											0008h	
R403 (193h)	FLL2_Control_3	FLL2_THETA [15:0]																0018h	
R404 (194h)	FLL2_Control_4	FLL2_LAMBDA [15:0]																007Dh	
R405 (195h)	FLL2_Control_5	0	0	0	0	FLL2_FRATIO [3:0]				0	0	0	0	0	0	0	0	0000h	
R406 (196h)	FLL2_Control_6	0	0	0	0	0	0	0	0	FLL2_REFCLK_DIV [1:0]	0	0	FLL2_REFCLK_SRC [3:0]					0000h	
R407 (197h)	FLL2_Loop_Filter_Test_1	FLL2_FRC_INTEG_UPD	0	0	0	FLL2_FRC_INTEG_VAL [11:0]											0281h		
R408 (198h)	FLL2_NCO_Test_0	FLL2_INTEG_VALID	0	0	0	FLL2_INTEG [11:0]											0000h		

Table 6-1. Register Map Definition—16-bit region (Cont.)

Register	Name	15	14	13	12	11	10	9	8	7	6	5	4	3	2	1	0	Default
R409 (199h)	FLL2_Control_7	0	0	0	0	0	0	0	0	0	0	FLL2_GAIN [3:0]			0	0	0000h	
R410 (19Ah)	FLL2_EFS_2	0	0	1	0	FLL2_PHASE_ENA	0	0	1	0	0	0	0	0	1	1	0	2906h
R417 (1A1h)	FLL2_Synchroniser_1	0	0	0	0	0	0	0	0	0	0	0	0	0	0	0	FLL2_SYNC_ENA	0000h
R418 (1A2h)	FLL2_Synchroniser_2	0	0	0	0	0	0	FLL2_SYNC_N [9:0]									0000h	
R419 (1A3h)	FLL2_Synchroniser_3	FLL2_SYNC_THETA [15:0]															0000h	
R420 (1A4h)	FLL2_Synchroniser_4	FLL2_SYNC_LAMBDA [15:0]															0000h	
R421 (1A5h)	FLL2_Synchroniser_5	0	0	0	0	0	FLL2_SYNC_FRATIO [2:0]		0	0	0	0	0	0	0	0	0	0000h
R422 (1A6h)	FLL2_Synchroniser_6	0	0	0	0	0	0	0	0	FLL2_SYNCCLK_DIV [1:0]	0	0	FLL2_SYNCCLK_SRC [3:0]			0000h		
R423 (1A7h)	FLL2_Synchroniser_7	0	0	0	0	0	0	0	0	0	0	FLL2_SYNC_GAIN [3:0]			0	FLL2_SYNC_DFSAT	0001h	
R425 (1A9h)	FLL2_Spread_Spectrum	0	0	0	0	0	0	0	0	0	FLL2_SS_AMPL [1:0]	FLL2_SS_FREQ [1:0]	FLL2_SS_SEL [1:0]		0000h			
R426 (1AAh)	FLL2_GPIO_Clock	0	0	0	0	0	0	0	FLL2_GPCLK_DIV [6:0]						FLL2_GPCLK_ENA	0004h		
R465 (1D1h)	FLL_AO_Control_1	0	0	0	0	0	0	0	0	0	0	0	0	FLL_AO_HOLD	0	FLL_AO_ENA	0004h	
R470 (1D6h)	FLL_AO_Control_6	1	0	00	0	0	0	0	0	0	0	FLL_AO_REFCLK_SRC [3:0]			8004h			
R490 (1EAh)	FLL_AO_GPIO_Clock	0	0	0	0	0	0	0	FLL_AO_GPCLK_DIV [6:0]						FLL_AO_GPCLK_ENA	0002h		
R512 (200h)	Mic_Charge_Pump_1	0	0	0	0	0	0	0	0	0	0	0	0	0	CP2_DISCH	CP2_BYPASS	CP2_ENA	0006h
R531 (213h)	LDO2_Control_1	0	0	0	0	0	LDO2_VSEL [5:0]					0	0	LDO2_DISCH	0	0	03E4h	
R536 (218h)	Mic_Bias_Ctrl_1	MICB1_EXT_CAP	0	0	0	0	0	MICB1_LVL [3:0]			0	MICB1_RATE	MICB1_DISCH	MICB1_BYPASS	MICB1_ENA	00E6h		
R537 (219h)	Mic_Bias_Ctrl_2	MICB2_EXT_CAP	0	0	0	0	MICB2_LVL [3:0]			0	MICB2_RATE	MICB2_DISCH	MICB2_BYPASS	MICB2_ENA	00E6h			
R540 (21Ch)	Mic_Bias_Ctrl_5	0	MICB1D_BYN	MICB1D_DISCH	MICB1D_ENA	0	MICB1C_BYN	MICB1C_DISCH	MICB1C_ENA	0	MICB1B_BYN	MICB1B_DISCH	MICB1B_ENA	0	MICB1A_BYN	MICB1A_DISCH	MICB1A_ENA	2222h
R542 (21Eh)	Mic_Bias_Ctrl_6	0	MICB2D_BYN	MICB2D_DISCH	MICB2D_ENA	0	MICB2C_BYN	MICB2C_DISCH	MICB2C_ENA	0	MICB2B_BYN	MICB2B_DISCH	MICB2B_ENA	0	MICB2A_BYN	MICB2A_DISCH	MICB2A_ENA	2222h
R665 (299h)	Headphone_Detect_0	HPD_OVD_ENA	HPD_OUT_SEL [2:0]			0	HPD_FRC_SEL [2:0]		0	HPD_SENSE_SEL [2:0]			0	HPD_GND_SEL [2:0]			0000h	
R667 (29Bh)	Headphone_Detect_1	0	0	0	0	0	HPD_IMPEDANCE_RANGE [1:0]	0	0	0	0	HPD_CLK_DIV [1:0]	HPD_RATE [1:0]	HPD_POLL (M)	0000h			
R668 (29Ch)	Headphone_Detect_2	HPD_DONE	HPD_LVL [14:0]														0000h	
R669 (29Dh)	Headphone_Detect_3	0	0	0	0	0	HPD_DACVAL [9:0]									0000h		
R674 (2A2h)	Mic_Detect_1_Control_0	MICD1_ADC_MODE	0	0	0	0	0	0	0	0	MICD1_SENSE_SEL [2:0]		0	MICD1_GND_SEL [2:0]			0010h	
R675 (2A3h)	Mic_Detect_1_Control_1	MICD1_BIAS_STARTTIME [3:0]				MICD1_RATE [3:0]			MICD1_BIAS_SRC [3:0]			0	0	MICD1_DBTIME	MICD1_ENA	1102h		
R676 (2A4h)	Mic_Detect_1_Control_2	0	0	0	0	0	0	0	0	MICD1_LVL_SEL [7:0]							009Fh	
R677 (2A5h)	Mic_Detect_1_Control_3	0	0	0	0	0	MICD1_LVL [8:0]								MICD1_VALID	MICD1_STS	0000h	
R683 (2ABh)	Mic_Detect_1_Control_4	MICD1_ADCVAL_DIFF [7:0]						0	MICD1_ADCVAL [6:0]						0000h			
R690 (2B2h)	Mic_Detect_2_Control_0	MICD2_ADC_MODE	0	0	0	0	0	0	0	0	MICD2_SENSE_SEL [2:0]		0	MICD2_GND_SEL [2:0]			0010h	
R691 (2B3h)	Mic_Detect_2_Control_1	MICD2_BIAS_STARTTIME [3:0]				MICD2_RATE [3:0]			MICD2_BIAS_SRC [3:0]			0	0	MICD2_DBTIME	MICD2_ENA	1102h		
R692 (2B4h)	Mic_Detect_2_Control_2	0	0	0	0	0	0	0	0	MICD2_LVL_SEL [7:0]							009Fh	
R693 (2B5h)	Mic_Detect_2_Control_3	0	0	0	0	0	MICD2_LVL [8:0]								MICD2_VALID	MICD2_STS	0000h	
R699 (2Bbh)	Mic_Detect_2_Control_4	MICD2_ADCVAL_DIFF [7:0]						0	MICD2_ADCVAL [6:0]						0000h			
R710 (2C6h)	Micd_Clamp_control	0	0	0	0	0	0	0	0	0	0	MICD_CLAMP_OVD	MICD_CLAMP_MODE [3:0]			0010h		
R712 (2C8h)	GP_Switch_1	0	0	0	0	0	0	0	0	0	0	0	SW2_MODE [1:0]	SW1_MODE [1:0]	0000h			

Table 6-1. Register Map Definition—16-bit region (Cont.)

Register	Name	15	14	13	12	11	10	9	8	7	6	5	4	3	2	1	0	Default	
R723 (2D3h)	Jack_detect_analogue	0	0	0	0	0	0	0	0	0	0	0	0	0	0	JD2_ENA	JD1_ENA	0000h	
R768 (300h)	Input_Enables	0	0	0	0	0	0	IN5L_ENA	IN5R_ENA	IN4L_ENA	IN4R_ENA	IN3L_ENA	IN3R_ENA	IN2L_ENA	IN2R_ENA	IN1L_ENA	IN1R_ENA	0000h	
R769 (301h)	Input_Enables_Status	0	0	0	0	0	0	IN5L_ENA_STS	IN5R_ENA_STS	IN4L_ENA_STS	IN4R_ENA_STS	IN3L_ENA_STS	IN3R_ENA_STS	IN2L_ENA_STS	IN2R_ENA_STS	IN1L_ENA_STS	IN1R_ENA_STS	0000h	
R776 (308h)	Input_Rate	0	IN_RATE [3:0]			IN_RATE_MODE	0	0	0	0	0	0	0	0	0	0	0	0	0400h
R777 (309h)	Input_Volume_Ramp	0	0	0	0	0	0	0	0	0	IN_VD_RAMP [2:0]			0	IN_VI_RAMP [2:0]			0022h	
R780 (30Ch)	HPF_Control	0	0	0	0	0	0	0	0	0	0	0	0	IN_HPF_CUT [2:0]				0002h	
R784 (310h)	IN1L_Control	IN1L_HPF	0	0	IN1_DMIC_SUP [1:0]		IN1_MODE	0	0	IN1L_PGA_VOL [6:0]							0	0080h	
R785 (311h)	ADC_Digital_Volume_1L	0	IN1L_SRC [1:0]		0	IN1L_LP_MODE	0	IN_VU	IN1L_MUTE	IN1L_VOL [7:0]							0	0180h	
R786 (312h)	DMIC1L_Control	IN1L_SIG_DET_ENA	0	0	0	0	IN1_OSR [2:0]			0	0	0	0	0	0	0	0	0	0500h
R787 (313h)	IN1L_Rate_Control	0	IN1L_RATE [3:0]			0	0	0	0	0	0	0	0	0	0	0	0	0	0000h
R788 (314h)	IN1R_Control	IN1R_HPF	0	0	IN1_DMICCLK_SRC [1:0]		0	0	0	IN1R_PGA_VOL [6:0]							0	0080h	
R789 (315h)	ADC_Digital_Volume_1R	0	IN1R_SRC [1:0]		0	IN1R_LP_MODE	0	IN_VU	IN1R_MUTE	IN1R_VOL [7:0]							0	0180h	
R790 (316h)	DMIC1R_Control	IN1R_SIG_DET_ENA	0	0	0	0	0	0	0	0	0	0	0	0	0	0	0	0	0000h
R791 (317h)	IN1R_Rate_Control	0	IN1R_RATE [3:0]			0	0	0	0	0	0	0	0	0	0	0	0	0	0000h
R792 (318h)	IN2L_Control	IN2L_HPF	0	0	IN2_DMIC_SUP [1:0]		IN2_MODE	0	0	IN2L_PGA_VOL [6:0]							0	0080h	
R793 (319h)	ADC_Digital_Volume_2L	0	IN2L_SRC [1:0]		0	IN2L_LP_MODE	0	IN_VU	IN2L_MUTE	IN2L_VOL [7:0]							0	0180h	
R794 (31Ah)	DMIC2L_Control	IN2L_SIG_DET_ENA	0	0	0	0	IN2_OSR [2:0]			0	0	0	0	0	0	0	0	0	0500h
R795 (31Bh)	IN2L_Rate_Control	0	IN2L_RATE [3:0]			0	0	0	0	0	0	0	0	0	0	0	0	0	0000h
R796 (31Ch)	IN2R_Control	IN2R_HPF	0	0	IN2_DMICCLK_SRC [1:0]		0	0	0	IN2R_PGA_VOL [6:0]							0	0080h	
R797 (31Dh)	ADC_Digital_Volume_2R	0	IN2R_SRC [1:0]		0	IN2R_LP_MODE	0	IN_VU	IN2R_MUTE	IN2R_VOL [7:0]							0	0180h	
R798 (31Eh)	DMIC2R_Control	IN2R_SIG_DET_ENA	0	0	0	0	0	0	0	0	0	0	0	0	0	0	0	0	0000h
R799 (31Fh)	IN2R_Rate_Control	0	IN2R_RATE [3:0]			0	0	0	0	0	0	0	0	0	0	0	0	0	0000h
R800 (320h)	IN3L_Control	IN3L_HPF	0	0	0	0	0	0	0	0	0	0	0	0	0	0	0	0	0000h
R801 (321h)	ADC_Digital_Volume_3L	0	0	0	0	IN3L_LP_MODE	0	IN_VU	IN3L_MUTE	IN3L_VOL [7:0]							0	0180h	
R802 (322h)	DMIC3L_Control	IN3L_SIG_DET_ENA	0	0	0	0	IN3_OSR [2:0]			0	0	0	0	0	0	0	0	0	0500h
R803 (323h)	IN3L_Rate_Control	0	IN3L_RATE [3:0]			0	0	0	0	0	0	0	0	0	0	0	0	0	0000h
R804 (324h)	IN3R_Control	IN3R_HPF	0	0	IN3_DMICCLK_SRC [1:0]		0	0	0	0	0	0	0	0	0	0	0	0	0000h
R805 (325h)	ADC_Digital_Volume_3R	0	0	0	0	IN3R_LP_MODE	0	IN_VU	IN3R_MUTE	IN3R_VOL [7:0]							0	0180h	
R806 (326h)	DMIC3R_Control	IN3R_SIG_DET_ENA	0	0	0	0	0	0	0	0	0	0	0	0	0	0	0	0	0000h
R807 (327h)	IN3R_Rate_Control	0	IN3R_RATE [3:0]			0	0	0	0	0	0	0	0	0	0	0	0	0	0000h
R808 (328h)	IN4L_Control	IN4L_HPF	0	0	0	0	0	0	0	0	0	0	0	0	0	0	0	0	0000h
R809 (329h)	ADC_Digital_Volume_4L	0	0	0	0	IN4L_LP_MODE	0	IN_VU	IN4L_MUTE	IN4L_VOL [7:0]							0	0180h	
R810 (32Ah)	DMIC4L_Control	IN4L_SIG_DET_ENA	0	0	0	0	IN4_OSR [2:0]			0	0	0	0	0	0	0	0	0	0500h
R811 (32Bh)	IN4L_Rate_Control	0	IN4L_RATE [3:0]			0	0	0	0	0	0	0	0	0	0	0	0	0	0000h
R812 (32Ch)	IN4R_Control	IN4R_HPF	0	0	IN4_DMICCLK_SRC [1:0]		0	0	0	0	0	0	0	0	0	0	0	0	0000h
R813 (32Dh)	ADC_Digital_Volume_4R	0	0	0	0	IN4R_LP_MODE	0	IN_VU	IN4R_MUTE	IN4R_VOL [7:0]							0	0180h	
R814 (32Eh)	DMIC4R_Control	IN4R_SIG_DET_ENA	0	0	0	0	0	0	0	0	0	0	0	0	0	0	0	0	0000h

Table 6-1. Register Map Definition—16-bit region (Cont.)

Register	Name	15	14	13	12	11	10	9	8	7	6	5	4	3	2	1	0	Default	
R815 (32Fh)	IN4R_Rate_Control	0	IN4R_RATE [3:0]				0	0	0	0	0	0	0	0	0	0	0	0	0000h
R816 (330h)	IN5L_Control	IN5L_HPF	0	0	0	0	0	0	0	0	0	0	0	0	0	0	0	0000h	
R817 (331h)	ADC_Digital_Volume_5L	0	0	0	0	IN5L_LP_MODE	0	IN_VU	IN5L_MUTE	IN5L_VOL [7:0]							0180h		
R818 (332h)	DMIC5L_Control	IN5L_SIG_DET_ENA	0	0	0	0	IN5_OSR [2:0]		0	0	0	0	0	0	0	0	0	0500h	
R819 (333h)	IN5L_Rate_Control	0	IN5L_RATE [3:0]				0	0	0	0	0	0	0	0	0	0	0	0000h	
R820 (334h)	IN5R_Control	IN5R_HPF	0	0	IN5_DMICCLK_SRC [1:0]	0	0	0	0	0	0	0	0	0	0	0	0	0000h	
R821 (335h)	ADC_Digital_Volume_5R	0	0	0	0	IN5R_LP_MODE	0	IN_VU	IN5R_MUTE	IN5R_VOL [7:0]							0180h		
R822 (336h)	DMIC5R_Control	IN5R_SIG_DET_ENA	0	0	0	0	0	0	0	0	0	0	0	0	0	0	0	0000h	
R823 (337h)	IN5R_Rate_Control	0	IN5R_RATE [3:0]				0	0	0	0	0	0	0	0	0	0	0	0000h	
R832 (340h)	Signal_Detect_Globals	0	0	0	0	0	0	IN_SIG_DET_THR [4:0]				IN_SIG_DET_HOLD [3:0]				0001h			
R840 (348h)	Dig_Mic_Pad_Ctrl	0	0	0	0	0	0	0	0	0	0	0	0	0	0	DMICDAT2_PD	DMICDAT1_PD	0000h	
R1024 (400h)	Output_Enables_1	0	0	0	0	0	0	OUT5L_ENA	OUT5R_ENA	0	0	HP3L_ENA	HP3R_ENA	HP2L_ENA	HP2R_ENA	HP1L_ENA	HP1R_ENA	0000h	
R1025 (401h)	Output_Status_1	0	0	0	0	0	0	OUT5L_ENA_STS	OUT5R_ENA_STS	0	0	0	0	0	0	0	0	0000h	
R1030 (406h)	Raw_Output_Status_1	0	0	0	0	0	0	0	0	0	0	OUT3L_ENA_STS	OUT3R_ENA_STS	OUT2L_ENA_STS	OUT2R_ENA_STS	OUT1L_ENA_STS	OUT1R_ENA_STS	0000h	
R1032 (408h)	Output_Rate_1	0	OUT_RATE [3:0]				0	0	0	0	0	0	0	0	0	0	0	0	0000h
R1033 (409h)	Output_Volume_Ramp	0	0	0	0	0	0	0	0	0	OUT_VD_RAMP [2:0]		0	OUT_VI_RAMP [2:0]			0022h		
R1040 (410h)	Output_Path_Config_1L	0	OUT1L_HIFI	0	OUT1_MONO	OUT1L_ANC_SRC [1:0]	0	0	1	0	0	0	0	0	0	0	0	0080h	
R1041 (411h)	DAC_Digital_Volume_1L	0	0	0	0	0	0	OUT_VU	OUT1L_MUTE	OUT1L_VOL [7:0]							0180h		
R1042 (412h)	Output_Path_Config_1	0	0	0	0	0	0	0	0	0	0	0	0	HP1_GND_SEL [2:0]			0000h		
R1043 (413h)	Noise_Gate_Select_1L	0	0	0	0	OUT1L_NGATE_SRC [11:0]											0001h		
R1044 (414h)	Output_Path_Config_1R	0	OUT1R_HIFI	0	0	OUT1R_ANC_SRC [1:0]	0	0	1	0	0	0	0	0	0	0	0	0080h	
R1045 (415h)	DAC_Digital_Volume_1R	0	0	0	0	0	0	OUT_VU	OUT1R_MUTE	OUT1R_VOL [7:0]							0180h		
R1047 (417h)	Noise_Gate_Select_1R	0	0	0	0	OUT1R_NGATE_SRC [11:0]											0002h		
R1048 (418h)	Output_Path_Config_2L	0	OUT2L_HIFI	0	OUT2_MONO	OUT2L_ANC_SRC [1:0]	0	0	1	0	0	0	0	0	0	0	0	0080h	
R1049 (419h)	DAC_Digital_Volume_2L	0	0	0	0	0	0	OUT_VU	OUT2L_MUTE	OUT2L_VOL [7:0]							0180h		
R1050 (41Ah)	Output_Path_Config_2	0	0	0	0	0	0	0	0	0	0	0	0	HP2_GND_SEL [2:0]			0002h		
R1051 (41Bh)	Noise_Gate_Select_2L	0	0	0	0	OUT2L_NGATE_SRC [11:0]											0004h		
R1052 (41Ch)	Output_Path_Config_2R	0	OUT2R_HIFI	0	0	OUT2R_ANC_SRC [1:0]	0	0	1	0	0	0	0	0	0	0	0	0080h	
R1053 (41Dh)	DAC_Digital_Volume_2R	0	0	0	0	0	0	OUT_VU	OUT2R_MUTE	OUT2R_VOL [7:0]							0180h		
R1055 (41Fh)	Noise_Gate_Select_2R	0	0	0	0	OUT2R_NGATE_SRC [11:0]											0008h		
R1056 (420h)	Output_Path_Config_3L	0	OUT3L_HIFI	0	OUT3_MONO	OUT3L_ANC_SRC [1:0]	0	0	1	0	0	0	0	0	0	0	0	0080h	
R1057 (421h)	DAC_Digital_Volume_3L	0	0	0	0	0	0	OUT_VU	OUT3L_MUTE	OUT3L_VOL [7:0]							0180h		
R1059 (423h)	Noise_Gate_Select_3L	0	0	0	0	OUT3L_NGATE_SRC [11:0]											0010h		
R1060 (424h)	Output_Path_Config_3R	0	OUT3R_HIFI	0	0	OUT3R_ANC_SRC [1:0]	0	0	1	0	0	0	0	0	0	0	0	0080h	
R1061 (425h)	DAC_Digital_Volume_3R	0	0	0	0	0	0	OUT_VU	OUT3R_MUTE	OUT3R_VOL [7:0]							0180h		
R1063 (427h)	Noise_Gate_Select_3R	0	0	0	0	OUT3R_NGATE_SRC [11:0]											0020h		
R1072 (430h)	Output_Path_Config_5L	0	OUT5L_HIFI	OUT5_OSR	0	OUT5L_ANC_SRC [1:0]	0	0	0	0	0	0	0	0	0	0	0	0000h	
R1073 (431h)	DAC_Digital_Volume_5L	0	0	0	0	0	0	OUT_VU	OUT5L_MUTE	OUT5L_VOL [7:0]							0180h		

Table 6-1. Register Map Definition—16-bit region (Cont.)

Register	Name	15	14	13	12	11	10	9	8	7	6	5	4	3	2	1	0	Default	
R1075 (433h)	Noise_Gate_Select_5L	0	0	0	0	OUT5L_NGATE_SRC [11:0]											0100h		
R1076 (434h)	Output_Path_Config_5R	0	OUT5R_HIFI	0	0	OUT5R_ANC_SRC [1:0]		0	0	0	0	0	0	0	0	0	0	0000h	
R1077 (435h)	DAC_Digital_Volume_5R	0	0	0	0	0	0	OUT_VU	OUT5R_MUTE	OUT5R_VOL [7:0]							0180h		
R1079 (437h)	Noise_Gate_Select_5R	0	0	0	0	OUT5R_NGATE_SRC [11:0]											0200h		
R1102 (44Eh)	Filter_Control	0	0	0	0	0	0	0	0	0	0	0	0	HIFI_FIR_TYPE [3:0]			0000h		
R1104 (450h)	DAC_AEC_Control_1	0	0	0	0	0	0	0	0	0	AEC1_LOOPBACK_SRC [3:0]			AEC1_ENA_STS	AEC1_LOOPBACK_ENA	0000h			
R1105 (451h)	DAC_AEC_Control_2	0	0	0	0	0	0	0	0	0	AEC2_LOOPBACK_SRC [3:0]			AEC2_ENA_STS	AEC2_LOOPBACK_ENA	0000h			
R1112 (458h)	Noise_Gate_Control	0	0	0	0	0	0	0	0	0	NGATE_HOLD [1:0]		NGATE_THR [2:0]		NGATE_ENA	0000h			
R1168 (490h)	PDM_SPK1_CTRL_1	0	0	SPK1R_MUTE	SPK1L_MUTE	0	0	0	0	SPK1_MUTE_ENDIAN	SPK1_MUTE_SEQ [7:0]						0069h		
R1169 (491h)	PDM_SPK1_CTRL_2	0	0	0	0	0	0	0	0	0	0	0	0	0	0	0	SPK1_FMT	0000h	
R1280 (500h)	AIF1_BCLK_Ctrl	0	0	0	0	0	0	0	0	AIF1_BCLK_INV	AIF1_BCLK_FRC	AIF1_BCLK_MSTR	AIF1_BCLK_FREQ [4:0]				000Ch		
R1281 (501h)	AIF1_Tx_Pin_Ctrl	0	0	0	0	0	0	0	0	0	0	AIF1TX_DAT_TR1	0	0	0	0	0	0000h	
R1282 (502h)	AIF1_Rx_Pin_Ctrl	0	0	0	0	0	0	0	0	0	0	0	AIF1_LRCLK_ADV	0	AIF1_LRCLK_INV	AIF1_LRCLK_FRC	AIF1_LRCLK_MSTR	0000h	
R1283 (503h)	AIF1_Rate_Ctrl	0	AIF1_RATE [3:0]			0	0	0	0	0	AIF1_TR1	0	0	0	0	0	0	0	0000h
R1284 (504h)	AIF1_Format	0	0	0	0	0	0	0	0	0	0	0	0	AIF1_FMT [2:0]			0000h		
R1286 (506h)	AIF1_Rx_BCLK_Rate	0	0	0	AIF1_BCPF [12:0]											0040h			
R1287 (507h)	AIF1_Frame_Ctrl_1	0	0	AIF1TX_WL [5:0]					AIF1TX_SLOT_LEN [7:0]					1818h					
R1288 (508h)	AIF1_Frame_Ctrl_2	0	0	AIF1RX_WL [5:0]					AIF1RX_SLOT_LEN [7:0]					1818h					
R1289 (509h)	AIF1_Frame_Ctrl_3	0	0	0	0	0	0	0	0	0	AIF1TX1_SLOT [5:0]					0000h			
R1290 (50Ah)	AIF1_Frame_Ctrl_4	0	0	0	0	0	0	0	0	0	AIF1TX2_SLOT [5:0]					0001h			
R1291 (50Bh)	AIF1_Frame_Ctrl_5	0	0	0	0	0	0	0	0	0	AIF1TX3_SLOT [5:0]					0002h			
R1292 (50Ch)	AIF1_Frame_Ctrl_6	0	0	0	0	0	0	0	0	0	AIF1TX4_SLOT [5:0]					0003h			
R1293 (50Dh)	AIF1_Frame_Ctrl_7	0	0	0	0	0	0	0	0	0	AIF1TX5_SLOT [5:0]					0004h			
R1294 (50Eh)	AIF1_Frame_Ctrl_8	0	0	0	0	0	0	0	0	0	AIF1TX6_SLOT [5:0]					0005h			
R1295 (50Fh)	AIF1_Frame_Ctrl_9	0	0	0	0	0	0	0	0	0	AIF1TX7_SLOT [5:0]					0006h			
R1296 (510h)	AIF1_Frame_Ctrl_10	0	0	0	0	0	0	0	0	0	AIF1TX8_SLOT [5:0]					0007h			
R1297 (511h)	AIF1_Frame_Ctrl_11	0	0	0	0	0	0	0	0	0	AIF1RX1_SLOT [5:0]					0000h			
R1298 (512h)	AIF1_Frame_Ctrl_12	0	0	0	0	0	0	0	0	0	AIF1RX2_SLOT [5:0]					0001h			
R1299 (513h)	AIF1_Frame_Ctrl_13	0	0	0	0	0	0	0	0	0	AIF1RX3_SLOT [5:0]					0002h			
R1300 (514h)	AIF1_Frame_Ctrl_14	0	0	0	0	0	0	0	0	0	AIF1RX4_SLOT [5:0]					0003h			
R1301 (515h)	AIF1_Frame_Ctrl_15	0	0	0	0	0	0	0	0	0	AIF1RX5_SLOT [5:0]					0004h			
R1302 (516h)	AIF1_Frame_Ctrl_16	0	0	0	0	0	0	0	0	0	AIF1RX6_SLOT [5:0]					0005h			
R1303 (517h)	AIF1_Frame_Ctrl_17	0	0	0	0	0	0	0	0	0	AIF1RX7_SLOT [5:0]					0006h			
R1304 (518h)	AIF1_Frame_Ctrl_18	0	0	0	0	0	0	0	0	0	AIF1RX8_SLOT [5:0]					0007h			
R1305 (519h)	AIF1_Tx_Enables	0	0	0	0	0	0	0	0	AIF1TX8_ENA	AIF1TX7_ENA	AIF1TX6_ENA	AIF1TX5_ENA	AIF1TX4_ENA	AIF1TX3_ENA	AIF1TX2_ENA	AIF1TX1_ENA	0000h	
R1306 (51Ah)	AIF1_Rx_Enables	0	0	0	0	0	0	0	0	AIF1RX8_ENA	AIF1RX7_ENA	AIF1RX6_ENA	AIF1RX5_ENA	AIF1RX4_ENA	AIF1RX3_ENA	AIF1RX2_ENA	AIF1RX1_ENA	0000h	
R1344 (540h)	AIF2_BCLK_Ctrl	0	0	0	0	0	0	0	0	AIF2_BCLK_INV	AIF2_BCLK_FRC	AIF2_BCLK_MSTR	AIF2_BCLK_FREQ [4:0]				000Ch		

Table 6-1. Register Map Definition—16-bit region (Cont.)

Register	Name	15	14	13	12	11	10	9	8	7	6	5	4	3	2	1	0	Default	
R1345 (541h)	AIF2_Tx_Pin_Ctrl	0	0	0	0	0	0	0	0	0	0	AIF2TX_DAT_TRI	0	0	0	0	0	0000h	
R1346 (542h)	AIF2_Rx_Pin_Ctrl	0	0	0	0	0	0	0	0	0	0	0	AIF2_LRCLK_ADV	0	AIF2_LRCLK_INV	AIF2_LRCLK_FRC	AIF2_LRCLK_MSTR	0000h	
R1347 (543h)	AIF2_Rate_Ctrl	0	AIF2_RATE [3:0]					0	0	0	0	AIF2_TRI	0	0	0	0	0	0	0000h
R1348 (544h)	AIF2_Format	0	0	0	0	0	0	0	0	0	0	0	0	AIF2_FMT [2:0]				0000h	
R1350 (546h)	AIF2_Rx_BCLK_Rate	0	0	0	AIF2_BCPF [12:0]												0040h		
R1351 (547h)	AIF2_Frame_Ctrl_1	0	0	AIF2TX_WL [5:0]						AIF2TX_SLOT_LEN [7:0]						1818h			
R1352 (548h)	AIF2_Frame_Ctrl_2	0	0	AIF2RX_WL [5:0]						AIF2RX_SLOT_LEN [7:0]						1818h			
R1353 (549h)	AIF2_Frame_Ctrl_3	0	0	0	0	0	0	0	0	0	AIF2TX1_SLOT [5:0]						0000h		
R1354 (54Ah)	AIF2_Frame_Ctrl_4	0	0	0	0	0	0	0	0	0	AIF2TX2_SLOT [5:0]						0001h		
R1355 (54Bh)	AIF2_Frame_Ctrl_5	0	0	0	0	0	0	0	0	0	AIF2TX3_SLOT [5:0]						0002h		
R1356 (54Ch)	AIF2_Frame_Ctrl_6	0	0	0	0	0	0	0	0	0	AIF2TX4_SLOT [5:0]						0003h		
R1357 (54Dh)	AIF2_Frame_Ctrl_7	0	0	0	0	0	0	0	0	0	AIF2TX5_SLOT [5:0]						0004h		
R1358 (54Eh)	AIF2_Frame_Ctrl_8	0	0	0	0	0	0	0	0	0	AIF2TX6_SLOT [5:0]						0005h		
R1359 (54Fh)	AIF2_Frame_Ctrl_9	0	0	0	0	0	0	0	0	0	AIF2TX7_SLOT [5:0]						0006h		
R1360 (550h)	AIF2_Frame_Ctrl_10	0	0	0	0	0	0	0	0	0	AIF2TX8_SLOT [5:0]						0007h		
R1361 (551h)	AIF2_Frame_Ctrl_11	0	0	0	0	0	0	0	0	0	AIF2RX1_SLOT [5:0]						0000h		
R1362 (552h)	AIF2_Frame_Ctrl_12	0	0	0	0	0	0	0	0	0	AIF2RX2_SLOT [5:0]						0001h		
R1363 (553h)	AIF2_Frame_Ctrl_13	0	0	0	0	0	0	0	0	0	AIF2RX3_SLOT [5:0]						0002h		
R1364 (554h)	AIF2_Frame_Ctrl_14	0	0	0	0	0	0	0	0	0	AIF2RX4_SLOT [5:0]						0003h		
R1365 (555h)	AIF2_Frame_Ctrl_15	0	0	0	0	0	0	0	0	0	AIF2RX5_SLOT [5:0]						0004h		
R1366 (556h)	AIF2_Frame_Ctrl_16	0	0	0	0	0	0	0	0	0	AIF2RX6_SLOT [5:0]						0005h		
R1367 (557h)	AIF2_Frame_Ctrl_17	0	0	0	0	0	0	0	0	0	AIF2RX7_SLOT [5:0]						0006h		
R1368 (558h)	AIF2_Frame_Ctrl_18	0	0	0	0	0	0	0	0	0	AIF2RX8_SLOT [5:0]						0007h		
R1369 (559h)	AIF2_Tx_Enables	0	0	0	0	0	0	0	0	AIF2TX8_ENA	AIF2TX7_ENA	AIF2TX6_ENA	AIF2TX5_ENA	AIF2TX4_ENA	AIF2TX3_ENA	AIF2TX2_ENA	AIF2TX1_ENA	0000h	
R1370 (55Ah)	AIF2_Rx_Enables	0	0	0	0	0	0	0	0	AIF2RX8_ENA	AIF2RX7_ENA	AIF2RX6_ENA	AIF2RX5_ENA	AIF2RX4_ENA	AIF2RX3_ENA	AIF2RX2_ENA	AIF2RX1_ENA	0000h	
R1408 (580h)	AIF3_BCLK_Ctrl	0	0	0	0	0	0	0	0	AIF3_BCLK_INV	AIF3_BCLK_FRC	AIF3_BCLK_MSTR	AIF3_BCLK_FREQ [4:0]					000Ch	
R1409 (581h)	AIF3_Tx_Pin_Ctrl	0	0	0	0	0	0	0	0	0	0	AIF3TX_DAT_TRI	0	0	0	0	0	0000h	
R1410 (582h)	AIF3_Rx_Pin_Ctrl	0	0	0	0	0	0	0	0	0	0	0	AIF3_LRCLK_ADV	0	AIF3_LRCLK_INV	AIF3_LRCLK_FRC	AIF3_LRCLK_MSTR	0000h	
R1411 (583h)	AIF3_Rate_Ctrl	0	AIF3_RATE [3:0]					0	0	0	0	AIF3_TRI	0	0	0	0	0	0	0000h
R1412 (584h)	AIF3_Format	0	0	0	0	0	0	0	0	0	0	0	0	AIF3_FMT [2:0]				0000h	
R1414 (586h)	AIF3_Rx_BCLK_Rate	0	0	0	AIF3_BCPF [12:0]												0040h		
R1415 (587h)	AIF3_Frame_Ctrl_1	0	0	AIF3TX_WL [5:0]						AIF3TX_SLOT_LEN [7:0]						1818h			
R1416 (588h)	AIF3_Frame_Ctrl_2	0	0	AIF3RX_WL [5:0]						AIF3RX_SLOT_LEN [7:0]						1818h			
R1417 (589h)	AIF3_Frame_Ctrl_3	0	0	0	0	0	0	0	0	0	AIF3TX1_SLOT [5:0]						0000h		
R1418 (58Ah)	AIF3_Frame_Ctrl_4	0	0	0	0	0	0	0	0	0	AIF3TX2_SLOT [5:0]						0001h		
R1425 (591h)	AIF3_Frame_Ctrl_11	0	0	0	0	0	0	0	0	0	AIF3RX1_SLOT [5:0]						0000h		
R1426 (592h)	AIF3_Frame_Ctrl_12	0	0	0	0	0	0	0	0	0	AIF3RX2_SLOT [5:0]						0001h		
R1433 (599h)	AIF3_Tx_Enables	0	0	0	0	0	0	0	0	0	0	0	0	0	0	AIF3TX2_ENA	AIF3TX1_ENA	0000h	

Table 6-1. Register Map Definition—16-bit region (Cont.)

Register	Name	15	14	13	12	11	10	9	8	7	6	5	4	3	2	1	0	Default	
R1434 (59Ah)	AIF3_Rx_Enables	0	0	0	0	0	0	0	0	0	0	0	0	0	0	AIF3RX2_ENA	AIF3RX1_ENA	0000h	
R1440 (5A0h)	AIF4_BCLK_Ctrl	0	0	0	0	0	0	0	0	AIF4_BCLK_INV	AIF4_BCLK_FRC	AIF4_BCLK_MSTR	AIF4_BCLK_FREQ [4:0]				000Ch		
R1441 (5A1h)	AIF4_Tx_Pin_Ctrl	0	0	0	0	0	0	0	0	0	0	AIF4TX_DAT_TR1	0	0	0	0	0	0000h	
R1442 (5A2h)	AIF4_Rx_Pin_Ctrl	0	0	0	0	0	0	0	0	0	0	0	AIF4_LRCLK_ADV	0	AIF4_LRCLK_INV	AIF4_LRCLK_FRC	AIF4_LRCLK_MSTR	0000h	
R1443 (5A3h)	AIF4_Rate_Ctrl	0	AIF4_RATE [3:0]				0	0	0	0	AIF4_TR1	0	0	0	0	0	0	0	0000h
R1444 (5A4h)	AIF4_Format	0	0	0	0	0	0	0	0	0	0	0	0	AIF4_FMT [2:0]				0000h	
R1446 (5A6h)	AIF4_Rx_BCLK_Rate	0	0	AIF4_BCPF [12:0]												0040h			
R1447 (5A7h)	AIF4_Frame_Ctrl_1	0	0	AIF4TX_WL [5:0]						AIF4TX_SLOT_LEN [7:0]						1818h			
R1448 (5A8h)	AIF4_Frame_Ctrl_2	0	0	AIF4RX_WL [5:0]						AIF4RX_SLOT_LEN [7:0]						1818h			
R1449 (5A9h)	AIF4_Frame_Ctrl_3	0	0	0	0	0	0	0	0	0	0	AIF4TX1_SLOT [5:0]				0000h			
R1450 (5AAh)	AIF4_Frame_Ctrl_4	0	0	0	0	0	0	0	0	0	0	AIF4TX2_SLOT [5:0]				0001h			
R1457 (5B1h)	AIF4_Frame_Ctrl_11	0	0	0	0	0	0	0	0	0	0	AIF4RX1_SLOT [5:0]				0000h			
R1458 (5B2h)	AIF4_Frame_Ctrl_12	0	0	0	0	0	0	0	0	0	0	AIF4RX2_SLOT [5:0]				0001h			
R1465 (5B9h)	AIF4_Tx_Enables	0	0	0	0	0	0	0	0	0	0	0	0	0	0	AIF4TX2_ENA	AIF4TX1_ENA	0000h	
R1466 (5BAh)	AIF4_Rx_Enables	0	0	0	0	0	0	0	0	0	0	0	0	0	0	AIF4RX2_ENA	AIF4RX1_ENA	0000h	
R1474 (5C2h)	SPD1_TX_Control	0	0	SPD1_VAL2	SPD1_VAL1	0	0	0	0	SPD1_RATE [3:0]				0	0	0	SPD1_ENA	0000h	
R1475 (5C3h)	SPD1_TX_Channel_Status_1	SPD1_CATCODE [7:0]						SPD1_CHSTMODE [1:0]		SPD1_PREEMPH [2:0]		SPD1_NOCOPLY	SPD1_NOAUDIIO	SPD1_PRO	0000h				
R1476 (5C4h)	SPD1_TX_Channel_Status_2	SPD1_FREQ [3:0]			SPD1_CHNUM2 [3:0]			SPD1_CHNUM1 [3:0]			SPD1_SRCNUM [3:0]				0001h				
R1477 (5C5h)	SPD1_TX_Channel_Status_3	0	0	0	0	SPD1_ORGSAMP [3:0]			SPD1_TXWL [2:0]		SPD1_MAXWL	SPD1_CS31_30 [1:0]		SPD1_CLKACU [1:0]		0000h			
R1490 (5D2h)	SLIMbus_RX_Ports0	0	0	SLIMRX2_PORT_ADDR [5:0]						0	0	SLIMRX1_PORT_ADDR [5:0]				0100h			
R1491 (5D3h)	SLIMbus_RX_Ports1	0	0	SLIMRX4_PORT_ADDR [5:0]						0	0	SLIMRX3_PORT_ADDR [5:0]				0302h			
R1492 (5D4h)	SLIMbus_RX_Ports2	0	0	SLIMRX6_PORT_ADDR [5:0]						0	0	SLIMRX5_PORT_ADDR [5:0]				0504h			
R1493 (5D5h)	SLIMbus_RX_Ports3	0	0	SLIMRX8_PORT_ADDR [5:0]						0	0	SLIMRX7_PORT_ADDR [5:0]				0706h			
R1494 (5D6h)	SLIMbus_TX_Ports0	0	0	SLIMTX2_PORT_ADDR [5:0]						0	0	SLIMTX1_PORT_ADDR [5:0]				0908h			
R1495 (5D7h)	SLIMbus_TX_Ports1	0	0	SLIMTX4_PORT_ADDR [5:0]						0	0	SLIMTX3_PORT_ADDR [5:0]				0B0Ah			
R1496 (5D8h)	SLIMbus_TX_Ports2	0	0	SLIMTX6_PORT_ADDR [5:0]						0	0	SLIMTX5_PORT_ADDR [5:0]				0D0Ch			
R1497 (5D9h)	SLIMbus_TX_Ports3	0	0	SLIMTX8_PORT_ADDR [5:0]						0	0	SLIMTX7_PORT_ADDR [5:0]				0F0Eh			
R1507 (5E3h)	SLIMbus_Framer_Ref_Gear	0	0	0	0	0	0	0	0	0	0	SLIMCLK_SRC	SLIMCLK_REF_GEAR [3:0]				0000h		
R1509 (5E5h)	SLIMbus_Rates_1	0	SLIMRX2_RATE [3:0]				0	0	0	0	SLIMRX1_RATE [3:0]				0	0	0	0000h	
R1510 (5E6h)	SLIMbus_Rates_2	0	SLIMRX4_RATE [3:0]				0	0	0	0	SLIMRX3_RATE [3:0]				0	0	0	0000h	
R1511 (5E7h)	SLIMbus_Rates_3	0	SLIMRX6_RATE [3:0]				0	0	0	0	SLIMRX5_RATE [3:0]				0	0	0	0000h	
R1512 (5E8h)	SLIMbus_Rates_4	0	SLIMRX8_RATE [3:0]				0	0	0	0	SLIMRX7_RATE [3:0]				0	0	0	0000h	
R1513 (5E9h)	SLIMbus_Rates_5	0	SLIMTX2_RATE [3:0]				0	0	0	0	SLIMTX1_RATE [3:0]				0	0	0	0000h	
R1514 (5EAh)	SLIMbus_Rates_6	0	SLIMTX4_RATE [3:0]				0	0	0	0	SLIMTX3_RATE [3:0]				0	0	0	0000h	
R1515 (5EBh)	SLIMbus_Rates_7	0	SLIMTX6_RATE [3:0]				0	0	0	0	SLIMTX5_RATE [3:0]				0	0	0	0000h	
R1516 (5ECh)	SLIMbus_Rates_8	0	SLIMTX8_RATE [3:0]				0	0	0	0	SLIMTX7_RATE [3:0]				0	0	0	0000h	
R1520 (5F0h)	Slimbus_Pad_Ctrl	0	0	0	0	0	0	0	0	0	0	0	SLIMDAT3_DRV_STR	SLIMDAT2_DRV_STR	SLIMDAT1_DRV_STR	SLIMCLK_DRV_STR	000Fh		
R1525 (5F5h)	SLIMbus_RX_Channel_Enable	0	0	0	0	0	0	0	0	SLIMRX8_ENA	SLIMRX7_ENA	SLIMRX6_ENA	SLIMRX5_ENA	SLIMRX4_ENA	SLIMRX3_ENA	SLIMRX2_ENA	SLIMRX1_ENA	0000h	

Table 6-1. Register Map Definition—16-bit region (Cont.)

Register	Name	15	14	13	12	11	10	9	8	7	6	5	4	3	2	1	0	Default
R1526 (5F6h)	SLIMbus_TX_Channel_Enable	0	0	0	0	0	0	0	0	SLIMTX8_ENA	SLIMTX7_ENA	SLIMTX6_ENA	SLIMTX5_ENA	SLIMTX4_ENA	SLIMTX3_ENA	SLIMTX2_ENA	SLIMTX1_ENA	0000h
R1527 (5F7h)	SLIMbus_RX_Port_Status	0	0	0	0	0	0	0	0	SLIMRX8_PORT_STS	SLIMRX7_PORT_STS	SLIMRX6_PORT_STS	SLIMRX5_PORT_STS	SLIMRX4_PORT_STS	SLIMRX3_PORT_STS	SLIMRX2_PORT_STS	SLIMRX1_PORT_STS	0000h
R1528 (5F8h)	SLIMbus_TX_Port_Status	0	0	0	0	0	0	0	0	SLIMTX8_PORT_STS	SLIMTX7_PORT_STS	SLIMTX6_PORT_STS	SLIMTX5_PORT_STS	SLIMTX4_PORT_STS	SLIMTX3_PORT_STS	SLIMTX2_PORT_STS	SLIMTX1_PORT_STS	0000h
R1537 (601h)	Mixer_Bypass	0	0	0	0	0	0	0	0	0	0	0	0	0	0	MIXER_AIF_BYP	MIXER_DSP_BYP	0001h
R1600 (640h)	PWM1MIX_Input_1_Source	PWM1MIX_STS1	0	0	0	0	0	0	0	PWM1MIX_SRC1 [7:0]								0000h
R1601 (641h)	PWM1MIX_Input_1_Volume	0	0	0	0	0	0	0	0	PWM1MIX_VOL1 [6:0]							0	0080h
R1602 (642h)	PWM1MIX_Input_2_Source	PWM1MIX_STS2	0	0	0	0	0	0	0	PWM1MIX_SRC2 [7:0]								0000h
R1603 (643h)	PWM1MIX_Input_2_Volume	0	0	0	0	0	0	0	0	PWM1MIX_VOL2 [6:0]							0	0080h
R1604 (644h)	PWM1MIX_Input_3_Source	PWM1MIX_STS3	0	0	0	0	0	0	0	PWM1MIX_SRC3 [7:0]								0000h
R1605 (645h)	PWM1MIX_Input_3_Volume	0	0	0	0	0	0	0	0	PWM1MIX_VOL3 [6:0]							0	0080h
R1606 (646h)	PWM1MIX_Input_4_Source	PWM1MIX_STS4	0	0	0	0	0	0	0	PWM1MIX_SRC4 [7:0]								0000h
R1607 (647h)	PWM1MIX_Input_4_Volume	0	0	0	0	0	0	0	0	PWM1MIX_VOL4 [6:0]							0	0080h
R1608 (648h)	PWM2MIX_Input_1_Source	PWM2MIX_STS1	0	0	0	0	0	0	0	PWM2MIX_SRC1 [7:0]								0000h
R1609 (649h)	PWM2MIX_Input_1_Volume	0	0	0	0	0	0	0	0	PWM2MIX_VOL1 [6:0]							0	0080h
R1610 (64Ah)	PWM2MIX_Input_2_Source	PWM2MIX_STS2	0	0	0	0	0	0	0	PWM2MIX_SRC2 [7:0]								0000h
R1611 (64Bh)	PWM2MIX_Input_2_Volume	0	0	0	0	0	0	0	0	PWM2MIX_VOL2 [6:0]							0	0080h
R1612 (64Ch)	PWM2MIX_Input_3_Source	PWM2MIX_STS3	0	0	0	0	0	0	0	PWM2MIX_SRC3 [7:0]								0000h
R1613 (64Dh)	PWM2MIX_Input_3_Volume	0	0	0	0	0	0	0	0	PWM2MIX_VOL3 [6:0]							0	0080h
R1614 (64Eh)	PWM2MIX_Input_4_Source	PWM2MIX_STS4	0	0	0	0	0	0	0	PWM2MIX_SRC4 [7:0]								0000h
R1615 (64Fh)	PWM2MIX_Input_4_Volume	0	0	0	0	0	0	0	0	PWM2MIX_VOL4 [6:0]							0	0080h
R1664 (680h)	OUT1LMIX_Input_1_Source	OUT1LMIX_STS1	0	0	0	0	0	0	0	OUT1LMIX_SRC1 [7:0]								0000h
R1665 (681h)	OUT1LMIX_Input_1_Volume	0	0	0	0	0	0	0	0	OUT1LMIX_VOL1 [6:0]							0	0080h
R1666 (682h)	OUT1LMIX_Input_2_Source	OUT1LMIX_STS2	0	0	0	0	0	0	0	OUT1LMIX_SRC2 [7:0]								0000h
R1667 (683h)	OUT1LMIX_Input_2_Volume	0	0	0	0	0	0	0	0	OUT1LMIX_VOL2 [6:0]							0	0080h
R1668 (684h)	OUT1LMIX_Input_3_Source	OUT1LMIX_STS3	0	0	0	0	0	0	0	OUT1LMIX_SRC3 [7:0]								0000h
R1669 (685h)	OUT1LMIX_Input_3_Volume	0	0	0	0	0	0	0	0	OUT1LMIX_VOL3 [6:0]							0	0080h
R1670 (686h)	OUT1LMIX_Input_4_Source	OUT1LMIX_STS4	0	0	0	0	0	0	0	OUT1LMIX_SRC4 [7:0]								0000h
R1671 (687h)	OUT1LMIX_Input_4_Volume	0	0	0	0	0	0	0	0	OUT1LMIX_VOL4 [6:0]							0	0080h
R1672 (688h)	OUT1RMIX_Input_1_Source	OUT1RMIX_STS1	0	0	0	0	0	0	0	OUT1RMIX_SRC1 [7:0]								0000h
R1673 (689h)	OUT1RMIX_Input_1_Volume	0	0	0	0	0	0	0	0	OUT1RMIX_VOL1 [6:0]							0	0080h
R1674 (68Ah)	OUT1RMIX_Input_2_Source	OUT1RMIX_STS2	0	0	0	0	0	0	0	OUT1RMIX_SRC2 [7:0]								0000h
R1675 (68Bh)	OUT1RMIX_Input_2_Volume	0	0	0	0	0	0	0	0	OUT1RMIX_VOL2 [6:0]							0	0080h
R1676 (68Ch)	OUT1RMIX_Input_3_Source	OUT1RMIX_STS3	0	0	0	0	0	0	0	OUT1RMIX_SRC3 [7:0]								0000h
R1677 (68Dh)	OUT1RMIX_Input_3_Volume	0	0	0	0	0	0	0	0	OUT1RMIX_VOL3 [6:0]							0	0080h
R1678 (68Eh)	OUT1RMIX_Input_4_Source	OUT1RMIX_STS4	0	0	0	0	0	0	0	OUT1RMIX_SRC4 [7:0]								0000h
R1679 (68Fh)	OUT1RMIX_Input_4_Volume	0	0	0	0	0	0	0	0	OUT1RMIX_VOL4 [6:0]							0	0080h
R1680 (690h)	OUT2LMIX_Input_1_Source	OUT2LMIX_STS1	0	0	0	0	0	0	0	OUT2LMIX_SRC1 [7:0]								0000h
R1681 (691h)	OUT2LMIX_Input_1_Volume	0	0	0	0	0	0	0	0	OUT2LMIX_VOL1 [6:0]							0	0080h

Table 6-1. Register Map Definition—16-bit region (Cont.)

Register	Name	15	14	13	12	11	10	9	8	7	6	5	4	3	2	1	0	Default
R1682 (692h)	OUT2LMIX_Input_2_Source	OUT2LMIX_STS2	0	0	0	0	0	0	0	OUT2LMIX_SRC2 [7:0]							0000h	
R1683 (693h)	OUT2LMIX_Input_2_Volume	0	0	0	0	0	0	0	0	OUT2LMIX_VOL2 [6:0]						0	0080h	
R1684 (694h)	OUT2LMIX_Input_3_Source	OUT2LMIX_STS3	0	0	0	0	0	0	0	OUT2LMIX_SRC3 [7:0]							0000h	
R1685 (695h)	OUT2LMIX_Input_3_Volume	0	0	0	0	0	0	0	0	OUT2LMIX_VOL3 [6:0]						0	0080h	
R1686 (696h)	OUT2LMIX_Input_4_Source	OUT2LMIX_STS4	0	0	0	0	0	0	0	OUT2LMIX_SRC4 [7:0]							0000h	
R1687 (697h)	OUT2LMIX_Input_4_Volume	0	0	0	0	0	0	0	0	OUT2LMIX_VOL4 [6:0]						0	0080h	
R1688 (698h)	OUT2RMIX_Input_1_Source	OUT2RMIX_STS1	0	0	0	0	0	0	0	OUT2RMIX_SRC1 [7:0]							0000h	
R1689 (699h)	OUT2RMIX_Input_1_Volume	0	0	0	0	0	0	0	0	OUT2RMIX_VOL1 [6:0]						0	0080h	
R1690 (69Ah)	OUT2RMIX_Input_2_Source	OUT2RMIX_STS2	0	0	0	0	0	0	0	OUT2RMIX_SRC2 [7:0]							0000h	
R1691 (69Bh)	OUT2RMIX_Input_2_Volume	0	0	0	0	0	0	0	0	OUT2RMIX_VOL2 [6:0]						0	0080h	
R1692 (69Ch)	OUT2RMIX_Input_3_Source	OUT2RMIX_STS3	0	0	0	0	0	0	0	OUT2RMIX_SRC3 [7:0]							0000h	
R1693 (69Dh)	OUT2RMIX_Input_3_Volume	0	0	0	0	0	0	0	0	OUT2RMIX_VOL3 [6:0]						0	0080h	
R1694 (69Eh)	OUT2RMIX_Input_4_Source	OUT2RMIX_STS4	0	0	0	0	0	0	0	OUT2RMIX_SRC4 [7:0]							0000h	
R1695 (69Fh)	OUT2RMIX_Input_4_Volume	0	0	0	0	0	0	0	0	OUT2RMIX_VOL4 [6:0]						0	0080h	
R1696 (6A0h)	OUT3LMIX_Input_1_Source	OUT3LMIX_STS1	0	0	0	0	0	0	0	OUT3LMIX_SRC1 [7:0]							0000h	
R1697 (6A1h)	OUT3LMIX_Input_1_Volume	0	0	0	0	0	0	0	0	OUT3LMIX_VOL1 [6:0]						0	0080h	
R1698 (6A2h)	OUT3LMIX_Input_2_Source	OUT3LMIX_STS2	0	0	0	0	0	0	0	OUT3LMIX_SRC2 [7:0]							0000h	
R1699 (6A3h)	OUT3LMIX_Input_2_Volume	0	0	0	0	0	0	0	0	OUT3LMIX_VOL2 [6:0]						0	0080h	
R1700 (6A4h)	OUT3LMIX_Input_3_Source	OUT3LMIX_STS3	0	0	0	0	0	0	0	OUT3LMIX_SRC3 [7:0]							0000h	
R1701 (6A5h)	OUT3LMIX_Input_3_Volume	0	0	0	0	0	0	0	0	OUT3LMIX_VOL3 [6:0]						0	0080h	
R1702 (6A6h)	OUT3LMIX_Input_4_Source	OUT3LMIX_STS4	0	0	0	0	0	0	0	OUT3LMIX_SRC4 [7:0]							0000h	
R1703 (6A7h)	OUT3LMIX_Input_4_Volume	0	0	0	0	0	0	0	0	OUT3LMIX_VOL4 [6:0]						0	0080h	
R1704 (6A8h)	OUT3RMIX_Input_1_Source	OUT3RMIX_STS1	0	0	0	0	0	0	0	OUT3RMIX_SRC1 [7:0]							0000h	
R1705 (6A9h)	OUT3RMIX_Input_1_Volume	0	0	0	0	0	0	0	0	OUT3RMIX_VOL1 [6:0]						0	0080h	
R1706 (6AAh)	OUT3RMIX_Input_2_Source	OUT3RMIX_STS2	0	0	0	0	0	0	0	OUT3RMIX_SRC2 [7:0]							0000h	
R1707 (6ABh)	OUT3RMIX_Input_2_Volume	0	0	0	0	0	0	0	0	OUT3RMIX_VOL2 [6:0]						0	0080h	
R1708 (6ACh)	OUT3RMIX_Input_3_Source	OUT3RMIX_STS3	0	0	0	0	0	0	0	OUT3RMIX_SRC3 [7:0]							0000h	
R1709 (6ADh)	OUT3RMIX_Input_3_Volume	0	0	0	0	0	0	0	0	OUT3RMIX_VOL3 [6:0]						0	0080h	
R1710 (6AEh)	OUT3RMIX_Input_4_Source	OUT3RMIX_STS4	0	0	0	0	0	0	0	OUT3RMIX_SRC4 [7:0]							0000h	
R1711 (6AFh)	OUT3RMIX_Input_4_Volume	0	0	0	0	0	0	0	0	OUT3RMIX_VOL4 [6:0]						0	0080h	
R1728 (6C0h)	OUT5LMIX_Input_1_Source	OUT5LMIX_STS1	0	0	0	0	0	0	0	OUT5LMIX_SRC1 [7:0]							0000h	
R1729 (6C1h)	OUT5LMIX_Input_1_Volume	0	0	0	0	0	0	0	0	OUT5LMIX_VOL1 [6:0]						0	0080h	
R1730 (6C2h)	OUT5LMIX_Input_2_Source	OUT5LMIX_STS2	0	0	0	0	0	0	0	OUT5LMIX_SRC2 [7:0]							0000h	
R1731 (6C3h)	OUT5LMIX_Input_2_Volume	0	0	0	0	0	0	0	0	OUT5LMIX_VOL2 [6:0]						0	0080h	
R1732 (6C4h)	OUT5LMIX_Input_3_Source	OUT5LMIX_STS3	0	0	0	0	0	0	0	OUT5LMIX_SRC3 [7:0]							0000h	
R1733 (6C5h)	OUT5LMIX_Input_3_Volume	0	0	0	0	0	0	0	0	OUT5LMIX_VOL3 [6:0]						0	0080h	
R1734 (6C6h)	OUT5LMIX_Input_4_Source	OUT5LMIX_STS4	0	0	0	0	0	0	0	OUT5LMIX_SRC4 [7:0]							0000h	
R1735 (6C7h)	OUT5LMIX_Input_4_Volume	0	0	0	0	0	0	0	0	OUT5LMIX_VOL4 [6:0]						0	0080h	

Table 6-1. Register Map Definition—16-bit region (Cont.)

Register	Name	15	14	13	12	11	10	9	8	7	6	5	4	3	2	1	0	Default
R1736 (6C8h)	OUT5RMIX_Input_1_Source	OUT5RMI X_STS1	0	0	0	0	0	0	0	OUT5RMIX_SRC1 [7:0]								0000h
R1737 (6C9h)	OUT5RMIX_Input_1_Volume	0	0	0	0	0	0	0	0	OUT5RMIX_VOL1 [6:0]							0	0080h
R1738 (6CAh)	OUT5RMIX_Input_2_Source	OUT5RMI X_STS2	0	0	0	0	0	0	0	OUT5RMIX_SRC2 [7:0]								0000h
R1739 (6CBh)	OUT5RMIX_Input_2_Volume	0	0	0	0	0	0	0	0	OUT5RMIX_VOL2 [6:0]							0	0080h
R1740 (6CCh)	OUT5RMIX_Input_3_Source	OUT5RMI X_STS3	0	0	0	0	0	0	0	OUT5RMIX_SRC3 [7:0]								0000h
R1741 (6CDh)	OUT5RMIX_Input_3_Volume	0	0	0	0	0	0	0	0	OUT5RMIX_VOL3 [6:0]							0	0080h
R1742 (6CEh)	OUT5RMIX_Input_4_Source	OUT5RMI X_STS4	0	0	0	0	0	0	0	OUT5RMIX_SRC4 [7:0]								0000h
R1743 (6CFh)	OUT5RMIX_Input_4_Volume	0	0	0	0	0	0	0	0	OUT5RMIX_VOL4 [6:0]							0	0080h
R1792 (700h)	AIF1TX1MIX_Input_1_Source	AIF1TX1MI X_STS1	0	0	0	0	0	0	0	AIF1TX1MIX_SRC1 [7:0]								0000h
R1793 (701h)	AIF1TX1MIX_Input_1_Volume	0	0	0	0	0	0	0	0	AIF1TX1MIX_VOL1 [6:0]							0	0080h
R1794 (702h)	AIF1TX1MIX_Input_2_Source	AIF1TX1MI X_STS2	0	0	0	0	0	0	0	AIF1TX1MIX_SRC2 [7:0]								0000h
R1795 (703h)	AIF1TX1MIX_Input_2_Volume	0	0	0	0	0	0	0	0	AIF1TX1MIX_VOL2 [6:0]							0	0080h
R1796 (704h)	AIF1TX1MIX_Input_3_Source	AIF1TX1MI X_STS3	0	0	0	0	0	0	0	AIF1TX1MIX_SRC3 [7:0]								0000h
R1797 (705h)	AIF1TX1MIX_Input_3_Volume	0	0	0	0	0	0	0	0	AIF1TX1MIX_VOL3 [6:0]							0	0080h
R1798 (706h)	AIF1TX1MIX_Input_4_Source	AIF1TX1MI X_STS4	0	0	0	0	0	0	0	AIF1TX1MIX_SRC4 [7:0]								0000h
R1799 (707h)	AIF1TX1MIX_Input_4_Volume	0	0	0	0	0	0	0	0	AIF1TX1MIX_VOL4 [6:0]							0	0080h
R1800 (708h)	AIF1TX2MIX_Input_1_Source	AIF1TX2MI X_STS1	0	0	0	0	0	0	0	AIF1TX2MIX_SRC1 [7:0]								0000h
R1801 (709h)	AIF1TX2MIX_Input_1_Volume	0	0	0	0	0	0	0	0	AIF1TX2MIX_VOL1 [6:0]							0	0080h
R1802 (70Ah)	AIF1TX2MIX_Input_2_Source	AIF1TX2MI X_STS2	0	0	0	0	0	0	0	AIF1TX2MIX_SRC2 [7:0]								0000h
R1803 (70Bh)	AIF1TX2MIX_Input_2_Volume	0	0	0	0	0	0	0	0	AIF1TX2MIX_VOL2 [6:0]							0	0080h
R1804 (70Ch)	AIF1TX2MIX_Input_3_Source	AIF1TX2MI X_STS3	0	0	0	0	0	0	0	AIF1TX2MIX_SRC3 [7:0]								0000h
R1805 (70Dh)	AIF1TX2MIX_Input_3_Volume	0	0	0	0	0	0	0	0	AIF1TX2MIX_VOL3 [6:0]							0	0080h
R1806 (70Eh)	AIF1TX2MIX_Input_4_Source	AIF1TX2MI X_STS4	0	0	0	0	0	0	0	AIF1TX2MIX_SRC4 [7:0]								0000h
R1807 (70Fh)	AIF1TX2MIX_Input_4_Volume	0	0	0	0	0	0	0	0	AIF1TX2MIX_VOL4 [6:0]							0	0080h
R1808 (710h)	AIF1TX3MIX_Input_1_Source	AIF1TX3MI X_STS1	0	0	0	0	0	0	0	AIF1TX3MIX_SRC1 [7:0]								0000h
R1809 (711h)	AIF1TX3MIX_Input_1_Volume	0	0	0	0	0	0	0	0	AIF1TX3MIX_VOL1 [6:0]							0	0080h
R1810 (712h)	AIF1TX3MIX_Input_2_Source	AIF1TX3MI X_STS2	0	0	0	0	0	0	0	AIF1TX3MIX_SRC2 [7:0]								0000h
R1811 (713h)	AIF1TX3MIX_Input_2_Volume	0	0	0	0	0	0	0	0	AIF1TX3MIX_VOL2 [6:0]							0	0080h
R1812 (714h)	AIF1TX3MIX_Input_3_Source	AIF1TX3MI X_STS3	0	0	0	0	0	0	0	AIF1TX3MIX_SRC3 [7:0]								0000h
R1813 (715h)	AIF1TX3MIX_Input_3_Volume	0	0	0	0	0	0	0	0	AIF1TX3MIX_VOL3 [6:0]							0	0080h
R1814 (716h)	AIF1TX3MIX_Input_4_Source	AIF1TX3MI X_STS4	0	0	0	0	0	0	0	AIF1TX3MIX_SRC4 [7:0]								0000h
R1815 (717h)	AIF1TX3MIX_Input_4_Volume	0	0	0	0	0	0	0	0	AIF1TX3MIX_VOL4 [6:0]							0	0080h
R1816 (718h)	AIF1TX4MIX_Input_1_Source	AIF1TX4MI X_STS1	0	0	0	0	0	0	0	AIF1TX4MIX_SRC1 [7:0]								0000h
R1817 (719h)	AIF1TX4MIX_Input_1_Volume	0	0	0	0	0	0	0	0	AIF1TX4MIX_VOL1 [6:0]							0	0080h
R1818 (71Ah)	AIF1TX4MIX_Input_2_Source	AIF1TX4MI X_STS2	0	0	0	0	0	0	0	AIF1TX4MIX_SRC2 [7:0]								0000h
R1819 (71Bh)	AIF1TX4MIX_Input_2_Volume	0	0	0	0	0	0	0	0	AIF1TX4MIX_VOL2 [6:0]							0	0080h
R1820 (71Ch)	AIF1TX4MIX_Input_3_Source	AIF1TX4MI X_STS3	0	0	0	0	0	0	0	AIF1TX4MIX_SRC3 [7:0]								0000h
R1821 (71Dh)	AIF1TX4MIX_Input_3_Volume	0	0	0	0	0	0	0	0	AIF1TX4MIX_VOL3 [6:0]							0	0080h

Table 6-1. Register Map Definition—16-bit region (Cont.)

Register	Name	15	14	13	12	11	10	9	8	7	6	5	4	3	2	1	0	Default
R1822 (71Eh)	AIF1TX4MIX_Input_4_Source	AIF1TX4MIX_STS4	0	0	0	0	0	0	0	AIF1TX4MIX_SRC4 [7:0]								0000h
R1823 (71Fh)	AIF1TX4MIX_Input_4_Volume	0	0	0	0	0	0	0	0	AIF1TX4MIX_VOL4 [6:0]						0	0080h	
R1824 (720h)	AIF1TX5MIX_Input_1_Source	AIF1TX5MIX_STS1	0	0	0	0	0	0	0	AIF1TX5MIX_SRC1 [7:0]								0000h
R1825 (721h)	AIF1TX5MIX_Input_1_Volume	0	0	0	0	0	0	0	0	AIF1TX5MIX_VOL1 [6:0]						0	0080h	
R1826 (722h)	AIF1TX5MIX_Input_2_Source	AIF1TX5MIX_STS2	0	0	0	0	0	0	0	AIF1TX5MIX_SRC2 [7:0]								0000h
R1827 (723h)	AIF1TX5MIX_Input_2_Volume	0	0	0	0	0	0	0	0	AIF1TX5MIX_VOL2 [6:0]						0	0080h	
R1828 (724h)	AIF1TX5MIX_Input_3_Source	AIF1TX5MIX_STS3	0	0	0	0	0	0	0	AIF1TX5MIX_SRC3 [7:0]								0000h
R1829 (725h)	AIF1TX5MIX_Input_3_Volume	0	0	0	0	0	0	0	0	AIF1TX5MIX_VOL3 [6:0]						0	0080h	
R1830 (726h)	AIF1TX5MIX_Input_4_Source	AIF1TX5MIX_STS4	0	0	0	0	0	0	0	AIF1TX5MIX_SRC4 [7:0]								0000h
R1831 (727h)	AIF1TX5MIX_Input_4_Volume	0	0	0	0	0	0	0	0	AIF1TX5MIX_VOL4 [6:0]						0	0080h	
R1832 (728h)	AIF1TX6MIX_Input_1_Source	AIF1TX6MIX_STS1	0	0	0	0	0	0	0	AIF1TX6MIX_SRC1 [7:0]								0000h
R1833 (729h)	AIF1TX6MIX_Input_1_Volume	0	0	0	0	0	0	0	0	AIF1TX6MIX_VOL1 [6:0]						0	0080h	
R1834 (72Ah)	AIF1TX6MIX_Input_2_Source	AIF1TX6MIX_STS2	0	0	0	0	0	0	0	AIF1TX6MIX_SRC2 [7:0]								0000h
R1835 (72Bh)	AIF1TX6MIX_Input_2_Volume	0	0	0	0	0	0	0	0	AIF1TX6MIX_VOL2 [6:0]						0	0080h	
R1836 (72Ch)	AIF1TX6MIX_Input_3_Source	AIF1TX6MIX_STS3	0	0	0	0	0	0	0	AIF1TX6MIX_SRC3 [7:0]								0000h
R1837 (72Dh)	AIF1TX6MIX_Input_3_Volume	0	0	0	0	0	0	0	0	AIF1TX6MIX_VOL3 [6:0]						0	0080h	
R1838 (72Eh)	AIF1TX6MIX_Input_4_Source	AIF1TX6MIX_STS4	0	0	0	0	0	0	0	AIF1TX6MIX_SRC4 [7:0]								0000h
R1839 (72Fh)	AIF1TX6MIX_Input_4_Volume	0	0	0	0	0	0	0	0	AIF1TX6MIX_VOL4 [6:0]						0	0080h	
R1840 (730h)	AIF1TX7MIX_Input_1_Source	AIF1TX7MIX_STS1	0	0	0	0	0	0	0	AIF1TX7MIX_SRC1 [7:0]								0000h
R1841 (731h)	AIF1TX7MIX_Input_1_Volume	0	0	0	0	0	0	0	0	AIF1TX7MIX_VOL1 [6:0]						0	0080h	
R1842 (732h)	AIF1TX7MIX_Input_2_Source	AIF1TX7MIX_STS2	0	0	0	0	0	0	0	AIF1TX7MIX_SRC2 [7:0]								0000h
R1843 (733h)	AIF1TX7MIX_Input_2_Volume	0	0	0	0	0	0	0	0	AIF1TX7MIX_VOL2 [6:0]						0	0080h	
R1844 (734h)	AIF1TX7MIX_Input_3_Source	AIF1TX7MIX_STS3	0	0	0	0	0	0	0	AIF1TX7MIX_SRC3 [7:0]								0000h
R1845 (735h)	AIF1TX7MIX_Input_3_Volume	0	0	0	0	0	0	0	0	AIF1TX7MIX_VOL3 [6:0]						0	0080h	
R1846 (736h)	AIF1TX7MIX_Input_4_Source	AIF1TX7MIX_STS4	0	0	0	0	0	0	0	AIF1TX7MIX_SRC4 [7:0]								0000h
R1847 (737h)	AIF1TX7MIX_Input_4_Volume	0	0	0	0	0	0	0	0	AIF1TX7MIX_VOL4 [6:0]						0	0080h	
R1848 (738h)	AIF1TX8MIX_Input_1_Source	AIF1TX8MIX_STS1	0	0	0	0	0	0	0	AIF1TX8MIX_SRC1 [7:0]								0000h
R1849 (739h)	AIF1TX8MIX_Input_1_Volume	0	0	0	0	0	0	0	0	AIF1TX8MIX_VOL1 [6:0]						0	0080h	
R1850 (73Ah)	AIF1TX8MIX_Input_2_Source	AIF1TX8MIX_STS2	0	0	0	0	0	0	0	AIF1TX8MIX_SRC2 [7:0]								0000h
R1851 (73Bh)	AIF1TX8MIX_Input_2_Volume	0	0	0	0	0	0	0	0	AIF1TX8MIX_VOL2 [6:0]						0	0080h	
R1852 (73Ch)	AIF1TX8MIX_Input_3_Source	AIF1TX8MIX_STS3	0	0	0	0	0	0	0	AIF1TX8MIX_SRC3 [7:0]								0000h
R1853 (73Dh)	AIF1TX8MIX_Input_3_Volume	0	0	0	0	0	0	0	0	AIF1TX8MIX_VOL3 [6:0]						0	0080h	
R1854 (73Eh)	AIF1TX8MIX_Input_4_Source	AIF1TX8MIX_STS4	0	0	0	0	0	0	0	AIF1TX8MIX_SRC4 [7:0]								0000h
R1855 (73Fh)	AIF1TX8MIX_Input_4_Volume	0	0	0	0	0	0	0	0	AIF1TX8MIX_VOL4 [6:0]						0	0080h	
R1856 (740h)	AIF2TX1MIX_Input_1_Source	AIF2TX1MIX_STS1	0	0	0	0	0	0	0	AIF2TX1MIX_SRC1 [7:0]								0000h
R1857 (741h)	AIF2TX1MIX_Input_1_Volume	0	0	0	0	0	0	0	0	AIF2TX1MIX_VOL1 [6:0]						0	0080h	
R1858 (742h)	AIF2TX1MIX_Input_2_Source	AIF2TX1MIX_STS2	0	0	0	0	0	0	0	AIF2TX1MIX_SRC2 [7:0]								0000h
R1859 (743h)	AIF2TX1MIX_Input_2_Volume	0	0	0	0	0	0	0	0	AIF2TX1MIX_VOL2 [6:0]						0	0080h	

Table 6-1. Register Map Definition—16-bit region (Cont.)

Register	Name	15	14	13	12	11	10	9	8	7	6	5	4	3	2	1	0	Default
R1860 (744h)	AIF2TX1MIX_Input_3_Source	AIF2TX1MIX_STS3	0	0	0	0	0	0	0	AIF2TX1MIX_SRC3 [7:0]								0000h
R1861 (745h)	AIF2TX1MIX_Input_3_Volume	0	0	0	0	0	0	0	0	AIF2TX1MIX_VOL3 [6:0]						0	0080h	
R1862 (746h)	AIF2TX1MIX_Input_4_Source	AIF2TX1MIX_STS4	0	0	0	0	0	0	0	AIF2TX1MIX_SRC4 [7:0]								0000h
R1863 (747h)	AIF2TX1MIX_Input_4_Volume	0	0	0	0	0	0	0	0	AIF2TX1MIX_VOL4 [6:0]						0	0080h	
R1864 (748h)	AIF2TX2MIX_Input_1_Source	AIF2TX2MIX_STS1	0	0	0	0	0	0	0	AIF2TX2MIX_SRC1 [7:0]								0000h
R1865 (749h)	AIF2TX2MIX_Input_1_Volume	0	0	0	0	0	0	0	0	AIF2TX2MIX_VOL1 [6:0]						0	0080h	
R1866 (74Ah)	AIF2TX2MIX_Input_2_Source	AIF2TX2MIX_STS2	0	0	0	0	0	0	0	AIF2TX2MIX_SRC2 [7:0]								0000h
R1867 (74Bh)	AIF2TX2MIX_Input_2_Volume	0	0	0	0	0	0	0	0	AIF2TX2MIX_VOL2 [6:0]						0	0080h	
R1868 (74Ch)	AIF2TX2MIX_Input_3_Source	AIF2TX2MIX_STS3	0	0	0	0	0	0	0	AIF2TX2MIX_SRC3 [7:0]								0000h
R1869 (74Dh)	AIF2TX2MIX_Input_3_Volume	0	0	0	0	0	0	0	0	AIF2TX2MIX_VOL3 [6:0]						0	0080h	
R1870 (74Eh)	AIF2TX2MIX_Input_4_Source	AIF2TX2MIX_STS4	0	0	0	0	0	0	0	AIF2TX2MIX_SRC4 [7:0]								0000h
R1871 (74Fh)	AIF2TX2MIX_Input_4_Volume	0	0	0	0	0	0	0	0	AIF2TX2MIX_VOL4 [6:0]						0	0080h	
R1872 (750h)	AIF2TX3MIX_Input_1_Source	AIF2TX3MIX_STS1	0	0	0	0	0	0	0	AIF2TX3MIX_SRC1 [7:0]								0000h
R1873 (751h)	AIF2TX3MIX_Input_1_Volume	0	0	0	0	0	0	0	0	AIF2TX3MIX_VOL1 [6:0]						0	0080h	
R1874 (752h)	AIF2TX3MIX_Input_2_Source	AIF2TX3MIX_STS2	0	0	0	0	0	0	0	AIF2TX3MIX_SRC2 [7:0]								0000h
R1875 (753h)	AIF2TX3MIX_Input_2_Volume	0	0	0	0	0	0	0	0	AIF2TX3MIX_VOL2 [6:0]						0	0080h	
R1876 (754h)	AIF2TX3MIX_Input_3_Source	AIF2TX3MIX_STS3	0	0	0	0	0	0	0	AIF2TX3MIX_SRC3 [7:0]								0000h
R1877 (755h)	AIF2TX3MIX_Input_3_Volume	0	0	0	0	0	0	0	0	AIF2TX3MIX_VOL3 [6:0]						0	0080h	
R1878 (756h)	AIF2TX3MIX_Input_4_Source	AIF2TX3MIX_STS4	0	0	0	0	0	0	0	AIF2TX3MIX_SRC4 [7:0]								0000h
R1879 (757h)	AIF2TX3MIX_Input_4_Volume	0	0	0	0	0	0	0	0	AIF2TX3MIX_VOL4 [6:0]						0	0080h	
R1880 (758h)	AIF2TX4MIX_Input_1_Source	AIF2TX4MIX_STS1	0	0	0	0	0	0	0	AIF2TX4MIX_SRC1 [7:0]								0000h
R1881 (759h)	AIF2TX4MIX_Input_1_Volume	0	0	0	0	0	0	0	0	AIF2TX4MIX_VOL1 [6:0]						0	0080h	
R1882 (75Ah)	AIF2TX4MIX_Input_2_Source	AIF2TX4MIX_STS2	0	0	0	0	0	0	0	AIF2TX4MIX_SRC2 [7:0]								0000h
R1883 (75Bh)	AIF2TX4MIX_Input_2_Volume	0	0	0	0	0	0	0	0	AIF2TX4MIX_VOL2 [6:0]						0	0080h	
R1884 (75Ch)	AIF2TX4MIX_Input_3_Source	AIF2TX4MIX_STS3	0	0	0	0	0	0	0	AIF2TX4MIX_SRC3 [7:0]								0000h
R1885 (75Dh)	AIF2TX4MIX_Input_3_Volume	0	0	0	0	0	0	0	0	AIF2TX4MIX_VOL3 [6:0]						0	0080h	
R1886 (75Eh)	AIF2TX4MIX_Input_4_Source	AIF2TX4MIX_STS4	0	0	0	0	0	0	0	AIF2TX4MIX_SRC4 [7:0]								0000h
R1887 (75Fh)	AIF2TX4MIX_Input_4_Volume	0	0	0	0	0	0	0	0	AIF2TX4MIX_VOL4 [6:0]						0	0080h	
R1888 (760h)	AIF2TX5MIX_Input_1_Source	AIF2TX5MIX_STS1	0	0	0	0	0	0	0	AIF2TX5MIX_SRC1 [7:0]								0000h
R1889 (761h)	AIF2TX5MIX_Input_1_Volume	0	0	0	0	0	0	0	0	AIF2TX5MIX_VOL1 [6:0]						0	0080h	
R1890 (762h)	AIF2TX5MIX_Input_2_Source	AIF2TX5MIX_STS2	0	0	0	0	0	0	0	AIF2TX5MIX_SRC2 [7:0]								0000h
R1891 (763h)	AIF2TX5MIX_Input_2_Volume	0	0	0	0	0	0	0	0	AIF2TX5MIX_VOL2 [6:0]						0	0080h	
R1892 (764h)	AIF2TX5MIX_Input_3_Source	AIF2TX5MIX_STS3	0	0	0	0	0	0	0	AIF2TX5MIX_SRC3 [7:0]								0000h
R1893 (765h)	AIF2TX5MIX_Input_3_Volume	0	0	0	0	0	0	0	0	AIF2TX5MIX_VOL3 [6:0]						0	0080h	
R1894 (766h)	AIF2TX5MIX_Input_4_Source	AIF2TX5MIX_STS4	0	0	0	0	0	0	0	AIF2TX5MIX_SRC4 [7:0]								0000h
R1895 (767h)	AIF2TX5MIX_Input_4_Volume	0	0	0	0	0	0	0	0	AIF2TX5MIX_VOL4 [6:0]						0	0080h	
R1896 (768h)	AIF2TX6MIX_Input_1_Source	AIF2TX6MIX_STS1	0	0	0	0	0	0	0	AIF2TX6MIX_SRC1 [7:0]								0000h
R1897 (769h)	AIF2TX6MIX_Input_1_Volume	0	0	0	0	0	0	0	0	AIF2TX6MIX_VOL1 [6:0]						0	0080h	

Table 6-1. Register Map Definition—16-bit region (Cont.)

Register	Name	15	14	13	12	11	10	9	8	7	6	5	4	3	2	1	0	Default
R1898 (76Ah)	AIF2TX6MIX_Input_2_Source	AIF2TX6MIX_STS2	0	0	0	0	0	0	0	AIF2TX6MIX_SRC2 [7:0]								0000h
R1899 (76Bh)	AIF2TX6MIX_Input_2_Volume	0	0	0	0	0	0	0	0	AIF2TX6MIX_VOL2 [6:0]							0	0080h
R1900 (76Ch)	AIF2TX6MIX_Input_3_Source	AIF2TX6MIX_STS3	0	0	0	0	0	0	0	AIF2TX6MIX_SRC3 [7:0]								0000h
R1901 (76Dh)	AIF2TX6MIX_Input_3_Volume	0	0	0	0	0	0	0	0	AIF2TX6MIX_VOL3 [6:0]							0	0080h
R1902 (76Eh)	AIF2TX6MIX_Input_4_Source	AIF2TX6MIX_STS4	0	0	0	0	0	0	0	AIF2TX6MIX_SRC4 [7:0]								0000h
R1903 (76Fh)	AIF2TX6MIX_Input_4_Volume	0	0	0	0	0	0	0	0	AIF2TX6MIX_VOL4 [6:0]							0	0080h
R1904 (770h)	AIF2TX7MIX_Input_1_Source	AIF2TX7MIX_STS1	0	0	0	0	0	0	0	AIF2TX7MIX_SRC1 [7:0]								0000h
R1905 (771h)	AIF2TX7MIX_Input_1_Volume	0	0	0	0	0	0	0	0	AIF2TX7MIX_VOL1 [6:0]							0	0080h
R1906 (772h)	AIF2TX7MIX_Input_2_Source	AIF2TX7MIX_STS2	0	0	0	0	0	0	0	AIF2TX7MIX_SRC2 [7:0]								0000h
R1907 (773h)	AIF2TX7MIX_Input_2_Volume	0	0	0	0	0	0	0	0	AIF2TX7MIX_VOL2 [6:0]							0	0080h
R1908 (774h)	AIF2TX7MIX_Input_3_Source	AIF2TX7MIX_STS3	0	0	0	0	0	0	0	AIF2TX7MIX_SRC3 [7:0]								0000h
R1909 (775h)	AIF2TX7MIX_Input_3_Volume	0	0	0	0	0	0	0	0	AIF2TX7MIX_VOL3 [6:0]							0	0080h
R1910 (776h)	AIF2TX7MIX_Input_4_Source	AIF2TX7MIX_STS4	0	0	0	0	0	0	0	AIF2TX7MIX_SRC4 [7:0]								0000h
R1911 (777h)	AIF2TX7MIX_Input_4_Volume	0	0	0	0	0	0	0	0	AIF2TX7MIX_VOL4 [6:0]							0	0080h
R1912 (778h)	AIF2TX8MIX_Input_1_Source	AIF2TX8MIX_STS1	0	0	0	0	0	0	0	AIF2TX8MIX_SRC1 [7:0]								0000h
R1913 (779h)	AIF2TX8MIX_Input_1_Volume	0	0	0	0	0	0	0	0	AIF2TX8MIX_VOL1 [6:0]							0	0080h
R1914 (77Ah)	AIF2TX8MIX_Input_2_Source	AIF2TX8MIX_STS2	0	0	0	0	0	0	0	AIF2TX8MIX_SRC2 [7:0]								0000h
R1915 (77Bh)	AIF2TX8MIX_Input_2_Volume	0	0	0	0	0	0	0	0	AIF2TX8MIX_VOL2 [6:0]							0	0080h
R1916 (77Ch)	AIF2TX8MIX_Input_3_Source	AIF2TX8MIX_STS3	0	0	0	0	0	0	0	AIF2TX8MIX_SRC3 [7:0]								0000h
R1917 (77Dh)	AIF2TX8MIX_Input_3_Volume	0	0	0	0	0	0	0	0	AIF2TX8MIX_VOL3 [6:0]							0	0080h
R1918 (77Eh)	AIF2TX8MIX_Input_4_Source	AIF2TX8MIX_STS4	0	0	0	0	0	0	0	AIF2TX8MIX_SRC4 [7:0]								0000h
R1919 (77Fh)	AIF2TX8MIX_Input_4_Volume	0	0	0	0	0	0	0	0	AIF2TX8MIX_VOL4 [6:0]							0	0080h
R1920 (780h)	AIF3TX1MIX_Input_1_Source	AIF3TX1MIX_STS1	0	0	0	0	0	0	0	AIF3TX1MIX_SRC1 [7:0]								0000h
R1921 (781h)	AIF3TX1MIX_Input_1_Volume	0	0	0	0	0	0	0	0	AIF3TX1MIX_VOL1 [6:0]							0	0080h
R1922 (782h)	AIF3TX1MIX_Input_2_Source	AIF3TX1MIX_STS2	0	0	0	0	0	0	0	AIF3TX1MIX_SRC2 [7:0]								0000h
R1923 (783h)	AIF3TX1MIX_Input_2_Volume	0	0	0	0	0	0	0	0	AIF3TX1MIX_VOL2 [6:0]							0	0080h
R1924 (784h)	AIF3TX1MIX_Input_3_Source	AIF3TX1MIX_STS3	0	0	0	0	0	0	0	AIF3TX1MIX_SRC3 [7:0]								0000h
R1925 (785h)	AIF3TX1MIX_Input_3_Volume	0	0	0	0	0	0	0	0	AIF3TX1MIX_VOL3 [6:0]							0	0080h
R1926 (786h)	AIF3TX1MIX_Input_4_Source	AIF3TX1MIX_STS4	0	0	0	0	0	0	0	AIF3TX1MIX_SRC4 [7:0]								0000h
R1927 (787h)	AIF3TX1MIX_Input_4_Volume	0	0	0	0	0	0	0	0	AIF3TX1MIX_VOL4 [6:0]							0	0080h
R1928 (788h)	AIF3TX2MIX_Input_1_Source	AIF3TX2MIX_STS1	0	0	0	0	0	0	0	AIF3TX2MIX_SRC1 [7:0]								0000h
R1929 (789h)	AIF3TX2MIX_Input_1_Volume	0	0	0	0	0	0	0	0	AIF3TX2MIX_VOL1 [6:0]							0	0080h
R1930 (78Ah)	AIF3TX2MIX_Input_2_Source	AIF3TX2MIX_STS2	0	0	0	0	0	0	0	AIF3TX2MIX_SRC2 [7:0]								0000h
R1931 (78Bh)	AIF3TX2MIX_Input_2_Volume	0	0	0	0	0	0	0	0	AIF3TX2MIX_VOL2 [6:0]							0	0080h
R1932 (78Ch)	AIF3TX2MIX_Input_3_Source	AIF3TX2MIX_STS3	0	0	0	0	0	0	0	AIF3TX2MIX_SRC3 [7:0]								0000h
R1933 (78Dh)	AIF3TX2MIX_Input_3_Volume	0	0	0	0	0	0	0	0	AIF3TX2MIX_VOL3 [6:0]							0	0080h
R1934 (78Eh)	AIF3TX2MIX_Input_4_Source	AIF3TX2MIX_STS4	0	0	0	0	0	0	0	AIF3TX2MIX_SRC4 [7:0]								0000h
R1935 (78Fh)	AIF3TX2MIX_Input_4_Volume	0	0	0	0	0	0	0	0	AIF3TX2MIX_VOL4 [6:0]							0	0080h

Table 6-1. Register Map Definition—16-bit region (Cont.)

Register	Name	15	14	13	12	11	10	9	8	7	6	5	4	3	2	1	0	Default
R1952 (7A0h)	AIF4TX1MIX_Input_1_Source	AIF4TX1MIX_STS1	0	0	0	0	0	0	0	AIF4TX1MIX_SRC1 [7:0]								0000h
R1953 (7A1h)	AIF4TX1MIX_Input_1_Volume	0	0	0	0	0	0	0	0	AIF4TX1MIX_VOL1 [6:0]							0	0080h
R1954 (7A2h)	AIF4TX1MIX_Input_2_Source	AIF4TX1MIX_STS2	0	0	0	0	0	0	0	AIF4TX1MIX_SRC2 [7:0]								0000h
R1955 (7A3h)	AIF4TX1MIX_Input_2_Volume	0	0	0	0	0	0	0	0	AIF4TX1MIX_VOL2 [6:0]							0	0080h
R1956 (7A4h)	AIF4TX1MIX_Input_3_Source	AIF4TX1MIX_STS3	0	0	0	0	0	0	0	AIF4TX1MIX_SRC3 [7:0]								0000h
R1957 (7A5h)	AIF4TX1MIX_Input_3_Volume	0	0	0	0	0	0	0	0	AIF4TX1MIX_VOL3 [6:0]							0	0080h
R1958 (7A6h)	AIF4TX1MIX_Input_4_Source	AIF4TX1MIX_STS4	0	0	0	0	0	0	0	AIF4TX1MIX_SRC4 [7:0]								0000h
R1959 (7A7h)	AIF4TX1MIX_Input_4_Volume	0	0	0	0	0	0	0	0	AIF4TX1MIX_VOL4 [6:0]							0	0080h
R1960 (7A8h)	AIF4TX2MIX_Input_1_Source	AIF4TX2MIX_STS1	0	0	0	0	0	0	0	AIF4TX2MIX_SRC1 [7:0]								0000h
R1961 (7A9h)	AIF4TX2MIX_Input_1_Volume	0	0	0	0	0	0	0	0	AIF4TX2MIX_VOL1 [6:0]							0	0080h
R1962 (7AAh)	AIF4TX2MIX_Input_2_Source	AIF4TX2MIX_STS2	0	0	0	0	0	0	0	AIF4TX2MIX_SRC2 [7:0]								0000h
R1963 (7ABh)	AIF4TX2MIX_Input_2_Volume	0	0	0	0	0	0	0	0	AIF4TX2MIX_VOL2 [6:0]							0	0080h
R1964 (7ACh)	AIF4TX2MIX_Input_3_Source	AIF4TX2MIX_STS3	0	0	0	0	0	0	0	AIF4TX2MIX_SRC3 [7:0]								0000h
R1965 (7ADh)	AIF4TX2MIX_Input_3_Volume	0	0	0	0	0	0	0	0	AIF4TX2MIX_VOL3 [6:0]							0	0080h
R1966 (7AEh)	AIF4TX2MIX_Input_4_Source	AIF4TX2MIX_STS4	0	0	0	0	0	0	0	AIF4TX2MIX_SRC4 [7:0]								0000h
R1967 (7AFh)	AIF4TX2MIX_Input_4_Volume	0	0	0	0	0	0	0	0	AIF4TX2MIX_VOL4 [6:0]							0	0080h
R1984 (7C0h)	SLIMTX1MIX_Input_1_Source	SLIMTX1MIX_STS1	0	0	0	0	0	0	0	SLIMTX1MIX_SRC1 [7:0]								0000h
R1985 (7C1h)	SLIMTX1MIX_Input_1_Volume	0	0	0	0	0	0	0	0	SLIMTX1MIX_VOL1 [6:0]							0	0080h
R1986 (7C2h)	SLIMTX1MIX_Input_2_Source	SLIMTX1MIX_STS2	0	0	0	0	0	0	0	SLIMTX1MIX_SRC2 [7:0]								0000h
R1987 (7C3h)	SLIMTX1MIX_Input_2_Volume	0	0	0	0	0	0	0	0	SLIMTX1MIX_VOL2 [6:0]							0	0080h
R1988 (7C4h)	SLIMTX1MIX_Input_3_Source	SLIMTX1MIX_STS3	0	0	0	0	0	0	0	SLIMTX1MIX_SRC3 [7:0]								0000h
R1989 (7C5h)	SLIMTX1MIX_Input_3_Volume	0	0	0	0	0	0	0	0	SLIMTX1MIX_VOL3 [6:0]							0	0080h
R1990 (7C6h)	SLIMTX1MIX_Input_4_Source	SLIMTX1MIX_STS4	0	0	0	0	0	0	0	SLIMTX1MIX_SRC4 [7:0]								0000h
R1991 (7C7h)	SLIMTX1MIX_Input_4_Volume	0	0	0	0	0	0	0	0	SLIMTX1MIX_VOL4 [6:0]							0	0080h
R1992 (7C8h)	SLIMTX2MIX_Input_1_Source	SLIMTX2MIX_STS1	0	0	0	0	0	0	0	SLIMTX2MIX_SRC1 [7:0]								0000h
R1993 (7C9h)	SLIMTX2MIX_Input_1_Volume	0	0	0	0	0	0	0	0	SLIMTX2MIX_VOL1 [6:0]							0	0080h
R1994 (7CAh)	SLIMTX2MIX_Input_2_Source	SLIMTX2MIX_STS2	0	0	0	0	0	0	0	SLIMTX2MIX_SRC2 [7:0]								0000h
R1995 (7CBh)	SLIMTX2MIX_Input_2_Volume	0	0	0	0	0	0	0	0	SLIMTX2MIX_VOL2 [6:0]							0	0080h
R1996 (7CCh)	SLIMTX2MIX_Input_3_Source	SLIMTX2MIX_STS3	0	0	0	0	0	0	0	SLIMTX2MIX_SRC3 [7:0]								0000h
R1997 (7CDh)	SLIMTX2MIX_Input_3_Volume	0	0	0	0	0	0	0	0	SLIMTX2MIX_VOL3 [6:0]							0	0080h
R1998 (7CEh)	SLIMTX2MIX_Input_4_Source	SLIMTX2MIX_STS4	0	0	0	0	0	0	0	SLIMTX2MIX_SRC4 [7:0]								0000h
R1999 (7CFh)	SLIMTX2MIX_Input_4_Volume	0	0	0	0	0	0	0	0	SLIMTX2MIX_VOL4 [6:0]							0	0080h
R2000 (7D0h)	SLIMTX3MIX_Input_1_Source	SLIMTX3MIX_STS1	0	0	0	0	0	0	0	SLIMTX3MIX_SRC1 [7:0]								0000h
R2001 (7D1h)	SLIMTX3MIX_Input_1_Volume	0	0	0	0	0	0	0	0	SLIMTX3MIX_VOL1 [6:0]							0	0080h
R2002 (7D2h)	SLIMTX3MIX_Input_2_Source	SLIMTX3MIX_STS2	0	0	0	0	0	0	0	SLIMTX3MIX_SRC2 [7:0]								0000h
R2003 (7D3h)	SLIMTX3MIX_Input_2_Volume	0	0	0	0	0	0	0	0	SLIMTX3MIX_VOL2 [6:0]							0	0080h
R2004 (7D4h)	SLIMTX3MIX_Input_3_Source	SLIMTX3MIX_STS3	0	0	0	0	0	0	0	SLIMTX3MIX_SRC3 [7:0]								0000h
R2005 (7D5h)	SLIMTX3MIX_Input_3_Volume	0	0	0	0	0	0	0	0	SLIMTX3MIX_VOL3 [6:0]							0	0080h

Table 6-1. Register Map Definition—16-bit region (Cont.)

Register	Name	15	14	13	12	11	10	9	8	7	6	5	4	3	2	1	0	Default
R2006 (7D6h)	SLIMTX3MIX_Input_4_Source	SLIMTX3MIX_STS4	0	0	0	0	0	0	0	SLIMTX3MIX_SRC4 [7:0]								0000h
R2007 (7D7h)	SLIMTX3MIX_Input_4_Volume	0	0	0	0	0	0	0	0	SLIMTX3MIX_VOL4 [6:0]							0	0080h
R2008 (7D8h)	SLIMTX4MIX_Input_1_Source	SLIMTX4MIX_STS1	0	0	0	0	0	0	0	SLIMTX4MIX_SRC1 [7:0]								0000h
R2009 (7D9h)	SLIMTX4MIX_Input_1_Volume	0	0	0	0	0	0	0	0	SLIMTX4MIX_VOL1 [6:0]							0	0080h
R2010 (7DAh)	SLIMTX4MIX_Input_2_Source	SLIMTX4MIX_STS2	0	0	0	0	0	0	0	SLIMTX4MIX_SRC2 [7:0]								0000h
R2011 (7DBh)	SLIMTX4MIX_Input_2_Volume	0	0	0	0	0	0	0	0	SLIMTX4MIX_VOL2 [6:0]							0	0080h
R2012 (7DCh)	SLIMTX4MIX_Input_3_Source	SLIMTX4MIX_STS3	0	0	0	0	0	0	0	SLIMTX4MIX_SRC3 [7:0]								0000h
R2013 (7DDh)	SLIMTX4MIX_Input_3_Volume	0	0	0	0	0	0	0	0	SLIMTX4MIX_VOL3 [6:0]							0	0080h
R2014 (7DEh)	SLIMTX4MIX_Input_4_Source	SLIMTX4MIX_STS4	0	0	0	0	0	0	0	SLIMTX4MIX_SRC4 [7:0]								0000h
R2015 (7DFh)	SLIMTX4MIX_Input_4_Volume	0	0	0	0	0	0	0	0	SLIMTX4MIX_VOL4 [6:0]							0	0080h
R2016 (7E0h)	SLIMTX5MIX_Input_1_Source	SLIMTX5MIX_STS1	0	0	0	0	0	0	0	SLIMTX5MIX_SRC1 [7:0]								0000h
R2017 (7E1h)	SLIMTX5MIX_Input_1_Volume	0	0	0	0	0	0	0	0	SLIMTX5MIX_VOL1 [6:0]							0	0080h
R2018 (7E2h)	SLIMTX5MIX_Input_2_Source	SLIMTX5MIX_STS2	0	0	0	0	0	0	0	SLIMTX5MIX_SRC2 [7:0]								0000h
R2019 (7E3h)	SLIMTX5MIX_Input_2_Volume	0	0	0	0	0	0	0	0	SLIMTX5MIX_VOL2 [6:0]							0	0080h
R2020 (7E4h)	SLIMTX5MIX_Input_3_Source	SLIMTX5MIX_STS3	0	0	0	0	0	0	0	SLIMTX5MIX_SRC3 [7:0]								0000h
R2021 (7E5h)	SLIMTX5MIX_Input_3_Volume	0	0	0	0	0	0	0	0	SLIMTX5MIX_VOL3 [6:0]							0	0080h
R2022 (7E6h)	SLIMTX5MIX_Input_4_Source	SLIMTX5MIX_STS4	0	0	0	0	0	0	0	SLIMTX5MIX_SRC4 [7:0]								0000h
R2023 (7E7h)	SLIMTX5MIX_Input_4_Volume	0	0	0	0	0	0	0	0	SLIMTX5MIX_VOL4 [6:0]							0	0080h
R2024 (7E8h)	SLIMTX6MIX_Input_1_Source	SLIMTX6MIX_STS1	0	0	0	0	0	0	0	SLIMTX6MIX_SRC1 [7:0]								0000h
R2025 (7E9h)	SLIMTX6MIX_Input_1_Volume	0	0	0	0	0	0	0	0	SLIMTX6MIX_VOL1 [6:0]							0	0080h
R2026 (7EAh)	SLIMTX6MIX_Input_2_Source	SLIMTX6MIX_STS2	0	0	0	0	0	0	0	SLIMTX6MIX_SRC2 [7:0]								0000h
R2027 (7EBh)	SLIMTX6MIX_Input_2_Volume	0	0	0	0	0	0	0	0	SLIMTX6MIX_VOL2 [6:0]							0	0080h
R2028 (7ECh)	SLIMTX6MIX_Input_3_Source	SLIMTX6MIX_STS3	0	0	0	0	0	0	0	SLIMTX6MIX_SRC3 [7:0]								0000h
R2029 (7EDh)	SLIMTX6MIX_Input_3_Volume	0	0	0	0	0	0	0	0	SLIMTX6MIX_VOL3 [6:0]							0	0080h
R2030 (7EEh)	SLIMTX6MIX_Input_4_Source	SLIMTX6MIX_STS4	0	0	0	0	0	0	0	SLIMTX6MIX_SRC4 [7:0]								0000h
R2031 (7EFh)	SLIMTX6MIX_Input_4_Volume	0	0	0	0	0	0	0	0	SLIMTX6MIX_VOL4 [6:0]							0	0080h
R2032 (7F0h)	SLIMTX7MIX_Input_1_Source	SLIMTX7MIX_STS1	0	0	0	0	0	0	0	SLIMTX7MIX_SRC1 [7:0]								0000h
R2033 (7F1h)	SLIMTX7MIX_Input_1_Volume	0	0	0	0	0	0	0	0	SLIMTX7MIX_VOL1 [6:0]							0	0080h
R2034 (7F2h)	SLIMTX7MIX_Input_2_Source	SLIMTX7MIX_STS2	0	0	0	0	0	0	0	SLIMTX7MIX_SRC2 [7:0]								0000h
R2035 (7F3h)	SLIMTX7MIX_Input_2_Volume	0	0	0	0	0	0	0	0	SLIMTX7MIX_VOL2 [6:0]							0	0080h
R2036 (7F4h)	SLIMTX7MIX_Input_3_Source	SLIMTX7MIX_STS3	0	0	0	0	0	0	0	SLIMTX7MIX_SRC3 [7:0]								0000h
R2037 (7F5h)	SLIMTX7MIX_Input_3_Volume	0	0	0	0	0	0	0	0	SLIMTX7MIX_VOL3 [6:0]							0	0080h
R2038 (7F6h)	SLIMTX7MIX_Input_4_Source	SLIMTX7MIX_STS4	0	0	0	0	0	0	0	SLIMTX7MIX_SRC4 [7:0]								0000h
R2039 (7F7h)	SLIMTX7MIX_Input_4_Volume	0	0	0	0	0	0	0	0	SLIMTX7MIX_VOL4 [6:0]							0	0080h
R2040 (7F8h)	SLIMTX8MIX_Input_1_Source	SLIMTX8MIX_STS1	0	0	0	0	0	0	0	SLIMTX8MIX_SRC1 [7:0]								0000h
R2041 (7F9h)	SLIMTX8MIX_Input_1_Volume	0	0	0	0	0	0	0	0	SLIMTX8MIX_VOL1 [6:0]							0	0080h
R2042 (7FAh)	SLIMTX8MIX_Input_2_Source	SLIMTX8MIX_STS2	0	0	0	0	0	0	0	SLIMTX8MIX_SRC2 [7:0]								0000h
R2043 (7FBh)	SLIMTX8MIX_Input_2_Volume	0	0	0	0	0	0	0	0	SLIMTX8MIX_VOL2 [6:0]							0	0080h

Table 6-1. Register Map Definition—16-bit region (Cont.)

Register	Name	15	14	13	12	11	10	9	8	7	6	5	4	3	2	1	0	Default
R2044 (7FCh)	SLIMTX8MIX_Input_3_Source	SLIMTX8MIX_STS3	0	0	0	0	0	0	0	SLIMTX8MIX_SRC3 [7:0]								0000h
R2045 (7FDh)	SLIMTX8MIX_Input_3_Volume	0	0	0	0	0	0	0	0	SLIMTX8MIX_VOL3 [6:0]						0	0080h	
R2046 (7FEh)	SLIMTX8MIX_Input_4_Source	SLIMTX8MIX_STS4	0	0	0	0	0	0	0	SLIMTX8MIX_SRC4 [7:0]								0000h
R2047 (7FFh)	SLIMTX8MIX_Input_4_Volume	0	0	0	0	0	0	0	0	SLIMTX8MIX_VOL4 [6:0]						0	0080h	
R2048 (800h)	SPDIF1TX1MIX_Input_1_Source	SPDIF1TX1_STS	0	0	0	0	0	0	0	SPDIF1TX1_SRC [7:0]								0000h
R2049 (801h)	SPDIF1TX1MIX_Input_1_Volume	0	0	0	0	0	0	0	0	SPDIF1TX1_VOL [6:0]						0	0080h	
R2056 (808h)	SPDIF1TX2MIX_Input_1_Source	SPDIF1TX2_STS	0	0	0	0	0	0	0	SPDIF1TX2_SRC [7:0]								0000h
R2057 (809h)	SPDIF1TX2MIX_Input_1_Volume	0	0	0	0	0	0	0	0	SPDIF1TX2_VOL [6:0]						0	0080h	
R2176 (880h)	EQ1MIX_Input_1_Source	EQ1MIX_STS1	0	0	0	0	0	0	0	EQ1MIX_SRC1 [7:0]								0000h
R2177 (881h)	EQ1MIX_Input_1_Volume	0	0	0	0	0	0	0	0	EQ1MIX_VOL1 [6:0]						0	0080h	
R2178 (882h)	EQ1MIX_Input_2_Source	EQ1MIX_STS2	0	0	0	0	0	0	0	EQ1MIX_SRC2 [7:0]								0000h
R2179 (883h)	EQ1MIX_Input_2_Volume	0	0	0	0	0	0	0	0	EQ1MIX_VOL2 [6:0]						0	0080h	
R2180 (884h)	EQ1MIX_Input_3_Source	EQ1MIX_STS3	0	0	0	0	0	0	0	EQ1MIX_SRC3 [7:0]								0000h
R2181 (885h)	EQ1MIX_Input_3_Volume	0	0	0	0	0	0	0	0	EQ1MIX_VOL3 [6:0]						0	0080h	
R2182 (886h)	EQ1MIX_Input_4_Source	EQ1MIX_STS4	0	0	0	0	0	0	0	EQ1MIX_SRC4 [7:0]								0000h
R2183 (887h)	EQ1MIX_Input_4_Volume	0	0	0	0	0	0	0	0	EQ1MIX_VOL4 [6:0]						0	0080h	
R2184 (888h)	EQ2MIX_Input_1_Source	EQ2MIX_STS1	0	0	0	0	0	0	0	EQ2MIX_SRC1 [7:0]								0000h
R2185 (889h)	EQ2MIX_Input_1_Volume	0	0	0	0	0	0	0	0	EQ2MIX_VOL1 [6:0]						0	0080h	
R2186 (88Ah)	EQ2MIX_Input_2_Source	EQ2MIX_STS2	0	0	0	0	0	0	0	EQ2MIX_SRC2 [7:0]								0000h
R2187 (88Bh)	EQ2MIX_Input_2_Volume	0	0	0	0	0	0	0	0	EQ2MIX_VOL2 [6:0]						0	0080h	
R2188 (88Ch)	EQ2MIX_Input_3_Source	EQ2MIX_STS3	0	0	0	0	0	0	0	EQ2MIX_SRC3 [7:0]								0000h
R2189 (88Dh)	EQ2MIX_Input_3_Volume	0	0	0	0	0	0	0	0	EQ2MIX_VOL3 [6:0]						0	0080h	
R2190 (88Eh)	EQ2MIX_Input_4_Source	EQ2MIX_STS4	0	0	0	0	0	0	0	EQ2MIX_SRC4 [7:0]								0000h
R2191 (88Fh)	EQ2MIX_Input_4_Volume	0	0	0	0	0	0	0	0	EQ2MIX_VOL4 [6:0]						0	0080h	
R2192 (890h)	EQ3MIX_Input_1_Source	EQ3MIX_STS1	0	0	0	0	0	0	0	EQ3MIX_SRC1 [7:0]								0000h
R2193 (891h)	EQ3MIX_Input_1_Volume	0	0	0	0	0	0	0	0	EQ3MIX_VOL1 [6:0]						0	0080h	
R2194 (892h)	EQ3MIX_Input_2_Source	EQ3MIX_STS2	0	0	0	0	0	0	0	EQ3MIX_SRC2 [7:0]								0000h
R2195 (893h)	EQ3MIX_Input_2_Volume	0	0	0	0	0	0	0	0	EQ3MIX_VOL2 [6:0]						0	0080h	
R2196 (894h)	EQ3MIX_Input_3_Source	EQ3MIX_STS3	0	0	0	0	0	0	0	EQ3MIX_SRC3 [7:0]								0000h
R2197 (895h)	EQ3MIX_Input_3_Volume	0	0	0	0	0	0	0	0	EQ3MIX_VOL3 [6:0]						0	0080h	
R2198 (896h)	EQ3MIX_Input_4_Source	EQ3MIX_STS4	0	0	0	0	0	0	0	EQ3MIX_SRC4 [7:0]								0000h
R2199 (897h)	EQ3MIX_Input_4_Volume	0	0	0	0	0	0	0	0	EQ3MIX_VOL4 [6:0]						0	0080h	
R2200 (898h)	EQ4MIX_Input_1_Source	EQ4MIX_STS1	0	0	0	0	0	0	0	EQ4MIX_SRC1 [7:0]								0000h
R2201 (899h)	EQ4MIX_Input_1_Volume	0	0	0	0	0	0	0	0	EQ4MIX_VOL1 [6:0]						0	0080h	
R2202 (89Ah)	EQ4MIX_Input_2_Source	EQ4MIX_STS2	0	0	0	0	0	0	0	EQ4MIX_SRC2 [7:0]								0000h
R2203 (89Bh)	EQ4MIX_Input_2_Volume	0	0	0	0	0	0	0	0	EQ4MIX_VOL2 [6:0]						0	0080h	
R2204 (89Ch)	EQ4MIX_Input_3_Source	EQ4MIX_STS3	0	0	0	0	0	0	0	EQ4MIX_SRC3 [7:0]								0000h
R2205 (89Dh)	EQ4MIX_Input_3_Volume	0	0	0	0	0	0	0	0	EQ4MIX_VOL3 [6:0]						0	0080h	

Table 6-1. Register Map Definition—16-bit region (Cont.)

Register	Name	15	14	13	12	11	10	9	8	7	6	5	4	3	2	1	0	Default
R2206 (89Eh)	EQ4MIX_Input_4_Source	EQ4MIX_STS4	0	0	0	0	0	0	0	EQ4MIX_SRC4 [7:0]							0000h	
R2207 (89Fh)	EQ4MIX_Input_4_Volume	0	0	0	0	0	0	0	0	EQ4MIX_VOL4 [6:0]						0	0080h	
R2240 (8C0h)	DRC1LMIX_Input_1_Source	DRC1LMIX_STS1	0	0	0	0	0	0	0	DRC1LMIX_SRC1 [7:0]							0000h	
R2241 (8C1h)	DRC1LMIX_Input_1_Volume	0	0	0	0	0	0	0	0	DRC1LMIX_VOL1 [6:0]						0	0080h	
R2242 (8C2h)	DRC1LMIX_Input_2_Source	DRC1LMIX_STS2	0	0	0	0	0	0	0	DRC1LMIX_SRC2 [7:0]							0000h	
R2243 (8C3h)	DRC1LMIX_Input_2_Volume	0	0	0	0	0	0	0	0	DRC1LMIX_VOL2 [6:0]						0	0080h	
R2244 (8C4h)	DRC1LMIX_Input_3_Source	DRC1LMIX_STS3	0	0	0	0	0	0	0	DRC1LMIX_SRC3 [7:0]							0000h	
R2245 (8C5h)	DRC1LMIX_Input_3_Volume	0	0	0	0	0	0	0	0	DRC1LMIX_VOL3 [6:0]						0	0080h	
R2246 (8C6h)	DRC1LMIX_Input_4_Source	DRC1LMIX_STS4	0	0	0	0	0	0	0	DRC1LMIX_SRC4 [7:0]							0000h	
R2247 (8C7h)	DRC1LMIX_Input_4_Volume	0	0	0	0	0	0	0	0	DRC1LMIX_VOL4 [6:0]						0	0080h	
R2248 (8C8h)	DRC1RMIX_Input_1_Source	DRC1RMIX_STS1	0	0	0	0	0	0	0	DRC1RMIX_SRC1 [7:0]							0000h	
R2249 (8C9h)	DRC1RMIX_Input_1_Volume	0	0	0	0	0	0	0	0	DRC1RMIX_VOL1 [6:0]						0	0080h	
R2250 (8CAh)	DRC1RMIX_Input_2_Source	DRC1RMIX_STS2	0	0	0	0	0	0	0	DRC1RMIX_SRC2 [7:0]							0000h	
R2251 (8CBh)	DRC1RMIX_Input_2_Volume	0	0	0	0	0	0	0	0	DRC1RMIX_VOL2 [6:0]						0	0080h	
R2252 (8CCh)	DRC1RMIX_Input_3_Source	DRC1RMIX_STS3	0	0	0	0	0	0	0	DRC1RMIX_SRC3 [7:0]							0000h	
R2253 (8CDh)	DRC1RMIX_Input_3_Volume	0	0	0	0	0	0	0	0	DRC1RMIX_VOL3 [6:0]						0	0080h	
R2254 (8CEh)	DRC1RMIX_Input_4_Source	DRC1RMIX_STS4	0	0	0	0	0	0	0	DRC1RMIX_SRC4 [7:0]							0000h	
R2255 (8CFh)	DRC1RMIX_Input_4_Volume	0	0	0	0	0	0	0	0	DRC1RMIX_VOL4 [6:0]						0	0080h	
R2256 (8D0h)	DRC2LMIX_Input_1_Source	DRC2LMIX_STS1	0	0	0	0	0	0	0	DRC2LMIX_SRC1 [7:0]							0000h	
R2257 (8D1h)	DRC2LMIX_Input_1_Volume	0	0	0	0	0	0	0	0	DRC2LMIX_VOL1 [6:0]						0	0080h	
R2258 (8D2h)	DRC2LMIX_Input_2_Source	DRC2LMIX_STS2	0	0	0	0	0	0	0	DRC2LMIX_SRC2 [7:0]							0000h	
R2259 (8D3h)	DRC2LMIX_Input_2_Volume	0	0	0	0	0	0	0	0	DRC2LMIX_VOL2 [6:0]						0	0080h	
R2260 (8D4h)	DRC2LMIX_Input_3_Source	DRC2LMIX_STS3	0	0	0	0	0	0	0	DRC2LMIX_SRC3 [7:0]							0000h	
R2261 (8D5h)	DRC2LMIX_Input_3_Volume	0	0	0	0	0	0	0	0	DRC2LMIX_VOL3 [6:0]						0	0080h	
R2262 (8D6h)	DRC2LMIX_Input_4_Source	DRC2LMIX_STS4	0	0	0	0	0	0	0	DRC2LMIX_SRC4 [7:0]							0000h	
R2263 (8D7h)	DRC2LMIX_Input_4_Volume	0	0	0	0	0	0	0	0	DRC2LMIX_VOL4 [6:0]						0	0080h	
R2264 (8D8h)	DRC2RMIX_Input_1_Source	DRC2RMIX_STS1	0	0	0	0	0	0	0	DRC2RMIX_SRC1 [7:0]							0000h	
R2265 (8D9h)	DRC2RMIX_Input_1_Volume	0	0	0	0	0	0	0	0	DRC2RMIX_VOL1 [6:0]						0	0080h	
R2266 (8DAh)	DRC2RMIX_Input_2_Source	DRC2RMIX_STS2	0	0	0	0	0	0	0	DRC2RMIX_SRC2 [7:0]							0000h	
R2267 (8DBh)	DRC2RMIX_Input_2_Volume	0	0	0	0	0	0	0	0	DRC2RMIX_VOL2 [6:0]						0	0080h	
R2268 (8DCh)	DRC2RMIX_Input_3_Source	DRC2RMIX_STS3	0	0	0	0	0	0	0	DRC2RMIX_SRC3 [7:0]							0000h	
R2269 (8DDh)	DRC2RMIX_Input_3_Volume	0	0	0	0	0	0	0	0	DRC2RMIX_VOL3 [6:0]						0	0080h	
R2270 (8DEh)	DRC2RMIX_Input_4_Source	DRC2RMIX_STS4	0	0	0	0	0	0	0	DRC2RMIX_SRC4 [7:0]							0000h	
R2271 (8DFh)	DRC2RMIX_Input_4_Volume	0	0	0	0	0	0	0	0	DRC2RMIX_VOL4 [6:0]						0	0080h	
R2304 (900h)	HPLP1MIX_Input_1_Source	HPLP1MIX_STS1	0	0	0	0	0	0	0	HPLP1MIX_SRC1 [7:0]							0000h	
R2305 (901h)	HPLP1MIX_Input_1_Volume	0	0	0	0	0	0	0	0	HPLP1MIX_VOL1 [6:0]						0	0080h	
R2306 (902h)	HPLP1MIX_Input_2_Source	HPLP1MIX_STS2	0	0	0	0	0	0	0	HPLP1MIX_SRC2 [7:0]							0000h	
R2307 (903h)	HPLP1MIX_Input_2_Volume	0	0	0	0	0	0	0	0	HPLP1MIX_VOL2 [6:0]						0	0080h	

Table 6-1. Register Map Definition—16-bit region (Cont.)

Register	Name	15	14	13	12	11	10	9	8	7	6	5	4	3	2	1	0	Default
R2308 (904h)	HPLP1MIX_Input_3_Source	LHPF1MIX_STS3	0	0	0	0	0	0	0	LHPF1MIX_SRC3 [7:0]							0000h	
R2309 (905h)	HPLP1MIX_Input_3_Volume	0	0	0	0	0	0	0	0	LHPF1MIX_VOL3 [6:0]						0	0080h	
R2310 (906h)	HPLP1MIX_Input_4_Source	LHPF1MIX_STS4	0	0	0	0	0	0	0	LHPF1MIX_SRC4 [7:0]							0000h	
R2311 (907h)	HPLP1MIX_Input_4_Volume	0	0	0	0	0	0	0	0	LHPF1MIX_VOL4 [6:0]						0	0080h	
R2312 (908h)	HPLP2MIX_Input_1_Source	LHPF2MIX_STS1	0	0	0	0	0	0	0	LHPF2MIX_SRC1 [7:0]							0000h	
R2313 (909h)	HPLP2MIX_Input_1_Volume	0	0	0	0	0	0	0	0	LHPF2MIX_VOL1 [6:0]						0	0080h	
R2314 (90Ah)	HPLP2MIX_Input_2_Source	LHPF2MIX_STS2	0	0	0	0	0	0	0	LHPF2MIX_SRC2 [7:0]							0000h	
R2315 (90Bh)	HPLP2MIX_Input_2_Volume	0	0	0	0	0	0	0	0	LHPF2MIX_VOL2 [6:0]						0	0080h	
R2316 (90Ch)	HPLP2MIX_Input_3_Source	LHPF2MIX_STS3	0	0	0	0	0	0	0	LHPF2MIX_SRC3 [7:0]							0000h	
R2317 (90Dh)	HPLP2MIX_Input_3_Volume	0	0	0	0	0	0	0	0	LHPF2MIX_VOL3 [6:0]						0	0080h	
R2318 (90Eh)	HPLP2MIX_Input_4_Source	LHPF2MIX_STS4	0	0	0	0	0	0	0	LHPF2MIX_SRC4 [7:0]							0000h	
R2319 (90Fh)	HPLP2MIX_Input_4_Volume	0	0	0	0	0	0	0	0	LHPF2MIX_VOL4 [6:0]						0	0080h	
R2320 (910h)	HPLP3MIX_Input_1_Source	LHPF3MIX_STS1	0	0	0	0	0	0	0	LHPF3MIX_SRC1 [7:0]							0000h	
R2321 (911h)	HPLP3MIX_Input_1_Volume	0	0	0	0	0	0	0	0	LHPF3MIX_VOL1 [6:0]						0	0080h	
R2322 (912h)	HPLP3MIX_Input_2_Source	LHPF3MIX_STS2	0	0	0	0	0	0	0	LHPF3MIX_SRC2 [7:0]							0000h	
R2323 (913h)	HPLP3MIX_Input_2_Volume	0	0	0	0	0	0	0	0	LHPF3MIX_VOL2 [6:0]						0	0080h	
R2324 (914h)	HPLP3MIX_Input_3_Source	LHPF3MIX_STS3	0	0	0	0	0	0	0	LHPF3MIX_SRC3 [7:0]							0000h	
R2325 (915h)	HPLP3MIX_Input_3_Volume	0	0	0	0	0	0	0	0	LHPF3MIX_VOL3 [6:0]						0	0080h	
R2326 (916h)	HPLP3MIX_Input_4_Source	LHPF3MIX_STS4	0	0	0	0	0	0	0	LHPF3MIX_SRC4 [7:0]							0000h	
R2327 (917h)	HPLP3MIX_Input_4_Volume	0	0	0	0	0	0	0	0	LHPF3MIX_VOL4 [6:0]						0	0080h	
R2328 (918h)	HPLP4MIX_Input_1_Source	LHPF4MIX_STS1	0	0	0	0	0	0	0	LHPF4MIX_SRC1 [7:0]							0000h	
R2329 (919h)	HPLP4MIX_Input_1_Volume	0	0	0	0	0	0	0	0	LHPF4MIX_VOL1 [6:0]						0	0080h	
R2330 (91Ah)	HPLP4MIX_Input_2_Source	LHPF4MIX_STS2	0	0	0	0	0	0	0	LHPF4MIX_SRC2 [7:0]							0000h	
R2331 (91Bh)	HPLP4MIX_Input_2_Volume	0	0	0	0	0	0	0	0	LHPF4MIX_VOL2 [6:0]						0	0080h	
R2332 (91Ch)	HPLP4MIX_Input_3_Source	LHPF4MIX_STS3	0	0	0	0	0	0	0	LHPF4MIX_SRC3 [7:0]							0000h	
R2333 (91Dh)	HPLP4MIX_Input_3_Volume	0	0	0	0	0	0	0	0	LHPF4MIX_VOL3 [6:0]						0	0080h	
R2334 (91Eh)	HPLP4MIX_Input_4_Source	LHPF4MIX_STS4	0	0	0	0	0	0	0	LHPF4MIX_SRC4 [7:0]							0000h	
R2335 (91Fh)	HPLP4MIX_Input_4_Volume	0	0	0	0	0	0	0	0	LHPF4MIX_VOL4 [6:0]						0	0080h	
R2368 (940h)	DSP1LMIX_Input_1_Source	DSP1LMIX_STS1	0	0	0	0	0	0	0	DSP1LMIX_SRC1 [7:0]							0000h	
R2369 (941h)	DSP1LMIX_Input_1_Volume	0	0	0	0	0	0	0	0	DSP1LMIX_VOL1 [6:0]						0	0080h	
R2370 (942h)	DSP1LMIX_Input_2_Source	DSP1LMIX_STS2	0	0	0	0	0	0	0	DSP1LMIX_SRC2 [7:0]							0000h	
R2371 (943h)	DSP1LMIX_Input_2_Volume	0	0	0	0	0	0	0	0	DSP1LMIX_VOL2 [6:0]						0	0080h	
R2372 (944h)	DSP1LMIX_Input_3_Source	DSP1LMIX_STS3	0	0	0	0	0	0	0	DSP1LMIX_SRC3 [7:0]							0000h	
R2373 (945h)	DSP1LMIX_Input_3_Volume	0	0	0	0	0	0	0	0	DSP1LMIX_VOL3 [6:0]						0	0080h	
R2374 (946h)	DSP1LMIX_Input_4_Source	DSP1LMIX_STS4	0	0	0	0	0	0	0	DSP1LMIX_SRC4 [7:0]							0000h	
R2375 (947h)	DSP1LMIX_Input_4_Volume	0	0	0	0	0	0	0	0	DSP1LMIX_VOL4 [6:0]						0	0080h	
R2376 (948h)	DSP1RMIX_Input_1_Source	DSP1RMIX_STS1	0	0	0	0	0	0	0	DSP1RMIX_SRC1 [7:0]							0000h	
R2377 (949h)	DSP1RMIX_Input_1_Volume	0	0	0	0	0	0	0	0	DSP1RMIX_VOL1 [6:0]						0	0080h	

Table 6-1. Register Map Definition—16-bit region (Cont.)

Register	Name	15	14	13	12	11	10	9	8	7	6	5	4	3	2	1	0	Default
R2378 (94Ah)	DSP1RMIX_Input_2_Source	DSP1RMI_X_STS2	0	0	0	0	0	0	0	DSP1RMIX_SRC2 [7:0]								0000h
R2379 (94Bh)	DSP1RMIX_Input_2_Volume	0	0	0	0	0	0	0	0	DSP1RMIX_VOL2 [6:0]							0	0080h
R2380 (94Ch)	DSP1RMIX_Input_3_Source	DSP1RMI_X_STS3	0	0	0	0	0	0	0	DSP1RMIX_SRC3 [7:0]								0000h
R2381 (94Dh)	DSP1RMIX_Input_3_Volume	0	0	0	0	0	0	0	0	DSP1RMIX_VOL3 [6:0]							0	0080h
R2382 (94Eh)	DSP1RMIX_Input_4_Source	DSP1RMI_X_STS4	0	0	0	0	0	0	0	DSP1RMIX_SRC4 [7:0]								0000h
R2383 (94Fh)	DSP1RMIX_Input_4_Volume	0	0	0	0	0	0	0	0	DSP1RMIX_VOL4 [6:0]							0	0080h
R2384 (950h)	DSP1AUX1MIX_Input_1_Source	DSP1AUX_1_STS	0	0	0	0	0	0	0	DSP1AUX1_SRC [7:0]								0000h
R2392 (958h)	DSP1AUX2MIX_Input_1_Source	DSP1AUX_2_STS	0	0	0	0	0	0	0	DSP1AUX2_SRC [7:0]								0000h
R2400 (960h)	DSP1AUX3MIX_Input_1_Source	DSP1AUX_3_STS	0	0	0	0	0	0	0	DSP1AUX3_SRC [7:0]								0000h
R2408 (968h)	DSP1AUX4MIX_Input_1_Source	DSP1AUX_4_STS	0	0	0	0	0	0	0	DSP1AUX4_SRC [7:0]								0000h
R2416 (970h)	DSP1AUX5MIX_Input_1_Source	DSP1AUX_5_STS	0	0	0	0	0	0	0	DSP1AUX5_SRC [7:0]								0000h
R2424 (978h)	DSP1AUX6MIX_Input_1_Source	DSP1AUX_6_STS	0	0	0	0	0	0	0	DSP1AUX6_SRC [7:0]								0000h
R2432 (980h)	DSP2LMIX_Input_1_Source	DSP2LMIX_STS1	0	0	0	0	0	0	0	DSP2LMIX_SRC1 [7:0]								0000h
R2433 (981h)	DSP2LMIX_Input_1_Volume	0	0	0	0	0	0	0	0	DSP2LMIX_VOL1 [6:0]							0	0080h
R2434 (982h)	DSP2LMIX_Input_2_Source	DSP2LMIX_STS2	0	0	0	0	0	0	0	DSP2LMIX_SRC2 [7:0]								0000h
R2435 (983h)	DSP2LMIX_Input_2_Volume	0	0	0	0	0	0	0	0	DSP2LMIX_VOL2 [6:0]							0	0080h
R2436 (984h)	DSP2LMIX_Input_3_Source	DSP2LMIX_STS3	0	0	0	0	0	0	0	DSP2LMIX_SRC3 [7:0]								0000h
R2437 (985h)	DSP2LMIX_Input_3_Volume	0	0	0	0	0	0	0	0	DSP2LMIX_VOL3 [6:0]							0	0080h
R2438 (986h)	DSP2LMIX_Input_4_Source	DSP2LMIX_STS4	0	0	0	0	0	0	0	DSP2LMIX_SRC4 [7:0]								0000h
R2439 (987h)	DSP2LMIX_Input_4_Volume	0	0	0	0	0	0	0	0	DSP2LMIX_VOL4 [6:0]							0	0080h
R2440 (988h)	DSP2RMIX_Input_1_Source	DSP2RMI_X_STS1	0	0	0	0	0	0	0	DSP2RMIX_SRC1 [7:0]								0000h
R2441 (989h)	DSP2RMIX_Input_1_Volume	0	0	0	0	0	0	0	0	DSP2RMIX_VOL1 [6:0]							0	0080h
R2442 (98Ah)	DSP2RMIX_Input_2_Source	DSP2RMI_X_STS2	0	0	0	0	0	0	0	DSP2RMIX_SRC2 [7:0]								0000h
R2443 (98Bh)	DSP2RMIX_Input_2_Volume	0	0	0	0	0	0	0	0	DSP2RMIX_VOL2 [6:0]							0	0080h
R2444 (98Ch)	DSP2RMIX_Input_3_Source	DSP2RMI_X_STS3	0	0	0	0	0	0	0	DSP2RMIX_SRC3 [7:0]								0000h
R2445 (98Dh)	DSP2RMIX_Input_3_Volume	0	0	0	0	0	0	0	0	DSP2RMIX_VOL3 [6:0]							0	0080h
R2446 (98Eh)	DSP2RMIX_Input_4_Source	DSP2RMI_X_STS4	0	0	0	0	0	0	0	DSP2RMIX_SRC4 [7:0]								0000h
R2447 (98Fh)	DSP2RMIX_Input_4_Volume	0	0	0	0	0	0	0	0	DSP2RMIX_VOL4 [6:0]							0	0080h
R2448 (990h)	DSP2AUX1MIX_Input_1_Source	DSP2AUX_1_STS	0	0	0	0	0	0	0	DSP2AUX1_SRC [7:0]								0000h
R2456 (998h)	DSP2AUX2MIX_Input_1_Source	DSP2AUX_2_STS	0	0	0	0	0	0	0	DSP2AUX2_SRC [7:0]								0000h
R2464 (9A0h)	DSP2AUX3MIX_Input_1_Source	DSP2AUX_3_STS	0	0	0	0	0	0	0	DSP2AUX3_SRC [7:0]								0000h
R2472 (9A8h)	DSP2AUX4MIX_Input_1_Source	DSP2AUX_4_STS	0	0	0	0	0	0	0	DSP2AUX4_SRC [7:0]								0000h
R2480 (9B0h)	DSP2AUX5MIX_Input_1_Source	DSP2AUX_5_STS	0	0	0	0	0	0	0	DSP2AUX5_SRC [7:0]								0000h
R2488 (9B8h)	DSP2AUX6MIX_Input_1_Source	DSP2AUX_6_STS	0	0	0	0	0	0	0	DSP2AUX6_SRC [7:0]								0000h
R2496 (9C0h)	DSP3LMIX_Input_1_Source	DSP3LMIX_STS1	0	0	0	0	0	0	0	DSP3LMIX_SRC1 [7:0]								0000h
R2497 (9C1h)	DSP3LMIX_Input_1_Volume	0	0	0	0	0	0	0	0	DSP3LMIX_VOL1 [6:0]							0	0080h
R2498 (9C2h)	DSP3LMIX_Input_2_Source	DSP3LMIX_STS2	0	0	0	0	0	0	0	DSP3LMIX_SRC2 [7:0]								0000h
R2499 (9C3h)	DSP3LMIX_Input_2_Volume	0	0	0	0	0	0	0	0	DSP3LMIX_VOL2 [6:0]							0	0080h

Table 6-1. Register Map Definition—16-bit region (Cont.)

Register	Name	15	14	13	12	11	10	9	8	7	6	5	4	3	2	1	0	Default
R2500 (9C4h)	DSP3LMIX_Input_3_Source	DSP3LMIX_STS3	0	0	0	0	0	0	0	DSP3LMIX_SRC3 [7:0]							0000h	
R2501 (9C5h)	DSP3LMIX_Input_3_Volume	0	0	0	0	0	0	0	0	DSP3LMIX_VOL3 [6:0]						0	0080h	
R2502 (9C6h)	DSP3LMIX_Input_4_Source	DSP3LMIX_STS4	0	0	0	0	0	0	0	DSP3LMIX_SRC4 [7:0]							0000h	
R2503 (9C7h)	DSP3LMIX_Input_4_Volume	0	0	0	0	0	0	0	0	DSP3LMIX_VOL4 [6:0]						0	0080h	
R2504 (9C8h)	DSP3RMIX_Input_1_Source	DSP3RMIX_STS1	0	0	0	0	0	0	0	DSP3RMIX_SRC1 [7:0]							0000h	
R2505 (9C9h)	DSP3RMIX_Input_1_Volume	0	0	0	0	0	0	0	0	DSP3RMIX_VOL1 [6:0]						0	0080h	
R2506 (9CAh)	DSP3RMIX_Input_2_Source	DSP3RMIX_STS2	0	0	0	0	0	0	0	DSP3RMIX_SRC2 [7:0]							0000h	
R2507 (9CBh)	DSP3RMIX_Input_2_Volume	0	0	0	0	0	0	0	0	DSP3RMIX_VOL2 [6:0]						0	0080h	
R2508 (9CCh)	DSP3RMIX_Input_3_Source	DSP3RMIX_STS3	0	0	0	0	0	0	0	DSP3RMIX_SRC3 [7:0]							0000h	
R2509 (9CDh)	DSP3RMIX_Input_3_Volume	0	0	0	0	0	0	0	0	DSP3RMIX_VOL3 [6:0]						0	0080h	
R2510 (9CEh)	DSP3RMIX_Input_4_Source	DSP3RMIX_STS4	0	0	0	0	0	0	0	DSP3RMIX_SRC4 [7:0]							0000h	
R2511 (9CFh)	DSP3RMIX_Input_4_Volume	0	0	0	0	0	0	0	0	DSP3RMIX_VOL4 [6:0]						0	0080h	
R2512 (9D0h)	DSP3AUX1MIX_Input_1_Source	DSP3AUX1_STS	0	0	0	0	0	0	0	DSP3AUX1_SRC [7:0]							0000h	
R2520 (9D8h)	DSP3AUX2MIX_Input_1_Source	DSP3AUX2_STS	0	0	0	0	0	0	0	DSP3AUX2_SRC [7:0]							0000h	
R2528 (9E0h)	DSP3AUX3MIX_Input_1_Source	DSP3AUX3_STS	0	0	0	0	0	0	0	DSP3AUX3_SRC [7:0]							0000h	
R2536 (9E8h)	DSP3AUX4MIX_Input_1_Source	DSP3AUX4_STS	0	0	0	0	0	0	0	DSP3AUX4_SRC [7:0]							0000h	
R2544 (9F0h)	DSP3AUX5MIX_Input_1_Source	DSP3AUX5_STS	0	0	0	0	0	0	0	DSP3AUX5_SRC [7:0]							0000h	
R2552 (9F8h)	DSP3AUX6MIX_Input_1_Source	DSP3AUX6_STS	0	0	0	0	0	0	0	DSP3AUX6_SRC [7:0]							0000h	
R2560 (A00h)	DSP4LMIX_Input_1_Source	DSP4LMIX_STS1	0	0	0	0	0	0	0	DSP4LMIX_SRC1 [7:0]							0000h	
R2561 (A01h)	DSP4LMIX_Input_1_Volume	0	0	0	0	0	0	0	0	DSP4LMIX_VOL1 [6:0]						0	0080h	
R2562 (A02h)	DSP4LMIX_Input_2_Source	DSP4LMIX_STS2	0	0	0	0	0	0	0	DSP4LMIX_SRC2 [7:0]							0000h	
R2563 (A03h)	DSP4LMIX_Input_2_Volume	0	0	0	0	0	0	0	0	DSP4LMIX_VOL2 [6:0]						0	0080h	
R2564 (A04h)	DSP4LMIX_Input_3_Source	DSP4LMIX_STS3	0	0	0	0	0	0	0	DSP4LMIX_SRC3 [7:0]							0000h	
R2565 (A05h)	DSP4LMIX_Input_3_Volume	0	0	0	0	0	0	0	0	DSP4LMIX_VOL3 [6:0]						0	0080h	
R2566 (A06h)	DSP4LMIX_Input_4_Source	DSP4LMIX_STS4	0	0	0	0	0	0	0	DSP4LMIX_SRC4 [7:0]							0000h	
R2567 (A07h)	DSP4LMIX_Input_4_Volume	0	0	0	0	0	0	0	0	DSP4LMIX_VOL4 [6:0]						0	0080h	
R2568 (A08h)	DSP4RMIX_Input_1_Source	DSP4RMIX_STS1	0	0	0	0	0	0	0	DSP4RMIX_SRC1 [7:0]							0000h	
R2569 (A09h)	DSP4RMIX_Input_1_Volume	0	0	0	0	0	0	0	0	DSP4RMIX_VOL1 [6:0]						0	0080h	
R2570 (A0Ah)	DSP4RMIX_Input_2_Source	DSP4RMIX_STS2	0	0	0	0	0	0	0	DSP4RMIX_SRC2 [7:0]							0000h	
R2571 (A0Bh)	DSP4RMIX_Input_2_Volume	0	0	0	0	0	0	0	0	DSP4RMIX_VOL2 [6:0]						0	0080h	
R2572 (A0Ch)	DSP4RMIX_Input_3_Source	DSP4RMIX_STS3	0	0	0	0	0	0	0	DSP4RMIX_SRC3 [7:0]							0000h	
R2573 (A0Dh)	DSP4RMIX_Input_3_Volume	0	0	0	0	0	0	0	0	DSP4RMIX_VOL3 [6:0]						0	0080h	
R2574 (A0Eh)	DSP4RMIX_Input_4_Source	DSP4RMIX_STS4	0	0	0	0	0	0	0	DSP4RMIX_SRC4 [7:0]							0000h	
R2575 (A0Fh)	DSP4RMIX_Input_4_Volume	0	0	0	0	0	0	0	0	DSP4RMIX_VOL4 [6:0]						0	0080h	
R2576 (A10h)	DSP4AUX1MIX_Input_1_Source	DSP4AUX1_STS	0	0	0	0	0	0	0	DSP4AUX1_SRC [7:0]							0000h	
R2584 (A18h)	DSP4AUX2MIX_Input_1_Source	DSP4AUX2_STS	0	0	0	0	0	0	0	DSP4AUX2_SRC [7:0]							0000h	
R2592 (A20h)	DSP4AUX3MIX_Input_1_Source	DSP4AUX3_STS	0	0	0	0	0	0	0	DSP4AUX3_SRC [7:0]							0000h	
R2600 (A28h)	DSP4AUX4MIX_Input_1_Source	DSP4AUX4_STS	0	0	0	0	0	0	0	DSP4AUX4_SRC [7:0]							0000h	

Table 6-1. Register Map Definition—16-bit region (Cont.)

Register	Name	15	14	13	12	11	10	9	8	7	6	5	4	3	2	1	0	Default
R2608 (A30h)	DSP4AUX5MIX_Input_1_Source	DSP4AUX5_STS	0	0	0	0	0	0	0	DSP4AUX5_SRC [7:0]								0000h
R2616 (A38h)	DSP4AUX6MIX_Input_1_Source	DSP4AUX6_STS	0	0	0	0	0	0	0	DSP4AUX6_SRC [7:0]								0000h
R2624 (A40h)	DSP5LMIX_Input_1_Source	DSP5LMIX_STS1	0	0	0	0	0	0	0	DSP5LMIX_SRC1 [7:0]								0000h
R2625 (A41h)	DSP5LMIX_Input_1_Volume	0	0	0	0	0	0	0	0	DSP5LMIX_VOL1 [6:0]						0	0080h	
R2626 (A42h)	DSP5LMIX_Input_2_Source	DSP5LMIX_STS2	0	0	0	0	0	0	0	DSP5LMIX_SRC2 [7:0]								0000h
R2627 (A43h)	DSP5LMIX_Input_2_Volume	0	0	0	0	0	0	0	0	DSP5LMIX_VOL2 [6:0]						0	0080h	
R2628 (A44h)	DSP5LMIX_Input_3_Source	DSP5LMIX_STS3	0	0	0	0	0	0	0	DSP5LMIX_SRC3 [7:0]								0000h
R2629 (A45h)	DSP5LMIX_Input_3_Volume	0	0	0	0	0	0	0	0	DSP5LMIX_VOL3 [6:0]						0	0080h	
R2630 (A46h)	DSP5LMIX_Input_4_Source	DSP5LMIX_STS4	0	0	0	0	0	0	0	DSP5LMIX_SRC4 [7:0]								0000h
R2631 (A47h)	DSP5LMIX_Input_4_Volume	0	0	0	0	0	0	0	0	DSP5LMIX_VOL4 [6:0]						0	0080h	
R2632 (A48h)	DSP5RMIX_Input_1_Source	DSP5RMIX_STS1	0	0	0	0	0	0	0	DSP5RMIX_SRC1 [7:0]								0000h
R2633 (A49h)	DSP5RMIX_Input_1_Volume	0	0	0	0	0	0	0	0	DSP5RMIX_VOL1 [6:0]						0	0080h	
R2634 (A4Ah)	DSP5RMIX_Input_2_Source	DSP5RMIX_STS2	0	0	0	0	0	0	0	DSP5RMIX_SRC2 [7:0]								0000h
R2635 (A4Bh)	DSP5RMIX_Input_2_Volume	0	0	0	0	0	0	0	0	DSP5RMIX_VOL2 [6:0]						0	0080h	
R2636 (A4Ch)	DSP5RMIX_Input_3_Source	DSP5RMIX_STS3	0	0	0	0	0	0	0	DSP5RMIX_SRC3 [7:0]								0000h
R2637 (A4Dh)	DSP5RMIX_Input_3_Volume	0	0	0	0	0	0	0	0	DSP5RMIX_VOL3 [6:0]						0	0080h	
R2638 (A4Eh)	DSP5RMIX_Input_4_Source	DSP5RMIX_STS4	0	0	0	0	0	0	0	DSP5RMIX_SRC4 [7:0]								0000h
R2639 (A4Fh)	DSP5RMIX_Input_4_Volume	0	0	0	0	0	0	0	0	DSP5RMIX_VOL4 [6:0]						0	0080h	
R2640 (A50h)	DSP5AUX1MIX_Input_1_Source	DSP5AUX1_STS	0	0	0	0	0	0	0	DSP5AUX1_SRC [7:0]								0000h
R2648 (A58h)	DSP5AUX2MIX_Input_1_Source	DSP5AUX2_STS	0	0	0	0	0	0	0	DSP5AUX2_SRC [7:0]								0000h
R2656 (A60h)	DSP5AUX3MIX_Input_1_Source	DSP5AUX3_STS	0	0	0	0	0	0	0	DSP5AUX3_SRC [7:0]								0000h
R2664 (A68h)	DSP5AUX4MIX_Input_1_Source	DSP5AUX4_STS	0	0	0	0	0	0	0	DSP5AUX4_SRC [7:0]								0000h
R2672 (A70h)	DSP5AUX5MIX_Input_1_Source	DSP5AUX5_STS	0	0	0	0	0	0	0	DSP5AUX5_SRC [7:0]								0000h
R2680 (A78h)	DSP5AUX6MIX_Input_1_Source	DSP5AUX6_STS	0	0	0	0	0	0	0	DSP5AUX6_SRC [7:0]								0000h
R2688 (A80h)	ASRC1_1LMIX_Input_1_Source	ASRC1_IN1L_STS	0	0	0	0	0	0	0	ASRC1_IN1L_SRC [7:0]								0000h
R2696 (A88h)	ASRC1_1RMIX_Input_1_Source	ASRC1_IN1R_STS	0	0	0	0	0	0	0	ASRC1_IN1R_SRC [7:0]								0000h
R2704 (A90h)	ASRC1_2LMIX_Input_1_Source	ASRC1_IN2L_STS	0	0	0	0	0	0	0	ASRC1_IN2L_SRC [7:0]								0000h
R2712 (A98h)	ASRC1_2RMIX_Input_1_Source	ASRC1_IN2R_STS	0	0	0	0	0	0	0	ASRC1_IN2R_SRC [7:0]								0000h
R2720 (AA0h)	ASRC2_1LMIX_Input_1_Source	ASRC2_IN1L_STS	0	0	0	0	0	0	0	ASRC2_IN1L_SRC [7:0]								0000h
R2728 (AA8h)	ASRC2_1RMIX_Input_1_Source	ASRC2_IN1R_STS	0	0	0	0	0	0	0	ASRC2_IN1R_SRC [7:0]								0000h
R2736 (AB0h)	ASRC2_2LMIX_Input_1_Source	ASRC2_IN2L_STS	0	0	0	0	0	0	0	ASRC2_IN2L_SRC [7:0]								0000h
R2744 (AB8h)	ASRC2_2RMIX_Input_1_Source	ASRC2_IN2R_STS	0	0	0	0	0	0	0	ASRC2_IN2R_SRC [7:0]								0000h
R2816 (B00h)	ISRC1DEC1MIX_Input_1_Source	ISRC1DEC1_STS	0	0	0	0	0	0	0	ISRC1DEC1_SRC [7:0]								0000h
R2824 (B08h)	ISRC1DEC2MIX_Input_1_Source	ISRC1DEC2_STS	0	0	0	0	0	0	0	ISRC1DEC2_SRC [7:0]								0000h
R2832 (B10h)	ISRC1DEC3MIX_Input_1_Source	ISRC1DEC3_STS	0	0	0	0	0	0	0	ISRC1DEC3_SRC [7:0]								0000h
R2840 (B18h)	ISRC1DEC4MIX_Input_1_Source	ISRC1DEC4_STS	0	0	0	0	0	0	0	ISRC1DEC4_SRC [7:0]								0000h
R2848 (B20h)	ISRC1INT1MIX_Input_1_Source	ISRC1INT1_STS	0	0	0	0	0	0	0	ISRC1INT1_SRC [7:0]								0000h
R2856 (B28h)	ISRC1INT2MIX_Input_1_Source	ISRC1INT2_STS	0	0	0	0	0	0	0	ISRC1INT2_SRC [7:0]								0000h

Table 6-1. Register Map Definition—16-bit region (Cont.)

Register	Name	15	14	13	12	11	10	9	8	7	6	5	4	3	2	1	0	Default
R2864 (B30h)	ISRC1INT3MIX_Input_1_Source	ISRC1INT3_STS	0	0	0	0	0	0	0	ISRC1INT3_SRC [7:0]							0000h	
R2872 (B38h)	ISRC1INT4MIX_Input_1_Source	ISRC1INT4_STS	0	0	0	0	0	0	0	ISRC1INT4_SRC [7:0]							0000h	
R2880 (B40h)	ISRC2DEC1MIX_Input_1_Source	ISRC2DEC1_STS	0	0	0	0	0	0	0	ISRC2DEC1_SRC [7:0]							0000h	
R2888 (B48h)	ISRC2DEC2MIX_Input_1_Source	ISRC2DEC2_STS	0	0	0	0	0	0	0	ISRC2DEC2_SRC [7:0]							0000h	
R2896 (B50h)	ISRC2DEC3MIX_Input_1_Source	ISRC2DEC3_STS	0	0	0	0	0	0	0	ISRC2DEC3_SRC [7:0]							0000h	
R2904 (B58h)	ISRC2DEC4MIX_Input_1_Source	ISRC2DEC4_STS	0	0	0	0	0	0	0	ISRC2DEC4_SRC [7:0]							0000h	
R2912 (B60h)	ISRC2INT1MIX_Input_1_Source	ISRC2INT1_STS	0	0	0	0	0	0	0	ISRC2INT1_SRC [7:0]							0000h	
R2920 (B68h)	ISRC2INT2MIX_Input_1_Source	ISRC2INT2_STS	0	0	0	0	0	0	0	ISRC2INT2_SRC [7:0]							0000h	
R2928 (B70h)	ISRC2INT3MIX_Input_1_Source	ISRC2INT3_STS	0	0	0	0	0	0	0	ISRC2INT3_SRC [7:0]							0000h	
R2936 (B78h)	ISRC2INT4MIX_Input_1_Source	ISRC2INT4_STS	0	0	0	0	0	0	0	ISRC2INT4_SRC [7:0]							0000h	
R2944 (B80h)	ISRC3DEC1MIX_Input_1_Source	ISRC3DEC1_STS	0	0	0	0	0	0	0	ISRC3DEC1_SRC [7:0]							0000h	
R2952 (B88h)	ISRC3DEC2MIX_Input_1_Source	ISRC3DEC2_STS	0	0	0	0	0	0	0	ISRC3DEC2_SRC [7:0]							0000h	
R2976 (BA0h)	ISRC3INT1MIX_Input_1_Source	ISRC3INT1_STS	0	0	0	0	0	0	0	ISRC3INT1_SRC [7:0]							0000h	
R2984 (BA8h)	ISRC3INT2MIX_Input_1_Source	ISRC3INT2_STS	0	0	0	0	0	0	0	ISRC3INT2_SRC [7:0]							0000h	
R3008 (BC0h)	ISRC4DEC1MIX_Input_1_Source	ISRC4DEC1_STS	0	0	0	0	0	0	0	ISRC4DEC1_SRC [7:0]							0000h	
R3016 (BC8h)	ISRC4DEC2MIX_Input_1_Source	ISRC4DEC2_STS	0	0	0	0	0	0	0	ISRC4DEC2_SRC [7:0]							0000h	
R3040 (BE0h)	ISRC4INT1MIX_Input_1_Source	ISRC4INT1_STS	0	0	0	0	0	0	0	ISRC4INT1_SRC [7:0]							0000h	
R3048 (BE8h)	ISRC4INT2MIX_Input_1_Source	ISRC4INT2_STS	0	0	0	0	0	0	0	ISRC4INT2_SRC [7:0]							0000h	
R3072 (C00h)	DSP6LMIX_Input_1_Source	DSP6LMIX_STS1	0	0	0	0	0	0	0	DSP6LMIX_SRC1 [7:0]							0000h	
R3073 (C01h)	DSP6LMIX_Input_1_Volume	0	0	0	0	0	0	0	0	DSP6LMIX_VOL1 [6:0]						0	0080h	
R3074 (C02h)	DSP6LMIX_Input_2_Source	DSP6LMIX_STS2	0	0	0	0	0	0	0	DSP6LMIX_SRC2 [7:0]							0000h	
R3075 (C03h)	DSP6LMIX_Input_2_Volume	0	0	0	0	0	0	0	0	DSP6LMIX_VOL2 [6:0]						0	0080h	
R3076 (C04h)	DSP6LMIX_Input_3_Source	DSP6LMIX_STS3	0	0	0	0	0	0	0	DSP6LMIX_SRC3 [7:0]							0000h	
R3077 (C05h)	DSP6LMIX_Input_3_Volume	0	0	0	0	0	0	0	0	DSP6LMIX_VOL3 [6:0]						0	0080h	
R3078 (C06h)	DSP6LMIX_Input_4_Source	DSP6LMIX_STS4	0	0	0	0	0	0	0	DSP6LMIX_SRC4 [7:0]							0000h	
R3079 (C07h)	DSP6LMIX_Input_4_Volume	0	0	0	0	0	0	0	0	DSP6LMIX_VOL4 [6:0]						0	0080h	
R3080 (C08h)	DSP6RMIX_Input_1_Source	DSP6RMIX_STS1	0	0	0	0	0	0	0	DSP6RMIX_SRC1 [7:0]							0000h	
R3081 (C09h)	DSP6RMIX_Input_1_Volume	0	0	0	0	0	0	0	0	DSP6RMIX_VOL1 [6:0]						0	0080h	
R3082 (C0Ah)	DSP6RMIX_Input_2_Source	DSP6RMIX_STS2	0	0	0	0	0	0	0	DSP6RMIX_SRC2 [7:0]							0000h	
R3083 (C0Bh)	DSP6RMIX_Input_2_Volume	0	0	0	0	0	0	0	0	DSP6RMIX_VOL2 [6:0]						0	0080h	
R3084 (C0Ch)	DSP6RMIX_Input_3_Source	DSP6RMIX_STS3	0	0	0	0	0	0	0	DSP6RMIX_SRC3 [7:0]							0000h	
R3085 (C0Dh)	DSP6RMIX_Input_3_Volume	0	0	0	0	0	0	0	0	DSP6RMIX_VOL3 [6:0]						0	0080h	
R3086 (C0Eh)	DSP6RMIX_Input_4_Source	DSP6RMIX_STS4	0	0	0	0	0	0	0	DSP6RMIX_SRC4 [7:0]							0000h	
R3087 (C0Fh)	DSP6RMIX_Input_4_Volume	0	0	0	0	0	0	0	0	DSP6RMIX_VOL4 [6:0]						0	0080h	
R3088 (C10h)	DSP6AUX1MIX_Input_1_Source	DSP6AUX1_STS	0	0	0	0	0	0	0	DSP6AUX1_SRC [7:0]							0000h	
R3096 (C18h)	DSP6AUX2MIX_Input_1_Source	DSP6AUX2_STS	0	0	0	0	0	0	0	DSP6AUX2_SRC [7:0]							0000h	
R3104 (C20h)	DSP6AUX3MIX_Input_1_Source	DSP6AUX3_STS	0	0	0	0	0	0	0	DSP6AUX3_SRC [7:0]							0000h	
R3112 (C28h)	DSP6AUX4MIX_Input_1_Source	DSP6AUX4_STS	0	0	0	0	0	0	0	DSP6AUX4_SRC [7:0]							0000h	

Table 6-1. Register Map Definition—16-bit region (Cont.)

Register	Name	15	14	13	12	11	10	9	8	7	6	5	4	3	2	1	0	Default	
R3120 (C30h)	DSP6AUX5MIX_Input_1_Source	DSP6AUX_5_STS	0	0	0	0	0	0	0	DSP6AUX5_SRC [7:0]								0000h	
R3128 (C38h)	DSP6AUX6MIX_Input_1_Source	DSP6AUX_6_STS	0	0	0	0	0	0	0	DSP6AUX6_SRC [7:0]								0000h	
R3136 (C40h)	DSP7LMIX_Input_1_Source	DSP7LMIX_1_STS1	0	0	0	0	0	0	0	DSP7LMIX_SRC1 [7:0]								0000h	
R3137 (C41h)	DSP7LMIX_Input_1_Volume	0	0	0	0	0	0	0	0	DSP7LMIX_VOL1 [6:0]						0	0080h		
R3138 (C42h)	DSP7LMIX_Input_2_Source	DSP7LMIX_1_STS2	0	0	0	0	0	0	0	DSP7LMIX_SRC2 [7:0]								0000h	
R3139 (C43h)	DSP7LMIX_Input_2_Volume	0	0	0	0	0	0	0	0	DSP7LMIX_VOL2 [6:0]						0	0080h		
R3140 (C44h)	DSP7LMIX_Input_3_Source	DSP7LMIX_1_STS3	0	0	0	0	0	0	0	DSP7LMIX_SRC3 [7:0]								0000h	
R3141 (C45h)	DSP7LMIX_Input_3_Volume	0	0	0	0	0	0	0	0	DSP7LMIX_VOL3 [6:0]						0	0080h		
R3142 (C46h)	DSP7LMIX_Input_4_Source	DSP7LMIX_1_STS4	0	0	0	0	0	0	0	DSP7LMIX_SRC4 [7:0]								0000h	
R3143 (C47h)	DSP7LMIX_Input_4_Volume	0	0	0	0	0	0	0	0	DSP7LMIX_VOL4 [6:0]						0	0080h		
R3144 (C48h)	DSP7RMIX_Input_1_Source	DSP7RMIX_1_STS1	0	0	0	0	0	0	0	DSP7RMIX_SRC1 [7:0]								0000h	
R3145 (C49h)	DSP7RMIX_Input_1_Volume	0	0	0	0	0	0	0	0	DSP7RMIX_VOL1 [6:0]						0	0080h		
R3146 (C4Ah)	DSP7RMIX_Input_2_Source	DSP7RMIX_1_STS2	0	0	0	0	0	0	0	DSP7RMIX_SRC2 [7:0]								0000h	
R3147 (C4Bh)	DSP7RMIX_Input_2_Volume	0	0	0	0	0	0	0	0	DSP7RMIX_VOL2 [6:0]						0	0080h		
R3148 (C4Ch)	DSP7RMIX_Input_3_Source	DSP7RMIX_1_STS3	0	0	0	0	0	0	0	DSP7RMIX_SRC3 [7:0]								0000h	
R3149 (C4Dh)	DSP7RMIX_Input_3_Volume	0	0	0	0	0	0	0	0	DSP7RMIX_VOL3 [6:0]						0	0080h		
R3150 (C4Eh)	DSP7RMIX_Input_4_Source	DSP7RMIX_1_STS4	0	0	0	0	0	0	0	DSP7RMIX_SRC4 [7:0]								0000h	
R3151 (C4Fh)	DSP7RMIX_Input_4_Volume	0	0	0	0	0	0	0	0	DSP7RMIX_VOL4 [6:0]						0	0080h		
R3152 (C50h)	DSP7AUX1MIX_Input_1_Source	DSP7AUX_1_STS	0	0	0	0	0	0	0	DSP7AUX1_SRC [7:0]								0000h	
R3160 (C58h)	DSP7AUX2MIX_Input_1_Source	DSP7AUX_2_STS	0	0	0	0	0	0	0	DSP7AUX2_SRC [7:0]								0000h	
R3168 (C60h)	DSP7AUX3MIX_Input_1_Source	DSP7AUX_3_STS	0	0	0	0	0	0	0	DSP7AUX3_SRC [7:0]								0000h	
R3176 (C68h)	DSP7AUX4MIX_Input_1_Source	DSP7AUX_4_STS	0	0	0	0	0	0	0	DSP7AUX4_SRC [7:0]								0000h	
R3184 (C70h)	DSP7AUX5MIX_Input_1_Source	DSP7AUX_5_STS	0	0	0	0	0	0	0	DSP7AUX5_SRC [7:0]								0000h	
R3192 (C78h)	DSP7AUX6MIX_Input_1_Source	DSP7AUX_6_STS	0	0	0	0	0	0	0	DSP7AUX6_SRC [7:0]								0000h	
R3520 (DC0h)	DFC1MIX_Input_1_Source	DFC1_STS	0	0	0	0	0	0	0	DFC1_SRC [7:0]								0000h	
R3528 (DC8h)	DFC2MIX_Input_1_Source	DFC2_STS	0	0	0	0	0	0	0	DFC2_SRC [7:0]								0000h	
R3536 (DD0h)	DFC3MIX_Input_1_Source	DFC3_STS	0	0	0	0	0	0	0	DFC3_SRC [7:0]								0000h	
R3544 (DD8h)	DFC4MIX_Input_1_Source	DFC4_STS	0	0	0	0	0	0	0	DFC4_SRC [7:0]								0000h	
R3552 (DE0h)	DFC5MIX_Input_1_Source	DFC5_STS	0	0	0	0	0	0	0	DFC5_SRC [7:0]								0000h	
R3560 (DE8h)	DFC6MIX_Input_1_Source	DFC6_STS	0	0	0	0	0	0	0	DFC6_SRC [7:0]								0000h	
R3568 (DF0h)	DFC7MIX_Input_1_Source	DFC7_STS	0	0	0	0	0	0	0	DFC7_SRC [7:0]								0000h	
R3576 (DF8h)	DFC8MIX_Input_1_Source	DFC8_STS	0	0	0	0	0	0	0	DFC8_SRC [7:0]								0000h	
R3584 (E00h)	FX_Ctrl1	0	FX_RATE [3:0]				0	0	0	0	0	0	0	0	0	0	0	0	0000h
R3585 (E01h)	FX_Ctrl2	FX_STS [11:0]											0	0	1	0	002h		
R3600 (E10h)	EQ1_1	EQ1_B1_GAIN [4:0]				EQ1_B2_GAIN [4:0]				EQ1_B3_GAIN [4:0]				EQ1_ENA				6318h	
R3601 (E11h)	EQ1_2	EQ1_B4_GAIN [4:0]				EQ1_B5_GAIN [4:0]				0	0	0	0	0	EQ1_B1_MODE				6300h
R3602 (E12h)	EQ1_3	EQ1_B1_A [15:0]															0FC8h		
R3603 (E13h)	EQ1_4	EQ1_B1_B [15:0]															03FEh		

Table 6-1. Register Map Definition—16-bit region (Cont.)

Register	Name	15	14	13	12	11	10	9	8	7	6	5	4	3	2	1	0	Default	
R3604 (E14h)	EQ1_5	EQ1_B1_PG [15:0]																00E0h	
R3605 (E15h)	EQ1_6	EQ1_B2_A [15:0]																1EC4h	
R3606 (E16h)	EQ1_7	EQ1_B2_B [15:0]																F136h	
R3607 (E17h)	EQ1_8	EQ1_B2_C [15:0]																0409h	
R3608 (E18h)	EQ1_9	EQ1_B2_PG [15:0]																04CCh	
R3609 (E19h)	EQ1_10	EQ1_B3_A [15:0]																1C9Bh	
R3610 (E1Ah)	EQ1_11	EQ1_B3_B [15:0]																F337h	
R3611 (E1Bh)	EQ1_12	EQ1_B3_C [15:0]																040Bh	
R3612 (E1Ch)	EQ1_13	EQ1_B3_PG [15:0]																0CBBh	
R3613 (E1Dh)	EQ1_14	EQ1_B4_A [15:0]																16F8h	
R3614 (E1Eh)	EQ1_15	EQ1_B4_B [15:0]																F7D9h	
R3615 (E1Fh)	EQ1_16	EQ1_B4_C [15:0]																040Ah	
R3616 (E20h)	EQ1_17	EQ1_B4_PG [15:0]																1F14h	
R3617 (E21h)	EQ1_18	EQ1_B5_A [15:0]																058Ch	
R3618 (E22h)	EQ1_19	EQ1_B5_B [15:0]																0563h	
R3619 (E23h)	EQ1_20	EQ1_B5_PG [15:0]																4000h	
R3620 (E24h)	EQ1_21	EQ1_B1_C [15:0]																0B75h	
R3622 (E26h)	EQ2_1	EQ2_B1_GAIN [4:0]				EQ2_B2_GAIN [4:0]				EQ2_B3_GAIN [4:0]				EQ2_ENA				6318h	
R3623 (E27h)	EQ2_2	EQ2_B4_GAIN [4:0]				EQ2_B5_GAIN [4:0]				0	0	0	0	0	EQ2_B1_MODE				6300h
R3624 (E28h)	EQ2_3	EQ2_B1_A [15:0]																0FC8h	
R3625 (E29h)	EQ2_4	EQ2_B1_B [15:0]																03FEh	
R3626 (E2Ah)	EQ2_5	EQ2_B1_PG [15:0]																00E0h	
R3627 (E2Bh)	EQ2_6	EQ2_B2_A [15:0]																1EC4h	
R3628 (E2Ch)	EQ2_7	EQ2_B2_B [15:0]																F136h	
R3629 (E2Dh)	EQ2_8	EQ2_B2_C [15:0]																0409h	
R3630 (E2Eh)	EQ2_9	EQ2_B2_PG [15:0]																04CCh	
R3631 (E2Fh)	EQ2_10	EQ2_B3_A [15:0]																1C9Bh	
R3632 (E30h)	EQ2_11	EQ2_B3_B [15:0]																F337h	
R3633 (E31h)	EQ2_12	EQ2_B3_C [15:0]																040Bh	
R3634 (E32h)	EQ2_13	EQ2_B3_PG [15:0]																0CBBh	
R3635 (E33h)	EQ2_14	EQ2_B4_A [15:0]																16F8h	
R3636 (E34h)	EQ2_15	EQ2_B4_B [15:0]																F7D9h	
R3637 (E35h)	EQ2_16	EQ2_B4_C [15:0]																040Ah	
R3638 (E36h)	EQ2_17	EQ2_B4_PG [15:0]																1F14h	
R3639 (E37h)	EQ2_18	EQ2_B5_A [15:0]																058Ch	
R3640 (E38h)	EQ2_19	EQ2_B5_B [15:0]																0563h	
R3641 (E39h)	EQ2_20	EQ2_B5_PG [15:0]																4000h	
R3642 (E3Ah)	EQ2_21	EQ2_B1_C [15:0]																0B75h	

Table 6-1. Register Map Definition—16-bit region (Cont.)

Register	Name	15	14	13	12	11	10	9	8	7	6	5	4	3	2	1	0	Default
R3644 (E3Ch)	EQ3_1	EQ3_B1_GAIN [4:0]				EQ3_B2_GAIN [4:0]				EQ3_B3_GAIN [4:0]				EQ3_ENA	6318h			
R3645 (E3Dh)	EQ3_2	EQ3_B4_GAIN [4:0]				EQ3_B5_GAIN [4:0]				0	0	0	0	0	EQ3_B1_MODE	6300h		
R3646 (E3Eh)	EQ3_3	EQ3_B1_A [15:0]																0FC8h
R3647 (E3Fh)	EQ3_4	EQ3_B1_B [15:0]																03FEh
R3648 (E40h)	EQ3_5	EQ3_B1_PG [15:0]																00E0h
R3649 (E41h)	EQ3_6	EQ3_B2_A [15:0]																1EC4h
R3650 (E42h)	EQ3_7	EQ3_B2_B [15:0]																F136h
R3651 (E43h)	EQ3_8	EQ3_B2_C [15:0]																0409h
R3652 (E44h)	EQ3_9	EQ3_B2_PG [15:0]																04CCh
R3653 (E45h)	EQ3_10	EQ3_B3_A [15:0]																1C9Bh
R3654 (E46h)	EQ3_11	EQ3_B3_B [15:0]																F337h
R3655 (E47h)	EQ3_12	EQ3_B3_C [15:0]																040Bh
R3656 (E48h)	EQ3_13	EQ3_B3_PG [15:0]																0CBBh
R3657 (E49h)	EQ3_14	EQ3_B4_A [15:0]																16F8h
R3658 (E4Ah)	EQ3_15	EQ3_B4_B [15:0]																F7D9h
R3659 (E4Bh)	EQ3_16	EQ3_B4_C [15:0]																040Ah
R3660 (E4Ch)	EQ3_17	EQ3_B4_PG [15:0]																1F14h
R3661 (E4Dh)	EQ3_18	EQ3_B5_A [15:0]																058Ch
R3662 (E4Eh)	EQ3_19	EQ3_B5_B [15:0]																0563h
R3663 (E4Fh)	EQ3_20	EQ3_B5_PG [15:0]																4000h
R3664 (E50h)	EQ3_21	EQ3_B1_C [15:0]																0B75h
R3666 (E52h)	EQ4_1	EQ4_B1_GAIN [4:0]				EQ4_B2_GAIN [4:0]				EQ4_B3_GAIN [4:0]				EQ4_ENA	6318h			
R3667 (E53h)	EQ4_2	EQ4_B4_GAIN [4:0]				EQ4_B5_GAIN [4:0]				0	0	0	0	0	EQ4_B1_MODE	6300h		
R3668 (E54h)	EQ4_3	EQ4_B1_A [15:0]																0FC8h
R3669 (E55h)	EQ4_4	EQ4_B1_B [15:0]																03FEh
R3670 (E56h)	EQ4_5	EQ4_B1_PG [15:0]																00E0h
R3671 (E57h)	EQ4_6	EQ4_B2_A [15:0]																1EC4h
R3672 (E58h)	EQ4_7	EQ4_B2_B [15:0]																F136h
R3673 (E59h)	EQ4_8	EQ4_B2_C [15:0]																0409h
R3674 (E5Ah)	EQ4_9	EQ4_B2_PG [15:0]																04CCh
R3675 (E5Bh)	EQ4_10	EQ4_B3_A [15:0]																1C9Bh
R3676 (E5Ch)	EQ4_11	EQ4_B3_B [15:0]																F337h
R3677 (E5Dh)	EQ4_12	EQ4_B3_C [15:0]																040Bh
R3678 (E5Eh)	EQ4_13	EQ4_B3_PG [15:0]																0CBBh
R3679 (E5Fh)	EQ4_14	EQ4_B4_A [15:0]																16F8h
R3680 (E60h)	EQ4_15	EQ4_B4_B [15:0]																F7D9h
R3681 (E61h)	EQ4_16	EQ4_B4_C [15:0]																040Ah
R3682 (E62h)	EQ4_17	EQ4_B4_PG [15:0]																1F14h

Table 6-1. Register Map Definition—16-bit region (Cont.)

Register	Name	15	14	13	12	11	10	9	8	7	6	5	4	3	2	1	0	Default	
R3683 (E63h)	EQ4_18	EQ4_B5_A [15:0]																058Ch	
R3684 (E64h)	EQ4_19	EQ4_B5_B [15:0]																0563h	
R3685 (E65h)	EQ4_20	EQ4_B5_PG [15:0]																4000h	
R3686 (E66h)	EQ4_21	EQ4_B1_C [15:0]																0B75h	
R3712 (E80h)	DRC1_ctrl1	DRC1_SIG_DET_RMS [4:0]				DRC1_SIG_DET_PK [1:0]		DRC1_NG_ENA	DRC1_SIG_DET_MODE	DRC1_SIG_DET	DRC1_KNEE2_OP_ENA	DRC1_QR	DRC1_ANTICLIP	DRC1_WSEQ_SIG_DET_ENA	DRC1L_ENA	DRC1R_ENA			0018h
R3713 (E81h)	DRC1_ctrl2	0	0	0	DRC1_ATK [3:0]			DRC1_DCY [3:0]			DRC1_MINGAIN [2:0]		DRC1_MAXGAIN [1:0]			0933h			
R3714 (E82h)	DRC1_ctrl3	DRC1_NG_MINGAIN [3:0]			DRC1_NG_EXP [1:0]		DRC1_QR_THR [1:0]	DRC1_QR_DCY [1:0]	DRC1_HI_COMP [2:0]		DRC1_LO_COMP [2:0]						0018h		
R3715 (E83h)	DRC1_ctrl4	0	0	0	0	0	DRC1_KNEE_IP [5:0]				DRC1_KNEE_OP [4:0]				0000h				
R3716 (E84h)	DRC1_ctrl5	0	0	0	0	0	DRC1_KNEE2_IP [4:0]				DRC1_KNEE2_OP [4:0]				0000h				
R3720 (E88h)	DRC2_ctrl1	DRC2_SIG_DET_RMS [4:0]				DRC2_SIG_DET_PK [1:0]		DRC2_NG_ENA	DRC2_SIG_DET_MODE	DRC2_SIG_DET	DRC2_KNEE2_OP_ENA	DRC2_QR	DRC2_ANTICLIP	0	DRC2L_ENA	DRC2R_ENA			0018h
R3721 (E89h)	DRC2_ctrl2	0	0	0	DRC2_ATK [3:0]			DRC2_DCY [3:0]			DRC2_MINGAIN [2:0]		DRC2_MAXGAIN [1:0]			0933h			
R3722 (E8Ah)	DRC2_ctrl3	DRC2_NG_MINGAIN [3:0]			DRC2_NG_EXP [1:0]		DRC2_QR_THR [1:0]	DRC2_QR_DCY [1:0]	DRC2_HI_COMP [2:0]		DRC2_LO_COMP [2:0]						0018h		
R3723 (E8Bh)	DRC2_ctrl4	0	0	0	0	0	DRC2_KNEE_IP [5:0]				DRC2_KNEE_OP [4:0]				0000h				
R3724 (E8Ch)	DRC2_ctrl5	0	0	0	0	0	DRC2_KNEE2_IP [4:0]				DRC2_KNEE2_OP [4:0]				0000h				
R3776 (EC0h)	HPLPF1_1	0	0	0	0	0	0	0	0	0	0	0	0	0	0	LHPF1_MODE	LHPF1_ENA	0000h	
R3777 (EC1h)	HPLPF1_2	LHPF1_COEFF [15:0]																0000h	
R3780 (EC4h)	HPLPF2_1	0	0	0	0	0	0	0	0	0	0	0	0	0	0	LHPF2_MODE	LHPF2_ENA	0000h	
R3781 (EC5h)	HPLPF2_2	LHPF2_COEFF [15:0]																0000h	
R3784 (EC8h)	HPLPF3_1	0	0	0	0	0	0	0	0	0	0	0	0	0	0	LHPF3_MODE	LHPF3_ENA	0000h	
R3785 (EC9h)	HPLPF3_2	LHPF3_COEFF [15:0]																0000h	
R3788 (ECCh)	HPLPF4_1	0	0	0	0	0	0	0	0	0	0	0	0	0	0	LHPF4_MODE	LHPF4_ENA	0000h	
R3789 (ECDh)	HPLPF4_2	LHPF4_COEFF [15:0]																0000h	
R3792 (ED0h)	ASRC2_ENABLE	0	0	0	0	0	0	0	0	0	0	0	0	ASRC2_IN2L_ENA	ASRC2_IN2R_ENA	ASRC2_IN1L_ENA	ASRC2_IN1R_ENA	0000h	
R3793 (ED1h)	ASRC2_STATUS	0	0	0	0	0	0	0	0	0	0	0	0	ASRC2_IN2L_ENA_STS	ASRC2_IN2R_ENA_STS	ASRC2_IN1L_ENA_STS	ASRC2_IN1R_ENA_STS	0000h	
R3794 (ED2h)	ASRC2_RATE1	0	ASRC2_RATE1 [3:0]			0	0	0	0	0	0	0	0	0	0	0	0	0	0000h
R3795 (ED3h)	ASRC2_RATE2	0	ASRC2_RATE2 [3:0]			0	0	0	0	0	0	0	0	0	0	0	0	0	4000h
R3808 (EE0h)	ASRC1_ENABLE	0	0	0	0	0	0	0	0	0	0	0	0	ASRC1_IN2L_ENA	ASRC1_IN2R_ENA	ASRC1_IN1L_ENA	ASRC1_IN1R_ENA	0000h	
R3809 (EE1h)	ASRC1_STATUS	0	0	0	0	0	0	0	0	0	0	0	0	ASRC1_IN2L_ENA_STS	ASRC1_IN2R_ENA_STS	ASRC1_IN1L_ENA_STS	ASRC1_IN1R_ENA_STS	0000h	
R3810 (EE2h)	ASRC1_RATE1	0	ASRC1_RATE1 [3:0]			0	0	0	0	0	0	0	0	0	0	0	0	0	0000h
R3811 (EE3h)	ASRC1_RATE2	0	ASRC1_RATE2 [3:0]			0	0	0	0	0	0	0	0	0	0	0	0	0	4000h
R3824 (EF0h)	ISRC1_CTRL_1	0	ISRC1_FSH [3:0]			0	0	0	0	0	0	0	0	0	0	0	0	0	0000h
R3825 (EF1h)	ISRC1_CTRL_2	0	ISRC1_FSL [3:0]			0	0	0	0	0	0	0	0	0	0	0	0	1	0001h
R3826 (EF2h)	ISRC1_CTRL_3	ISRC1_INT1_ENA	ISRC1_INT2_ENA	ISRC1_INT3_ENA	ISRC1_INT4_ENA	0	0	ISRC1_DEC1_ENA	ISRC1_DEC2_ENA	ISRC1_DEC3_ENA	ISRC1_DEC4_ENA	0	0	0	0	0	0	0	0000h
R3827 (EF3h)	ISRC2_CTRL_1	0	ISRC2_FSH [3:0]			0	0	0	0	0	0	0	0	0	0	0	0	0	0000h
R3828 (EF4h)	ISRC2_CTRL_2	0	ISRC2_FSL [3:0]			0	0	0	0	0	0	0	0	0	0	0	0	1	0001h
R3829 (EF5h)	ISRC2_CTRL_3	ISRC2_INT1_ENA	ISRC2_INT2_ENA	ISRC2_INT3_ENA	ISRC2_INT4_ENA	0	0	ISRC2_DEC1_ENA	ISRC2_DEC2_ENA	ISRC2_DEC3_ENA	ISRC2_DEC4_ENA	0	0	0	0	0	0	0	0000h
R3830 (EF6h)	ISRC3_CTRL_1	0	ISRC3_FSH [3:0]			0	0	0	0	0	0	0	0	0	0	0	0	0	0000h

Table 6-1. Register Map Definition—16-bit region (Cont.)

Register	Name	15	14	13	12	11	10	9	8	7	6	5	4	3	2	1	0	Default	
R3831 (EF7h)	ISRC3_CTRL_2	0	ISRC3_FSL [3:0]					0	0	0	0	0	0	0	0	0	0	1	0001h
R3832 (EF8h)	ISRC3_CTRL_3	ISRC3_INT1_ENA	ISRC3_INT2_ENA	0	0	0	0	ISRC3_DEC1_ENA	ISRC3_DEC2_ENA	0	0	0	0	0	0	0	0	0000h	
R3833 (EF9h)	ISRC4_CTRL_1	0	ISRC4_FSH [3:0]					0	0	0	0	0	0	0	0	0	0	0000h	
R3834 (EFAh)	ISRC4_CTRL_2	0	ISRC4_FSL [3:0]					0	0	0	0	0	0	0	0	0	1	0001h	
R3835 (EFBh)	ISRC4_CTRL_3	ISRC4_INT1_ENA	ISRC4_INT2_ENA	0	0	0	0	ISRC4_DEC1_ENA	ISRC4_DEC2_ENA	0	0	0	0	0	0	0	0	0000h	
R3840 (F00h)	Clock_Control	0	0	0	0	0	0	0	0	EXT_NG_SEL_CLR	EXT_NG_SEL_SET	CLK_R_ENA_CLR	CLK_R_ENA_SET	CLK_NG_ENA_CLR	CLK_NG_ENA_SET	CLK_L_ENA_CLR	CLK_L_ENA_SET	0000h	
R3841 (F01h)	ANC_SRC	0	0	0	0	0	0	0	0	IN_RXANCR_SEL [2:0]			0	IN_RXANCL_SEL [2:0]			0000h		
R3842 (F02h)	DSP_status	0	0	0	0	0	0	0	0	0	0	0	0	DSP_STS [2:0]				0000h	
R3848 (F08h)	CIC_shift_coeff	0	0	0	0	0	0	0	0	CIC_SHIFT [5:0]								001Ch	
R3849 (F09h)	CIC_R_coeff	CIC_COUNT_LOAD [15:0]															0000h		
R3851 (F0Bh)	WF_shift_coeff	0	0	0	0	0	0	0	0	0	0	0	0	0	WF_SHIFT [2:0]			0000h	
R3852 (F0Ch)	NG_attack_shift	0	0	0	0	0	0	0	0	NG_ATTACK_SHIFT [4:0]								0000h	
R3853 (F0Dh)	NG_decay_shift	0	0	0	0	0	0	0	0	NG_DECAY_SHIFT [4:0]								0000h	
R3854 (F0Eh)	NG_threshold_index	0	0	0	0	0	0	0	0	NG_THRESH_INDEX [4:0]								0000h	
R3855 (F0Fh)	NG_slope_select	0	0	0	0	0	0	0	0	0	0	0	0	0	0	0	NG_SLOPE_SEL	0000h	
R3856 (F10h)	NG_control	0	0	0	0	0	0	0	0	0	0	0	0	0	0	NOISE_GATE_BYPASS_CLR	NOISE_GATE_BYPASS_SET	0000h	
R3857 (F11h)	NG_Internal_Gain	0	0	0	0	0	0	INT_NG_GAIN [8:0]										0000h	
R3858 (F12h)	NG_External_Gain	0	0	0	0	0	0	EXT_NG_GAIN [8:0]										0000h	
R3861 (F15h)	FCL_Filter_control	0	0	0	0	0	0	0	FCL_SLIM_ENA_CLR	FCL_SLIM_ENA_SET	FCL_LIMITER_HPLP_ENA_CLR	FCL_LIMITER_HPLP_ENA_SET	FCL_LIMITER_BYPASS_CLR	FCL_LIMITER_BYPASS_SET	FCL_FILTER_ENA_CLR	FCL_FILTER_ENA_SET	0000h		
R3863 (F17h)	FCL_ADC_reformatter_control	0	0	0	0	0	0	0	0	0	0	0	FCL_MIC_MODE_SEL [1:0]	0	0	0	0004h		
R3864 (F18h)	FCL_NC_CIC_shift_coeff	0	0	0	0	0	0	0	0	FCL_NC_CIC_SHIFT [4:0]								0004h	
R3865 (F19h)	FCL_NC_CIC_load_coeff	0	0	0	0	0	0	0	0	FCL_NC_CIC_COUNT_LOAD [4:0]								0002h	
R3866 (F1Ah)	FCL_HPF_coeff	0	0	0	0	0	0	FCL_HPF_SHIFT [3:0]				FCL_HPF_MUL [4:0]				0000h			
R3867 (F1Bh)	FCL_CAL_GAIN_Coeff_1	0	0	0	0	0	0	0	0	0	FCL_CAL_GAIN_SHIFT [4:0]							0010h	
R3868 (F1Ch)	FCL_CAL_GAIN_Coeff_2	0	0	0	0	0	0	0	0	FCL_CAL_GAIN_MUL [5:0]								0000h	
R3869 (F1Dh)	FCL_IIR_Gain_Coeff	0	0	0	0	0	0	0	0	0	0	FCL_IIR_GAIN_SHIFT [3:0]					0000h		
R3870 (F1Eh)	FCL_Gain_Update	0	0	0	0	0	0	0	0	0	0	0	0	0	FCL_IIR_GAIN_UPDATE	FCL_CAL_GAIN_UPDATE	0000h		
R3871 (F1Fh)	FCL_Mask_Register_1	0	0	0	0	0	0	0	0	0	0	FCL_MASK_CAL [3:0]						0000h	
R3872 (F20h)	FCL_Mask_Register_2	0	0	0	0	0	0	0	0	0	0	FCL_MASK_IIR [3:0]						0000h	
R3873 (F21h)	FCL_Mask_Register_3	0	0	0	0	0	0	0	0	0	0	FCL_MASK_FL [3:0]						0000h	
R3876 (F24h)	FCL_IIR_PF_1	0	0	0	0	0	0	FCL_IIR_PF_BP [8:0]										0000h	
R3877 (F25h)	FCL_IIR_PF_2	0	0	0	0	0	0	FCL_IIR_PF_BPS [5:0]										0000h	
R3880 (F28h)	FCL_IIR_PF4_1_1	0	0	0	0	0	0	FCL_IIR_PF4_B1 [8:0]										0000h	
R3881 (F29h)	FCL_IIR_PF4_1_2	0	0	0	0	0	0	FCL_IIR_PF4_BS1 [5:0]										0000h	
R3883 (F2Bh)	FCL_IIR_PF4_2_1	0	0	0	0	0	0	FCL_IIR_PF4_B0 [8:0]										0000h	
R3884 (F2Ch)	FCL_IIR_PF4_2_2	0	0	0	0	0	0	FCL_IIR_PF4_BS0 [5:0]										0000h	

Table 6-1. Register Map Definition—16-bit region (Cont.)

Register	Name	15	14	13	12	11	10	9	8	7	6	5	4	3	2	1	0	Default
R3885 (F2Dh)	FCL_IIR_PF4_3_1	0	0	0	0	0	0	0	0	FCL_IIR_PF4_H1 [7:0]								0000h
R3886 (F2Eh)	FCL_IIR_PF4_3_2	0	0	0	0	0	0	0	0	0	0	FCL_IIR_PF4_HS1 [5:0]					0000h	
R3887 (F2Fh)	FCL_IIR_PF4_4_1	0	0	0	0	0	0	0	0	FCL_IIR_PF4_H0 [7:0]								0000h
R3888 (F30h)	FCL_IIR_PF4_4_2	0	0	0	0	0	0	0	0	0	0	FCL_IIR_PF4_HS0 [5:0]					0000h	
R3890 (F32h)	FCL_IIR_PF3_1_1	0	0	0	0	0	0	0	FCL_IIR_PF3_B1 [8:0]								0000h	
R3891 (F33h)	FCL_IIR_PF3_1_2	0	0	0	0	0	0	0	0	0	0	FCL_IIR_PF3_BS1 [5:0]					0000h	
R3893 (F35h)	FCL_IIR_PF3_2_1	0	0	0	0	0	0	0	FCL_IIR_PF3_B0 [8:0]								0000h	
R3894 (F36h)	FCL_IIR_PF3_2_2	0	0	0	0	0	0	0	0	0	0	FCL_IIR_PF3_BS0 [5:0]					0000h	
R3895 (F37h)	FCL_IIR_PF3_3_1	0	0	0	0	0	0	0	FCL_IIR_PF3_H1 [7:0]								0000h	
R3896 (F38h)	FCL_IIR_PF3_3_2	0	0	0	0	0	0	0	0	0	0	FCL_IIR_PF3_HS1 [5:0]					0000h	
R3897 (F39h)	FCL_IIR_PF3_4_1	0	0	0	0	0	0	0	FCL_IIR_PF3_H0 [7:0]								0000h	
R3898 (F3Ah)	FCL_IIR_PF3_4_2	0	0	0	0	0	0	0	0	0	0	FCL_IIR_PF3_HS0 [5:0]					0000h	
R3900 (F3Ch)	FCL_IIR_PF2_1_1	0	0	0	0	0	0	0	FCL_IIR_PF2_B1 [8:0]								0000h	
R3901 (F3Dh)	FCL_IIR_PF2_1_2	0	0	0	0	0	0	0	0	0	0	FCL_IIR_PF2_BS1 [5:0]					0000h	
R3903 (F3Fh)	FCL_IIR_PF2_2_1	0	0	0	0	0	0	0	FCL_IIR_PF2_B0 [8:0]								0000h	
R3904 (F40h)	FCL_IIR_PF2_2_2	0	0	0	0	0	0	0	0	0	0	FCL_IIR_PF2_BS0 [5:0]					0000h	
R3905 (F41h)	FCL_IIR_PF2_3_1	0	0	0	0	0	0	0	FCL_IIR_PF2_H1 [7:0]								0000h	
R3906 (F42h)	FCL_IIR_PF2_3_2	0	0	0	0	0	0	0	0	0	0	FCL_IIR_PF2_HS1 [5:0]					0000h	
R3907 (F43h)	FCL_IIR_PF2_4_1	0	0	0	0	0	0	0	FCL_IIR_PF2_H0 [7:0]								0000h	
R3908 (F44h)	FCL_IIR_PF2_4_2	0	0	0	0	0	0	0	0	0	0	FCL_IIR_PF2_HS0 [5:0]					0000h	
R3910 (F46h)	FCL_IIR_PF1_1_1	0	0	0	0	0	0	0	FCL_IIR_PF1_B1 [8:0]								0000h	
R3911 (F47h)	FCL_IIR_PF1_1_2	0	0	0	0	0	0	0	0	0	0	FCL_IIR_PF1_BS1 [5:0]					0000h	
R3913 (F49h)	FCL_IIR_PF1_2_1	0	0	0	0	0	0	0	FCL_IIR_PF1_B0 [8:0]								0000h	
R3914 (F4Ah)	FCL_IIR_PF1_2_2	0	0	0	0	0	0	0	0	0	0	FCL_IIR_PF1_BS0 [5:0]					0000h	
R3915 (F4Bh)	FCL_IIR_PF1_3_1	0	0	0	0	0	0	0	FCL_IIR_PF1_H1 [7:0]								0000h	
R3916 (F4Ch)	FCL_IIR_PF1_3_2	0	0	0	0	0	0	0	0	0	0	FCL_IIR_PF1_HS1 [5:0]					0000h	
R3917 (F4Dh)	FCL_IIR_PF1_4_1	0	0	0	0	0	0	0	FCL_IIR_PF1_H0 [7:0]								0000h	
R3918 (F4Eh)	FCL_IIR_PF1_4_2	0	0	0	0	0	0	0	0	0	0	FCL_IIR_PF1_HS0 [5:0]					0000h	
R3920 (F50h)	FCL_IIR_PF0_1_1	0	0	0	0	0	0	0	FCL_IIR_PF0_B1 [8:0]								0000h	
R3921 (F51h)	FCL_IIR_PF0_1_2	0	0	0	0	0	0	0	0	0	0	FCL_IIR_PF0_BS1 [5:0]					0000h	
R3923 (F53h)	FCL_IIR_PF0_2_1	0	0	0	0	0	0	0	FCL_IIR_PF0_B0 [8:0]								0000h	
R3924 (F54h)	FCL_IIR_PF0_2_2	0	0	0	0	0	0	0	0	0	0	FCL_IIR_PF0_BS0 [5:0]					0000h	
R3925 (F55h)	FCL_IIR_PF0_3_1	0	0	0	0	0	0	0	FCL_IIR_PF0_H1 [7:0]								0000h	
R3926 (F56h)	FCL_IIR_PF0_3_2	0	0	0	0	0	0	0	0	0	0	FCL_IIR_PF0_HS1 [5:0]					0000h	
R3927 (F57h)	FCL_IIR_PF0_4_1	0	0	0	0	0	0	0	FCL_IIR_PF0_H0 [7:0]								0000h	
R3928 (F58h)	FCL_IIR_PF0_4_2	0	0	0	0	0	0	0	0	0	0	FCL_IIR_PF0_HS0 [5:0]					0000h	
R3931 (F5Bh)	FCL_FB_MASK_1	0	0	0	0	0	0	0	0	0	0	0	FCL_IIR_PF_ENA [4:0]					0000h
R3932 (F5Ch)	FCL_FB_MASK_2	0	0	0	0	0	0	0	FCL_IIR_FB_MASK [7:0]								0000h	

Table 6-1. Register Map Definition—16-bit region (Cont.)

Register	Name	15	14	13	12	11	10	9	8	7	6	5	4	3	2	1	0	Default
R3935 (F5Fh)	FCL_LFL_HP_LP_config	0	0	0	0	0	0	0	0	FCL_LFL_HP_LP_COEFF_SHIFT [3:0]			0	FCL_LFL_HP_LP_COEFF_MUL [2:0]			0000h	
R3936 (F60h)	FCL_LFL_HP_config	0	0	0	0	0	0	0	0	FCL_LFL_HP_COEFF_SHIFT [3:0]			0	FCL_LFL_HP_COEFF_MUL [2:0]			0000h	
R3937 (F61h)	FCL_LFL_LP_config	0	0	0	0	0	0	0	0	FCL_LFL_LP_COEFF_SHIFT [3:0]			0	FCL_LFL_LP_COEFF_MUL [2:0]			0000h	
R3938 (F62h)	FCL_LFL_threshold_1	0	0	0	0	0	0	0	0	FCL_LFL_THRESHOLD [7:0]							0000h	
R3939 (F63h)	FCL_LFL_threshold_2	0	0	0	0	0	0	0	0	FCL_LFL_GAIN [7:0]							0000h	
R3940 (F64h)	FCL_LFL_debug	0	0	0	0	0	0	0	0	0	0	FCL_T_LFL_LP_MOFFSET_BY	FCL_T_LFL_LP_SOFFSET_BY	FCL_T_LFL_HP_MOFFSET_BY	FCL_T_LFL_HP_SOFFSET_BY	FCL_T_LFL_HP_LP_MOFFSET_BY	FCL_T_LFL_HP_LP_SOFFSET_BY	0000h
R3941 (F65h)	FCL_SLIM_Linear_Regio	0	0	0	0	0	0	0	0	FCL_SLIM_LINEAR [7:0]							0000h	
R3942 (F66h)	FCL_SLIM_Node_0	0	0	0	0	0	0	0	0	FCL_SLIM_NODE0 [7:0]							0000h	
R3943 (F67h)	FCL_SLIM_Node_1	0	0	0	0	0	0	0	0	FCL_SLIM_NODE1 [7:0]							0000h	
R3944 (F68h)	FCL_SLIM_Node_2	0	0	0	0	0	0	0	0	FCL_SLIM_NODE2 [7:0]							0000h	
R3945 (F69h)	FCL_SLIM_Node_3	0	0	0	0	0	0	0	0	FCL_SLIM_NODE3 [7:0]							0000h	
R3953 (F71h)	FCR_Filter_control	0	0	0	0	0	0	0	0	FCR_SLIM_ENA_CLR	FCR_SLIM_ENA_SET	FCR_LIMITER_HPLP_ENA_CLR	FCR_LIMITER_HPLP_ENA_SET	FCR_LIMITER_BYPASS_CLR	FCR_LIMITER_BYPASS_SET	FCR_FILTER_ENA_CLR	FCR_FILTER_ENA_SET	0000h
R3955 (F73h)	FCR_ADC_reformatter_control	0	0	0	0	0	0	0	0	0	0	0	0	FCR_MIC_MODE_SEL [1:0]		0	0	0004h
R3956 (F74h)	FCR_NC_CIC_shift_coeff	0	0	0	0	0	0	0	0	0	0	FCR_NC_CIC_SHIFT [4:0]						0004h
R3957 (F75h)	FCR_NC_CIC_load_coeff	0	0	0	0	0	0	0	0	0	0	FCR_NC_CIC_COUNT_LOAD [4:0]						0002h
R3958 (F76h)	FCR_HPF_coeff	0	0	0	0	0	0	0	FCR_HPF_SHIFT [3:0]			FCR_HPF_MUL [4:0]					0000h	
R3959 (F77h)	FCR_CAL_GAIN_Coeff_1	0	0	0	0	0	0	0	0	0	0	FCR_CAL_GAIN_SHIFT [4:0]						0010h
R3960 (F78h)	FCR_CAL_GAIN_Coeff_2	0	0	0	0	0	0	0	0	0	FCR_CAL_GAIN_MUL [5:0]						0000h	
R3961 (F79h)	FCR_IIR_Gain_Coeff	0	0	0	0	0	0	0	0	0	0	0	FCR_IIR_GAIN_SHIFT [3:0]				0000h	
R3962 (F7Ah)	FCR_Gain_Update	0	0	0	0	0	0	0	0	0	0	0	0	0	FCR_IIR_GAIN_UPDATE	FCR_CAL_GAIN_UPDATE	0000h	
R3963 (F7Bh)	FCR_Mask_Register_1	0	0	0	0	0	0	0	0	0	0	0	FCR_MASK_CAL [3:0]				0000h	
R3964 (F7Ch)	FCR_Mask_Register_2	0	0	0	0	0	0	0	0	0	0	0	FCR_MASK_IIR [3:0]				0000h	
R3965 (F7Dh)	FCR_Mask_Register_3	0	0	0	0	0	0	0	0	0	0	0	FCR_MASK_LFL [3:0]				0000h	
R3968 (F80h)	FCR_IIR_PF_1	0	0	0	0	0	0	0	FCR_IIR_PF_BP [8:0]							0000h		
R3969 (F81h)	FCR_IIR_PF_2	0	0	0	0	0	0	0	0	0	FCR_IIR_PF_BPS [5:0]						0000h	
R3972 (F84h)	FCR_IIR_PF4_1_1	0	0	0	0	0	0	0	FCR_IIR_PF4_B1 [8:0]							0000h		
R3973 (F85h)	FCR_IIR_PF4_1_2	0	0	0	0	0	0	0	0	0	FCR_IIR_PF4_BS1 [5:0]						0000h	
R3975 (F87h)	FCR_IIR_PF4_2_1	0	0	0	0	0	0	0	FCR_IIR_PF4_B0 [8:0]							0000h		
R3976 (F88h)	FCR_IIR_PF4_2_2	0	0	0	0	0	0	0	0	0	FCR_IIR_PF4_BS0 [5:0]						0000h	
R3977 (F89h)	FCR_IIR_PF4_3_1	0	0	0	0	0	0	0	FCR_IIR_PF4_H1 [7:0]							0000h		
R3978 (F8Ah)	FCR_IIR_PF4_3_2	0	0	0	0	0	0	0	0	0	FCR_IIR_PF4_HS1 [5:0]						0000h	
R3979 (F8Bh)	FCR_IIR_PF4_4_1	0	0	0	0	0	0	0	FCR_IIR_PF4_H0 [7:0]							0000h		
R3980 (F8Ch)	FCR_IIR_PF4_4_2	0	0	0	0	0	0	0	0	0	FCR_IIR_PF4_HS0 [5:0]						0000h	
R3982 (F8Eh)	FCR_IIR_PF3_1_1	0	0	0	0	0	0	0	FCR_IIR_PF3_B1 [8:0]							0000h		
R3983 (F8Fh)	FCR_IIR_PF3_1_2	0	0	0	0	0	0	0	0	0	FCR_IIR_PF3_BS1 [5:0]						0000h	
R3985 (F91h)	FCR_IIR_PF3_2_1	0	0	0	0	0	0	0	FCR_IIR_PF3_B0 [8:0]							0000h		

Table 6-1. Register Map Definition—16-bit region (Cont.)

Register	Name	15	14	13	12	11	10	9	8	7	6	5	4	3	2	1	0	Default
R3986 (F92h)	FCR_IIR_PF3_2_2	0	0	0	0	0	0	0	0	0	0	FCR_IIR_PF3_BS0 [5:0]					0000h	
R3987 (F93h)	FCR_IIR_PF3_3_1	0	0	0	0	0	0	0	0	FCR_IIR_PF3_H1 [7:0]					0000h			
R3988 (F94h)	FCR_IIR_PF3_3_2	0	0	0	0	0	0	0	0	0	0	FCR_IIR_PF3_HS1 [5:0]					0000h	
R3989 (F95h)	FCR_IIR_PF3_4_1	0	0	0	0	0	0	0	0	FCR_IIR_PF3_H0 [7:0]					0000h			
R3990 (F96h)	FCR_IIR_PF3_4_2	0	0	0	0	0	0	0	0	0	0	FCR_IIR_PF3_HS0 [5:0]					0000h	
R3992 (F98h)	FCR_IIR_PF2_1_1	0	0	0	0	0	0	0	FCR_IIR_PF2_B1 [8:0]					0000h				
R3993 (F99h)	FCR_IIR_PF2_1_2	0	0	0	0	0	0	0	0	0	0	FCR_IIR_PF2_BS1 [5:0]					0000h	
R3995 (F9Bh)	FCR_IIR_PF2_2_1	0	0	0	0	0	0	0	FCR_IIR_PF2_B0 [8:0]					0000h				
R3996 (F9Ch)	FCR_IIR_PF2_2_2	0	0	0	0	0	0	0	0	0	0	FCR_IIR_PF2_BS0 [5:0]					0000h	
R3997 (F9Dh)	FCR_IIR_PF2_3_1	0	0	0	0	0	0	0	FCR_IIR_PF2_H1 [7:0]					0000h				
R3998 (F9Eh)	FCR_IIR_PF2_3_2	0	0	0	0	0	0	0	0	0	0	FCR_IIR_PF2_HS1 [5:0]					0000h	
R3999 (F9Fh)	FCR_IIR_PF2_4_1	0	0	0	0	0	0	0	FCR_IIR_PF2_H0 [7:0]					0000h				
R4000 (FA0h)	FCR_IIR_PF2_4_2	0	0	0	0	0	0	0	0	0	0	FCR_IIR_PF2_HS0 [5:0]					0000h	
R4002 (FA2h)	FCR_IIR_PF1_1_1	0	0	0	0	0	0	0	FCR_IIR_PF1_B1 [8:0]					0000h				
R4003 (FA3h)	FCR_IIR_PF1_1_2	0	0	0	0	0	0	0	0	0	0	FCR_IIR_PF1_BS1 [5:0]					0000h	
R4005 (FA5h)	FCR_IIR_PF1_2_1	0	0	0	0	0	0	0	FCR_IIR_PF1_B0 [8:0]					0000h				
R4006 (FA6h)	FCR_IIR_PF1_2_2	0	0	0	0	0	0	0	0	0	0	FCR_IIR_PF1_BS0 [5:0]					0000h	
R4007 (FA7h)	FCR_IIR_PF1_3_1	0	0	0	0	0	0	0	FCR_IIR_PF1_H1 [7:0]					0000h				
R4008 (FA8h)	FCR_IIR_PF1_3_2	0	0	0	0	0	0	0	0	0	0	FCR_IIR_PF1_HS1 [5:0]					0000h	
R4009 (FA9h)	FCR_IIR_PF1_4_1	0	0	0	0	0	0	0	FCR_IIR_PF1_H0 [7:0]					0000h				
R4010 (FAAh)	FCR_IIR_PF1_4_2	0	0	0	0	0	0	0	0	0	0	FCR_IIR_PF1_HS0 [5:0]					0000h	
R4012 (FACh)	FCR_IIR_PF0_1_1	0	0	0	0	0	0	0	FCR_IIR_PF0_B1 [8:0]					0000h				
R4013 (FADh)	FCR_IIR_PF0_1_2	0	0	0	0	0	0	0	0	0	0	FCR_IIR_PF0_BS1 [5:0]					0000h	
R4015 (FAFh)	FCR_IIR_PF0_2_1	0	0	0	0	0	0	0	FCR_IIR_PF0_B0 [8:0]					0000h				
R4016 (FB0h)	FCR_IIR_PF0_2_2	0	0	0	0	0	0	0	0	0	0	FCR_IIR_PF0_BS0 [5:0]					0000h	
R4017 (FB1h)	FCR_IIR_PF0_3_1	0	0	0	0	0	0	0	FCR_IIR_PF0_H1 [7:0]					0000h				
R4018 (FB2h)	FCR_IIR_PF0_3_2	0	0	0	0	0	0	0	0	0	0	FCR_IIR_PF0_HS1 [5:0]					0000h	
R4019 (FB3h)	FCR_IIR_PF0_4_1	0	0	0	0	0	0	0	FCR_IIR_PF0_H0 [7:0]					0000h				
R4020 (FB4h)	FCR_IIR_PF0_4_2	0	0	0	0	0	0	0	0	0	0	FCR_IIR_PF0_HS0 [5:0]					0000h	
R4023 (FB7h)	FCR_FB_MASK_1	0	0	0	0	0	0	0	0	0	0	0	FCR_IIR_PF_ENA [4:0]					0000h
R4024 (FB8h)	FCR_FB_MASK_2	0	0	0	0	0	0	0	FCR_IIR_FB_MASK [7:0]					0000h				
R4027 (FBBh)	FCR_LFL_HP_LP_config	0	0	0	0	0	0	0	FCR_LFL_HP_LP_COEFF_SHIFT [3:0]			0	FCR_LFL_HP_LP_COEFF_MUL [2:0]			0000h		
R4028 (FBCh)	FCR_LFL_HP_config	0	0	0	0	0	0	0	FCR_LFL_HP_COEFF_SHIFT [3:0]			0	FCR_LFL_HP_COEFF_MUL [2:0]			0000h		
R4029 (FBDh)	FCR_LFL_LP_config	0	0	0	0	0	0	0	FCR_LFL_LP_COEFF_SHIFT [3:0]			0	FCR_LFL_LP_COEFF_MUL [2:0]			0000h		
R4030 (FBEh)	FCR_LFL_threshold_1	0	0	0	0	0	0	0	FCR_LFL_THRESHOLD [7:0]					0000h				
R4031 (FBFh)	FCR_LFL_threshold_2	0	0	0	0	0	0	0	FCR_LFL_GAIN [7:0]					0000h				
R4032 (FC0h)	FCR_LFL_debug	0	0	0	0	0	0	0	0	0	0	FCR_T_LFL_LP_OFFSET_BYP	FCR_T_LFL_LP_OFFSET_BYP	FCR_T_LFL_HP_OFFSET_BYP	FCR_T_LFL_HP_OFFSET_BYP	FCR_T_LFL_LP_OFFSET_BYP	FCR_T_LFL_HP_OFFSET_BYP	0000h

Table 6-1. Register Map Definition—16-bit region (Cont.)

Register	Name	15	14	13	12	11	10	9	8	7	6	5	4	3	2	1	0	Default
R4033 (FC1h)	FCR_SLIM_Linear_Region	0	0	0	0	0	0	0	0	FCR_SLIM_LINEAR [7:0]								0000h
R4034 (FC2h)	FCR_SLIM_Node_0	0	0	0	0	0	0	0	0	FCR_SLIM_NODE0 [7:0]								0000h
R4035 (FC3h)	FCR_SLIM_Node_1	0	0	0	0	0	0	0	0	FCR_SLIM_NODE1 [7:0]								0000h
R4036 (FC4h)	FCR_SLIM_Node_2	0	0	0	0	0	0	0	0	FCR_SLIM_NODE2 [7:0]								0000h
R4037 (FC5h)	FCR_SLIM_Node_3	0	0	0	0	0	0	0	0	FCR_SLIM_NODE3 [7:0]								0000h
R5248 (1480h)	DFC1_CTRL_W0	0	0	0	0	0	0	0	0	0	0	DFC1_RATE [3:0]			DFC1_DITH_ENA	DFC1_ENA	0000h	
R5250 (1482h)	DFC1_RX_W0	0	0	0	DFC1_RX_DATA_WIDTH [4:0]				0	0	0	0	0	DFC1_RX_DATA_TYPE [2:0]			1F00h	
R5252 (1484h)	DFC1_TX_W0	0	0	0	DFC1_TX_DATA_WIDTH [4:0]				0	0	0	0	0	DFC1_TX_DATA_TYPE [2:0]			1F00h	
R5254 (1486h)	DFC2_CTRL_W0	0	0	0	0	0	0	0	0	0	0	DFC2_RATE [3:0]			DFC2_DITH_ENA	DFC2_ENA	0000h	
R5256 (1488h)	DFC2_RX_W0	0	0	0	DFC2_RX_DATA_WIDTH [4:0]				0	0	0	0	0	DFC2_RX_DATA_TYPE [2:0]			1F00h	
R5258 (148Ah)	DFC2_TX_W0	0	0	0	DFC2_TX_DATA_WIDTH [4:0]				0	0	0	0	0	DFC2_TX_DATA_TYPE [2:0]			1F00h	
R5260 (148Ch)	DFC3_CTRL_W0	0	0	0	0	0	0	0	0	0	0	DFC3_RATE [3:0]			DFC3_DITH_ENA	DFC3_ENA	0000h	
R5262 (148Eh)	DFC3_RX_W0	0	0	0	DFC3_RX_DATA_WIDTH [4:0]				0	0	0	0	0	DFC3_RX_DATA_TYPE [2:0]			1F00h	
R5264 (1490h)	DFC3_TX_W0	0	0	0	DFC3_TX_DATA_WIDTH [4:0]				0	0	0	0	0	DFC3_TX_DATA_TYPE [2:0]			1F00h	
R5266 (1492h)	DFC4_CTRL_W0	0	0	0	0	0	0	0	0	0	0	DFC4_RATE [3:0]			DFC4_DITH_ENA	DFC4_ENA	0000h	
R5268 (1494h)	DFC4_RX_W0	0	0	0	DFC4_RX_DATA_WIDTH [4:0]				0	0	0	0	0	DFC4_RX_DATA_TYPE [2:0]			1F00h	
R5270 (1496h)	DFC4_TX_W0	0	0	0	DFC4_TX_DATA_WIDTH [4:0]				0	0	0	0	0	DFC4_TX_DATA_TYPE [2:0]			1F00h	
R5272 (1498h)	DFC5_CTRL_W0	0	0	0	0	0	0	0	0	0	0	DFC5_RATE [3:0]			DFC5_DITH_ENA	DFC5_ENA	0000h	
R5274 (149Ah)	DFC5_RX_W0	0	0	0	DFC5_RX_DATA_WIDTH [4:0]				0	0	0	0	0	DFC5_RX_DATA_TYPE [2:0]			1F00h	
R5276 (149Ch)	DFC5_TX_W0	0	0	0	DFC5_TX_DATA_WIDTH [4:0]				0	0	0	0	0	DFC5_TX_DATA_TYPE [2:0]			1F00h	
R5278 (149Eh)	DFC6_CTRL_W0	0	0	0	0	0	0	0	0	0	0	DFC6_RATE [3:0]			DFC6_DITH_ENA	DFC6_ENA	0000h	
R5280 (14A0h)	DFC6_RX_W0	0	0	0	DFC6_RX_DATA_WIDTH [4:0]				0	0	0	0	0	DFC6_RX_DATA_TYPE [2:0]			1F00h	
R5282 (14A2h)	DFC6_TX_W0	0	0	0	DFC6_TX_DATA_WIDTH [4:0]				0	0	0	0	0	DFC6_TX_DATA_TYPE [2:0]			1F00h	
R5284 (14A4h)	DFC7_CTRL_W0	0	0	0	0	0	0	0	0	0	0	DFC7_RATE [3:0]			DFC7_DITH_ENA	DFC7_ENA	0000h	
R5286 (14A6h)	DFC7_RX_W0	0	0	0	DFC7_RX_DATA_WIDTH [4:0]				0	0	0	0	0	DFC7_RX_DATA_TYPE [2:0]			1F00h	
R5288 (14A8h)	DFC7_TX_W0	0	0	0	DFC7_TX_DATA_WIDTH [4:0]				0	0	0	0	0	DFC7_TX_DATA_TYPE [2:0]			1F00h	
R5290 (14AAh)	DFC8_CTRL_W0	0	0	0	0	0	0	0	0	0	0	DFC8_RATE [3:0]			DFC8_DITH_ENA	DFC8_ENA	0000h	
R5292 (14ACh)	DFC8_RX_W0	0	0	0	DFC8_RX_DATA_WIDTH [4:0]				0	0	0	0	0	DFC8_RX_DATA_TYPE [2:0]			1F00h	
R5294 (14AEh)	DFC8_TX_W0	0	0	0	DFC8_TX_DATA_WIDTH [4:0]				0	0	0	0	0	DFC8_TX_DATA_TYPE [2:0]			1F00h	
R5302 (14B0h)	DFC_STATUS_W0	0	0	0	0	0	0	0	0	DFC_ERR_CHAN [7:0]								0000h
R5632 (1600h)	ADSP2_IRQ0	0	0	0	0	0	0	0	0	0	0	0	0	0	0	DSP_IRQ2	DSP_IRQ1	0000h
R5633 (1601h)	ADSP2_IRQ1	0	0	0	0	0	0	0	0	0	0	0	0	0	0	DSP_IRQ4	DSP_IRQ3	0000h
R5634 (1602h)	ADSP2_IRQ2	0	0	0	0	0	0	0	0	0	0	0	0	0	0	DSP_IRQ6	DSP_IRQ5	0000h
R5635 (1603h)	ADSP2_IRQ3	0	0	0	0	0	0	0	0	0	0	0	0	0	0	DSP_IRQ8	DSP_IRQ7	0000h
R5636 (1604h)	ADSP2_IRQ4	0	0	0	0	0	0	0	0	0	0	0	0	0	0	DSP_IRQ10	DSP_IRQ9	0000h
R5637 (1605h)	ADSP2_IRQ5	0	0	0	0	0	0	0	0	0	0	0	0	0	0	DSP_IRQ12	DSP_IRQ11	0000h
R5638 (1606h)	ADSP2_IRQ6	0	0	0	0	0	0	0	0	0	0	0	0	0	0	DSP_IRQ14	DSP_IRQ13	0000h
R5639 (1607h)	ADSP2_IRQ7	0	0	0	0	0	0	0	0	0	0	0	0	0	0	DSP_IRQ16	DSP_IRQ15	0000h

Table 6-1. Register Map Definition—16-bit region (Cont.)

Register	Name	15	14	13	12	11	10	9	8	7	6	5	4	3	2	1	0	Default	
R5888 (1700h)	GPIO1_CTRL_1	GP1_LVL	GP1_OP_CFG	GP1_DB	GP1_POL	0	0	GP1_FN [9:0]										2001h	
R5889 (1701h)	GPIO1_CTRL_2	GP1_DIR	GP1_PU	GP1_PD	GP1_DRV_STR	0	0	0	0	0	0	0	0	0	0	0	0	0	F000h
R5890 (1702h)	GPIO2_CTRL_1	GP2_LVL	GP2_OP_CFG	GP2_DB	GP2_POL	0	0	GP2_FN [9:0]										2001h	
R5891 (1703h)	GPIO2_CTRL_2	GP2_DIR	GP2_PU	GP2_PD	GP2_DRV_STR	0	0	0	0	0	0	0	0	0	0	0	0	0	F000h
R5892 (1704h)	GPIO3_CTRL_1	GP3_LVL	GP3_OP_CFG	GP3_DB	GP3_POL	0	0	GP3_FN [9:0]										2001h	
R5893 (1705h)	GPIO3_CTRL_2	GP3_DIR	GP3_PU	GP3_PD	GP3_DRV_STR	0	0	0	0	0	0	0	0	0	0	0	0	0	F000h
R5894 (1706h)	GPIO4_CTRL_1	GP4_LVL	GP4_OP_CFG	GP4_DB	GP4_POL	0	0	GP4_FN [9:0]										2001h	
R5895 (1707h)	GPIO4_CTRL_2	GP4_DIR	GP4_PU	GP4_PD	GP4_DRV_STR	0	0	0	0	0	0	0	0	0	0	0	0	0	F000h
R5896 (1708h)	GPIO5_CTRL_1	GP5_LVL	GP5_OP_CFG	GP5_DB	GP5_POL	0	0	GP5_FN [9:0]										2001h	
R5897 (1709h)	GPIO5_CTRL_2	GP5_DIR	GP5_PU	GP5_PD	GP5_DRV_STR	0	0	0	0	0	0	0	0	0	0	0	0	0	F000h
R5898 (170Ah)	GPIO6_CTRL_1	GP6_LVL	GP6_OP_CFG	GP6_DB	GP6_POL	0	0	GP6_FN [9:0]										2001h	
R5899 (170Bh)	GPIO6_CTRL_2	GP6_DIR	GP6_PU	GP6_PD	GP6_DRV_STR	0	0	0	0	0	0	0	0	0	0	0	0	0	F000h
R5900 (170Ch)	GPIO7_CTRL_1	GP7_LVL	GP7_OP_CFG	GP7_DB	GP7_POL	0	0	GP7_FN [9:0]										2001h	
R5901 (170Dh)	GPIO7_CTRL_2	GP7_DIR	GP7_PU	GP7_PD	GP7_DRV_STR	0	0	0	0	0	0	0	0	0	0	0	0	0	F000h
R5902 (170Eh)	GPIO8_CTRL_1	GP8_LVL	GP8_OP_CFG	GP8_DB	GP8_POL	0	0	GP8_FN [9:0]										2001h	
R5903 (170Fh)	GPIO8_CTRL_2	GP8_DIR	GP8_PU	GP8_PD	GP8_DRV_STR	0	0	0	0	0	0	0	0	0	0	0	0	0	F000h
R5904 (1710h)	GPIO9_CTRL_1	GP9_LVL	GP9_OP_CFG	GP9_DB	GP9_POL	0	0	GP9_FN [9:0]										2001h	
R5905 (1711h)	GPIO9_CTRL_2	GP9_DIR	GP9_PU	GP9_PD	GP9_DRV_STR	0	0	0	0	0	0	0	0	0	0	0	0	0	F000h
R5906 (1712h)	GPIO10_CTRL_1	GP10_LVL	GP10_OP_CFG	GP10_DB	GP10_POL	0	0	GP10_FN [9:0]										2001h	
R5907 (1713h)	GPIO10_CTRL_2	GP10_DIR	GP10_PU	GP10_PD	GP10_DRV_STR	0	0	0	0	0	0	0	0	0	0	0	0	0	F000h
R5908 (1714h)	GPIO11_CTRL_1	GP11_LVL	GP11_OP_CFG	GP11_DB	GP11_POL	0	0	GP11_FN [9:0]										2001h	
R5909 (1715h)	GPIO11_CTRL_2	GP11_DIR	GP11_PU	GP11_PD	GP11_DRV_STR	0	0	0	0	0	0	0	0	0	0	0	0	0	F000h
R5910 (1716h)	GPIO12_CTRL_1	GP12_LVL	GP12_OP_CFG	GP12_DB	GP12_POL	0	0	GP12_FN [9:0]										2001h	
R5911 (1717h)	GPIO12_CTRL_2	GP12_DIR	GP12_PU	GP12_PD	GP12_DRV_STR	0	0	0	0	0	0	0	0	0	0	0	0	0	F000h
R5912 (1718h)	GPIO13_CTRL_1	GP13_LVL	GP13_OP_CFG	GP13_DB	GP13_POL	0	0	GP13_FN [9:0]										2001h	
R5913 (1719h)	GPIO13_CTRL_2	GP13_DIR	GP13_PU	GP13_PD	GP13_DRV_STR	0	0	0	0	0	0	0	0	0	0	0	0	0	F000h
R5914 (171Ah)	GPIO14_CTRL_1	GP14_LVL	GP14_OP_CFG	GP14_DB	GP14_POL	0	0	GP14_FN [9:0]										2001h	
R5915 (171Bh)	GPIO14_CTRL_2	GP14_DIR	GP14_PU	GP14_PD	GP14_DRV_STR	0	0	0	0	0	0	0	0	0	0	0	0	0	F000h
R5916 (171Ch)	GPIO15_CTRL_1	GP15_LVL	GP15_OP_CFG	GP15_DB	GP15_POL	0	0	GP15_FN [9:0]										2001h	
R5917 (171Dh)	GPIO15_CTRL_2	GP15_DIR	GP15_PU	GP15_PD	GP15_DRV_STR	0	0	0	0	0	0	0	0	0	0	0	0	0	F000h
R5918 (171Eh)	GPIO16_CTRL_1	GP16_LVL	GP16_OP_CFG	GP16_DB	GP16_POL	0	0	GP16_FN [9:0]										2001h	
R5919 (171Fh)	GPIO16_CTRL_2	GP16_DIR	GP16_PU	GP16_PD	GP16_DRV_STR	0	0	0	0	0	0	0	0	0	0	0	0	0	F000h
R5920 (1720h)	GPIO17_CTRL_1	GP17_LVL	GP17_OP_CFG	GP17_DB	GP17_POL	0	0	GP17_FN [9:0]										2001h	
R5921 (1721h)	GPIO17_CTRL_2	GP17_DIR	GP17_PU	GP17_PD	GP17_DRV_STR	0	0	0	0	0	0	0	0	0	0	0	0	0	F000h
R5922 (1722h)	GPIO18_CTRL_1	GP18_LVL	GP18_OP_CFG	GP18_DB	GP18_POL	0	0	GP18_FN [9:0]										2001h	
R5923 (1723h)	GPIO18_CTRL_2	GP18_DIR	GP18_PU	GP18_PD	GP18_DRV_STR	0	0	0	0	0	0	0	0	0	0	0	0	0	F000h
R5924 (1724h)	GPIO19_CTRL_1	GP19_LVL	GP19_OP_CFG	GP19_DB	GP19_POL	0	0	GP19_FN [9:0]										2001h	
R5925 (1725h)	GPIO19_CTRL_2	GP19_DIR	GP19_PU	GP19_PD	GP19_DRV_STR	0	0	0	0	0	0	0	0	0	0	0	0	0	F000h

Table 6-1. Register Map Definition—16-bit region (Cont.)

Register	Name	15	14	13	12	11	10	9	8	7	6	5	4	3	2	1	0	Default
R5926 (1726h)	GPIO20_CTRL_1	GP20_LVL	GP20_OP_CFG	GP20_DB	GP20_POL	0	0	GP20_FN [9:0]										2001h
R5927 (1727h)	GPIO20_CTRL_2	GP20_DIR	GP20_PU	GP20_PD	GP20_DRV_STR	0	0	0	0	0	0	0	0	0	0	0	0	F000h
R5928 (1728h)	GPIO21_CTRL_1	GP21_LVL	GP21_OP_CFG	GP21_DB	GP21_POL	0	0	GP21_FN [9:0]										2001h
R5929 (1729h)	GPIO21_CTRL_2	GP21_DIR	GP21_PU	GP21_PD	GP21_DRV_STR	0	0	0	0	0	0	0	0	0	0	0	0	F000h
R5930 (172Ah)	GPIO22_CTRL_1	GP22_LVL	GP22_OP_CFG	GP22_DB	GP22_POL	0	0	GP22_FN [9:0]										2001h
R5931 (172Bh)	GPIO22_CTRL_2	GP22_DIR	GP22_PU	GP22_PD	GP22_DRV_STR	0	0	0	0	0	0	0	0	0	0	0	0	F000h
R5932 (172Ch)	GPIO23_CTRL_1	GP23_LVL	GP23_OP_CFG	GP23_DB	GP23_POL	0	0	GP23_FN [9:0]										2001h
R5933 (172Dh)	GPIO23_CTRL_2	GP23_DIR	GP23_PU	GP23_PD	GP23_DRV_STR	0	0	0	0	0	0	0	0	0	0	0	0	F000h
R5934 (172Eh)	GPIO24_CTRL_1	GP24_LVL	GP24_OP_CFG	GP24_DB	GP24_POL	0	0	GP24_FN [9:0]										2001h
R5935 (172Fh)	GPIO24_CTRL_2	GP24_DIR	GP24_PU	GP24_PD	GP24_DRV_STR	0	0	0	0	0	0	0	0	0	0	0	0	F000h
R5936 (1730h)	GPIO25_CTRL_1	GP25_LVL	GP25_OP_CFG	GP25_DB	GP25_POL	0	0	GP25_FN [9:0]										2001h
R5937 (1731h)	GPIO25_CTRL_2	GP25_DIR	GP25_PU	GP25_PD	GP25_DRV_STR	0	0	0	0	0	0	0	0	0	0	0	0	F000h
R5938 (1732h)	GPIO26_CTRL_1	GP26_LVL	GP26_OP_CFG	GP26_DB	GP26_POL	0	0	GP26_FN [9:0]										2001h
R5939 (1733h)	GPIO26_CTRL_2	GP26_DIR	GP26_PU	GP26_PD	GP26_DRV_STR	0	0	0	0	0	0	0	0	0	0	0	0	F000h
R5940 (1734h)	GPIO27_CTRL_1	GP27_LVL	GP27_OP_CFG	GP27_DB	GP27_POL	0	0	GP27_FN [9:0]										2001h
R5941 (1735h)	GPIO27_CTRL_2	GP27_DIR	GP27_PU	GP27_PD	GP27_DRV_STR	0	0	0	0	0	0	0	0	0	0	0	0	F000h
R5942 (1736h)	GPIO28_CTRL_1	GP28_LVL	GP28_OP_CFG	GP28_DB	GP28_POL	0	0	GP28_FN [9:0]										2001h
R5943 (1737h)	GPIO28_CTRL_2	GP28_DIR	GP28_PU	GP28_PD	GP28_DRV_STR	0	0	0	0	0	0	0	0	0	0	0	0	F000h
R5944 (1738h)	GPIO29_CTRL_1	GP29_LVL	GP29_OP_CFG	GP29_DB	GP29_POL	0	0	GP29_FN [9:0]										2001h
R5945 (1739h)	GPIO29_CTRL_2	GP29_DIR	GP29_PU	GP29_PD	GP29_DRV_STR	0	0	0	0	0	0	0	0	0	0	0	0	F000h
R5946 (173Ah)	GPIO30_CTRL_1	GP30_LVL	GP30_OP_CFG	GP30_DB	GP30_POL	0	0	GP30_FN [9:0]										2001h
R5947 (173Bh)	GPIO30_CTRL_2	GP30_DIR	GP30_PU	GP30_PD	GP30_DRV_STR	0	0	0	0	0	0	0	0	0	0	0	0	F000h
R5948 (173Ch)	GPIO31_CTRL_1	GP31_LVL	GP31_OP_CFG	GP31_DB	GP31_POL	0	0	GP31_FN [9:0]										2001h
R5949 (173Dh)	GPIO31_CTRL_2	GP31_DIR	GP31_PU	GP31_PD	GP31_DRV_STR	0	0	0	0	0	0	0	0	0	0	0	0	F000h
R5950 (173Eh)	GPIO32_CTRL_1	GP32_LVL	GP32_OP_CFG	GP32_DB	GP32_POL	0	0	GP32_FN [9:0]										2001h
R5951 (173Fh)	GPIO32_CTRL_2	GP32_DIR	GP32_PU	GP32_PD	GP32_DRV_STR	0	0	0	0	0	0	0	0	0	0	0	0	F000h
R5952 (1740h)	GPIO33_CTRL_1	GP33_LVL	GP33_OP_CFG	GP33_DB	GP33_POL	0	0	GP33_FN [9:0]										2001h
R5953 (1741h)	GPIO33_CTRL_2	GP33_DIR	GP33_PU	GP33_PD	GP33_DRV_STR	0	0	0	0	0	0	0	0	0	0	0	0	F000h
R5954 (1742h)	GPIO34_CTRL_1	GP34_LVL	GP34_OP_CFG	GP34_DB	GP34_POL	0	0	GP34_FN [9:0]										2001h
R5955 (1743h)	GPIO34_CTRL_2	GP34_DIR	GP34_PU	GP34_PD	GP34_DRV_STR	0	0	0	0	0	0	0	0	0	0	0	0	F000h
R5956 (1744h)	GPIO35_CTRL_1	GP35_LVL	GP35_OP_CFG	GP35_DB	GP35_POL	0	0	GP35_FN [9:0]										2001h
R5957 (1745h)	GPIO35_CTRL_2	GP35_DIR	GP35_PU	GP35_PD	GP35_DRV_STR	0	0	0	0	0	0	0	0	0	0	0	0	F000h
R5958 (1746h)	GPIO36_CTRL_1	GP36_LVL	GP36_OP_CFG	GP36_DB	GP36_POL	0	0	GP36_FN [9:0]										2001h
R5959 (1747h)	GPIO36_CTRL_2	GP36_DIR	GP36_PU	GP36_PD	GP36_DRV_STR	0	0	0	0	0	0	0	0	0	0	0	0	F000h
R5960 (1748h)	GPIO37_CTRL_1	GP37_LVL	GP37_OP_CFG	GP37_DB	GP37_POL	0	0	GP37_FN [9:0]										2001h
R5961 (1749h)	GPIO37_CTRL_2	GP37_DIR	GP37_PU	GP37_PD	GP37_DRV_STR	0	0	0	0	0	0	0	0	0	0	0	0	F000h
R5962 (174Ah)	GPIO38_CTRL_1	GP38_LVL	GP38_OP_CFG	GP38_DB	GP38_POL	0	0	GP38_FN [9:0]										2001h
R5963 (174Bh)	GPIO38_CTRL_2	GP38_DIR	GP38_PU	GP38_PD	GP38_DRV_STR	0	0	0	0	0	0	0	0	0	0	0	0	F000h

Table 6-1. Register Map Definition—16-bit region (Cont.)

Register	Name	15	14	13	12	11	10	9	8	7	6	5	4	3	2	1	0	Default	
R6144 (1800h)	IRQ1_Status_1	DSP_SHARED_WR_COLL_EINT†	0	0	CTRLIF_ERR_EINT†	0	0	SYSCLK_FAIL_EINT†	0	BOOT_DONE_EINT†	0	0	0	0	0	0	0	0000h	
R6145 (1801h)	IRQ1_Status_2	0	0	0	0	FLL_AO_LOCK_EINT†	0	FLL2_LOCK_EINT†	FLL1_LOCK_EINT†	0	0	0	0	0	0	0	0	0000h	
R6149 (1805h)	IRQ1_Status_6	0	0	0	0	0	0	MICDET2_EINT1	MICDET1_EINT1	0	0	0	0	0	0	0	0	HPDET_EINT1	0000h
R6150 (1806h)	IRQ1_Status_7	0	0	0	0	0	0	0	0	0	0	MICD_CLAMP_FALL_EINT†	MICD_CLAMP_RISE_EINT†	JD2_FALL_EINT†	JD2_RISE_EINT†	JD1_FALL_EINT†	JD1_RISE_EINT†	0000h	
R6152 (1808h)	IRQ1_Status_9	0	0	0	0	ASRC2_IN2_LOCK_EINT†	ASRC2_IN1_LOCK_EINT†	ASRC1_IN2_LOCK_EINT†	ASRC1_IN1_LOCK_EINT†	0	0	0	0	0	0	0	DRC2_SIG_DET_EINT1	DRC1_SIG_DET_EINT1	0000h
R6154 (180Ah)	IRQ1_Status_11	DSP_IRQ16_EINT†	DSP_IRQ15_EINT†	DSP_IRQ14_EINT†	DSP_IRQ13_EINT†	DSP_IRQ12_EINT†	DSP_IRQ11_EINT†	DSP_IRQ10_EINT†	DSP_IRQ9_EINT†	DSP_IRQ8_EINT†	DSP_IRQ7_EINT†	DSP_IRQ6_EINT†	DSP_IRQ5_EINT†	DSP_IRQ4_EINT†	DSP_IRQ3_EINT†	DSP_IRQ2_EINT†	DSP_IRQ1_EINT†	0000h	
R6155 (180Bh)	IRQ1_Status_12	0	0	0	0	0	0	0	0	0	0	HP3R_SC_EINT1	HP3L_SC_EINT1	HP2R_SC_EINT1	HP2L_SC_EINT1	HP1R_SC_EINT1	HP1L_SC_EINT1	0000h	
R6156 (180Ch)	IRQ1_Status_13	0	0	0	0	0	0	0	0	0	0	HP3R_ENABLE_DONE_EINT†	HP3L_ENABLE_DONE_EINT†	HP2R_ENABLE_DONE_EINT†	HP2L_ENABLE_DONE_EINT†	HP1R_ENABLE_DONE_EINT†	HP1L_ENABLE_DONE_EINT†	0000h	
R6157 (180Dh)	IRQ1_Status_14	0	0	0	0	0	0	0	0	0	0	HP3R_DISABLE_DONE_EINT†	HP3L_DISABLE_DONE_EINT†	HP2R_DISABLE_DONE_EINT†	HP2L_DISABLE_DONE_EINT†	HP1R_DISABLE_DONE_EINT†	HP1L_DISABLE_DONE_EINT†	0000h	
R6160 (1810h)	IRQ1_Status_17	GP16_EINT†	GP15_EINT†	GP14_EINT†	GP13_EINT†	GP12_EINT†	GP11_EINT†	GP10_EINT†	GP9_EINT†	GP8_EINT†	GP7_EINT†	GP6_EINT†	GP5_EINT†	GP4_EINT†	GP3_EINT†	GP2_EINT†	GP1_EINT†	0000h	
R6161 (1811h)	IRQ1_Status_18	GP32_EINT†	GP31_EINT†	GP30_EINT†	GP29_EINT†	GP28_EINT†	GP27_EINT†	GP26_EINT†	GP25_EINT†	GP24_EINT†	GP23_EINT†	GP22_EINT†	GP21_EINT†	GP20_EINT†	GP19_EINT†	GP18_EINT†	GP17_EINT†	0000h	
R6162 (1812h)	IRQ1_Status_19	0	0	0	0	0	0	0	0	0	0	GP38_EINT†	GP37_EINT†	GP36_EINT†	GP35_EINT†	GP34_EINT†	GP33_EINT†	0000h	
R6164 (1814h)	IRQ1_Status_21	0	0	0	0	0	0	0	0	TIMER8_EINT1	TIMER7_EINT1	TIMER6_EINT1	TIMER5_EINT1	TIMER4_EINT1	TIMER3_EINT1	TIMER2_EINT1	TIMER1_EINT1	0000h	
R6165 (1815h)	IRQ1_Status_22	0	0	0	0	0	0	0	0	EVENT8_NOT_EMPTY_EINT1	EVENT7_NOT_EMPTY_EINT1	EVENT6_NOT_EMPTY_EINT1	EVENT5_NOT_EMPTY_EINT1	EVENT4_NOT_EMPTY_EINT1	EVENT3_NOT_EMPTY_EINT1	EVENT2_NOT_EMPTY_EINT1	EVENT1_NOT_EMPTY_EINT1	0000h	
R6166 (1816h)	IRQ1_Status_23	0	0	0	0	0	0	0	0	EVENT8_FULL_EINT†	EVENT7_FULL_EINT†	EVENT6_FULL_EINT†	EVENT5_FULL_EINT†	EVENT4_FULL_EINT†	EVENT3_FULL_EINT†	EVENT2_FULL_EINT†	EVENT1_FULL_EINT†	0000h	
R6167 (1817h)	IRQ1_Status_24	0	0	0	0	0	0	0	0	EVENT8_WMARK_EINT1	EVENT7_WMARK_EINT1	EVENT6_WMARK_EINT1	EVENT5_WMARK_EINT1	EVENT4_WMARK_EINT1	EVENT3_WMARK_EINT1	EVENT2_WMARK_EINT1	EVENT1_WMARK_EINT1	0000h	
R6168 (1818h)	IRQ1_Status_25	0	0	0	0	0	0	0	0	0	0	DSP7_DMA_EINT†	DSP6_DMA_EINT†	DSP5_DMA_EINT†	DSP4_DMA_EINT†	DSP3_DMA_EINT†	DSP2_DMA_EINT†	DSP1_DMA_EINT†	0000h
R6170 (181Ah)	IRQ1_Status_27	0	0	0	0	0	0	0	0	0	0	DSP7_START1_EINT1	DSP6_START1_EINT1	DSP5_START1_EINT1	DSP4_START1_EINT1	DSP3_START1_EINT1	DSP2_START1_EINT1	DSP1_START1_EINT1	0000h
R6171 (181Bh)	IRQ1_Status_28	0	0	0	0	0	0	0	0	0	0	DSP7_START2_EINT1	DSP6_START2_EINT1	DSP5_START2_EINT1	DSP4_START2_EINT1	DSP3_START2_EINT1	DSP2_START2_EINT1	DSP1_START2_EINT1	0000h
R6173 (181Dh)	IRQ1_Status_30	0	0	0	0	0	0	0	0	0	0	DSP7_BUSY_EINT†	DSP6_BUSY_EINT†	DSP5_BUSY_EINT†	DSP4_BUSY_EINT†	DSP3_BUSY_EINT†	DSP2_BUSY_EINT†	DSP1_BUSY_EINT†	0000h
R6174 (181Eh)	IRQ1_Status_31	0	0	0	0	0	0	0	0	0	0	0	0	0	MIF3_DONE_EINT1	MIF2_DONE_EINT1	MIF1_DONE_EINT1	0000h	
R6175 (181Fh)	IRQ1_Status_32	0	0	0	0	0	0	0	0	0	0	0	0	0	MIF3_BLOCK_EINT1	MIF2_BLOCK_EINT1	MIF1_BLOCK_EINT1	0000h	
R6208 (1840h)	IRQ1_Mask_1	IM_DSP_SHARED_WR_COLL_EINT†	0	0	IM_CTRLIF_ERR_EINT†	0	0	IM_SYSCLK_FAIL_EINT†	0	IM_BOOT_DONE_EINT†	0	0	0	0	0	0	0	9200h	
R6209 (1841h)	IRQ1_Mask_2	1	1	1	1	IM_FLL_AO_LOCK_EINT†	0	IM_FLL2_LOCK_EINT†	IM_FLL1_LOCK_EINT†	0	0	0	0	0	0	0	0	FB00h	
R6213 (1845h)	IRQ1_Mask_6	0	0	0	0	0	0	IM_MICDET2_EINT1	IM_MICDET1_EINT1	0	0	0	0	0	0	0	0	IM_HPDET_EINT1	0301h
R6214 (1846h)	IRQ1_Mask_7	0	0	0	0	0	0	0	0	0	0	IM_MICD_CLAMP_FALL_EINT†	IM_MICD_CLAMP_RISE_EINT†	IM_JD2_FALL_EINT†	IM_JD2_RISE_EINT†	IM_JD1_FALL_EINT†	IM_JD1_RISE_EINT†	003Fh	
R6216 (1848h)	IRQ1_Mask_9	0	0	0	0	IM_ASRC2_IN2_LOCK_EINT†	IM_ASRC2_IN1_LOCK_EINT†	IM_ASRC1_IN2_LOCK_EINT†	IM_ASRC1_IN1_LOCK_EINT†	0	0	0	0	0	1	IM_DRC2_SIG_DET_EINT1	IM_DRC1_SIG_DET_EINT1	0F07h	
R6218 (184Ah)	IRQ1_Mask_11	IM_DSP_IRQ16_EINT†	IM_DSP_IRQ15_EINT†	IM_DSP_IRQ14_EINT†	IM_DSP_IRQ13_EINT†	IM_DSP_IRQ12_EINT†	IM_DSP_IRQ11_EINT†	IM_DSP_IRQ10_EINT†	IM_DSP_IRQ9_EINT†	IM_DSP_IRQ8_EINT†	IM_DSP_IRQ7_EINT†	IM_DSP_IRQ6_EINT†	IM_DSP_IRQ5_EINT†	IM_DSP_IRQ4_EINT†	IM_DSP_IRQ3_EINT†	IM_DSP_IRQ2_EINT†	IM_DSP_IRQ1_EINT†	FFFFh	

Table 6-1. Register Map Definition—16-bit region (Cont.)

Register	Name	15	14	13	12	11	10	9	8	7	6	5	4	3	2	1	0	Default		
R6219 (184Bh)	IRQ1_Mask_12	0	0	0	0	0	0	0	0	0	0	IM_HP3R_SC_EINT1	IM_HP3L_SC_EINT1	IM_HP2R_SC_EINT1	IM_HP2L_SC_EINT1	IM_HP1R_SC_EINT1	IM_HP1L_SC_EINT1	003Fh		
R6220 (184Ch)	IRQ1_Mask_13	0	0	0	0	0	0	0	0	0	0	IM_HP3R_ENABLE_DONE_EINT1	IM_HP3L_ENABLE_DONE_EINT1	IM_HP2R_ENABLE_DONE_EINT1	IM_HP2L_ENABLE_DONE_EINT1	IM_HP1R_ENABLE_DONE_EINT1	IM_HP1L_ENABLE_DONE_EINT1	003Fh		
R6221 (184Dh)	IRQ1_Mask_14	0	0	0	0	0	0	0	0	0	0	IM_HP3R_DISABLE_DONE_EINT1	IM_HP3L_DISABLE_DONE_EINT1	IM_HP2R_DISABLE_DONE_EINT1	IM_HP2L_DISABLE_DONE_EINT1	IM_HP1R_DISABLE_DONE_EINT1	IM_HP1L_DISABLE_DONE_EINT1	003Fh		
R6224 (1850h)	IRQ1_Mask_17	IM_GP16_EINT1	IM_GP15_EINT1	IM_GP14_EINT1	IM_GP13_EINT1	IM_GP12_EINT1	IM_GP11_EINT1	IM_GP10_EINT1	IM_GP9_EINT1	IM_GP8_EINT1	IM_GP7_EINT1	IM_GP6_EINT1	IM_GP5_EINT1	IM_GP4_EINT1	IM_GP3_EINT1	IM_GP2_EINT1	IM_GP1_EINT1	FFFFh		
R6225 (1851h)	IRQ1_Mask_18	IM_GP32_EINT1	IM_GP31_EINT1	IM_GP30_EINT1	IM_GP29_EINT1	IM_GP28_EINT1	IM_GP27_EINT1	IM_GP26_EINT1	IM_GP25_EINT1	IM_GP24_EINT1	IM_GP23_EINT1	IM_GP22_EINT1	IM_GP21_EINT1	IM_GP20_EINT1	IM_GP19_EINT1	IM_GP18_EINT1	IM_GP17_EINT1	FFFFh		
R6226 (1852h)	IRQ1_Mask_19	0	0	0	0	0	0	0	0	0	0	IM_GP38_EINT1	IM_GP37_EINT1	IM_GP36_EINT1	IM_GP35_EINT1	IM_GP34_EINT1	IM_GP33_EINT1	003Fh		
R6228 (1854h)	IRQ1_Mask_21	0	0	0	0	0	0	0	0	IM_TIMER8_EINT1	IM_TIMER7_EINT1	IM_TIMER6_EINT1	IM_TIMER5_EINT1	IM_TIMER4_EINT1	IM_TIMER3_EINT1	IM_TIMER2_EINT1	IM_TIMER1_EINT1	00FFh		
R6229 (1855h)	IRQ1_Mask_22	0	0	0	0	0	0	0	0	IM_EVENT8_NOT_EMPTY_EINT1	IM_EVENT7_NOT_EMPTY_EINT1	IM_EVENT6_NOT_EMPTY_EINT1	IM_EVENT5_NOT_EMPTY_EINT1	IM_EVENT4_NOT_EMPTY_EINT1	IM_EVENT3_NOT_EMPTY_EINT1	IM_EVENT2_NOT_EMPTY_EINT1	IM_EVENT1_NOT_EMPTY_EINT1	00FFh		
R6230 (1856h)	IRQ1_Mask_23	0	0	0	0	0	0	0	0	IM_EVENT8_FULL_EINT1	IM_EVENT7_FULL_EINT1	IM_EVENT6_FULL_EINT1	IM_EVENT5_FULL_EINT1	IM_EVENT4_FULL_EINT1	IM_EVENT3_FULL_EINT1	IM_EVENT2_FULL_EINT1	IM_EVENT1_FULL_EINT1	00FFh		
R6231 (1857h)	IRQ1_Mask_24	0	0	0	0	0	0	0	0	IM_EVENT8_WMARK_EINT1	IM_EVENT7_WMARK_EINT1	IM_EVENT6_WMARK_EINT1	IM_EVENT5_WMARK_EINT1	IM_EVENT4_WMARK_EINT1	IM_EVENT3_WMARK_EINT1	IM_EVENT2_WMARK_EINT1	IM_EVENT1_WMARK_EINT1	00FFh		
R6232 (1858h)	IRQ1_Mask_25	0	0	0	0	0	0	0	0	0	IM_DSP7_DMA_EINT1	IM_DSP6_DMA_EINT1	IM_DSP5_DMA_EINT1	IM_DSP4_DMA_EINT1	IM_DSP3_DMA_EINT1	IM_DSP2_DMA_EINT1	IM_DSP1_DMA_EINT1	007Fh		
R6234 (185Ah)	IRQ1_Mask_27	0	0	0	0	0	0	0	0	0	0	IM_DSP7_START1_EINT1	IM_DSP6_START1_EINT1	IM_DSP5_START1_EINT1	IM_DSP4_START1_EINT1	IM_DSP3_START1_EINT1	IM_DSP2_START1_EINT1	IM_DSP1_START1_EINT1	007Fh	
R6235 (185Bh)	IRQ1_Mask_28	0	0	0	0	0	0	0	0	0	0	IM_DSP7_START2_EINT1	IM_DSP6_START2_EINT1	IM_DSP5_START2_EINT1	IM_DSP4_START2_EINT1	IM_DSP3_START2_EINT1	IM_DSP2_START2_EINT1	IM_DSP1_START2_EINT1	007Fh	
R6237 (185Dh)	IRQ1_Mask_30	0	0	0	0	0	0	0	0	0	0	IM_DSP7_BUSY_EINT1	IM_DSP6_BUSY_EINT1	IM_DSP5_BUSY_EINT1	IM_DSP4_BUSY_EINT1	IM_DSP3_BUSY_EINT1	IM_DSP2_BUSY_EINT1	IM_DSP1_BUSY_EINT1	007Fh	
R6238 (185Eh)	IRQ1_Mask_31	0	0	0	0	0	0	0	0	0	0	0	0	IM_MIF3_DONE_EINT1	IM_MIF2_DONE_EINT1	IM_MIF1_DONE_EINT1	0007h			
R6239 (185Fh)	IRQ1_Mask_32	0	0	0	0	0	0	0	0	0	0	0	0	IM_MIF3_BLOCK_EINT1	IM_MIF2_BLOCK_EINT1	IM_MIF1_BLOCK_EINT1	0007h			
R6272 (1880h)	IRQ1_Raw_Status_1	0	0	0	CTRLIF_ERR_STS1	0	0	0	0	BOOT_DONE_STS1	0	0	0	0	0	0	0	0000h		
R6273 (1881h)	IRQ1_Raw_Status_2	0	0	0	0	FLL_AO_LOCK_STS1	0	FLL2_LOCK_STS1	FLL1_LOCK_STS1	0	0	0	0	0	0	0	0	0000h		
R6278 (1886h)	IRQ1_Raw_Status_7	0	0	0	0	0	0	0	0	0	0	0	MICD_CLAMP_STS1	0	JD2_STS1	0	JD1_STS1	0000h		
R6280 (1888h)	IRQ1_Raw_Status_9	0	0	0	0	ASRC2_IN2_LOCK_STS1	ASRC2_IN1_LOCK_STS1	ASRC1_IN2_LOCK_STS1	ASRC1_IN1_LOCK_STS1	0	0	0	0	0	0	0	DRC2_SIG_DET_STS1	DRC1_SIG_DET_STS1	0000h	
R6283 (188Bh)	IRQ1_Raw_Status_12	0	0	0	0	0	0	0	0	0	0	HP3R_SC_STS1	HP3L_SC_STS1	HP2R_SC_STS1	HP2L_SC_STS1	HP1R_SC_STS1	HP1L_SC_STS1	0000h		
R6284 (188Ch)	IRQ1_Raw_Status_13	0	0	0	0	0	0	0	0	0	0	HP3R_ENABLE_DONE_STS1	HP3L_ENABLE_DONE_STS1	HP2R_ENABLE_DONE_STS1	HP2L_ENABLE_DONE_STS1	HP1R_ENABLE_DONE_STS1	HP1L_ENABLE_DONE_STS1	0000h		
R6285 (188Dh)	IRQ1_Raw_Status_14	0	0	0	0	0	0	0	0	0	0	HP3R_DISABLE_DONE_STS1	HP3L_DISABLE_DONE_STS1	HP2R_DISABLE_DONE_STS1	HP2L_DISABLE_DONE_STS1	HP1R_DISABLE_DONE_STS1	HP1L_DISABLE_DONE_STS1	0000h		
R6288 (1890h)	IRQ1_Raw_Status_17	GP16_STS1	GP15_STS1	GP14_STS1	GP13_STS1	GP12_STS1	GP11_STS1	GP10_STS1	GP9_STS1	GP8_STS1	GP7_STS1	GP6_STS1	GP5_STS1	GP4_STS1	GP3_STS1	GP2_STS1	GP1_STS1	0000h		
R6289 (1891h)	IRQ1_Raw_Status_18	GP32_STS1	GP31_STS1	GP30_STS1	GP29_STS1	GP28_STS1	GP27_STS1	GP26_STS1	GP25_STS1	GP24_STS1	GP23_STS1	GP22_STS1	GP21_STS1	GP20_STS1	GP19_STS1	GP18_STS1	GP17_STS1	0000h		
R6290 (1892h)	IRQ1_Raw_Status_19	0	0	0	0	0	0	0	0	0	0	GP38_STS1	GP37_STS1	GP36_STS1	GP35_STS1	GP34_STS1	GP33_STS1	0000h		
R6293 (1895h)	IRQ1_Raw_Status_22	0	0	0	0	0	0	0	0	EVENT8_NOT_EMPTY_STS1	EVENT7_NOT_EMPTY_STS1	EVENT6_NOT_EMPTY_STS1	EVENT5_NOT_EMPTY_STS1	EVENT4_NOT_EMPTY_STS1	EVENT3_NOT_EMPTY_STS1	EVENT2_NOT_EMPTY_STS1	EVENT1_NOT_EMPTY_STS1	0000h		
R6294 (1896h)	IRQ1_Raw_Status_23	0	0	0	0	0	0	0	0	0	0	EVENT8_FULL_STS1	EVENT7_FULL_STS1	EVENT6_FULL_STS1	EVENT5_FULL_STS1	EVENT4_FULL_STS1	EVENT3_FULL_STS1	EVENT2_FULL_STS1	EVENT1_FULL_STS1	0000h
R6295 (1897h)	IRQ1_Raw_Status_24	0	0	0	0	0	0	0	0	0	0	EVENT8_WMARK_STS1	EVENT7_WMARK_STS1	EVENT6_WMARK_STS1	EVENT5_WMARK_STS1	EVENT4_WMARK_STS1	EVENT3_WMARK_STS1	EVENT2_WMARK_STS1	EVENT1_WMARK_STS1	0000h
R6296 (1898h)	IRQ1_Raw_Status_25	0	0	0	0	0	0	0	0	0	0	DSP7_DMA_STS1	DSP6_DMA_STS1	DSP5_DMA_STS1	DSP4_DMA_STS1	DSP3_DMA_STS1	DSP2_DMA_STS1	0000h		

Table 6-1. Register Map Definition—16-bit region (Cont.)

Register	Name	15	14	13	12	11	10	9	8	7	6	5	4	3	2	1	0	Default	
R6301 (189Dh)	IRQ1_Raw_Status_30	0	0	0	0	0	0	0	0	0	DSP7_BUSY_STS†	DSP6_BUSY_STS†	DSP5_BUSY_STS†	DSP4_BUSY_STS†	DSP3_BUSY_STS†	DSP2_BUSY_STS†	DSP1_BUSY_STS†	0000h	
R6400 (1900h)	IRQ2_Status_1	DSP_SHARED_WR_COLL_EINT2	0	0	CTRLIF_ERR_EINT2	0	0	SYSCLK_FAIL_EINT2	0	BOOT_DONE_EINT2	0	0	0	0	0	0	0	0000h	
R6401 (1901h)	IRQ2_Status_2	0	0	0	0	FLL_AO_LOCK_EINT2	0	FLL2_LOCK_EINT2	FLL1_LOCK_EINT2	0	0	0	0	0	0	0	0	0000h	
R6405 (1905h)	IRQ2_Status_6	0	0	0	0	0	0	MICDET2_EINT2	MICDET1_EINT2	0	0	0	0	0	0	0	0	HPDET_EINT2	0000h
R6406 (1906h)	IRQ2_Status_7	0	0	0	0	0	0	0	0	0	0	MICD_CLAMP_FALL_EINT2	MICD_CLAMP_RISE_EINT2	JD2_FALL_EINT2	JD2_RISE_EINT2	JD1_FALL_EINT2	JD1_RISE_EINT2	0000h	
R6408 (1908h)	IRQ2_Status_9	0	0	0	0	ASRC2_IN2_LOCK_EINT2	ASRC2_IN1_LOCK_EINT2	ASRC1_IN2_LOCK_EINT2	ASRC1_IN1_LOCK_EINT2	0	0	0	0	0	0	0	DRC2_SIG_DET_EINT2	DRC1_SIG_DET_EINT2	0000h
R6410 (190Ah)	IRQ2_Status_11	DSP_IRQ16_EINT2	DSP_IRQ15_EINT2	DSP_IRQ14_EINT2	DSP_IRQ13_EINT2	DSP_IRQ12_EINT2	DSP_IRQ11_EINT2	DSP_IRQ10_EINT2	DSP_IRQ9_EINT2	DSP_IRQ8_EINT2	DSP_IRQ7_EINT2	DSP_IRQ6_EINT2	DSP_IRQ5_EINT2	DSP_IRQ4_EINT2	DSP_IRQ3_EINT2	DSP_IRQ2_EINT2	DSP_IRQ1_EINT2	0000h	
R6411 (190Bh)	IRQ2_Status_12	0	0	0	0	0	0	0	0	0	0	HP3R_SC_EINT2	HP3L_SC_EINT2	HP2R_SC_EINT2	HP2L_SC_EINT2	HP1R_SC_EINT2	HP1L_SC_EINT2	0000h	
R6412 (190Ch)	IRQ2_Status_13	0	0	0	0	0	0	0	0	0	0	HP3R_ENABLE_DONE_EINT2	HP3L_ENABLE_DONE_EINT2	HP2R_ENABLE_DONE_EINT2	HP2L_ENABLE_DONE_EINT2	HP1R_ENABLE_DONE_EINT2	HP1L_ENABLE_DONE_EINT2	0000h	
R6413 (190Dh)	IRQ2_Status_14	0	0	0	0	0	0	0	0	0	0	HP3R_DISABLE_DONE_EINT2	HP3L_DISABLE_DONE_EINT2	HP2R_DISABLE_DONE_EINT2	HP2L_DISABLE_DONE_EINT2	HP1R_DISABLE_DONE_EINT2	HP1L_DISABLE_DONE_EINT2	0000h	
R6416 (1910h)	IRQ2_Status_17	GP16_EINT2	GP15_EINT2	GP14_EINT2	GP13_EINT2	GP12_EINT2	GP11_EINT2	GP10_EINT2	GP9_EINT2	GP8_EINT2	GP7_EINT2	GP6_EINT2	GP5_EINT2	GP4_EINT2	GP3_EINT2	GP2_EINT2	GP1_EINT2	0000h	
R6417 (1911h)	IRQ2_Status_18	GP32_EINT2	GP31_EINT2	GP30_EINT2	GP29_EINT2	GP28_EINT2	GP27_EINT2	GP26_EINT2	GP25_EINT2	GP24_EINT2	GP23_EINT2	GP22_EINT2	GP21_EINT2	GP20_EINT2	GP19_EINT2	GP18_EINT2	GP17_EINT2	0000h	
R6418 (1912h)	IRQ2_Status_19	0	0	0	0	0	0	0	0	0	0	GP38_EINT2	GP37_EINT2	GP36_EINT2	GP35_EINT2	GP34_EINT2	GP33_EINT2	0000h	
R6420 (1914h)	IRQ2_Status_21	0	0	0	0	0	0	0	0	TIMER8_EINT2	TIMER7_EINT2	TIMER6_EINT2	TIMER5_EINT2	TIMER4_EINT2	TIMER3_EINT2	TIMER2_EINT2	TIMER1_EINT2	0000h	
R6421 (1915h)	IRQ2_Status_22	0	0	0	0	0	0	0	0	EVENT8_NOT_EMPTY_EINT2	EVENT7_NOT_EMPTY_EINT2	EVENT6_NOT_EMPTY_EINT2	EVENT5_NOT_EMPTY_EINT2	EVENT4_NOT_EMPTY_EINT2	EVENT3_NOT_EMPTY_EINT2	EVENT2_NOT_EMPTY_EINT2	EVENT1_NOT_EMPTY_EINT2	0000h	
R6422 (1916h)	IRQ2_Status_23	0	0	0	0	0	0	0	0	EVENT8_FULL_EINT2	EVENT7_FULL_EINT2	EVENT6_FULL_EINT2	EVENT5_FULL_EINT2	EVENT4_FULL_EINT2	EVENT3_FULL_EINT2	EVENT2_FULL_EINT2	EVENT1_FULL_EINT2	0000h	
R6423 (1917h)	IRQ2_Status_24	0	0	0	0	0	0	0	0	0	0	EVENT8_WMARK_EINT2	EVENT7_WMARK_EINT2	EVENT6_WMARK_EINT2	EVENT5_WMARK_EINT2	EVENT4_WMARK_EINT2	EVENT3_WMARK_EINT2	EVENT2_WMARK_EINT2	0000h
R6424 (1918h)	IRQ2_Status_25	0	0	0	0	0	0	0	0	0	0	DSP7_DMA_EINT2	DSP6_DMA_EINT2	DSP5_DMA_EINT2	DSP4_DMA_EINT2	DSP3_DMA_EINT2	DSP2_DMA_EINT2	DSP1_DMA_EINT2	0000h
R6426 (191Ah)	IRQ2_Status_27	0	0	0	0	0	0	0	0	0	0	DSP7_START1_EINT2	DSP6_START1_EINT2	DSP5_START1_EINT2	DSP4_START1_EINT2	DSP3_START1_EINT2	DSP2_START1_EINT2	DSP1_START1_EINT2	0000h
R6427 (191Bh)	IRQ2_Status_28	0	0	0	0	0	0	0	0	0	0	DSP7_START2_EINT2	DSP6_START2_EINT2	DSP5_START2_EINT2	DSP4_START2_EINT2	DSP3_START2_EINT2	DSP2_START2_EINT2	DSP1_START2_EINT2	0000h
R6429 (191Dh)	IRQ2_Status_30	0	0	0	0	0	0	0	0	0	0	DSP7_BUSY_EINT2	DSP6_BUSY_EINT2	DSP5_BUSY_EINT2	DSP4_BUSY_EINT2	DSP3_BUSY_EINT2	DSP2_BUSY_EINT2	DSP1_BUSY_EINT2	0000h
R6430 (191Eh)	IRQ2_Status_31	0	0	0	0	0	0	0	0	0	0	0	0	0	MIF3_DONE_EINT2	MIF2_DONE_EINT2	MIF1_DONE_EINT2	0000h	
R6431 (191Fh)	IRQ2_Status_32	0	0	0	0	0	0	0	0	0	0	0	0	MIF3_BLOCK_EINT2	MIF2_BLOCK_EINT2	MIF1_BLOCK_EINT2	0000h		
R6464 (1940h)	IRQ2_Mask_1	IM_DSP_SHARED_WR_COLL_EINT2	0	0	IM_CTRLIF_ERR_EINT2	0	0	IM_SYSCLK_FAIL_EINT2	0	IM_BOOT_DONE_EINT2	0	0	0	0	0	0	0	9280h	
R6465 (1941h)	IRQ2_Mask_2	1	1	1	1	IM_FLL_AO_LOCK_EINT2	0	IM_FLL2_LOCK_EINT2	IM_FLL1_LOCK_EINT2	0	0	0	0	0	0	0	0	FB00h	
R6469 (1945h)	IRQ2_Mask_6	0	0	0	0	0	0	0	0	0	0	0	0	0	0	0	0	0301h	
R6470 (1946h)	IRQ2_Mask_7	0	0	0	0	0	0	0	0	0	0	IM_MICD_CLAMP_FALL_EINT2	IM_MICD_CLAMP_RISE_EINT2	IM_JD2_FALL_EINT2	IM_JD2_RISE_EINT2	IM_JD1_FALL_EINT2	IM_JD1_RISE_EINT2	003Fh	
R6472 (1948h)	IRQ2_Mask_9	0	0	0	0	IM_ASRC2_IN2_LOCK_EINT2	IM_ASRC2_IN1_LOCK_EINT2	IM_ASRC1_IN2_LOCK_EINT2	IM_ASRC1_IN1_LOCK_EINT2	0	0	0	0	0	1	IM_DRC2_SIG_DET_EINT2	IM_DRC1_SIG_DET_EINT2	0F07h	

Table 6-1. Register Map Definition—16-bit region (Cont.)

Register	Name	15	14	13	12	11	10	9	8	7	6	5	4	3	2	1	0	Default	
R6474 (194Ah)	IRQ2_Mask_11	IM_DSP_IRQ16_EINT2	IM_DSP_IRQ15_EINT2	IM_DSP_IRQ14_EINT2	IM_DSP_IRQ13_EINT2	IM_DSP_IRQ12_EINT2	IM_DSP_IRQ11_EINT2	IM_DSP_IRQ10_EINT2	IM_DSP_IRQ9_EINT2	IM_DSP_IRQ8_EINT2	IM_DSP_IRQ7_EINT2	IM_DSP_IRQ6_EINT2	IM_DSP_IRQ5_EINT2	IM_DSP_IRQ4_EINT2	IM_DSP_IRQ3_EINT2	IM_DSP_IRQ2_EINT2	IM_DSP_IRQ1_EINT2	FFFFh	
R6475 (194Bh)	IRQ2_Mask_12	0	0	0	0	0	0	0	0	0	0	IM_HP3R_SC_EINT2	IM_HP3L_SC_EINT2	IM_HP2R_SC_EINT2	IM_HP2L_SC_EINT2	IM_HP1R_SC_EINT2	IM_HP1L_SC_EINT2	003Fh	
R6476 (194Ch)	IRQ2_Mask_13	0	0	0	0	0	0	0	0	0	0	IM_HP3R_ENABLE_DONE_EINT2	IM_HP3L_ENABLE_DONE_EINT2	IM_HP2R_ENABLE_DONE_EINT2	IM_HP2L_ENABLE_DONE_EINT2	IM_HP1R_ENABLE_DONE_EINT2	IM_HP1L_ENABLE_DONE_EINT2	003Fh	
R6477 (194Dh)	IRQ2_Mask_14	0	0	0	0	0	0	0	0	0	0	IM_HP3R_DISABLE_DONE_EINT2	IM_HP3L_DISABLE_DONE_EINT2	IM_HP2R_DISABLE_DONE_EINT2	IM_HP2L_DISABLE_DONE_EINT2	IM_HP1R_DISABLE_DONE_EINT2	IM_HP1L_DISABLE_DONE_EINT2	003Fh	
R6480 (1950h)	IRQ2_Mask_17	IM_GP16_EINT2	IM_GP15_EINT2	IM_GP14_EINT2	IM_GP13_EINT2	IM_GP12_EINT2	IM_GP11_EINT2	IM_GP10_EINT2	IM_GP9_EINT2	IM_GP8_EINT2	IM_GP7_EINT2	IM_GP6_EINT2	IM_GP5_EINT2	IM_GP4_EINT2	IM_GP3_EINT2	IM_GP2_EINT2	IM_GP1_EINT2	FFFFh	
R6481 (1951h)	IRQ2_Mask_18	IM_GP32_EINT2	IM_GP31_EINT2	IM_GP30_EINT2	IM_GP29_EINT2	IM_GP28_EINT2	IM_GP27_EINT2	IM_GP26_EINT2	IM_GP25_EINT2	IM_GP24_EINT2	IM_GP23_EINT2	IM_GP22_EINT2	IM_GP21_EINT2	IM_GP20_EINT2	IM_GP19_EINT2	IM_GP18_EINT2	IM_GP17_EINT2	FFFFh	
R6482 (1952h)	IRQ2_Mask_19	0	0	0	0	0	0	0	0	0	0	IM_GP38_EINT2	IM_GP37_EINT2	IM_GP36_EINT2	IM_GP35_EINT2	IM_GP34_EINT2	IM_GP33_EINT2	003Fh	
R6484 (1954h)	IRQ2_Mask_21	0	0	0	0	0	0	0	0	IM_TIMER8_EINT2	IM_TIMER7_EINT2	IM_TIMER6_EINT2	IM_TIMER5_EINT2	IM_TIMER4_EINT2	IM_TIMER3_EINT2	IM_TIMER2_EINT2	IM_TIMER1_EINT2	00FFh	
R6485 (1955h)	IRQ2_Mask_22	0	0	0	0	0	0	0	0	IM_EVENT8_NOT_EMPTY_EINT2	IM_EVENT7_NOT_EMPTY_EINT2	IM_EVENT6_NOT_EMPTY_EINT2	IM_EVENT5_NOT_EMPTY_EINT2	IM_EVENT4_NOT_EMPTY_EINT2	IM_EVENT3_NOT_EMPTY_EINT2	IM_EVENT2_NOT_EMPTY_EINT2	IM_EVENT1_NOT_EMPTY_EINT2	00FFh	
R6486 (1956h)	IRQ2_Mask_23	0	0	0	0	0	0	0	0	0	0	IM_EVENT8_FULL_EINT2	IM_EVENT7_FULL_EINT2	IM_EVENT6_FULL_EINT2	IM_EVENT5_FULL_EINT2	IM_EVENT4_FULL_EINT2	IM_EVENT3_FULL_EINT2	IM_EVENT2_FULL_EINT2	00FFh
R6487 (1957h)	IRQ2_Mask_24	0	0	0	0	0	0	0	0	0	0	IM_EVENT8_WMARK_EINT2	IM_EVENT7_WMARK_EINT2	IM_EVENT6_WMARK_EINT2	IM_EVENT5_WMARK_EINT2	IM_EVENT4_WMARK_EINT2	IM_EVENT3_WMARK_EINT2	IM_EVENT2_WMARK_EINT2	00FFh
R6488 (1958h)	IRQ2_Mask_25	0	0	0	0	0	0	0	0	0	0	IM_DSP7_DMA_EINT2	IM_DSP6_DMA_EINT2	IM_DSP5_DMA_EINT2	IM_DSP4_DMA_EINT2	IM_DSP3_DMA_EINT2	IM_DSP2_DMA_EINT2	IM_DSP1_DMA_EINT2	007Fh
R6490 (195Ah)	IRQ2_Mask_27	0	0	0	0	0	0	0	0	0	0	IM_DSP7_START1_EINT2	IM_DSP6_START1_EINT2	IM_DSP5_START1_EINT2	IM_DSP4_START1_EINT2	IM_DSP3_START1_EINT2	IM_DSP2_START1_EINT2	IM_DSP1_START1_EINT2	007Fh
R6491 (195Bh)	IRQ2_Mask_28	0	0	0	0	0	0	0	0	0	0	IM_DSP7_START2_EINT2	IM_DSP6_START2_EINT2	IM_DSP5_START2_EINT2	IM_DSP4_START2_EINT2	IM_DSP3_START2_EINT2	IM_DSP2_START2_EINT2	IM_DSP1_START2_EINT2	007Fh
R6493 (195Dh)	IRQ2_Mask_30	0	0	0	0	0	0	0	0	0	0	IM_DSP7_BUSY_EINT2	IM_DSP6_BUSY_EINT2	IM_DSP5_BUSY_EINT2	IM_DSP4_BUSY_EINT2	IM_DSP3_BUSY_EINT2	IM_DSP2_BUSY_EINT2	IM_DSP1_BUSY_EINT2	007Fh
R6494 (195Eh)	IRQ2_Mask_31	0	0	0	0	0	0	0	0	0	0	0	0	IM_MIF3_DONE_EINT2	IM_MIF2_DONE_EINT2	IM_MIF1_DONE_EINT2	0007h		
R6495 (195Fh)	IRQ2_Mask_32	0	0	0	0	0	0	0	0	0	0	0	0	IM_MIF3_BLOCK_EINT2	IM_MIF2_BLOCK_EINT2	IM_MIF1_BLOCK_EINT2	0007h		
R6528 (1980h)	IRQ2_Raw_Status_1	0	0	0	CTRLIF_ERR_STS2	0	0	0	0	0	BOOT_DONE_STS2	0	0	0	0	0	0	0000h	
R6529 (1981h)	IRQ2_Raw_Status_2	0	0	0	0	FLL_AO_LOCK_STS2	0	FLL2_LOCK_STS2	FLL1_LOCK_STS2	0	0	0	0	0	0	0	0	0000h	
R6534 (1986h)	IRQ2_Raw_Status_7	0	0	0	0	0	0	0	0	0	0	0	MICD_CLAMP_STS2	0	JD2_STS2	0	JD1_STS2	0000h	
R6536 (1988h)	IRQ2_Raw_Status_9	0	0	0	0	ASRC2_IN2_LOCK_STS2	ASRC2_IN1_LOCK_STS2	ASRC1_IN2_LOCK_STS2	ASRC1_IN1_LOCK_STS2	0	0	0	0	0	0	0	DRC2_SIG_DET_STS2	DRC1_SIG_DET_STS2	0000h
R6539 (198Bh)	IRQ2_Raw_Status_12	0	0	0	0	0	0	0	0	0	0	HP3R_SC_STS2	HP3L_SC_STS2	HP2R_SC_STS2	HP2L_SC_STS2	HP1R_SC_STS2	HP1L_SC_STS2	0000h	
R6540 (198Ch)	IRQ2_Raw_Status_13	0	0	0	0	0	0	0	0	0	0	HP3R_ENABLE_DONE_STS2	HP3L_ENABLE_DONE_STS2	HP2R_ENABLE_DONE_STS2	HP2L_ENABLE_DONE_STS2	HP1R_ENABLE_DONE_STS2	HP1L_ENABLE_DONE_STS2	0000h	
R6541 (198Dh)	IRQ2_Raw_Status_14	0	0	0	0	0	0	0	0	0	0	HP3R_DISABLE_DONE_STS2	HP3L_DISABLE_DONE_STS2	HP2R_DISABLE_DONE_STS2	HP2L_DISABLE_DONE_STS2	HP1R_DISABLE_DONE_STS2	HP1L_DISABLE_DONE_STS2	0000h	
R6544 (1990h)	IRQ2_Raw_Status_17	GP16_STS2	GP15_STS2	GP14_STS2	GP13_STS2	GP12_STS2	GP11_STS2	GP10_STS2	GP9_STS2	GP8_STS2	GP7_STS2	GP6_STS2	GP5_STS2	GP4_STS2	GP3_STS2	GP2_STS2	GP1_STS2	0000h	
R6545 (1991h)	IRQ2_Raw_Status_18	GP32_STS2	GP31_STS2	GP30_STS2	GP29_STS2	GP28_STS2	GP27_STS2	GP26_STS2	GP25_STS2	GP24_STS2	GP23_STS2	GP22_STS2	GP21_STS2	GP20_STS2	GP19_STS2	GP18_STS2	GP17_STS2	0000h	
R6546 (1992h)	IRQ2_Raw_Status_19	0	0	0	0	0	0	0	0	0	0	GP38_STS2	GP37_STS2	GP36_STS2	GP35_STS2	GP34_STS2	GP33_STS2	0000h	
R6549 (1995h)	IRQ2_Raw_Status_22	0	0	0	0	0	0	0	0	EVENT8_NOT_EMPTY_STS2	EVENT7_NOT_EMPTY_STS2	EVENT6_NOT_EMPTY_STS2	EVENT5_NOT_EMPTY_STS2	EVENT4_NOT_EMPTY_STS2	EVENT3_NOT_EMPTY_STS2	EVENT2_NOT_EMPTY_STS2	EVENT1_NOT_EMPTY_STS2	0000h	
R6550 (1996h)	IRQ2_Raw_Status_23	0	0	0	0	0	0	0	0	0	0	EVENT8_FULL_STS2	EVENT7_FULL_STS2	EVENT6_FULL_STS2	EVENT5_FULL_STS2	EVENT4_FULL_STS2	EVENT3_FULL_STS2	EVENT2_FULL_STS2	0000h
R6551 (1997h)	IRQ2_Raw_Status_24	0	0	0	0	0	0	0	0	0	0	EVENT8_WMARK_STS2	EVENT7_WMARK_STS2	EVENT6_WMARK_STS2	EVENT5_WMARK_STS2	EVENT4_WMARK_STS2	EVENT3_WMARK_STS2	EVENT2_WMARK_STS2	0000h

Table 6-1. Register Map Definition—16-bit region (Cont.)

Register	Name	15	14	13	12	11	10	9	8	7	6	5	4	3	2	1	0	Default
R6552 (1998h)	IRQ2_Raw_Status_25	0	0	0	0	0	0	0	0	0	DSP7_DMA_STS2	DSP6_DMA_STS2	DSP5_DMA_STS2	DSP4_DMA_STS2	DSP3_DMA_STS2	DSP2_DMA_STS2	DSP1_DMA_STS2	0000h
R6557 (199Dh)	IRQ2_Raw_Status_30	0	0	0	0	0	0	0	0	0	DSP7_BUSY_STS2	DSP6_BUSY_STS2	DSP5_BUSY_STS2	DSP4_BUSY_STS2	DSP3_BUSY_STS2	DSP2_BUSY_STS2	DSP1_BUSY_STS2	0000h
R6662 (1A06h)	Interrupt_Debounce_7	0	0	0	0	0	0	0	0	0	0	0	MICD_CLAMP_DB	0	JD2_DB	0	JD1_DB	0000h
R6784 (1A80h)	IRQ1_CTRL	0	1	0	0	IM_IRQ1	IRQ_POL	IRQ_OP_CFG	0	0	0	0	0	0	0	0	0	4400h
R6786 (1A82h)	IRQ2_CTRL	0	0	0	0	IM_IRQ2	0	0	0	0	0	0	0	0	0	0	0	0000h
R6816 (1AA0h)	Interrupt_Raw_Status_1	0	0	0	0	0	0	0	0	0	0	0	0	0	0	IRQ2_STS	IRQ1_STS	0000h
R6848 (1AC0h)	GPIO_Debounce_Config	0	0	0	0	0	0	0	0	0	0	0	GP_DBTIME [3:0]			0	0	0000h
R6864 (1AD0h)	AOD_Pad_Ctrl	0	1	0	0	0	0	0	0	0	0	0	0	0	0	RESET_PU	RESET_PD	4002h

The 32-bit DSP register space is described in [Table 6-2](#).

Table 6-2. Register Map Definition—32-bit region

Register	Name	31 15	30 14	29 13	28 12	27 11	26 10	25 9	24 8	23 7	22 6	21 5	20 4	19 3	18 2	17 1	16 0	Default
R12288 (3000h)	WSEQ_Sequence_1	WSEQ_DATA_WIDTH0 [2:0]			WSEQ_DELAY0 [3:0]			WSEQ_DATA_START0 [3:0]			WSEQ_ADDR0 [12:0]			WSEQ_DATA0 [7:0]			0000F000h	
R12290 (3002h)	WSEQ_Sequence_2	WSEQ_DATA_WIDTH1 [2:0]			WSEQ_DELAY1 [3:0]			WSEQ_DATA_START1 [3:0]			WSEQ_ADDR1 [12:0]			WSEQ_DATA1 [7:0]			0000F000h	
R12292 (3004h)	WSEQ_Sequence_3	WSEQ_DATA_WIDTH2 [2:0]			WSEQ_DELAY2 [3:0]			WSEQ_DATA_START2 [3:0]			WSEQ_ADDR2 [12:0]			WSEQ_DATA2 [7:0]			0000F000h	
R12294 (3006h)	WSEQ_Sequence_4	WSEQ_DATA_WIDTH3 [2:0]			WSEQ_DELAY3 [3:0]			WSEQ_DATA_START3 [3:0]			WSEQ_ADDR3 [12:0]			WSEQ_DATA3 [7:0]			0000F000h	
R12296 (3008h)	WSEQ_Sequence_5	WSEQ_DATA_WIDTH4 [2:0]			WSEQ_DELAY4 [3:0]			WSEQ_DATA_START4 [3:0]			WSEQ_ADDR4 [12:0]			WSEQ_DATA4 [7:0]			82253719h	
R12298 (300Ah)	WSEQ_Sequence_6	WSEQ_DATA_WIDTH5 [2:0]			WSEQ_DELAY5 [3:0]			WSEQ_DATA_START5 [3:0]			WSEQ_ADDR5 [12:0]			WSEQ_DATA5 [7:0]			C2300001h	
R12300 (300Ch)	WSEQ_Sequence_7	WSEQ_DATA_WIDTH6 [2:0]			WSEQ_DELAY6 [3:0]			WSEQ_DATA_START6 [3:0]			WSEQ_ADDR6 [12:0]			WSEQ_DATA6 [7:0]			02251301h	
R12302 (300Eh)	WSEQ_Sequence_8	WSEQ_DATA_WIDTH7 [2:0]			WSEQ_DELAY7 [3:0]			WSEQ_DATA_START7 [3:0]			WSEQ_ADDR7 [12:0]			WSEQ_DATA7 [7:0]			8225191Fh	
R12304 (3010h)	WSEQ_Sequence_9	WSEQ_DATA_WIDTH8 [2:0]			WSEQ_DELAY8 [3:0]			WSEQ_DATA_START8 [3:0]			WSEQ_ADDR8 [12:0]			WSEQ_DATA8 [7:0]			82310B00h	
R12306 (3012h)	WSEQ_Sequence_10	WSEQ_DATA_WIDTH9 [2:0]			WSEQ_DELAY9 [3:0]			WSEQ_DATA_START9 [3:0]			WSEQ_ADDR9 [12:0]			WSEQ_DATA9 [7:0]			E231023Bh	
R12308 (3014h)	WSEQ_Sequence_11	WSEQ_DATA_WIDTH10 [2:0]			WSEQ_DELAY10 [3:0]			WSEQ_DATA_START10 [3:0]			WSEQ_ADDR10 [12:0]			WSEQ_DATA10 [7:0]			02313B01h	
R12310 (3016h)	WSEQ_Sequence_12	WSEQ_DATA_WIDTH11 [2:0]			WSEQ_DELAY11 [3:0]			WSEQ_DATA_START11 [3:0]			WSEQ_ADDR11 [12:0]			WSEQ_DATA11 [7:0]			62300000h	
R12312 (3018h)	WSEQ_Sequence_13	WSEQ_DATA_WIDTH12 [2:0]			WSEQ_DELAY12 [3:0]			WSEQ_DATA_START12 [3:0]			WSEQ_ADDR12 [12:0]			WSEQ_DATA12 [7:0]			E2314288h	
R12314 (301Ah)	WSEQ_Sequence_14	WSEQ_DATA_WIDTH13 [2:0]			WSEQ_DELAY13 [3:0]			WSEQ_DATA_START13 [3:0]			WSEQ_ADDR13 [12:0]			WSEQ_DATA13 [7:0]			02310B00h	
R12316 (301Ch)	WSEQ_Sequence_15	WSEQ_DATA_WIDTH14 [2:0]			WSEQ_DELAY14 [3:0]			WSEQ_DATA_START14 [3:0]			WSEQ_ADDR14 [12:0]			WSEQ_DATA14 [7:0]			02310B00h	
R12318 (301Eh)	WSEQ_Sequence_16	WSEQ_DATA_WIDTH15 [2:0]			WSEQ_DELAY15 [3:0]			WSEQ_DATA_START15 [3:0]			WSEQ_ADDR15 [12:0]			WSEQ_DATA15 [7:0]			02250E01h	
R12320 (3020h)	WSEQ_Sequence_17	WSEQ_DATA_WIDTH16 [2:0]			WSEQ_DELAY16 [3:0]			WSEQ_DATA_START16 [3:0]			WSEQ_ADDR16 [12:0]			WSEQ_DATA16 [7:0]			42310C02h	
R12322 (3022h)	WSEQ_Sequence_18	WSEQ_DATA_WIDTH17 [2:0]			WSEQ_DELAY17 [3:0]			WSEQ_DATA_START17 [3:0]			WSEQ_ADDR17 [12:0]			WSEQ_DATA17 [7:0]			E2310227h	
R12324 (3024h)	WSEQ_Sequence_19	WSEQ_DATA_WIDTH18 [2:0]			WSEQ_DELAY18 [3:0]			WSEQ_DATA_START18 [3:0]			WSEQ_ADDR18 [12:0]			WSEQ_DATA18 [7:0]			02313B01h	
R12326 (3026h)	WSEQ_Sequence_20	WSEQ_DATA_WIDTH19 [2:0]			WSEQ_DELAY19 [3:0]			WSEQ_DATA_START19 [3:0]			WSEQ_ADDR19 [12:0]			WSEQ_DATA19 [7:0]			E2314266h	
R12328 (3028h)	WSEQ_Sequence_21	WSEQ_DATA_WIDTH20 [2:0]			WSEQ_DELAY20 [3:0]			WSEQ_DATA_START20 [3:0]			WSEQ_ADDR20 [12:0]			WSEQ_DATA20 [7:0]			E2315294h	
R12330 (302Ah)	WSEQ_Sequence_22	WSEQ_DATA_WIDTH21 [2:0]			WSEQ_DELAY21 [3:0]			WSEQ_DATA_START21 [3:0]			WSEQ_ADDR21 [12:0]			WSEQ_DATA21 [7:0]			02310B00h	
R12332 (302Ch)	WSEQ_Sequence_23	WSEQ_DATA_WIDTH22 [2:0]			WSEQ_DELAY22 [3:0]			WSEQ_DATA_START22 [3:0]			WSEQ_ADDR22 [12:0]			WSEQ_DATA22 [7:0]			02310B00h	
R12334 (302Eh)	WSEQ_Sequence_24	WSEQ_DATA_WIDTH23 [2:0]			WSEQ_DELAY23 [3:0]			WSEQ_DATA_START23 [3:0]			WSEQ_ADDR23 [12:0]			WSEQ_DATA23 [7:0]			E2251734h	

Table 6-2. Register Map Definition—32-bit region (Cont.)

Register	Name	31 15	30 14	29 13	28 12	27 11	26 10	25 9	24 8	23 7	22 6	21 5	20 4	19 3	18 2	17 1	16 0	Default
R12336 (3030h)	WSEQ_Sequence_25	WSEQ_DATA_WIDTH24 [2:0]				WSEQ_DATA_START24 [3:0]				WSEQ_ADDR24 [12:0]				WSEQ_DATA24 [7:0]				0225F501h
		WSEQ_DELAY24 [3:0]																
R12338 (3032h)	WSEQ_Sequence_26	WSEQ_DATA_WIDTH25 [2:0]				WSEQ_DATA_START25 [3:0]				WSEQ_ADDR25 [12:0]				WSEQ_DATA25 [7:0]				0000F000h
		WSEQ_DELAY25 [3:0]																
R12340 (3034h)	WSEQ_Sequence_27	WSEQ_DATA_WIDTH26 [2:0]				WSEQ_DATA_START26 [3:0]				WSEQ_ADDR26 [12:0]				WSEQ_DATA26 [7:0]				0000F000h
		WSEQ_DELAY26 [3:0]																
R12342 (3036h)	WSEQ_Sequence_28	WSEQ_DATA_WIDTH27 [2:0]				WSEQ_DATA_START27 [3:0]				WSEQ_ADDR27 [12:0]				WSEQ_DATA27 [7:0]				0000F000h
		WSEQ_DELAY27 [3:0]																
R12344 (3038h)	WSEQ_Sequence_29	WSEQ_DATA_WIDTH28 [2:0]				WSEQ_DATA_START28 [3:0]				WSEQ_ADDR28 [12:0]				WSEQ_DATA28 [7:0]				0000F000h
		WSEQ_DELAY28 [3:0]																
R12346 (303Ah)	WSEQ_Sequence_30	WSEQ_DATA_WIDTH29 [2:0]				WSEQ_DATA_START29 [3:0]				WSEQ_ADDR29 [12:0]				WSEQ_DATA29 [7:0]				0000F000h
		WSEQ_DELAY29 [3:0]																
R12348 (303Ch)	WSEQ_Sequence_31	WSEQ_DATA_WIDTH30 [2:0]				WSEQ_DATA_START30 [3:0]				WSEQ_ADDR30 [12:0]				WSEQ_DATA30 [7:0]				0000F000h
		WSEQ_DELAY30 [3:0]																
R12350 (303Eh)	WSEQ_Sequence_32	WSEQ_DATA_WIDTH31 [2:0]				WSEQ_DATA_START31 [3:0]				WSEQ_ADDR31 [12:0]				WSEQ_DATA31 [7:0]				02253A01h
		WSEQ_DELAY31 [3:0]																
R12352 (3040h)	WSEQ_Sequence_33	WSEQ_DATA_WIDTH32 [2:0]				WSEQ_DATA_START32 [3:0]				WSEQ_ADDR32 [12:0]				WSEQ_DATA32 [7:0]				C2251300h
		WSEQ_DELAY32 [3:0]																
R12354 (3042h)	WSEQ_Sequence_34	WSEQ_DATA_WIDTH33 [2:0]				WSEQ_DATA_START33 [3:0]				WSEQ_ADDR33 [12:0]				WSEQ_DATA33 [7:0]				02250B00h
		WSEQ_DELAY33 [3:0]																
R12356 (3044h)	WSEQ_Sequence_35	WSEQ_DATA_WIDTH34 [2:0]				WSEQ_DATA_START34 [3:0]				WSEQ_ADDR34 [12:0]				WSEQ_DATA34 [7:0]				0225FF01h
		WSEQ_DELAY34 [3:0]																
R12358 (3046h)	WSEQ_Sequence_36	WSEQ_DATA_WIDTH35 [2:0]				WSEQ_DATA_START35 [3:0]				WSEQ_ADDR35 [12:0]				WSEQ_DATA35 [7:0]				0000F000h
		WSEQ_DELAY35 [3:0]																
R12360 (3048h)	WSEQ_Sequence_37	WSEQ_DATA_WIDTH36 [2:0]				WSEQ_DATA_START36 [3:0]				WSEQ_ADDR36 [12:0]				WSEQ_DATA36 [7:0]				0000F000h
		WSEQ_DELAY36 [3:0]																
R12362 (304Ah)	WSEQ_Sequence_38	WSEQ_DATA_WIDTH37 [2:0]				WSEQ_DATA_START37 [3:0]				WSEQ_ADDR37 [12:0]				WSEQ_DATA37 [7:0]				0000F000h
		WSEQ_DELAY37 [3:0]																
R12364 (304Ch)	WSEQ_Sequence_39	WSEQ_DATA_WIDTH38 [2:0]				WSEQ_DATA_START38 [3:0]				WSEQ_ADDR38 [12:0]				WSEQ_DATA38 [7:0]				0000F000h
		WSEQ_DELAY38 [3:0]																
R12366 (304Eh)	WSEQ_Sequence_40	WSEQ_DATA_WIDTH39 [2:0]				WSEQ_DATA_START39 [3:0]				WSEQ_ADDR39 [12:0]				WSEQ_DATA39 [7:0]				0000F000h
		WSEQ_DELAY39 [3:0]																
R12368 (3050h)	WSEQ_Sequence_41	WSEQ_DATA_WIDTH40 [2:0]				WSEQ_DATA_START40 [3:0]				WSEQ_ADDR40 [12:0]				WSEQ_DATA40 [7:0]				0000F000h
		WSEQ_DELAY40 [3:0]																
R12370 (3052h)	WSEQ_Sequence_42	WSEQ_DATA_WIDTH41 [2:0]				WSEQ_DATA_START41 [3:0]				WSEQ_ADDR41 [12:0]				WSEQ_DATA41 [7:0]				0000F000h
		WSEQ_DELAY41 [3:0]																
R12372 (3054h)	WSEQ_Sequence_43	WSEQ_DATA_WIDTH42 [2:0]				WSEQ_DATA_START42 [3:0]				WSEQ_ADDR42 [12:0]				WSEQ_DATA42 [7:0]				0000F000h
		WSEQ_DELAY42 [3:0]																
R12374 (3056h)	WSEQ_Sequence_44	WSEQ_DATA_WIDTH43 [2:0]				WSEQ_DATA_START43 [3:0]				WSEQ_ADDR43 [12:0]				WSEQ_DATA43 [7:0]				0000F000h
		WSEQ_DELAY43 [3:0]																
R12376 (3058h)	WSEQ_Sequence_45	WSEQ_DATA_WIDTH44 [2:0]				WSEQ_DATA_START44 [3:0]				WSEQ_ADDR44 [12:0]				WSEQ_DATA44 [7:0]				82263719h
		WSEQ_DELAY44 [3:0]																
R12378 (305Ah)	WSEQ_Sequence_46	WSEQ_DATA_WIDTH45 [2:0]				WSEQ_DATA_START45 [3:0]				WSEQ_ADDR45 [12:0]				WSEQ_DATA45 [7:0]				C2300001h
		WSEQ_DELAY45 [3:0]																
R12380 (305Ch)	WSEQ_Sequence_47	WSEQ_DATA_WIDTH46 [2:0]				WSEQ_DATA_START46 [3:0]				WSEQ_ADDR46 [12:0]				WSEQ_DATA46 [7:0]				02261301h
		WSEQ_DELAY46 [3:0]																
R12382 (305Eh)	WSEQ_Sequence_48	WSEQ_DATA_WIDTH47 [2:0]				WSEQ_DATA_START47 [3:0]				WSEQ_ADDR47 [12:0]				WSEQ_DATA47 [7:0]				8226191Fh
		WSEQ_DELAY47 [3:0]																
R12384 (3060h)	WSEQ_Sequence_49	WSEQ_DATA_WIDTH48 [2:0]				WSEQ_DATA_START48 [3:0]				WSEQ_ADDR48 [12:0]				WSEQ_DATA48 [7:0]				82310B02h
		WSEQ_DELAY48 [3:0]																
R12386 (3062h)	WSEQ_Sequence_50	WSEQ_DATA_WIDTH49 [2:0]				WSEQ_DATA_START49 [3:0]				WSEQ_ADDR49 [12:0]				WSEQ_DATA49 [7:0]				E231023Bh
		WSEQ_DELAY49 [3:0]																
R12388 (3064h)	WSEQ_Sequence_51	WSEQ_DATA_WIDTH50 [2:0]				WSEQ_DATA_START50 [3:0]				WSEQ_ADDR50 [12:0]				WSEQ_DATA50 [7:0]				02313B01h
		WSEQ_DELAY50 [3:0]																
R12390 (3066h)	WSEQ_Sequence_52	WSEQ_DATA_WIDTH51 [2:0]				WSEQ_DATA_START51 [3:0]				WSEQ_ADDR51 [12:0]				WSEQ_DATA51 [7:0]				62300000h
		WSEQ_DELAY51 [3:0]																
R12392 (3068h)	WSEQ_Sequence_53	WSEQ_DATA_WIDTH52 [2:0]				WSEQ_DATA_START52 [3:0]				WSEQ_ADDR52 [12:0]				WSEQ_DATA52 [7:0]				E2314288h
		WSEQ_DELAY52 [3:0]																
R12394 (306Ah)	WSEQ_Sequence_54	WSEQ_DATA_WIDTH53 [2:0]				WSEQ_DATA_START53 [3:0]				WSEQ_ADDR53 [12:0]				WSEQ_DATA53 [7:0]				02310B00h
		WSEQ_DELAY53 [3:0]																
R12396 (306Ch)	WSEQ_Sequence_55	WSEQ_DATA_WIDTH54 [2:0]				WSEQ_DATA_START54 [3:0]				WSEQ_ADDR54 [12:0]				WSEQ_DATA54 [7:0]				02310B00h
		WSEQ_DELAY54 [3:0]																
R12398 (306Eh)	WSEQ_Sequence_56	WSEQ_DATA_WIDTH55 [2:0]				WSEQ_DATA_START55 [3:0]				WSEQ_ADDR55 [12:0]				WSEQ_DATA55 [7:0]				02260E01h
		WSEQ_DELAY55 [3:0]																
R12400 (3070h)	WSEQ_Sequence_57	WSEQ_DATA_WIDTH56 [2:0]				WSEQ_DATA_START56 [3:0]				WSEQ_ADDR56 [12:0]				WSEQ_DATA56 [7:0]				42310C03h
		WSEQ_DELAY56 [3:0]																
R12402 (3072h)	WSEQ_Sequence_58	WSEQ_DATA_WIDTH57 [2:0]				WSEQ_DATA_START57 [3:0]				WSEQ_ADDR57 [12:0]				WSEQ_DATA57 [7:0]				E2310227h
		WSEQ_DELAY57 [3:0]																
R12404 (3074h)	WSEQ_Sequence_59	WSEQ_DATA_WIDTH58 [2:0]				WSEQ_DATA_START58 [3:0]				WSEQ_ADDR58 [12:0]				WSEQ_DATA58 [7:0]				02313B01h
		WSEQ_DELAY58 [3:0]																
R12406 (3076h)	WSEQ_Sequence_60	WSEQ_DATA_WIDTH59 [2:0]				WSEQ_DATA_START59 [3:0]				WSEQ_ADDR59 [12:0]				WSEQ_DATA59 [7:0]				E2314266h
		WSEQ_DELAY59 [3:0]																

Table 6-2. Register Map Definition—32-bit region (Cont.)

Register	Name	31 15	30 14	29 13	28 12	27 11	26 10	25 9	24 8	23 7	22 6	21 5	20 4	19 3	18 2	17 1	16 0	Default
R12408 (3078h)	WSEQ_Sequence_61	WSEQ_DATA_WIDTH60 [2:0]			WSEQ_DATA_START60 [3:0]			WSEQ_ADDR60 [12:0]			WSEQ_DATA60 [7:0]						E2315294h	
R12410 (307Ah)	WSEQ_Sequence_62	WSEQ_DATA_WIDTH61 [2:0]			WSEQ_DATA_START61 [3:0]			WSEQ_ADDR61 [12:0]			WSEQ_DATA61 [7:0]						02310B00h	
R12412 (307Ch)	WSEQ_Sequence_63	WSEQ_DATA_WIDTH62 [2:0]			WSEQ_DATA_START62 [3:0]			WSEQ_ADDR62 [12:0]			WSEQ_DATA62 [7:0]						02310B00h	
R12414 (307Eh)	WSEQ_Sequence_64	WSEQ_DATA_WIDTH63 [2:0]			WSEQ_DATA_START63 [3:0]			WSEQ_ADDR63 [12:0]			WSEQ_DATA63 [7:0]						E2261734h	
R12416 (3080h)	WSEQ_Sequence_65	WSEQ_DATA_WIDTH64 [2:0]			WSEQ_DATA_START64 [3:0]			WSEQ_ADDR64 [12:0]			WSEQ_DATA64 [7:0]						0226F501h	
R12418 (3082h)	WSEQ_Sequence_66	WSEQ_DATA_WIDTH65 [2:0]			WSEQ_DATA_START65 [3:0]			WSEQ_ADDR65 [12:0]			WSEQ_DATA65 [7:0]						0000F000h	
R12420 (3084h)	WSEQ_Sequence_67	WSEQ_DATA_WIDTH66 [2:0]			WSEQ_DATA_START66 [3:0]			WSEQ_ADDR66 [12:0]			WSEQ_DATA66 [7:0]						0000F000h	
R12422 (3086h)	WSEQ_Sequence_68	WSEQ_DATA_WIDTH67 [2:0]			WSEQ_DATA_START67 [3:0]			WSEQ_ADDR67 [12:0]			WSEQ_DATA67 [7:0]						0000F000h	
R12424 (3088h)	WSEQ_Sequence_69	WSEQ_DATA_WIDTH68 [2:0]			WSEQ_DATA_START68 [3:0]			WSEQ_ADDR68 [12:0]			WSEQ_DATA68 [7:0]						0000F000h	
R12426 (308Ah)	WSEQ_Sequence_70	WSEQ_DATA_WIDTH69 [2:0]			WSEQ_DATA_START69 [3:0]			WSEQ_ADDR69 [12:0]			WSEQ_DATA69 [7:0]						0000F000h	
R12428 (308Ch)	WSEQ_Sequence_71	WSEQ_DATA_WIDTH70 [2:0]			WSEQ_DATA_START70 [3:0]			WSEQ_ADDR70 [12:0]			WSEQ_DATA70 [7:0]						0000F000h	
R12430 (308Eh)	WSEQ_Sequence_72	WSEQ_DATA_WIDTH71 [2:0]			WSEQ_DATA_START71 [3:0]			WSEQ_ADDR71 [12:0]			WSEQ_DATA71 [7:0]						02263A01h	
R12432 (3090h)	WSEQ_Sequence_73	WSEQ_DATA_WIDTH72 [2:0]			WSEQ_DATA_START72 [3:0]			WSEQ_ADDR72 [12:0]			WSEQ_DATA72 [7:0]						C2261300h	
R12434 (3092h)	WSEQ_Sequence_74	WSEQ_DATA_WIDTH73 [2:0]			WSEQ_DATA_START73 [3:0]			WSEQ_ADDR73 [12:0]			WSEQ_DATA73 [7:0]						02260B00h	
R12436 (3094h)	WSEQ_Sequence_75	WSEQ_DATA_WIDTH74 [2:0]			WSEQ_DATA_START74 [3:0]			WSEQ_ADDR74 [12:0]			WSEQ_DATA74 [7:0]						0226FF01h	
R12438 (3096h)	WSEQ_Sequence_76	WSEQ_DATA_WIDTH75 [2:0]			WSEQ_DATA_START75 [3:0]			WSEQ_ADDR75 [12:0]			WSEQ_DATA75 [7:0]						0000F000h	
R12440 (3098h)	WSEQ_Sequence_77	WSEQ_DATA_WIDTH76 [2:0]			WSEQ_DATA_START76 [3:0]			WSEQ_ADDR76 [12:0]			WSEQ_DATA76 [7:0]						0000F000h	
R12442 (309Ah)	WSEQ_Sequence_78	WSEQ_DATA_WIDTH77 [2:0]			WSEQ_DATA_START77 [3:0]			WSEQ_ADDR77 [12:0]			WSEQ_DATA77 [7:0]						0000F000h	
R12444 (309Ch)	WSEQ_Sequence_79	WSEQ_DATA_WIDTH78 [2:0]			WSEQ_DATA_START78 [3:0]			WSEQ_ADDR78 [12:0]			WSEQ_DATA78 [7:0]						0000F000h	
R12446 (309Eh)	WSEQ_Sequence_80	WSEQ_DATA_WIDTH79 [2:0]			WSEQ_DATA_START79 [3:0]			WSEQ_ADDR79 [12:0]			WSEQ_DATA79 [7:0]						0000F000h	
R12448 (30A0h)	WSEQ_Sequence_81	WSEQ_DATA_WIDTH80 [2:0]			WSEQ_DATA_START80 [3:0]			WSEQ_ADDR80 [12:0]			WSEQ_DATA80 [7:0]						0000F000h	
R12450 (30A2h)	WSEQ_Sequence_82	WSEQ_DATA_WIDTH81 [2:0]			WSEQ_DATA_START81 [3:0]			WSEQ_ADDR81 [12:0]			WSEQ_DATA81 [7:0]						0000F000h	
R12452 (30A4h)	WSEQ_Sequence_83	WSEQ_DATA_WIDTH82 [2:0]			WSEQ_DATA_START82 [3:0]			WSEQ_ADDR82 [12:0]			WSEQ_DATA82 [7:0]						0000F000h	
R12454 (30A6h)	WSEQ_Sequence_84	WSEQ_DATA_WIDTH83 [2:0]			WSEQ_DATA_START83 [3:0]			WSEQ_ADDR83 [12:0]			WSEQ_DATA83 [7:0]						0000F000h	
R12456 (30A8h)	WSEQ_Sequence_85	WSEQ_DATA_WIDTH84 [2:0]			WSEQ_DATA_START84 [3:0]			WSEQ_ADDR84 [12:0]			WSEQ_DATA84 [7:0]						82273719h	
R12458 (30AAh)	WSEQ_Sequence_86	WSEQ_DATA_WIDTH85 [2:0]			WSEQ_DATA_START85 [3:0]			WSEQ_ADDR85 [12:0]			WSEQ_DATA85 [7:0]						C2400001h	
R12460 (30ACh)	WSEQ_Sequence_87	WSEQ_DATA_WIDTH86 [2:0]			WSEQ_DATA_START86 [3:0]			WSEQ_ADDR86 [12:0]			WSEQ_DATA86 [7:0]						02271301h	
R12462 (30AEh)	WSEQ_Sequence_88	WSEQ_DATA_WIDTH87 [2:0]			WSEQ_DATA_START87 [3:0]			WSEQ_ADDR87 [12:0]			WSEQ_DATA87 [7:0]						8227191Fh	
R12464 (30B0h)	WSEQ_Sequence_89	WSEQ_DATA_WIDTH88 [2:0]			WSEQ_DATA_START88 [3:0]			WSEQ_ADDR88 [12:0]			WSEQ_DATA88 [7:0]						82410B00h	
R12466 (30B2h)	WSEQ_Sequence_90	WSEQ_DATA_WIDTH89 [2:0]			WSEQ_DATA_START89 [3:0]			WSEQ_ADDR89 [12:0]			WSEQ_DATA89 [7:0]						E241023Bh	
R12468 (30B4h)	WSEQ_Sequence_91	WSEQ_DATA_WIDTH90 [2:0]			WSEQ_DATA_START90 [3:0]			WSEQ_ADDR90 [12:0]			WSEQ_DATA90 [7:0]						02413B01h	
R12470 (30B6h)	WSEQ_Sequence_92	WSEQ_DATA_WIDTH91 [2:0]			WSEQ_DATA_START91 [3:0]			WSEQ_ADDR91 [12:0]			WSEQ_DATA91 [7:0]						62400000h	
R12472 (30B8h)	WSEQ_Sequence_93	WSEQ_DATA_WIDTH92 [2:0]			WSEQ_DATA_START92 [3:0]			WSEQ_ADDR92 [12:0]			WSEQ_DATA92 [7:0]						E2414288h	
R12474 (30BAh)	WSEQ_Sequence_94	WSEQ_DATA_WIDTH93 [2:0]			WSEQ_DATA_START93 [3:0]			WSEQ_ADDR93 [12:0]			WSEQ_DATA93 [7:0]						02410B00h	
R12476 (30BCh)	WSEQ_Sequence_95	WSEQ_DATA_WIDTH94 [2:0]			WSEQ_DATA_START94 [3:0]			WSEQ_ADDR94 [12:0]			WSEQ_DATA94 [7:0]						02410B00h	
R12478 (30BEh)	WSEQ_Sequence_96	WSEQ_DATA_WIDTH95 [2:0]			WSEQ_DATA_START95 [3:0]			WSEQ_ADDR95 [12:0]			WSEQ_DATA95 [7:0]						02270E01h	

Table 6-2. Register Map Definition—32-bit region (Cont.)

Register	Name	31 15	30 14	29 13	28 12	27 11	26 10	25 9	24 8	23 7	22 6	21 5	20 4	19 3	18 2	17 1	16 0	Default
R12480 (30C0h)	WSEQ_Sequence_97	WSEQ_DATA_WIDTH96 [2:0]				WSEQ_DATA_START96 [3:0]				WSEQ_ADDR96 [12:0]				WSEQ_DATA96 [7:0]				42410C02h
		WSEQ_DELAY96 [3:0]																
R12482 (30C2h)	WSEQ_Sequence_98	WSEQ_DATA_WIDTH97 [2:0]				WSEQ_DATA_START97 [3:0]				WSEQ_ADDR97 [12:0]				WSEQ_DATA97 [7:0]				E2410227h
		WSEQ_DELAY97 [3:0]																
R12484 (30C4h)	WSEQ_Sequence_99	WSEQ_DATA_WIDTH98 [2:0]				WSEQ_DATA_START98 [3:0]				WSEQ_ADDR98 [12:0]				WSEQ_DATA98 [7:0]				02413B01h
		WSEQ_DELAY98 [3:0]																
R12486 (30C6h)	WSEQ_Sequence_100	WSEQ_DATA_WIDTH99 [2:0]				WSEQ_DATA_START99 [3:0]				WSEQ_ADDR99 [12:0]				WSEQ_DATA99 [7:0]				E2414266h
		WSEQ_DELAY99 [3:0]																
R12488 (30C8h)	WSEQ_Sequence_101	WSEQ_DATA_WIDTH100 [2:0]				WSEQ_DATA_START100 [3:0]				WSEQ_ADDR100 [12:0]				WSEQ_DATA100 [7:0]				E2415294h
		WSEQ_DELAY100 [3:0]																
R12490 (30CAh)	WSEQ_Sequence_102	WSEQ_DATA_WIDTH101 [2:0]				WSEQ_DATA_START101 [3:0]				WSEQ_ADDR101 [12:0]				WSEQ_DATA101 [7:0]				02410B00h
		WSEQ_DELAY101 [3:0]																
R12492 (30CCh)	WSEQ_Sequence_103	WSEQ_DATA_WIDTH102 [2:0]				WSEQ_DATA_START102 [3:0]				WSEQ_ADDR102 [12:0]				WSEQ_DATA102 [7:0]				02410B00h
		WSEQ_DELAY102 [3:0]																
R12494 (30CEh)	WSEQ_Sequence_104	WSEQ_DATA_WIDTH103 [2:0]				WSEQ_DATA_START103 [3:0]				WSEQ_ADDR103 [12:0]				WSEQ_DATA103 [7:0]				E2271734h
		WSEQ_DELAY103 [3:0]																
R12496 (30D0h)	WSEQ_Sequence_105	WSEQ_DATA_WIDTH104 [2:0]				WSEQ_DATA_START104 [3:0]				WSEQ_ADDR104 [12:0]				WSEQ_DATA104 [7:0]				0227F501h
		WSEQ_DELAY104 [3:0]																
R12498 (30D2h)	WSEQ_Sequence_106	WSEQ_DATA_WIDTH105 [2:0]				WSEQ_DATA_START105 [3:0]				WSEQ_ADDR105 [12:0]				WSEQ_DATA105 [7:0]				0000F000h
		WSEQ_DELAY105 [3:0]																
R12500 (30D4h)	WSEQ_Sequence_107	WSEQ_DATA_WIDTH106 [2:0]				WSEQ_DATA_START106 [3:0]				WSEQ_ADDR106 [12:0]				WSEQ_DATA106 [7:0]				0000F000h
		WSEQ_DELAY106 [3:0]																
R12502 (30D6h)	WSEQ_Sequence_108	WSEQ_DATA_WIDTH107 [2:0]				WSEQ_DATA_START107 [3:0]				WSEQ_ADDR107 [12:0]				WSEQ_DATA107 [7:0]				0000F000h
		WSEQ_DELAY107 [3:0]																
R12504 (30D8h)	WSEQ_Sequence_109	WSEQ_DATA_WIDTH108 [2:0]				WSEQ_DATA_START108 [3:0]				WSEQ_ADDR108 [12:0]				WSEQ_DATA108 [7:0]				0000F000h
		WSEQ_DELAY108 [3:0]																
R12506 (30DAh)	WSEQ_Sequence_110	WSEQ_DATA_WIDTH109 [2:0]				WSEQ_DATA_START109 [3:0]				WSEQ_ADDR109 [12:0]				WSEQ_DATA109 [7:0]				0000F000h
		WSEQ_DELAY109 [3:0]																
R12508 (30DCh)	WSEQ_Sequence_111	WSEQ_DATA_WIDTH110 [2:0]				WSEQ_DATA_START110 [3:0]				WSEQ_ADDR110 [12:0]				WSEQ_DATA110 [7:0]				0000F000h
		WSEQ_DELAY110 [3:0]																
R12510 (30DEh)	WSEQ_Sequence_112	WSEQ_DATA_WIDTH111 [2:0]				WSEQ_DATA_START111 [3:0]				WSEQ_ADDR111 [12:0]				WSEQ_DATA111 [7:0]				02273A01h
		WSEQ_DELAY111 [3:0]																
R12512 (30E0h)	WSEQ_Sequence_113	WSEQ_DATA_WIDTH112 [2:0]				WSEQ_DATA_START112 [3:0]				WSEQ_ADDR112 [12:0]				WSEQ_DATA112 [7:0]				C2271300h
		WSEQ_DELAY112 [3:0]																
R12514 (30E2h)	WSEQ_Sequence_114	WSEQ_DATA_WIDTH113 [2:0]				WSEQ_DATA_START113 [3:0]				WSEQ_ADDR113 [12:0]				WSEQ_DATA113 [7:0]				02270B00h
		WSEQ_DELAY113 [3:0]																
R12516 (30E4h)	WSEQ_Sequence_115	WSEQ_DATA_WIDTH114 [2:0]				WSEQ_DATA_START114 [3:0]				WSEQ_ADDR114 [12:0]				WSEQ_DATA114 [7:0]				0227FF01h
		WSEQ_DELAY114 [3:0]																
R12518 (30E6h)	WSEQ_Sequence_116	WSEQ_DATA_WIDTH115 [2:0]				WSEQ_DATA_START115 [3:0]				WSEQ_ADDR115 [12:0]				WSEQ_DATA115 [7:0]				0000F000h
		WSEQ_DELAY115 [3:0]																
R12520 (30E8h)	WSEQ_Sequence_117	WSEQ_DATA_WIDTH116 [2:0]				WSEQ_DATA_START116 [3:0]				WSEQ_ADDR116 [12:0]				WSEQ_DATA116 [7:0]				0000F000h
		WSEQ_DELAY116 [3:0]																
R12522 (30EAh)	WSEQ_Sequence_118	WSEQ_DATA_WIDTH117 [2:0]				WSEQ_DATA_START117 [3:0]				WSEQ_ADDR117 [12:0]				WSEQ_DATA117 [7:0]				0000F000h
		WSEQ_DELAY117 [3:0]																
R12524 (30ECh)	WSEQ_Sequence_119	WSEQ_DATA_WIDTH118 [2:0]				WSEQ_DATA_START118 [3:0]				WSEQ_ADDR118 [12:0]				WSEQ_DATA118 [7:0]				0000F000h
		WSEQ_DELAY118 [3:0]																
R12526 (30EEh)	WSEQ_Sequence_120	WSEQ_DATA_WIDTH119 [2:0]				WSEQ_DATA_START119 [3:0]				WSEQ_ADDR119 [12:0]				WSEQ_DATA119 [7:0]				0000F000h
		WSEQ_DELAY119 [3:0]																
R12528 (30F0h)	WSEQ_Sequence_121	WSEQ_DATA_WIDTH120 [2:0]				WSEQ_DATA_START120 [3:0]				WSEQ_ADDR120 [12:0]				WSEQ_DATA120 [7:0]				0000F000h
		WSEQ_DELAY120 [3:0]																
R12530 (30F2h)	WSEQ_Sequence_122	WSEQ_DATA_WIDTH121 [2:0]				WSEQ_DATA_START121 [3:0]				WSEQ_ADDR121 [12:0]				WSEQ_DATA121 [7:0]				0000F000h
		WSEQ_DELAY121 [3:0]																
R12532 (30F4h)	WSEQ_Sequence_123	WSEQ_DATA_WIDTH122 [2:0]				WSEQ_DATA_START122 [3:0]				WSEQ_ADDR122 [12:0]				WSEQ_DATA122 [7:0]				0000F000h
		WSEQ_DELAY122 [3:0]																
R12534 (30F6h)	WSEQ_Sequence_124	WSEQ_DATA_WIDTH123 [2:0]				WSEQ_DATA_START123 [3:0]				WSEQ_ADDR123 [12:0]				WSEQ_DATA123 [7:0]				0000F000h
		WSEQ_DELAY123 [3:0]																
R12536 (30F8h)	WSEQ_Sequence_125	WSEQ_DATA_WIDTH124 [2:0]				WSEQ_DATA_START124 [3:0]				WSEQ_ADDR124 [12:0]				WSEQ_DATA124 [7:0]				82283719h
		WSEQ_DELAY124 [3:0]																
R12538 (30FAh)	WSEQ_Sequence_126	WSEQ_DATA_WIDTH125 [2:0]				WSEQ_DATA_START125 [3:0]				WSEQ_ADDR125 [12:0]				WSEQ_DATA125 [7:0]				C2400001h
		WSEQ_DELAY125 [3:0]																
R12540 (30FCh)	WSEQ_Sequence_127	WSEQ_DATA_WIDTH126 [2:0]				WSEQ_DATA_START126 [3:0]				WSEQ_ADDR126 [12:0]				WSEQ_DATA126 [7:0]				02281301h
		WSEQ_DELAY126 [3:0]																
R12542 (30FEh)	WSEQ_Sequence_128	WSEQ_DATA_WIDTH127 [2:0]				WSEQ_DATA_START127 [3:0]				WSEQ_ADDR127 [12:0]				WSEQ_DATA127 [7:0]				8228191Fh
		WSEQ_DELAY127 [3:0]																
R12544 (3100h)	WSEQ_Sequence_129	WSEQ_DATA_WIDTH128 [2:0]				WSEQ_DATA_START128 [3:0]				WSEQ_ADDR128 [12:0]				WSEQ_DATA128 [7:0]				82410B02h
		WSEQ_DELAY128 [3:0]																
R12546 (3102h)	WSEQ_Sequence_130	WSEQ_DATA_WIDTH129 [2:0]				WSEQ_DATA_START129 [3:0]				WSEQ_ADDR129 [12:0]				WSEQ_DATA129 [7:0]				E241023Bh
		WSEQ_DELAY129 [3:0]																
R12548 (3104h)	WSEQ_Sequence_131	WSEQ_DATA_WIDTH130 [2:0]				WSEQ_DATA_START130 [3:0]				WSEQ_ADDR130 [12:0]				WSEQ_DATA130 [7:0]				02413B01h
		WSEQ_DELAY130 [3:0]																
R12550 (3106h)	WSEQ_Sequence_132	WSEQ_DATA_WIDTH131 [2:0]				WSEQ_DATA_START131 [3:0]				WSEQ_ADDR131 [12:0]				WSEQ_DATA131 [7:0]				62400000h
		WSEQ_DELAY131 [3:0]																

Table 6-2. Register Map Definition—32-bit region (Cont.)

Register	Name	31 15	30 14	29 13	28 12	27 11	26 10	25 9	24 8	23 7	22 6	21 5	20 4	19 3	18 2	17 1	16 0	Default
R12552 (3108h)	WSEQ_Sequence_133	WSEQ_DATA_WIDTH132 [2:0]				WSEQ_ADDR132 [12:0]				WSEQ_DATA132 [7:0]								E2414288h
		WSEQ_DELAY132 [3:0]				WSEQ_DATA_START132 [3:0]				WSEQ_DATA132 [7:0]								
R12554 (310Ah)	WSEQ_Sequence_134	WSEQ_DATA_WIDTH133 [2:0]				WSEQ_ADDR133 [12:0]				WSEQ_DATA133 [7:0]								02410B00h
		WSEQ_DELAY133 [3:0]				WSEQ_DATA_START133 [3:0]				WSEQ_DATA133 [7:0]								
R12556 (310Ch)	WSEQ_Sequence_135	WSEQ_DATA_WIDTH134 [2:0]				WSEQ_ADDR134 [12:0]				WSEQ_DATA134 [7:0]								02410B00h
		WSEQ_DELAY134 [3:0]				WSEQ_DATA_START134 [3:0]				WSEQ_DATA134 [7:0]								
R12558 (310Eh)	WSEQ_Sequence_136	WSEQ_DATA_WIDTH135 [2:0]				WSEQ_ADDR135 [12:0]				WSEQ_DATA135 [7:0]								02280E01h
		WSEQ_DELAY135 [3:0]				WSEQ_DATA_START135 [3:0]				WSEQ_DATA135 [7:0]								
R12560 (3110h)	WSEQ_Sequence_137	WSEQ_DATA_WIDTH136 [2:0]				WSEQ_ADDR136 [12:0]				WSEQ_DATA136 [7:0]								42410C03h
		WSEQ_DELAY136 [3:0]				WSEQ_DATA_START136 [3:0]				WSEQ_DATA136 [7:0]								
R12562 (3112h)	WSEQ_Sequence_138	WSEQ_DATA_WIDTH137 [2:0]				WSEQ_ADDR137 [12:0]				WSEQ_DATA137 [7:0]								E2410227h
		WSEQ_DELAY137 [3:0]				WSEQ_DATA_START137 [3:0]				WSEQ_DATA137 [7:0]								
R12564 (3114h)	WSEQ_Sequence_139	WSEQ_DATA_WIDTH138 [2:0]				WSEQ_ADDR138 [12:0]				WSEQ_DATA138 [7:0]								02413B01h
		WSEQ_DELAY138 [3:0]				WSEQ_DATA_START138 [3:0]				WSEQ_DATA138 [7:0]								
R12566 (3116h)	WSEQ_Sequence_140	WSEQ_DATA_WIDTH139 [2:0]				WSEQ_ADDR139 [12:0]				WSEQ_DATA139 [7:0]								E2414266h
		WSEQ_DELAY139 [3:0]				WSEQ_DATA_START139 [3:0]				WSEQ_DATA139 [7:0]								
R12568 (3118h)	WSEQ_Sequence_141	WSEQ_DATA_WIDTH140 [2:0]				WSEQ_ADDR140 [12:0]				WSEQ_DATA140 [7:0]								E2415294h
		WSEQ_DELAY140 [3:0]				WSEQ_DATA_START140 [3:0]				WSEQ_DATA140 [7:0]								
R12570 (311Ah)	WSEQ_Sequence_142	WSEQ_DATA_WIDTH141 [2:0]				WSEQ_ADDR141 [12:0]				WSEQ_DATA141 [7:0]								02410B00h
		WSEQ_DELAY141 [3:0]				WSEQ_DATA_START141 [3:0]				WSEQ_DATA141 [7:0]								
R12572 (311Ch)	WSEQ_Sequence_143	WSEQ_DATA_WIDTH142 [2:0]				WSEQ_ADDR142 [12:0]				WSEQ_DATA142 [7:0]								02410B00h
		WSEQ_DELAY142 [3:0]				WSEQ_DATA_START142 [3:0]				WSEQ_DATA142 [7:0]								
R12574 (311Eh)	WSEQ_Sequence_144	WSEQ_DATA_WIDTH143 [2:0]				WSEQ_ADDR143 [12:0]				WSEQ_DATA143 [7:0]								E2281734h
		WSEQ_DELAY143 [3:0]				WSEQ_DATA_START143 [3:0]				WSEQ_DATA143 [7:0]								
R12576 (3120h)	WSEQ_Sequence_145	WSEQ_DATA_WIDTH144 [2:0]				WSEQ_ADDR144 [12:0]				WSEQ_DATA144 [7:0]								0228F501h
		WSEQ_DELAY144 [3:0]				WSEQ_DATA_START144 [3:0]				WSEQ_DATA144 [7:0]								
R12578 (3122h)	WSEQ_Sequence_146	WSEQ_DATA_WIDTH145 [2:0]				WSEQ_ADDR145 [12:0]				WSEQ_DATA145 [7:0]								0000F000h
		WSEQ_DELAY145 [3:0]				WSEQ_DATA_START145 [3:0]				WSEQ_DATA145 [7:0]								
R12580 (3124h)	WSEQ_Sequence_147	WSEQ_DATA_WIDTH146 [2:0]				WSEQ_ADDR146 [12:0]				WSEQ_DATA146 [7:0]								0000F000h
		WSEQ_DELAY146 [3:0]				WSEQ_DATA_START146 [3:0]				WSEQ_DATA146 [7:0]								
R12582 (3126h)	WSEQ_Sequence_148	WSEQ_DATA_WIDTH147 [2:0]				WSEQ_ADDR147 [12:0]				WSEQ_DATA147 [7:0]								0000F000h
		WSEQ_DELAY147 [3:0]				WSEQ_DATA_START147 [3:0]				WSEQ_DATA147 [7:0]								
R12584 (3128h)	WSEQ_Sequence_149	WSEQ_DATA_WIDTH148 [2:0]				WSEQ_ADDR148 [12:0]				WSEQ_DATA148 [7:0]								0000F000h
		WSEQ_DELAY148 [3:0]				WSEQ_DATA_START148 [3:0]				WSEQ_DATA148 [7:0]								
R12586 (312Ah)	WSEQ_Sequence_150	WSEQ_DATA_WIDTH149 [2:0]				WSEQ_ADDR149 [12:0]				WSEQ_DATA149 [7:0]								0000F000h
		WSEQ_DELAY149 [3:0]				WSEQ_DATA_START149 [3:0]				WSEQ_DATA149 [7:0]								
R12588 (312Ch)	WSEQ_Sequence_151	WSEQ_DATA_WIDTH150 [2:0]				WSEQ_ADDR150 [12:0]				WSEQ_DATA150 [7:0]								0000F000h
		WSEQ_DELAY150 [3:0]				WSEQ_DATA_START150 [3:0]				WSEQ_DATA150 [7:0]								
R12590 (312Eh)	WSEQ_Sequence_152	WSEQ_DATA_WIDTH151 [2:0]				WSEQ_ADDR151 [12:0]				WSEQ_DATA151 [7:0]								02283A01h
		WSEQ_DELAY151 [3:0]				WSEQ_DATA_START151 [3:0]				WSEQ_DATA151 [7:0]								
R12592 (3130h)	WSEQ_Sequence_153	WSEQ_DATA_WIDTH152 [2:0]				WSEQ_ADDR152 [12:0]				WSEQ_DATA152 [7:0]								C2281300h
		WSEQ_DELAY152 [3:0]				WSEQ_DATA_START152 [3:0]				WSEQ_DATA152 [7:0]								
R12594 (3132h)	WSEQ_Sequence_154	WSEQ_DATA_WIDTH153 [2:0]				WSEQ_ADDR153 [12:0]				WSEQ_DATA153 [7:0]								02280B00h
		WSEQ_DELAY153 [3:0]				WSEQ_DATA_START153 [3:0]				WSEQ_DATA153 [7:0]								
R12596 (3134h)	WSEQ_Sequence_155	WSEQ_DATA_WIDTH154 [2:0]				WSEQ_ADDR154 [12:0]				WSEQ_DATA154 [7:0]								0228FF01h
		WSEQ_DELAY154 [3:0]				WSEQ_DATA_START154 [3:0]				WSEQ_DATA154 [7:0]								
R12598 (3136h)	WSEQ_Sequence_156	WSEQ_DATA_WIDTH155 [2:0]				WSEQ_ADDR155 [12:0]				WSEQ_DATA155 [7:0]								0000F000h
		WSEQ_DELAY155 [3:0]				WSEQ_DATA_START155 [3:0]				WSEQ_DATA155 [7:0]								
R12600 (3138h)	WSEQ_Sequence_157	WSEQ_DATA_WIDTH156 [2:0]				WSEQ_ADDR156 [12:0]				WSEQ_DATA156 [7:0]								0000F000h
		WSEQ_DELAY156 [3:0]				WSEQ_DATA_START156 [3:0]				WSEQ_DATA156 [7:0]								
R12602 (313Ah)	WSEQ_Sequence_158	WSEQ_DATA_WIDTH157 [2:0]				WSEQ_ADDR157 [12:0]				WSEQ_DATA157 [7:0]								0000F000h
		WSEQ_DELAY157 [3:0]				WSEQ_DATA_START157 [3:0]				WSEQ_DATA157 [7:0]								
R12604 (313Ch)	WSEQ_Sequence_159	WSEQ_DATA_WIDTH158 [2:0]				WSEQ_ADDR158 [12:0]				WSEQ_DATA158 [7:0]								0000F000h
		WSEQ_DELAY158 [3:0]				WSEQ_DATA_START158 [3:0]				WSEQ_DATA158 [7:0]								
R12606 (313Eh)	WSEQ_Sequence_160	WSEQ_DATA_WIDTH159 [2:0]				WSEQ_ADDR159 [12:0]				WSEQ_DATA159 [7:0]								0000F000h
		WSEQ_DELAY159 [3:0]				WSEQ_DATA_START159 [3:0]				WSEQ_DATA159 [7:0]								
R12608 (3140h)	WSEQ_Sequence_161	WSEQ_DATA_WIDTH160 [2:0]				WSEQ_ADDR160 [12:0]				WSEQ_DATA160 [7:0]								0000F000h
		WSEQ_DELAY160 [3:0]				WSEQ_DATA_START160 [3:0]				WSEQ_DATA160 [7:0]								
R12610 (3142h)	WSEQ_Sequence_162	WSEQ_DATA_WIDTH161 [2:0]				WSEQ_ADDR161 [12:0]				WSEQ_DATA161 [7:0]								0000F000h
		WSEQ_DELAY161 [3:0]				WSEQ_DATA_START161 [3:0]				WSEQ_DATA161 [7:0]								
R12612 (3144h)	WSEQ_Sequence_163	WSEQ_DATA_WIDTH162 [2:0]				WSEQ_ADDR162 [12:0]				WSEQ_DATA162 [7:0]								0000F000h
		WSEQ_DELAY162 [3:0]				WSEQ_DATA_START162 [3:0]				WSEQ_DATA162 [7:0]								
R12614 (3146h)	WSEQ_Sequence_164	WSEQ_DATA_WIDTH163 [2:0]				WSEQ_ADDR163 [12:0]				WSEQ_DATA163 [7:0]								0000F000h
		WSEQ_DELAY163 [3:0]				WSEQ_DATA_START163 [3:0]				WSEQ_DATA163 [7:0]								
R12616 (3148h)	WSEQ_Sequence_165	WSEQ_DATA_WIDTH164 [2:0]				WSEQ_ADDR164 [12:0]				WSEQ_DATA164 [7:0]								82293719h
		WSEQ_DELAY164 [3:0]				WSEQ_DATA_START164 [3:0]				WSEQ_DATA164 [7:0]								
R12618 (314Ah)	WSEQ_Sequence_166	WSEQ_DATA_WIDTH165 [2:0]				WSEQ_ADDR165 [12:0]				WSEQ_DATA165 [7:0]								C2500001h
		WSEQ_DELAY165 [3:0]				WSEQ_DATA_START165 [3:0]				WSEQ_DATA165 [7:0]								
R12620 (314Ch)	WSEQ_Sequence_167	WSEQ_DATA_WIDTH166 [2:0]				WSEQ_ADDR166 [12:0]				WSEQ_DATA166 [7:0]								02291301h
		WSEQ_DELAY166 [3:0]				WSEQ_DATA_START166 [3:0]				WSEQ_DATA166 [7:0]								
R12622 (314Eh)	WSEQ_Sequence_168	WSEQ_DATA_WIDTH167 [2:0]				WSEQ_ADDR167 [12:0]				WSEQ_DATA167 [7:0]								8229191Fh
		WSEQ_DELAY167 [3:0]				WSEQ_DATA_START167 [3:0]				WSEQ_DATA167 [7:0]								

Table 6-2. Register Map Definition—32-bit region (Cont.)

Register	Name	31 15	30 14	29 13	28 12	27 11	26 10	25 9	24 8	23 7	22 6	21 5	20 4	19 3	18 2	17 1	16 0	Default	
R12624 (3150h)	WSEQ_Sequence_169	WSEQ_DATA_WIDTH168 [2:0]				WSEQ_ADDR168 [12:0]													82510B00h
		WSEQ_DELAY168 [3:0]			WSEQ_DATA_START168 [3:0]			WSEQ_DATA168 [7:0]											
R12626 (3152h)	WSEQ_Sequence_170	WSEQ_DATA_WIDTH169 [2:0]				WSEQ_ADDR169 [12:0]													E251023Bh
		WSEQ_DELAY169 [3:0]			WSEQ_DATA_START169 [3:0]			WSEQ_DATA169 [7:0]											
R12628 (3154h)	WSEQ_Sequence_171	WSEQ_DATA_WIDTH170 [2:0]				WSEQ_ADDR170 [12:0]													02513B01h
		WSEQ_DELAY170 [3:0]			WSEQ_DATA_START170 [3:0]			WSEQ_DATA170 [7:0]											
R12630 (3156h)	WSEQ_Sequence_172	WSEQ_DATA_WIDTH171 [2:0]				WSEQ_ADDR171 [12:0]													62500000h
		WSEQ_DELAY171 [3:0]			WSEQ_DATA_START171 [3:0]			WSEQ_DATA171 [7:0]											
R12632 (3158h)	WSEQ_Sequence_173	WSEQ_DATA_WIDTH172 [2:0]				WSEQ_ADDR172 [12:0]													E2514288h
		WSEQ_DELAY172 [3:0]			WSEQ_DATA_START172 [3:0]			WSEQ_DATA172 [7:0]											
R12634 (315Ah)	WSEQ_Sequence_174	WSEQ_DATA_WIDTH173 [2:0]				WSEQ_ADDR173 [12:0]													02510B00h
		WSEQ_DELAY173 [3:0]			WSEQ_DATA_START173 [3:0]			WSEQ_DATA173 [7:0]											
R12636 (315Ch)	WSEQ_Sequence_175	WSEQ_DATA_WIDTH174 [2:0]				WSEQ_ADDR174 [12:0]													02510B00h
		WSEQ_DELAY174 [3:0]			WSEQ_DATA_START174 [3:0]			WSEQ_DATA174 [7:0]											
R12638 (315Eh)	WSEQ_Sequence_176	WSEQ_DATA_WIDTH175 [2:0]				WSEQ_ADDR175 [12:0]													02290E01h
		WSEQ_DELAY175 [3:0]			WSEQ_DATA_START175 [3:0]			WSEQ_DATA175 [7:0]											
R12640 (3160h)	WSEQ_Sequence_177	WSEQ_DATA_WIDTH176 [2:0]				WSEQ_ADDR176 [12:0]													42510C02h
		WSEQ_DELAY176 [3:0]			WSEQ_DATA_START176 [3:0]			WSEQ_DATA176 [7:0]											
R12642 (3162h)	WSEQ_Sequence_178	WSEQ_DATA_WIDTH177 [2:0]				WSEQ_ADDR177 [12:0]													E2510227h
		WSEQ_DELAY177 [3:0]			WSEQ_DATA_START177 [3:0]			WSEQ_DATA177 [7:0]											
R12644 (3164h)	WSEQ_Sequence_179	WSEQ_DATA_WIDTH178 [2:0]				WSEQ_ADDR178 [12:0]													02513B01h
		WSEQ_DELAY178 [3:0]			WSEQ_DATA_START178 [3:0]			WSEQ_DATA178 [7:0]											
R12646 (3166h)	WSEQ_Sequence_180	WSEQ_DATA_WIDTH179 [2:0]				WSEQ_ADDR179 [12:0]													E2514266h
		WSEQ_DELAY179 [3:0]			WSEQ_DATA_START179 [3:0]			WSEQ_DATA179 [7:0]											
R12648 (3168h)	WSEQ_Sequence_181	WSEQ_DATA_WIDTH180 [2:0]				WSEQ_ADDR180 [12:0]													E2515294h
		WSEQ_DELAY180 [3:0]			WSEQ_DATA_START180 [3:0]			WSEQ_DATA180 [7:0]											
R12650 (316Ah)	WSEQ_Sequence_182	WSEQ_DATA_WIDTH181 [2:0]				WSEQ_ADDR181 [12:0]													02510B00h
		WSEQ_DELAY181 [3:0]			WSEQ_DATA_START181 [3:0]			WSEQ_DATA181 [7:0]											
R12652 (316Ch)	WSEQ_Sequence_183	WSEQ_DATA_WIDTH182 [2:0]				WSEQ_ADDR182 [12:0]													02510B00h
		WSEQ_DELAY182 [3:0]			WSEQ_DATA_START182 [3:0]			WSEQ_DATA182 [7:0]											
R12654 (316Eh)	WSEQ_Sequence_184	WSEQ_DATA_WIDTH183 [2:0]				WSEQ_ADDR183 [12:0]													E2291734h
		WSEQ_DELAY183 [3:0]			WSEQ_DATA_START183 [3:0]			WSEQ_DATA183 [7:0]											
R12656 (3170h)	WSEQ_Sequence_185	WSEQ_DATA_WIDTH184 [2:0]				WSEQ_ADDR184 [12:0]													0229F501h
		WSEQ_DELAY184 [3:0]			WSEQ_DATA_START184 [3:0]			WSEQ_DATA184 [7:0]											
R12658 (3172h)	WSEQ_Sequence_186	WSEQ_DATA_WIDTH185 [2:0]				WSEQ_ADDR185 [12:0]													0000F000h
		WSEQ_DELAY185 [3:0]			WSEQ_DATA_START185 [3:0]			WSEQ_DATA185 [7:0]											
R12660 (3174h)	WSEQ_Sequence_187	WSEQ_DATA_WIDTH186 [2:0]				WSEQ_ADDR186 [12:0]													0000F000h
		WSEQ_DELAY186 [3:0]			WSEQ_DATA_START186 [3:0]			WSEQ_DATA186 [7:0]											
R12662 (3176h)	WSEQ_Sequence_188	WSEQ_DATA_WIDTH187 [2:0]				WSEQ_ADDR187 [12:0]													0000F000h
		WSEQ_DELAY187 [3:0]			WSEQ_DATA_START187 [3:0]			WSEQ_DATA187 [7:0]											
R12664 (3178h)	WSEQ_Sequence_189	WSEQ_DATA_WIDTH188 [2:0]				WSEQ_ADDR188 [12:0]													0000F000h
		WSEQ_DELAY188 [3:0]			WSEQ_DATA_START188 [3:0]			WSEQ_DATA188 [7:0]											
R12666 (317Ah)	WSEQ_Sequence_190	WSEQ_DATA_WIDTH189 [2:0]				WSEQ_ADDR189 [12:0]													0000F000h
		WSEQ_DELAY189 [3:0]			WSEQ_DATA_START189 [3:0]			WSEQ_DATA189 [7:0]											
R12668 (317Ch)	WSEQ_Sequence_191	WSEQ_DATA_WIDTH190 [2:0]				WSEQ_ADDR190 [12:0]													0000F000h
		WSEQ_DELAY190 [3:0]			WSEQ_DATA_START190 [3:0]			WSEQ_DATA190 [7:0]											
R12670 (317Eh)	WSEQ_Sequence_192	WSEQ_DATA_WIDTH191 [2:0]				WSEQ_ADDR191 [12:0]													02293A01h
		WSEQ_DELAY191 [3:0]			WSEQ_DATA_START191 [3:0]			WSEQ_DATA191 [7:0]											
R12672 (3180h)	WSEQ_Sequence_193	WSEQ_DATA_WIDTH192 [2:0]				WSEQ_ADDR192 [12:0]													C2291300h
		WSEQ_DELAY192 [3:0]			WSEQ_DATA_START192 [3:0]			WSEQ_DATA192 [7:0]											
R12674 (3182h)	WSEQ_Sequence_194	WSEQ_DATA_WIDTH193 [2:0]				WSEQ_ADDR193 [12:0]													02290B00h
		WSEQ_DELAY193 [3:0]			WSEQ_DATA_START193 [3:0]			WSEQ_DATA193 [7:0]											
R12676 (3184h)	WSEQ_Sequence_195	WSEQ_DATA_WIDTH194 [2:0]				WSEQ_ADDR194 [12:0]													0229FF01h
		WSEQ_DELAY194 [3:0]			WSEQ_DATA_START194 [3:0]			WSEQ_DATA194 [7:0]											
R12678 (3186h)	WSEQ_Sequence_196	WSEQ_DATA_WIDTH195 [2:0]				WSEQ_ADDR195 [12:0]													0000F000h
		WSEQ_DELAY195 [3:0]			WSEQ_DATA_START195 [3:0]			WSEQ_DATA195 [7:0]											
R12680 (3188h)	WSEQ_Sequence_197	WSEQ_DATA_WIDTH196 [2:0]				WSEQ_ADDR196 [12:0]													0000F000h
		WSEQ_DELAY196 [3:0]			WSEQ_DATA_START196 [3:0]			WSEQ_DATA196 [7:0]											
R12682 (318Ah)	WSEQ_Sequence_198	WSEQ_DATA_WIDTH197 [2:0]				WSEQ_ADDR197 [12:0]													0000F000h
		WSEQ_DELAY197 [3:0]			WSEQ_DATA_START197 [3:0]			WSEQ_DATA197 [7:0]											
R12684 (318Ch)	WSEQ_Sequence_199	WSEQ_DATA_WIDTH198 [2:0]				WSEQ_ADDR198 [12:0]													0000F000h
		WSEQ_DELAY198 [3:0]			WSEQ_DATA_START198 [3:0]			WSEQ_DATA198 [7:0]											
R12686 (318Eh)	WSEQ_Sequence_200	WSEQ_DATA_WIDTH199 [2:0]				WSEQ_ADDR199 [12:0]													0000F000h
		WSEQ_DELAY199 [3:0]			WSEQ_DATA_START199 [3:0]			WSEQ_DATA199 [7:0]											
R12688 (3190h)	WSEQ_Sequence_201	WSEQ_DATA_WIDTH200 [2:0]				WSEQ_ADDR200 [12:0]													0000F000h
		WSEQ_DELAY200 [3:0]			WSEQ_DATA_START200 [3:0]			WSEQ_DATA200 [7:0]											
R12690 (3192h)	WSEQ_Sequence_202	WSEQ_DATA_WIDTH201 [2:0]				WSEQ_ADDR201 [12:0]													0000F000h
		WSEQ_DELAY201 [3:0]			WSEQ_DATA_START201 [3:0]			WSEQ_DATA201 [7:0]											
R12692 (3194h)	WSEQ_Sequence_203	WSEQ_DATA_WIDTH202 [2:0]				WSEQ_ADDR202 [12:0]													0000F000h
		WSEQ_DELAY202 [3:0]			WSEQ_DATA_START202 [3:0]			WSEQ_DATA202 [7:0]											
R12694 (3196h)	WSEQ_Sequence_204	WSEQ_DATA_WIDTH203 [2:0]				WSEQ_ADDR203 [12:0]													0000F000h
		WSEQ_DELAY203 [3:0]			WSEQ_DATA_START203 [3:0]			WSEQ_DATA203 [7:0]											

Table 6-2. Register Map Definition—32-bit region (Cont.)

Register	Name	31 15	30 14	29 13	28 12	27 11	26 10	25 9	24 8	23 7	22 6	21 5	20 4	19 3	18 2	17 1	16 0	Default
R12696 (3198h)	WSEQ_Sequence_205	WSEQ_DATA_WIDTH204 [2:0]			WSEQ_DATA_START204 [3:0]			WSEQ_ADDR204 [12:0]			WSEQ_DATA204 [7:0]						822A3719h	
R12698 (319Ah)	WSEQ_Sequence_206	WSEQ_DATA_WIDTH205 [2:0]			WSEQ_DATA_START205 [3:0]			WSEQ_ADDR205 [12:0]			WSEQ_DATA205 [7:0]						C2500001h	
R12700 (319Ch)	WSEQ_Sequence_207	WSEQ_DATA_WIDTH206 [2:0]			WSEQ_DATA_START206 [3:0]			WSEQ_ADDR206 [12:0]			WSEQ_DATA206 [7:0]						022A1301h	
R12702 (319Eh)	WSEQ_Sequence_208	WSEQ_DATA_WIDTH207 [2:0]			WSEQ_DATA_START207 [3:0]			WSEQ_ADDR207 [12:0]			WSEQ_DATA207 [7:0]						822A191Fh	
R12704 (31A0h)	WSEQ_Sequence_209	WSEQ_DATA_WIDTH208 [2:0]			WSEQ_DATA_START208 [3:0]			WSEQ_ADDR208 [12:0]			WSEQ_DATA208 [7:0]						82510B02h	
R12706 (31A2h)	WSEQ_Sequence_210	WSEQ_DATA_WIDTH209 [2:0]			WSEQ_DATA_START209 [3:0]			WSEQ_ADDR209 [12:0]			WSEQ_DATA209 [7:0]						E251023Bh	
R12708 (31A4h)	WSEQ_Sequence_211	WSEQ_DATA_WIDTH210 [2:0]			WSEQ_DATA_START210 [3:0]			WSEQ_ADDR210 [12:0]			WSEQ_DATA210 [7:0]						02513B01h	
R12710 (31A6h)	WSEQ_Sequence_212	WSEQ_DATA_WIDTH211 [2:0]			WSEQ_DATA_START211 [3:0]			WSEQ_ADDR211 [12:0]			WSEQ_DATA211 [7:0]						62500000h	
R12712 (31A8h)	WSEQ_Sequence_213	WSEQ_DATA_WIDTH212 [2:0]			WSEQ_DATA_START212 [3:0]			WSEQ_ADDR212 [12:0]			WSEQ_DATA212 [7:0]						E2514288h	
R12714 (31AAh)	WSEQ_Sequence_214	WSEQ_DATA_WIDTH213 [2:0]			WSEQ_DATA_START213 [3:0]			WSEQ_ADDR213 [12:0]			WSEQ_DATA213 [7:0]						02510B00h	
R12716 (31ACH)	WSEQ_Sequence_215	WSEQ_DATA_WIDTH214 [2:0]			WSEQ_DATA_START214 [3:0]			WSEQ_ADDR214 [12:0]			WSEQ_DATA214 [7:0]						02510B00h	
R12718 (31AEh)	WSEQ_Sequence_216	WSEQ_DATA_WIDTH215 [2:0]			WSEQ_DATA_START215 [3:0]			WSEQ_ADDR215 [12:0]			WSEQ_DATA215 [7:0]						022A0E01h	
R12720 (31B0h)	WSEQ_Sequence_217	WSEQ_DATA_WIDTH216 [2:0]			WSEQ_DATA_START216 [3:0]			WSEQ_ADDR216 [12:0]			WSEQ_DATA216 [7:0]						42510C03h	
R12722 (31B2h)	WSEQ_Sequence_218	WSEQ_DATA_WIDTH217 [2:0]			WSEQ_DATA_START217 [3:0]			WSEQ_ADDR217 [12:0]			WSEQ_DATA217 [7:0]						E2510227h	
R12724 (31B4h)	WSEQ_Sequence_219	WSEQ_DATA_WIDTH218 [2:0]			WSEQ_DATA_START218 [3:0]			WSEQ_ADDR218 [12:0]			WSEQ_DATA218 [7:0]						02513B01h	
R12726 (31B6h)	WSEQ_Sequence_220	WSEQ_DATA_WIDTH219 [2:0]			WSEQ_DATA_START219 [3:0]			WSEQ_ADDR219 [12:0]			WSEQ_DATA219 [7:0]						E2514266h	
R12728 (31B8h)	WSEQ_Sequence_221	WSEQ_DATA_WIDTH220 [2:0]			WSEQ_DATA_START220 [3:0]			WSEQ_ADDR220 [12:0]			WSEQ_DATA220 [7:0]						E2515294h	
R12730 (31BAh)	WSEQ_Sequence_222	WSEQ_DATA_WIDTH221 [2:0]			WSEQ_DATA_START221 [3:0]			WSEQ_ADDR221 [12:0]			WSEQ_DATA221 [7:0]						02510B00h	
R12732 (31BCh)	WSEQ_Sequence_223	WSEQ_DATA_WIDTH222 [2:0]			WSEQ_DATA_START222 [3:0]			WSEQ_ADDR222 [12:0]			WSEQ_DATA222 [7:0]						02510B00h	
R12734 (31BEh)	WSEQ_Sequence_224	WSEQ_DATA_WIDTH223 [2:0]			WSEQ_DATA_START223 [3:0]			WSEQ_ADDR223 [12:0]			WSEQ_DATA223 [7:0]						E22A1734h	
R12736 (31C0h)	WSEQ_Sequence_225	WSEQ_DATA_WIDTH224 [2:0]			WSEQ_DATA_START224 [3:0]			WSEQ_ADDR224 [12:0]			WSEQ_DATA224 [7:0]						022AF501h	
R12738 (31C2h)	WSEQ_Sequence_226	WSEQ_DATA_WIDTH225 [2:0]			WSEQ_DATA_START225 [3:0]			WSEQ_ADDR225 [12:0]			WSEQ_DATA225 [7:0]						0000F000h	
R12740 (31C4h)	WSEQ_Sequence_227	WSEQ_DATA_WIDTH226 [2:0]			WSEQ_DATA_START226 [3:0]			WSEQ_ADDR226 [12:0]			WSEQ_DATA226 [7:0]						0000F000h	
R12742 (31C6h)	WSEQ_Sequence_228	WSEQ_DATA_WIDTH227 [2:0]			WSEQ_DATA_START227 [3:0]			WSEQ_ADDR227 [12:0]			WSEQ_DATA227 [7:0]						0000F000h	
R12744 (31C8h)	WSEQ_Sequence_229	WSEQ_DATA_WIDTH228 [2:0]			WSEQ_DATA_START228 [3:0]			WSEQ_ADDR228 [12:0]			WSEQ_DATA228 [7:0]						0000F000h	
R12746 (31CAh)	WSEQ_Sequence_230	WSEQ_DATA_WIDTH229 [2:0]			WSEQ_DATA_START229 [3:0]			WSEQ_ADDR229 [12:0]			WSEQ_DATA229 [7:0]						0000F000h	
R12748 (31CCh)	WSEQ_Sequence_231	WSEQ_DATA_WIDTH230 [2:0]			WSEQ_DATA_START230 [3:0]			WSEQ_ADDR230 [12:0]			WSEQ_DATA230 [7:0]						0000F000h	
R12750 (31CEh)	WSEQ_Sequence_232	WSEQ_DATA_WIDTH231 [2:0]			WSEQ_DATA_START231 [3:0]			WSEQ_ADDR231 [12:0]			WSEQ_DATA231 [7:0]						022A3A01h	
R12752 (31D0h)	WSEQ_Sequence_233	WSEQ_DATA_WIDTH232 [2:0]			WSEQ_DATA_START232 [3:0]			WSEQ_ADDR232 [12:0]			WSEQ_DATA232 [7:0]						C22A1300h	
R12754 (31D2h)	WSEQ_Sequence_234	WSEQ_DATA_WIDTH233 [2:0]			WSEQ_DATA_START233 [3:0]			WSEQ_ADDR233 [12:0]			WSEQ_DATA233 [7:0]						022A0B00h	
R12756 (31D4h)	WSEQ_Sequence_235	WSEQ_DATA_WIDTH234 [2:0]			WSEQ_DATA_START234 [3:0]			WSEQ_ADDR234 [12:0]			WSEQ_DATA234 [7:0]						022AFF01h	
R12758 (31D6h)	WSEQ_Sequence_236	WSEQ_DATA_WIDTH235 [2:0]			WSEQ_DATA_START235 [3:0]			WSEQ_ADDR235 [12:0]			WSEQ_DATA235 [7:0]						0000F000h	
R12760 (31D8h)	WSEQ_Sequence_237	WSEQ_DATA_WIDTH236 [2:0]			WSEQ_DATA_START236 [3:0]			WSEQ_ADDR236 [12:0]			WSEQ_DATA236 [7:0]						0000F000h	
R12762 (31DAh)	WSEQ_Sequence_238	WSEQ_DATA_WIDTH237 [2:0]			WSEQ_DATA_START237 [3:0]			WSEQ_ADDR237 [12:0]			WSEQ_DATA237 [7:0]						0000F000h	
R12764 (31DCh)	WSEQ_Sequence_239	WSEQ_DATA_WIDTH238 [2:0]			WSEQ_DATA_START238 [3:0]			WSEQ_ADDR238 [12:0]			WSEQ_DATA238 [7:0]						0000F000h	
R12766 (31DEh)	WSEQ_Sequence_240	WSEQ_DATA_WIDTH239 [2:0]			WSEQ_DATA_START239 [3:0]			WSEQ_ADDR239 [12:0]			WSEQ_DATA239 [7:0]						0000F000h	

Table 6-2. Register Map Definition—32-bit region (Cont.)

Register	Name	31 15	30 14	29 13	28 12	27 11	26 10	25 9	24 8	23 7	22 6	21 5	20 4	19 3	18 2	17 1	16 0	Default
R12768 (31E0h)	WSEQ_Sequence_241	WSEQ_DATA_WIDTH240 [2:0]				WSEQ_DATA_START240 [3:0]				WSEQ_ADDR240 [12:0]				WSEQ_DATA240 [7:0]				0000F000h
		WSEQ_DELAY240 [3:0]																
R12770 (31E2h)	WSEQ_Sequence_242	WSEQ_DATA_WIDTH241 [2:0]				WSEQ_DATA_START241 [3:0]				WSEQ_ADDR241 [12:0]				WSEQ_DATA241 [7:0]				0000F000h
		WSEQ_DELAY241 [3:0]																
R12772 (31E4h)	WSEQ_Sequence_243	WSEQ_DATA_WIDTH242 [2:0]				WSEQ_DATA_START242 [3:0]				WSEQ_ADDR242 [12:0]				WSEQ_DATA242 [7:0]				0000F000h
		WSEQ_DELAY242 [3:0]																
R12774 (31E6h)	WSEQ_Sequence_244	WSEQ_DATA_WIDTH243 [2:0]				WSEQ_DATA_START243 [3:0]				WSEQ_ADDR243 [12:0]				WSEQ_DATA243 [7:0]				0000F000h
		WSEQ_DELAY243 [3:0]																
R12776 (31E8h)	WSEQ_Sequence_245	WSEQ_DATA_WIDTH244 [2:0]				WSEQ_DATA_START244 [3:0]				WSEQ_ADDR244 [12:0]				WSEQ_DATA244 [7:0]				0000F000h
		WSEQ_DELAY244 [3:0]																
R12778 (31EAh)	WSEQ_Sequence_246	WSEQ_DATA_WIDTH245 [2:0]				WSEQ_DATA_START245 [3:0]				WSEQ_ADDR245 [12:0]				WSEQ_DATA245 [7:0]				0000F000h
		WSEQ_DELAY245 [3:0]																
R12780 (31ECh)	WSEQ_Sequence_247	WSEQ_DATA_WIDTH246 [2:0]				WSEQ_DATA_START246 [3:0]				WSEQ_ADDR246 [12:0]				WSEQ_DATA246 [7:0]				0000F000h
		WSEQ_DELAY246 [3:0]																
R12782 (31EEh)	WSEQ_Sequence_248	WSEQ_DATA_WIDTH247 [2:0]				WSEQ_DATA_START247 [3:0]				WSEQ_ADDR247 [12:0]				WSEQ_DATA247 [7:0]				0000F000h
		WSEQ_DELAY247 [3:0]																
R12784 (31F0h)	WSEQ_Sequence_249	WSEQ_DATA_WIDTH248 [2:0]				WSEQ_DATA_START248 [3:0]				WSEQ_ADDR248 [12:0]				WSEQ_DATA248 [7:0]				0000F000h
		WSEQ_DELAY248 [3:0]																
R12786 (31F2h)	WSEQ_Sequence_250	WSEQ_DATA_WIDTH249 [2:0]				WSEQ_DATA_START249 [3:0]				WSEQ_ADDR249 [12:0]				WSEQ_DATA249 [7:0]				0000F000h
		WSEQ_DELAY249 [3:0]																
R12788 (31F4h)	WSEQ_Sequence_251	WSEQ_DATA_WIDTH250 [2:0]				WSEQ_DATA_START250 [3:0]				WSEQ_ADDR250 [12:0]				WSEQ_DATA250 [7:0]				0000F000h
		WSEQ_DELAY250 [3:0]																
R12790 (31F6h)	WSEQ_Sequence_252	WSEQ_DATA_WIDTH251 [2:0]				WSEQ_DATA_START251 [3:0]				WSEQ_ADDR251 [12:0]				WSEQ_DATA251 [7:0]				0000F000h
		WSEQ_DELAY251 [3:0]																
R12792 (31F8h)	WSEQ_Sequence_253	WSEQ_DATA_WIDTH252 [2:0]				WSEQ_DATA_START252 [3:0]				WSEQ_ADDR252 [12:0]				WSEQ_DATA252 [7:0]				0000F000h
		WSEQ_DELAY252 [3:0]																
R12794 (31FAh)	WSEQ_Sequence_254	WSEQ_DATA_WIDTH253 [2:0]				WSEQ_DATA_START253 [3:0]				WSEQ_ADDR253 [12:0]				WSEQ_DATA253 [7:0]				0000F000h
		WSEQ_DELAY253 [3:0]																
R12796 (31FCh)	WSEQ_Sequence_255	WSEQ_DATA_WIDTH254 [2:0]				WSEQ_DATA_START254 [3:0]				WSEQ_ADDR254 [12:0]				WSEQ_DATA254 [7:0]				0000F000h
		WSEQ_DELAY254 [3:0]																
R12798 (31FEh)	WSEQ_Sequence_256	WSEQ_DATA_WIDTH255 [2:0]				WSEQ_DATA_START255 [3:0]				WSEQ_ADDR255 [12:0]				WSEQ_DATA255 [7:0]				0000F000h
		WSEQ_DELAY255 [3:0]																
R12800 (3200h)	WSEQ_Sequence_257	WSEQ_DATA_WIDTH256 [2:0]				WSEQ_DATA_START256 [3:0]				WSEQ_ADDR256 [12:0]				WSEQ_DATA256 [7:0]				0000F000h
		WSEQ_DELAY256 [3:0]																
R12802 (3202h)	WSEQ_Sequence_258	WSEQ_DATA_WIDTH257 [2:0]				WSEQ_DATA_START257 [3:0]				WSEQ_ADDR257 [12:0]				WSEQ_DATA257 [7:0]				0000F000h
		WSEQ_DELAY257 [3:0]																
R12804 (3204h)	WSEQ_Sequence_259	WSEQ_DATA_WIDTH258 [2:0]				WSEQ_DATA_START258 [3:0]				WSEQ_ADDR258 [12:0]				WSEQ_DATA258 [7:0]				0000F000h
		WSEQ_DELAY258 [3:0]																
R12806 (3206h)	WSEQ_Sequence_260	WSEQ_DATA_WIDTH259 [2:0]				WSEQ_DATA_START259 [3:0]				WSEQ_ADDR259 [12:0]				WSEQ_DATA259 [7:0]				0000F000h
		WSEQ_DELAY259 [3:0]																
R12808 (3208h)	WSEQ_Sequence_261	WSEQ_DATA_WIDTH260 [2:0]				WSEQ_DATA_START260 [3:0]				WSEQ_ADDR260 [12:0]				WSEQ_DATA260 [7:0]				0000F000h
		WSEQ_DELAY260 [3:0]																
R12810 (320Ah)	WSEQ_Sequence_262	WSEQ_DATA_WIDTH261 [2:0]				WSEQ_DATA_START261 [3:0]				WSEQ_ADDR261 [12:0]				WSEQ_DATA261 [7:0]				0000F000h
		WSEQ_DELAY261 [3:0]																
R12812 (320Ch)	WSEQ_Sequence_263	WSEQ_DATA_WIDTH262 [2:0]				WSEQ_DATA_START262 [3:0]				WSEQ_ADDR262 [12:0]				WSEQ_DATA262 [7:0]				0000F000h
		WSEQ_DELAY262 [3:0]																
R12814 (320Eh)	WSEQ_Sequence_264	WSEQ_DATA_WIDTH263 [2:0]				WSEQ_DATA_START263 [3:0]				WSEQ_ADDR263 [12:0]				WSEQ_DATA263 [7:0]				0000F000h
		WSEQ_DELAY263 [3:0]																
R12816 (3210h)	WSEQ_Sequence_265	WSEQ_DATA_WIDTH264 [2:0]				WSEQ_DATA_START264 [3:0]				WSEQ_ADDR264 [12:0]				WSEQ_DATA264 [7:0]				0000F000h
		WSEQ_DELAY264 [3:0]																
R12818 (3212h)	WSEQ_Sequence_266	WSEQ_DATA_WIDTH265 [2:0]				WSEQ_DATA_START265 [3:0]				WSEQ_ADDR265 [12:0]				WSEQ_DATA265 [7:0]				0000F000h
		WSEQ_DELAY265 [3:0]																
R12820 (3214h)	WSEQ_Sequence_267	WSEQ_DATA_WIDTH266 [2:0]				WSEQ_DATA_START266 [3:0]				WSEQ_ADDR266 [12:0]				WSEQ_DATA266 [7:0]				0000F000h
		WSEQ_DELAY266 [3:0]																
R12822 (3216h)	WSEQ_Sequence_268	WSEQ_DATA_WIDTH267 [2:0]				WSEQ_DATA_START267 [3:0]				WSEQ_ADDR267 [12:0]				WSEQ_DATA267 [7:0]				0000F000h
		WSEQ_DELAY267 [3:0]																
R12824 (3218h)	WSEQ_Sequence_269	WSEQ_DATA_WIDTH268 [2:0]				WSEQ_DATA_START268 [3:0]				WSEQ_ADDR268 [12:0]				WSEQ_DATA268 [7:0]				0000F000h
		WSEQ_DELAY268 [3:0]																
R12826 (321Ah)	WSEQ_Sequence_270	WSEQ_DATA_WIDTH269 [2:0]				WSEQ_DATA_START269 [3:0]				WSEQ_ADDR269 [12:0]				WSEQ_DATA269 [7:0]				0000F000h
		WSEQ_DELAY269 [3:0]																
R12828 (321Ch)	WSEQ_Sequence_271	WSEQ_DATA_WIDTH270 [2:0]				WSEQ_DATA_START270 [3:0]				WSEQ_ADDR270 [12:0]				WSEQ_DATA270 [7:0]				0000F000h
		WSEQ_DELAY270 [3:0]																
R12830 (321Eh)	WSEQ_Sequence_272	WSEQ_DATA_WIDTH271 [2:0]				WSEQ_DATA_START271 [3:0]				WSEQ_ADDR271 [12:0]				WSEQ_DATA271 [7:0]				0000F000h
		WSEQ_DELAY271 [3:0]																
R12832 (3220h)	WSEQ_Sequence_273	WSEQ_DATA_WIDTH272 [2:0]				WSEQ_DATA_START272 [3:0]				WSEQ_ADDR272 [12:0]				WSEQ_DATA272 [7:0]				0000F000h
		WSEQ_DELAY272 [3:0]																
R12834 (3222h)	WSEQ_Sequence_274	WSEQ_DATA_WIDTH273 [2:0]				WSEQ_DATA_START273 [3:0]				WSEQ_ADDR273 [12:0]				WSEQ_DATA273 [7:0]				0000F000h
		WSEQ_DELAY273 [3:0]																
R12836 (3224h)	WSEQ_Sequence_275	WSEQ_DATA_WIDTH274 [2:0]				WSEQ_DATA_START274 [3:0]				WSEQ_ADDR274 [12:0]				WSEQ_DATA274 [7:0]				0000F000h
		WSEQ_DELAY274 [3:0]																
R12838 (3226h)	WSEQ_Sequence_276	WSEQ_DATA_WIDTH275 [2:0]				WSEQ_DATA_START275 [3:0]				WSEQ_ADDR275 [12:0]				WSEQ_DATA275 [7:0]				0000F000h
		WSEQ_DELAY275 [3:0]																

Table 6-2. Register Map Definition—32-bit region (Cont.)

Register	Name	31 15	30 14	29 13	28 12	27 11	26 10	25 9	24 8	23 7	22 6	21 5	20 4	19 3	18 2	17 1	16 0	Default
R12840 (3228h)	WSEQ_Sequence_277	WSEQ_DATA_WIDTH276 [2:0]				WSEQ_DATA_START276 [3:0]				WSEQ_ADDR276 [12:0]				WSEQ_DATA276 [7:0]				0000F000h
R12842 (322Ah)	WSEQ_Sequence_278	WSEQ_DATA_WIDTH277 [2:0]				WSEQ_DATA_START277 [3:0]				WSEQ_ADDR277 [12:0]				WSEQ_DATA277 [7:0]				0000F000h
R12844 (322Ch)	WSEQ_Sequence_279	WSEQ_DATA_WIDTH278 [2:0]				WSEQ_DATA_START278 [3:0]				WSEQ_ADDR278 [12:0]				WSEQ_DATA278 [7:0]				0000F000h
R12846 (322Eh)	WSEQ_Sequence_280	WSEQ_DATA_WIDTH279 [2:0]				WSEQ_DATA_START279 [3:0]				WSEQ_ADDR279 [12:0]				WSEQ_DATA279 [7:0]				0000F000h
R12848 (3230h)	WSEQ_Sequence_281	WSEQ_DATA_WIDTH280 [2:0]				WSEQ_DATA_START280 [3:0]				WSEQ_ADDR280 [12:0]				WSEQ_DATA280 [7:0]				0000F000h
R12850 (3232h)	WSEQ_Sequence_282	WSEQ_DATA_WIDTH281 [2:0]				WSEQ_DATA_START281 [3:0]				WSEQ_ADDR281 [12:0]				WSEQ_DATA281 [7:0]				0000F000h
R12852 (3234h)	WSEQ_Sequence_283	WSEQ_DATA_WIDTH282 [2:0]				WSEQ_DATA_START282 [3:0]				WSEQ_ADDR282 [12:0]				WSEQ_DATA282 [7:0]				0000F000h
R12854 (3236h)	WSEQ_Sequence_284	WSEQ_DATA_WIDTH283 [2:0]				WSEQ_DATA_START283 [3:0]				WSEQ_ADDR283 [12:0]				WSEQ_DATA283 [7:0]				0000F000h
R12856 (3238h)	WSEQ_Sequence_285	WSEQ_DATA_WIDTH284 [2:0]				WSEQ_DATA_START284 [3:0]				WSEQ_ADDR284 [12:0]				WSEQ_DATA284 [7:0]				0000F000h
R12858 (323Ah)	WSEQ_Sequence_286	WSEQ_DATA_WIDTH285 [2:0]				WSEQ_DATA_START285 [3:0]				WSEQ_ADDR285 [12:0]				WSEQ_DATA285 [7:0]				0000F000h
R12860 (323Ch)	WSEQ_Sequence_287	WSEQ_DATA_WIDTH286 [2:0]				WSEQ_DATA_START286 [3:0]				WSEQ_ADDR286 [12:0]				WSEQ_DATA286 [7:0]				0000F000h
R12862 (323Eh)	WSEQ_Sequence_288	WSEQ_DATA_WIDTH287 [2:0]				WSEQ_DATA_START287 [3:0]				WSEQ_ADDR287 [12:0]				WSEQ_DATA287 [7:0]				0000F000h
R12864 (3240h)	WSEQ_Sequence_289	WSEQ_DATA_WIDTH288 [2:0]				WSEQ_DATA_START288 [3:0]				WSEQ_ADDR288 [12:0]				WSEQ_DATA288 [7:0]				0000F000h
R12866 (3242h)	WSEQ_Sequence_290	WSEQ_DATA_WIDTH289 [2:0]				WSEQ_DATA_START289 [3:0]				WSEQ_ADDR289 [12:0]				WSEQ_DATA289 [7:0]				0000F000h
R12868 (3244h)	WSEQ_Sequence_291	WSEQ_DATA_WIDTH290 [2:0]				WSEQ_DATA_START290 [3:0]				WSEQ_ADDR290 [12:0]				WSEQ_DATA290 [7:0]				0000F000h
R12870 (3246h)	WSEQ_Sequence_292	WSEQ_DATA_WIDTH291 [2:0]				WSEQ_DATA_START291 [3:0]				WSEQ_ADDR291 [12:0]				WSEQ_DATA291 [7:0]				0000F000h
R12872 (3248h)	WSEQ_Sequence_293	WSEQ_DATA_WIDTH292 [2:0]				WSEQ_DATA_START292 [3:0]				WSEQ_ADDR292 [12:0]				WSEQ_DATA292 [7:0]				0000F000h
R12874 (324Ah)	WSEQ_Sequence_294	WSEQ_DATA_WIDTH293 [2:0]				WSEQ_DATA_START293 [3:0]				WSEQ_ADDR293 [12:0]				WSEQ_DATA293 [7:0]				0000F000h
R12876 (324Ch)	WSEQ_Sequence_295	WSEQ_DATA_WIDTH294 [2:0]				WSEQ_DATA_START294 [3:0]				WSEQ_ADDR294 [12:0]				WSEQ_DATA294 [7:0]				0000F000h
R12878 (324Eh)	WSEQ_Sequence_296	WSEQ_DATA_WIDTH295 [2:0]				WSEQ_DATA_START295 [3:0]				WSEQ_ADDR295 [12:0]				WSEQ_DATA295 [7:0]				0000F000h
R12880 (3250h)	WSEQ_Sequence_297	WSEQ_DATA_WIDTH296 [2:0]				WSEQ_DATA_START296 [3:0]				WSEQ_ADDR296 [12:0]				WSEQ_DATA296 [7:0]				0000F000h
R12882 (3252h)	WSEQ_Sequence_298	WSEQ_DATA_WIDTH297 [2:0]				WSEQ_DATA_START297 [3:0]				WSEQ_ADDR297 [12:0]				WSEQ_DATA297 [7:0]				0000F000h
R12884 (3254h)	WSEQ_Sequence_299	WSEQ_DATA_WIDTH298 [2:0]				WSEQ_DATA_START298 [3:0]				WSEQ_ADDR298 [12:0]				WSEQ_DATA298 [7:0]				0000F000h
R12886 (3256h)	WSEQ_Sequence_300	WSEQ_DATA_WIDTH299 [2:0]				WSEQ_DATA_START299 [3:0]				WSEQ_ADDR299 [12:0]				WSEQ_DATA299 [7:0]				0000F000h
R12888 (3258h)	WSEQ_Sequence_301	WSEQ_DATA_WIDTH300 [2:0]				WSEQ_DATA_START300 [3:0]				WSEQ_ADDR300 [12:0]				WSEQ_DATA300 [7:0]				0000F000h
R12890 (325Ah)	WSEQ_Sequence_302	WSEQ_DATA_WIDTH301 [2:0]				WSEQ_DATA_START301 [3:0]				WSEQ_ADDR301 [12:0]				WSEQ_DATA301 [7:0]				0000F000h
R12892 (325Ch)	WSEQ_Sequence_303	WSEQ_DATA_WIDTH302 [2:0]				WSEQ_DATA_START302 [3:0]				WSEQ_ADDR302 [12:0]				WSEQ_DATA302 [7:0]				0000F000h
R12894 (325Eh)	WSEQ_Sequence_304	WSEQ_DATA_WIDTH303 [2:0]				WSEQ_DATA_START303 [3:0]				WSEQ_ADDR303 [12:0]				WSEQ_DATA303 [7:0]				0000F000h
R12896 (3260h)	WSEQ_Sequence_305	WSEQ_DATA_WIDTH304 [2:0]				WSEQ_DATA_START304 [3:0]				WSEQ_ADDR304 [12:0]				WSEQ_DATA304 [7:0]				0000F000h
R12898 (3262h)	WSEQ_Sequence_306	WSEQ_DATA_WIDTH305 [2:0]				WSEQ_DATA_START305 [3:0]				WSEQ_ADDR305 [12:0]				WSEQ_DATA305 [7:0]				0000F000h
R12900 (3264h)	WSEQ_Sequence_307	WSEQ_DATA_WIDTH306 [2:0]				WSEQ_DATA_START306 [3:0]				WSEQ_ADDR306 [12:0]				WSEQ_DATA306 [7:0]				0000F000h
R12902 (3266h)	WSEQ_Sequence_308	WSEQ_DATA_WIDTH307 [2:0]				WSEQ_DATA_START307 [3:0]				WSEQ_ADDR307 [12:0]				WSEQ_DATA307 [7:0]				0000F000h
R12904 (3268h)	WSEQ_Sequence_309	WSEQ_DATA_WIDTH308 [2:0]				WSEQ_DATA_START308 [3:0]				WSEQ_ADDR308 [12:0]				WSEQ_DATA308 [7:0]				0000F000h
R12906 (326Ah)	WSEQ_Sequence_310	WSEQ_DATA_WIDTH309 [2:0]				WSEQ_DATA_START309 [3:0]				WSEQ_ADDR309 [12:0]				WSEQ_DATA309 [7:0]				0000F000h
R12908 (326Ch)	WSEQ_Sequence_311	WSEQ_DATA_WIDTH310 [2:0]				WSEQ_DATA_START310 [3:0]				WSEQ_ADDR310 [12:0]				WSEQ_DATA310 [7:0]				0000F000h
R12910 (326Eh)	WSEQ_Sequence_312	WSEQ_DATA_WIDTH311 [2:0]				WSEQ_DATA_START311 [3:0]				WSEQ_ADDR311 [12:0]				WSEQ_DATA311 [7:0]				0000F000h

Table 6-2. Register Map Definition—32-bit region (Cont.)

Register	Name	31 15	30 14	29 13	28 12	27 11	26 10	25 9	24 8	23 7	22 6	21 5	20 4	19 3	18 2	17 1	16 0	Default
R12912 (3270h)	WSEQ_Sequence_313	WSEQ_DATA_WIDTH312 [2:0]				WSEQ_ADDR312 [12:0]				WSEQ_DATA312 [7:0]								0000F000h
		WSEQ_DELAY312 [3:0]				WSEQ_DATA_START312 [3:0]				WSEQ_DATA313 [7:0]								
R12914 (3272h)	WSEQ_Sequence_314	WSEQ_DATA_WIDTH313 [2:0]				WSEQ_ADDR313 [12:0]				WSEQ_DATA313 [7:0]								0000F000h
		WSEQ_DELAY313 [3:0]				WSEQ_DATA_START313 [3:0]				WSEQ_DATA314 [7:0]								
R12916 (3274h)	WSEQ_Sequence_315	WSEQ_DATA_WIDTH314 [2:0]				WSEQ_ADDR314 [12:0]				WSEQ_DATA314 [7:0]								0000F000h
		WSEQ_DELAY314 [3:0]				WSEQ_DATA_START314 [3:0]				WSEQ_DATA315 [7:0]								
R12918 (3276h)	WSEQ_Sequence_316	WSEQ_DATA_WIDTH315 [2:0]				WSEQ_ADDR315 [12:0]				WSEQ_DATA315 [7:0]								0000F000h
		WSEQ_DELAY315 [3:0]				WSEQ_DATA_START315 [3:0]				WSEQ_DATA316 [7:0]								
R12920 (3278h)	WSEQ_Sequence_317	WSEQ_DATA_WIDTH316 [2:0]				WSEQ_ADDR316 [12:0]				WSEQ_DATA316 [7:0]								0000F000h
		WSEQ_DELAY316 [3:0]				WSEQ_DATA_START316 [3:0]				WSEQ_DATA317 [7:0]								
R12922 (327Ah)	WSEQ_Sequence_318	WSEQ_DATA_WIDTH317 [2:0]				WSEQ_ADDR317 [12:0]				WSEQ_DATA317 [7:0]								0000F000h
		WSEQ_DELAY317 [3:0]				WSEQ_DATA_START317 [3:0]				WSEQ_DATA318 [7:0]								
R12924 (327Ch)	WSEQ_Sequence_319	WSEQ_DATA_WIDTH318 [2:0]				WSEQ_ADDR318 [12:0]				WSEQ_DATA318 [7:0]								0000F000h
		WSEQ_DELAY318 [3:0]				WSEQ_DATA_START318 [3:0]				WSEQ_DATA319 [7:0]								
R12926 (327Eh)	WSEQ_Sequence_320	WSEQ_DATA_WIDTH319 [2:0]				WSEQ_ADDR319 [12:0]				WSEQ_DATA319 [7:0]								0000F000h
		WSEQ_DELAY319 [3:0]				WSEQ_DATA_START319 [3:0]				WSEQ_DATA320 [7:0]								
R12928 (3280h)	WSEQ_Sequence_321	WSEQ_DATA_WIDTH320 [2:0]				WSEQ_ADDR320 [12:0]				WSEQ_DATA320 [7:0]								0000F000h
		WSEQ_DELAY320 [3:0]				WSEQ_DATA_START320 [3:0]				WSEQ_DATA321 [7:0]								
R12930 (3282h)	WSEQ_Sequence_322	WSEQ_DATA_WIDTH321 [2:0]				WSEQ_ADDR321 [12:0]				WSEQ_DATA321 [7:0]								0000F000h
		WSEQ_DELAY321 [3:0]				WSEQ_DATA_START321 [3:0]				WSEQ_DATA322 [7:0]								
R12932 (3284h)	WSEQ_Sequence_323	WSEQ_DATA_WIDTH322 [2:0]				WSEQ_ADDR322 [12:0]				WSEQ_DATA322 [7:0]								0000F000h
		WSEQ_DELAY322 [3:0]				WSEQ_DATA_START322 [3:0]				WSEQ_DATA323 [7:0]								
R12934 (3286h)	WSEQ_Sequence_324	WSEQ_DATA_WIDTH323 [2:0]				WSEQ_ADDR323 [12:0]				WSEQ_DATA323 [7:0]								0000F000h
		WSEQ_DELAY323 [3:0]				WSEQ_DATA_START323 [3:0]				WSEQ_DATA324 [7:0]								
R12936 (3288h)	WSEQ_Sequence_325	WSEQ_DATA_WIDTH324 [2:0]				WSEQ_ADDR324 [12:0]				WSEQ_DATA324 [7:0]								0000F000h
		WSEQ_DELAY324 [3:0]				WSEQ_DATA_START324 [3:0]				WSEQ_DATA325 [7:0]								
R12938 (328Ah)	WSEQ_Sequence_326	WSEQ_DATA_WIDTH325 [2:0]				WSEQ_ADDR325 [12:0]				WSEQ_DATA325 [7:0]								0000F000h
		WSEQ_DELAY325 [3:0]				WSEQ_DATA_START325 [3:0]				WSEQ_DATA326 [7:0]								
R12940 (328Ch)	WSEQ_Sequence_327	WSEQ_DATA_WIDTH326 [2:0]				WSEQ_ADDR326 [12:0]				WSEQ_DATA326 [7:0]								0000F000h
		WSEQ_DELAY326 [3:0]				WSEQ_DATA_START326 [3:0]				WSEQ_DATA327 [7:0]								
R12942 (328Eh)	WSEQ_Sequence_328	WSEQ_DATA_WIDTH327 [2:0]				WSEQ_ADDR327 [12:0]				WSEQ_DATA327 [7:0]								0000F000h
		WSEQ_DELAY327 [3:0]				WSEQ_DATA_START327 [3:0]				WSEQ_DATA328 [7:0]								
R12944 (3290h)	WSEQ_Sequence_329	WSEQ_DATA_WIDTH328 [2:0]				WSEQ_ADDR328 [12:0]				WSEQ_DATA328 [7:0]								0000F000h
		WSEQ_DELAY328 [3:0]				WSEQ_DATA_START328 [3:0]				WSEQ_DATA329 [7:0]								
R12946 (3292h)	WSEQ_Sequence_330	WSEQ_DATA_WIDTH329 [2:0]				WSEQ_ADDR329 [12:0]				WSEQ_DATA329 [7:0]								0000F000h
		WSEQ_DELAY329 [3:0]				WSEQ_DATA_START329 [3:0]				WSEQ_DATA330 [7:0]								
R12948 (3294h)	WSEQ_Sequence_331	WSEQ_DATA_WIDTH330 [2:0]				WSEQ_ADDR330 [12:0]				WSEQ_DATA330 [7:0]								0000F000h
		WSEQ_DELAY330 [3:0]				WSEQ_DATA_START330 [3:0]				WSEQ_DATA331 [7:0]								
R12950 (3296h)	WSEQ_Sequence_332	WSEQ_DATA_WIDTH331 [2:0]				WSEQ_ADDR331 [12:0]				WSEQ_DATA331 [7:0]								0000F000h
		WSEQ_DELAY331 [3:0]				WSEQ_DATA_START331 [3:0]				WSEQ_DATA332 [7:0]								
R12952 (3298h)	WSEQ_Sequence_333	WSEQ_DATA_WIDTH332 [2:0]				WSEQ_ADDR332 [12:0]				WSEQ_DATA332 [7:0]								0000F000h
		WSEQ_DELAY332 [3:0]				WSEQ_DATA_START332 [3:0]				WSEQ_DATA333 [7:0]								
R12954 (329Ah)	WSEQ_Sequence_334	WSEQ_DATA_WIDTH333 [2:0]				WSEQ_ADDR333 [12:0]				WSEQ_DATA333 [7:0]								0000F000h
		WSEQ_DELAY333 [3:0]				WSEQ_DATA_START333 [3:0]				WSEQ_DATA334 [7:0]								
R12956 (329Ch)	WSEQ_Sequence_335	WSEQ_DATA_WIDTH334 [2:0]				WSEQ_ADDR334 [12:0]				WSEQ_DATA334 [7:0]								0000F000h
		WSEQ_DELAY334 [3:0]				WSEQ_DATA_START334 [3:0]				WSEQ_DATA335 [7:0]								
R12958 (329Eh)	WSEQ_Sequence_336	WSEQ_DATA_WIDTH335 [2:0]				WSEQ_ADDR335 [12:0]				WSEQ_DATA335 [7:0]								0000F000h
		WSEQ_DELAY335 [3:0]				WSEQ_DATA_START335 [3:0]				WSEQ_DATA336 [7:0]								
R12960 (32A0h)	WSEQ_Sequence_337	WSEQ_DATA_WIDTH336 [2:0]				WSEQ_ADDR336 [12:0]				WSEQ_DATA336 [7:0]								0000F000h
		WSEQ_DELAY336 [3:0]				WSEQ_DATA_START336 [3:0]				WSEQ_DATA337 [7:0]								
R12962 (32A2h)	WSEQ_Sequence_338	WSEQ_DATA_WIDTH337 [2:0]				WSEQ_ADDR337 [12:0]				WSEQ_DATA337 [7:0]								0000F000h
		WSEQ_DELAY337 [3:0]				WSEQ_DATA_START337 [3:0]				WSEQ_DATA338 [7:0]								
R12964 (32A4h)	WSEQ_Sequence_339	WSEQ_DATA_WIDTH338 [2:0]				WSEQ_ADDR338 [12:0]				WSEQ_DATA338 [7:0]								0000F000h
		WSEQ_DELAY338 [3:0]				WSEQ_DATA_START338 [3:0]				WSEQ_DATA339 [7:0]								
R12966 (32A6h)	WSEQ_Sequence_340	WSEQ_DATA_WIDTH339 [2:0]				WSEQ_ADDR339 [12:0]				WSEQ_DATA339 [7:0]								0000F000h
		WSEQ_DELAY339 [3:0]				WSEQ_DATA_START339 [3:0]				WSEQ_DATA340 [7:0]								
R12968 (32A8h)	WSEQ_Sequence_341	WSEQ_DATA_WIDTH340 [2:0]				WSEQ_ADDR340 [12:0]				WSEQ_DATA340 [7:0]								0000F000h
		WSEQ_DELAY340 [3:0]				WSEQ_DATA_START340 [3:0]				WSEQ_DATA341 [7:0]								
R12970 (32AAh)	WSEQ_Sequence_342	WSEQ_DATA_WIDTH341 [2:0]				WSEQ_ADDR341 [12:0]				WSEQ_DATA341 [7:0]								0000F000h
		WSEQ_DELAY341 [3:0]				WSEQ_DATA_START341 [3:0]				WSEQ_DATA342 [7:0]								
R12972 (32ACh)	WSEQ_Sequence_343	WSEQ_DATA_WIDTH342 [2:0]				WSEQ_ADDR342 [12:0]				WSEQ_DATA342 [7:0]								0000F000h
		WSEQ_DELAY342 [3:0]				WSEQ_DATA_START342 [3:0]				WSEQ_DATA343 [7:0]								
R12974 (32AEh)	WSEQ_Sequence_344	WSEQ_DATA_WIDTH343 [2:0]				WSEQ_ADDR343 [12:0]				WSEQ_DATA343 [7:0]								0000F000h
		WSEQ_DELAY343 [3:0]				WSEQ_DATA_START343 [3:0]				WSEQ_DATA344 [7:0]								
R12976 (32B0h)	WSEQ_Sequence_345	WSEQ_DATA_WIDTH344 [2:0]				WSEQ_ADDR344 [12:0]				WSEQ_DATA344 [7:0]								0000F000h
		WSEQ_DELAY344 [3:0]				WSEQ_DATA_START344 [3:0]				WSEQ_DATA345 [7:0]								
R12978 (32B2h)	WSEQ_Sequence_346	WSEQ_DATA_WIDTH345 [2:0]				WSEQ_ADDR345 [12:0]				WSEQ_DATA345 [7:0]								0000F000h
		WSEQ_DELAY345 [3:0]				WSEQ_DATA_START345 [3:0]				WSEQ_DATA346 [7:0]								
R12980 (32B4h)	WSEQ_Sequence_347	WSEQ_DATA_WIDTH346 [2:0]				WSEQ_ADDR346 [12:0]				WSEQ_DATA346 [7:0]								0000F000h
		WSEQ_DELAY346 [3:0]				WSEQ_DATA_START346 [3:0]				WSEQ_DATA347 [7:0]								
R12982 (32B6h)	WSEQ_Sequence_348	WSEQ_DATA_WIDTH347 [2:0]				WSEQ_ADDR347 [12:0]				WSEQ_DATA347 [7:0]								0000F000h
		WSEQ_DELAY347 [3:0]				WSEQ_DATA_START347 [3:0]				WSEQ_DATA348 [7:0]								

Table 6-2. Register Map Definition—32-bit region (Cont.)

Register	Name	31 15	30 14	29 13	28 12	27 11	26 10	25 9	24 8	23 7	22 6	21 5	20 4	19 3	18 2	17 1	16 0	Default
R12984 (32B8h)	WSEQ_Sequence_349	WSEQ_DATA_WIDTH348 [2:0]				WSEQ_ADDR348 [12:0]				WSEQ_DATA348 [7:0]								0000F000h
		WSEQ_DELAY348 [3:0]				WSEQ_DATA_START348 [3:0]				WSEQ_DATA348 [7:0]								
R12986 (32BAh)	WSEQ_Sequence_350	WSEQ_DATA_WIDTH349 [2:0]				WSEQ_ADDR349 [12:0]				WSEQ_DATA349 [7:0]								0000F000h
		WSEQ_DELAY349 [3:0]				WSEQ_DATA_START349 [3:0]				WSEQ_DATA349 [7:0]								
R12988 (32BCh)	WSEQ_Sequence_351	WSEQ_DATA_WIDTH350 [2:0]				WSEQ_ADDR350 [12:0]				WSEQ_DATA350 [7:0]								0000F000h
		WSEQ_DELAY350 [3:0]				WSEQ_DATA_START350 [3:0]				WSEQ_DATA350 [7:0]								
R12990 (32BEh)	WSEQ_Sequence_352	WSEQ_DATA_WIDTH351 [2:0]				WSEQ_ADDR351 [12:0]				WSEQ_DATA351 [7:0]								0000F000h
		WSEQ_DELAY351 [3:0]				WSEQ_DATA_START351 [3:0]				WSEQ_DATA351 [7:0]								
R12992 (32C0h)	WSEQ_Sequence_353	WSEQ_DATA_WIDTH352 [2:0]				WSEQ_ADDR352 [12:0]				WSEQ_DATA352 [7:0]								0000F000h
		WSEQ_DELAY352 [3:0]				WSEQ_DATA_START352 [3:0]				WSEQ_DATA352 [7:0]								
R12994 (32C2h)	WSEQ_Sequence_354	WSEQ_DATA_WIDTH353 [2:0]				WSEQ_ADDR353 [12:0]				WSEQ_DATA353 [7:0]								0000F000h
		WSEQ_DELAY353 [3:0]				WSEQ_DATA_START353 [3:0]				WSEQ_DATA353 [7:0]								
R12996 (32C4h)	WSEQ_Sequence_355	WSEQ_DATA_WIDTH354 [2:0]				WSEQ_ADDR354 [12:0]				WSEQ_DATA354 [7:0]								0000F000h
		WSEQ_DELAY354 [3:0]				WSEQ_DATA_START354 [3:0]				WSEQ_DATA354 [7:0]								
R12998 (32C6h)	WSEQ_Sequence_356	WSEQ_DATA_WIDTH355 [2:0]				WSEQ_ADDR355 [12:0]				WSEQ_DATA355 [7:0]								0000F000h
		WSEQ_DELAY355 [3:0]				WSEQ_DATA_START355 [3:0]				WSEQ_DATA355 [7:0]								
R13000 (32C8h)	WSEQ_Sequence_357	WSEQ_DATA_WIDTH356 [2:0]				WSEQ_ADDR356 [12:0]				WSEQ_DATA356 [7:0]								0000F000h
		WSEQ_DELAY356 [3:0]				WSEQ_DATA_START356 [3:0]				WSEQ_DATA356 [7:0]								
R13002 (32CAh)	WSEQ_Sequence_358	WSEQ_DATA_WIDTH357 [2:0]				WSEQ_ADDR357 [12:0]				WSEQ_DATA357 [7:0]								0000F000h
		WSEQ_DELAY357 [3:0]				WSEQ_DATA_START357 [3:0]				WSEQ_DATA357 [7:0]								
R13004 (32CCh)	WSEQ_Sequence_359	WSEQ_DATA_WIDTH358 [2:0]				WSEQ_ADDR358 [12:0]				WSEQ_DATA358 [7:0]								0000F000h
		WSEQ_DELAY358 [3:0]				WSEQ_DATA_START358 [3:0]				WSEQ_DATA358 [7:0]								
R13006 (32CEh)	WSEQ_Sequence_360	WSEQ_DATA_WIDTH359 [2:0]				WSEQ_ADDR359 [12:0]				WSEQ_DATA359 [7:0]								0000F000h
		WSEQ_DELAY359 [3:0]				WSEQ_DATA_START359 [3:0]				WSEQ_DATA359 [7:0]								
R13008 (32D0h)	WSEQ_Sequence_361	WSEQ_DATA_WIDTH360 [2:0]				WSEQ_ADDR360 [12:0]				WSEQ_DATA360 [7:0]								0000F000h
		WSEQ_DELAY360 [3:0]				WSEQ_DATA_START360 [3:0]				WSEQ_DATA360 [7:0]								
R13010 (32D2h)	WSEQ_Sequence_362	WSEQ_DATA_WIDTH361 [2:0]				WSEQ_ADDR361 [12:0]				WSEQ_DATA361 [7:0]								0000F000h
		WSEQ_DELAY361 [3:0]				WSEQ_DATA_START361 [3:0]				WSEQ_DATA361 [7:0]								
R13012 (32D4h)	WSEQ_Sequence_363	WSEQ_DATA_WIDTH362 [2:0]				WSEQ_ADDR362 [12:0]				WSEQ_DATA362 [7:0]								0000F000h
		WSEQ_DELAY362 [3:0]				WSEQ_DATA_START362 [3:0]				WSEQ_DATA362 [7:0]								
R13014 (32D6h)	WSEQ_Sequence_364	WSEQ_DATA_WIDTH363 [2:0]				WSEQ_ADDR363 [12:0]				WSEQ_DATA363 [7:0]								0000F000h
		WSEQ_DELAY363 [3:0]				WSEQ_DATA_START363 [3:0]				WSEQ_DATA363 [7:0]								
R13016 (32D8h)	WSEQ_Sequence_365	WSEQ_DATA_WIDTH364 [2:0]				WSEQ_ADDR364 [12:0]				WSEQ_DATA364 [7:0]								0000F000h
		WSEQ_DELAY364 [3:0]				WSEQ_DATA_START364 [3:0]				WSEQ_DATA364 [7:0]								
R13018 (32DAh)	WSEQ_Sequence_366	WSEQ_DATA_WIDTH365 [2:0]				WSEQ_ADDR365 [12:0]				WSEQ_DATA365 [7:0]								0000F000h
		WSEQ_DELAY365 [3:0]				WSEQ_DATA_START365 [3:0]				WSEQ_DATA365 [7:0]								
R13020 (32DCh)	WSEQ_Sequence_367	WSEQ_DATA_WIDTH366 [2:0]				WSEQ_ADDR366 [12:0]				WSEQ_DATA366 [7:0]								0000F000h
		WSEQ_DELAY366 [3:0]				WSEQ_DATA_START366 [3:0]				WSEQ_DATA366 [7:0]								
R13022 (32DEh)	WSEQ_Sequence_368	WSEQ_DATA_WIDTH367 [2:0]				WSEQ_ADDR367 [12:0]				WSEQ_DATA367 [7:0]								0000F000h
		WSEQ_DELAY367 [3:0]				WSEQ_DATA_START367 [3:0]				WSEQ_DATA367 [7:0]								
R13024 (32E0h)	WSEQ_Sequence_369	WSEQ_DATA_WIDTH368 [2:0]				WSEQ_ADDR368 [12:0]				WSEQ_DATA368 [7:0]								0000F000h
		WSEQ_DELAY368 [3:0]				WSEQ_DATA_START368 [3:0]				WSEQ_DATA368 [7:0]								
R13026 (32E2h)	WSEQ_Sequence_370	WSEQ_DATA_WIDTH369 [2:0]				WSEQ_ADDR369 [12:0]				WSEQ_DATA369 [7:0]								0000F000h
		WSEQ_DELAY369 [3:0]				WSEQ_DATA_START369 [3:0]				WSEQ_DATA369 [7:0]								
R13028 (32E4h)	WSEQ_Sequence_371	WSEQ_DATA_WIDTH370 [2:0]				WSEQ_ADDR370 [12:0]				WSEQ_DATA370 [7:0]								0000F000h
		WSEQ_DELAY370 [3:0]				WSEQ_DATA_START370 [3:0]				WSEQ_DATA370 [7:0]								
R13030 (32E6h)	WSEQ_Sequence_372	WSEQ_DATA_WIDTH371 [2:0]				WSEQ_ADDR371 [12:0]				WSEQ_DATA371 [7:0]								0000F000h
		WSEQ_DELAY371 [3:0]				WSEQ_DATA_START371 [3:0]				WSEQ_DATA371 [7:0]								
R13032 (32E8h)	WSEQ_Sequence_373	WSEQ_DATA_WIDTH372 [2:0]				WSEQ_ADDR372 [12:0]				WSEQ_DATA372 [7:0]								0000F000h
		WSEQ_DELAY372 [3:0]				WSEQ_DATA_START372 [3:0]				WSEQ_DATA372 [7:0]								
R13034 (32EAh)	WSEQ_Sequence_374	WSEQ_DATA_WIDTH373 [2:0]				WSEQ_ADDR373 [12:0]				WSEQ_DATA373 [7:0]								0000F000h
		WSEQ_DELAY373 [3:0]				WSEQ_DATA_START373 [3:0]				WSEQ_DATA373 [7:0]								
R13036 (32ECh)	WSEQ_Sequence_375	WSEQ_DATA_WIDTH374 [2:0]				WSEQ_ADDR374 [12:0]				WSEQ_DATA374 [7:0]								0000F000h
		WSEQ_DELAY374 [3:0]				WSEQ_DATA_START374 [3:0]				WSEQ_DATA374 [7:0]								
R13038 (32EEh)	WSEQ_Sequence_376	WSEQ_DATA_WIDTH375 [2:0]				WSEQ_ADDR375 [12:0]				WSEQ_DATA375 [7:0]								0000F000h
		WSEQ_DELAY375 [3:0]				WSEQ_DATA_START375 [3:0]				WSEQ_DATA375 [7:0]								
R13040 (32F0h)	WSEQ_Sequence_377	WSEQ_DATA_WIDTH376 [2:0]				WSEQ_ADDR376 [12:0]				WSEQ_DATA376 [7:0]								0000F000h
		WSEQ_DELAY376 [3:0]				WSEQ_DATA_START376 [3:0]				WSEQ_DATA376 [7:0]								
R13042 (32F2h)	WSEQ_Sequence_378	WSEQ_DATA_WIDTH377 [2:0]				WSEQ_ADDR377 [12:0]				WSEQ_DATA377 [7:0]								0000F000h
		WSEQ_DELAY377 [3:0]				WSEQ_DATA_START377 [3:0]				WSEQ_DATA377 [7:0]								
R13044 (32F4h)	WSEQ_Sequence_379	WSEQ_DATA_WIDTH378 [2:0]				WSEQ_ADDR378 [12:0]				WSEQ_DATA378 [7:0]								0000F000h
		WSEQ_DELAY378 [3:0]				WSEQ_DATA_START378 [3:0]				WSEQ_DATA378 [7:0]								
R13046 (32F6h)	WSEQ_Sequence_380	WSEQ_DATA_WIDTH379 [2:0]				WSEQ_ADDR379 [12:0]				WSEQ_DATA379 [7:0]								0000F000h
		WSEQ_DELAY379 [3:0]				WSEQ_DATA_START379 [3:0]				WSEQ_DATA379 [7:0]								
R13048 (32F8h)	WSEQ_Sequence_381	WSEQ_DATA_WIDTH380 [2:0]				WSEQ_ADDR380 [12:0]				WSEQ_DATA380 [7:0]								0000F000h
		WSEQ_DELAY380 [3:0]				WSEQ_DATA_START380 [3:0]				WSEQ_DATA380 [7:0]								
R13050 (32FAh)	WSEQ_Sequence_382	WSEQ_DATA_WIDTH381 [2:0]				WSEQ_ADDR381 [12:0]				WSEQ_DATA381 [7:0]								0000F000h
		WSEQ_DELAY381 [3:0]				WSEQ_DATA_START381 [3:0]				WSEQ_DATA381 [7:0]								
R13052 (32FCh)	WSEQ_Sequence_383	WSEQ_DATA_WIDTH382 [2:0]				WSEQ_ADDR382 [12:0]				WSEQ_DATA382 [7:0]								0000F000h
		WSEQ_DELAY382 [3:0]				WSEQ_DATA_START382 [3:0]				WSEQ_DATA382 [7:0]								
R13054 (32FEh)	WSEQ_Sequence_384	WSEQ_DATA_WIDTH383 [2:0]				WSEQ_ADDR383 [12:0]				WSEQ_DATA383 [7:0]								0000F000h
		WSEQ_DELAY383 [3:0]				WSEQ_DATA_START383 [3:0]				WSEQ_DATA383 [7:0]								

Table 6-2. Register Map Definition—32-bit region (Cont.)

Register	Name	31 15	30 14	29 13	28 12	27 11	26 10	25 9	24 8	23 7	22 6	21 5	20 4	19 3	18 2	17 1	16 0	Default
R13056 (3300h)	WSEQ_Sequence_385	WSEQ_DATA_WIDTH384 [2:0]				WSEQ_ADDR384 [12:0]				WSEQ_DATA384 [7:0]								FFFFFFFFh
		WSEQ_DELAY384 [3:0]				WSEQ_DATA_START384 [3:0]												
R13058 (3302h)	WSEQ_Sequence_386	WSEQ_DATA_WIDTH385 [2:0]				WSEQ_ADDR385 [12:0]				WSEQ_DATA385 [7:0]								FFFFFFFFh
		WSEQ_DELAY385 [3:0]				WSEQ_DATA_START385 [3:0]												
R13060 (3304h)	WSEQ_Sequence_387	WSEQ_DATA_WIDTH386 [2:0]				WSEQ_ADDR386 [12:0]				WSEQ_DATA386 [7:0]								FFFFFFFFh
		WSEQ_DELAY386 [3:0]				WSEQ_DATA_START386 [3:0]												
R13062 (3306h)	WSEQ_Sequence_388	WSEQ_DATA_WIDTH387 [2:0]				WSEQ_ADDR387 [12:0]				WSEQ_DATA387 [7:0]								FFFFFFFFh
		WSEQ_DELAY387 [3:0]				WSEQ_DATA_START387 [3:0]												
R13064 (3308h)	WSEQ_Sequence_389	WSEQ_DATA_WIDTH388 [2:0]				WSEQ_ADDR388 [12:0]				WSEQ_DATA388 [7:0]								FFFFFFFFh
		WSEQ_DELAY388 [3:0]				WSEQ_DATA_START388 [3:0]												
R13066 (330Ah)	WSEQ_Sequence_390	WSEQ_DATA_WIDTH389 [2:0]				WSEQ_ADDR389 [12:0]				WSEQ_DATA389 [7:0]								FFFFFFFFh
		WSEQ_DELAY389 [3:0]				WSEQ_DATA_START389 [3:0]												
R13068 (330Ch)	WSEQ_Sequence_391	WSEQ_DATA_WIDTH390 [2:0]				WSEQ_ADDR390 [12:0]				WSEQ_DATA390 [7:0]								FFFFFFFFh
		WSEQ_DELAY390 [3:0]				WSEQ_DATA_START390 [3:0]												
R13070 (330Eh)	WSEQ_Sequence_392	WSEQ_DATA_WIDTH391 [2:0]				WSEQ_ADDR391 [12:0]				WSEQ_DATA391 [7:0]								FFFFFFFFh
		WSEQ_DELAY391 [3:0]				WSEQ_DATA_START391 [3:0]												
R13072 (3310h)	WSEQ_Sequence_393	WSEQ_DATA_WIDTH392 [2:0]				WSEQ_ADDR392 [12:0]				WSEQ_DATA392 [7:0]								FFFFFFFFh
		WSEQ_DELAY392 [3:0]				WSEQ_DATA_START392 [3:0]												
R13074 (3312h)	WSEQ_Sequence_394	WSEQ_DATA_WIDTH393 [2:0]				WSEQ_ADDR393 [12:0]				WSEQ_DATA393 [7:0]								FFFFFFFFh
		WSEQ_DELAY393 [3:0]				WSEQ_DATA_START393 [3:0]												
R13076 (3314h)	WSEQ_Sequence_395	WSEQ_DATA_WIDTH394 [2:0]				WSEQ_ADDR394 [12:0]				WSEQ_DATA394 [7:0]								FFFFFFFFh
		WSEQ_DELAY394 [3:0]				WSEQ_DATA_START394 [3:0]												
R13078 (3316h)	WSEQ_Sequence_396	WSEQ_DATA_WIDTH395 [2:0]				WSEQ_ADDR395 [12:0]				WSEQ_DATA395 [7:0]								FFFFFFFFh
		WSEQ_DELAY395 [3:0]				WSEQ_DATA_START395 [3:0]												
R13080 (3318h)	WSEQ_Sequence_397	WSEQ_DATA_WIDTH396 [2:0]				WSEQ_ADDR396 [12:0]				WSEQ_DATA396 [7:0]								FFFFFFFFh
		WSEQ_DELAY396 [3:0]				WSEQ_DATA_START396 [3:0]												
R13082 (331Ah)	WSEQ_Sequence_398	WSEQ_DATA_WIDTH397 [2:0]				WSEQ_ADDR397 [12:0]				WSEQ_DATA397 [7:0]								FFFFFFFFh
		WSEQ_DELAY397 [3:0]				WSEQ_DATA_START397 [3:0]												
R13084 (331Ch)	WSEQ_Sequence_399	WSEQ_DATA_WIDTH398 [2:0]				WSEQ_ADDR398 [12:0]				WSEQ_DATA398 [7:0]								FFFFFFFFh
		WSEQ_DELAY398 [3:0]				WSEQ_DATA_START398 [3:0]												
R13086 (331Eh)	WSEQ_Sequence_400	WSEQ_DATA_WIDTH399 [2:0]				WSEQ_ADDR399 [12:0]				WSEQ_DATA399 [7:0]								FFFFFFFFh
		WSEQ_DELAY399 [3:0]				WSEQ_DATA_START399 [3:0]												
R13088 (3320h)	WSEQ_Sequence_401	WSEQ_DATA_WIDTH400 [2:0]				WSEQ_ADDR400 [12:0]				WSEQ_DATA400 [7:0]								FFFFFFFFh
		WSEQ_DELAY400 [3:0]				WSEQ_DATA_START400 [3:0]												
R13090 (3322h)	WSEQ_Sequence_402	WSEQ_DATA_WIDTH401 [2:0]				WSEQ_ADDR401 [12:0]				WSEQ_DATA401 [7:0]								FFFFFFFFh
		WSEQ_DELAY401 [3:0]				WSEQ_DATA_START401 [3:0]												
R13092 (3324h)	WSEQ_Sequence_403	WSEQ_DATA_WIDTH402 [2:0]				WSEQ_ADDR402 [12:0]				WSEQ_DATA402 [7:0]								FFFFFFFFh
		WSEQ_DELAY402 [3:0]				WSEQ_DATA_START402 [3:0]												
R13094 (3326h)	WSEQ_Sequence_404	WSEQ_DATA_WIDTH403 [2:0]				WSEQ_ADDR403 [12:0]				WSEQ_DATA403 [7:0]								FFFFFFFFh
		WSEQ_DELAY403 [3:0]				WSEQ_DATA_START403 [3:0]												
R13096 (3328h)	WSEQ_Sequence_405	WSEQ_DATA_WIDTH404 [2:0]				WSEQ_ADDR404 [12:0]				WSEQ_DATA404 [7:0]								FFFFFFFFh
		WSEQ_DELAY404 [3:0]				WSEQ_DATA_START404 [3:0]												
R13098 (332Ah)	WSEQ_Sequence_406	WSEQ_DATA_WIDTH405 [2:0]				WSEQ_ADDR405 [12:0]				WSEQ_DATA405 [7:0]								FFFFFFFFh
		WSEQ_DELAY405 [3:0]				WSEQ_DATA_START405 [3:0]												
R13100 (332Ch)	WSEQ_Sequence_407	WSEQ_DATA_WIDTH406 [2:0]				WSEQ_ADDR406 [12:0]				WSEQ_DATA406 [7:0]								FFFFFFFFh
		WSEQ_DELAY406 [3:0]				WSEQ_DATA_START406 [3:0]												
R13102 (332Eh)	WSEQ_Sequence_408	WSEQ_DATA_WIDTH407 [2:0]				WSEQ_ADDR407 [12:0]				WSEQ_DATA407 [7:0]								FFFFFFFFh
		WSEQ_DELAY407 [3:0]				WSEQ_DATA_START407 [3:0]												
R13104 (3330h)	WSEQ_Sequence_409	WSEQ_DATA_WIDTH408 [2:0]				WSEQ_ADDR408 [12:0]				WSEQ_DATA408 [7:0]								FFFFFFFFh
		WSEQ_DELAY408 [3:0]				WSEQ_DATA_START408 [3:0]												
R13106 (3332h)	WSEQ_Sequence_410	WSEQ_DATA_WIDTH409 [2:0]				WSEQ_ADDR409 [12:0]				WSEQ_DATA409 [7:0]								FFFFFFFFh
		WSEQ_DELAY409 [3:0]				WSEQ_DATA_START409 [3:0]												
R13108 (3334h)	WSEQ_Sequence_411	WSEQ_DATA_WIDTH410 [2:0]				WSEQ_ADDR410 [12:0]				WSEQ_DATA410 [7:0]								FFFFFFFFh
		WSEQ_DELAY410 [3:0]				WSEQ_DATA_START410 [3:0]												
R13110 (3336h)	WSEQ_Sequence_412	WSEQ_DATA_WIDTH411 [2:0]				WSEQ_ADDR411 [12:0]				WSEQ_DATA411 [7:0]								FFFFFFFFh
		WSEQ_DELAY411 [3:0]				WSEQ_DATA_START411 [3:0]												
R13112 (3338h)	WSEQ_Sequence_413	WSEQ_DATA_WIDTH412 [2:0]				WSEQ_ADDR412 [12:0]				WSEQ_DATA412 [7:0]								FFFFFFFFh
		WSEQ_DELAY412 [3:0]				WSEQ_DATA_START412 [3:0]												
R13114 (333Ah)	WSEQ_Sequence_414	WSEQ_DATA_WIDTH413 [2:0]				WSEQ_ADDR413 [12:0]				WSEQ_DATA413 [7:0]								FFFFFFFFh
		WSEQ_DELAY413 [3:0]				WSEQ_DATA_START413 [3:0]												
R13116 (333Ch)	WSEQ_Sequence_415	WSEQ_DATA_WIDTH414 [2:0]				WSEQ_ADDR414 [12:0]				WSEQ_DATA414 [7:0]								FFFFFFFFh
		WSEQ_DELAY414 [3:0]				WSEQ_DATA_START414 [3:0]												
R13118 (333Eh)	WSEQ_Sequence_416	WSEQ_DATA_WIDTH415 [2:0]				WSEQ_ADDR415 [12:0]				WSEQ_DATA415 [7:0]								FFFFFFFFh
		WSEQ_DELAY415 [3:0]				WSEQ_DATA_START415 [3:0]												
R13120 (3340h)	WSEQ_Sequence_417	WSEQ_DATA_WIDTH416 [2:0]				WSEQ_ADDR416 [12:0]				WSEQ_DATA416 [7:0]								FFFFFFFFh
		WSEQ_DELAY416 [3:0]				WSEQ_DATA_START416 [3:0]												
R13122 (3342h)	WSEQ_Sequence_418	WSEQ_DATA_WIDTH417 [2:0]				WSEQ_ADDR417 [12:0]				WSEQ_DATA417 [7:0]								FFFFFFFFh
		WSEQ_DELAY417 [3:0]				WSEQ_DATA_START417 [3:0]												
R13124 (3344h)	WSEQ_Sequence_419	WSEQ_DATA_WIDTH418 [2:0]				WSEQ_ADDR418 [12:0]				WSEQ_DATA418 [7:0]								FFFFFFFFh
		WSEQ_DELAY418 [3:0]				WSEQ_DATA_START418 [3:0]												
R13126 (3346h)	WSEQ_Sequence_420	WSEQ_DATA_WIDTH419 [2:0]				WSEQ_ADDR419 [12:0]				WSEQ_DATA419 [7:0]								FFFFFFFFh
		WSEQ_DELAY419 [3:0]				WSEQ_DATA_START419 [3:0]												

Table 6-2. Register Map Definition—32-bit region (Cont.)

Register	Name	31 15	30 14	29 13	28 12	27 11	26 10	25 9	24 8	23 7	22 6	21 5	20 4	19 3	18 2	17 1	16 0	Default
R13128 (3348h)	WSEQ_Sequence_421	WSEQ_DATA_WIDTH420 [2:0]								WSEQ_ADDR420 [12:0]								FFFFFFFFh
		WSEQ_DELAY420 [3:0]				WSEQ_DATA_START420 [3:0]				WSEQ_DATA420 [7:0]								
R13130 (334Ah)	WSEQ_Sequence_422	WSEQ_DATA_WIDTH421 [2:0]								WSEQ_ADDR421 [12:0]								FFFFFFFFh
		WSEQ_DELAY421 [3:0]				WSEQ_DATA_START421 [3:0]				WSEQ_DATA421 [7:0]								
R13132 (334Ch)	WSEQ_Sequence_423	WSEQ_DATA_WIDTH422 [2:0]								WSEQ_ADDR422 [12:0]								FFFFFFFFh
		WSEQ_DELAY422 [3:0]				WSEQ_DATA_START422 [3:0]				WSEQ_DATA422 [7:0]								
R13134 (334Eh)	WSEQ_Sequence_424	WSEQ_DATA_WIDTH423 [2:0]								WSEQ_ADDR423 [12:0]								FFFFFFFFh
		WSEQ_DELAY423 [3:0]				WSEQ_DATA_START423 [3:0]				WSEQ_DATA423 [7:0]								
R13136 (3350h)	WSEQ_Sequence_425	WSEQ_DATA_WIDTH424 [2:0]								WSEQ_ADDR424 [12:0]								FFFFFFFFh
		WSEQ_DELAY424 [3:0]				WSEQ_DATA_START424 [3:0]				WSEQ_DATA424 [7:0]								
R13138 (3352h)	WSEQ_Sequence_426	WSEQ_DATA_WIDTH425 [2:0]								WSEQ_ADDR425 [12:0]								FFFFFFFFh
		WSEQ_DELAY425 [3:0]				WSEQ_DATA_START425 [3:0]				WSEQ_DATA425 [7:0]								
R13140 (3354h)	WSEQ_Sequence_427	WSEQ_DATA_WIDTH426 [2:0]								WSEQ_ADDR426 [12:0]								FFFFFFFFh
		WSEQ_DELAY426 [3:0]				WSEQ_DATA_START426 [3:0]				WSEQ_DATA426 [7:0]								
R13142 (3356h)	WSEQ_Sequence_428	WSEQ_DATA_WIDTH427 [2:0]								WSEQ_ADDR427 [12:0]								FFFFFFFFh
		WSEQ_DELAY427 [3:0]				WSEQ_DATA_START427 [3:0]				WSEQ_DATA427 [7:0]								
R13144 (3358h)	WSEQ_Sequence_429	WSEQ_DATA_WIDTH428 [2:0]								WSEQ_ADDR428 [12:0]								FFFFFFFFh
		WSEQ_DELAY428 [3:0]				WSEQ_DATA_START428 [3:0]				WSEQ_DATA428 [7:0]								
R13146 (335Ah)	WSEQ_Sequence_430	WSEQ_DATA_WIDTH429 [2:0]								WSEQ_ADDR429 [12:0]								FFFFFFFFh
		WSEQ_DELAY429 [3:0]				WSEQ_DATA_START429 [3:0]				WSEQ_DATA429 [7:0]								
R13148 (335Ch)	WSEQ_Sequence_431	WSEQ_DATA_WIDTH430 [2:0]								WSEQ_ADDR430 [12:0]								FFFFFFFFh
		WSEQ_DELAY430 [3:0]				WSEQ_DATA_START430 [3:0]				WSEQ_DATA430 [7:0]								
R13150 (335Eh)	WSEQ_Sequence_432	WSEQ_DATA_WIDTH431 [2:0]								WSEQ_ADDR431 [12:0]								FFFFFFFFh
		WSEQ_DELAY431 [3:0]				WSEQ_DATA_START431 [3:0]				WSEQ_DATA431 [7:0]								
R13152 (3360h)	WSEQ_Sequence_433	WSEQ_DATA_WIDTH432 [2:0]								WSEQ_ADDR432 [12:0]								FFFFFFFFh
		WSEQ_DELAY432 [3:0]				WSEQ_DATA_START432 [3:0]				WSEQ_DATA432 [7:0]								
R13154 (3362h)	WSEQ_Sequence_434	WSEQ_DATA_WIDTH433 [2:0]								WSEQ_ADDR433 [12:0]								FFFFFFFFh
		WSEQ_DELAY433 [3:0]				WSEQ_DATA_START433 [3:0]				WSEQ_DATA433 [7:0]								
R13156 (3364h)	WSEQ_Sequence_435	WSEQ_DATA_WIDTH434 [2:0]								WSEQ_ADDR434 [12:0]								FFFFFFFFh
		WSEQ_DELAY434 [3:0]				WSEQ_DATA_START434 [3:0]				WSEQ_DATA434 [7:0]								
R13158 (3366h)	WSEQ_Sequence_436	WSEQ_DATA_WIDTH435 [2:0]								WSEQ_ADDR435 [12:0]								FFFFFFFFh
		WSEQ_DELAY435 [3:0]				WSEQ_DATA_START435 [3:0]				WSEQ_DATA435 [7:0]								
R13160 (3368h)	WSEQ_Sequence_437	WSEQ_DATA_WIDTH436 [2:0]								WSEQ_ADDR436 [12:0]								FFFFFFFFh
		WSEQ_DELAY436 [3:0]				WSEQ_DATA_START436 [3:0]				WSEQ_DATA436 [7:0]								
R13162 (336Ah)	WSEQ_Sequence_438	WSEQ_DATA_WIDTH437 [2:0]								WSEQ_ADDR437 [12:0]								FFFFFFFFh
		WSEQ_DELAY437 [3:0]				WSEQ_DATA_START437 [3:0]				WSEQ_DATA437 [7:0]								
R13164 (336Ch)	WSEQ_Sequence_439	WSEQ_DATA_WIDTH438 [2:0]								WSEQ_ADDR438 [12:0]								FFFFFFFFh
		WSEQ_DELAY438 [3:0]				WSEQ_DATA_START438 [3:0]				WSEQ_DATA438 [7:0]								
R13166 (336Eh)	WSEQ_Sequence_440	WSEQ_DATA_WIDTH439 [2:0]								WSEQ_ADDR439 [12:0]								FFFFFFFFh
		WSEQ_DELAY439 [3:0]				WSEQ_DATA_START439 [3:0]				WSEQ_DATA439 [7:0]								
R13168 (3370h)	WSEQ_Sequence_441	WSEQ_DATA_WIDTH440 [2:0]								WSEQ_ADDR440 [12:0]								FFFFFFFFh
		WSEQ_DELAY440 [3:0]				WSEQ_DATA_START440 [3:0]				WSEQ_DATA440 [7:0]								
R13170 (3372h)	WSEQ_Sequence_442	WSEQ_DATA_WIDTH441 [2:0]								WSEQ_ADDR441 [12:0]								FFFFFFFFh
		WSEQ_DELAY441 [3:0]				WSEQ_DATA_START441 [3:0]				WSEQ_DATA441 [7:0]								
R13172 (3374h)	WSEQ_Sequence_443	WSEQ_DATA_WIDTH442 [2:0]								WSEQ_ADDR442 [12:0]								FFFFFFFFh
		WSEQ_DELAY442 [3:0]				WSEQ_DATA_START442 [3:0]				WSEQ_DATA442 [7:0]								
R13174 (3376h)	WSEQ_Sequence_444	WSEQ_DATA_WIDTH443 [2:0]								WSEQ_ADDR443 [12:0]								FFFFFFFFh
		WSEQ_DELAY443 [3:0]				WSEQ_DATA_START443 [3:0]				WSEQ_DATA443 [7:0]								
R13176 (3378h)	WSEQ_Sequence_445	WSEQ_DATA_WIDTH444 [2:0]								WSEQ_ADDR444 [12:0]								FFFFFFFFh
		WSEQ_DELAY444 [3:0]				WSEQ_DATA_START444 [3:0]				WSEQ_DATA444 [7:0]								
R13178 (337Ah)	WSEQ_Sequence_446	WSEQ_DATA_WIDTH445 [2:0]								WSEQ_ADDR445 [12:0]								FFFFFFFFh
		WSEQ_DELAY445 [3:0]				WSEQ_DATA_START445 [3:0]				WSEQ_DATA445 [7:0]								
R13180 (337Ch)	WSEQ_Sequence_447	WSEQ_DATA_WIDTH446 [2:0]								WSEQ_ADDR446 [12:0]								FFFFFFFFh
		WSEQ_DELAY446 [3:0]				WSEQ_DATA_START446 [3:0]				WSEQ_DATA446 [7:0]								
R13182 (337Eh)	WSEQ_Sequence_448	WSEQ_DATA_WIDTH447 [2:0]								WSEQ_ADDR447 [12:0]								FFFFFFFFh
		WSEQ_DELAY447 [3:0]				WSEQ_DATA_START447 [3:0]				WSEQ_DATA447 [7:0]								
R13184 (3380h)	WSEQ_Sequence_449	WSEQ_DATA_WIDTH448 [2:0]								WSEQ_ADDR448 [12:0]								FFFFFFFFh
		WSEQ_DELAY448 [3:0]				WSEQ_DATA_START448 [3:0]				WSEQ_DATA448 [7:0]								
R13186 (3382h)	WSEQ_Sequence_450	WSEQ_DATA_WIDTH449 [2:0]								WSEQ_ADDR449 [12:0]								FFFFFFFFh
		WSEQ_DELAY449 [3:0]				WSEQ_DATA_START449 [3:0]				WSEQ_DATA449 [7:0]								
R13188 (3384h)	WSEQ_Sequence_451	WSEQ_DATA_WIDTH450 [2:0]								WSEQ_ADDR450 [12:0]								FFFFFFFFh
		WSEQ_DELAY450 [3:0]				WSEQ_DATA_START450 [3:0]				WSEQ_DATA450 [7:0]								
R13190 (3386h)	WSEQ_Sequence_452	WSEQ_DATA_WIDTH451 [2:0]								WSEQ_ADDR451 [12:0]								FFFFFFFFh
		WSEQ_DELAY451 [3:0]				WSEQ_DATA_START451 [3:0]				WSEQ_DATA451 [7:0]								
R13192 (3388h)	WSEQ_Sequence_453	WSEQ_DATA_WIDTH452 [2:0]								WSEQ_ADDR452 [12:0]								FFFFFFFFh
		WSEQ_DELAY452 [3:0]				WSEQ_DATA_START452 [3:0]				WSEQ_DATA452 [7:0]								
R13194 (338Ah)	WSEQ_Sequence_454	WSEQ_DATA_WIDTH453 [2:0]								WSEQ_ADDR453 [12:0]								FFFFFFFFh
		WSEQ_DELAY453 [3:0]				WSEQ_DATA_START453 [3:0]				WSEQ_DATA453 [7:0]								
R13196 (338Ch)	WSEQ_Sequence_455	WSEQ_DATA_WIDTH454 [2:0]								WSEQ_ADDR454 [12:0]								FFFFFFFFh
		WSEQ_DELAY454 [3:0]				WSEQ_DATA_START454 [3:0]				WSEQ_DATA454 [7:0]								
R13198 (338Eh)	WSEQ_Sequence_456	WSEQ_DATA_WIDTH455 [2:0]								WSEQ_ADDR455 [12:0]								FFFFFFFFh
		WSEQ_DELAY455 [3:0]				WSEQ_DATA_START455 [3:0]				WSEQ_DATA455 [7:0]								

Table 6-2. Register Map Definition—32-bit region (Cont.)

Register	Name	31 15	30 14	29 13	28 12	27 11	26 10	25 9	24 8	23 7	22 6	21 5	20 4	19 3	18 2	17 1	16 0	Default
R13200 (3390h)	WSEQ_Sequence_457	WSEQ_DATA_WIDTH456 [2:0]			WSEQ_DELAY456 [3:0]			WSEQ_DATA_START456 [3:0]			WSEQ_ADDR456 [12:0]							FFFFFFFh
R13202 (3392h)	WSEQ_Sequence_458	WSEQ_DATA_WIDTH457 [2:0]			WSEQ_DELAY457 [3:0]			WSEQ_DATA_START457 [3:0]			WSEQ_ADDR457 [12:0]							FFFFFFFh
R13204 (3394h)	WSEQ_Sequence_459	WSEQ_DATA_WIDTH458 [2:0]			WSEQ_DELAY458 [3:0]			WSEQ_DATA_START458 [3:0]			WSEQ_ADDR458 [12:0]							FFFFFFFh
R13206 (3396h)	WSEQ_Sequence_460	WSEQ_DATA_WIDTH459 [2:0]			WSEQ_DELAY459 [3:0]			WSEQ_DATA_START459 [3:0]			WSEQ_ADDR459 [12:0]							FFFFFFFh
R13208 (3398h)	WSEQ_Sequence_461	WSEQ_DATA_WIDTH460 [2:0]			WSEQ_DELAY460 [3:0]			WSEQ_DATA_START460 [3:0]			WSEQ_ADDR460 [12:0]							FFFFFFFh
R13210 (339Ah)	WSEQ_Sequence_462	WSEQ_DATA_WIDTH461 [2:0]			WSEQ_DELAY461 [3:0]			WSEQ_DATA_START461 [3:0]			WSEQ_ADDR461 [12:0]							FFFFFFFh
R13212 (339Ch)	WSEQ_Sequence_463	WSEQ_DATA_WIDTH462 [2:0]			WSEQ_DELAY462 [3:0]			WSEQ_DATA_START462 [3:0]			WSEQ_ADDR462 [12:0]							FFFFFFFh
R13214 (339Eh)	WSEQ_Sequence_464	WSEQ_DATA_WIDTH463 [2:0]			WSEQ_DELAY463 [3:0]			WSEQ_DATA_START463 [3:0]			WSEQ_ADDR463 [12:0]							FFFFFFFh
R13216 (33A0h)	WSEQ_Sequence_465	WSEQ_DATA_WIDTH464 [2:0]			WSEQ_DELAY464 [3:0]			WSEQ_DATA_START464 [3:0]			WSEQ_ADDR464 [12:0]							FFFFFFFh
R13218 (33A2h)	WSEQ_Sequence_466	WSEQ_DATA_WIDTH465 [2:0]			WSEQ_DELAY465 [3:0]			WSEQ_DATA_START465 [3:0]			WSEQ_ADDR465 [12:0]							FFFFFFFh
R13220 (33A4h)	WSEQ_Sequence_467	WSEQ_DATA_WIDTH466 [2:0]			WSEQ_DELAY466 [3:0]			WSEQ_DATA_START466 [3:0]			WSEQ_ADDR466 [12:0]							FFFFFFFh
R13222 (33A6h)	WSEQ_Sequence_468	WSEQ_DATA_WIDTH467 [2:0]			WSEQ_DELAY467 [3:0]			WSEQ_DATA_START467 [3:0]			WSEQ_ADDR467 [12:0]							FFFFFFFh
R13224 (33A8h)	WSEQ_Sequence_469	WSEQ_DATA_WIDTH468 [2:0]			WSEQ_DELAY468 [3:0]			WSEQ_DATA_START468 [3:0]			WSEQ_ADDR468 [12:0]							FFFFFFFh
R13226 (33AAh)	WSEQ_Sequence_470	WSEQ_DATA_WIDTH469 [2:0]			WSEQ_DELAY469 [3:0]			WSEQ_DATA_START469 [3:0]			WSEQ_ADDR469 [12:0]							FFFFFFFh
R13228 (33ACh)	WSEQ_Sequence_471	WSEQ_DATA_WIDTH470 [2:0]			WSEQ_DELAY470 [3:0]			WSEQ_DATA_START470 [3:0]			WSEQ_ADDR470 [12:0]							FFFFFFFh
R13230 (33AEh)	WSEQ_Sequence_472	WSEQ_DATA_WIDTH471 [2:0]			WSEQ_DELAY471 [3:0]			WSEQ_DATA_START471 [3:0]			WSEQ_ADDR471 [12:0]							FFFFFFFh
R13232 (33B0h)	WSEQ_Sequence_473	WSEQ_DATA_WIDTH472 [2:0]			WSEQ_DELAY472 [3:0]			WSEQ_DATA_START472 [3:0]			WSEQ_ADDR472 [12:0]							FFFFFFFh
R13234 (33B2h)	WSEQ_Sequence_474	WSEQ_DATA_WIDTH473 [2:0]			WSEQ_DELAY473 [3:0]			WSEQ_DATA_START473 [3:0]			WSEQ_ADDR473 [12:0]							FFFFFFFh
R13236 (33B4h)	WSEQ_Sequence_475	WSEQ_DATA_WIDTH474 [2:0]			WSEQ_DELAY474 [3:0]			WSEQ_DATA_START474 [3:0]			WSEQ_ADDR474 [12:0]							FFFFFFFh
R13238 (33B6h)	WSEQ_Sequence_476	WSEQ_DATA_WIDTH475 [2:0]			WSEQ_DELAY475 [3:0]			WSEQ_DATA_START475 [3:0]			WSEQ_ADDR475 [12:0]							FFFFFFFh
R13240 (33B8h)	WSEQ_Sequence_477	WSEQ_DATA_WIDTH476 [2:0]			WSEQ_DELAY476 [3:0]			WSEQ_DATA_START476 [3:0]			WSEQ_ADDR476 [12:0]							FFFFFFFh
R13242 (33BAh)	WSEQ_Sequence_478	WSEQ_DATA_WIDTH477 [2:0]			WSEQ_DELAY477 [3:0]			WSEQ_DATA_START477 [3:0]			WSEQ_ADDR477 [12:0]							FFFFFFFh
R13244 (33BCh)	WSEQ_Sequence_479	WSEQ_DATA_WIDTH478 [2:0]			WSEQ_DELAY478 [3:0]			WSEQ_DATA_START478 [3:0]			WSEQ_ADDR478 [12:0]							FFFFFFFh
R13246 (33BEh)	WSEQ_Sequence_480	WSEQ_DATA_WIDTH479 [2:0]			WSEQ_DELAY479 [3:0]			WSEQ_DATA_START479 [3:0]			WSEQ_ADDR479 [12:0]							FFFFFFFh
R13248 (33C0h)	WSEQ_Sequence_481	WSEQ_DATA_WIDTH480 [2:0]			WSEQ_DELAY480 [3:0]			WSEQ_DATA_START480 [3:0]			WSEQ_ADDR480 [12:0]							FFFFFFFh
R13250 (33C2h)	WSEQ_Sequence_482	WSEQ_DATA_WIDTH481 [2:0]			WSEQ_DELAY481 [3:0]			WSEQ_DATA_START481 [3:0]			WSEQ_ADDR481 [12:0]							FFFFFFFh
R13252 (33C4h)	WSEQ_Sequence_483	WSEQ_DATA_WIDTH482 [2:0]			WSEQ_DELAY482 [3:0]			WSEQ_DATA_START482 [3:0]			WSEQ_ADDR482 [12:0]							FFFFFFFh
R13254 (33C6h)	WSEQ_Sequence_484	WSEQ_DATA_WIDTH483 [2:0]			WSEQ_DELAY483 [3:0]			WSEQ_DATA_START483 [3:0]			WSEQ_ADDR483 [12:0]							FFFFFFFh
R13256 (33C8h)	WSEQ_Sequence_485	WSEQ_DATA_WIDTH484 [2:0]			WSEQ_DELAY484 [3:0]			WSEQ_DATA_START484 [3:0]			WSEQ_ADDR484 [12:0]							FFFFFFFh
R13258 (33CAh)	WSEQ_Sequence_486	WSEQ_DATA_WIDTH485 [2:0]			WSEQ_DELAY485 [3:0]			WSEQ_DATA_START485 [3:0]			WSEQ_ADDR485 [12:0]							FFFFFFFh
R13260 (33CCh)	WSEQ_Sequence_487	WSEQ_DATA_WIDTH486 [2:0]			WSEQ_DELAY486 [3:0]			WSEQ_DATA_START486 [3:0]			WSEQ_ADDR486 [12:0]							FFFFFFFh
R13262 (33CEh)	WSEQ_Sequence_488	WSEQ_DATA_WIDTH487 [2:0]			WSEQ_DELAY487 [3:0]			WSEQ_DATA_START487 [3:0]			WSEQ_ADDR487 [12:0]							FFFFFFFh
R13264 (33D0h)	WSEQ_Sequence_489	WSEQ_DATA_WIDTH488 [2:0]			WSEQ_DELAY488 [3:0]			WSEQ_DATA_START488 [3:0]			WSEQ_ADDR488 [12:0]							FFFFFFFh
R13266 (33D2h)	WSEQ_Sequence_490	WSEQ_DATA_WIDTH489 [2:0]			WSEQ_DELAY489 [3:0]			WSEQ_DATA_START489 [3:0]			WSEQ_ADDR489 [12:0]							FFFFFFFh
R13268 (33D4h)	WSEQ_Sequence_491	WSEQ_DATA_WIDTH490 [2:0]			WSEQ_DELAY490 [3:0]			WSEQ_DATA_START490 [3:0]			WSEQ_ADDR490 [12:0]							FFFFFFFh
R13270 (33D6h)	WSEQ_Sequence_492	WSEQ_DATA_WIDTH491 [2:0]			WSEQ_DELAY491 [3:0]			WSEQ_DATA_START491 [3:0]			WSEQ_ADDR491 [12:0]							FFFFFFFh

Table 6-2. Register Map Definition—32-bit region (Cont.)

Register	Name	31 15	30 14	29 13	28 12	27 11	26 10	25 9	24 8	23 7	22 6	21 5	20 4	19 3	18 2	17 1	16 0	Default			
R13272 (33D8h)	WSEQ_Sequence_493	WSEQ_DATA_WIDTH492 [2:0]				WSEQ_ADDR492 [12:0]													FFFFFFFh		
		WSEQ_DELAY492 [3:0]			WSEQ_DATA_START492 [3:0]				WSEQ_DATA492 [7:0]												
R13274 (33DAh)	WSEQ_Sequence_494	WSEQ_DATA_WIDTH493 [2:0]				WSEQ_ADDR493 [12:0]													FFFFFFFh		
		WSEQ_DELAY493 [3:0]			WSEQ_DATA_START493 [3:0]				WSEQ_DATA493 [7:0]												
R13276 (33DCh)	WSEQ_Sequence_495	WSEQ_DATA_WIDTH494 [2:0]				WSEQ_ADDR494 [12:0]													FFFFFFFh		
		WSEQ_DELAY494 [3:0]			WSEQ_DATA_START494 [3:0]				WSEQ_DATA494 [7:0]												
R13278 (33DEh)	WSEQ_Sequence_496	WSEQ_DATA_WIDTH495 [2:0]				WSEQ_ADDR495 [12:0]													FFFFFFFh		
		WSEQ_DELAY495 [3:0]			WSEQ_DATA_START495 [3:0]				WSEQ_DATA495 [7:0]												
R13280 (33E0h)	WSEQ_Sequence_497	WSEQ_DATA_WIDTH496 [2:0]				WSEQ_ADDR496 [12:0]													FFFFFFFh		
		WSEQ_DELAY496 [3:0]			WSEQ_DATA_START496 [3:0]				WSEQ_DATA496 [7:0]												
R13282 (33E2h)	WSEQ_Sequence_498	WSEQ_DATA_WIDTH497 [2:0]				WSEQ_ADDR497 [12:0]													FFFFFFFh		
		WSEQ_DELAY497 [3:0]			WSEQ_DATA_START497 [3:0]				WSEQ_DATA497 [7:0]												
R13284 (33E4h)	WSEQ_Sequence_499	WSEQ_DATA_WIDTH498 [2:0]				WSEQ_ADDR498 [12:0]													FFFFFFFh		
		WSEQ_DELAY498 [3:0]			WSEQ_DATA_START498 [3:0]				WSEQ_DATA498 [7:0]												
R13286 (33E6h)	WSEQ_Sequence_500	WSEQ_DATA_WIDTH499 [2:0]				WSEQ_ADDR499 [12:0]													FFFFFFFh		
		WSEQ_DELAY499 [3:0]			WSEQ_DATA_START499 [3:0]				WSEQ_DATA499 [7:0]												
R13288 (33E8h)	WSEQ_Sequence_501	WSEQ_DATA_WIDTH500 [2:0]				WSEQ_ADDR500 [12:0]													FFFFFFFh		
		WSEQ_DELAY500 [3:0]			WSEQ_DATA_START500 [3:0]				WSEQ_DATA500 [7:0]												
R13290 (33EAh)	WSEQ_Sequence_502	WSEQ_DATA_WIDTH501 [2:0]				WSEQ_ADDR501 [12:0]													FFFFFFFh		
		WSEQ_DELAY501 [3:0]			WSEQ_DATA_START501 [3:0]				WSEQ_DATA501 [7:0]												
R13292 (33ECh)	WSEQ_Sequence_503	WSEQ_DATA_WIDTH502 [2:0]				WSEQ_ADDR502 [12:0]													FFFFFFFh		
		WSEQ_DELAY502 [3:0]			WSEQ_DATA_START502 [3:0]				WSEQ_DATA502 [7:0]												
R13294 (33EEh)	WSEQ_Sequence_504	WSEQ_DATA_WIDTH503 [2:0]				WSEQ_ADDR503 [12:0]													FFFFFFFh		
		WSEQ_DELAY503 [3:0]			WSEQ_DATA_START503 [3:0]				WSEQ_DATA503 [7:0]												
R13296 (33F0h)	WSEQ_Sequence_505	WSEQ_DATA_WIDTH504 [2:0]				WSEQ_ADDR504 [12:0]													FFFFFFFh		
		WSEQ_DELAY504 [3:0]			WSEQ_DATA_START504 [3:0]				WSEQ_DATA504 [7:0]												
R13298 (33F2h)	WSEQ_Sequence_506	WSEQ_DATA_WIDTH505 [2:0]				WSEQ_ADDR505 [12:0]													FFFFFFFh		
		WSEQ_DELAY505 [3:0]			WSEQ_DATA_START505 [3:0]				WSEQ_DATA505 [7:0]												
R13300 (33F4h)	WSEQ_Sequence_507	WSEQ_DATA_WIDTH506 [2:0]				WSEQ_ADDR506 [12:0]													FFFFFFFh		
		WSEQ_DELAY506 [3:0]			WSEQ_DATA_START506 [3:0]				WSEQ_DATA506 [7:0]												
R13302 (33F6h)	WSEQ_Sequence_508	WSEQ_DATA_WIDTH507 [2:0]				WSEQ_ADDR507 [12:0]													FFFFFFFh		
		WSEQ_DELAY507 [3:0]			WSEQ_DATA_START507 [3:0]				WSEQ_DATA507 [7:0]												
R131076 (20004h)	OTP_HPDET_Cal_1	HP_OFFSET_11 [7:0]						HP_OFFSET_10 [7:0]						00000000h							
		HP_OFFSET_01 [7:0]						HP_OFFSET_00 [7:0]						00000000h							
R131078 (20006h)	OTP_HPDET_Cal_2	SPARE2 [7:0]						SPARE1 [7:0]						00000000h							
		HP_GRADIENT_1X [7:0]						HP_GRADIENT_0X [7:0]						00000000h							
R262144 (40000h)	MIF1_I2C_CONFIG_1	0	0	0	0	0	0	0	0	0	0	0	0	0	0	0	0	00000000h			
		0	0	0	0	0	0	0	0	0	0	0	0	0	0	0	MIF1_SCL_FREQ_SEL [2:0]				
R262146 (40002h)	MIF1_I2C_CONFIG_2	0	0	0	0	0	0	0	0	0	0	0	0	0	0	0	0	00000000h			
		0	0	0	0	0	MIF1_SLV_ADDR [9:0]									MIF1_ADDR_MODE					
R262148 (40004h)	MIF1_I2C_CONFIG_3	0	0	0	0	0	0	0	0	0	0	0	0	0	0	0	0	0000004h			
		0	0	0	0	0	MIF1_HS_MASTER_ID [2:0]				0	0	0	0	MIF1_NACK_RESPONSE	MIF1_SCL_MON_ENA	MIF1_RPT_START	MIF1_START_BYTE_ENA			
R262152 (40008h)	MIF1_I2C_CONFIG_5	0	0	0	0	0	0	0	0	0	0	0	0	0	0	0	0	0000001h			
		0	0	0	0	0	0	0	0	MIF1_WDT_VALUE_FRC_ENA	0	0	0	0	0	0	MIF1_WDT_ENA				
R262154 (4000Ah)	MIF1_I2C_CONFIG_6	0	0	0	0	0	0	0	0	0	0	0	0	0	0	0	0	0000800h			
		MIF1_WDT_MAX_COUNT [15:0]																			
R262272 (40080h)	MIF1_I2C_STATUS_1	0	0	0	0	0	0	0	0	0	0	0	0	0	0	0	0	0000000h			
		0	0	0	0	0	0	0	0	0	0	0	0	0	0	MIF1_WDT_TIMEOUT_STS	MIF1_ARBIT_LOST_STS	MIF1_NACK_STS			
R262400 (40100h)	MIF1_CONFIG_1	0	0	0	0	0	0	0	0	0	0	0	0	0	0	0	0	0000000h			
		0	0	0	0	0	0	0	0	0	0	0	0	0	0	0	MIF1_START				
R262404 (40104h)	MIF1_CONFIG_3	0	0	0	0	0	0	0	0	0	0	0	0	0	0	0	MIF1_WORD_SIZE [1:0]	0000000h			
		0	0	0	0	0	0	0	0	0	0	0	0	0	0	0	MIF1_READ_WRITE_SEL				
R262406 (40106h)	MIF1_CONFIG_4	0	0	0	0	0	0	0	0	0	0	0	0	0	0	0	0	0000000h			
		MIF1_TX_LENGTH [15:0]									MIF1_TX_LENGTH [20:16]										
R262416 (40110h)	MIF1_CONFIG_5	0	0	0	0	0	0	0	0	0	0	0	0	0	0	0	0	0000000h			
		MIF1_RX_LENGTH [15:0]									MIF1_RX_LENGTH [20:16]										
R262418 (40112h)	MIF1_CONFIG_6	0	0	0	0	0	0	0	0	0	0	0	0	0	0	0	0	0000010h			
		0	0	0	0	0	0	0	0	MIF1_TX_BLOCK_LENGTH [7:0]								0	0	0	
R262420 (40114h)	MIF1_CONFIG_7	0	0	0	0	0	0	0	0	0	0	0	0	0	0	0	0	0000010h			
		0	0	0	0	0	0	0	0	MIF1_RX_BLOCK_LENGTH [7:0]								0	0	0	

Table 6-2. Register Map Definition—32-bit region (Cont.)

Register	Name	31 15	30 14	29 13	28 12	27 11	26 10	25 9	24 8	23 7	22 6	21 5	20 4	19 3	18 2	17 1	16 0	Default			
R262422 (40116h)	MIF1_CONFIG_8	0	0	0	0	0	0	0	0	0	0	0	0	0	0	0	0	0000000h			
		0	0	0	0	0	0	0	0	0	0	0	MIF1_RX_DONE	0	0	0	MIF1_TX_DONE				
R262528 (40180h)	MIF1_STATUS_1	0	0	0	0	0	0	0	0	0	0	0	0	0	0	0	0	0000000h			
		0	0	0	0	0	0	0	MIF1_BUSY_STS	0	0	0	MIF1_RX_REQUEST	0	0	0	MIF1_TX_REQUEST				
R262530 (40182h)	MIF1_STATUS_2	0	0	0	0	0	0	0	0	0	0	0	MIF1_BYTE_COUNT [20:16]				0000000h				
		MIF1_BYTE_COUNT [15:0]																			
R262532 (40184h)	MIF1_STATUS_3	0	0	0	0	0	0	0	0	0	0	0	0	0	0	0	MIF1_DSP_CLK_FREQ_LOW	0000000h			
		MIF1_DSP_CLK_FREQ_STS [15:0]																			
R262656 (40200h)	MIF1_TX_1	MIF1_TX_BYTE4 [7:0]						MIF1_TX_BYTE3 [7:0]										0000000h			
		MIF1_TX_BYTE2 [7:0]						MIF1_TX_BYTE1 [7:0]													
R262658 (40202h)	MIF1_TX_2	MIF1_TX_BYTE8 [7:0]						MIF1_TX_BYTE7 [7:0]										0000000h			
		MIF1_TX_BYTE6 [7:0]						MIF1_TX_BYTE5 [7:0]													
R262660 (40204h)	MIF1_TX_3	MIF1_TX_BYTE12 [7:0]						MIF1_TX_BYTE11 [7:0]										0000000h			
		MIF1_TX_BYTE10 [7:0]						MIF1_TX_BYTE9 [7:0]													
R262662 (40206h)	MIF1_TX_4	MIF1_TX_BYTE16 [7:0]						MIF1_TX_BYTE15 [7:0]										0000000h			
		MIF1_TX_BYTE14 [7:0]						MIF1_TX_BYTE13 [7:0]													
R262912 (40300h)	MIF1_RX_1	MIF1_RX_BYTE4 [7:0]						MIF1_RX_BYTE3 [7:0]										0000000h			
		MIF1_RX_BYTE2 [7:0]						MIF1_RX_BYTE1 [7:0]													
R262914 (40302h)	MIF1_RX_2	MIF1_RX_BYTE8 [7:0]						MIF1_RX_BYTE7 [7:0]										0000000h			
		MIF1_RX_BYTE6 [7:0]						MIF1_RX_BYTE5 [7:0]													
R262916 (40304h)	MIF1_RX_3	MIF1_RX_BYTE12 [7:0]						MIF1_RX_BYTE11 [7:0]										0000000h			
		MIF1_RX_BYTE10 [7:0]						MIF1_RX_BYTE9 [7:0]													
R262918 (40306h)	MIF1_RX_4	MIF1_RX_BYTE16 [7:0]						MIF1_RX_BYTE15 [7:0]										0000000h			
		MIF1_RX_BYTE14 [7:0]						MIF1_RX_BYTE13 [7:0]													
R263168 (40400h)	MIF2_I2C_CONFIG_1	0	0	0	0	0	0	0	0	0	0	0	0	0	0	0	0	0000000h			
		0	0	0	0	0	0	0	0	0	0	0	0	0	MIF2_SCL_FREQ_SEL [2:0]		0				
R263170 (40402h)	MIF2_I2C_CONFIG_2	0	0	0	0	0	0	0	0	0	0	0	0	0	0	0	0	0000000h			
		0	0	0	0	0	MIF2_SLV_ADDR [9:0]									MIF2_ADDR_MODE					
R263172 (40404h)	MIF2_I2C_CONFIG_3	0	0	0	0	0	0	0	0	0	0	0	0	0	0	0	0	0000004h			
		0	0	0	0	0	MIF2_HS_MASTER_ID [2:0]		0	0	0	0	MIF2_NACK_RESPONSE	MIF2_SCL_MON_ENA	MIF2_RPT_START	MIF2_START_BYTE_ENA					
R263176 (40408h)	MIF2_I2C_CONFIG_5	0	0	0	0	0	0	0	0	0	0	0	0	0	0	0	0	0000001h			
		0	0	0	0	0	0	MIF2_WDT_VALUE_FRC_ENA	0	0	0	0	0	0	0	0	MIF2_WDT_ENA				
R263178 (4040Ah)	MIF2_I2C_CONFIG_6	0	0	0	0	0	0	0	0	0	0	0	0	0	0	0	0	0000080h			
		MIF2_WDT_MAX_COUNT [15:0]																			
R263296 (40480h)	MIF2_I2C_STATUS_1	0	0	0	0	0	0	0	0	0	0	0	0	0	0	0	0	0000000h			
		0	0	0	0	0	0	0	0	0	0	0	0	0	MIF2_WDT_TIMEOUT_STS	MIF2_ARBIT_LOST_STS	MIF2_NACK_STS				
R263424 (40500h)	MIF2_CONFIG_1	0	0	0	0	0	0	0	0	0	0	0	0	0	0	0	0	0000000h			
		0	0	0	0	0	0	0	0	0	0	0	0	0	0	0	MIF2_START				
R263428 (40504h)	MIF2_CONFIG_3	0	0	0	0	0	0	0	0	0	0	0	0	0	0	MIF2_WORD_SIZE [1:0]		0000000h			
		0	0	0	0	0	0	0	0	0	0	0	0	0	0	0	MIF2_READ_WRITE_SEL				
R263430 (40506h)	MIF2_CONFIG_4	0	0	0	0	0	0	0	0	0	0	MIF2_TX_LENGTH [20:16]						0000000h			
		MIF2_TX_LENGTH [15:0]																			
R263440 (40510h)	MIF2_CONFIG_5	0	0	0	0	0	0	0	0	0	0	MIF2_RX_LENGTH [20:16]						0000000h			
		MIF2_RX_LENGTH [15:0]																			
R263442 (40512h)	MIF2_CONFIG_6	0	0	0	0	0	0	0	0	0	0	0	0	0	0	0	0	0000010h			
		0	0	0	0	0	0	0	0	MIF2_TX_BLOCK_LENGTH [7:0]											
R263444 (40514h)	MIF2_CONFIG_7	0	0	0	0	0	0	0	0	0	0	0	0	0	0	0	0	0000010h			
		0	0	0	0	0	0	0	0	MIF2_RX_BLOCK_LENGTH [7:0]											
R263446 (40516h)	MIF2_CONFIG_8	0	0	0	0	0	0	0	0	0	0	0	0	0	0	0	0	0000000h			
		0	0	0	0	0	0	0	0	0	0	0	MIF2_RX_DONE	0	0	0	MIF2_TX_DONE				
R263552 (40580h)	MIF2_STATUS_1	0	0	0	0	0	0	0	0	0	0	0	0	0	0	0	0	0000000h			
		0	0	0	0	0	0	0	MIF2_BUSY_STS	0	0	0	MIF2_RX_REQUEST	0	0	0	MIF2_TX_REQUEST				
R263554 (40582h)	MIF2_STATUS_2	0	0	0	0	0	0	0	0	0	0	MIF2_BYTE_COUNT [20:16]						0000000h			
		MIF2_BYTE_COUNT [15:0]																			

Table 6-2. Register Map Definition—32-bit region (Cont.)

Register	Name	31 15	30 14	29 13	28 12	27 11	26 10	25 9	24 8	23 7	22 6	21 5	20 4	19 3	18 2	17 1	16 0	Default					
R263556 (40584h)	MIF2_STATUS_3	0	0	0	0	0	0	0	0	0	0	0	0	0	0	0	MIF2_DSP_CLK_FREQ_LOW	0000000h					
		MIF2_DSP_CLK_FREQ_STS [15:0]																					
R263680 (40600h)	MIF2_TX_1					MIF2_TX_BYTE4 [7:0]								MIF2_TX_BYTE3 [7:0]				0000000h					
						MIF2_TX_BYTE2 [7:0]								MIF2_TX_BYTE1 [7:0]									
R263682 (40602h)	MIF2_TX_2					MIF2_TX_BYTE8 [7:0]								MIF2_TX_BYTE7 [7:0]				0000000h					
						MIF2_TX_BYTE6 [7:0]								MIF2_TX_BYTE5 [7:0]									
R263684 (40604h)	MIF2_TX_3					MIF2_TX_BYTE12 [7:0]								MIF2_TX_BYTE11 [7:0]				0000000h					
						MIF2_TX_BYTE10 [7:0]								MIF2_TX_BYTE9 [7:0]									
R263686 (40606h)	MIF2_TX_4					MIF2_TX_BYTE16 [7:0]								MIF2_TX_BYTE15 [7:0]				0000000h					
						MIF2_TX_BYTE14 [7:0]								MIF2_TX_BYTE13 [7:0]									
R263936 (40700h)	MIF2_RX_1					MIF2_RX_BYTE4 [7:0]								MIF2_RX_BYTE3 [7:0]				0000000h					
						MIF2_RX_BYTE2 [7:0]								MIF2_RX_BYTE1 [7:0]									
R263938 (40702h)	MIF2_RX_2					MIF2_RX_BYTE8 [7:0]								MIF2_RX_BYTE7 [7:0]				0000000h					
						MIF2_RX_BYTE6 [7:0]								MIF2_RX_BYTE5 [7:0]									
R263940 (40704h)	MIF2_RX_3					MIF2_RX_BYTE12 [7:0]								MIF2_RX_BYTE11 [7:0]				0000000h					
						MIF2_RX_BYTE10 [7:0]								MIF2_RX_BYTE9 [7:0]									
R263942 (40706h)	MIF2_RX_4					MIF2_RX_BYTE16 [7:0]								MIF2_RX_BYTE15 [7:0]				0000000h					
						MIF2_RX_BYTE14 [7:0]								MIF2_RX_BYTE13 [7:0]									
R264192 (40800h)	MIF3_I2C_CONFIG_1	0	0	0	0	0	0	0	0	0	0	0	0	0	0	0	0	MIF3_SCL_FREQ_SEL [2:0]	0000000h				
		0	0	0	0	0	0	0	0	0	0	0	0	0	0	0	0						
R264194 (40802h)	MIF3_I2C_CONFIG_2	0	0	0	0	0	0	0	0	0	0	0	0	0	0	0	0	MIF3_SLV_ADDR [9:0]	MIF3_ADDR_MODE	0000000h			
		0	0	0	0	0																	
R264196 (40804h)	MIF3_I2C_CONFIG_3	0	0	0	0	0	0	0	0	0	0	0	0	0	0	0	0	MIF3_HS_MASTER_ID [2:0]	MIF3_NACK_RESPONSE	MIF3_SCL_MON_ENA	MIF3_RPT_START	MIF3_START_BYTE_ENA	00000004h
		0	0	0	0	0	MIF3_HS_MASTER_ID [2:0]		0	0	0	0	MIF3_NACK_RESPONSE	MIF3_SCL_MON_ENA	MIF3_RPT_START	MIF3_START_BYTE_ENA	0	0					
R264200 (40808h)	MIF3_I2C_CONFIG_5	0	0	0	0	0	0	0	0	0	0	0	0	0	0	0	0	MIF3_WDT_VALUE_FRC_ENA	MIF3_WDT_ENA	00000001h			
		0	0	0	0	0	0	0	MIF3_WDT_VALUE_FRC_ENA	0	0	0	0	0	0	0	0		MIF3_WDT_ENA				
R264202 (4080Ah)	MIF3_I2C_CONFIG_6	0	0	0	0	0	0	0	0	0	0	0	0	0	0	0	0	MIF3_WDT_MAX_COUNT [15:0]		00000800h			
		MIF3_WDT_MAX_COUNT [15:0]																					
R264320 (40880h)	MIF3_I2C_STATUS_1	0	0	0	0	0	0	0	0	0	0	0	0	0	0	0	0	MIF3_WDT_TIMEOUT_STS	MIF3_ARBIT_LOST_STS	MIF3_NACK_STS	00000000h		
		0	0	0	0	0	0	0	0	0	0	0	0	0	0	0	0						
R264448 (40900h)	MIF3_CONFIG_1	0	0	0	0	0	0	0	0	0	0	0	0	0	0	0	0	MIF3_START	00000000h				
		0	0	0	0	0	0	0	0	0	0	0	0	0	0	0	0		MIF3_START				
R264452 (40904h)	MIF3_CONFIG_3	0	0	0	0	0	0	0	0	0	0	0	0	0	0	0	0	MIF3_WORD_SIZE [1:0]	MIF3_READ_WRITE_SEL	00000000h			
		0	0	0	0	0	0	0	0	0	0	0	0	0	0	0	0		MIF3_READ_WRITE_SEL				
R264454 (40906h)	MIF3_CONFIG_4	0	0	0	0	0	0	0	0	0	0	0	MIF3_TX_LENGTH [20:16]					00000000h					
		MIF3_TX_LENGTH [15:0]																					
R264464 (40910h)	MIF3_CONFIG_5	0	0	0	0	0	0	0	0	0	0	MIF3_RX_LENGTH [20:16]					00000000h						
		MIF3_RX_LENGTH [15:0]																					
R264466 (40912h)	MIF3_CONFIG_6	0	0	0	0	0	0	0	0	0	0	0	0	0	0	0	0	MIF3_TX_BLOCK_LENGTH [7:0]		00000010h			
		0	0	0	0	0	0	0	0					MIF3_TX_BLOCK_LENGTH [7:0]									
R264468 (40914h)	MIF3_CONFIG_7	0	0	0	0	0	0	0	0	0	0	0	0	0	0	0	0	MIF3_RX_BLOCK_LENGTH [7:0]		00000010h			
		0	0	0	0	0	0	0	0					MIF3_RX_BLOCK_LENGTH [7:0]									
R264470 (40916h)	MIF3_CONFIG_8	0	0	0	0	0	0	0	0	0	0	0	0	0	0	0	0	MIF3_RX_DONE	MIF3_TX_DONE	00000000h			
		0	0	0	0	0	0	0	0	0	0	0	0	0	0	0	0		MIF3_TX_DONE				
R264576 (40980h)	MIF3_STATUS_1	0	0	0	0	0	0	0	0	0	0	0	0	0	0	0	0	MIF3_BUSY_STS	MIF3_RX_REQUEST	MIF3_TX_REQUEST	00000000h		
		0	0	0	0	0	0	0	MIF3_BUSY_STS	0	0	0	MIF3_RX_REQUEST	0	0	0	0		MIF3_TX_REQUEST				
R264578 (40982h)	MIF3_STATUS_2	0	0	0	0	0	0	0	0	0	0	MIF3_BYTE_COUNT [20:16]					00000000h						
		MIF3_BYTE_COUNT [15:0]																					
R264580 (40984h)	MIF3_STATUS_3	0	0	0	0	0	0	0	0	0	0	0	0	0	0	0	0	MIF3_DSP_CLK_FREQ_LOW	00000000h				
		MIF3_DSP_CLK_FREQ_STS [15:0]																					
R264704 (40A00h)	MIF3_TX_1					MIF3_TX_BYTE4 [7:0]								MIF3_TX_BYTE3 [7:0]				00000000h					
						MIF3_TX_BYTE2 [7:0]								MIF3_TX_BYTE1 [7:0]									
R264706 (40A02h)	MIF3_TX_2					MIF3_TX_BYTE8 [7:0]								MIF3_TX_BYTE7 [7:0]				00000000h					
						MIF3_TX_BYTE6 [7:0]								MIF3_TX_BYTE5 [7:0]									

Table 6-2. Register Map Definition—32-bit region (Cont.)

Register	Name	31 15	30 14	29 13	28 12	27 11	26 10	25 9	24 8	23 7	22 6	21 5	20 4	19 3	18 2	17 1	16 0	Default					
R264708 (40A04h)	MIF3_TX_3	MIF3_TX_BYTE12 [7:0]							MIF3_TX_BYTE11 [7:0]							00000000h							
R264710 (40A06h)	MIF3_TX_4	MIF3_TX_BYTE16 [7:0]							MIF3_TX_BYTE15 [7:0]							00000000h							
R264960 (40B00h)	MIF3_RX_1	MIF3_RX_BYTE4 [7:0]							MIF3_RX_BYTE3 [7:0]							00000000h							
R264962 (40B02h)	MIF3_RX_2	MIF3_RX_BYTE8 [7:0]							MIF3_RX_BYTE7 [7:0]							00000000h							
R264964 (40B04h)	MIF3_RX_3	MIF3_RX_BYTE12 [7:0]							MIF3_RX_BYTE11 [7:0]							00000000h							
R264966 (40B06h)	MIF3_RX_4	MIF3_RX_BYTE16 [7:0]							MIF3_RX_BYTE15 [7:0]							00000000h							
R270338 (42002h)	SLIMbus_RX_Start_Addr9	0	0	0	0	0	0	0	0	SLIMRX9_START_ADDR [23:16]							00000000h						
R270340 (42004h)	SLIMbus_RX_Ports9	0	0	0	0	0	0	0	0	SLIMRX9_START_ADDR [15:0]							0000010h						
R270342 (42006h)	SLIMbus_RX_Port_Status9	0	0	0	0	0	0	0	0	SLIMRX9_PORT_ADDR [5:0]							00000000h						
R270344 (42008h)	SLIMbus_RX_Start_Addr10	0	0	0	0	0	0	0	0	SLIMRX10_START_ADDR [23:16]							00000000h						
R270346 (4200Ah)	SLIMbus_RX_Ports10	0	0	0	0	0	0	0	0	SLIMRX10_START_ADDR [15:0]							00000011h						
R270348 (4200Ch)	SLIMbus_RX_Port_Status10	0	0	0	0	0	0	0	0	SLIMRX10_PORT_ADDR [5:0]							00000000h						
R270350 (4200Eh)	SLIMbus_RX_Start_Addr11	0	0	0	0	0	0	0	0	SLIMRX11_START_ADDR [23:16]							00000000h						
R270352 (42010h)	SLIMbus_RX_Ports11	0	0	0	0	0	0	0	0	SLIMRX11_START_ADDR [15:0]							0000012h						
R270354 (42012h)	SLIMbus_RX_Port_Status11	0	0	0	0	0	0	0	0	SLIMRX11_PORT_ADDR [5:0]							00000000h						
R270356 (42014h)	SLIMbus_TX_Start_Addr9	0	0	0	0	0	0	0	0	SLIMRX11_ADDR [23:16]							00000000h						
R270358 (42016h)	SLIMbus_TX_Ports9	0	0	0	0	0	0	0	0	SLIMRX11_ADDR [15:0]							00000018h						
R270360 (42018h)	SLIMbus_TX_Port_Status9	0	0	0	0	0	0	0	0	SLIMTX9_START_ADDR [23:16]							00000000h						
R270362 (4201Ah)	SLIMbus_TX_Start_Addr10	0	0	0	0	0	0	0	0	SLIMTX9_START_ADDR [15:0]							00000000h						
R270364 (4201Ch)	SLIMbus_TX_Ports10	0	0	0	0	0	0	0	0	SLIMTX9_PORT_ADDR [5:0]							00000019h						
R270366 (4201Eh)	SLIMbus_TX_Port_Status10	0	0	0	0	0	0	0	0	SLIMTX9_ADDR [23:16]							00000000h						
R270368 (42020h)	SLIMbus_TX_Start_Addr11	0	0	0	0	0	0	0	0	SLIMTX10_START_ADDR [23:16]							00000000h						
R270370 (42022h)	SLIMbus_TX_Ports11	0	0	0	0	0	0	0	0	SLIMTX10_START_ADDR [15:0]							000001Ah						
R270372 (42024h)	SLIMbus_TX_Port_Status11	0	0	0	0	0	0	0	0	SLIMTX10_PORT_ADDR [5:0]							00000000h						
R294912 (48000h)	EVENTLOG1_CONTROL	0	0	0	0	0	0	0	0	EVENTLOG1_FLL_AO_CLKENA	0	0	0	0	0	0	0	0	EVENTLOG1_RST	EVENTLOG1_ENA	00000000h		
R294916 (48004h)	EVENTLOG1_TIMER_SEL	0	0	0	0	0	0	0	0	0	0	0	0	0	0	0	0	0	0	EVENTLOG1_TIMER_SEL [1:0]	00000000h		
R294924 (4800Ch)	EVENTLOG1_FIFO_CONTROL1	0	0	0	0	0	0	0	0	0	0	0	0	0	0	0	0	0	0	EVENTLOG1_FIFO_WMARK [3:0]	0000001h		
R294926 (4800Eh)	EVENTLOG1_FIFO_POINTER1	0	0	0	0	0	0	0	0	0	0	0	0	0	0	0	0	EVENTLOG1_FULL	EVENTLOG1_WMARK_STS	EVENTLOG1_NOT_EMPTY	00000000h		
R294944 (48020h)	EVENTLOG1_CH_ENABLE1	0	0	0	0	0	0	0	0	0	0	0	0	0	0	0	0	0	0	EVENTLOG1_FIFO_WPTR [3:0]	EVENTLOG1_FIFO_RPTR [3:0]	00000000h	
R294976 (48040h)	EVENTLOG1_CH1_DEFINE	EVENTLOG1_CH1_ENA	EVENTLOG1_CH15_ENA	EVENTLOG1_CH14_ENA	EVENTLOG1_CH13_ENA	EVENTLOG1_CH12_ENA	EVENTLOG1_CH11_ENA	EVENTLOG1_CH10_ENA	EVENTLOG1_CH9_ENA	EVENTLOG1_CH8_ENA	EVENTLOG1_CH7_ENA	EVENTLOG1_CH6_ENA	EVENTLOG1_CH5_ENA	EVENTLOG1_CH4_ENA	EVENTLOG1_CH3_ENA	EVENTLOG1_CH2_ENA	EVENTLOG1_CH1_ENA	0	0	0	0	EVENTLOG1_CH1_SEL [9:0]	00000000h
R294978 (48042h)	EVENTLOG1_CH2_DEFINE	EVENTLOG1_CH2_DB	EVENTLOG1_CH2_POL	0	0	0	0	0	0	0	0	0	0	0	0	0	0	0	0	0	0	EVENTLOG1_CH2_SEL [9:0]	00000000h

Table 6-2. Register Map Definition—32-bit region (Cont.)

Register	Name	31 15	30 14	29 13	28 12	27 11	26 10	25 9	24 8	23 7	22 6	21 5	20 4	19 3	18 2	17 1	16 0	Default
R294980 (48044h)	EVENTLOG1_CH3_ DEFINE	0	0	0	0	0	0	0	0	0	0	0	0	0	0	0	0	0000000h
		EVENTLO G1_CH3_ DB	EVENTLO G1_CH3_ POL	0	0	0	0	EVENTLOG1_CH3_SEL [9:0]										
R294982 (48046h)	EVENTLOG1_CH4_ DEFINE	0	0	0	0	0	0	0	0	0	0	0	0	0	0	0	0	0000000h
		EVENTLO G1_CH4_ DB	EVENTLO G1_CH4_ POL	0	0	0	0	EVENTLOG1_CH4_SEL [9:0]										
R294984 (48048h)	EVENTLOG1_CH5_ DEFINE	0	0	0	0	0	0	0	0	0	0	0	0	0	0	0	0	0000000h
		EVENTLO G1_CH5_ DB	EVENTLO G1_CH5_ POL	0	0	0	0	EVENTLOG1_CH5_SEL [9:0]										
R294986 (4804Ah)	EVENTLOG1_CH6_ DEFINE	0	0	0	0	0	0	0	0	0	0	0	0	0	0	0	0	0000000h
		EVENTLO G1_CH6_ DB	EVENTLO G1_CH6_ POL	0	0	0	0	EVENTLOG1_CH6_SEL [9:0]										
R294988 (4804Ch)	EVENTLOG1_CH7_ DEFINE	0	0	0	0	0	0	0	0	0	0	0	0	0	0	0	0	0000000h
		EVENTLO G1_CH7_ DB	EVENTLO G1_CH7_ POL	0	0	0	0	EVENTLOG1_CH7_SEL [9:0]										
R294990 (4804Eh)	EVENTLOG1_CH8_ DEFINE	0	0	0	0	0	0	0	0	0	0	0	0	0	0	0	0	0000000h
		EVENTLO G1_CH8_ DB	EVENTLO G1_CH8_ POL	0	0	0	0	EVENTLOG1_CH8_SEL [9:0]										
R294992 (48050h)	EVENTLOG1_CH9_ DEFINE	0	0	0	0	0	0	0	0	0	0	0	0	0	0	0	0	0000000h
		EVENTLO G1_CH9_ DB	EVENTLO G1_CH9_ POL	0	0	0	0	EVENTLOG1_CH9_SEL [9:0]										
R294994 (48052h)	EVENTLOG1_CH10_ DEFINE	0	0	0	0	0	0	0	0	0	0	0	0	0	0	0	0	0000000h
		EVENTLO G1_CH10_ DB	EVENTLO G1_CH10_ POL	0	0	0	0	EVENTLOG1_CH10_SEL [9:0]										
R294996 (48054h)	EVENTLOG1_CH11_ DEFINE	0	0	0	0	0	0	0	0	0	0	0	0	0	0	0	0	0000000h
		EVENTLO G1_CH11_ DB	EVENTLO G1_CH11_ POL	0	0	0	0	EVENTLOG1_CH11_SEL [9:0]										
R294998 (48056h)	EVENTLOG1_CH12_ DEFINE	0	0	0	0	0	0	0	0	0	0	0	0	0	0	0	0	0000000h
		EVENTLO G1_CH12_ DB	EVENTLO G1_CH12_ POL	0	0	0	0	EVENTLOG1_CH12_SEL [9:0]										
R295000 (48058h)	EVENTLOG1_CH13_ DEFINE	0	0	0	0	0	0	0	0	0	0	0	0	0	0	0	0	0000000h
		EVENTLO G1_CH13_ DB	EVENTLO G1_CH13_ POL	0	0	0	0	EVENTLOG1_CH13_SEL [9:0]										
R295002 (4805Ah)	EVENTLOG1_CH14_ DEFINE	0	0	0	0	0	0	0	0	0	0	0	0	0	0	0	0	0000000h
		EVENTLO G1_CH14_ DB	EVENTLO G1_CH14_ POL	0	0	0	0	EVENTLOG1_CH14_SEL [9:0]										
R295004 (4805Ch)	EVENTLOG1_CH15_ DEFINE	0	0	0	0	0	0	0	0	0	0	0	0	0	0	0	0	0000000h
		EVENTLO G1_CH15_ DB	EVENTLO G1_CH15_ POL	0	0	0	0	EVENTLOG1_CH15_SEL [9:0]										
R295006 (4805Eh)	EVENTLOG1_CH16_ DEFINE	0	0	0	0	0	0	0	0	0	0	0	0	0	0	0	0	0000000h
		EVENTLO G1_CH16_ DB	EVENTLO G1_CH16_ POL	0	0	0	0	EVENTLOG1_CH16_SEL [9:0]										
R295040 (48080h)	EVENTLOG1_FIFO0_ READ	0	0	0	0	0	0	0	0	0	0	0	0	0	0	0	0	0000000h
		0	0	0	EVENTLO G1 FIFO0_ POL	0	0	EVENTLOG1_FIFO0_ID [9:0]										
R295042 (48082h)	EVENTLOG1_FIFO0_ TIME	EVENTLOG1_FIFO0_TIME [31:16]																0000000h
		EVENTLOG1_FIFO0_TIME [15:0]																
R295044 (48084h)	EVENTLOG1_FIFO1_ READ	0	0	0	0	0	0	0	0	0	0	0	0	0	0	0	0	0000000h
		0	0	0	EVENTLO G1 FIFO1_ POL	0	0	EVENTLOG1_FIFO1_ID [9:0]										
R295046 (48086h)	EVENTLOG1_FIFO1_ TIME	EVENTLOG1_FIFO1_TIME [31:16]																0000000h
		EVENTLOG1_FIFO1_TIME [15:0]																
R295048 (48088h)	EVENTLOG1_FIFO2_ READ	0	0	0	0	0	0	0	0	0	0	0	0	0	0	0	0	0000000h
		0	0	0	EVENTLO G1 FIFO2_ POL	0	0	EVENTLOG1_FIFO2_ID [9:0]										
R295050 (4808Ah)	EVENTLOG1_FIFO2_ TIME	EVENTLOG1_FIFO2_TIME [31:16]																0000000h
		EVENTLOG1_FIFO2_TIME [15:0]																
R295052 (4808Ch)	EVENTLOG1_FIFO3_ READ	0	0	0	0	0	0	0	0	0	0	0	0	0	0	0	0	0000000h
		0	0	0	EVENTLO G1 FIFO3_ POL	0	0	EVENTLOG1_FIFO3_ID [9:0]										
R295054 (4808Eh)	EVENTLOG1_FIFO3_ TIME	EVENTLOG1_FIFO3_TIME [31:16]																0000000h
		EVENTLOG1_FIFO3_TIME [15:0]																

Table 6-2. Register Map Definition—32-bit region (Cont.)

Register	Name	31 15	30 14	29 13	28 12	27 11	26 10	25 9	24 8	23 7	22 6	21 5	20 4	19 3	18 2	17 1	16 0	Default
R295056 (48090h)	EVENTLOG1_FIFO4_ READ	0	0	0	0	0	0	0	0	0	0	0	0	0	0	0	0	0000000h
		0	0	0	EVENTLO G1 FIFO4_ POL	0	0	EVENTLOG1_FIFO4_ID [9:0]										
R295058 (48092h)	EVENTLOG1_FIFO4_ TIME	EVENTLOG1_FIFO4_TIME [31:16]																0000000h
		EVENTLOG1_FIFO4_TIME [15:0]																
R295060 (48094h)	EVENTLOG1_FIFO5_ READ	0	0	0	0	0	0	0	0	0	0	0	0	0	0	0	0	0000000h
		0	0	0	EVENTLO G1 FIFO5_ POL	0	0	EVENTLOG1_FIFO5_ID [9:0]										
R295062 (48096h)	EVENTLOG1_FIFO5_ TIME	EVENTLOG1_FIFO5_TIME [31:16]																0000000h
		EVENTLOG1_FIFO5_TIME [15:0]																
R295064 (48098h)	EVENTLOG1_FIFO6_ READ	0	0	0	0	0	0	0	0	0	0	0	0	0	0	0	0	0000000h
		0	0	0	EVENTLO G1 FIFO6_ POL	0	0	EVENTLOG1_FIFO6_ID [9:0]										
R295066 (4809Ah)	EVENTLOG1_FIFO6_ TIME	EVENTLOG1_FIFO6_TIME [31:16]																0000000h
		EVENTLOG1_FIFO6_TIME [15:0]																
R295068 (4809Ch)	EVENTLOG1_FIFO7_ READ	0	0	0	0	0	0	0	0	0	0	0	0	0	0	0	0	0000000h
		0	0	0	EVENTLO G1 FIFO7_ POL	0	0	EVENTLOG1_FIFO7_ID [9:0]										
R295070 (4809Eh)	EVENTLOG1_FIFO7_ TIME	EVENTLOG1_FIFO7_TIME [31:16]																0000000h
		EVENTLOG1_FIFO7_TIME [15:0]																
R295072 (480A0h)	EVENTLOG1_FIFO8_ READ	0	0	0	0	0	0	0	0	0	0	0	0	0	0	0	0	0000000h
		0	0	0	EVENTLO G1 FIFO8_ POL	0	0	EVENTLOG1_FIFO8_ID [9:0]										
R295074 (480A2h)	EVENTLOG1_FIFO8_ TIME	EVENTLOG1_FIFO8_TIME [31:16]																0000000h
		EVENTLOG1_FIFO8_TIME [15:0]																
R295076 (480A4h)	EVENTLOG1_FIFO9_ READ	0	0	0	0	0	0	0	0	0	0	0	0	0	0	0	0	0000000h
		0	0	0	EVENTLO G1 FIFO9_ POL	0	0	EVENTLOG1_FIFO9_ID [9:0]										
R295078 (480A6h)	EVENTLOG1_FIFO9_ TIME	EVENTLOG1_FIFO9_TIME [31:16]																0000000h
		EVENTLOG1_FIFO9_TIME [15:0]																
R295080 (480A8h)	EVENTLOG1_FIFO10_ READ	0	0	0	0	0	0	0	0	0	0	0	0	0	0	0	0	0000000h
		0	0	0	EVENTLO G1 FIFO10_ POL	0	0	EVENTLOG1_FIFO10_ID [9:0]										
R295082 (480AAh)	EVENTLOG1_FIFO10_ TIME	EVENTLOG1_FIFO10_TIME [31:16]																0000000h
		EVENTLOG1_FIFO10_TIME [15:0]																
R295084 (480ACh)	EVENTLOG1_FIFO11_ READ	0	0	0	0	0	0	0	0	0	0	0	0	0	0	0	0	0000000h
		0	0	0	EVENTLO G1 FIFO11_ POL	0	0	EVENTLOG1_FIFO11_ID [9:0]										
R295086 (480AEh)	EVENTLOG1_FIFO11_ TIME	EVENTLOG1_FIFO11_TIME [31:16]																0000000h
		EVENTLOG1_FIFO11_TIME [15:0]																
R295088 (480B0h)	EVENTLOG1_FIFO12_ READ	0	0	0	0	0	0	0	0	0	0	0	0	0	0	0	0	0000000h
		0	0	0	EVENTLO G1 FIFO12_ POL	0	0	EVENTLOG1_FIFO12_ID [9:0]										
R295090 (480B2h)	EVENTLOG1_FIFO12_ TIME	EVENTLOG1_FIFO12_TIME [31:16]																0000000h
		EVENTLOG1_FIFO12_TIME [15:0]																
R295092 (480B4h)	EVENTLOG1_FIFO13_ READ	0	0	0	0	0	0	0	0	0	0	0	0	0	0	0	0	0000000h
		0	0	0	EVENTLO G1 FIFO13_ POL	0	0	EVENTLOG1_FIFO13_ID [9:0]										
R295094 (480B6h)	EVENTLOG1_FIFO13_ TIME	EVENTLOG1_FIFO13_TIME [31:16]																0000000h
		EVENTLOG1_FIFO13_TIME [15:0]																
R295096 (480B8h)	EVENTLOG1_FIFO14_ READ	0	0	0	0	0	0	0	0	0	0	0	0	0	0	0	0	0000000h
		0	0	0	EVENTLO G1 FIFO14_ POL	0	0	EVENTLOG1_FIFO14_ID [9:0]										
R295098 (480BAh)	EVENTLOG1_FIFO14_ TIME	EVENTLOG1_FIFO14_TIME [31:16]																0000000h
		EVENTLOG1_FIFO14_TIME [15:0]																
R295100 (480BCh)	EVENTLOG1_FIFO15_ READ	0	0	0	0	0	0	0	0	0	0	0	0	0	0	0	0	0000000h
		0	0	0	EVENTLO G1 FIFO15_ POL	0	0	EVENTLOG1_FIFO15_ID [9:0]										
R295102 (480BEh)	EVENTLOG1_FIFO15_ TIME	EVENTLOG1_FIFO15_TIME [31:16]																0000000h
		EVENTLOG1_FIFO15_TIME [15:0]																

Table 6-2. Register Map Definition—32-bit region (Cont.)

Register	Name	31 15	30 14	29 13	28 12	27 11	26 10	25 9	24 8	23 7	22 6	21 5	20 4	19 3	18 2	17 1	16 0	Default
R295428 (48204h)R2SEL 95424 (48200h)	EVENTLOG2_TIMER_	0	0	0	0	0	0	0	0	0	0	0	0	0	0	0	0	0000000h
		0	0	0	0	0	0	0	0	0	0	0	0	0	0	EVENTLOG2_TIMER_SEL [1:0]		
R295436 (4820Ch)	EVENTLOG2_FIFO_	0	0	0	0	0	0	0	0	0	0	0	0	0	0	0	0	0000001h
	CONTROL1	0	0	0	0	0	0	0	0	0	0	0	0	EVENTLOG2_FIFO_WMARK [3:0]				
R295438 (4820Eh)	EVENTLOG2_FIFO_	0	0	0	0	0	0	0	0	0	0	0	0	0	0	0	0	0000000h
	POINTER1	0	0	0	0	0	0	0	0	0	0	0	0	0	EVENTLOG2_FULL	EVENTLOG2_WMARK_STS	EVENTLOG2_NOT_EMPTY	
		0	0	0	0	EVENTLOG2_FIFO_WPTR [3:0]			0	0	0	0	EVENTLOG2_FIFO_RPTR [3:0]					
R295456 (48220h)	EVENTLOG2_CH_	0	0	0	0	0	0	0	0	0	0	0	0	0	0	0	0	0000000h
	ENABLE1	EVENTLOG2_CH16_ENA	EVENTLOG2_CH15_ENA	EVENTLOG2_CH14_ENA	EVENTLOG2_CH13_ENA	EVENTLOG2_CH12_ENA	EVENTLOG2_CH11_ENA	EVENTLOG2_CH10_ENA	EVENTLOG2_CH9_ENA	EVENTLOG2_CH8_ENA	EVENTLOG2_CH7_ENA	EVENTLOG2_CH6_ENA	EVENTLOG2_CH5_ENA	EVENTLOG2_CH4_ENA	EVENTLOG2_CH3_ENA	EVENTLOG2_CH2_ENA	EVENTLOG2_CH1_ENA	
R295488 (48240h)	EVENTLOG2_CH1_	0	0	0	0	0	0	0	0	0	0	0	0	0	0	0	0	0000000h
	DEFINE	EVENTLOG2_CH1_DB	EVENTLOG2_CH1_POL	0	0	0	0	EVENTLOG2_CH1_SEL [9:0]										
R295490 (48242h)	EVENTLOG2_CH2_	0	0	0	0	0	0	0	0	0	0	0	0	0	0	0	0	0000000h
	DEFINE	EVENTLOG2_CH2_DB	EVENTLOG2_CH2_POL	0	0	0	0	EVENTLOG2_CH2_SEL [9:0]										
R295492 (48244h)	EVENTLOG2_CH3_	0	0	0	0	0	0	0	0	0	0	0	0	0	0	0	0	0000000h
	DEFINE	EVENTLOG2_CH3_DB	EVENTLOG2_CH3_POL	0	0	0	0	EVENTLOG2_CH3_SEL [9:0]										
R295494 (48246h)	EVENTLOG2_CH4_	0	0	0	0	0	0	0	0	0	0	0	0	0	0	0	0	0000000h
	DEFINE	EVENTLOG2_CH4_DB	EVENTLOG2_CH4_POL	0	0	0	0	EVENTLOG2_CH4_SEL [9:0]										
R295496 (48248h)	EVENTLOG2_CH5_	0	0	0	0	0	0	0	0	0	0	0	0	0	0	0	0	0000000h
	DEFINE	EVENTLOG2_CH5_DB	EVENTLOG2_CH5_POL	0	0	0	0	EVENTLOG2_CH5_SEL [9:0]										
R295498 (4824Ah)	EVENTLOG2_CH6_	0	0	0	0	0	0	0	0	0	0	0	0	0	0	0	0	0000000h
	DEFINE	EVENTLOG2_CH6_DB	EVENTLOG2_CH6_POL	0	0	0	0	EVENTLOG2_CH6_SEL [9:0]										
R295500 (4824Ch)	EVENTLOG2_CH7_	0	0	0	0	0	0	0	0	0	0	0	0	0	0	0	0	0000000h
	DEFINE	EVENTLOG2_CH7_DB	EVENTLOG2_CH7_POL	0	0	0	0	EVENTLOG2_CH7_SEL [9:0]										
R295502 (4824Eh)	EVENTLOG2_CH8_	0	0	0	0	0	0	0	0	0	0	0	0	0	0	0	0	0000000h
	DEFINE	EVENTLOG2_CH8_DB	EVENTLOG2_CH8_POL	0	0	0	0	EVENTLOG2_CH8_SEL [9:0]										
R295504 (48250h)	EVENTLOG2_CH9_	0	0	0	0	0	0	0	0	0	0	0	0	0	0	0	0	0000000h
	DEFINE	EVENTLOG2_CH9_DB	EVENTLOG2_CH9_POL	0	0	0	0	EVENTLOG2_CH9_SEL [9:0]										
R295506 (48252h)	EVENTLOG2_CH10_	0	0	0	0	0	0	0	0	0	0	0	0	0	0	0	0	0000000h
	DEFINE	EVENTLOG2_CH10_DB	EVENTLOG2_CH10_POL	0	0	0	0	EVENTLOG2_CH10_SEL [9:0]										
R295508 (48254h)	EVENTLOG2_CH11_	0	0	0	0	0	0	0	0	0	0	0	0	0	0	0	0	0000000h
	DEFINE	EVENTLOG2_CH11_DB	EVENTLOG2_CH11_POL	0	0	0	0	EVENTLOG2_CH11_SEL [9:0]										
R295510 (48256h)	EVENTLOG2_CH12_	0	0	0	0	0	0	0	0	0	0	0	0	0	0	0	0	0000000h
	DEFINE	EVENTLOG2_CH12_DB	EVENTLOG2_CH12_POL	0	0	0	0	EVENTLOG2_CH12_SEL [9:0]										
R295512 (48258h)	EVENTLOG2_CH13_	0	0	0	0	0	0	0	0	0	0	0	0	0	0	0	0	0000000h
	DEFINE	EVENTLOG2_CH13_DB	EVENTLOG2_CH13_POL	0	0	0	0	EVENTLOG2_CH13_SEL [9:0]										
R295514 (4825Ah)	EVENTLOG2_CH14_	0	0	0	0	0	0	0	0	0	0	0	0	0	0	0	0	0000000h
	DEFINE	EVENTLOG2_CH14_DB	EVENTLOG2_CH14_POL	0	0	0	0	EVENTLOG2_CH14_SEL [9:0]										
R295516 (4825Ch)	EVENTLOG2_CH15_	0	0	0	0	0	0	0	0	0	0	0	0	0	0	0	0	0000000h
	DEFINE	EVENTLOG2_CH15_DB	EVENTLOG2_CH15_POL	0	0	0	0	EVENTLOG2_CH15_SEL [9:0]										
R295518 (4825Eh)	EVENTLOG2_CH16_	0	0	0	0	0	0	0	0	0	0	0	0	0	0	0	0	0000000h
	DEFINE	EVENTLOG2_CH16_DB	EVENTLOG2_CH16_POL	0	0	0	0	EVENTLOG2_CH16_SEL [9:0]										
R295552 (48280h)	EVENTLOG2_FIFO0_	0	0	0	0	0	0	0	0	0	0	0	0	0	0	0	0	0000000h
	READ	0	0	0	EVENTLOG2_FIFO0_POL	0	0	EVENTLOG2_FIFO0_ID [9:0]										
R295554 (48282h)	EVENTLOG2_FIFO0_	EVENTLOG2_FIFO0_TIME [31:16]																0000000h
	TIME	EVENTLOG2_FIFO0_TIME [15:0]																

Table 6-2. Register Map Definition—32-bit region (Cont.)

Register	Name	31 15	30 14	29 13	28 12	27 11	26 10	25 9	24 8	23 7	22 6	21 5	20 4	19 3	18 2	17 1	16 0	Default
R295556 (48284h)	EVENTLOG2_FIFO1_ READ	0	0	0	0	0	0	0	0	0	0	0	0	0	0	0	0	0000000h
		0	0	0	EVENTLO G2 FIFO1_ POL	0	0	EVENTLOG2_FIFO1_ID [9:0]										
R295558 (48286h)	EVENTLOG2_FIFO1_ TIME	EVENTLOG2_FIFO1_TIME [31:16]																0000000h
		EVENTLOG2_FIFO1_TIME [15:0]																
R295560 (48288h)	EVENTLOG2_FIFO2_ READ	0	0	0	0	0	0	0	0	0	0	0	0	0	0	0	0	0000000h
		0	0	0	EVENTLO G2 FIFO2_ POL	0	0	EVENTLOG2_FIFO2_ID [9:0]										
R295562 (4828Ah)	EVENTLOG2_FIFO2_ TIME	EVENTLOG2_FIFO2_TIME [31:16]																0000000h
		EVENTLOG2_FIFO2_TIME [15:0]																
R295564 (4828Ch)	EVENTLOG2_FIFO3_ READ	0	0	0	0	0	0	0	0	0	0	0	0	0	0	0	0	0000000h
		0	0	0	EVENTLO G2 FIFO3_ POL	0	0	EVENTLOG2_FIFO3_ID [9:0]										
R295566 (4828Eh)	EVENTLOG2_FIFO3_ TIME	EVENTLOG2_FIFO3_TIME [31:16]																0000000h
		EVENTLOG2_FIFO3_TIME [15:0]																
R295568 (48290h)	EVENTLOG2_FIFO4_ READ	0	0	0	0	0	0	0	0	0	0	0	0	0	0	0	0	0000000h
		0	0	0	EVENTLO G2 FIFO4_ POL	0	0	EVENTLOG2_FIFO4_ID [9:0]										
R295570 (48292h)	EVENTLOG2_FIFO4_ TIME	EVENTLOG2_FIFO4_TIME [31:16]																0000000h
		EVENTLOG2_FIFO4_TIME [15:0]																
R295572 (48294h)	EVENTLOG2_FIFO5_ READ	0	0	0	0	0	0	0	0	0	0	0	0	0	0	0	0	0000000h
		0	0	0	EVENTLO G2 FIFO5_ POL	0	0	EVENTLOG2_FIFO5_ID [9:0]										
R295574 (48296h)	EVENTLOG2_FIFO5_ TIME	EVENTLOG2_FIFO5_TIME [31:16]																0000000h
		EVENTLOG2_FIFO5_TIME [15:0]																
R295576 (48298h)	EVENTLOG2_FIFO6_ READ	0	0	0	0	0	0	0	0	0	0	0	0	0	0	0	0	0000000h
		0	0	0	EVENTLO G2 FIFO6_ POL	0	0	EVENTLOG2_FIFO6_ID [9:0]										
R295578 (4829Ah)	EVENTLOG2_FIFO6_ TIME	EVENTLOG2_FIFO6_TIME [31:16]																0000000h
		EVENTLOG2_FIFO6_TIME [15:0]																
R295580 (4829Ch)	EVENTLOG2_FIFO7_ READ	0	0	0	0	0	0	0	0	0	0	0	0	0	0	0	0	0000000h
		0	0	0	EVENTLO G2 FIFO7_ POL	0	0	EVENTLOG2_FIFO7_ID [9:0]										
R295582 (4829Eh)	EVENTLOG2_FIFO7_ TIME	EVENTLOG2_FIFO7_TIME [31:16]																0000000h
		EVENTLOG2_FIFO7_TIME [15:0]																
R295584 (482A0h)	EVENTLOG2_FIFO8_ READ	0	0	0	0	0	0	0	0	0	0	0	0	0	0	0	0	0000000h
		0	0	0	EVENTLO G2 FIFO8_ POL	0	0	EVENTLOG2_FIFO8_ID [9:0]										
R295586 (482A2h)	EVENTLOG2_FIFO8_ TIME	EVENTLOG2_FIFO8_TIME [31:16]																0000000h
		EVENTLOG2_FIFO8_TIME [15:0]																
R295588 (482A4h)	EVENTLOG2_FIFO9_ READ	0	0	0	0	0	0	0	0	0	0	0	0	0	0	0	0	0000000h
		0	0	0	EVENTLO G2 FIFO9_ POL	0	0	EVENTLOG2_FIFO9_ID [9:0]										
R295590 (482A6h)	EVENTLOG2_FIFO9_ TIME	EVENTLOG2_FIFO9_TIME [31:16]																0000000h
		EVENTLOG2_FIFO9_TIME [15:0]																
R295592 (482A8h)	EVENTLOG2_FIFO10_ READ	0	0	0	0	0	0	0	0	0	0	0	0	0	0	0	0	0000000h
		0	0	0	EVENTLO G2 FIFO10_ POL	0	0	EVENTLOG2_FIFO10_ID [9:0]										
R295594 (482AAh)	EVENTLOG2_FIFO10_ TIME	EVENTLOG2_FIFO10_TIME [31:16]																0000000h
		EVENTLOG2_FIFO10_TIME [15:0]																
R295596 (482ACh)	EVENTLOG2_FIFO11_ READ	0	0	0	0	0	0	0	0	0	0	0	0	0	0	0	0	0000000h
		0	0	0	EVENTLO G2 FIFO11_ POL	0	0	EVENTLOG2_FIFO11_ID [9:0]										
R295598 (482AEh)	EVENTLOG2_FIFO11_ TIME	EVENTLOG2_FIFO11_TIME [31:16]																0000000h
		EVENTLOG2_FIFO11_TIME [15:0]																
R295600 (482B0h)	EVENTLOG2_FIFO12_ READ	0	0	0	0	0	0	0	0	0	0	0	0	0	0	0	0	0000000h
		0	0	0	EVENTLO G2 FIFO12_ POL	0	0	EVENTLOG2_FIFO12_ID [9:0]										
R295602 (482B2h)	EVENTLOG2_FIFO12_ TIME	EVENTLOG2_FIFO12_TIME [31:16]																0000000h
		EVENTLOG2_FIFO12_TIME [15:0]																

Table 6-2. Register Map Definition—32-bit region (Cont.)

Register	Name	31 15	30 14	29 13	28 12	27 11	26 10	25 9	24 8	23 7	22 6	21 5	20 4	19 3	18 2	17 1	16 0	Default
R295604 (482B4h)	EVENTLOG2_FIFO13_READ	0	0	0	0	0	0	0	0	0	0	0	0	0	0	0	0	0000000h
		0	0	0	EVENTLO G2 FIFO13_ POL	0	0	EVENTLOG2_FIFO13_ID [9:0]										
R295606 (482B6h)	EVENTLOG2_FIFO13_TIME	EVENTLOG2_FIFO13_TIME [31:16]																0000000h
		EVENTLOG2_FIFO13_TIME [15:0]																
R295608 (482B8h)	EVENTLOG2_FIFO14_READ	0	0	0	0	0	0	0	0	0	0	0	0	0	0	0	0	0000000h
		0	0	0	EVENTLO G2 FIFO14_ POL	0	0	EVENTLOG2_FIFO14_ID [9:0]										
R295610 (482BAh)	EVENTLOG2_FIFO14_TIME	EVENTLOG2_FIFO14_TIME [31:16]																0000000h
		EVENTLOG2_FIFO14_TIME [15:0]																
R295612 (482BCh)	EVENTLOG2_FIFO15_READ	0	0	0	0	0	0	0	0	0	0	0	0	0	0	0	0	0000000h
		0	0	0	EVENTLO G2 FIFO15_ POL	0	0	EVENTLOG2_FIFO15_ID [9:0]										
R295614 (482BEh)	EVENTLOG2_FIFO15_TIME	EVENTLOG2_FIFO15_TIME [31:16]																0000000h
		EVENTLOG2_FIFO15_TIME [15:0]																
R295940 (48404h)R2 95936 (48400h)	EVENTLOG3_TIMER_SEL	0	0	0	0	0	0	0	0	0	0	0	0	0	0	0	0	0000000h
		0	0	0	0	0	0	0	0	0	0	0	0	0	0	0	0	EVENTLOG3 TIMER_SEL [1:0]
R295948 (4840Ch)	EVENTLOG3_FIFO_CONTROL1	0	0	0	0	0	0	0	0	0	0	0	0	0	0	0	0	0000001h
		0	0	0	0	0	0	0	0	0	0	0	0	0	0	0	0	EVENTLOG3_FIFO_WMARK [3:0]
R295950 (4840Eh)	EVENTLOG3_FIFO_POINTER1	0	0	0	0	0	0	0	0	0	0	0	0	0	0	0	0	0000000h
		0	0	0	0	0	0	0	0	0	0	0	0	0	EVENTLOG3_FULL	EVENTLOG3_WMARK_STS	EVENTLOG3_NOT_EMPTY	
		0	0	0	0	EVENTLOG3_FIFO_WPTR [3:0]			0	0	0	0	0	EVENTLOG3_FIFO_RPTR [3:0]				
R295968 (48420h)	EVENTLOG3_CH_ENABLE1	0	0	0	0	0	0	0	0	0	0	0	0	0	0	0	0	0000000h
		EVENTLO G3_CH16_ ENA	EVENTLO G3_CH15_ ENA	EVENTLO G3_CH14_ ENA	EVENTLO G3_CH13_ ENA	EVENTLO G3_CH12_ ENA	EVENTLO G3_CH11_ ENA	EVENTLO G3_CH10_ ENA	EVENTLO G3_CH9_ ENA	EVENTLO G3_CH8_ ENA	EVENTLO G3_CH7_ ENA	EVENTLO G3_CH6_ ENA	EVENTLO G3_CH5_ ENA	EVENTLO G3_CH4_ ENA	EVENTLO G3_CH3_ ENA	EVENTLO G3_CH2_ ENA	EVENTLO G3_CH1_ ENA	
R296000 (48440h)	EVENTLOG3_CH1_DEFINE	0	0	0	0	0	0	0	0	0	0	0	0	0	0	0	0	0000000h
		EVENTLO G3_CH1_ DB	EVENTLO G3_CH1_ POL	0	0	0	0	EVENTLOG3_CH1_SEL [9:0]										
R296002 (48442h)	EVENTLOG3_CH2_DEFINE	0	0	0	0	0	0	0	0	0	0	0	0	0	0	0	0	0000000h
		EVENTLO G3_CH2_ DB	EVENTLO G3_CH2_ POL	0	0	0	0	EVENTLOG3_CH2_SEL [9:0]										
R296004 (48444h)	EVENTLOG3_CH3_DEFINE	0	0	0	0	0	0	0	0	0	0	0	0	0	0	0	0	0000000h
		EVENTLO G3_CH3_ DB	EVENTLO G3_CH3_ POL	0	0	0	0	EVENTLOG3_CH3_SEL [9:0]										
R296006 (48446h)	EVENTLOG3_CH4_DEFINE	0	0	0	0	0	0	0	0	0	0	0	0	0	0	0	0	0000000h
		EVENTLO G3_CH4_ DB	EVENTLO G3_CH4_ POL	0	0	0	0	EVENTLOG3_CH4_SEL [9:0]										
R296008 (48448h)	EVENTLOG3_CH5_DEFINE	0	0	0	0	0	0	0	0	0	0	0	0	0	0	0	0	0000000h
		EVENTLO G3_CH5_ DB	EVENTLO G3_CH5_ POL	0	0	0	0	EVENTLOG3_CH5_SEL [9:0]										
R296010 (4844Ah)	EVENTLOG3_CH6_DEFINE	0	0	0	0	0	0	0	0	0	0	0	0	0	0	0	0	0000000h
		EVENTLO G3_CH6_ DB	EVENTLO G3_CH6_ POL	0	0	0	0	EVENTLOG3_CH6_SEL [9:0]										
R296012 (4844Ch)	EVENTLOG3_CH7_DEFINE	0	0	0	0	0	0	0	0	0	0	0	0	0	0	0	0	0000000h
		EVENTLO G3_CH7_ DB	EVENTLO G3_CH7_ POL	0	0	0	0	EVENTLOG3_CH7_SEL [9:0]										
R296014 (4844Eh)	EVENTLOG3_CH8_DEFINE	0	0	0	0	0	0	0	0	0	0	0	0	0	0	0	0	0000000h
		EVENTLO G3_CH8_ DB	EVENTLO G3_CH8_ POL	0	0	0	0	EVENTLOG3_CH8_SEL [9:0]										
R296016 (48450h)	EVENTLOG3_CH9_DEFINE	0	0	0	0	0	0	0	0	0	0	0	0	0	0	0	0	0000000h
		EVENTLO G3_CH9_ DB	EVENTLO G3_CH9_ POL	0	0	0	0	EVENTLOG3_CH9_SEL [9:0]										
R296018 (48452h)	EVENTLOG3_CH10_DEFINE	0	0	0	0	0	0	0	0	0	0	0	0	0	0	0	0	0000000h
		EVENTLO G3_CH10_ DB	EVENTLO G3_CH10_ POL	0	0	0	0	EVENTLOG3_CH10_SEL [9:0]										
R296020 (48454h)	EVENTLOG3_CH11_DEFINE	0	0	0	0	0	0	0	0	0	0	0	0	0	0	0	0	0000000h
		EVENTLO G3_CH11_ DB	EVENTLO G3_CH11_ POL	0	0	0	0	EVENTLOG3_CH11_SEL [9:0]										
R296022 (48456h)	EVENTLOG3_CH12_DEFINE	0	0	0	0	0	0	0	0	0	0	0	0	0	0	0	0	0000000h
		EVENTLO G3_CH12_ DB	EVENTLO G3_CH12_ POL	0	0	0	0	EVENTLOG3_CH12_SEL [9:0]										

Table 6-2. Register Map Definition—32-bit region (Cont.)

Register	Name	31 15	30 14	29 13	28 12	27 11	26 10	25 9	24 8	23 7	22 6	21 5	20 4	19 3	18 2	17 1	16 0	Default
R296024 (48458h)	EVENTLOG3_CH13_ DEFINE	0	0	0	0	0	0	0	0	0	0	0	0	0	0	0	0	0000000h
		EVENTLO G3_CH13_ DB	EVENTLO G3_CH13_ POL	0	0	0	0	EVENTLOG3_CH13_SEL [9:0]										
R296026 (4845Ah)	EVENTLOG3_CH14_ DEFINE	0	0	0	0	0	0	0	0	0	0	0	0	0	0	0	0	0000000h
		EVENTLO G3_CH14_ DB	EVENTLO G3_CH14_ POL	0	0	0	0	EVENTLOG3_CH14_SEL [9:0]										
R296028 (4845Ch)	EVENTLOG3_CH15_ DEFINE	0	0	0	0	0	0	0	0	0	0	0	0	0	0	0	0	0000000h
		EVENTLO G3_CH15_ DB	EVENTLO G3_CH15_ POL	0	0	0	0	EVENTLOG3_CH15_SEL [9:0]										
R296030 (4845Eh)	EVENTLOG3_CH16_ DEFINE	0	0	0	0	0	0	0	0	0	0	0	0	0	0	0	0	0000000h
		EVENTLO G3_CH16_ DB	EVENTLO G3_CH16_ POL	0	0	0	0	EVENTLOG3_CH16_SEL [9:0]										
R296064 (48480h)	EVENTLOG3_FIFO0_ READ	0	0	0	0	0	0	0	0	0	0	0	0	0	0	0	0	0000000h
		0	0	0	EVENTLO G3 FIFO0_ POL	0	0	EVENTLOG3_FIFO0_ID [9:0]										
R296066 (48482h)	EVENTLOG3_FIFO0_ TIME	EVENTLOG3_FIFO0_TIME [31:16]																0000000h
		EVENTLOG3_FIFO0_TIME [15:0]																
R296068 (48484h)	EVENTLOG3_FIFO1_ READ	0	0	0	0	0	0	0	0	0	0	0	0	0	0	0	0	0000000h
		0	0	0	EVENTLO G3 FIFO1_ POL	0	0	EVENTLOG3_FIFO1_ID [9:0]										
R296070 (48486h)	EVENTLOG3_FIFO1_ TIME	EVENTLOG3_FIFO1_TIME [31:16]																0000000h
		EVENTLOG3_FIFO1_TIME [15:0]																
R296072 (48488h)	EVENTLOG3_FIFO2_ READ	0	0	0	0	0	0	0	0	0	0	0	0	0	0	0	0	0000000h
		0	0	0	EVENTLO G3 FIFO2_ POL	0	0	EVENTLOG3_FIFO2_ID [9:0]										
R296074 (4848Ah)	EVENTLOG3_FIFO2_ TIME	EVENTLOG3_FIFO2_TIME [31:16]																0000000h
		EVENTLOG3_FIFO2_TIME [15:0]																
R296076 (4848Ch)	EVENTLOG3_FIFO3_ READ	0	0	0	0	0	0	0	0	0	0	0	0	0	0	0	0	0000000h
		0	0	0	EVENTLO G3 FIFO3_ POL	0	0	EVENTLOG3_FIFO3_ID [9:0]										
R296078 (4848Eh)	EVENTLOG3_FIFO3_ TIME	EVENTLOG3_FIFO3_TIME [31:16]																0000000h
		EVENTLOG3_FIFO3_TIME [15:0]																
R296080 (48490h)	EVENTLOG3_FIFO4_ READ	0	0	0	0	0	0	0	0	0	0	0	0	0	0	0	0	0000000h
		0	0	0	EVENTLO G3 FIFO4_ POL	0	0	EVENTLOG3_FIFO4_ID [9:0]										
R296082 (48492h)	EVENTLOG3_FIFO4_ TIME	EVENTLOG3_FIFO4_TIME [31:16]																0000000h
		EVENTLOG3_FIFO4_TIME [15:0]																
R296084 (48494h)	EVENTLOG3_FIFO5_ READ	0	0	0	0	0	0	0	0	0	0	0	0	0	0	0	0	0000000h
		0	0	0	EVENTLO G3 FIFO5_ POL	0	0	EVENTLOG3_FIFO5_ID [9:0]										
R296086 (48496h)	EVENTLOG3_FIFO5_ TIME	EVENTLOG3_FIFO5_TIME [31:16]																0000000h
		EVENTLOG3_FIFO5_TIME [15:0]																
R296088 (48498h)	EVENTLOG3_FIFO6_ READ	0	0	0	0	0	0	0	0	0	0	0	0	0	0	0	0	0000000h
		0	0	0	EVENTLO G3 FIFO6_ POL	0	0	EVENTLOG3_FIFO6_ID [9:0]										
R296090 (4849Ah)	EVENTLOG3_FIFO6_ TIME	EVENTLOG3_FIFO6_TIME [31:16]																0000000h
		EVENTLOG3_FIFO6_TIME [15:0]																
R296092 (4849Ch)	EVENTLOG3_FIFO7_ READ	0	0	0	0	0	0	0	0	0	0	0	0	0	0	0	0	0000000h
		0	0	0	EVENTLO G3 FIFO7_ POL	0	0	EVENTLOG3_FIFO7_ID [9:0]										
R296094 (4849Eh)	EVENTLOG3_FIFO7_ TIME	EVENTLOG3_FIFO7_TIME [31:16]																0000000h
		EVENTLOG3_FIFO7_TIME [15:0]																
R296096 (484A0h)	EVENTLOG3_FIFO8_ READ	0	0	0	0	0	0	0	0	0	0	0	0	0	0	0	0	0000000h
		0	0	0	EVENTLO G3 FIFO8_ POL	0	0	EVENTLOG3_FIFO8_ID [9:0]										
R296098 (484A2h)	EVENTLOG3_FIFO8_ TIME	EVENTLOG3_FIFO8_TIME [31:16]																0000000h
		EVENTLOG3_FIFO8_TIME [15:0]																
R296100 (484A4h)	EVENTLOG3_FIFO9_ READ	0	0	0	0	0	0	0	0	0	0	0	0	0	0	0	0	0000000h
		0	0	0	EVENTLO G3 FIFO9_ POL	0	0	EVENTLOG3_FIFO9_ID [9:0]										

Table 6-2. Register Map Definition—32-bit region (Cont.)

Register	Name	31 15	30 14	29 13	28 12	27 11	26 10	25 9	24 8	23 7	22 6	21 5	20 4	19 3	18 2	17 1	16 0	Default	
R296102 (484A6h)	EVENTLOG3_FIFO9_ TIME	EVENTLOG3_FIFO9_TIME [31:16]																00000000h	
		EVENTLOG3_FIFO9_TIME [15:0]																	
R296104 (484A8h)	EVENTLOG3_FIFO10_ READ	0	0	0	0	0	0	0	0	0	0	0	0	0	0	0	0	EVENTLOG3_FIFO10_ID [9:0]	00000000h
		0	0	0	EVENTLOG3_FIFO10_POL	0	0												
R296106 (484AAh)	EVENTLOG3_FIFO10_ TIME	EVENTLOG3_FIFO10_TIME [31:16]																00000000h	
		EVENTLOG3_FIFO10_TIME [15:0]																	
R296108 (484ACh)	EVENTLOG3_FIFO11_ READ	0	0	0	0	0	0	0	0	0	0	0	0	0	0	0	0	EVENTLOG3_FIFO11_ID [9:0]	00000000h
		0	0	0	EVENTLOG3_FIFO11_POL	0	0												
R296110 (484AEh)	EVENTLOG3_FIFO11_ TIME	EVENTLOG3_FIFO11_TIME [31:16]																00000000h	
		EVENTLOG3_FIFO11_TIME [15:0]																	
R296112 (484B0h)	EVENTLOG3_FIFO12_ READ	0	0	0	0	0	0	0	0	0	0	0	0	0	0	0	0	EVENTLOG3_FIFO12_ID [9:0]	00000000h
		0	0	0	EVENTLOG3_FIFO12_POL	0	0												
R296114 (484B2h)	EVENTLOG3_FIFO12_ TIME	EVENTLOG3_FIFO12_TIME [31:16]																00000000h	
		EVENTLOG3_FIFO12_TIME [15:0]																	
R296116 (484B4h)	EVENTLOG3_FIFO13_ READ	0	0	0	0	0	0	0	0	0	0	0	0	0	0	0	0	EVENTLOG3_FIFO13_ID [9:0]	00000000h
		0	0	0	EVENTLOG3_FIFO13_POL	0	0												
R296118 (484B6h)	EVENTLOG3_FIFO13_ TIME	EVENTLOG3_FIFO13_TIME [31:16]																00000000h	
		EVENTLOG3_FIFO13_TIME [15:0]																	
R296120 (484B8h)	EVENTLOG3_FIFO14_ READ	0	0	0	0	0	0	0	0	0	0	0	0	0	0	0	0	EVENTLOG3_FIFO14_ID [9:0]	00000000h
		0	0	0	EVENTLOG3_FIFO14_POL	0	0												
R296122 (484BAh)	EVENTLOG3_FIFO14_ TIME	EVENTLOG3_FIFO14_TIME [31:16]																00000000h	
		EVENTLOG3_FIFO14_TIME [15:0]																	
R296124 (484BCh)	EVENTLOG3_FIFO15_ READ	0	0	0	0	0	0	0	0	0	0	0	0	0	0	0	0	EVENTLOG3_FIFO15_ID [9:0]	00000000h
		0	0	0	EVENTLOG3_FIFO15_POL	0	0												
R296126 (484BEh)	EVENTLOG3_FIFO15_ TIME	EVENTLOG3_FIFO15_TIME [31:16]																00000000h	
		EVENTLOG3_FIFO15_TIME [15:0]																	
R296452 (48604h)R2 96448 (48600h)	EVENTLOG4_TIMER_ SEL	0	0	0	0	0	0	0	0	0	0	0	0	0	0	0	0	EVENTLOG4_TIMER_SEL [1:0]	00000000h
		0	0	0	0	0	0	0	0	0	0	0	0	0	0	0	0		
R296460 (4860Ch)	EVENTLOG4_FIFO_ CONTROL1	0	0	0	0	0	0	0	0	0	0	0	0	0	0	0	0	EVENTLOG4_FIFO_WMARK [3:0]	00000011h
		0	0	0	0	0	0	0	0	0	0	0	0	0	0	0	0		
R296462 (4860Eh)	EVENTLOG4_FIFO_ POINTER1	0	0	0	0	0	0	0	0	0	0	0	0	0	0	0	0	EVENTLOG4_FULL EVENTLOG4_WMARK_STS EVENTLOG4_NOT_EMPTY	00000000h
		0	0	0	0	EVENTLOG4_FIFO_WPTR [3:0]			0	0	0	0	EVENTLOG4_FIFO_RPTR [3:0]			0	0	0	
R296480 (48620h)	EVENTLOG4_CH_ ENABLE1	0	0	0	0	0	0	0	0	0	0	0	0	0	0	0	0	EVENTLOG4_CH1_ENA EVENTLOG4_CH15_ENA EVENTLOG4_CH14_ENA EVENTLOG4_CH13_ENA EVENTLOG4_CH12_ENA EVENTLOG4_CH11_ENA EVENTLOG4_CH10_ENA EVENTLOG4_CH9_ENA EVENTLOG4_CH8_ENA EVENTLOG4_CH7_ENA EVENTLOG4_CH6_ENA EVENTLOG4_CH5_ENA EVENTLOG4_CH4_ENA EVENTLOG4_CH3_ENA EVENTLOG4_CH2_ENA EVENTLOG4_CH1_ENA	00000000h
		0	0	0	0	0	0	0	0	0	0	0	0	0	0	0	0		
R296512 (48640h)	EVENTLOG4_CH1_ DEFINE	0	0	0	0	0	0	EVENTLOG4_CH1_SEL [9:0]								0	0	0	00000000h
		EVENTLOG4_CH1_DB	EVENTLOG4_CH1_POL	0	0	0	0									0	0	0	
R296514 (48642h)	EVENTLOG4_CH2_ DEFINE	0	0	0	0	0	0	EVENTLOG4_CH2_SEL [9:0]								0	0	0	00000000h
		EVENTLOG4_CH2_DB	EVENTLOG4_CH2_POL	0	0	0	0									0	0	0	
R296516 (48644h)	EVENTLOG4_CH3_ DEFINE	0	0	0	0	0	0	EVENTLOG4_CH3_SEL [9:0]								0	0	0	00000000h
		EVENTLOG4_CH3_DB	EVENTLOG4_CH3_POL	0	0	0	0									0	0	0	
R296518 (48646h)	EVENTLOG4_CH4_ DEFINE	0	0	0	0	0	0	EVENTLOG4_CH4_SEL [9:0]								0	0	0	00000000h
		EVENTLOG4_CH4_DB	EVENTLOG4_CH4_POL	0	0	0	0									0	0	0	
R296520 (48648h)	EVENTLOG4_CH5_ DEFINE	0	0	0	0	0	0	EVENTLOG4_CH5_SEL [9:0]								0	0	0	00000000h
		EVENTLOG4_CH5_DB	EVENTLOG4_CH5_POL	0	0	0	0									0	0	0	
R296522 (4864Ah)	EVENTLOG4_CH6_ DEFINE	0	0	0	0	0	0	EVENTLOG4_CH6_SEL [9:0]								0	0	0	00000000h
		EVENTLOG4_CH6_DB	EVENTLOG4_CH6_POL	0	0	0	0									0	0	0	

Table 6-2. Register Map Definition—32-bit region (Cont.)

Register	Name	31 15	30 14	29 13	28 12	27 11	26 10	25 9	24 8	23 7	22 6	21 5	20 4	19 3	18 2	17 1	16 0	Default
R296524 (4864Ch)	EVENTLOG4_CH7_ DEFINE	0	0	0	0	0	0	0	0	0	0	0	0	0	0	0	0	0000000h
		EVENTLO G4_CH7_ DB	EVENTLO G4_CH7_ POL	0	0	0	0	EVENTLOG4_CH7_SEL [9:0]										
R296526 (4864Eh)	EVENTLOG4_CH8_ DEFINE	0	0	0	0	0	0	0	0	0	0	0	0	0	0	0	0	0000000h
		EVENTLO G4_CH8_ DB	EVENTLO G4_CH8_ POL	0	0	0	0	EVENTLOG4_CH8_SEL [9:0]										
R296528 (48650h)	EVENTLOG4_CH9_ DEFINE	0	0	0	0	0	0	0	0	0	0	0	0	0	0	0	0	0000000h
		EVENTLO G4_CH9_ DB	EVENTLO G4_CH9_ POL	0	0	0	0	EVENTLOG4_CH9_SEL [9:0]										
R296530 (48652h)	EVENTLOG4_CH10_ DEFINE	0	0	0	0	0	0	0	0	0	0	0	0	0	0	0	0	0000000h
		EVENTLO G4_CH10_ DB	EVENTLO G4_CH10_ POL	0	0	0	0	EVENTLOG4_CH10_SEL [9:0]										
R296532 (48654h)	EVENTLOG4_CH11_ DEFINE	0	0	0	0	0	0	0	0	0	0	0	0	0	0	0	0	0000000h
		EVENTLO G4_CH11_ DB	EVENTLO G4_CH11_ POL	0	0	0	0	EVENTLOG4_CH11_SEL [9:0]										
R296534 (48656h)	EVENTLOG4_CH12_ DEFINE	0	0	0	0	0	0	0	0	0	0	0	0	0	0	0	0	0000000h
		EVENTLO G4_CH12_ DB	EVENTLO G4_CH12_ POL	0	0	0	0	EVENTLOG4_CH12_SEL [9:0]										
R296536 (48658h)	EVENTLOG4_CH13_ DEFINE	0	0	0	0	0	0	0	0	0	0	0	0	0	0	0	0	0000000h
		EVENTLO G4_CH13_ DB	EVENTLO G4_CH13_ POL	0	0	0	0	EVENTLOG4_CH13_SEL [9:0]										
R296538 (4865Ah)	EVENTLOG4_CH14_ DEFINE	0	0	0	0	0	0	0	0	0	0	0	0	0	0	0	0	0000000h
		EVENTLO G4_CH14_ DB	EVENTLO G4_CH14_ POL	0	0	0	0	EVENTLOG4_CH14_SEL [9:0]										
R296540 (4865Ch)	EVENTLOG4_CH15_ DEFINE	0	0	0	0	0	0	0	0	0	0	0	0	0	0	0	0	0000000h
		EVENTLO G4_CH15_ DB	EVENTLO G4_CH15_ POL	0	0	0	0	EVENTLOG4_CH15_SEL [9:0]										
R296542 (4865Eh)	EVENTLOG4_CH16_ DEFINE	0	0	0	0	0	0	0	0	0	0	0	0	0	0	0	0	0000000h
		EVENTLO G4_CH16_ DB	EVENTLO G4_CH16_ POL	0	0	0	0	EVENTLOG4_CH16_SEL [9:0]										
R296576 (48680h)	EVENTLOG4_FIFO0_ READ	0	0	0	0	0	0	0	0	0	0	0	0	0	0	0	0	0000000h
		0	0	0	EVENTLO G4 FIFO0_ POL	0	0	EVENTLOG4_FIFO0_ID [9:0]										
R296578 (48682h)	EVENTLOG4_FIFO0_ TIME	EVENTLOG4_FIFO0_TIME [31:16]																0000000h
		EVENTLOG4_FIFO0_TIME [15:0]																
R296580 (48684h)	EVENTLOG4_FIFO1_ READ	0	0	0	0	0	0	0	0	0	0	0	0	0	0	0	0	0000000h
		0	0	0	EVENTLO G4 FIFO1_ POL	0	0	EVENTLOG4_FIFO1_ID [9:0]										
R296582 (48686h)	EVENTLOG4_FIFO1_ TIME	EVENTLOG4_FIFO1_TIME [31:16]																0000000h
		EVENTLOG4_FIFO1_TIME [15:0]																
R296584 (48688h)	EVENTLOG4_FIFO2_ READ	0	0	0	0	0	0	0	0	0	0	0	0	0	0	0	0	0000000h
		0	0	0	EVENTLO G4 FIFO2_ POL	0	0	EVENTLOG4_FIFO2_ID [9:0]										
R296586 (4868Ah)	EVENTLOG4_FIFO2_ TIME	EVENTLOG4_FIFO2_TIME [31:16]																0000000h
		EVENTLOG4_FIFO2_TIME [15:0]																
R296588 (4868Ch)	EVENTLOG4_FIFO3_ READ	0	0	0	0	0	0	0	0	0	0	0	0	0	0	0	0	0000000h
		0	0	0	EVENTLO G4 FIFO3_ POL	0	0	EVENTLOG4_FIFO3_ID [9:0]										
R296590 (4868Eh)	EVENTLOG4_FIFO3_ TIME	EVENTLOG4_FIFO3_TIME [31:16]																0000000h
		EVENTLOG4_FIFO3_TIME [15:0]																
R296592 (48690h)	EVENTLOG4_FIFO4_ READ	0	0	0	0	0	0	0	0	0	0	0	0	0	0	0	0	0000000h
		0	0	0	EVENTLO G4 FIFO4_ POL	0	0	EVENTLOG4_FIFO4_ID [9:0]										
R296594 (48692h)	EVENTLOG4_FIFO4_ TIME	EVENTLOG4_FIFO4_TIME [31:16]																0000000h
		EVENTLOG4_FIFO4_TIME [15:0]																
R296596 (48694h)	EVENTLOG4_FIFO5_ READ	0	0	0	0	0	0	0	0	0	0	0	0	0	0	0	0	0000000h
		0	0	0	EVENTLO G4 FIFO5_ POL	0	0	EVENTLOG4_FIFO5_ID [9:0]										
R296598 (48696h)	EVENTLOG4_FIFO5_ TIME	EVENTLOG4_FIFO5_TIME [31:16]																0000000h
		EVENTLOG4_FIFO5_TIME [15:0]																

Table 6-2. Register Map Definition—32-bit region (Cont.)

Register	Name	31 15	30 14	29 13	28 12	27 11	26 10	25 9	24 8	23 7	22 6	21 5	20 4	19 3	18 2	17 1	16 0	Default
R296600 (48698h)	EVENTLOG4_FIFO6_ READ	0	0	0	0	0	0	0	0	0	0	0	0	0	0	0	0	0000000h
		0	0	0	EVENTLO G4 FIFO6_ POL	0	0	EVENTLOG4_FIFO6_ID [9:0]										
R296602 (4869Ah)	EVENTLOG4_FIFO6_ TIME	EVENTLOG4_FIFO6_TIME [31:16]																0000000h
		EVENTLOG4_FIFO6_TIME [15:0]																
R296604 (4869Ch)	EVENTLOG4_FIFO7_ READ	0	0	0	0	0	0	0	0	0	0	0	0	0	0	0	0	0000000h
		0	0	0	EVENTLO G4 FIFO7_ POL	0	0	EVENTLOG4_FIFO7_ID [9:0]										
R296606 (4869Eh)	EVENTLOG4_FIFO7_ TIME	EVENTLOG4_FIFO7_TIME [31:16]																0000000h
		EVENTLOG4_FIFO7_TIME [15:0]																
R296608 (486A0h)	EVENTLOG4_FIFO8_ READ	0	0	0	0	0	0	0	0	0	0	0	0	0	0	0	0	0000000h
		0	0	0	EVENTLO G4 FIFO8_ POL	0	0	EVENTLOG4_FIFO8_ID [9:0]										
R296610 (486A2h)	EVENTLOG4_FIFO8_ TIME	EVENTLOG4_FIFO8_TIME [31:16]																0000000h
		EVENTLOG4_FIFO8_TIME [15:0]																
R296612 (486A4h)	EVENTLOG4_FIFO9_ READ	0	0	0	0	0	0	0	0	0	0	0	0	0	0	0	0	0000000h
		0	0	0	EVENTLO G4 FIFO9_ POL	0	0	EVENTLOG4_FIFO9_ID [9:0]										
R296614 (486A6h)	EVENTLOG4_FIFO9_ TIME	EVENTLOG4_FIFO9_TIME [31:16]																0000000h
		EVENTLOG4_FIFO9_TIME [15:0]																
R296616 (486A8h)	EVENTLOG4_FIFO10_ READ	0	0	0	0	0	0	0	0	0	0	0	0	0	0	0	0	0000000h
		0	0	0	EVENTLO G4 FIFO10_ POL	0	0	EVENTLOG4_FIFO10_ID [9:0]										
R296618 (486AAh)	EVENTLOG4_FIFO10_ TIME	EVENTLOG4_FIFO10_TIME [31:16]																0000000h
		EVENTLOG4_FIFO10_TIME [15:0]																
R296620 (486ACh)	EVENTLOG4_FIFO11_ READ	0	0	0	0	0	0	0	0	0	0	0	0	0	0	0	0	0000000h
		0	0	0	EVENTLO G4 FIFO11_ POL	0	0	EVENTLOG4_FIFO11_ID [9:0]										
R296622 (486AEh)	EVENTLOG4_FIFO11_ TIME	EVENTLOG4_FIFO11_TIME [31:16]																0000000h
		EVENTLOG4_FIFO11_TIME [15:0]																
R296624 (486B0h)	EVENTLOG4_FIFO12_ READ	0	0	0	0	0	0	0	0	0	0	0	0	0	0	0	0	0000000h
		0	0	0	EVENTLO G4 FIFO12_ POL	0	0	EVENTLOG4_FIFO12_ID [9:0]										
R296626 (486B2h)	EVENTLOG4_FIFO12_ TIME	EVENTLOG4_FIFO12_TIME [31:16]																0000000h
		EVENTLOG4_FIFO12_TIME [15:0]																
R296628 (486B4h)	EVENTLOG4_FIFO13_ READ	0	0	0	0	0	0	0	0	0	0	0	0	0	0	0	0	0000000h
		0	0	0	EVENTLO G4 FIFO13_ POL	0	0	EVENTLOG4_FIFO13_ID [9:0]										
R296630 (486B6h)	EVENTLOG4_FIFO13_ TIME	EVENTLOG4_FIFO13_TIME [31:16]																0000000h
		EVENTLOG4_FIFO13_TIME [15:0]																
R296632 (486B8h)	EVENTLOG4_FIFO14_ READ	0	0	0	0	0	0	0	0	0	0	0	0	0	0	0	0	0000000h
		0	0	0	EVENTLO G4 FIFO14_ POL	0	0	EVENTLOG4_FIFO14_ID [9:0]										
R296634 (486BAh)	EVENTLOG4_FIFO14_ TIME	EVENTLOG4_FIFO14_TIME [31:16]																0000000h
		EVENTLOG4_FIFO14_TIME [15:0]																
R296636 (486BCh)	EVENTLOG4_FIFO15_ READ	0	0	0	0	0	0	0	0	0	0	0	0	0	0	0	0	0000000h
		0	0	0	EVENTLO G4 FIFO15_ POL	0	0	EVENTLOG4_FIFO15_ID [9:0]										
R296638 (486BEh)	EVENTLOG4_FIFO15_ TIME	EVENTLOG4_FIFO15_TIME [31:16]																0000000h
		EVENTLOG4_FIFO15_TIME [15:0]																
R296964 (48804h)R2 96960 (48800h)	EVENTLOG5_TIMER_ SEL	0	0	0	0	0	0	0	0	0	0	0	0	0	0	0	0	0000000h
		0	0	0	0	0	0	0	0	0	0	0	0	0	0	0	EVENTLOG5 TIMER_SEL [1:0]	
R296972 (4880Ch)	EVENTLOG5_FIFO_ CONTROL1	0	0	0	0	0	0	0	0	0	0	0	0	0	0	0	0	0000001h
		0	0	0	0	0	0	0	0	0	0	0	0	EVENTLOG5_FIFO_WMARK [3:0]				
R296974 (4880Eh)	EVENTLOG5_FIFO_ POINTER1	0	0	0	0	0	0	0	0	0	0	0	0	0	0	0	0	0000000h
		0	0	0	0	0	0	0	0	0	0	0	0	EVENTLO G5_FULL	EVENTLO G5 WMARK_ STS	EVENTLO G5 NOT EMPTY		
		0	0	0	0	EVENTLOG5_FIFO_WPTR [3:0]			0	0	0	0	EVENTLOG5_FIFO_RPTR [3:0]					

Table 6-2. Register Map Definition—32-bit region (Cont.)

Register	Name	31 15	30 14	29 13	28 12	27 11	26 10	25 9	24 8	23 7	22 6	21 5	20 4	19 3	18 2	17 1	16 0	Default
R296992 (48820h)	EVENTLOG5_CH_ENABLE1	0	0	0	0	0	0	0	0	0	0	0	0	0	0	0	0	0000000h
		EVENTLOG5_CH16_ENA	EVENTLOG5_CH15_ENA	EVENTLOG5_CH14_ENA	EVENTLOG5_CH13_ENA	EVENTLOG5_CH12_ENA	EVENTLOG5_CH11_ENA	EVENTLOG5_CH10_ENA	EVENTLOG5_CH9_ENA	EVENTLOG5_CH8_ENA	EVENTLOG5_CH7_ENA	EVENTLOG5_CH6_ENA	EVENTLOG5_CH5_ENA	EVENTLOG5_CH4_ENA	EVENTLOG5_CH3_ENA	EVENTLOG5_CH2_ENA	EVENTLOG5_CH1_ENA	
R297024 (48840h)	EVENTLOG5_CH1_DEFINE	0	0	0	0	0	0	EVENTLOG5_CH1_SEL [9:0]										0000000h
		EVENTLOG5_CH1_DB	EVENTLOG5_CH1_POL															
R297026 (48842h)	EVENTLOG5_CH2_DEFINE	0	0	0	0	0	0	EVENTLOG5_CH2_SEL [9:0]										0000000h
		EVENTLOG5_CH2_DB	EVENTLOG5_CH2_POL															
R297028 (48844h)	EVENTLOG5_CH3_DEFINE	0	0	0	0	0	0	EVENTLOG5_CH3_SEL [9:0]										0000000h
		EVENTLOG5_CH3_DB	EVENTLOG5_CH3_POL															
R297030 (48846h)	EVENTLOG5_CH4_DEFINE	0	0	0	0	0	0	EVENTLOG5_CH4_SEL [9:0]										0000000h
		EVENTLOG5_CH4_DB	EVENTLOG5_CH4_POL															
R297032 (48848h)	EVENTLOG5_CH5_DEFINE	0	0	0	0	0	0	EVENTLOG5_CH5_SEL [9:0]										0000000h
		EVENTLOG5_CH5_DB	EVENTLOG5_CH5_POL															
R297034 (4884Ah)	EVENTLOG5_CH6_DEFINE	0	0	0	0	0	0	EVENTLOG5_CH6_SEL [9:0]										0000000h
		EVENTLOG5_CH6_DB	EVENTLOG5_CH6_POL															
R297036 (4884Ch)	EVENTLOG5_CH7_DEFINE	0	0	0	0	0	0	EVENTLOG5_CH7_SEL [9:0]										0000000h
		EVENTLOG5_CH7_DB	EVENTLOG5_CH7_POL															
R297038 (4884Eh)	EVENTLOG5_CH8_DEFINE	0	0	0	0	0	0	EVENTLOG5_CH8_SEL [9:0]										0000000h
		EVENTLOG5_CH8_DB	EVENTLOG5_CH8_POL															
R297040 (48850h)	EVENTLOG5_CH9_DEFINE	0	0	0	0	0	0	EVENTLOG5_CH9_SEL [9:0]										0000000h
		EVENTLOG5_CH9_DB	EVENTLOG5_CH9_POL															
R297042 (48852h)	EVENTLOG5_CH10_DEFINE	0	0	0	0	0	0	EVENTLOG5_CH10_SEL [9:0]										0000000h
		EVENTLOG5_CH10_DB	EVENTLOG5_CH10_POL															
R297044 (48854h)	EVENTLOG5_CH11_DEFINE	0	0	0	0	0	0	EVENTLOG5_CH11_SEL [9:0]										0000000h
		EVENTLOG5_CH11_DB	EVENTLOG5_CH11_POL															
R297046 (48856h)	EVENTLOG5_CH12_DEFINE	0	0	0	0	0	0	EVENTLOG5_CH12_SEL [9:0]										0000000h
		EVENTLOG5_CH12_DB	EVENTLOG5_CH12_POL															
R297048 (48858h)	EVENTLOG5_CH13_DEFINE	0	0	0	0	0	0	EVENTLOG5_CH13_SEL [9:0]										0000000h
		EVENTLOG5_CH13_DB	EVENTLOG5_CH13_POL															
R297050 (4885Ah)	EVENTLOG5_CH14_DEFINE	0	0	0	0	0	0	EVENTLOG5_CH14_SEL [9:0]										0000000h
		EVENTLOG5_CH14_DB	EVENTLOG5_CH14_POL															
R297052 (4885Ch)	EVENTLOG5_CH15_DEFINE	0	0	0	0	0	0	EVENTLOG5_CH15_SEL [9:0]										0000000h
		EVENTLOG5_CH15_DB	EVENTLOG5_CH15_POL															
R297054 (4885Eh)	EVENTLOG5_CH16_DEFINE	0	0	0	0	0	0	EVENTLOG5_CH16_SEL [9:0]										0000000h
		EVENTLOG5_CH16_DB	EVENTLOG5_CH16_POL															
R297088 (48880h)	EVENTLOG5_FIFO0_READ	0	0	0	0	0	0	EVENTLOG5_FIFO0_ID [9:0]										0000000h
					EVENTLOG5_FIFO0_POL													
R297090 (48882h)	EVENTLOG5_FIFO0_TIME	EVENTLOG5_FIFO0_TIME [31:16]																0000000h
		EVENTLOG5_FIFO0_TIME [15:0]																
R297092 (48884h)	EVENTLOG5_FIFO1_READ	0	0	0	0	0	0	EVENTLOG5_FIFO1_ID [9:0]										0000000h
					EVENTLOG5_FIFO1_POL													
R297094 (48886h)	EVENTLOG5_FIFO1_TIME	EVENTLOG5_FIFO1_TIME [31:16]																0000000h
		EVENTLOG5_FIFO1_TIME [15:0]																

Table 6-2. Register Map Definition—32-bit region (Cont.)

Register	Name	31 15	30 14	29 13	28 12	27 11	26 10	25 9	24 8	23 7	22 6	21 5	20 4	19 3	18 2	17 1	16 0	Default
R297096 (48888h)	EVENTLOG5_FIFO2_ READ	0	0	0	0	0	0	0	0	0	0	0	0	0	0	0	0	0000000h
		0	0	0	EVENTLO G5 FIFO2_ POL	0	0	EVENTLOG5_FIFO2_ID [9:0]										
R297098 (4888Ah)	EVENTLOG5_FIFO2_ TIME	EVENTLOG5_FIFO2_TIME [31:16]																0000000h
		EVENTLOG5_FIFO2_TIME [15:0]																
R297100 (4888Ch)	EVENTLOG5_FIFO3_ READ	0	0	0	0	0	0	0	0	0	0	0	0	0	0	0	0	0000000h
		0	0	0	EVENTLO G5 FIFO3_ POL	0	0	EVENTLOG5_FIFO3_ID [9:0]										
R297102 (4888Eh)	EVENTLOG5_FIFO3_ TIME	EVENTLOG5_FIFO3_TIME [31:16]																0000000h
		EVENTLOG5_FIFO3_TIME [15:0]																
R297104 (48890h)	EVENTLOG5_FIFO4_ READ	0	0	0	0	0	0	0	0	0	0	0	0	0	0	0	0	0000000h
		0	0	0	EVENTLO G5 FIFO4_ POL	0	0	EVENTLOG5_FIFO4_ID [9:0]										
R297106 (48892h)	EVENTLOG5_FIFO4_ TIME	EVENTLOG5_FIFO4_TIME [31:16]																0000000h
		EVENTLOG5_FIFO4_TIME [15:0]																
R297108 (48894h)	EVENTLOG5_FIFO5_ READ	0	0	0	0	0	0	0	0	0	0	0	0	0	0	0	0	0000000h
		0	0	0	EVENTLO G5 FIFO5_ POL	0	0	EVENTLOG5_FIFO5_ID [9:0]										
R297110 (48896h)	EVENTLOG5_FIFO5_ TIME	EVENTLOG5_FIFO5_TIME [31:16]																0000000h
		EVENTLOG5_FIFO5_TIME [15:0]																
R297112 (48898h)	EVENTLOG5_FIFO6_ READ	0	0	0	0	0	0	0	0	0	0	0	0	0	0	0	0	0000000h
		0	0	0	EVENTLO G5 FIFO6_ POL	0	0	EVENTLOG5_FIFO6_ID [9:0]										
R297114 (4889Ah)	EVENTLOG5_FIFO6_ TIME	EVENTLOG5_FIFO6_TIME [31:16]																0000000h
		EVENTLOG5_FIFO6_TIME [15:0]																
R297116 (4889Ch)	EVENTLOG5_FIFO7_ READ	0	0	0	0	0	0	0	0	0	0	0	0	0	0	0	0	0000000h
		0	0	0	EVENTLO G5 FIFO7_ POL	0	0	EVENTLOG5_FIFO7_ID [9:0]										
R297118 (4889Eh)	EVENTLOG5_FIFO7_ TIME	EVENTLOG5_FIFO7_TIME [31:16]																0000000h
		EVENTLOG5_FIFO7_TIME [15:0]																
R297120 (488A0h)	EVENTLOG5_FIFO8_ READ	0	0	0	0	0	0	0	0	0	0	0	0	0	0	0	0	0000000h
		0	0	0	EVENTLO G5 FIFO8_ POL	0	0	EVENTLOG5_FIFO8_ID [9:0]										
R297122 (488A2h)	EVENTLOG5_FIFO8_ TIME	EVENTLOG5_FIFO8_TIME [31:16]																0000000h
		EVENTLOG5_FIFO8_TIME [15:0]																
R297124 (488A4h)	EVENTLOG5_FIFO9_ READ	0	0	0	0	0	0	0	0	0	0	0	0	0	0	0	0	0000000h
		0	0	0	EVENTLO G5 FIFO9_ POL	0	0	EVENTLOG5_FIFO9_ID [9:0]										
R297126 (488A6h)	EVENTLOG5_FIFO9_ TIME	EVENTLOG5_FIFO9_TIME [31:16]																0000000h
		EVENTLOG5_FIFO9_TIME [15:0]																
R297128 (488A8h)	EVENTLOG5_FIFO10_ READ	0	0	0	0	0	0	0	0	0	0	0	0	0	0	0	0	0000000h
		0	0	0	EVENTLO G5 FIFO10_ POL	0	0	EVENTLOG5_FIFO10_ID [9:0]										
R297130 (488AAh)	EVENTLOG5_FIFO10_ TIME	EVENTLOG5_FIFO10_TIME [31:16]																0000000h
		EVENTLOG5_FIFO10_TIME [15:0]																
R297132 (488ACh)	EVENTLOG5_FIFO11_ READ	0	0	0	0	0	0	0	0	0	0	0	0	0	0	0	0	0000000h
		0	0	0	EVENTLO G5 FIFO11_ POL	0	0	EVENTLOG5_FIFO11_ID [9:0]										
R297134 (488AEh)	EVENTLOG5_FIFO11_ TIME	EVENTLOG5_FIFO11_TIME [31:16]																0000000h
		EVENTLOG5_FIFO11_TIME [15:0]																
R297136 (488B0h)	EVENTLOG5_FIFO12_ READ	0	0	0	0	0	0	0	0	0	0	0	0	0	0	0	0	0000000h
		0	0	0	EVENTLO G5 FIFO12_ POL	0	0	EVENTLOG5_FIFO12_ID [9:0]										
R297138 (488B2h)	EVENTLOG5_FIFO12_ TIME	EVENTLOG5_FIFO12_TIME [31:16]																0000000h
		EVENTLOG5_FIFO12_TIME [15:0]																
R297140 (488B4h)	EVENTLOG5_FIFO13_ READ	0	0	0	0	0	0	0	0	0	0	0	0	0	0	0	0	0000000h
		0	0	0	EVENTLO G5 FIFO13_ POL	0	0	EVENTLOG5_FIFO13_ID [9:0]										
R297142 (488B6h)	EVENTLOG5_FIFO13_ TIME	EVENTLOG5_FIFO13_TIME [31:16]																0000000h
		EVENTLOG5_FIFO13_TIME [15:0]																

Table 6-2. Register Map Definition—32-bit region (Cont.)

Register	Name	31 15	30 14	29 13	28 12	27 11	26 10	25 9	24 8	23 7	22 6	21 5	20 4	19 3	18 2	17 1	16 0	Default
R297144 (488B8h)	EVENTLOG5_FIFO14_ READ	0	0	0	0	0	0	0	0	0	0	0	0	0	0	0	0	0000000h
		0	0	0	EVENTLO G5 FIFO14_ POL	0	0	EVENTLOG5_FIFO14_ID [9:0]										
R297146 (488BAh)	EVENTLOG5_FIFO14_ TIME	EVENTLOG5_FIFO14_TIME [31:16]																0000000h
		EVENTLOG5_FIFO14_TIME [15:0]																
R297148 (488BCh)	EVENTLOG5_FIFO15_ READ	0	0	0	0	0	0	0	0	0	0	0	0	0	0	0	0	0000000h
		0	0	0	EVENTLO G5 FIFO15_ POL	0	0	EVENTLOG5_FIFO15_ID [9:0]										
R297150 (488BEh)	EVENTLOG5_FIFO15_ TIME	EVENTLOG5_FIFO15_TIME [31:16]																0000000h
		EVENTLOG5_FIFO15_TIME [15:0]																
R297476 (48A04h)R2 97472 (48A00h)	EVENTLOG6_TIMER_ SEL	0	0	0	0	0	0	0	0	0	0	0	0	0	0	0	0	0000000h
		0	0	0	0	0	0	0	0	0	0	0	0	0	0	0	EVENTLOG6 TIMER_SEL [1:0]	
R297484 (48A0Ch)	EVENTLOG6_FIFO_ CONTROL1	0	0	0	0	0	0	0	0	0	0	0	0	0	0	0	0	0000001h
		0	0	0	0	0	0	0	0	0	0	0	0	0	0	0	0	EVENTLOG6_FIFO_WMARK [3:0]
R297486 (48A0Eh)	EVENTLOG6_FIFO_ POINTER1	0	0	0	0	0	0	0	0	0	0	0	0	0	0	0	0	0000000h
		0	0	0	0	0	0	0	0	0	0	0	0	0	0	0	0	EVENTLO G6_FULL WMARK_ STS
		EVENTLOG6_FIFO_WPTR [3:0]						0	0	0	0	EVENTLOG6_FIFO_RPTR [3:0]						
R297504 (48A20h)	EVENTLOG6_CH_ ENABLE1	0	0	0	0	0	0	0	0	0	0	0	0	0	0	0	0	0000000h
		EVENTLO G6_CH16_ ENA	EVENTLO G6_CH15_ ENA	EVENTLO G6_CH14_ ENA	EVENTLO G6_CH13_ ENA	EVENTLO G6_CH12_ ENA	EVENTLO G6_CH11_ ENA	EVENTLO G6_CH10_ ENA	EVENTLO G6_CH9_ ENA	EVENTLO G6_CH8_ ENA	EVENTLO G6_CH7_ ENA	EVENTLO G6_CH6_ ENA	EVENTLO G6_CH5_ ENA	EVENTLO G6_CH4_ ENA	EVENTLO G6_CH3_ ENA	EVENTLO G6_CH2_ ENA	EVENTLO G6_CH1_ ENA	
R297536 (48A40h)	EVENTLOG6_CH1_ DEFINE	0	0	0	0	0	0	0	0	0	0	0	0	0	0	0	0	0000000h
		EVENTLO G6_CH1_ DB	EVENTLO G6_CH1_ POL	0	0	0	0	EVENTLOG6_CH1_SEL [9:0]										
R297538 (48A42h)	EVENTLOG6_CH2_ DEFINE	0	0	0	0	0	0	0	0	0	0	0	0	0	0	0	0	0000000h
		EVENTLO G6_CH2_ DB	EVENTLO G6_CH2_ POL	0	0	0	0	EVENTLOG6_CH2_SEL [9:0]										
R297540 (48A44h)	EVENTLOG6_CH3_ DEFINE	0	0	0	0	0	0	0	0	0	0	0	0	0	0	0	0	0000000h
		EVENTLO G6_CH3_ DB	EVENTLO G6_CH3_ POL	0	0	0	0	EVENTLOG6_CH3_SEL [9:0]										
R297542 (48A46h)	EVENTLOG6_CH4_ DEFINE	0	0	0	0	0	0	0	0	0	0	0	0	0	0	0	0	0000000h
		EVENTLO G6_CH4_ DB	EVENTLO G6_CH4_ POL	0	0	0	0	EVENTLOG6_CH4_SEL [9:0]										
R297544 (48A48h)	EVENTLOG6_CH5_ DEFINE	0	0	0	0	0	0	0	0	0	0	0	0	0	0	0	0	0000000h
		EVENTLO G6_CH5_ DB	EVENTLO G6_CH5_ POL	0	0	0	0	EVENTLOG6_CH5_SEL [9:0]										
R297546 (48A4Ah)	EVENTLOG6_CH6_ DEFINE	0	0	0	0	0	0	0	0	0	0	0	0	0	0	0	0	0000000h
		EVENTLO G6_CH6_ DB	EVENTLO G6_CH6_ POL	0	0	0	0	EVENTLOG6_CH6_SEL [9:0]										
R297548 (48A4Ch)	EVENTLOG6_CH7_ DEFINE	0	0	0	0	0	0	0	0	0	0	0	0	0	0	0	0	0000000h
		EVENTLO G6_CH7_ DB	EVENTLO G6_CH7_ POL	0	0	0	0	EVENTLOG6_CH7_SEL [9:0]										
R297550 (48A4Eh)	EVENTLOG6_CH8_ DEFINE	0	0	0	0	0	0	0	0	0	0	0	0	0	0	0	0	0000000h
		EVENTLO G6_CH8_ DB	EVENTLO G6_CH8_ POL	0	0	0	0	EVENTLOG6_CH8_SEL [9:0]										
R297552 (48A50h)	EVENTLOG6_CH9_ DEFINE	0	0	0	0	0	0	0	0	0	0	0	0	0	0	0	0	0000000h
		EVENTLO G6_CH9_ DB	EVENTLO G6_CH9_ POL	0	0	0	0	EVENTLOG6_CH9_SEL [9:0]										
R297554 (48A52h)	EVENTLOG6_CH10_ DEFINE	0	0	0	0	0	0	0	0	0	0	0	0	0	0	0	0	0000000h
		EVENTLO G6_CH10_ DB	EVENTLO G6_CH10_ POL	0	0	0	0	EVENTLOG6_CH10_SEL [9:0]										
R297556 (48A54h)	EVENTLOG6_CH11_ DEFINE	0	0	0	0	0	0	0	0	0	0	0	0	0	0	0	0	0000000h
		EVENTLO G6_CH11_ DB	EVENTLO G6_CH11_ POL	0	0	0	0	EVENTLOG6_CH11_SEL [9:0]										
R297558 (48A56h)	EVENTLOG6_CH12_ DEFINE	0	0	0	0	0	0	0	0	0	0	0	0	0	0	0	0	0000000h
		EVENTLO G6_CH12_ DB	EVENTLO G6_CH12_ POL	0	0	0	0	EVENTLOG6_CH12_SEL [9:0]										
R297560 (48A58h)	EVENTLOG6_CH13_ DEFINE	0	0	0	0	0	0	0	0	0	0	0	0	0	0	0	0	0000000h
		EVENTLO G6_CH13_ DB	EVENTLO G6_CH13_ POL	0	0	0	0	EVENTLOG6_CH13_SEL [9:0]										
R297562 (48A5Ah)	EVENTLOG6_CH14_ DEFINE	0	0	0	0	0	0	0	0	0	0	0	0	0	0	0	0	0000000h
		EVENTLO G6_CH14_ DB	EVENTLO G6_CH14_ POL	0	0	0	0	EVENTLOG6_CH14_SEL [9:0]										

Table 6-2. Register Map Definition—32-bit region (Cont.)

Register	Name	31 15	30 14	29 13	28 12	27 11	26 10	25 9	24 8	23 7	22 6	21 5	20 4	19 3	18 2	17 1	16 0	Default
R297564 (48A5Ch)	EVENTLOG6_CH15_ DEFINE	0	0	0	0	0	0	0	0	0	0	0	0	0	0	0	0	0000000h
		EVENTLO G6_CH15_ DB	EVENTLO G6_CH15_ POL	0	0	0	0	EVENTLOG6_CH15_SEL [9:0]										
R297566 (48A5Eh)	EVENTLOG6_CH16_ DEFINE	0	0	0	0	0	0	0	0	0	0	0	0	0	0	0	0	0000000h
		EVENTLO G6_CH16_ DB	EVENTLO G6_CH16_ POL	0	0	0	0	EVENTLOG6_CH16_SEL [9:0]										
R297600 (48A80h)	EVENTLOG6_FIFO0_ READ	0	0	0	0	0	0	0	0	0	0	0	0	0	0	0	0	0000000h
		0	0	0	EVENTLO G6 FIFO0_ POL	0	0	EVENTLOG6_FIFO0_ID [9:0]										
R297602 (48A82h)	EVENTLOG6_FIFO0_ TIME	EVENTLOG6_FIFO0_TIME [31:16]																0000000h
		EVENTLOG6_FIFO0_TIME [15:0]																
R297604 (48A84h)	EVENTLOG6_FIFO1_ READ	0	0	0	0	0	0	0	0	0	0	0	0	0	0	0	0	0000000h
		0	0	0	EVENTLO G6 FIFO1_ POL	0	0	EVENTLOG6_FIFO1_ID [9:0]										
R297606 (48A86h)	EVENTLOG6_FIFO1_ TIME	EVENTLOG6_FIFO1_TIME [31:16]																0000000h
		EVENTLOG6_FIFO1_TIME [15:0]																
R297608 (48A88h)	EVENTLOG6_FIFO2_ READ	0	0	0	0	0	0	0	0	0	0	0	0	0	0	0	0	0000000h
		0	0	0	EVENTLO G6 FIFO2_ POL	0	0	EVENTLOG6_FIFO2_ID [9:0]										
R297610 (48A8Ah)	EVENTLOG6_FIFO2_ TIME	EVENTLOG6_FIFO2_TIME [31:16]																0000000h
		EVENTLOG6_FIFO2_TIME [15:0]																
R297612 (48A8Ch)	EVENTLOG6_FIFO3_ READ	0	0	0	0	0	0	0	0	0	0	0	0	0	0	0	0	0000000h
		0	0	0	EVENTLO G6 FIFO3_ POL	0	0	EVENTLOG6_FIFO3_ID [9:0]										
R297614 (48A8Eh)	EVENTLOG6_FIFO3_ TIME	EVENTLOG6_FIFO3_TIME [31:16]																0000000h
		EVENTLOG6_FIFO3_TIME [15:0]																
R297616 (48A90h)	EVENTLOG6_FIFO4_ READ	0	0	0	0	0	0	0	0	0	0	0	0	0	0	0	0	0000000h
		0	0	0	EVENTLO G6 FIFO4_ POL	0	0	EVENTLOG6_FIFO4_ID [9:0]										
R297618 (48A92h)	EVENTLOG6_FIFO4_ TIME	EVENTLOG6_FIFO4_TIME [31:16]																0000000h
		EVENTLOG6_FIFO4_TIME [15:0]																
R297620 (48A94h)	EVENTLOG6_FIFO5_ READ	0	0	0	0	0	0	0	0	0	0	0	0	0	0	0	0	0000000h
		0	0	0	EVENTLO G6 FIFO5_ POL	0	0	EVENTLOG6_FIFO5_ID [9:0]										
R297622 (48A96h)	EVENTLOG6_FIFO5_ TIME	EVENTLOG6_FIFO5_TIME [31:16]																0000000h
		EVENTLOG6_FIFO5_TIME [15:0]																
R297624 (48A98h)	EVENTLOG6_FIFO6_ READ	0	0	0	0	0	0	0	0	0	0	0	0	0	0	0	0	0000000h
		0	0	0	EVENTLO G6 FIFO6_ POL	0	0	EVENTLOG6_FIFO6_ID [9:0]										
R297626 (48A9Ah)	EVENTLOG6_FIFO6_ TIME	EVENTLOG6_FIFO6_TIME [31:16]																0000000h
		EVENTLOG6_FIFO6_TIME [15:0]																
R297628 (48A9Ch)	EVENTLOG6_FIFO7_ READ	0	0	0	0	0	0	0	0	0	0	0	0	0	0	0	0	0000000h
		0	0	0	EVENTLO G6 FIFO7_ POL	0	0	EVENTLOG6_FIFO7_ID [9:0]										
R297630 (48A9Eh)	EVENTLOG6_FIFO7_ TIME	EVENTLOG6_FIFO7_TIME [31:16]																0000000h
		EVENTLOG6_FIFO7_TIME [15:0]																
R297632 (48AA0h)	EVENTLOG6_FIFO8_ READ	0	0	0	0	0	0	0	0	0	0	0	0	0	0	0	0	0000000h
		0	0	0	EVENTLO G6 FIFO8_ POL	0	0	EVENTLOG6_FIFO8_ID [9:0]										
R297634 (48AA2h)	EVENTLOG6_FIFO8_ TIME	EVENTLOG6_FIFO8_TIME [31:16]																0000000h
		EVENTLOG6_FIFO8_TIME [15:0]																
R297636 (48AA4h)	EVENTLOG6_FIFO9_ READ	0	0	0	0	0	0	0	0	0	0	0	0	0	0	0	0	0000000h
		0	0	0	EVENTLO G6 FIFO9_ POL	0	0	EVENTLOG6_FIFO9_ID [9:0]										
R297638 (48AA6h)	EVENTLOG6_FIFO9_ TIME	EVENTLOG6_FIFO9_TIME [31:16]																0000000h
		EVENTLOG6_FIFO9_TIME [15:0]																
R297640 (48AA8h)	EVENTLOG6_FIFO10_ READ	0	0	0	0	0	0	0	0	0	0	0	0	0	0	0	0	0000000h
		0	0	0	EVENTLO G6 FIFO10_ POL	0	0	EVENTLOG6_FIFO10_ID [9:0]										

Table 6-2. Register Map Definition—32-bit region (Cont.)

Register	Name	31 15	30 14	29 13	28 12	27 11	26 10	25 9	24 8	23 7	22 6	21 5	20 4	19 3	18 2	17 1	16 0	Default																
R297642 (48AAAh)	EVENTLOG6_FIFO10_ TIME	EVENTLOG6_FIFO10_TIME [31:16]																00000000h																
		EVENTLOG6_FIFO10_TIME [15:0]																																
R297644 (48AACh)	EVENTLOG6_FIFO11_ READ	0	0	0	0	0	0	0	0	0	0	0	0	0	0	0	0	EVENTLOG6_FIFO11_ID [9:0]	00000000h															
					EVENTLO G6 FIFO11_ POL																													
R297646 (48AAEh)	EVENTLOG6_FIFO11_ TIME	EVENTLOG6_FIFO11_TIME [31:16]																00000000h																
		EVENTLOG6_FIFO11_TIME [15:0]																																
R297648 (48AB0h)	EVENTLOG6_FIFO12_ READ	0	0	0	0	0	0	0	0	0	0	0	0	0	0	0	0	EVENTLOG6_FIFO12_ID [9:0]	00000000h															
					EVENTLO G6 FIFO12_ POL																													
R297650 (48AB2h)	EVENTLOG6_FIFO12_ TIME	EVENTLOG6_FIFO12_TIME [31:16]																00000000h																
		EVENTLOG6_FIFO12_TIME [15:0]																																
R297652 (48AB4h)	EVENTLOG6_FIFO13_ READ	0	0	0	0	0	0	0	0	0	0	0	0	0	0	0	0	EVENTLOG6_FIFO13_ID [9:0]	00000000h															
					EVENTLO G6 FIFO13_ POL																													
R297654 (48AB6h)	EVENTLOG6_FIFO13_ TIME	EVENTLOG6_FIFO13_TIME [31:16]																00000000h																
		EVENTLOG6_FIFO13_TIME [15:0]																																
R297656 (48AB8h)	EVENTLOG6_FIFO14_ READ	0	0	0	0	0	0	0	0	0	0	0	0	0	0	0	0	EVENTLOG6_FIFO14_ID [9:0]	00000000h															
					EVENTLO G6 FIFO14_ POL																													
R297658 (48ABAh)	EVENTLOG6_FIFO14_ TIME	EVENTLOG6_FIFO14_TIME [31:16]																00000000h																
		EVENTLOG6_FIFO14_TIME [15:0]																																
R297660 (48ABCh)	EVENTLOG6_FIFO15_ READ	0	0	0	0	0	0	0	0	0	0	0	0	0	0	0	0	EVENTLOG6_FIFO15_ID [9:0]	00000000h															
					EVENTLO G6 FIFO15_ POL																													
R297662 (48ABEh)	EVENTLOG6_FIFO15_ TIME	EVENTLOG6_FIFO15_TIME [31:16]																00000000h																
		EVENTLOG6_FIFO15_TIME [15:0]																																
R297988 (48C04h)R2 97984 (48C00h)	EVENTLOG7_TIMER_ SEL	0	0	0	0	0	0	0	0	0	0	0	0	0	0	0	0	EVENTLOG7_TIMER_SEL [1:0]	00000000h															
		0	0	0	0	0	0	0	0	0	0	0	0	0	0	0	0																	
R297996 (48C0Ch)	EVENTLOG7_FIFO_ CONTROL1	0	0	0	0	0	0	0	0	0	0	0	0	0	0	0	0	EVENTLOG7_FIFO_WMARK [3:0]	00000001h															
		0	0	0	0	0	0	0	0	0	0	0	0	0	0	0	0																	
R297998 (48C0Eh)	EVENTLOG7_FIFO_ POINTER1	0	0	0	0	0	0	0	0	0	0	0	0	0	0	0	0	EVENTLOG7_FULL G7 WMARK_ STS	EVENTLOG7_NOT EMPTY G7 CH1	00000000h														
		0	0	0	0	0	0	0	0	0	0	0	0	0	0	0	0	EVENTLOG7_FIFO_WPTR [3:0]	EVENTLOG7_FIFO_RPTR [3:0]															
R298016 (48C20h)	EVENTLOG7_CH_ ENABLE1	0	0	0	0	0	0	0	0	0	0	0	0	0	0	0	0	EVENTLOG7_CH16 ENA	EVENTLOG7_CH15 ENA	EVENTLOG7_CH14 ENA	EVENTLOG7_CH13 ENA	EVENTLOG7_CH12 ENA	EVENTLOG7_CH11 ENA	EVENTLOG7_CH10 ENA	EVENTLOG7_CH9 ENA	EVENTLOG7_CH8 ENA	EVENTLOG7_CH7 ENA	EVENTLOG7_CH6 ENA	EVENTLOG7_CH5 ENA	EVENTLOG7_CH4 ENA	EVENTLOG7_CH3 ENA	EVENTLOG7_CH2 ENA	EVENTLOG7_CH1 ENA	00000000h
R298048 (48C40h)	EVENTLOG7_CH1_ DEFINE	0	0	0	0	0	0	0	0	0	0	0	0	0	0	0	0	EVENTLOG7_CH1_ DB	EVENTLOG7_CH1_ POL														EVENTLOG7_CH1_SEL [9:0]	00000000h
R298050 (48C42h)	EVENTLOG7_CH2_ DEFINE	0	0	0	0	0	0	0	0	0	0	0	0	0	0	0	0	EVENTLOG7_CH2_ DB	EVENTLOG7_CH2_ POL													EVENTLOG7_CH2_SEL [9:0]	00000000h	
R298052 (48C44h)	EVENTLOG7_CH3_ DEFINE	0	0	0	0	0	0	0	0	0	0	0	0	0	0	0	0	EVENTLOG7_CH3_ DB	EVENTLOG7_CH3_ POL													EVENTLOG7_CH3_SEL [9:0]	00000000h	
R298054 (48C46h)	EVENTLOG7_CH4_ DEFINE	0	0	0	0	0	0	0	0	0	0	0	0	0	0	0	0	EVENTLOG7_CH4_ DB	EVENTLOG7_CH4_ POL													EVENTLOG7_CH4_SEL [9:0]	00000000h	
R298056 (48C48h)	EVENTLOG7_CH5_ DEFINE	0	0	0	0	0	0	0	0	0	0	0	0	0	0	0	0	EVENTLOG7_CH5_ DB	EVENTLOG7_CH5_ POL													EVENTLOG7_CH5_SEL [9:0]	00000000h	
R298058 (48C4Ah)	EVENTLOG7_CH6_ DEFINE	0	0	0	0	0	0	0	0	0	0	0	0	0	0	0	0	EVENTLOG7_CH6_ DB	EVENTLOG7_CH6_ POL													EVENTLOG7_CH6_SEL [9:0]	00000000h	
R298060 (48C4Ch)	EVENTLOG7_CH7_ DEFINE	0	0	0	0	0	0	0	0	0	0	0	0	0	0	0	0	EVENTLOG7_CH7_ DB	EVENTLOG7_CH7_ POL													EVENTLOG7_CH7_SEL [9:0]	00000000h	
R298062 (48C4Eh)	EVENTLOG7_CH8_ DEFINE	0	0	0	0	0	0	0	0	0	0	0	0	0	0	0	0	EVENTLOG7_CH8_ DB	EVENTLOG7_CH8_ POL													EVENTLOG7_CH8_SEL [9:0]	00000000h	

Table 6-2. Register Map Definition—32-bit region (Cont.)

Register	Name	31 15	30 14	29 13	28 12	27 11	26 10	25 9	24 8	23 7	22 6	21 5	20 4	19 3	18 2	17 1	16 0	Default
R298064 (48C50h)	EVENTLOG7_CH9_ DEFINE	0	0	0	0	0	0	0	0	0	0	0	0	0	0	0	0	0000000h
		EVENTLO G7_CH9_ DB	EVENTLO G7_CH9_ POL	0	0	0	0	EVENTLOG7_CH9_SEL [9:0]										
R298066 (48C52h)	EVENTLOG7_CH10_ DEFINE	0	0	0	0	0	0	0	0	0	0	0	0	0	0	0	0	0000000h
		EVENTLO G7_CH10_ DB	EVENTLO G7_CH10_ POL	0	0	0	0	EVENTLOG7_CH10_SEL [9:0]										
R298068 (48C54h)	EVENTLOG7_CH11_ DEFINE	0	0	0	0	0	0	0	0	0	0	0	0	0	0	0	0	0000000h
		EVENTLO G7_CH11_ DB	EVENTLO G7_CH11_ POL	0	0	0	0	EVENTLOG7_CH11_SEL [9:0]										
R298070 (48C56h)	EVENTLOG7_CH12_ DEFINE	0	0	0	0	0	0	0	0	0	0	0	0	0	0	0	0	0000000h
		EVENTLO G7_CH12_ DB	EVENTLO G7_CH12_ POL	0	0	0	0	EVENTLOG7_CH12_SEL [9:0]										
R298072 (48C58h)	EVENTLOG7_CH13_ DEFINE	0	0	0	0	0	0	0	0	0	0	0	0	0	0	0	0	0000000h
		EVENTLO G7_CH13_ DB	EVENTLO G7_CH13_ POL	0	0	0	0	EVENTLOG7_CH13_SEL [9:0]										
R298074 (48C5Ah)	EVENTLOG7_CH14_ DEFINE	0	0	0	0	0	0	0	0	0	0	0	0	0	0	0	0	0000000h
		EVENTLO G7_CH14_ DB	EVENTLO G7_CH14_ POL	0	0	0	0	EVENTLOG7_CH14_SEL [9:0]										
R298076 (48C5Ch)	EVENTLOG7_CH15_ DEFINE	0	0	0	0	0	0	0	0	0	0	0	0	0	0	0	0	0000000h
		EVENTLO G7_CH15_ DB	EVENTLO G7_CH15_ POL	0	0	0	0	EVENTLOG7_CH15_SEL [9:0]										
R298078 (48C5Eh)	EVENTLOG7_CH16_ DEFINE	0	0	0	0	0	0	0	0	0	0	0	0	0	0	0	0	0000000h
		EVENTLO G7_CH16_ DB	EVENTLO G7_CH16_ POL	0	0	0	0	EVENTLOG7_CH16_SEL [9:0]										
R298112 (48C80h)	EVENTLOG7_FIFO0_ READ	0	0	0	0	0	0	0	0	0	0	0	0	0	0	0	0	0000000h
		0	0	0	EVENTLO G7_ FIFO0_ POL	0	0	EVENTLOG7_FIFO0_ID [9:0]										
R298114 (48C82h)	EVENTLOG7_FIFO0_ TIME	EVENTLOG7_FIFO0_TIME [31:16]																0000000h
		EVENTLOG7_FIFO0_TIME [15:0]																
R298116 (48C84h)	EVENTLOG7_FIFO1_ READ	0	0	0	0	0	0	0	0	0	0	0	0	0	0	0	0	0000000h
		0	0	0	EVENTLO G7_ FIFO1_ POL	0	0	EVENTLOG7_FIFO1_ID [9:0]										
R298118 (48C86h)	EVENTLOG7_FIFO1_ TIME	EVENTLOG7_FIFO1_TIME [31:16]																0000000h
		EVENTLOG7_FIFO1_TIME [15:0]																
R298120 (48C88h)	EVENTLOG7_FIFO2_ READ	0	0	0	0	0	0	0	0	0	0	0	0	0	0	0	0	0000000h
		0	0	0	EVENTLO G7_ FIFO2_ POL	0	0	EVENTLOG7_FIFO2_ID [9:0]										
R298122 (48C8Ah)	EVENTLOG7_FIFO2_ TIME	EVENTLOG7_FIFO2_TIME [31:16]																0000000h
		EVENTLOG7_FIFO2_TIME [15:0]																
R298124 (48C8Ch)	EVENTLOG7_FIFO3_ READ	0	0	0	0	0	0	0	0	0	0	0	0	0	0	0	0	0000000h
		0	0	0	EVENTLO G7_ FIFO3_ POL	0	0	EVENTLOG7_FIFO3_ID [9:0]										
R298126 (48C8Eh)	EVENTLOG7_FIFO3_ TIME	EVENTLOG7_FIFO3_TIME [31:16]																0000000h
		EVENTLOG7_FIFO3_TIME [15:0]																
R298128 (48C90h)	EVENTLOG7_FIFO4_ READ	0	0	0	0	0	0	0	0	0	0	0	0	0	0	0	0	0000000h
		0	0	0	EVENTLO G7_ FIFO4_ POL	0	0	EVENTLOG7_FIFO4_ID [9:0]										
R298130 (48C92h)	EVENTLOG7_FIFO4_ TIME	EVENTLOG7_FIFO4_TIME [31:16]																0000000h
		EVENTLOG7_FIFO4_TIME [15:0]																
R298132 (48C94h)	EVENTLOG7_FIFO5_ READ	0	0	0	0	0	0	0	0	0	0	0	0	0	0	0	0	0000000h
		0	0	0	EVENTLO G7_ FIFO5_ POL	0	0	EVENTLOG7_FIFO5_ID [9:0]										
R298134 (48C96h)	EVENTLOG7_FIFO5_ TIME	EVENTLOG7_FIFO5_TIME [31:16]																0000000h
		EVENTLOG7_FIFO5_TIME [15:0]																
R298136 (48C98h)	EVENTLOG7_FIFO6_ READ	0	0	0	0	0	0	0	0	0	0	0	0	0	0	0	0	0000000h
		0	0	0	EVENTLO G7_ FIFO6_ POL	0	0	EVENTLOG7_FIFO6_ID [9:0]										
R298138 (48C9Ah)	EVENTLOG7_FIFO6_ TIME	EVENTLOG7_FIFO6_TIME [31:16]																0000000h
		EVENTLOG7_FIFO6_TIME [15:0]																

Table 6-2. Register Map Definition—32-bit region (Cont.)

Register	Name	31 15	30 14	29 13	28 12	27 11	26 10	25 9	24 8	23 7	22 6	21 5	20 4	19 3	18 2	17 1	16 0	Default
R298140 (48C9Ch)	EVENTLOG7_FIFO7_ READ	0	0	0	0	0	0	0	0	0	0	0	0	0	0	0	0	0000000h
		0	0	0	EVENTLO G7 FIFO7_ POL	0	0	EVENTLOG7_FIFO7_ID [9:0]										
R298142 (48C9Eh)	EVENTLOG7_FIFO7_ TIME	EVENTLOG7_FIFO7_TIME [31:16]																0000000h
		EVENTLOG7_FIFO7_TIME [15:0]																
R298144 (48CA0h)	EVENTLOG7_FIFO8_ READ	0	0	0	0	0	0	0	0	0	0	0	0	0	0	0	0	0000000h
		0	0	0	EVENTLO G7 FIFO8_ POL	0	0	EVENTLOG7_FIFO8_ID [9:0]										
R298146 (48CA2h)	EVENTLOG7_FIFO8_ TIME	EVENTLOG7_FIFO8_TIME [31:16]																0000000h
		EVENTLOG7_FIFO8_TIME [15:0]																
R298148 (48CA4h)	EVENTLOG7_FIFO9_ READ	0	0	0	0	0	0	0	0	0	0	0	0	0	0	0	0	0000000h
		0	0	0	EVENTLO G7 FIFO9_ POL	0	0	EVENTLOG7_FIFO9_ID [9:0]										
R298150 (48CA6h)	EVENTLOG7_FIFO9_ TIME	EVENTLOG7_FIFO9_TIME [31:16]																0000000h
		EVENTLOG7_FIFO9_TIME [15:0]																
R298152 (48CA8h)	EVENTLOG7_FIFO10_ READ	0	0	0	0	0	0	0	0	0	0	0	0	0	0	0	0	0000000h
		0	0	0	EVENTLO G7 FIFO10_ POL	0	0	EVENTLOG7_FIFO10_ID [9:0]										
R298154 (48CAAh)	EVENTLOG7_FIFO10_ TIME	EVENTLOG7_FIFO10_TIME [31:16]																0000000h
		EVENTLOG7_FIFO10_TIME [15:0]																
R298156 (48CACH)	EVENTLOG7_FIFO11_ READ	0	0	0	0	0	0	0	0	0	0	0	0	0	0	0	0	0000000h
		0	0	0	EVENTLO G7 FIFO11_ POL	0	0	EVENTLOG7_FIFO11_ID [9:0]										
R298158 (48CAEh)	EVENTLOG7_FIFO11_ TIME	EVENTLOG7_FIFO11_TIME [31:16]																0000000h
		EVENTLOG7_FIFO11_TIME [15:0]																
R298160 (48CB0h)	EVENTLOG7_FIFO12_ READ	0	0	0	0	0	0	0	0	0	0	0	0	0	0	0	0	0000000h
		0	0	0	EVENTLO G7 FIFO12_ POL	0	0	EVENTLOG7_FIFO12_ID [9:0]										
R298162 (48CB2h)	EVENTLOG7_FIFO12_ TIME	EVENTLOG7_FIFO12_TIME [31:16]																0000000h
		EVENTLOG7_FIFO12_TIME [15:0]																
R298164 (48CB4h)	EVENTLOG7_FIFO13_ READ	0	0	0	0	0	0	0	0	0	0	0	0	0	0	0	0	0000000h
		0	0	0	EVENTLO G7 FIFO13_ POL	0	0	EVENTLOG7_FIFO13_ID [9:0]										
R298166 (48CB6h)	EVENTLOG7_FIFO13_ TIME	EVENTLOG7_FIFO13_TIME [31:16]																0000000h
		EVENTLOG7_FIFO13_TIME [15:0]																
R298168 (48CB8h)	EVENTLOG7_FIFO14_ READ	0	0	0	0	0	0	0	0	0	0	0	0	0	0	0	0	0000000h
		0	0	0	EVENTLO G7 FIFO14_ POL	0	0	EVENTLOG7_FIFO14_ID [9:0]										
R298170 (48CBAh)	EVENTLOG7_FIFO14_ TIME	EVENTLOG7_FIFO14_TIME [31:16]																0000000h
		EVENTLOG7_FIFO14_TIME [15:0]																
R298172 (48CBCh)	EVENTLOG7_FIFO15_ READ	0	0	0	0	0	0	0	0	0	0	0	0	0	0	0	0	0000000h
		0	0	0	EVENTLO G7 FIFO15_ POL	0	0	EVENTLOG7_FIFO15_ID [9:0]										
R298174 (48CBEh)	EVENTLOG7_FIFO15_ TIME	EVENTLOG7_FIFO15_TIME [31:16]																0000000h
		EVENTLOG7_FIFO15_TIME [15:0]																
R298500 (48E04h)R2 98496 (48E00h)	EVENTLOG8_TIMER_ SEL	0	0	0	0	0	0	0	0	0	0	0	0	0	0	0	0	0000000h
		0	0	0	0	0	0	0	0	0	0	0	0	0	0	0	EVENTLOG8 TIMER_SEL [1:0]	
R298508 (48E0Ch)	EVENTLOG8_FIFO_ CONTROL1	0	0	0	0	0	0	0	0	0	0	0	0	0	0	0	0	0000001h
		0	0	0	0	0	0	0	0	0	0	0	0	EVENTLOG8_FIFO_WMARK [3:0]				
R298510 (48E0Eh)	EVENTLOG8_FIFO_ POINTER1	0	0	0	0	0	0	0	0	0	0	0	0	0	0	0	0	0000000h
		0	0	0	0	0	0	0	0	0	0	0	0	0	EVENTLO G8_FULL	EVENTLO G8 WMARK_ STS	EVENTLO G8 NOT EMPTY	
		0			0			EVENTLOG8_FIFO_WPTR [3:0]			0			EVENTLOG8_FIFO_RPTR [3:0]				
R298528 (48E20h)	EVENTLOG8_CH_ ENABLE1	0	0	0	0	0	0	0	0	0	0	0	0	0	0	0	0	0000000h
		EVENTLO G8_CH16_ ENA	EVENTLO G8_CH15_ ENA	EVENTLO G8_CH14_ ENA	EVENTLO G8_CH13_ ENA	EVENTLO G8_CH12_ ENA	EVENTLO G8_CH11_ ENA	EVENTLO G8_CH10_ ENA	EVENTLO G8_CH9_ ENA	EVENTLO G8_CH8_ ENA	EVENTLO G8_CH7_ ENA	EVENTLO G8_CH6_ ENA	EVENTLO G8_CH5_ ENA	EVENTLO G8_CH4_ ENA	EVENTLO G8_CH3_ ENA	EVENTLO G8_CH2_ ENA	EVENTLO G8_CH1_ ENA	
R298560 (48E40h)	EVENTLOG8_CH1_ DEFINE	0	0	0	0	0	0	0	0	0	0	0	0	0	0	0	0	0000000h
		EVENTLO G8_CH1_ DB	EVENTLO G8_CH1_ POL	0	0	0	0	EVENTLOG8_CH1_SEL [9:0]										

Table 6-2. Register Map Definition—32-bit region (Cont.)

Register	Name	31 15	30 14	29 13	28 12	27 11	26 10	25 9	24 8	23 7	22 6	21 5	20 4	19 3	18 2	17 1	16 0	Default
R298562 (48E42h)	EVENTLOG8_CH2_ DEFINE	0	0	0	0	0	0	0	0	0	0	0	0	0	0	0	0	0000000h
		EVENTLO G8_CH2_ DB	EVENTLO G8_CH2_ POL	0	0	0	0	EVENTLOG8_CH2_SEL [9:0]										
R298564 (48E44h)	EVENTLOG8_CH3_ DEFINE	0	0	0	0	0	0	0	0	0	0	0	0	0	0	0	0	0000000h
		EVENTLO G8_CH3_ DB	EVENTLO G8_CH3_ POL	0	0	0	0	EVENTLOG8_CH3_SEL [9:0]										
R298566 (48E46h)	EVENTLOG8_CH4_ DEFINE	0	0	0	0	0	0	0	0	0	0	0	0	0	0	0	0	0000000h
		EVENTLO G8_CH4_ DB	EVENTLO G8_CH4_ POL	0	0	0	0	EVENTLOG8_CH4_SEL [9:0]										
R298568 (48E48h)	EVENTLOG8_CH5_ DEFINE	0	0	0	0	0	0	0	0	0	0	0	0	0	0	0	0	0000000h
		EVENTLO G8_CH5_ DB	EVENTLO G8_CH5_ POL	0	0	0	0	EVENTLOG8_CH5_SEL [9:0]										
R298570 (48E4Ah)	EVENTLOG8_CH6_ DEFINE	0	0	0	0	0	0	0	0	0	0	0	0	0	0	0	0	0000000h
		EVENTLO G8_CH6_ DB	EVENTLO G8_CH6_ POL	0	0	0	0	EVENTLOG8_CH6_SEL [9:0]										
R298572 (48E4Ch)	EVENTLOG8_CH7_ DEFINE	0	0	0	0	0	0	0	0	0	0	0	0	0	0	0	0	0000000h
		EVENTLO G8_CH7_ DB	EVENTLO G8_CH7_ POL	0	0	0	0	EVENTLOG8_CH7_SEL [9:0]										
R298574 (48E4Eh)	EVENTLOG8_CH8_ DEFINE	0	0	0	0	0	0	0	0	0	0	0	0	0	0	0	0	0000000h
		EVENTLO G8_CH8_ DB	EVENTLO G8_CH8_ POL	0	0	0	0	EVENTLOG8_CH8_SEL [9:0]										
R298576 (48E50h)	EVENTLOG8_CH9_ DEFINE	0	0	0	0	0	0	0	0	0	0	0	0	0	0	0	0	0000000h
		EVENTLO G8_CH9_ DB	EVENTLO G8_CH9_ POL	0	0	0	0	EVENTLOG8_CH9_SEL [9:0]										
R298578 (48E52h)	EVENTLOG8_CH10_ DEFINE	0	0	0	0	0	0	0	0	0	0	0	0	0	0	0	0	0000000h
		EVENTLO G8_CH10_ DB	EVENTLO G8_CH10_ POL	0	0	0	0	EVENTLOG8_CH10_SEL [9:0]										
R298580 (48E54h)	EVENTLOG8_CH11_ DEFINE	0	0	0	0	0	0	0	0	0	0	0	0	0	0	0	0	0000000h
		EVENTLO G8_CH11_ DB	EVENTLO G8_CH11_ POL	0	0	0	0	EVENTLOG8_CH11_SEL [9:0]										
R298582 (48E56h)	EVENTLOG8_CH12_ DEFINE	0	0	0	0	0	0	0	0	0	0	0	0	0	0	0	0	0000000h
		EVENTLO G8_CH12_ DB	EVENTLO G8_CH12_ POL	0	0	0	0	EVENTLOG8_CH12_SEL [9:0]										
R298584 (48E58h)	EVENTLOG8_CH13_ DEFINE	0	0	0	0	0	0	0	0	0	0	0	0	0	0	0	0	0000000h
		EVENTLO G8_CH13_ DB	EVENTLO G8_CH13_ POL	0	0	0	0	EVENTLOG8_CH13_SEL [9:0]										
R298586 (48E5Ah)	EVENTLOG8_CH14_ DEFINE	0	0	0	0	0	0	0	0	0	0	0	0	0	0	0	0	0000000h
		EVENTLO G8_CH14_ DB	EVENTLO G8_CH14_ POL	0	0	0	0	EVENTLOG8_CH14_SEL [9:0]										
R298588 (48E5Ch)	EVENTLOG8_CH15_ DEFINE	0	0	0	0	0	0	0	0	0	0	0	0	0	0	0	0	0000000h
		EVENTLO G8_CH15_ DB	EVENTLO G8_CH15_ POL	0	0	0	0	EVENTLOG8_CH15_SEL [9:0]										
R298590 (48E5Eh)	EVENTLOG8_CH16_ DEFINE	0	0	0	0	0	0	0	0	0	0	0	0	0	0	0	0	0000000h
		EVENTLO G8_CH16_ DB	EVENTLO G8_CH16_ POL	0	0	0	0	EVENTLOG8_CH16_SEL [9:0]										
R298624 (48E80h)	EVENTLOG8_FIFO0_ READ	0	0	0	0	0	0	0	0	0	0	0	0	0	0	0	0	0000000h
					EVENTLO G8 FIFO0_ POL	0	0	EVENTLOG8_FIFO0_ID [9:0]										
R298626 (48E82h)	EVENTLOG8_FIFO0_ TIME	EVENTLOG8_FIFO0_TIME [31:16]																0000000h
		EVENTLOG8_FIFO0_TIME [15:0]																
R298628 (48E84h)	EVENTLOG8_FIFO1_ READ	0	0	0	0	0	0	0	0	0	0	0	0	0	0	0	0	0000000h
					EVENTLO G8 FIFO1_ POL	0	0	EVENTLOG8_FIFO1_ID [9:0]										
R298630 (48E86h)	EVENTLOG8_FIFO1_ TIME	EVENTLOG8_FIFO1_TIME [31:16]																0000000h
		EVENTLOG8_FIFO1_TIME [15:0]																
R298632 (48E88h)	EVENTLOG8_FIFO2_ READ	0	0	0	0	0	0	0	0	0	0	0	0	0	0	0	0	0000000h
					EVENTLO G8 FIFO2_ POL	0	0	EVENTLOG8_FIFO2_ID [9:0]										
R298634 (48E8Ah)	EVENTLOG8_FIFO2_ TIME	EVENTLOG8_FIFO2_TIME [31:16]																0000000h
		EVENTLOG8_FIFO2_TIME [15:0]																
R298636 (48E8Ch)	EVENTLOG8_FIFO3_ READ	0	0	0	0	0	0	0	0	0	0	0	0	0	0	0	0	0000000h
					EVENTLO G8 FIFO3_ POL	0	0	EVENTLOG8_FIFO3_ID [9:0]										

Table 6-2. Register Map Definition—32-bit region (Cont.)

Register	Name	31 15	30 14	29 13	28 12	27 11	26 10	25 9	24 8	23 7	22 6	21 5	20 4	19 3	18 2	17 1	16 0	Default	
R298638 (48E8Eh)	EVENTLOG8_FIFO3_ TIME	EVENTLOG8_FIFO3_TIME [31:16]																00000000h	
		EVENTLOG8_FIFO3_TIME [15:0]																	
R298640 (48E90h)	EVENTLOG8_FIFO4_ READ	0	0	0	0	0	0	0	0	0	0	0	0	0	0	0	0	EVENTLOG8_FIFO4_ID [9:0]	00000000h
		0	0	0	EVENTLOG8_FIFO4_POL	0	0												
R298642 (48E92h)	EVENTLOG8_FIFO4_ TIME	EVENTLOG8_FIFO4_TIME [31:16]																00000000h	
		EVENTLOG8_FIFO4_TIME [15:0]																	
R298644 (48E94h)	EVENTLOG8_FIFO5_ READ	0	0	0	0	0	0	0	0	0	0	0	0	0	0	0	0	EVENTLOG8_FIFO5_ID [9:0]	00000000h
		0	0	0	EVENTLOG8_FIFO5_POL	0	0												
R298646 (48E96h)	EVENTLOG8_FIFO5_ TIME	EVENTLOG8_FIFO5_TIME [31:16]																00000000h	
		EVENTLOG8_FIFO5_TIME [15:0]																	
R298648 (48E98h)	EVENTLOG8_FIFO6_ READ	0	0	0	0	0	0	0	0	0	0	0	0	0	0	0	0	EVENTLOG8_FIFO6_ID [9:0]	00000000h
		0	0	0	EVENTLOG8_FIFO6_POL	0	0												
R298650 (48E9Ah)	EVENTLOG8_FIFO6_ TIME	EVENTLOG8_FIFO6_TIME [31:16]																00000000h	
		EVENTLOG8_FIFO6_TIME [15:0]																	
R298652 (48E9Ch)	EVENTLOG8_FIFO7_ READ	0	0	0	0	0	0	0	0	0	0	0	0	0	0	0	0	EVENTLOG8_FIFO7_ID [9:0]	00000000h
		0	0	0	EVENTLOG8_FIFO7_POL	0	0												
R298654 (48E9Eh)	EVENTLOG8_FIFO7_ TIME	EVENTLOG8_FIFO7_TIME [31:16]																00000000h	
		EVENTLOG8_FIFO7_TIME [15:0]																	
R298656 (48EA0h)	EVENTLOG8_FIFO8_ READ	0	0	0	0	0	0	0	0	0	0	0	0	0	0	0	0	EVENTLOG8_FIFO8_ID [9:0]	00000000h
		0	0	0	EVENTLOG8_FIFO8_POL	0	0												
R298658 (48EA2h)	EVENTLOG8_FIFO8_ TIME	EVENTLOG8_FIFO8_TIME [31:16]																00000000h	
		EVENTLOG8_FIFO8_TIME [15:0]																	
R298660 (48EA4h)	EVENTLOG8_FIFO9_ READ	0	0	0	0	0	0	0	0	0	0	0	0	0	0	0	0	EVENTLOG8_FIFO9_ID [9:0]	00000000h
		0	0	0	EVENTLOG8_FIFO9_POL	0	0												
R298662 (48EA6h)	EVENTLOG8_FIFO9_ TIME	EVENTLOG8_FIFO9_TIME [31:16]																00000000h	
		EVENTLOG8_FIFO9_TIME [15:0]																	
R298664 (48EA8h)	EVENTLOG8_FIFO10_ READ	0	0	0	0	0	0	0	0	0	0	0	0	0	0	0	0	EVENTLOG8_FIFO10_ID [9:0]	00000000h
		0	0	0	EVENTLOG8_FIFO10_POL	0	0												
R298666 (48EAAh)	EVENTLOG8_FIFO10_ TIME	EVENTLOG8_FIFO10_TIME [31:16]																00000000h	
		EVENTLOG8_FIFO10_TIME [15:0]																	
R298668 (48EACH)	EVENTLOG8_FIFO11_ READ	0	0	0	0	0	0	0	0	0	0	0	0	0	0	0	0	EVENTLOG8_FIFO11_ID [9:0]	00000000h
		0	0	0	EVENTLOG8_FIFO11_POL	0	0												
R298670 (48EAEh)	EVENTLOG8_FIFO11_ TIME	EVENTLOG8_FIFO11_TIME [31:16]																00000000h	
		EVENTLOG8_FIFO11_TIME [15:0]																	
R298672 (48EB0h)	EVENTLOG8_FIFO12_ READ	0	0	0	0	0	0	0	0	0	0	0	0	0	0	0	0	EVENTLOG8_FIFO12_ID [9:0]	00000000h
		0	0	0	EVENTLOG8_FIFO12_POL	0	0												
R298674 (48EB2h)	EVENTLOG8_FIFO12_ TIME	EVENTLOG8_FIFO12_TIME [31:16]																00000000h	
		EVENTLOG8_FIFO12_TIME [15:0]																	
R298676 (48EB4h)	EVENTLOG8_FIFO13_ READ	0	0	0	0	0	0	0	0	0	0	0	0	0	0	0	0	EVENTLOG8_FIFO13_ID [9:0]	00000000h
		0	0	0	EVENTLOG8_FIFO13_POL	0	0												
R298678 (48EB6h)	EVENTLOG8_FIFO13_ TIME	EVENTLOG8_FIFO13_TIME [31:16]																00000000h	
		EVENTLOG8_FIFO13_TIME [15:0]																	
R298680 (48EB8h)	EVENTLOG8_FIFO14_ READ	0	0	0	0	0	0	0	0	0	0	0	0	0	0	0	0	EVENTLOG8_FIFO14_ID [9:0]	00000000h
		0	0	0	EVENTLOG8_FIFO14_POL	0	0												
R298682 (48EBAh)	EVENTLOG8_FIFO14_ TIME	EVENTLOG8_FIFO14_TIME [31:16]																00000000h	
		EVENTLOG8_FIFO14_TIME [15:0]																	
R298684 (48EBCh)	EVENTLOG8_FIFO15_ READ	0	0	0	0	0	0	0	0	0	0	0	0	0	0	0	0	EVENTLOG8_FIFO15_ID [9:0]	00000000h
		0	0	0	EVENTLOG8_FIFO15_POL	0	0												

Table 6-2. Register Map Definition—32-bit region (Cont.)

Register	Name	31 15	30 14	29 13	28 12	27 11	26 10	25 9	24 8	23 7	22 6	21 5	20 4	19 3	18 2	17 1	16 0	Default	
R298686 (48EBEh)	EVENTLOG8_FIFO15_TIME	EVENTLOG8_FIFO15_TIME [31:16]																00000000h	
R311296 (4C000h)	Timer1_Control	EVENTLOG8_FIFO15_TIME [15:0]																00000000h	
		0	0	0	0	0	0	0	0	0	0	0	TIMER1 CONTINU OUS	TIMER1 DIR	0	TIMER1_PRESCALE [2:0]			
		0	TIMER1_REFCLK_DIV [2:0]		0	TIMER1_REFCLK_FREQ_SEL [2:0]		0	0	0	0	0	0	TIMER1_REFCLK_SRC [3:0]					
R311298 (4C002h)	Timer1_Count_Preset	TIMER1_MAX_COUNT [31:16]																00000000h	
		TIMER1_MAX_COUNT [15:0]																	
R311302 (4C006h)	Timer1_Start_and_Stop	0	0	0	0	0	0	0	0	0	0	0	0	0	0	0	0	0	00000000h
		0	0	0	0	0	0	0	0	0	0	0	0	TIMER1 STOP	0	0	0	TIMER1 START	
R311304 (4C008h)	Timer1_Status	0	0	0	0	0	0	0	0	0	0	0	0	0	0	0	0	0	00000000h
		0	0	0	0	0	0	0	0	0	0	0	0	0	0	0	0	TIMER1 RUNNING STS	
R311306 (4C00Ah)	Timer1_Count_Readback	TIMER1_CUR_COUNT [31:16]																00000000h	
		TIMER1_CUR_COUNT [15:0]																	
R311308 (4C00Ch)	Timer1_DSP_Clock_Config	TIMER1_DSPCLK_FREQ_SEL [15:0]																00000000h	
R311310 (4C00Eh)	Timer1_DSP_Clock_Status	TIMER1_DSPCLK_FREQ_STS [15:0]																00000000h	
R311424 (4C080h)	Timer2_Control	TIMER2_MAX_COUNT [31:16]																00000000h	
		TIMER2_MAX_COUNT [15:0]																	
		0	0	0	0	0	0	0	0	0	0	0	0	0	0	0	0	00000000h	
0	TIMER2_REFCLK_DIV [2:0]		0	TIMER2_REFCLK_FREQ_SEL [2:0]		0	0	0	0	TIMER2 CONTINU OUS	TIMER2 DIR	0	TIMER2_PRESCALE [2:0]						
		0	TIMER2_REFCLK_DIV [2:0]		0	TIMER2_REFCLK_FREQ_SEL [2:0]		0	0	0	0	0	TIMER2_REFCLK_SRC [3:0]						
R311426 (4C082h)	Timer2_Count_Preset	TIMER2_MAX_COUNT [31:16]																00000000h	
		TIMER2_MAX_COUNT [15:0]																	
R311430 (4C086h)	Timer2_Start_and_Stop	0	0	0	0	0	0	0	0	0	0	0	0	0	0	0	0	0	00000000h
		0	0	0	0	0	0	0	0	0	0	0	0	TIMER2 STOP	0	0	0	TIMER2 START	
R311432 (4C088h)	Timer2_Status	0	0	0	0	0	0	0	0	0	0	0	0	0	0	0	0	0	00000000h
		0	0	0	0	0	0	0	0	0	0	0	0	0	0	0	0	TIMER2 RUNNING STS	
R311434 (4C08Ah)	Timer2_Count_Readback	TIMER2_CUR_COUNT [31:16]																00000000h	
		TIMER2_CUR_COUNT [15:0]																	
R311436 (4C08Ch)	Timer2_DSP_Clock_Config	TIMER2_DSPCLK_FREQ_SEL [15:0]																00000000h	
R311438 (4C08Eh)	Timer2_DSP_Clock_Status	TIMER2_DSPCLK_FREQ_STS [15:0]																00000000h	
R311552 (4C100h)	Timer3_Control	TIMER3_MAX_COUNT [31:16]																00000000h	
		TIMER3_MAX_COUNT [15:0]																	
		0	0	0	0	0	0	0	0	0	0	0	0	0	0	0	0	00000000h	
0	TIMER3_REFCLK_DIV [2:0]		0	TIMER3_REFCLK_FREQ_SEL [2:0]		0	0	0	0	TIMER3 CONTINU OUS	TIMER3 DIR	0	TIMER3_PRESCALE [2:0]						
		0	TIMER3_REFCLK_DIV [2:0]		0	TIMER3_REFCLK_FREQ_SEL [2:0]		0	0	0	0	0	TIMER3_REFCLK_SRC [3:0]						
R311554 (4C102h)	Timer3_Count_Preset	TIMER3_MAX_COUNT [31:16]																00000000h	
		TIMER3_MAX_COUNT [15:0]																	
R311558 (4C106h)	Timer3_Start_and_Stop	0	0	0	0	0	0	0	0	0	0	0	0	0	0	0	0	0	00000000h
		0	0	0	0	0	0	0	0	0	0	0	0	TIMER3 STOP	0	0	0	TIMER3 START	
R311560 (4C108h)	Timer3_Status	0	0	0	0	0	0	0	0	0	0	0	0	0	0	0	0	0	00000000h
		0	0	0	0	0	0	0	0	0	0	0	0	0	0	0	0	TIMER3 RUNNING STS	
R311562 (4C10Ah)	Timer3_Count_Readback	TIMER3_CUR_COUNT [31:16]																00000000h	
		TIMER3_CUR_COUNT [15:0]																	
R311564 (4C10Ch)	Timer3_DSP_Clock_Config	TIMER3_DSPCLK_FREQ_SEL [15:0]																00000000h	
R311566 (4C10Eh)	Timer3_DSP_Clock_Status	TIMER3_DSPCLK_FREQ_STS [15:0]																00000000h	
R311680 (4C180h)	Timer4_Control	TIMER4_MAX_COUNT [31:16]																00000000h	
		TIMER4_MAX_COUNT [15:0]																	
		0	0	0	0	0	0	0	0	0	0	0	0	0	0	0	0	00000000h	
0	TIMER4_REFCLK_DIV [2:0]		0	TIMER4_REFCLK_FREQ_SEL [2:0]		0	0	0	0	TIMER4 CONTINU OUS	TIMER4 DIR	0	TIMER4_PRESCALE [2:0]						
		0	TIMER4_REFCLK_DIV [2:0]		0	TIMER4_REFCLK_FREQ_SEL [2:0]		0	0	0	0	0	TIMER4_REFCLK_SRC [3:0]						
R311682 (4C182h)	Timer4_Count_Preset	TIMER4_MAX_COUNT [31:16]																00000000h	
		TIMER4_MAX_COUNT [15:0]																	
R311686 (4C186h)	Timer4_Start_and_Stop	0	0	0	0	0	0	0	0	0	0	0	0	0	0	0	0	0	00000000h
		0	0	0	0	0	0	0	0	0	0	0	0	TIMER4 STOP	0	0	0	TIMER4 START	
R311688 (4C188h)	Timer4_Status	0	0	0	0	0	0	0	0	0	0	0	0	0	0	0	0	0	00000000h
		0	0	0	0	0	0	0	0	0	0	0	0	0	0	0	0	TIMER4 RUNNING STS	
R311690 (4C18Ah)	Timer4_Count_Readback	TIMER4_CUR_COUNT [31:16]																00000000h	
		TIMER4_CUR_COUNT [15:0]																	
R311692 (4C18Ch)	Timer4_DSP_Clock_Config	TIMER4_DSPCLK_FREQ_SEL [15:0]																00000000h	

Table 6-2. Register Map Definition—32-bit region (Cont.)

Register	Name	31 15	30 14	29 13	28 12	27 11	26 10	25 9	24 8	23 7	22 6	21 5	20 4	19 3	18 2	17 1	16 0	Default
R311694 (4C18Eh)	Timer4_DSP_Clock_Status	0	0	0	0	0	0	0	0	0	0	0	0	0	0	0	0	0000000h
R311808 (4C200h)	Timer5_Control	TIMER4_DSPCLK_FREQ_STS [15:0]															0000000h	
		0	TIMER5_REFCLK_DIV [2:0]	0	TIMER5_REFCLK_FREQ_SEL [2:0]	0	0	0	0	0	TIMER5_CONTINUOUS	TIMER5_DIR	0	TIMER5_PRESCALE [2:0]				
R311810 (4C202h)	Timer5_Count_Preset	TIMER5_MAX_COUNT [31:16]															0000000h	
		TIMER5_MAX_COUNT [15:0]																
R311814 (4C206h)	Timer5_Start_and_Stop	0	0	0	0	0	0	0	0	0	0	0	0	0	0	0	0	0000000h
		0	0	0	0	0	0	0	0	0	0	0	0	TIMER5_STOP	0	0	0	TIMER5_START
R311816 (4C208h)	Timer5_Status	0	0	0	0	0	0	0	0	0	0	0	0	0	0	0	0	0000000h
		0	0	0	0	0	0	0	0	0	0	0	0	0	0	0	0	TIMER5_RUNNING_STS
R311818 (4C20Ah)	Timer5_Count_Readback	TIMER5_CUR_COUNT [31:16]															0000000h	
		TIMER5_CUR_COUNT [15:0]																
R311820 (4C20Ch)	Timer5_DSP_Clock_Config	0	0	0	0	0	0	0	0	0	0	0	0	0	0	0	0	0000000h
R311822 (4C20Eh)	Timer5_DSP_Clock_Status	TIMER5_DSPCLK_FREQ_SEL [15:0]															0000000h	
		TIMER5_DSPCLK_FREQ_STS [15:0]																
R311936 (4C280h)	Timer6_Control	0	0	0	0	0	0	0	0	0	0	0	TIMER6_CONTINUOUS	TIMER6_DIR	0	TIMER6_PRESCALE [2:0]	0000000h	
		0	TIMER6_REFCLK_DIV [2:0]	0	TIMER6_REFCLK_FREQ_SEL [2:0]	0	0	0	0	0	0	0	0	TIMER6_STOP	0	0	0	TIMER6_REFCLK_SRC [3:0]
R311938 (4C282h)	Timer6_Count_Preset	TIMER6_MAX_COUNT [31:16]															0000000h	
		TIMER6_MAX_COUNT [15:0]																
R311942 (4C286h)	Timer6_Start_and_Stop	0	0	0	0	0	0	0	0	0	0	0	0	0	0	0	0	0000000h
		0	0	0	0	0	0	0	0	0	0	0	0	0	TIMER6_STOP	0	0	0
R311944 (4C288h)	Timer6_Status	0	0	0	0	0	0	0	0	0	0	0	0	0	0	0	0	0000000h
		0	0	0	0	0	0	0	0	0	0	0	0	0	0	0	0	TIMER6_RUNNING_STS
R311946 (4C28Ah)	Timer6_Count_Readback	TIMER6_CUR_COUNT [31:16]															0000000h	
		TIMER6_CUR_COUNT [15:0]																
R311948 (4C28Ch)	Timer6_DSP_Clock_Config	0	0	0	0	0	0	0	0	0	0	0	0	0	0	0	0	0000000h
R311950 (4C28Eh)	Timer6_DSP_Clock_Status	TIMER6_DSPCLK_FREQ_SEL [15:0]															0000000h	
		TIMER6_DSPCLK_FREQ_STS [15:0]																
R312064 (4C300h)	Timer7_Control	0	0	0	0	0	0	0	0	0	0	0	TIMER7_CONTINUOUS	TIMER7_DIR	0	TIMER7_PRESCALE [2:0]	0000000h	
		0	TIMER7_REFCLK_DIV [2:0]	0	TIMER7_REFCLK_FREQ_SEL [2:0]	0	0	0	0	0	0	0	0	TIMER7_STOP	0	0	0	TIMER7_REFCLK_SRC [3:0]
R312066 (4C302h)	Timer7_Count_Preset	TIMER7_MAX_COUNT [31:16]															0000000h	
		TIMER7_MAX_COUNT [15:0]																
R312070 (4C306h)	Timer7_Start_and_Stop	0	0	0	0	0	0	0	0	0	0	0	0	0	0	0	0	0000000h
		0	0	0	0	0	0	0	0	0	0	0	0	0	TIMER7_STOP	0	0	0
R312072 (4C308h)	Timer7_Status	0	0	0	0	0	0	0	0	0	0	0	0	0	0	0	0	0000000h
		0	0	0	0	0	0	0	0	0	0	0	0	0	0	0	0	TIMER7_RUNNING_STS
R312074 (4C30Ah)	Timer7_Count_Readback	TIMER7_CUR_COUNT [31:16]															0000000h	
		TIMER7_CUR_COUNT [15:0]																
R312076 (4C30Ch)	Timer7_DSP_Clock_Config	0	0	0	0	0	0	0	0	0	0	0	0	0	0	0	0	0000000h
R312078 (4C30Eh)	Timer7_DSP_Clock_Status	TIMER7_DSPCLK_FREQ_SEL [15:0]															0000000h	
		TIMER7_DSPCLK_FREQ_STS [15:0]																
R312192 (4C380h)	Timer8_Control	0	0	0	0	0	0	0	0	0	0	0	TIMER8_CONTINUOUS	TIMER8_DIR	0	TIMER8_PRESCALE [2:0]	0000000h	
		0	TIMER8_REFCLK_DIV [2:0]	0	TIMER8_REFCLK_FREQ_SEL [2:0]	0	0	0	0	0	0	0	0	TIMER8_STOP	0	0	0	TIMER8_REFCLK_SRC [3:0]
R312194 (4C382h)	Timer8_Count_Preset	TIMER8_MAX_COUNT [31:16]															0000000h	
		TIMER8_MAX_COUNT [15:0]																
R312198 (4C386h)	Timer8_Start_and_Stop	0	0	0	0	0	0	0	0	0	0	0	0	0	0	0	0	0000000h
		0	0	0	0	0	0	0	0	0	0	0	0	0	TIMER8_STOP	0	0	0
R312200 (4C388h)	Timer8_Status	0	0	0	0	0	0	0	0	0	0	0	0	0	0	0	0	0000000h
		0	0	0	0	0	0	0	0	0	0	0	0	0	0	0	0	TIMER8_RUNNING_STS
R312202 (4C38Ah)	Timer8_Count_Readback	TIMER8_CUR_COUNT [31:16]															0000000h	
		TIMER8_CUR_COUNT [15:0]																
R312204 (4C38Ch)	Timer8_DSP_Clock_Config	0	0	0	0	0	0	0	0	0	0	0	0	0	0	0	0	0000000h
		TIMER8_DSPCLK_FREQ_SEL [15:0]																

Table 6-2. Register Map Definition—32-bit region (Cont.)

Register	Name	31 15	30 14	29 13	28 12	27 11	26 10	25 9	24 8	23 7	22 6	21 5	20 4	19 3	18 2	17 1	16 0	Default	
R312206 (4C38Eh)	Timer8_DSP_Clock_Status	0	0	0	0	0	0	0	0	0	0	0	0	0	0	0	0	0000000h	
R315392 (4D000h)	DSPGP_Status_1	TIMER8_DSPCLK_FREQ_STS [15:0]																00000000h	
R315394 (4D002h)	DSPGP_Status_2	0	0	0	0	0	0	0	0	0	0	0	0	0	0	0	0	00000000h	
R315424 (4D020h)	DSPGP_SET1_Mask_1	DSPGP32_SET1_MASK	DSPGP31_SET1_MASK	DSPGP30_SET1_MASK	DSPGP29_SET1_MASK	DSPGP28_SET1_MASK	DSPGP27_SET1_MASK	DSPGP26_SET1_MASK	DSPGP25_SET1_MASK	DSPGP24_SET1_MASK	DSPGP23_SET1_MASK	DSPGP22_SET1_MASK	DSPGP21_SET1_MASK	DSPGP20_SET1_MASK	DSPGP19_SET1_MASK	DSPGP18_SET1_MASK	DSPGP17_SET1_MASK	FFFFFFFFh	
R315426 (4D022h)	DSPGP_SET1_Mask_2	0	0	0	0	0	0	0	0	0	0	0	DSPGP38_SET1_MASK	DSPGP37_SET1_MASK	DSPGP36_SET1_MASK	DSPGP35_SET1_MASK	DSPGP34_SET1_MASK	DSPGP33_SET1_MASK	0000003Fh
R315432 (4D028h)	DSPGP_SET1_Direction_1	DSPGP32_SET1_DIR	DSPGP31_SET1_DIR	DSPGP30_SET1_DIR	DSPGP29_SET1_DIR	DSPGP28_SET1_DIR	DSPGP27_SET1_DIR	DSPGP26_SET1_DIR	DSPGP25_SET1_DIR	DSPGP24_SET1_DIR	DSPGP23_SET1_DIR	DSPGP22_SET1_DIR	DSPGP21_SET1_DIR	DSPGP20_SET1_DIR	DSPGP19_SET1_DIR	DSPGP18_SET1_DIR	DSPGP17_SET1_DIR	FFFFFFFFh	
R315434 (4D02Ah)	DSPGP_SET1_Direction_2	0	0	0	0	0	0	0	0	0	0	0	DSPGP38_SET1_DIR	DSPGP37_SET1_DIR	DSPGP36_SET1_DIR	DSPGP35_SET1_DIR	DSPGP34_SET1_DIR	DSPGP33_SET1_DIR	0000003Fh
R315440 (4D030h)	DSPGP_SET1_Level_1	DSPGP32_SET1_LVL	DSPGP31_SET1_LVL	DSPGP30_SET1_LVL	DSPGP29_SET1_LVL	DSPGP28_SET1_LVL	DSPGP27_SET1_LVL	DSPGP26_SET1_LVL	DSPGP25_SET1_LVL	DSPGP24_SET1_LVL	DSPGP23_SET1_LVL	DSPGP22_SET1_LVL	DSPGP21_SET1_LVL	DSPGP20_SET1_LVL	DSPGP19_SET1_LVL	DSPGP18_SET1_LVL	DSPGP17_SET1_LVL	00000000h	
R315442 (4D032h)	DSPGP_SET1_Level_2	0	0	0	0	0	0	0	0	0	0	0	DSPGP38_SET1_LVL	DSPGP37_SET1_LVL	DSPGP36_SET1_LVL	DSPGP35_SET1_LVL	DSPGP34_SET1_LVL	DSPGP33_SET1_LVL	00000000h
R315456 (4D040h)	DSPGP_SET2_Mask_1	DSPGP32_SET2_MASK	DSPGP31_SET2_MASK	DSPGP30_SET2_MASK	DSPGP29_SET2_MASK	DSPGP28_SET2_MASK	DSPGP27_SET2_MASK	DSPGP26_SET2_MASK	DSPGP25_SET2_MASK	DSPGP24_SET2_MASK	DSPGP23_SET2_MASK	DSPGP22_SET2_MASK	DSPGP21_SET2_MASK	DSPGP20_SET2_MASK	DSPGP19_SET2_MASK	DSPGP18_SET2_MASK	DSPGP17_SET2_MASK	FFFFFFFFh	
R315458 (4D042h)	DSPGP_SET2_Mask_2	0	0	0	0	0	0	0	0	0	0	0	DSPGP38_SET2_MASK	DSPGP37_SET2_MASK	DSPGP36_SET2_MASK	DSPGP35_SET2_MASK	DSPGP34_SET2_MASK	DSPGP33_SET2_MASK	0000003Fh
R315464 (4D048h)	DSPGP_SET2_Direction_1	DSPGP32_SET2_DIR	DSPGP31_SET2_DIR	DSPGP30_SET2_DIR	DSPGP29_SET2_DIR	DSPGP28_SET2_DIR	DSPGP27_SET2_DIR	DSPGP26_SET2_DIR	DSPGP25_SET2_DIR	DSPGP24_SET2_DIR	DSPGP23_SET2_DIR	DSPGP22_SET2_DIR	DSPGP21_SET2_DIR	DSPGP20_SET2_DIR	DSPGP19_SET2_DIR	DSPGP18_SET2_DIR	DSPGP17_SET2_DIR	FFFFFFFFh	
R315466 (4D04Ah)	DSPGP_SET2_Direction_2	0	0	0	0	0	0	0	0	0	0	0	DSPGP38_SET2_DIR	DSPGP37_SET2_DIR	DSPGP36_SET2_DIR	DSPGP35_SET2_DIR	DSPGP34_SET2_DIR	DSPGP33_SET2_DIR	0000003Fh
R315472 (4D050h)	DSPGP_SET2_Level_1	DSPGP32_SET2_LVL	DSPGP31_SET2_LVL	DSPGP30_SET2_LVL	DSPGP29_SET2_LVL	DSPGP28_SET2_LVL	DSPGP27_SET2_LVL	DSPGP26_SET2_LVL	DSPGP25_SET2_LVL	DSPGP24_SET2_LVL	DSPGP23_SET2_LVL	DSPGP22_SET2_LVL	DSPGP21_SET2_LVL	DSPGP20_SET2_LVL	DSPGP19_SET2_LVL	DSPGP18_SET2_LVL	DSPGP17_SET2_LVL	00000000h	
R315474 (4D052h)	DSPGP_SET2_Level_2	0	0	0	0	0	0	0	0	0	0	0	DSPGP38_SET2_LVL	DSPGP37_SET2_LVL	DSPGP36_SET2_LVL	DSPGP35_SET2_LVL	DSPGP34_SET2_LVL	DSPGP33_SET2_LVL	00000000h
R315488 (4D060h)	DSPGP_SET3_Mask_1	DSPGP32_SET3_MASK	DSPGP31_SET3_MASK	DSPGP30_SET3_MASK	DSPGP29_SET3_MASK	DSPGP28_SET3_MASK	DSPGP27_SET3_MASK	DSPGP26_SET3_MASK	DSPGP25_SET3_MASK	DSPGP24_SET3_MASK	DSPGP23_SET3_MASK	DSPGP22_SET3_MASK	DSPGP21_SET3_MASK	DSPGP20_SET3_MASK	DSPGP19_SET3_MASK	DSPGP18_SET3_MASK	DSPGP17_SET3_MASK	FFFFFFFFh	
R315490 (4D062h)	DSPGP_SET3_Mask_2	0	0	0	0	0	0	0	0	0	0	0	DSPGP38_SET3_MASK	DSPGP37_SET3_MASK	DSPGP36_SET3_MASK	DSPGP35_SET3_MASK	DSPGP34_SET3_MASK	DSPGP33_SET3_MASK	0000003Fh
R315496 (4D068h)	DSPGP_SET3_Direction_1	DSPGP32_SET3_DIR	DSPGP31_SET3_DIR	DSPGP30_SET3_DIR	DSPGP29_SET3_DIR	DSPGP28_SET3_DIR	DSPGP27_SET3_DIR	DSPGP26_SET3_DIR	DSPGP25_SET3_DIR	DSPGP24_SET3_DIR	DSPGP23_SET3_DIR	DSPGP22_SET3_DIR	DSPGP21_SET3_DIR	DSPGP20_SET3_DIR	DSPGP19_SET3_DIR	DSPGP18_SET3_DIR	DSPGP17_SET3_DIR	FFFFFFFFh	
R315498 (4D06Ah)	DSPGP_SET3_Direction_2	0	0	0	0	0	0	0	0	0	0	0	DSPGP38_SET3_DIR	DSPGP37_SET3_DIR	DSPGP36_SET3_DIR	DSPGP35_SET3_DIR	DSPGP34_SET3_DIR	DSPGP33_SET3_DIR	0000003Fh

Table 6-2. Register Map Definition—32-bit region (Cont.)

Register	Name	31 15	30 14	29 13	28 12	27 11	26 10	25 9	24 8	23 7	22 6	21 5	20 4	19 3	18 2	17 1	16 0	Default
R315504 (4D070h)	DSPGP_SET3_Level_1	DSPGP32_SET3_LVL	DSPGP31_SET3_LVL	DSPGP30_SET3_LVL	DSPGP29_SET3_LVL	DSPGP28_SET3_LVL	DSPGP27_SET3_LVL	DSPGP26_SET3_LVL	DSPGP25_SET3_LVL	DSPGP24_SET3_LVL	DSPGP23_SET3_LVL	DSPGP22_SET3_LVL	DSPGP21_SET3_LVL	DSPGP20_SET3_LVL	DSPGP19_SET3_LVL	DSPGP18_SET3_LVL	DSPGP17_SET3_LVL	0000000h
		DSPGP16_SET3_LVL	DSPGP15_SET3_LVL	DSPGP14_SET3_LVL	DSPGP13_SET3_LVL	DSPGP12_SET3_LVL	DSPGP11_SET3_LVL	DSPGP10_SET3_LVL	DSPGP9_SET3_LVL	DSPGP8_SET3_LVL	DSPGP7_SET3_LVL	DSPGP6_SET3_LVL	DSPGP5_SET3_LVL	DSPGP4_SET3_LVL	DSPGP3_SET3_LVL	DSPGP2_SET3_LVL	DSPGP1_SET3_LVL	
R315506 (4D072h)	DSPGP_SET3_Level_2	0	0	0	0	0	0	0	0	0	0	0	0	0	0	0	0	0000000h
		0	0	0	0	0	0	0	0	0	0	0	DSPGP38_SET3_LVL	DSPGP37_SET3_LVL	DSPGP36_SET3_LVL	DSPGP35_SET3_LVL	DSPGP34_SET3_LVL	
R315520 (4D080h)	DSPGP_SET4_Mask_1	DSPGP32_SET4_MASK	DSPGP31_SET4_MASK	DSPGP30_SET4_MASK	DSPGP29_SET4_MASK	DSPGP28_SET4_MASK	DSPGP27_SET4_MASK	DSPGP26_SET4_MASK	DSPGP25_SET4_MASK	DSPGP24_SET4_MASK	DSPGP23_SET4_MASK	DSPGP22_SET4_MASK	DSPGP21_SET4_MASK	DSPGP20_SET4_MASK	DSPGP19_SET4_MASK	DSPGP18_SET4_MASK	DSPGP17_SET4_MASK	FFFFFFFFh
		DSPGP16_SET4_MASK	DSPGP15_SET4_MASK	DSPGP14_SET4_MASK	DSPGP13_SET4_MASK	DSPGP12_SET4_MASK	DSPGP11_SET4_MASK	DSPGP10_SET4_MASK	DSPGP9_SET4_MASK	DSPGP8_SET4_MASK	DSPGP7_SET4_MASK	DSPGP6_SET4_MASK	DSPGP5_SET4_MASK	DSPGP4_SET4_MASK	DSPGP3_SET4_MASK	DSPGP2_SET4_MASK	DSPGP1_SET4_MASK	
R315522 (4D082h)	DSPGP_SET4_Mask_2	0	0	0	0	0	0	0	0	0	0	0	0	0	0	0	0	000003Fh
		0	0	0	0	0	0	0	0	0	0	0	DSPGP38_SET4_MASK	DSPGP37_SET4_MASK	DSPGP36_SET4_MASK	DSPGP35_SET4_MASK	DSPGP34_SET4_MASK	
R315528 (4D088h)	DSPGP_SET4_Direction_1	DSPGP32_SET4_DIR	DSPGP31_SET4_DIR	DSPGP30_SET4_DIR	DSPGP29_SET4_DIR	DSPGP28_SET4_DIR	DSPGP27_SET4_DIR	DSPGP26_SET4_DIR	DSPGP25_SET4_DIR	DSPGP24_SET4_DIR	DSPGP23_SET4_DIR	DSPGP22_SET4_DIR	DSPGP21_SET4_DIR	DSPGP20_SET4_DIR	DSPGP19_SET4_DIR	DSPGP18_SET4_DIR	DSPGP17_SET4_DIR	FFFFFFFFh
		DSPGP16_SET4_DIR	DSPGP15_SET4_DIR	DSPGP14_SET4_DIR	DSPGP13_SET4_DIR	DSPGP12_SET4_DIR	DSPGP11_SET4_DIR	DSPGP10_SET4_DIR	DSPGP9_SET4_DIR	DSPGP8_SET4_DIR	DSPGP7_SET4_DIR	DSPGP6_SET4_DIR	DSPGP5_SET4_DIR	DSPGP4_SET4_DIR	DSPGP3_SET4_DIR	DSPGP2_SET4_DIR	DSPGP1_SET4_DIR	
R315530 (4D08Ah)	DSPGP_SET4_Direction_2	0	0	0	0	0	0	0	0	0	0	0	0	0	0	0	0	000003Fh
		0	0	0	0	0	0	0	0	0	0	0	DSPGP38_SET4_DIR	DSPGP37_SET4_DIR	DSPGP36_SET4_DIR	DSPGP35_SET4_DIR	DSPGP34_SET4_DIR	
R315536 (4D090h)	DSPGP_SET4_Level_1	DSPGP32_SET4_LVL	DSPGP31_SET4_LVL	DSPGP30_SET4_LVL	DSPGP29_SET4_LVL	DSPGP28_SET4_LVL	DSPGP27_SET4_LVL	DSPGP26_SET4_LVL	DSPGP25_SET4_LVL	DSPGP24_SET4_LVL	DSPGP23_SET4_LVL	DSPGP22_SET4_LVL	DSPGP21_SET4_LVL	DSPGP20_SET4_LVL	DSPGP19_SET4_LVL	DSPGP18_SET4_LVL	DSPGP17_SET4_LVL	0000000h
		DSPGP16_SET4_LVL	DSPGP15_SET4_LVL	DSPGP14_SET4_LVL	DSPGP13_SET4_LVL	DSPGP12_SET4_LVL	DSPGP11_SET4_LVL	DSPGP10_SET4_LVL	DSPGP9_SET4_LVL	DSPGP8_SET4_LVL	DSPGP7_SET4_LVL	DSPGP6_SET4_LVL	DSPGP5_SET4_LVL	DSPGP4_SET4_LVL	DSPGP3_SET4_LVL	DSPGP2_SET4_LVL	DSPGP1_SET4_LVL	
R315538 (4D092h)	DSPGP_SET4_Level_2	0	0	0	0	0	0	0	0	0	0	0	0	0	0	0	0	0000000h
		0	0	0	0	0	0	0	0	0	0	0	DSPGP38_SET4_LVL	DSPGP37_SET4_LVL	DSPGP36_SET4_LVL	DSPGP35_SET4_LVL	DSPGP34_SET4_LVL	
R315552 (4D0A0h)	DSPGP_SET5_Mask_1	DSPGP32_SET5_MASK	DSPGP31_SET5_MASK	DSPGP30_SET5_MASK	DSPGP29_SET5_MASK	DSPGP28_SET5_MASK	DSPGP27_SET5_MASK	DSPGP26_SET5_MASK	DSPGP25_SET5_MASK	DSPGP24_SET5_MASK	DSPGP23_SET5_MASK	DSPGP22_SET5_MASK	DSPGP21_SET5_MASK	DSPGP20_SET5_MASK	DSPGP19_SET5_MASK	DSPGP18_SET5_MASK	DSPGP17_SET5_MASK	FFFFFFFFh
		DSPGP16_SET5_MASK	DSPGP15_SET5_MASK	DSPGP14_SET5_MASK	DSPGP13_SET5_MASK	DSPGP12_SET5_MASK	DSPGP11_SET5_MASK	DSPGP10_SET5_MASK	DSPGP9_SET5_MASK	DSPGP8_SET5_MASK	DSPGP7_SET5_MASK	DSPGP6_SET5_MASK	DSPGP5_SET5_MASK	DSPGP4_SET5_MASK	DSPGP3_SET5_MASK	DSPGP2_SET5_MASK	DSPGP1_SET5_MASK	
R315554 (4D0A2h)	DSPGP_SET5_Mask_2	0	0	0	0	0	0	0	0	0	0	0	0	0	0	0	0	000003Fh
		0	0	0	0	0	0	0	0	0	0	0	DSPGP38_SET5_MASK	DSPGP37_SET5_MASK	DSPGP36_SET5_MASK	DSPGP35_SET5_MASK	DSPGP34_SET5_MASK	
R315560 (4D0A8h)	DSPGP_SET5_Direction_1	DSPGP32_SET5_DIR	DSPGP31_SET5_DIR	DSPGP30_SET5_DIR	DSPGP29_SET5_DIR	DSPGP28_SET5_DIR	DSPGP27_SET5_DIR	DSPGP26_SET5_DIR	DSPGP25_SET5_DIR	DSPGP24_SET5_DIR	DSPGP23_SET5_DIR	DSPGP22_SET5_DIR	DSPGP21_SET5_DIR	DSPGP20_SET5_DIR	DSPGP19_SET5_DIR	DSPGP18_SET5_DIR	DSPGP17_SET5_DIR	FFFFFFFFh
		DSPGP16_SET5_DIR	DSPGP15_SET5_DIR	DSPGP14_SET5_DIR	DSPGP13_SET5_DIR	DSPGP12_SET5_DIR	DSPGP11_SET5_DIR	DSPGP10_SET5_DIR	DSPGP9_SET5_DIR	DSPGP8_SET5_DIR	DSPGP7_SET5_DIR	DSPGP6_SET5_DIR	DSPGP5_SET5_DIR	DSPGP4_SET5_DIR	DSPGP3_SET5_DIR	DSPGP2_SET5_DIR	DSPGP1_SET5_DIR	
R315562 (4D0AAh)	DSPGP_SET5_Direction_2	0	0	0	0	0	0	0	0	0	0	0	0	0	0	0	0	000003Fh
		0	0	0	0	0	0	0	0	0	0	0	DSPGP38_SET5_DIR	DSPGP37_SET5_DIR	DSPGP36_SET5_DIR	DSPGP35_SET5_DIR	DSPGP34_SET5_DIR	
R315568 (4D0B0h)	DSPGP_SET5_Level_1	DSPGP32_SET5_LVL	DSPGP31_SET5_LVL	DSPGP30_SET5_LVL	DSPGP29_SET5_LVL	DSPGP28_SET5_LVL	DSPGP27_SET5_LVL	DSPGP26_SET5_LVL	DSPGP25_SET5_LVL	DSPGP24_SET5_LVL	DSPGP23_SET5_LVL	DSPGP22_SET5_LVL	DSPGP21_SET5_LVL	DSPGP20_SET5_LVL	DSPGP19_SET5_LVL	DSPGP18_SET5_LVL	DSPGP17_SET5_LVL	0000000h
		DSPGP16_SET5_LVL	DSPGP15_SET5_LVL	DSPGP14_SET5_LVL	DSPGP13_SET5_LVL	DSPGP12_SET5_LVL	DSPGP11_SET5_LVL	DSPGP10_SET5_LVL	DSPGP9_SET5_LVL	DSPGP8_SET5_LVL	DSPGP7_SET5_LVL	DSPGP6_SET5_LVL	DSPGP5_SET5_LVL	DSPGP4_SET5_LVL	DSPGP3_SET5_LVL	DSPGP2_SET5_LVL	DSPGP1_SET5_LVL	
R315570 (4D0B2h)	DSPGP_SET5_Level_2	0	0	0	0	0	0	0	0	0	0	0	0	0	0	0	0	0000000h
		0	0	0	0	0	0	0	0	0	0	0	DSPGP38_SET5_LVL	DSPGP37_SET5_LVL	DSPGP36_SET5_LVL	DSPGP35_SET5_LVL	DSPGP34_SET5_LVL	
R315584 (4D0C0h)	DSPGP_SET6_Mask_1	DSPGP32_SET6_MASK	DSPGP31_SET6_MASK	DSPGP30_SET6_MASK	DSPGP29_SET6_MASK	DSPGP28_SET6_MASK	DSPGP27_SET6_MASK	DSPGP26_SET6_MASK	DSPGP25_SET6_MASK	DSPGP24_SET6_MASK	DSPGP23_SET6_MASK	DSPGP22_SET6_MASK	DSPGP21_SET6_MASK	DSPGP20_SET6_MASK	DSPGP19_SET6_MASK	DSPGP18_SET6_MASK	DSPGP17_SET6_MASK	FFFFFFFFh
		DSPGP16_SET6_MASK	DSPGP15_SET6_MASK	DSPGP14_SET6_MASK	DSPGP13_SET6_MASK	DSPGP12_SET6_MASK	DSPGP11_SET6_MASK	DSPGP10_SET6_MASK	DSPGP9_SET6_MASK	DSPGP8_SET6_MASK	DSPGP7_SET6_MASK	DSPGP6_SET6_MASK	DSPGP5_SET6_MASK	DSPGP4_SET6_MASK	DSPGP3_SET6_MASK	DSPGP2_SET6_MASK	DSPGP1_SET6_MASK	
R315586 (4D0C2h)	DSPGP_SET6_Mask_2	0	0	0	0	0	0	0	0	0	0	0	0	0	0	0	0	000003Fh
		0	0	0	0	0	0	0	0	0	0	0	DSPGP38_SET6_MASK	DSPGP37_SET6_MASK	DSPGP36_SET6_MASK	DSPGP35_SET6_MASK	DSPGP34_SET6_MASK	
R315592 (4D0C8h)	DSPGP_SET6_Direction_1	DSPGP32_SET6_DIR	DSPGP31_SET6_DIR	DSPGP30_SET6_DIR	DSPGP29_SET6_DIR	DSPGP28_SET6_DIR	DSPGP27_SET6_DIR	DSPGP26_SET6_DIR	DSPGP25_SET6_DIR	DSPGP24_SET6_DIR	DSPGP23_SET6_DIR	DSPGP22_SET6_DIR	DSPGP21_SET6_DIR	DSPGP20_SET6_DIR	DSPGP19_SET6_DIR	DSPGP18_SET6_DIR	DSPGP17_SET6_DIR	FFFFFFFFh
		DSPGP16_SET6_DIR	DSPGP15_SET6_DIR	DSPGP14_SET6_DIR	DSPGP13_SET6_DIR	DSPGP12_SET6_DIR	DSPGP11_SET6_DIR	DSPGP10_SET6_DIR	DSPGP9_SET6_DIR	DSPGP8_SET6_DIR	DSPGP7_SET6_DIR	DSPGP6_SET6_DIR	DSPGP5_SET6_DIR	DSPGP4_SET6_DIR	DSPGP3_SET6_DIR	DSPGP2_SET6_DIR	DSPGP1_SET6_DIR	
R315594 (4D0CAh)	DSPGP_SET6_Direction_2	0	0	0	0	0	0	0	0	0	0	0	0	0	0	0	0	000003Fh
		0	0	0	0	0	0	0	0	0	0	0	DSPGP38_SET6_DIR	DSPGP37_SET6_DIR	DSPGP36_SET6_DIR	DSPGP35_SET6_DIR	DSPGP34_SET6_DIR	

Table 6-2. Register Map Definition—32-bit region (Cont.)

Register	Name	31 15	30 14	29 13	28 12	27 11	26 10	25 9	24 8	23 7	22 6	21 5	20 4	19 3	18 2	17 1	16 0	Default
R315600 (4D0D0h)	DSPGP_SET6_Level_1	DSPGP32_SET6_LVL	DSPGP31_SET6_LVL	DSPGP30_SET6_LVL	DSPGP29_SET6_LVL	DSPGP28_SET6_LVL	DSPGP27_SET6_LVL	DSPGP26_SET6_LVL	DSPGP25_SET6_LVL	DSPGP24_SET6_LVL	DSPGP23_SET6_LVL	DSPGP22_SET6_LVL	DSPGP21_SET6_LVL	DSPGP20_SET6_LVL	DSPGP19_SET6_LVL	DSPGP18_SET6_LVL	DSPGP17_SET6_LVL	0000000h
		DSPGP16_SET6_LVL	DSPGP15_SET6_LVL	DSPGP14_SET6_LVL	DSPGP13_SET6_LVL	DSPGP12_SET6_LVL	DSPGP11_SET6_LVL	DSPGP10_SET6_LVL	DSPGP9_SET6_LVL	DSPGP8_SET6_LVL	DSPGP7_SET6_LVL	DSPGP6_SET6_LVL	DSPGP5_SET6_LVL	DSPGP4_SET6_LVL	DSPGP3_SET6_LVL	DSPGP2_SET6_LVL	DSPGP1_SET6_LVL	DSPGP0_SET6_LVL
R315602 (4D0D2h)	DSPGP_SET6_Level_2	0	0	0	0	0	0	0	0	0	0	0	0	0	0	0	0	0000000h
		0	0	0	0	0	0	0	0	0	0	0	DSPGP38_SET6_LVL	DSPGP37_SET6_LVL	DSPGP36_SET6_LVL	DSPGP35_SET6_LVL	DSPGP34_SET6_LVL	DSPGP33_SET6_LVL
R315616 (4D0E0h)	DSPGP_SET7_Mask_1	DSPGP32_SET7_MASK	DSPGP31_SET7_MASK	DSPGP30_SET7_MASK	DSPGP29_SET7_MASK	DSPGP28_SET7_MASK	DSPGP27_SET7_MASK	DSPGP26_SET7_MASK	DSPGP25_SET7_MASK	DSPGP24_SET7_MASK	DSPGP23_SET7_MASK	DSPGP22_SET7_MASK	DSPGP21_SET7_MASK	DSPGP20_SET7_MASK	DSPGP19_SET7_MASK	DSPGP18_SET7_MASK	DSPGP17_SET7_MASK	FFFFFFFFh
		DSPGP16_SET7_MASK	DSPGP15_SET7_MASK	DSPGP14_SET7_MASK	DSPGP13_SET7_MASK	DSPGP12_SET7_MASK	DSPGP11_SET7_MASK	DSPGP10_SET7_MASK	DSPGP9_SET7_MASK	DSPGP8_SET7_MASK	DSPGP7_SET7_MASK	DSPGP6_SET7_MASK	DSPGP5_SET7_MASK	DSPGP4_SET7_MASK	DSPGP3_SET7_MASK	DSPGP2_SET7_MASK	DSPGP1_SET7_MASK	DSPGP0_SET7_MASK
R315618 (4D0E2h)	DSPGP_SET7_Mask_2	0	0	0	0	0	0	0	0	0	0	0	0	0	0	0	0	000003Fh
		0	0	0	0	0	0	0	0	0	0	0	DSPGP38_SET7_MASK	DSPGP37_SET7_MASK	DSPGP36_SET7_MASK	DSPGP35_SET7_MASK	DSPGP34_SET7_MASK	DSPGP33_SET7_MASK
R315624 (4D0E8h)	DSPGP_SET7_Direction_1	DSPGP32_SET7_DIR	DSPGP31_SET7_DIR	DSPGP30_SET7_DIR	DSPGP29_SET7_DIR	DSPGP28_SET7_DIR	DSPGP27_SET7_DIR	DSPGP26_SET7_DIR	DSPGP25_SET7_DIR	DSPGP24_SET7_DIR	DSPGP23_SET7_DIR	DSPGP22_SET7_DIR	DSPGP21_SET7_DIR	DSPGP20_SET7_DIR	DSPGP19_SET7_DIR	DSPGP18_SET7_DIR	DSPGP17_SET7_DIR	FFFFFFFFh
		DSPGP16_SET7_DIR	DSPGP15_SET7_DIR	DSPGP14_SET7_DIR	DSPGP13_SET7_DIR	DSPGP12_SET7_DIR	DSPGP11_SET7_DIR	DSPGP10_SET7_DIR	DSPGP9_SET7_DIR	DSPGP8_SET7_DIR	DSPGP7_SET7_DIR	DSPGP6_SET7_DIR	DSPGP5_SET7_DIR	DSPGP4_SET7_DIR	DSPGP3_SET7_DIR	DSPGP2_SET7_DIR	DSPGP1_SET7_DIR	DSPGP0_SET7_DIR
R315626 (4D0EAh)	DSPGP_SET7_Direction_2	0	0	0	0	0	0	0	0	0	0	0	0	0	0	0	0	000003Fh
		0	0	0	0	0	0	0	0	0	0	0	DSPGP38_SET7_DIR	DSPGP37_SET7_DIR	DSPGP36_SET7_DIR	DSPGP35_SET7_DIR	DSPGP34_SET7_DIR	DSPGP33_SET7_DIR
R315632 (4D0F0h)	DSPGP_SET7_Level_1	DSPGP32_SET7_LVL	DSPGP31_SET7_LVL	DSPGP30_SET7_LVL	DSPGP29_SET7_LVL	DSPGP28_SET7_LVL	DSPGP27_SET7_LVL	DSPGP26_SET7_LVL	DSPGP25_SET7_LVL	DSPGP24_SET7_LVL	DSPGP23_SET7_LVL	DSPGP22_SET7_LVL	DSPGP21_SET7_LVL	DSPGP20_SET7_LVL	DSPGP19_SET7_LVL	DSPGP18_SET7_LVL	DSPGP17_SET7_LVL	0000000h
		DSPGP16_SET7_LVL	DSPGP15_SET7_LVL	DSPGP14_SET7_LVL	DSPGP13_SET7_LVL	DSPGP12_SET7_LVL	DSPGP11_SET7_LVL	DSPGP10_SET7_LVL	DSPGP9_SET7_LVL	DSPGP8_SET7_LVL	DSPGP7_SET7_LVL	DSPGP6_SET7_LVL	DSPGP5_SET7_LVL	DSPGP4_SET7_LVL	DSPGP3_SET7_LVL	DSPGP2_SET7_LVL	DSPGP1_SET7_LVL	DSPGP0_SET7_LVL
R315634 (4D0F2h)	DSPGP_SET7_Level_2	0	0	0	0	0	0	0	0	0	0	0	0	0	0	0	0	0000000h
		0	0	0	0	0	0	0	0	0	0	0	DSPGP38_SET7_LVL	DSPGP37_SET7_LVL	DSPGP36_SET7_LVL	DSPGP35_SET7_LVL	DSPGP34_SET7_LVL	DSPGP33_SET7_LVL
R315648 (4D100h)	DSPGP_SET8_Mask_1	DSPGP32_SET8_MASK	DSPGP31_SET8_MASK	DSPGP30_SET8_MASK	DSPGP29_SET8_MASK	DSPGP28_SET8_MASK	DSPGP27_SET8_MASK	DSPGP26_SET8_MASK	DSPGP25_SET8_MASK	DSPGP24_SET8_MASK	DSPGP23_SET8_MASK	DSPGP22_SET8_MASK	DSPGP21_SET8_MASK	DSPGP20_SET8_MASK	DSPGP19_SET8_MASK	DSPGP18_SET8_MASK	DSPGP17_SET8_MASK	FFFFFFFFh
		DSPGP16_SET8_MASK	DSPGP15_SET8_MASK	DSPGP14_SET8_MASK	DSPGP13_SET8_MASK	DSPGP12_SET8_MASK	DSPGP11_SET8_MASK	DSPGP10_SET8_MASK	DSPGP9_SET8_MASK	DSPGP8_SET8_MASK	DSPGP7_SET8_MASK	DSPGP6_SET8_MASK	DSPGP5_SET8_MASK	DSPGP4_SET8_MASK	DSPGP3_SET8_MASK	DSPGP2_SET8_MASK	DSPGP1_SET8_MASK	DSPGP0_SET8_MASK
R315650 (4D102h)	DSPGP_SET8_Mask_2	0	0	0	0	0	0	0	0	0	0	0	0	0	0	0	0	000003Fh
		0	0	0	0	0	0	0	0	0	0	0	DSPGP38_SET8_MASK	DSPGP37_SET8_MASK	DSPGP36_SET8_MASK	DSPGP35_SET8_MASK	DSPGP34_SET8_MASK	DSPGP33_SET8_MASK
R315656 (4D108h)	DSPGP_SET8_Direction_1	DSPGP32_SET8_DIR	DSPGP31_SET8_DIR	DSPGP30_SET8_DIR	DSPGP29_SET8_DIR	DSPGP28_SET8_DIR	DSPGP27_SET8_DIR	DSPGP26_SET8_DIR	DSPGP25_SET8_DIR	DSPGP24_SET8_DIR	DSPGP23_SET8_DIR	DSPGP22_SET8_DIR	DSPGP21_SET8_DIR	DSPGP20_SET8_DIR	DSPGP19_SET8_DIR	DSPGP18_SET8_DIR	DSPGP17_SET8_DIR	FFFFFFFFh
		DSPGP16_SET8_DIR	DSPGP15_SET8_DIR	DSPGP14_SET8_DIR	DSPGP13_SET8_DIR	DSPGP12_SET8_DIR	DSPGP11_SET8_DIR	DSPGP10_SET8_DIR	DSPGP9_SET8_DIR	DSPGP8_SET8_DIR	DSPGP7_SET8_DIR	DSPGP6_SET8_DIR	DSPGP5_SET8_DIR	DSPGP4_SET8_DIR	DSPGP3_SET8_DIR	DSPGP2_SET8_DIR	DSPGP1_SET8_DIR	DSPGP0_SET8_DIR
R315658 (4D10Ah)	DSPGP_SET8_Direction_2	0	0	0	0	0	0	0	0	0	0	0	0	0	0	0	0	000003Fh
		0	0	0	0	0	0	0	0	0	0	0	DSPGP38_SET8_DIR	DSPGP37_SET8_DIR	DSPGP36_SET8_DIR	DSPGP35_SET8_DIR	DSPGP34_SET8_DIR	DSPGP33_SET8_DIR
R315664 (4D110h)	DSPGP_SET8_Level_1	DSPGP32_SET8_LVL	DSPGP31_SET8_LVL	DSPGP30_SET8_LVL	DSPGP29_SET8_LVL	DSPGP28_SET8_LVL	DSPGP27_SET8_LVL	DSPGP26_SET8_LVL	DSPGP25_SET8_LVL	DSPGP24_SET8_LVL	DSPGP23_SET8_LVL	DSPGP22_SET8_LVL	DSPGP21_SET8_LVL	DSPGP20_SET8_LVL	DSPGP19_SET8_LVL	DSPGP18_SET8_LVL	DSPGP17_SET8_LVL	0000000h
		DSPGP16_SET8_LVL	DSPGP15_SET8_LVL	DSPGP14_SET8_LVL	DSPGP13_SET8_LVL	DSPGP12_SET8_LVL	DSPGP11_SET8_LVL	DSPGP10_SET8_LVL	DSPGP9_SET8_LVL	DSPGP8_SET8_LVL	DSPGP7_SET8_LVL	DSPGP6_SET8_LVL	DSPGP5_SET8_LVL	DSPGP4_SET8_LVL	DSPGP3_SET8_LVL	DSPGP2_SET8_LVL	DSPGP1_SET8_LVL	DSPGP0_SET8_LVL
R315666 (4D112h)	DSPGP_SET8_Level_2	0	0	0	0	0	0	0	0	0	0	0	0	0	0	0	0	0000000h
		0	0	0	0	0	0	0	0	0	0	0	DSPGP38_SET8_LVL	DSPGP37_SET8_LVL	DSPGP36_SET8_LVL	DSPGP35_SET8_LVL	DSPGP34_SET8_LVL	DSPGP33_SET8_LVL
R327680 (50000h)	RA_MIF_Thread_Ctrl_1	0	0	0	0	0	0	0	0	0	0	0	0	0	0	0	0	0000007h
R327684 (50004h)	RA_MIF_Thread_Ctrl_2	0	0	0	0	0	0	0	0	0	0	0	0	0	0	0	0	0000000h
R327688 (50008h)	RA_MIF_Thread_Ctrl_3	0	0	0	0	0	0	0	0	0	0	0	0	0	0	0	0	0000003h
R327696 (50010h)	RA_MIF1_Thread_Ctrl_1	0	0	0	0	0	0	0	0	0	0	0	0	0	0	0	0	0000000h
R327698 (50012h)	RA_MIF1_Thread_Ctrl_2	0	0	0	0	0	0	0	0	0	0	0	0	0	0	0	0	0000000h
R327700 (50014h)	RA_MIF1_Thread_Ctrl_3	0	0	0	0	0	0	0	0	0	0	0	0	0	0	0	0	0000000h
R327702 (50016h)	RA_MIF1_Thread_Ctrl_4	0	0	0	0	0	0	0	0	0	0	0	0	0	0	0	0	0000001h

Table 6-2. Register Map Definition—32-bit region (Cont.)

Register	Name	31 15	30 14	29 13	28 12	27 11	26 10	25 9	24 8	23 7	22 6	21 5	20 4	19 3	18 2	17 1	16 0	Default	
R327704 (50018h)	RA_MIF1_Thread_Ctrl_Debug_1	RA_MIF1_IN_USE_DBG0 [31:16]																00000000h	
		RA_MIF1_IN_USE_DBG0 [15:0]																	
R327712 (50020h)	RA_MIF2_Thread_Ctrl_1	0	0	0	0	0	0	0	0	0	0	0	0	0	0	0	0	RA_MIF2_OWNER [4:0]	00000000h
		RA_MIF2_IN_USE_STS	RA_MIF2_SHARE	0	0	0	0	0	0	0	0	0	0	0	0	0	0		
R327714 (50022h)	RA_MIF2_Thread_Ctrl_2	0	0	0	0	0	0	0	0	0	0	0	0	0	0	0	0	RA_MIF2_IN_USE_SET [4:0]	00000000h
		0	0	0	0	0	0	0	0	0	0	0	0	0	0	0	0		
R327716 (50024h)	RA_MIF2_Thread_Ctrl_3	0	0	0	0	0	0	0	0	0	0	0	0	0	0	0	0	RA_MIF2_IN_USE_CLR [4:0]	00000000h
		0	0	0	0	0	0	0	0	0	0	0	0	0	0	0	0		
R327718 (50026h)	RA_MIF2_Thread_Ctrl_4	0	0	0	0	0	0	0	0	0	0	0	0	0	0	0	0	RA_MIF2_CAP_I2C	00000001h
		0	0	0	0	0	0	0	0	0	0	0	0	0	0	0	0		
R327720 (50028h)	RA_MIF2_Thread_Ctrl_Debug_1	RA_MIF2_IN_USE_DBG0 [31:16]																00000000h	
		RA_MIF2_IN_USE_DBG0 [15:0]																	
R327728 (50030h)	RA_MIF3_Thread_Ctrl_1	0	0	0	0	0	0	0	0	0	0	0	0	0	0	0	0	RA_MIF3_OWNER [4:0]	00000000h
		RA_MIF3_IN_USE_STS	RA_MIF3_SHARE	0	0	0	0	0	0	0	0	0	0	0	0	0	0		
R327730 (50032h)	RA_MIF3_Thread_Ctrl_2	0	0	0	0	0	0	0	0	0	0	0	0	0	0	0	0	RA_MIF3_IN_USE_SET [4:0]	00000000h
		0	0	0	0	0	0	0	0	0	0	0	0	0	0	0	0		
R327732 (50034h)	RA_MIF3_Thread_Ctrl_3	0	0	0	0	0	0	0	0	0	0	0	0	0	0	0	0	RA_MIF3_IN_USE_CLR [4:0]	00000000h
		0	0	0	0	0	0	0	0	0	0	0	0	0	0	0	0		
R327734 (50036h)	RA_MIF3_Thread_Ctrl_4	0	0	0	0	0	0	0	0	0	0	0	0	0	0	0	0	RA_MIF3_CAP_I2C	00000001h
		0	0	0	0	0	0	0	0	0	0	0	0	0	0	0	0		
R327736 (50038h)	RA_MIF3_Thread_Ctrl_Debug_1	RA_MIF3_IN_USE_DBG0 [31:16]																00000000h	
		RA_MIF3_IN_USE_DBG0 [15:0]																	
R328704 (50400h)	RA_EVENTLOG_Thread_Ctrl_1	0	0	0	0	0	0	0	0	0	0	0	0	0	0	0	0	RA_EVENTLOG_STS [7:0]	000000FFh
		0	0	0	0	0	0	0	0	0	0	0	0	0	0	0	0		
R328708 (50404h)	RA_EVENTLOG_Thread_Ctrl_2	0	0	0	0	0	0	0	0	0	0	0	0	0	0	0	0	RA_EVENTLOG_SHARE_STS [7:0]	00000000h
		0	0	0	0	0	0	0	0	0	0	0	0	0	0	0	0		
R328712 (50408h)	RA_EVENTLOG_Thread_Ctrl_3	0	0	0	0	0	0	0	0	0	0	0	0	0	0	0	0	RA_EVENTLOG_NUM [5:0]	00000008h
		0	0	0	0	0	0	0	0	0	0	0	0	0	0	0	0		
R328720 (50410h)	RA_EVENTLOG1_Thread_Ctrl_1	0	0	0	0	0	0	0	0	0	0	0	0	0	0	0	0	RA_EVENTLOG1_OWNER [4:0]	00000000h
		RA_EVENTLOG1_IN_USE_STS	RA_EVENTLOG1_SHARE	0	0	0	0	0	0	0	0	0	0	0	0	0	0		
R328722 (50412h)	RA_EVENTLOG1_Thread_Ctrl_2	0	0	0	0	0	0	0	0	0	0	0	0	0	0	0	0	RA_EVENTLOG1_IN_USE_SET [4:0]	00000000h
		0	0	0	0	0	0	0	0	0	0	0	0	0	0	0	0		
R328724 (50414h)	RA_EVENTLOG1_Thread_Ctrl_3	0	0	0	0	0	0	0	0	0	0	0	0	0	0	0	0	RA_EVENTLOG1_IN_USE_CLR [4:0]	00000000h
		0	0	0	0	0	0	0	0	0	0	0	0	0	0	0	0		
R328728 (50418h)	RA_EVENTLOG1_Thread_Ctrl_Debug_1	RA_EVENTLOG1_IN_USE_DBG0 [31:16]																00000000h	
		RA_EVENTLOG1_IN_USE_DBG0 [15:0]																	
R328736 (50420h)	RA_EVENTLOG2_Thread_Ctrl_1	0	0	0	0	0	0	0	0	0	0	0	0	0	0	0	0	RA_EVENTLOG2_OWNER [4:0]	00000000h
		RA_EVENTLOG2_IN_USE_STS	RA_EVENTLOG2_SHARE	0	0	0	0	0	0	0	0	0	0	0	0	0	0		
R328738 (50422h)	RA_EVENTLOG2_Thread_Ctrl_2	0	0	0	0	0	0	0	0	0	0	0	0	0	0	0	0	RA_EVENTLOG2_IN_USE_SET [4:0]	00000000h
		0	0	0	0	0	0	0	0	0	0	0	0	0	0	0	0		
R328740 (50424h)	RA_EVENTLOG2_Thread_Ctrl_3	0	0	0	0	0	0	0	0	0	0	0	0	0	0	0	0	RA_EVENTLOG2_IN_USE_CLR [4:0]	00000000h
		0	0	0	0	0	0	0	0	0	0	0	0	0	0	0	0		
R328744 (50428h)	RA_EVENTLOG2_Thread_Ctrl_Debug_1	RA_EVENTLOG2_IN_USE_DBG0 [31:16]																00000000h	
		RA_EVENTLOG2_IN_USE_DBG0 [15:0]																	
R328752 (50430h)	RA_EVENTLOG3_Thread_Ctrl_1	0	0	0	0	0	0	0	0	0	0	0	0	0	0	0	0	RA_EVENTLOG3_OWNER [4:0]	00000000h
		RA_EVENTLOG3_IN_USE_STS	RA_EVENTLOG3_SHARE	0	0	0	0	0	0	0	0	0	0	0	0	0	0		
R328754 (50432h)	RA_EVENTLOG3_Thread_Ctrl_2	0	0	0	0	0	0	0	0	0	0	0	0	0	0	0	0	RA_EVENTLOG3_IN_USE_SET [4:0]	00000000h
		0	0	0	0	0	0	0	0	0	0	0	0	0	0	0	0		
R328756 (50434h)	RA_EVENTLOG3_Thread_Ctrl_3	0	0	0	0	0	0	0	0	0	0	0	0	0	0	0	0	RA_EVENTLOG3_IN_USE_CLR [4:0]	00000000h
		0	0	0	0	0	0	0	0	0	0	0	0	0	0	0	0		
R328760 (50438h)	RA_EVENTLOG3_Thread_Ctrl_Debug_1	RA_EVENTLOG3_IN_USE_DBG0 [31:16]																00000000h	
		RA_EVENTLOG3_IN_USE_DBG0 [15:0]																	
R328768 (50440h)	RA_EVENTLOG4_Thread_Ctrl_1	0	0	0	0	0	0	0	0	0	0	0	0	0	0	0	0	RA_EVENTLOG4_OWNER [4:0]	00000000h
		RA_EVENTLOG4_IN_USE_STS	RA_EVENTLOG4_SHARE	0	0	0	0	0	0	0	0	0	0	0	0	0	0		
R328770 (50442h)	RA_EVENTLOG4_Thread_Ctrl_2	0	0	0	0	0	0	0	0	0	0	0	0	0	0	0	0	RA_EVENTLOG4_IN_USE_SET [4:0]	00000000h
		0	0	0	0	0	0	0	0	0	0	0	0	0	0	0	0		
R328772 (50444h)	RA_EVENTLOG4_Thread_Ctrl_3	0	0	0	0	0	0	0	0	0	0	0	0	0	0	0	0	RA_EVENTLOG4_IN_USE_CLR [4:0]	00000000h
		0	0	0	0	0	0	0	0	0	0	0	0	0	0	0	0		
R328776 (50448h)	RA_EVENTLOG4_Thread_Ctrl_Debug_1	RA_EVENTLOG4_IN_USE_DBG0 [31:16]																00000000h	
		RA_EVENTLOG4_IN_USE_DBG0 [15:0]																	

Table 6-2. Register Map Definition—32-bit region (Cont.)

Register	Name	31 15	30 14	29 13	28 12	27 11	26 10	25 9	24 8	23 7	22 6	21 5	20 4	19 3	18 2	17 1	16 0	Default
R328784 (50450h)	RA_EVENTLOG5_Thread_Ctrl_1	0	0	0	0	0	0	0	0	0	0	0	0	0	0	0	0	0000000h
		RA EVENTLOG5_IN USE_STS	RA EVENTLOG5 SHARE	0	0	0	0	0	0	0	0	0	RA_EVENTLOG5_OWNER [4:0]					
R328786 (50452h)	RA_EVENTLOG5_Thread_Ctrl_2	0	0	0	0	0	0	0	0	0	0	0	0	0	0	0	0	0000000h
		0	0	0	0	0	0	0	0	0	0	0	RA_EVENTLOG5_IN_USE_SET [4:0]					
R328788 (50454h)	RA_EVENTLOG5_Thread_Ctrl_3	0	0	0	0	0	0	0	0	0	0	0	0	0	0	0	0	0000000h
		0	0	0	0	0	0	0	0	0	0	0	RA_EVENTLOG5_IN_USE_CLR [4:0]					
R328792 (50458h)	RA_EVENTLOG5_Thread_Ctrl_Debug_1	RA_EVENTLOG5_IN_USE_DBG0 [31:16]																00000000h
		RA_EVENTLOG5_IN_USE_DBG0 [15:0]																
R328800 (50460h)	RA_EVENTLOG6_Thread_Ctrl_1	0	0	0	0	0	0	0	0	0	0	0	0	0	0	0	0	0000000h
		RA EVENTLOG6_IN USE_STS	RA EVENTLOG6 SHARE	0	0	0	0	0	0	0	0	0	RA_EVENTLOG6_OWNER [4:0]					
R328802 (50462h)	RA_EVENTLOG6_Thread_Ctrl_2	0	0	0	0	0	0	0	0	0	0	0	0	0	0	0	0	0000000h
		0	0	0	0	0	0	0	0	0	0	0	RA_EVENTLOG6_IN_USE_SET [4:0]					
R328804 (50464h)	RA_EVENTLOG6_Thread_Ctrl_3	0	0	0	0	0	0	0	0	0	0	0	0	0	0	0	0	0000000h
		0	0	0	0	0	0	0	0	0	0	0	RA_EVENTLOG6_IN_USE_CLR [4:0]					
R328808 (50468h)	RA_EVENTLOG6_Thread_Ctrl_Debug_1	RA_EVENTLOG6_IN_USE_DBG0 [31:16]																00000000h
		RA_EVENTLOG6_IN_USE_DBG0 [15:0]																
R328816 (50470h)	RA_EVENTLOG7_Thread_Ctrl_1	0	0	0	0	0	0	0	0	0	0	0	0	0	0	0	0	0000000h
		RA EVENTLOG7_IN USE_STS	RA EVENTLOG7 SHARE	0	0	0	0	0	0	0	0	0	RA_EVENTLOG7_OWNER [4:0]					
R328818 (50472h)	RA_EVENTLOG7_Thread_Ctrl_2	0	0	0	0	0	0	0	0	0	0	0	0	0	0	0	0	0000000h
		0	0	0	0	0	0	0	0	0	0	0	RA_EVENTLOG7_IN_USE_SET [4:0]					
R328820 (50474h)	RA_EVENTLOG7_Thread_Ctrl_3	0	0	0	0	0	0	0	0	0	0	0	0	0	0	0	0	0000000h
		0	0	0	0	0	0	0	0	0	0	0	RA_EVENTLOG7_IN_USE_CLR [4:0]					
R328824 (50478h)	RA_EVENTLOG7_Thread_Ctrl_Debug_1	RA_EVENTLOG7_IN_USE_DBG0 [31:16]																00000000h
		RA_EVENTLOG7_IN_USE_DBG0 [15:0]																
R328832 (50480h)	RA_EVENTLOG8_Thread_Ctrl_1	0	0	0	0	0	0	0	0	0	0	0	0	0	0	0	0	0000000h
		RA EVENTLOG8_IN USE_STS	RA EVENTLOG8 SHARE	0	0	0	0	0	0	0	0	0	RA_EVENTLOG8_OWNER [4:0]					
R328834 (50482h)	RA_EVENTLOG8_Thread_Ctrl_2	0	0	0	0	0	0	0	0	0	0	0	0	0	0	0	0	0000000h
		0	0	0	0	0	0	0	0	0	0	0	RA_EVENTLOG8_IN_USE_SET [4:0]					
R328836 (50484h)	RA_EVENTLOG8_Thread_Ctrl_3	0	0	0	0	0	0	0	0	0	0	0	0	0	0	0	0	0000000h
		0	0	0	0	0	0	0	0	0	0	0	RA_EVENTLOG8_IN_USE_CLR [4:0]					
R328840 (50488h)	RA_EVENTLOG8_Thread_Ctrl_Debug_1	RA_EVENTLOG8_IN_USE_DBG0 [31:16]																00000000h
		RA_EVENTLOG8_IN_USE_DBG0 [15:0]																
R329728 (50800h)	RA_TIMER_Thread_Ctrl_1	0	0	0	0	0	0	0	0	0	0	0	0	0	0	0	0	00000FFh
		0	0	0	0	0	0	0	0	0	0	RA_TIMER_STS [7:0]						
R329732 (50804h)	RA_TIMER_Thread_Ctrl_2	0	0	0	0	0	0	0	0	0	0	0	0	0	0	0	0	0000000h
		0	0	0	0	0	0	0	0	0	RA_TIMER_SHARE_STS [7:0]							
R329736 (50808h)	RA_TIMER_Thread_Ctrl_3	0	0	0	0	0	0	0	0	0	0	0	0	0	0	0	0	0000008h
		0	0	0	0	0	0	0	0	0	0	RA_TIMER_NUM [5:0]						
R329744 (50810h)	RA_TIMER1_Thread_Ctrl_1	0	0	0	0	0	0	0	0	0	0	0	0	0	0	0	0	0000000h
		RA TIMER1_IN_USE_ STS	RA TIMER1 SHARE	0	0	0	0	0	0	0	0	0	RA_TIMER1_OWNER [4:0]					
R329746 (50812h)	RA_TIMER1_Thread_Ctrl_2	0	0	0	0	0	0	0	0	0	0	0	0	0	0	0	0	0000000h
		0	0	0	0	0	0	0	0	0	0	0	RA_TIMER1_IN_USE_SET [4:0]					
R329748 (50814h)	RA_TIMER1_Thread_Ctrl_3	0	0	0	0	0	0	0	0	0	0	0	0	0	0	0	0	0000000h
		0	0	0	0	0	0	0	0	0	0	0	RA_TIMER1_IN_USE_CLR [4:0]					
R329750 (50816h)	RA_TIMER1_Thread_Ctrl_4	0	0	0	0	0	0	0	0	0	0	0	0	0	0	0	0	0000001h
		0	0	0	0	0	0	0	0	0	0	0	0	0	0	0	RA TIMER1 CAP_EVT	
R329752 (50818h)	RA_TIMER1_Thread_Ctrl_Debug_1	RA_TIMER1_IN_USE_DBG0 [31:16]																00000000h
		RA_TIMER1_IN_USE_DBG0 [15:0]																
R329760 (50820h)	RA_TIMER2_Thread_Ctrl_1	0	0	0	0	0	0	0	0	0	0	0	0	0	0	0	0	0000000h
		RA TIMER2_IN_USE_ STS	RA TIMER2 SHARE	0	0	0	0	0	0	0	0	0	RA_TIMER2_OWNER [4:0]					
R329762 (50822h)	RA_TIMER2_Thread_Ctrl_2	0	0	0	0	0	0	0	0	0	0	0	0	0	0	0	0	0000000h
		0	0	0	0	0	0	0	0	0	0	0	RA_TIMER2_IN_USE_SET [4:0]					
R329764 (50824h)	RA_TIMER2_Thread_Ctrl_3	0	0	0	0	0	0	0	0	0	0	0	0	0	0	0	0	0000000h
		0	0	0	0	0	0	0	0	0	0	0	RA_TIMER2_IN_USE_CLR [4:0]					
R329766 (50826h)	RA_TIMER2_Thread_Ctrl_4	0	0	0	0	0	0	0	0	0	0	0	0	0	0	0	0	0000001h
		0	0	0	0	0	0	0	0	0	0	0	0	0	0	0	RA TIMER2 CAP_EVT	
R329768 (50828h)	RA_TIMER2_Thread_Ctrl_Debug_1	RA_TIMER2_IN_USE_DBG0 [31:16]																00000000h
		RA_TIMER2_IN_USE_DBG0 [15:0]																

Table 6-2. Register Map Definition—32-bit region (Cont.)

Register	Name	31 15	30 14	29 13	28 12	27 11	26 10	25 9	24 8	23 7	22 6	21 5	20 4	19 3	18 2	17 1	16 0	Default
R329776 (50830h)	RA_TIMER3_Thread_ Ctrl_1	0	0	0	0	0	0	0	0	0	0	0	0	0	0	0	0	0000000h
		RA TIMER3 IN_USE_ STS	RA TIMER3 SHARE	0	0	0	0	0	0	0	0	0	RA_TIMER3_OWNER [4:0]					
R329778 (50832h)	RA_TIMER3_Thread_ Ctrl_2	0	0	0	0	0	0	0	0	0	0	0	0	0	0	0	0	0000000h
		0	0	0	0	0	0	0	0	0	0	0	RA_TIMER3_IN_USE_SET [4:0]					
R329780 (50834h)	RA_TIMER3_Thread_ Ctrl_3	0	0	0	0	0	0	0	0	0	0	0	0	0	0	0	0	0000000h
		0	0	0	0	0	0	0	0	0	0	0	RA_TIMER3_IN_USE_CLR [4:0]					
R329782 (50836h)	RA_TIMER3_Thread_ Ctrl_4	0	0	0	0	0	0	0	0	0	0	0	0	0	0	0	0	0000001h
		0	0	0	0	0	0	0	0	0	0	0	0	0	0	0	RA TIMER3 CAP_EVT	
R329784 (50838h)	RA_TIMER3_Thread_ Ctrl_Debug_1	RA_TIMER3_IN_USE_DBG0 [31:16]																0000000h
		RA_TIMER3_IN_USE_DBG0 [15:0]																
R329792 (50840h)	RA_TIMER4_Thread_ Ctrl_1	0	0	0	0	0	0	0	0	0	0	0	0	0	0	0	0	0000000h
		RA TIMER4 IN_USE_ STS	RA TIMER4 SHARE	0	0	0	0	0	0	0	0	0	RA_TIMER4_OWNER [4:0]					
R329794 (50842h)	RA_TIMER4_Thread_ Ctrl_2	0	0	0	0	0	0	0	0	0	0	0	0	0	0	0	0	0000000h
		0	0	0	0	0	0	0	0	0	0	0	RA_TIMER4_IN_USE_SET [4:0]					
R329796 (50844h)	RA_TIMER4_Thread_ Ctrl_3	0	0	0	0	0	0	0	0	0	0	0	0	0	0	0	0	0000000h
		0	0	0	0	0	0	0	0	0	0	0	RA_TIMER4_IN_USE_CLR [4:0]					
R329798 (50846h)	RA_TIMER4_Thread_ Ctrl_4	0	0	0	0	0	0	0	0	0	0	0	0	0	0	0	0	0000001h
		0	0	0	0	0	0	0	0	0	0	0	0	0	0	0	RA TIMER4 CAP_EVT	
R329800 (50848h)	RA_TIMER4_Thread_ Ctrl_Debug_1	RA_TIMER4_IN_USE_DBG0 [31:16]																0000000h
		RA_TIMER4_IN_USE_DBG0 [15:0]																
R329808 (50850h)	RA_TIMER5_Thread_ Ctrl_1	0	0	0	0	0	0	0	0	0	0	0	0	0	0	0	0	0000000h
		RA TIMER5 IN_USE_ STS	RA TIMER5 SHARE	0	0	0	0	0	0	0	0	0	RA_TIMER5_OWNER [4:0]					
R329810 (50852h)	RA_TIMER5_Thread_ Ctrl_2	0	0	0	0	0	0	0	0	0	0	0	0	0	0	0	0	0000000h
		0	0	0	0	0	0	0	0	0	0	0	RA_TIMER5_IN_USE_SET [4:0]					
R329812 (50854h)	RA_TIMER5_Thread_ Ctrl_3	0	0	0	0	0	0	0	0	0	0	0	0	0	0	0	0	0000000h
		0	0	0	0	0	0	0	0	0	0	0	RA_TIMER5_IN_USE_CLR [4:0]					
R329814 (50856h)	RA_TIMER5_Thread_ Ctrl_4	0	0	0	0	0	0	0	0	0	0	0	0	0	0	0	0	0000000h
		0	0	0	0	0	0	0	0	0	0	0	0	0	0	0	RA TIMER5 CAP_EVT	
R329816 (50858h)	RA_TIMER5_Thread_ Ctrl_Debug_1	RA_TIMER5_IN_USE_DBG0 [31:16]																0000000h
		RA_TIMER5_IN_USE_DBG0 [15:0]																
R329824 (50860h)	RA_TIMER6_Thread_ Ctrl_1	0	0	0	0	0	0	0	0	0	0	0	0	0	0	0	0	0000000h
		RA TIMER6 IN_USE_ STS	RA TIMER6 SHARE	0	0	0	0	0	0	0	0	0	RA_TIMER6_OWNER [4:0]					
R329826 (50862h)	RA_TIMER6_Thread_ Ctrl_2	0	0	0	0	0	0	0	0	0	0	0	0	0	0	0	0	0000000h
		0	0	0	0	0	0	0	0	0	0	0	RA_TIMER6_IN_USE_SET [4:0]					
R329828 (50864h)	RA_TIMER6_Thread_ Ctrl_3	0	0	0	0	0	0	0	0	0	0	0	0	0	0	0	0	0000000h
		0	0	0	0	0	0	0	0	0	0	0	RA_TIMER6_IN_USE_CLR [4:0]					
R329830 (50866h)	RA_TIMER6_Thread_ Ctrl_4	0	0	0	0	0	0	0	0	0	0	0	0	0	0	0	0	0000000h
		0	0	0	0	0	0	0	0	0	0	0	0	0	0	0	RA TIMER6 CAP_EVT	
R329832 (50868h)	RA_TIMER6_Thread_ Ctrl_Debug_1	RA_TIMER6_IN_USE_DBG0 [31:16]																0000000h
		RA_TIMER6_IN_USE_DBG0 [15:0]																
R329840 (50870h)	RA_TIMER7_Thread_ Ctrl_1	0	0	0	0	0	0	0	0	0	0	0	0	0	0	0	0	0000000h
		RA TIMER7 IN_USE_ STS	RA TIMER7 SHARE	0	0	0	0	0	0	0	0	0	RA_TIMER7_OWNER [4:0]					
R329842 (50872h)	RA_TIMER7_Thread_ Ctrl_2	0	0	0	0	0	0	0	0	0	0	0	0	0	0	0	0	0000000h
		0	0	0	0	0	0	0	0	0	0	0	RA_TIMER7_IN_USE_SET [4:0]					
R329844 (50874h)	RA_TIMER7_Thread_ Ctrl_3	0	0	0	0	0	0	0	0	0	0	0	0	0	0	0	0	0000000h
		0	0	0	0	0	0	0	0	0	0	0	RA_TIMER7_IN_USE_CLR [4:0]					
R329846 (50876h)	RA_TIMER7_Thread_ Ctrl_4	0	0	0	0	0	0	0	0	0	0	0	0	0	0	0	0	0000000h
		0	0	0	0	0	0	0	0	0	0	0	0	0	0	0	RA TIMER7 CAP_EVT	
R329848 (50878h)	RA_TIMER7_Thread_ Ctrl_Debug_1	RA_TIMER7_IN_USE_DBG0 [31:16]																0000000h
		RA_TIMER7_IN_USE_DBG0 [15:0]																
R329856 (50880h)	RA_TIMER8_Thread_ Ctrl_1	0	0	0	0	0	0	0	0	0	0	0	0	0	0	0	0	0000000h
		RA TIMER8 IN_USE_ STS	RA TIMER8 SHARE	0	0	0	0	0	0	0	0	0	RA_TIMER8_OWNER [4:0]					

Table 6-2. Register Map Definition—32-bit region (Cont.)

Register	Name	31 15	30 14	29 13	28 12	27 11	26 10	25 9	24 8	23 7	22 6	21 5	20 4	19 3	18 2	17 1	16 0	Default
R329858 (50882h)	RA_TIMER8_Thred_ Ctrl_2	0	0	0	0	0	0	0	0	0	0	0	0	0	0	0	0	0000000h
		RA_TIMER8_IN_USE_SET [4:0]																
R329860 (50884h)	RA_TIMER8_Thred_ Ctrl_3	0	0	0	0	0	0	0	0	0	0	0	0	0	0	0	0	0000000h
		RA_TIMER8_IN_USE_CLR [4:0]																
R329862 (50886h)	RA_TIMER8_Thred_ Ctrl_4	0	0	0	0	0	0	0	0	0	0	0	0	0	0	0	0	0000000h
		RA_TIMER8_CAP_EVT																
R329864 (50888h)	RA_TIMER8_Thred_ Ctrl_Debug_1	RA_TIMER8_IN_USE_DBG0 [31:16]																
		RA_TIMER8_IN_USE_DBG0 [15:0]																
R330752 (50C00h)	RA_DSPGP_SET_ Thred_Ctrl_1	0	0	0	0	0	0	0	0	0	0	0	0	0	0	0	0	00000FFh
		RA_DSPGP_SET_STS [7:0]																
R330756 (50C04h)	RA_DSPGP_SET_ Thred_Ctrl_2	0	0	0	0	0	0	0	0	0	0	0	0	0	0	0	0	0000000h
		RA_DSPGP_SET_SHARE_STS [7:0]																
R330760 (50C08h)	RA_DSPGP_SET_ Thred_Ctrl_3	0	0	0	0	0	0	0	0	0	0	0	0	0	0	0	0	0000008h
		RA_DSPGP_SET_NUM [5:0]																
R330768 (50C10h)	RA_DSPGP_SET1_ Thred_Ctrl_1	0	0	0	0	0	0	0	0	0	0	0	0	0	0	0	0	0000000h
		RA DSPGP SET1_IN USE_STS	RA DSPGP SET1 SHARE	RA_DSPGP_SET1_OWNER [4:0]														
R330770 (50C12h)	RA_DSPGP_SET1_ Thred_Ctrl_2	0	0	0	0	0	0	0	0	0	0	0	0	0	0	0	0	0000000h
		RA_DSPGP_SET1_IN_USE_SET [4:0]																
R330772 (50C14h)	RA_DSPGP_SET1_ Thred_Ctrl_3	0	0	0	0	0	0	0	0	0	0	0	0	0	0	0	0	0000000h
		RA_DSPGP_SET1_IN_USE_CLR [4:0]																
R330776 (50C18h)	RA_DSPGP_SET1_ Thred_Ctrl_Debug_1	RA_DSPGP_SET1_IN_USE_DBG0 [31:16]																
		RA_DSPGP_SET1_IN_USE_DBG0 [15:0]																
R330786 (50C22h)R330784 (50C20h)	RA_DSPGP_SET2_ Thred_Ctrl_2	0	0	0	0	0	0	0	0	0	0	0	0	0	0	0	0	0000000h
		0																
		RA_DSPGP_SET2_IN_USE_SET [4:0]																
R330788 (50C24h)	RA_DSPGP_SET2_ Thred_Ctrl_3	0	0	0	0	0	0	0	0	0	0	0	0	0	0	0	0	0000000h
		RA_DSPGP_SET2_IN_USE_CLR [4:0]																
R330792 (50C28h)	RA_DSPGP_SET2_ Thred_Ctrl_Debug_1	RA_DSPGP_SET2_IN_USE_DBG0 [31:16]																
		RA_DSPGP_SET2_IN_USE_DBG0 [15:0]																
R330800 (50C30h)	RA_DSPGP_SET3_ Thred_Ctrl_1	0	0	0	0	0	0	0	0	0	0	0	0	0	0	0	0	0000000h
		RA DSPGP SET3_IN USE_STS	RA DSPGP SET3 SHARE	RA_DSPGP_SET3_OWNER [4:0]														
R330802 (50C32h)	RA_DSPGP_SET3_ Thred_Ctrl_2	0	0	0	0	0	0	0	0	0	0	0	0	0	0	0	0	0000000h
		RA_DSPGP_SET3_IN_USE_SET [4:0]																
R330804 (50C34h)	RA_DSPGP_SET3_ Thred_Ctrl_3	0	0	0	0	0	0	0	0	0	0	0	0	0	0	0	0	0000000h
		RA_DSPGP_SET3_IN_USE_CLR [4:0]																
R330808 (50C38h)	RA_DSPGP_SET3_ Thred_Ctrl_Debug_1	RA_DSPGP_SET3_IN_USE_DBG0 [31:16]																
		RA_DSPGP_SET3_IN_USE_DBG0 [15:0]																
R330816 (50C40h)	RA_DSPGP_SET4_ Thred_Ctrl_1	0	0	0	0	0	0	0	0	0	0	0	0	0	0	0	0	0000000h
		RA DSPGP SET4_IN USE_STS	RA DSPGP SET4 SHARE	RA_DSPGP_SET4_OWNER [4:0]														
R330818 (50C42h)	RA_DSPGP_SET4_ Thred_Ctrl_2	0	0	0	0	0	0	0	0	0	0	0	0	0	0	0	0	0000000h
		RA_DSPGP_SET4_IN_USE_SET [4:0]																
R330820 (50C44h)	RA_DSPGP_SET4_ Thred_Ctrl_3	0	0	0	0	0	0	0	0	0	0	0	0	0	0	0	0	0000000h
		RA_DSPGP_SET4_IN_USE_CLR [4:0]																
R330824 (50C48h)	RA_DSPGP_SET4_ Thred_Ctrl_Debug_1	RA_DSPGP_SET4_IN_USE_DBG0 [31:16]																
		RA_DSPGP_SET4_IN_USE_DBG0 [15:0]																
R330832 (50C50h)	RA_DSPGP_SET5_ Thred_Ctrl_1	0	0	0	0	0	0	0	0	0	0	0	0	0	0	0	0	0000000h
		RA DSPGP SET5_IN USE_STS	RA DSPGP SET5 SHARE	RA_DSPGP_SET5_OWNER [4:0]														
R330834 (50C52h)	RA_DSPGP_SET5_ Thred_Ctrl_2	0	0	0	0	0	0	0	0	0	0	0	0	0	0	0	0	0000000h
		RA_DSPGP_SET5_IN_USE_SET [4:0]																
R330836 (50C54h)	RA_DSPGP_SET5_ Thred_Ctrl_3	0	0	0	0	0	0	0	0	0	0	0	0	0	0	0	0	0000000h
		RA_DSPGP_SET5_IN_USE_CLR [4:0]																
R330840 (50C58h)	RA_DSPGP_SET5_ Thred_Ctrl_Debug_1	RA_DSPGP_SET5_IN_USE_DBG0 [31:16]																
		RA_DSPGP_SET5_IN_USE_DBG0 [15:0]																
R330848 (50C60h)	RA_DSPGP_SET6_ Thred_Ctrl_1	0	0	0	0	0	0	0	0	0	0	0	0	0	0	0	0	0000000h
		RA DSPGP SET6_IN USE_STS	RA DSPGP SET6 SHARE	RA_DSPGP_SET6_OWNER [4:0]														
R330850 (50C62h)	RA_DSPGP_SET6_ Thred_Ctrl_2	0	0	0	0	0	0	0	0	0	0	0	0	0	0	0	0	0000000h
		RA_DSPGP_SET6_IN_USE_SET [4:0]																
R330852 (50C64h)	RA_DSPGP_SET6_ Thred_Ctrl_3	0	0	0	0	0	0	0	0	0	0	0	0	0	0	0	0	0000000h
		RA_DSPGP_SET6_IN_USE_CLR [4:0]																

Table 6-2. Register Map Definition—32-bit region (Cont.)

Register	Name	31 15	30 14	29 13	28 12	27 11	26 10	25 9	24 8	23 7	22 6	21 5	20 4	19 3	18 2	17 1	16 0	Default	
R330856 (50C68h)	RA_DSPGP_SET6_ Thread_Ctrl_Debug_1	RA_DSPGP_SET6_IN_USE_DBG0 [31:16]																00000000h	
		RA_DSPGP_SET6_IN_USE_DBG0 [15:0]																	
R330864 (50C70h)	RA_DSPGP_SET7_ Thread_Ctrl_1	0	0	0	0	0	0	0	0	0	0	0	0	0	0	0	0	RA_DSPGP_SET7_OWNER [4:0]	00000000h
		RA DSPGP SET7_IN USE_STS	RA DSPGP SET7 SHARE																
R330866 (50C72h)	RA_DSPGP_SET7_ Thread_Ctrl_2	0	0	0	0	0	0	0	0	0	0	0	0	0	0	0	0	RA_DSPGP_SET7_IN_USE_SET [4:0]	00000000h
		0	0	0	0	0	0	0	0	0	0	0	0	0	0	0	0		
R330868 (50C74h)	RA_DSPGP_SET7_ Thread_Ctrl_3	0	0	0	0	0	0	0	0	0	0	0	0	0	0	0	0	RA_DSPGP_SET7_IN_USE_CLR [4:0]	00000000h
		0	0	0	0	0	0	0	0	0	0	0	0	0	0	0	0		
R330872 (50C78h)	RA_DSPGP_SET7_ Thread_Ctrl_Debug_1	RA_DSPGP_SET7_IN_USE_DBG0 [31:16]																00000000h	
		RA_DSPGP_SET7_IN_USE_DBG0 [15:0]																	
R330880 (50C80h)	RA_DSPGP_SET8_ Thread_Ctrl_1	0	0	0	0	0	0	0	0	0	0	0	0	0	0	0	0	RA_DSPGP_SET8_OWNER [4:0]	00000000h
		RA DSPGP SET8_IN USE_STS	RA DSPGP SET8 SHARE																
R330882 (50C82h)	RA_DSPGP_SET8_ Thread_Ctrl_2	0	0	0	0	0	0	0	0	0	0	0	0	0	0	0	0	RA_DSPGP_SET8_IN_USE_SET [4:0]	00000000h
		0	0	0	0	0	0	0	0	0	0	0	0	0	0	0	0		
R330884 (50C84h)	RA_DSPGP_SET8_ Thread_Ctrl_3	0	0	0	0	0	0	0	0	0	0	0	0	0	0	0	0	RA_DSPGP_SET8_IN_USE_CLR [4:0]	00000000h
		0	0	0	0	0	0	0	0	0	0	0	0	0	0	0	0		
R330888 (50C88h)	RA_DSPGP_SET8_ Thread_Ctrl_Debug_1	RA_DSPGP_SET8_IN_USE_DBG0 [31:16]																00000000h	
		RA_DSPGP_SET8_IN_USE_DBG0 [15:0]																	
R331776 (51000h)	RA_SPARE_A_ Thread_Ctrl_1	RA_SPARE_A_STS [15:0]																0000FFFFh	
		RA_SPARE_A_SHARE_STS [15:0]																	
R331780 (51004h)	RA_SPARE_A_ Thread_Ctrl_2	0	0	0	0	0	0	0	0	0	0	0	0	0	0	0	0	RA_SPARE_A_NUM [5:0]	00000000h
		0	0	0	0	0	0	0	0	0	0	0	0	0	0	0	0		
R331784 (51008h)	RA_SPARE_A_ Thread_Ctrl_3	0	0	0	0	0	0	0	0	0	0	0	0	0	0	0	0	RA_SPARE_A1_OWNER [4:0]	0000010h
		0	0	0	0	0	0	0	0	0	0	0	0	0	0	0	0		
R331792 (51010h)	RA_SPARE_A1_ Thread_Ctrl_1	0	0	0	0	0	0	0	0	0	0	0	0	0	0	0	0	RA_SPARE_A1_OWNER [4:0]	00000000h
		RA SPARE_A1_IN USE_STS	RA SPARE_A1 SHARE																
R331794 (51012h)	RA_SPARE_A1_ Thread_Ctrl_2	0	0	0	0	0	0	0	0	0	0	0	0	0	0	0	0	RA_SPARE_A1_IN_USE_SET [4:0]	00000000h
		0	0	0	0	0	0	0	0	0	0	0	0	0	0	0	0		
R331796 (51014h)	RA_SPARE_A1_ Thread_Ctrl_3	0	0	0	0	0	0	0	0	0	0	0	0	0	0	0	0	RA_SPARE_A1_IN_USE_CLR [4:0]	00000000h
		0	0	0	0	0	0	0	0	0	0	0	0	0	0	0	0		
R331800 (51018h)	RA_SPARE_A1_ Thread_Ctrl_Debug_1	RA_SPARE_A1_IN_USE_DBG0 [31:16]																00000000h	
		RA_SPARE_A1_IN_USE_DBG0 [15:0]																	
R331808 (51020h)	RA_SPARE_A2_ Thread_Ctrl_1	0	0	0	0	0	0	0	0	0	0	0	0	0	0	0	0	RA_SPARE_A2_OWNER [4:0]	00000000h
		RA SPARE_A2_IN USE_STS	RA SPARE_A2 SHARE																
R331810 (51022h)	RA_SPARE_A2_ Thread_Ctrl_2	0	0	0	0	0	0	0	0	0	0	0	0	0	0	0	0	RA_SPARE_A2_IN_USE_SET [4:0]	00000000h
		0	0	0	0	0	0	0	0	0	0	0	0	0	0	0	0		
R331812 (51024h)	RA_SPARE_A2_ Thread_Ctrl_3	0	0	0	0	0	0	0	0	0	0	0	0	0	0	0	0	RA_SPARE_A2_IN_USE_CLR [4:0]	00000000h
		0	0	0	0	0	0	0	0	0	0	0	0	0	0	0	0		
R331816 (51028h)	RA_SPARE_A2_ Thread_Ctrl_Debug_1	RA_SPARE_A2_IN_USE_DBG0 [31:16]																00000000h	
		RA_SPARE_A2_IN_USE_DBG0 [15:0]																	
R331824 (51030h)	RA_SPARE_A3_ Thread_Ctrl_1	0	0	0	0	0	0	0	0	0	0	0	0	0	0	0	0	RA_SPARE_A3_OWNER [4:0]	00000000h
		RA SPARE_A3_IN USE_STS	RA SPARE_A3 SHARE																
R331826 (51032h)	RA_SPARE_A3_ Thread_Ctrl_2	0	0	0	0	0	0	0	0	0	0	0	0	0	0	0	0	RA_SPARE_A3_IN_USE_SET [4:0]	00000000h
		0	0	0	0	0	0	0	0	0	0	0	0	0	0	0	0		
R331828 (51034h)	RA_SPARE_A3_ Thread_Ctrl_3	0	0	0	0	0	0	0	0	0	0	0	0	0	0	0	0	RA_SPARE_A3_IN_USE_CLR [4:0]	00000000h
		0	0	0	0	0	0	0	0	0	0	0	0	0	0	0	0		
R331832 (51038h)	RA_SPARE_A3_ Thread_Ctrl_Debug_1	RA_SPARE_A3_IN_USE_DBG0 [31:16]																00000000h	
		RA_SPARE_A3_IN_USE_DBG0 [15:0]																	
R331840 (51040h)	RA_SPARE_A4_ Thread_Ctrl_1	0	0	0	0	0	0	0	0	0	0	0	0	0	0	0	0	RA_SPARE_A4_OWNER [4:0]	00000000h
		RA SPARE_A4_IN USE_STS	RA SPARE_A4 SHARE																
R331842 (51042h)	RA_SPARE_A4_ Thread_Ctrl_2	0	0	0	0	0	0	0	0	0	0	0	0	0	0	0	0	RA_SPARE_A4_IN_USE_SET [4:0]	00000000h
		0	0	0	0	0	0	0	0	0	0	0	0	0	0	0	0		
R331844 (51044h)	RA_SPARE_A4_ Thread_Ctrl_3	0	0	0	0	0	0	0	0	0	0	0	0	0	0	0	0	RA_SPARE_A4_IN_USE_CLR [4:0]	00000000h
		0	0	0	0	0	0	0	0	0	0	0	0	0	0	0	0		
R331848 (51048h)	RA_SPARE_A4_ Thread_Ctrl_Debug_1	RA_SPARE_A4_IN_USE_DBG0 [31:16]																00000000h	
		RA_SPARE_A4_IN_USE_DBG0 [15:0]																	
R331856 (51050h)	RA_SPARE_A5_ Thread_Ctrl_1	0	0	0	0	0	0	0	0	0	0	0	0	0	0	0	0	RA_SPARE_A5_OWNER [4:0]	00000000h
		RA SPARE_A5_IN USE_STS	RA SPARE_A5 SHARE																

Table 6-2. Register Map Definition—32-bit region (Cont.)

Register	Name	31 15	30 14	29 13	28 12	27 11	26 10	25 9	24 8	23 7	22 6	21 5	20 4	19 3	18 2	17 1	16 0	Default
R331858 (51052h)	RA_SPARE_A5_Thread_Ctrl_2	0	0	0	0	0	0	0	0	0	0	0	0	0	0	0	0	0000000h
R331860 (51054h)	RA_SPARE_A5_Thread_Ctrl_3	0	0	0	0	0	0	0	0	0	0	0	0	0	0	0	0	0000000h
R331864 (51058h)	RA_SPARE_A5_Thread_Ctrl_Debug_1	RA_SPARE_A5_IN_USE_DBG0 [31:16]																0000000h
R331872 (51060h)	RA_SPARE_A6_Thread_Ctrl_1	RA_SPARE_A5_IN_USE_DBG0 [15:0]																0000000h
R331874 (51062h)	RA_SPARE_A6_Thread_Ctrl_2	0	0	0	0	0	0	0	0	0	0	0	0	0	0	0	0	0000000h
R331876 (51064h)	RA_SPARE_A6_Thread_Ctrl_3	0	0	0	0	0	0	0	0	0	0	0	0	0	0	0	0	0000000h
R331880 (51068h)	RA_SPARE_A6_Thread_Ctrl_Debug_1	RA_SPARE_A6_IN_USE_DBG0 [31:16]																0000000h
R331888 (51070h)	RA_SPARE_A7_Thread_Ctrl_1	RA_SPARE_A6_IN_USE_DBG0 [15:0]																0000000h
R331890 (51072h)	RA_SPARE_A7_Thread_Ctrl_2	0	0	0	0	0	0	0	0	0	0	0	0	0	0	0	0	0000000h
R331892 (51074h)	RA_SPARE_A7_Thread_Ctrl_3	0	0	0	0	0	0	0	0	0	0	0	0	0	0	0	0	0000000h
R331896 (51078h)	RA_SPARE_A7_Thread_Ctrl_Debug_1	RA_SPARE_A7_IN_USE_DBG0 [31:16]																0000000h
R331904 (51080h)	RA_SPARE_A8_Thread_Ctrl_1	RA_SPARE_A7_IN_USE_DBG0 [15:0]																0000000h
R331906 (51082h)	RA_SPARE_A8_Thread_Ctrl_2	0	0	0	0	0	0	0	0	0	0	0	0	0	0	0	0	0000000h
R331908 (51084h)	RA_SPARE_A8_Thread_Ctrl_3	0	0	0	0	0	0	0	0	0	0	0	0	0	0	0	0	0000000h
R331912 (51088h)	RA_SPARE_A8_Thread_Ctrl_Debug_1	RA_SPARE_A8_IN_USE_DBG0 [31:16]																0000000h
R331920 (51090h)	RA_SPARE_A9_Thread_Ctrl_1	RA_SPARE_A8_IN_USE_DBG0 [15:0]																0000000h
R331922 (51092h)	RA_SPARE_A9_Thread_Ctrl_2	0	0	0	0	0	0	0	0	0	0	0	0	0	0	0	0	0000000h
R331924 (51094h)	RA_SPARE_A9_Thread_Ctrl_3	0	0	0	0	0	0	0	0	0	0	0	0	0	0	0	0	0000000h
R331928 (51098h)	RA_SPARE_A9_Thread_Ctrl_Debug_1	RA_SPARE_A9_IN_USE_DBG0 [31:16]																0000000h
R331936 (510A0h)	RA_SPARE_A10_Thread_Ctrl_1	RA_SPARE_A9_IN_USE_DBG0 [15:0]																0000000h
R331938 (510A2h)	RA_SPARE_A10_Thread_Ctrl_2	0	0	0	0	0	0	0	0	0	0	0	0	0	0	0	0	0000000h
R331940 (510A4h)	RA_SPARE_A10_Thread_Ctrl_3	0	0	0	0	0	0	0	0	0	0	0	0	0	0	0	0	0000000h
R331944 (510A8h)	RA_SPARE_A10_Thread_Ctrl_Debug_1	RA_SPARE_A10_IN_USE_DBG0 [31:16]																0000000h
R331952 (510B0h)	RA_SPARE_A11_Thread_Ctrl_1	RA_SPARE_A10_IN_USE_DBG0 [15:0]																0000000h
R331954 (510B2h)	RA_SPARE_A11_Thread_Ctrl_2	0	0	0	0	0	0	0	0	0	0	0	0	0	0	0	0	0000000h
R331956 (510B4h)	RA_SPARE_A11_Thread_Ctrl_3	0	0	0	0	0	0	0	0	0	0	0	0	0	0	0	0	0000000h
R331960 (510B8h)	RA_SPARE_A11_Thread_Ctrl_Debug_1	RA_SPARE_A11_IN_USE_DBG0 [31:16]																0000000h
R331968 (510C0h)	RA_SPARE_A12_Thread_Ctrl_1	RA_SPARE_A11_IN_USE_DBG0 [15:0]																0000000h
R331970 (510C2h)	RA_SPARE_A12_Thread_Ctrl_2	0	0	0	0	0	0	0	0	0	0	0	0	0	0	0	0	0000000h

Table 6-2. Register Map Definition—32-bit region (Cont.)

Register	Name	31 15	30 14	29 13	28 12	27 11	26 10	25 9	24 8	23 7	22 6	21 5	20 4	19 3	18 2	17 1	16 0	Default
R331972 (510C4h)	RA_SPARE_A12_ Thread_Ctrl_3	0	0	0	0	0	0	0	0	0	0	0	0	0	0	0	0	0000000h
R331976 (510C8h)	RA_SPARE_A12_ Thread_Ctrl_Debug_1	RA_SPARE_A12_IN_USE_DBG0 [31:16] RA_SPARE_A12_IN_USE_DBG0 [15:0]																0000000h
R331984 (510D0h)	RA_SPARE_A13_ Thread_Ctrl_1	0	0	0	0	0	0	0	0	0	0	0	0	0	0	0	0	0000000h
		RA SPARE_ A13_IN_ USE_STS	RA SPARE_ A13_ SHARE	RA_SPARE_A13_OWNER [4:0]														
R331986 (510D2h)	RA_SPARE_A13_ Thread_Ctrl_2	0	0	0	0	0	0	0	0	0	0	0	0	0	0	0	0	0000000h
R331988 (510D4h)	RA_SPARE_A13_ Thread_Ctrl_3	RA_SPARE_A13_IN_USE_SET [4:0]																0000000h
		RA_SPARE_A13_IN_USE_CLR [4:0]																
R331992 (510D8h)	RA_SPARE_A13_ Thread_Ctrl_Debug_1	RA_SPARE_A13_IN_USE_DBG0 [31:16] RA_SPARE_A13_IN_USE_DBG0 [15:0]																0000000h
R332000 (510E0h)	RA_SPARE_A14_ Thread_Ctrl_1	0	0	0	0	0	0	0	0	0	0	0	0	0	0	0	0	0000000h
		RA SPARE_ A14_IN_ USE_STS	RA SPARE_ A14_ SHARE	RA_SPARE_A14_OWNER [4:0]														
R332002 (510E2h)	RA_SPARE_A14_ Thread_Ctrl_2	0	0	0	0	0	0	0	0	0	0	0	0	0	0	0	0	0000000h
R332004 (510E4h)	RA_SPARE_A14_ Thread_Ctrl_3	RA_SPARE_A14_IN_USE_SET [4:0]																0000000h
		RA_SPARE_A14_IN_USE_CLR [4:0]																
R332008 (510E8h)	RA_SPARE_A14_ Thread_Ctrl_Debug_1	RA_SPARE_A14_IN_USE_DBG0 [31:16] RA_SPARE_A14_IN_USE_DBG0 [15:0]																0000000h
R332016 (510F0h)	RA_SPARE_A15_ Thread_Ctrl_1	0	0	0	0	0	0	0	0	0	0	0	0	0	0	0	0	0000000h
		RA SPARE_ A15_IN_ USE_STS	RA SPARE_ A15_ SHARE	RA_SPARE_A15_OWNER [4:0]														
R332018 (510F2h)	RA_SPARE_A15_ Thread_Ctrl_2	0	0	0	0	0	0	0	0	0	0	0	0	0	0	0	0	0000000h
R332020 (510F4h)	RA_SPARE_A15_ Thread_Ctrl_3	RA_SPARE_A15_IN_USE_SET [4:0]																0000000h
		RA_SPARE_A15_IN_USE_CLR [4:0]																
R332024 (510F8h)	RA_SPARE_A15_ Thread_Ctrl_Debug_1	RA_SPARE_A15_IN_USE_DBG0 [31:16] RA_SPARE_A15_IN_USE_DBG0 [15:0]																0000000h
R332032 (51100h)	RA_SPARE_A16_ Thread_Ctrl_1	0	0	0	0	0	0	0	0	0	0	0	0	0	0	0	0	0000000h
		RA SPARE_ A16_IN_ USE_STS	RA SPARE_ A16_ SHARE	RA_SPARE_A16_OWNER [4:0]														
R332034 (51102h)	RA_SPARE_A16_ Thread_Ctrl_2	0	0	0	0	0	0	0	0	0	0	0	0	0	0	0	0	0000000h
R332036 (51104h)	RA_SPARE_A16_ Thread_Ctrl_3	RA_SPARE_A16_IN_USE_SET [4:0]																0000000h
		RA_SPARE_A16_IN_USE_CLR [4:0]																
R332040 (51108h)	RA_SPARE_A16_ Thread_Ctrl_Debug_1	RA_SPARE_A16_IN_USE_DBG0 [31:16] RA_SPARE_A16_IN_USE_DBG0 [15:0]																0000000h
R332800 (51400h)	RA_SPARE_B_Thread_ Ctrl_1	0	0	0	0	0	0	0	0	0	0	0	0	0	0	0	0	00000FFh
		RA_SPARE_B_STS [7:0]																
R332804 (51404h)	RA_SPARE_B_Thread_ Ctrl_2	0	0	0	0	0	0	0	0	0	0	0	0	0	0	0	0	0000000h
		RA_SPARE_B_SHARE_STS [7:0]																
R332808 (51408h)	RA_SPARE_B_Thread_ Ctrl_3	0	0	0	0	0	0	0	0	0	0	0	0	0	0	0	0	0000008h
		RA_SPARE_B_NUM [5:0]																
R332816 (51410h)	RA_SPARE_B1_ Thread_Ctrl_1	0	0	0	0	0	0	0	0	0	0	0	0	0	0	0	0	0000000h
		RA SPARE_ B1_IN_ USE_STS	RA SPARE_ B1_ SHARE	RA_SPARE_B1_OWNER [4:0]														
R332818 (51412h)	RA_SPARE_B1_ Thread_Ctrl_2	0	0	0	0	0	0	0	0	0	0	0	0	0	0	0	0	0000000h
R332820 (51414h)	RA_SPARE_B1_ Thread_Ctrl_3	RA_SPARE_B1_IN_USE_SET [4:0]																0000000h
		RA_SPARE_B1_IN_USE_CLR [4:0]																
R332824 (51418h)	RA_SPARE_B1_ Thread_Ctrl_Debug_1	RA_SPARE_B1_IN_USE_DBG0 [31:16] RA_SPARE_B1_IN_USE_DBG0 [15:0]																0000000h
R332832 (51420h)	RA_SPARE_B2_ Thread_Ctrl_1	0	0	0	0	0	0	0	0	0	0	0	0	0	0	0	0	0000000h
		RA SPARE_ B2_IN_ USE_STS	RA SPARE_ B2_ SHARE	RA_SPARE_B2_OWNER [4:0]														
R332834 (51422h)	RA_SPARE_B2_ Thread_Ctrl_2	0	0	0	0	0	0	0	0	0	0	0	0	0	0	0	0	0000000h
R332836 (51424h)	RA_SPARE_B2_ Thread_Ctrl_3	RA_SPARE_B2_IN_USE_SET [4:0]																0000000h
		RA_SPARE_B2_IN_USE_CLR [4:0]																
R332840 (51428h)	RA_SPARE_B2_ Thread_Ctrl_Debug_1	RA_SPARE_B2_IN_USE_DBG0 [31:16] RA_SPARE_B2_IN_USE_DBG0 [15:0]																0000000h

Table 6-2. Register Map Definition—32-bit region (Cont.)

Register	Name	31 15	30 14	29 13	28 12	27 11	26 10	25 9	24 8	23 7	22 6	21 5	20 4	19 3	18 2	17 1	16 0	Default
R332848 (51430h)	RA_SPARE_B3_ Thread_Ctrl_1	0	0	0	0	0	0	0	0	0	0	0	0	0	0	0	0	0000000h
		RA_SPARE_B3_IN_USE_STS	RA_SPARE_B3_SHARE	0	0	0	0	0	0	0	0	0	0	RA_SPARE_B3_OWNER [4:0]				
R332850 (51432h)	RA_SPARE_B3_ Thread_Ctrl_2	0	0	0	0	0	0	0	0	0	0	0	0	0	0	0	0	0000000h
		0	0	0	0	0	0	0	0	0	0	0	0	RA_SPARE_B3_IN_USE_SET [4:0]				
R332852 (51434h)	RA_SPARE_B3_ Thread_Ctrl_3	0	0	0	0	0	0	0	0	0	0	0	0	0	0	0	0	0000000h
		0	0	0	0	0	0	0	0	0	0	0	0	RA_SPARE_B3_IN_USE_CLR [4:0]				
R332856 (51438h)	RA_SPARE_B3_ Thread_Ctrl_Debug_1	RA_SPARE_B3_IN_USE_DBG0 [31:16]																0000000h
		RA_SPARE_B3_IN_USE_DBG0 [15:0]																
R332864 (51440h)	RA_SPARE_B4_ Thread_Ctrl_1	0	0	0	0	0	0	0	0	0	0	0	0	0	0	0	0	0000000h
		RA_SPARE_B4_IN_USE_STS	RA_SPARE_B4_SHARE	0	0	0	0	0	0	0	0	0	0	0	RA_SPARE_B4_OWNER [4:0]			
R332866 (51442h)	RA_SPARE_B4_ Thread_Ctrl_2	0	0	0	0	0	0	0	0	0	0	0	0	0	0	0	0	0000000h
		0	0	0	0	0	0	0	0	0	0	0	0	RA_SPARE_B4_IN_USE_SET [4:0]				
R332868 (51444h)	RA_SPARE_B4_ Thread_Ctrl_3	0	0	0	0	0	0	0	0	0	0	0	0	0	0	0	0	0000000h
		0	0	0	0	0	0	0	0	0	0	0	0	RA_SPARE_B4_IN_USE_CLR [4:0]				
R332872 (51448h)	RA_SPARE_B4_ Thread_Ctrl_Debug_1	RA_SPARE_B4_IN_USE_DBG0 [31:16]																0000000h
		RA_SPARE_B4_IN_USE_DBG0 [15:0]																
R332880 (51450h)	RA_SPARE_B5_ Thread_Ctrl_1	0	0	0	0	0	0	0	0	0	0	0	0	0	0	0	0	0000000h
		RA_SPARE_B5_IN_USE_STS	RA_SPARE_B5_SHARE	0	0	0	0	0	0	0	0	0	0	0	RA_SPARE_B5_OWNER [4:0]			
R332882 (51452h)	RA_SPARE_B5_ Thread_Ctrl_2	0	0	0	0	0	0	0	0	0	0	0	0	0	0	0	0	0000000h
		0	0	0	0	0	0	0	0	0	0	0	0	RA_SPARE_B5_IN_USE_SET [4:0]				
R332884 (51454h)	RA_SPARE_B5_ Thread_Ctrl_3	0	0	0	0	0	0	0	0	0	0	0	0	0	0	0	0	0000000h
		0	0	0	0	0	0	0	0	0	0	0	0	RA_SPARE_B5_IN_USE_CLR [4:0]				
R332888 (51458h)	RA_SPARE_B5_ Thread_Ctrl_Debug_1	RA_SPARE_B5_IN_USE_DBG0 [31:16]																0000000h
		RA_SPARE_B5_IN_USE_DBG0 [15:0]																
R332896 (51460h)	RA_SPARE_B6_ Thread_Ctrl_1	0	0	0	0	0	0	0	0	0	0	0	0	0	0	0	0	0000000h
		RA_SPARE_B6_IN_USE_STS	RA_SPARE_B6_SHARE	0	0	0	0	0	0	0	0	0	0	0	RA_SPARE_B6_OWNER [4:0]			
R332898 (51462h)	RA_SPARE_B6_ Thread_Ctrl_2	0	0	0	0	0	0	0	0	0	0	0	0	0	0	0	0	0000000h
		0	0	0	0	0	0	0	0	0	0	0	0	RA_SPARE_B6_IN_USE_SET [4:0]				
R332900 (51464h)	RA_SPARE_B6_ Thread_Ctrl_3	0	0	0	0	0	0	0	0	0	0	0	0	0	0	0	0	0000000h
		0	0	0	0	0	0	0	0	0	0	0	0	RA_SPARE_B6_IN_USE_CLR [4:0]				
R332904 (51468h)	RA_SPARE_B6_ Thread_Ctrl_Debug_1	RA_SPARE_B6_IN_USE_DBG0 [31:16]																0000000h
		RA_SPARE_B6_IN_USE_DBG0 [15:0]																
R332912 (51470h)	RA_SPARE_B7_ Thread_Ctrl_1	0	0	0	0	0	0	0	0	0	0	0	0	0	0	0	0	0000000h
		RA_SPARE_B7_IN_USE_STS	RA_SPARE_B7_SHARE	0	0	0	0	0	0	0	0	0	0	0	RA_SPARE_B7_OWNER [4:0]			
R332914 (51472h)	RA_SPARE_B7_ Thread_Ctrl_2	0	0	0	0	0	0	0	0	0	0	0	0	0	0	0	0	0000000h
		0	0	0	0	0	0	0	0	0	0	0	0	RA_SPARE_B7_IN_USE_SET [4:0]				
R332916 (51474h)	RA_SPARE_B7_ Thread_Ctrl_3	0	0	0	0	0	0	0	0	0	0	0	0	0	0	0	0	0000000h
		0	0	0	0	0	0	0	0	0	0	0	0	RA_SPARE_B7_IN_USE_CLR [4:0]				
R332920 (51478h)	RA_SPARE_B7_ Thread_Ctrl_Debug_1	RA_SPARE_B7_IN_USE_DBG0 [31:16]																0000000h
		RA_SPARE_B7_IN_USE_DBG0 [15:0]																
R332928 (51480h)	RA_SPARE_B8_ Thread_Ctrl_1	0	0	0	0	0	0	0	0	0	0	0	0	0	0	0	0	0000000h
		RA_SPARE_B8_IN_USE_STS	RA_SPARE_B8_SHARE	0	0	0	0	0	0	0	0	0	0	0	RA_SPARE_B8_OWNER [4:0]			
R332930 (51482h)	RA_SPARE_B8_ Thread_Ctrl_2	0	0	0	0	0	0	0	0	0	0	0	0	0	0	0	0	0000000h
		0	0	0	0	0	0	0	0	0	0	0	0	RA_SPARE_B8_IN_USE_SET [4:0]				
R332932 (51484h)	RA_SPARE_B8_ Thread_Ctrl_3	0	0	0	0	0	0	0	0	0	0	0	0	0	0	0	0	0000000h
		0	0	0	0	0	0	0	0	0	0	0	0	RA_SPARE_B8_IN_USE_CLR [4:0]				
R332936 (51488h)	RA_SPARE_B8_ Thread_Ctrl_Debug_1	RA_SPARE_B8_IN_USE_DBG0 [31:16]																0000000h
		RA_SPARE_B8_IN_USE_DBG0 [15:0]																
R333824 (51800h)	RA_UART_Thread_Ctrl_1	0	0	0	0	0	0	0	0	0	0	0	0	0	0	0	0	0000001h
		0	0	0	0	0	0	0	0	0	0	0	0	0	0	0	0	RA_UART_STS
R333828 (51804h)	RA_UART_Thread_Ctrl_2	0	0	0	0	0	0	0	0	0	0	0	0	0	0	0	0	0000000h
		0	0	0	0	0	0	0	0	0	0	0	0	0	0	0	0	RA_UART_SHARE_STS
R333832 (51808h)	RA_UART_Thread_Ctrl_3	0	0	0	0	0	0	0	0	0	0	0	0	0	0	0	0	0000001h
		0	0	0	0	0	0	0	0	0	0	0	0	RA_UART_NUM [5:0]				

Table 6-2. Register Map Definition—32-bit region (Cont.)

Register	Name	31 15	30 14	29 13	28 12	27 11	26 10	25 9	24 8	23 7	22 6	21 5	20 4	19 3	18 2	17 1	16 0	Default					
R333840 (51810h)	RA_UART1_Thread_Ctrl_1	0	0	0	0	0	0	0	0	0	0	0	0	0	0	0	0	0000000h					
		RA_UART1_IN_USE_STS	RA_UART1_SHARE										RA_UART1_OWNER [4:0]										
R333842 (51812h)	RA_UART1_Thread_Ctrl_2	0	0	0	0	0	0	0	0	0	0	0	0	0	0	0	0	0000000h					
													RA_UART1_IN_USE_SET [4:0]										
R333844 (51814h)	RA_UART1_Thread_Ctrl_3	0	0	0	0	0	0	0	0	0	0	0	0	0	0	0	0	0000000h					
													RA_UART1_IN_USE_CLR [4:0]										
R333848 (51818h)	RA_UART1_Thread_Ctrl_Debug_1	RA_UART1_IN_USE_DBG0 [31:16]																00000000h					
		RA_UART1_IN_USE_DBG0 [15:0]																					
R524288 (80000h)	DSP1_PMEM_0	0	0	0	0	0	0	0	0	0	0	0	DSP1_PM_START [39:32]					00000000h					
		DSP1_PM_START [31:16]																					
R524290 (80002h)	DSP1_PMEM_1	DSP1_PM_START [15:0]																00000000h					
		0	0	0	0	0	0	0	0	0	0	0	DSP1_PM_1 [39:32]										
R524292 (80004h)	DSP1_PMEM_2	DSP1_PM_1 [31:16]																00000000h					
		DSP1_PM_1 [15:0]																					
R561146 (88FFAh)	DSP1_PMEM_18429	0	0	0	0	0	0	0	0	0	0	0	DSP1_PM_12286 [39:32]					00000000h					
		DSP1_PM_12286 [31:16]																					
R561148 (88FFCh)	DSP1_PMEM_18430	DSP1_PM_12286 [15:0]																00000000h					
		0	0	0	0	0	0	0	0	0	0	0	DSP1_PM_END [39:32]										
R561150 (88FFeh)	DSP1_PMEM_18431	DSP1_PM_END [31:16]																00000000h					
		DSP1_PM_END [15:0]																					
R655360 (A0000h)	DSP1_XMEM_0	0	0	0	0	0	0	0	0	0	0	0	DSP1_XM_START [23:16]					00000000h					
		DSP1_XM_START [15:0]																					
R655362 (A0002h)	DSP1_XMEM_1	0	0	0	0	0	0	0	0	0	0	0	DSP1_XM_1 [23:16]					00000000h					
		DSP1_XM_1 [15:0]																					
R696316 (A9FFCh)	DSP1_XMEM_20478	0	0	0	0	0	0	0	0	0	0	0	DSP1_XM_20478 [23:16]					00000000h					
		DSP1_XM_20478 [15:0]																					
R696318 (A9FFeh)	DSP1_XMEM_20479	0	0	0	0	0	0	0	0	0	0	0	DSP1_XM_END [23:16]					00000000h					
		DSP1_XM_END [15:0]																					
R786432 (C0000h)	DSP1_YMEM_0	0	0	0	0	0	0	0	0	0	0	0	DSP1_YM_START [23:16]					00000000h					
		DSP1_YM_START [15:0]																					
R786434 (C0002h)	DSP1_YMEM_1	0	0	0	0	0	0	0	0	0	0	0	DSP1_YM_1 [23:16]					00000000h					
		DSP1_YM_1 [15:0]																					
R802812 (C3FFCh)	DSP1_YMEM_8190	0	0	0	0	0	0	0	0	0	0	0	DSP1_YM_8190 [23:16]					00000000h					
		DSP1_YM_8190 [15:0]																					
R802814 (C3FFeh)	DSP1_YMEM_8191	0	0	0	0	0	0	0	0	0	0	0	DSP1_YM_END [23:16]					00000000h					
		DSP1_YM_END [15:0]																					
R917504 (E0000h)	DSP1_ZMEM_0	0	0	0	0	0	0	0	0	0	0	0	DSP1_ZM_START [23:16]					00000000h					
		DSP1_ZM_START [15:0]																					
R917506 (E0002h)	DSP1_ZMEM_1	0	0	0	0	0	0	0	0	0	0	0	DSP1_ZM_1 [23:16]					00000000h					
		DSP1_ZM_1 [15:0]																					
R925692 (E1FFCh)	DSP1_ZMEM_4094	0	0	0	0	0	0	0	0	0	0	0	DSP1_ZM_4094 [23:16]					00000000h					
		DSP1_ZM_4094 [15:0]																					
R925694 (E1FFeh)	DSP1_ZMEM_4095	0	0	0	0	0	0	0	0	0	0	0	DSP1_ZM_END [23:16]					00000000h					
		DSP1_ZM_END [15:0]																					
R1048064 (FFE00h)	DSP1_Config_1	0	0	0	0	0	0	0	0	0	0	0	0	0	0	0	0	00000000h					
		DSP1_RATE [3:0]						0	0	0	0	0	0	DSP1_FLL_AO_CLKENA	0	0	0	0	DSP1_MEM_ENA	DSP1_DBG_CLK_ENA	0	DSP1_CORE_ENA	DSP1_START
R1048066 (FFE02h)	DSP1_Config_2	0	0	0	0	0	0	0	0	0	0	0	0	0	0	0	0	DSP1_CLK_FREQ_SEL [15:0]					
R1048068 (FFE04h)	DSP1_Status_1	DSP1_PING_FULL	DSP1_PONG_FULL	0	0	0	0	0	0	0	0	0	DSP1_WDMA_ACTIVE_CHANNELS [7:0]					00000000h					
		0	0	0	0	0	0	0	0	0	0	0	0	0	0	0	0						
R1048070 (FFE06h)	DSP1_Status_2	DSP1_DUALMEM_COLLISION_ADDR [15:0]																00000000h					
		0	0	0	0	0	0	0	0	0	0	0	0	0	0	0	0	0				DSP1_CLK_AVAIL	
R1048072 (FFE08h)	DSP1_Status_3	0	0	0	0	0	0	0	0	0	0	0	0	0	0	0	0	DSP1_CLK_FREQ_STS [15:0]					
R1048074 (FFE0Ah)	DSP1_Watchdog_1	0	0	0	0	0	0	0	0	0	0	0	0	0	0	0	0	DSP1_WDT_MAX_COUNT [3:0]			DSP1_WDT_ENA		
		0	0	0	0	0	0	0	0	0	0	0	0	0	0	0	0						
R1048080 (FFE10h)	DSP1_WDMA_Buffer_1	DSP1_START_ADDRESS_WDMA_BUFFER_1 [15:0]																00000000h					
		DSP1_START_ADDRESS_WDMA_BUFFER_0 [15:0]																					
R1048082 (FFE12h)	DSP1_WDMA_Buffer_2	DSP1_START_ADDRESS_WDMA_BUFFER_3 [15:0]																00000000h					
		DSP1_START_ADDRESS_WDMA_BUFFER_2 [15:0]																					
R1048084 (FFE14h)	DSP1_WDMA_Buffer_3	DSP1_START_ADDRESS_WDMA_BUFFER_5 [15:0]																00000000h					
		DSP1_START_ADDRESS_WDMA_BUFFER_4 [15:0]																					
R1048086 (FFE16h)	DSP1_WDMA_Buffer_4	DSP1_START_ADDRESS_WDMA_BUFFER_7 [15:0]																00000000h					
		DSP1_START_ADDRESS_WDMA_BUFFER_6 [15:0]																					

Table 6-2. Register Map Definition—32-bit region (Cont.)

Register	Name	31 15	30 14	29 13	28 12	27 11	26 10	25 9	24 8	23 7	22 6	21 5	20 4	19 3	18 2	17 1	16 0	Default		
R1048096 (FFE20h)	DSP1_RDMA_Buffer_1	DSP1_START_ADDRESS_RDMA_BUFFER_1 [15:0]																00000000h		
R1048098 (FFE22h)	DSP1_RDMA_Buffer_2	DSP1_START_ADDRESS_RDMA_BUFFER_0 [15:0]																00000000h		
R1048100 (FFE24h)	DSP1_RDMA_Buffer_3	DSP1_START_ADDRESS_RDMA_BUFFER_3 [15:0]																00000000h		
R1048102 (FFE26h)	DSP1_RDMA_Buffer_4	DSP1_START_ADDRESS_RDMA_BUFFER_2 [15:0]																00000000h		
R1048112 (FFE30h)	DSP1_DMA_Config_1	DSP1_START_ADDRESS_RDMA_BUFFER_4 [15:0]																00000000h		
R1048114 (FFE32h)	DSP1_DMA_Config_2	DSP1_DMA_BUFFER_LENGTH [13:0]																00000000h		
R1048116 (FFE34h)	DSP1_DMA_Config_3	DSP1_WDMA_CHANNEL_ENABLE [7:0]																00000000h		
R1048118 (FFE36h)	DSP1_DMA_Config_4	DSP1_DMA_BUFFER_LENGTH [13:0]																00000000h		
R1048120 (FFE38h)	DSP1_External_Start	DSP1_WDMA_CHANNEL_OFFSET [7:0]																00000000h		
R1048128 (FFE40h)	DSP1_Scratch_1	DSP1_RDMA_CHANNEL_ENABLE [5:0]																00000000h		
R1048130 (FFE42h)	DSP1_Scratch_2	DSP1_RDMA_CHANNEL_ENABLE [5:0]																00000000h		
R1048146 (FFE52h)	DSP1_Bus_Error_Addr	DSP1_START_IN_SEL [4:0]																00000000h		
R1048148 (FFE54h)	DSP1_Ext_window_A	DSP1_SCRATCH_1 [15:0]																00000000h		
R1048150 (FFE56h)	DSP1_Ext_window_B	DSP1_SCRATCH_0 [15:0]																00000000h		
R1048152 (FFE58h)	DSP1_Ext_window_C	DSP1_SCRATCH_3 [15:0]																00000000h		
R1048154 (FFE5Ah)	DSP1_Ext_window_D	DSP1_SCRATCH_2 [15:0]																00000000h		
R1048158 (FFE5Eh)	DSP1_Watchdog_2	DSP1_BUS_ERR_ADDR [23:16]																00000000h		
R1048160 (FFE60h)	DSP1_Identity	DSP1_BUS_ERR_ADDR [15:0]																00000000h		
R1048164 (FFE64h)	DSP1_Region_lock_sts	DSP1_EXT_A_PAGE [15:0]																00000000h		
R1048166 (FFE66h)	DSP1_Region_lock_1	DSP1_EXT_B_PAGE [15:0]																00000000h		
R1048168 (FFE68h)	DSP1_Region_lock_2	DSP1_EXT_C_PAGE [15:0]																00000000h		
R1048170 (FFE6Ah)	DSP1_Region_lock_3	DSP1_EXT_D_PAGE [15:0]																00000000h		
R1048172 (FFE6Ch)	DSP1_Region_lock_4	DSP1_WDT_RESET [15:0]																00000000h		
R1048174 (FFE6Eh)	DSP1_Region_lock_5	DSP1_CORE_NUMBER [4:0]																00000000h		
R1048176 (FFE6Fh)	DSP1_Region_lock_6	DSP1_CTRL_REGION0_LOCK [15:0]																00000000h		
R1048178 (FFE71h)	DSP1_Region_lock_7	DSP1_CTRL_REGION1_LOCK [15:0]																00000000h		
R1048180 (FFE73h)	DSP1_Region_lock_8	DSP1_CTRL_REGION2_LOCK [15:0]																00000000h		
R1048182 (FFE75h)	DSP1_Region_lock_9	DSP1_CTRL_REGION3_LOCK [15:0]																00000000h		
R1048184 (FFE77h)	DSP1_Region_lock_10	DSP1_CTRL_REGION4_LOCK [15:0]																00000000h		
R1048186 (FFE79h)	DSP1_Region_lock_11	DSP1_CTRL_REGION5_LOCK [15:0]																00000000h		
R1048188 (FFE7Bh)	DSP1_Region_lock_12	DSP1_CTRL_REGION6_LOCK [15:0]																00000000h		
R1048190 (FFE7Dh)	DSP1_Region_lock_13	DSP1_CTRL_REGION7_LOCK [15:0]																00000000h		
R1048192 (FFE7Fh)	DSP1_Region_lock_14	DSP1_CTRL_REGION8_LOCK [15:0]																00000000h		
R1048194 (FFE81h)	DSP1_Region_lock_15	DSP1_CTRL_REGION9_LOCK [15:0]																00000000h		
R1048196 (FFE83h)	DSP1_Region_lock_16	DSP1_CTRL_REGION0_LOCK [15:0]																00000000h		
R1048198 (FFE85h)	DSP1_Region_lock_17	DSP1_CTRL_REGION1_LOCK [15:0]																00000000h		
R1048200 (FFE87h)	DSP1_Region_lock_18	DSP1_CTRL_REGION2_LOCK [15:0]																00000000h		
R1048202 (FFE89h)	DSP1_Region_lock_19	DSP1_CTRL_REGION3_LOCK [15:0]																00000000h		
R1048204 (FFE8Bh)	DSP1_Region_lock_20	DSP1_CTRL_REGION4_LOCK [15:0]																00000000h		
R1048206 (FFE8Dh)	DSP1_Region_lock_21	DSP1_CTRL_REGION5_LOCK [15:0]																00000000h		
R1048208 (FFE8Fh)	DSP1_Region_lock_22	DSP1_CTRL_REGION6_LOCK [15:0]																00000000h		
R1048210 (FFE91h)	DSP1_Region_lock_23	DSP1_CTRL_REGION7_LOCK [15:0]																00000000h		
R1048212 (FFE93h)	DSP1_Region_lock_24	DSP1_CTRL_REGION8_LOCK [15:0]																00000000h		
R1048214 (FFE95h)	DSP1_Region_lock_25	DSP1_CTRL_REGION9_LOCK [15:0]																00000000h		
R1048216 (FFE97h)	DSP1_Region_lock_26	DSP1_CTRL_REGION0_LOCK [15:0]																00000000h		
R1048218 (FFE99h)	DSP1_Region_lock_27	DSP1_CTRL_REGION1_LOCK [15:0]																00000000h		
R1048220 (FFE9Bh)	DSP1_Region_lock_28	DSP1_CTRL_REGION2_LOCK [15:0]																00000000h		
R1048222 (FFE9Dh)	DSP1_Region_lock_29	DSP1_CTRL_REGION3_LOCK [15:0]																00000000h		
R1048224 (FFE9Fh)	DSP1_Region_lock_30	DSP1_CTRL_REGION4_LOCK [15:0]																00000000h		
R1048226 (FFEA1h)	DSP1_Region_lock_31	DSP1_CTRL_REGION5_LOCK [15:0]																00000000h		
R1048228 (FFEA3h)	DSP1_Region_lock_32	DSP1_CTRL_REGION6_LOCK [15:0]																00000000h		
R1048230 (FFEA5h)	DSP1_Region_lock_33	DSP1_CTRL_REGION7_LOCK [15:0]																00000000h		
R1048232 (FFEA7h)	DSP1_Region_lock_34	DSP1_CTRL_REGION8_LOCK [15:0]																00000000h		
R1048234 (FFEA9h)	DSP1_Region_lock_35	DSP1_CTRL_REGION9_LOCK [15:0]																00000000h		
R1048236 (FFEABh)	DSP1_Region_lock_36	DSP1_CTRL_REGION0_LOCK [15:0]																00000000h		
R1048238 (FFEADh)	DSP1_Region_lock_37	DSP1_CTRL_REGION1_LOCK [15:0]																00000000h		
R1048240 (FEAEFh)	DSP1_Region_lock_38	DSP1_CTRL_REGION2_LOCK [15:0]																00000000h		
R1048242 (FEAF1h)	DSP1_Region_lock_39	DSP1_CTRL_REGION3_LOCK [15:0]																00000000h		
R1048244 (FEAF3h)	DSP1_Region_lock_40	DSP1_CTRL_REGION4_LOCK [15:0]																00000000h		
R1048246 (FEAF5h)	DSP1_Region_lock_41	DSP1_CTRL_REGION5_LOCK [15:0]																00000000h		
R1048248 (FEAF7h)	DSP1_Region_lock_42	DSP1_CTRL_REGION6_LOCK [15:0]																00000000h		
R1048250 (FEAF9h)	DSP1_Region_lock_43	DSP1_CTRL_REGION7_LOCK [15:0]																00000000h		
R1048252 (FEAFBh)	DSP1_Region_lock_44	DSP1_CTRL_REGION8_LOCK [15:0]																00000000h		
R1048254 (FEAFDh)	DSP1_Region_lock_45	DSP1_CTRL_REGION9_LOCK [15:0]																00000000h		
R1048256 (FEAF7h)	DSP1_Region_lock_ctrl	DSP1_LOCK_ERR_STS	DSP1_ADDR_ERR_STS	DSP1_WDT_TIMEOUT_STS														DSP1_ERR_PAUSE	DSP1_ERR_CLEAR	00000000h
R1048188 (FFE7Ch)	DSP1_PMEM_Err Addr_XMEM_Err Addr	DSP1_PMEM_ERR_ADDR [14:0]																00000000h		
R1048576 (100000h)	DSP2_PMEM_0	DSP1_XMEM_ERR_ADDR [15:0]																00000000h		
R1048578 (100002h)	DSP2_PMEM_1	DSP2_PM_START [31:16]																00000000h		
R1048580 (100004h)	DSP2_PMEM_2	DSP2_PM_START [15:0]																00000000h		
R1110010 (10EFFAh)	DSP2_PMEM_30717	DSP2_PM_1 [31:16]																00000000h		
R1110012 (10EFFCh)	DSP2_PMEM_30718	DSP2_PM_1 [15:0]																00000000h		
R1110014 (10EFFEh)	DSP2_PMEM_30719	DSP2_PM_20478 [31:16]																00000000h		
R1110016 (10EFFFh)	DSP2_PMEM_30720	DSP2_PM_20478 [15:0]																00000000h		
R1110018 (10E000h)	DSP2_PMEM_30721	DSP2_PM_END [31:16]																00000000h		
R1110020 (10E002h)	DSP2_PMEM_30722	DSP2_PM_END [15:0]																00000000h		

Table 6-2. Register Map Definition—32-bit region (Cont.)

Register	Name	31 15	30 14	29 13	28 12	27 11	26 10	25 9	24 8	23 7	22 6	21 5	20 4	19 3	18 2	17 1	16 0	Default								
R1110014 (10EFFEh)	DSP2_PMEM_30719	DSP2_PM_END [31:16]																00000000h								
		DSP2_PM_END [15:0]																								
R1179648 (120000h)	DSP2_XMEM_0	0	0	0	0	0	0	0	0	DSP2_XM_START [23:16]								00000000h								
		DSP2_XM_START [15:0]																								
R1179650 (120002h)	DSP2_XMEM_1	0	0	0	0	0	0	0	0	DSP2_XM_1 [23:16]								00000000h								
		DSP2_XM_1 [15:0]																								
R1228796 (12BFFCh)	DSP2_XMEM_24574	0	0	0	0	0	0	0	0	DSP2_XM_24574 [23:16]								00000000h								
		DSP2_XM_24574 [15:0]																								
R1228798 (12BFFEh)	DSP2_XMEM_24575	0	0	0	0	0	0	0	0	DSP2_XM_END [23:16]								00000000h								
		DSP2_XM_END [15:0]																								
R1269760 (136000h)	DSP2_XMEM_EXT_0	0	0	0	0	0	0	0	0	DSP2_XM_EXT_START [23:16]								00000000h								
		DSP2_XM_EXT_START [15:0]																								
R1269762 (136002h)	DSP2_XMEM_EXT_1	0	0	0	0	0	0	0	0	DSP2_XM_EXT_1 [23:16]								00000000h								
		DSP2_XM_EXT_1 [15:0]																								
R1277948 (137FFCh)	DSP2_XMEM_EXT_4094	0	0	0	0	0	0	0	0	DSP2_XM_EXT_4094 [23:16]								00000000h								
		DSP2_XM_EXT_4094 [15:0]																								
R1277950 (137FFEh)	DSP2_XMEM_EXT_4095	0	0	0	0	0	0	0	0	DSP2_XM_EXT_END [23:16]								00000000h								
		DSP2_XM_EXT_END [15:0]																								
R1310720 (140000h)	DSP2_YMEM_0	0	0	0	0	0	0	0	0	DSP2_YM_START [23:16]								00000000h								
		DSP2_YM_START [15:0]																								
R1310722 (140002h)	DSP2_YMEM_1	0	0	0	0	0	0	0	0	DSP2_YM_1 [23:16]								00000000h								
		DSP2_YM_1 [15:0]																								
R1359868 (14BFFCh)	DSP2_YMEM_24574	0	0	0	0	0	0	0	0	DSP2_YM_24574 [23:16]								00000000h								
		DSP2_YM_24574 [15:0]																								
R1359870 (14BFFEh)	DSP2_YMEM_24575	0	0	0	0	0	0	0	0	DSP2_YM_END [23:16]								00000000h								
		DSP2_YM_END [15:0]																								
R1441792 (160000h)	DSP2_ZMEM_0	0	0	0	0	0	0	0	0	DSP2_ZM_START [23:16]								00000000h								
		DSP2_ZM_START [15:0]																								
R1441794 (160002h)	DSP2_ZMEM_1	0	0	0	0	0	0	0	0	DSP2_ZM_1 [23:16]								00000000h								
		DSP2_ZM_1 [15:0]																								
R1449980 (161FFCh)	DSP2_ZMEM_4094	0	0	0	0	0	0	0	0	DSP2_ZM_4094 [23:16]								00000000h								
		DSP2_ZM_4094 [15:0]																								
R1449982 (161FFEh)	DSP2_ZMEM_4095	0	0	0	0	0	0	0	0	DSP2_ZM_END [23:16]								00000000h								
		DSP2_ZM_END [15:0]																								
R1572352 (17FE00h)	DSP2_Config_1	0	0	0	0	0	0	0	0	DSP2_FLL_AO_CLKENA	0	0	0	0	0	0	0	0	DSP2_MEM_ENA	DSP2_DBG_CLK_ENA	0	DSP2_CORE_ENA	DSP2_START	00000000h		
		DSP2_RATE [3:0]			0			0			0			0			0			0			0			
R1572354 (17FE02h)	DSP2_Config_2	DSP2_CLK_FREQ_SEL [15:0]																00000000h								
R1572356 (17FE04h)	DSP2_Status_1	DSP2_PING_FULL	DSP2_PONG_FULL	0	0	0	0	0	0	DSP2_WDMA_ACTIVE_CHANNELS [7:0]								00000000h								
		0	0	0	0	0	0	0	0	0								0								
R1572358 (17FE06h)	DSP2_Status_2	DSP2_DUALMEM_COLLISION_ADDR [15:0]																00000000h								
		0	0	0	0	0	0	0	0	0								0	DSP2_CLK_AVAIL	0						
R1572360 (17FE08h)	DSP2_Status_3	0	0	0	0	0	0	0	0	DSP2_CLK_FREQ_STS [15:0]								00000000h								
		0																								
R1572362 (17FE0Ah)	DSP2_Watchdog_1	0	0	0	0	0	0	0	0	0								DSP2_WDT_MAX_COUNT [3:0]	0	DSP2_WDT_ENA	00000000h					
		0			0			0			0			0			0			0						
R1572368 (17FE10h)	DSP2_WDMA_Buffer_1	DSP2_START_ADDRESS_WDMA_BUFFER_1 [15:0]																00000000h								
		DSP2_START_ADDRESS_WDMA_BUFFER_0 [15:0]																								
R1572370 (17FE12h)	DSP2_WDMA_Buffer_2	DSP2_START_ADDRESS_WDMA_BUFFER_3 [15:0]																00000000h								
		DSP2_START_ADDRESS_WDMA_BUFFER_2 [15:0]																								
R1572372 (17FE14h)	DSP2_WDMA_Buffer_3	DSP2_START_ADDRESS_WDMA_BUFFER_5 [15:0]																00000000h								
		DSP2_START_ADDRESS_WDMA_BUFFER_4 [15:0]																								
R1572374 (17FE16h)	DSP2_WDMA_Buffer_4	DSP2_START_ADDRESS_WDMA_BUFFER_7 [15:0]																00000000h								
		DSP2_START_ADDRESS_WDMA_BUFFER_6 [15:0]																								
R1572384 (17FE20h)	DSP2_RDMA_Buffer_1	DSP2_START_ADDRESS_RDMA_BUFFER_1 [15:0]																00000000h								
		DSP2_START_ADDRESS_RDMA_BUFFER_0 [15:0]																								
R1572386 (17FE22h)	DSP2_RDMA_Buffer_2	DSP2_START_ADDRESS_RDMA_BUFFER_3 [15:0]																00000000h								
		DSP2_START_ADDRESS_RDMA_BUFFER_2 [15:0]																								
R1572388 (17FE24h)	DSP2_RDMA_Buffer_3	DSP2_START_ADDRESS_RDMA_BUFFER_5 [15:0]																00000000h								
		DSP2_START_ADDRESS_RDMA_BUFFER_4 [15:0]																								
R1572400 (17FE30h)	DSP2_DMA_Config_1	0	0	0	0	0	0	0	0	DSP2_WDMA_CHANNEL_ENABLE [7:0]								00000000h								
		0		DSP2_DMA_BUFFER_LENGTH [13:0]																						
R1572402 (17FE32h)	DSP2_DMA_Config_2	0	0	0	0	0	0	0	0	0								0	DSP2_WDMA_CHANNEL_OFFSET [7:0]			00000000h				
		0			0			0			0			0			0									
R1572404 (17FE34h)	DSP2_DMA_Config_3	0	0	0	0	0	0	0	0	0								DSP2_RDMA_CHANNEL_OFFSET [5:0]			00000000h					
		0			0			0			0			0			DSP2_RDMA_CHANNEL_ENABLE [5:0]									

Table 6-2. Register Map Definition—32-bit region (Cont.)

Register	Name	31 15	30 14	29 13	28 12	27 11	26 10	25 9	24 8	23 7	22 6	21 5	20 4	19 3	18 2	17 1	16 0	Default	
R1572406 (17FE36h)	DSP2_DMA_Config_4	0	0	0	0	0	0	0	0	0	0	0	0	0	0	0	0	0000000h	
		0	0	0	0	0	0	0	0	0	0	0	0	0	0	0	0	DSP2_DMA_WORD_SEL	
R1572408 (17FE38h)	DSP2_External_Start	0	0	0	0	0	0	0	0	0	0	0	0	0	0	0	0	0000000h	
		0	0	0	0	0	0	0	0	0	0	0	DSP2_START_IN_SEL [4:0]						
R1572416 (17FE40h)	DSP2_Scratch_1	DSP2_SCRATCH_1 [15:0]																0000000h	
		DSP2_SCRATCH_0 [15:0]																	
R1572418 (17FE42h)	DSP2_Scratch_2	DSP2_SCRATCH_3 [15:0]																0000000h	
		DSP2_SCRATCH_2 [15:0]																	
R1572434 (17FE52h)	DSP2_Bus_Error_Addr	0	0	0	0	0	0	0	0	0	0	0	0	0	0	0	0	0000000h	
		DSP2_BUS_ERR_ADDR [23:16]																	
		DSP2_BUS_ERR_ADDR [15:0]																	
R1572436 (17FE54h)	DSP2_Ext_window_A	DSP2_EXT_A PSIZE[16]	0	0	0	0	0	0	0	0	0	0	0	0	0	0	0	0000000h	
		DSP2_EXT_A_PAGE [15:0]																	
R1572438 (17FE56h)	DSP2_Ext_window_B	DSP2_EXT_B PSIZE[16]	0	0	0	0	0	0	0	0	0	0	0	0	0	0	0	0000000h	
		DSP2_EXT_B_PAGE [15:0]																	
R1572440 (17FE58h)	DSP2_Ext_window_C	DSP2_EXT_C PSIZE[16]	0	0	0	0	0	0	0	0	0	0	0	0	0	0	0	0000000h	
		DSP2_EXT_C_PAGE [15:0]																	
R1572442 (17FE5Ah)	DSP2_Ext_window_D	DSP2_EXT_D PSIZE[16]	0	0	0	0	0	0	0	0	0	0	0	0	0	0	0	0000000h	
		DSP2_EXT_D_PAGE [15:0]																	
R1572446 (17FE5Eh)	DSP2_Watchdog_2	0	0	0	0	0	0	0	0	0	0	0	0	0	0	0	0	0000000h	
		DSP2_WDT_RESET [15:0]																	
R1572448 (17FE60h)	DSP2_Identity	0	0	0	0	0	0	0	0	0	0	0	0	0	0	0	0	0000000h	
		0	0	0	0	0	0	0	0	0	0	0	DSP2_CORE_NUMBER [4:0]						
R1572452 (17FE64h)	DSP2_Region_lock_sts_0	0	0	0	0	0	0	0	0	0	0	0	0	0	0	0	0	0000000h	
		0	0	0	0	0	0	DSP2_CTRL_REGION9 LOCK_STS	DSP2_CTRL_REGION8 LOCK_STS	DSP2_CTRL_REGION7 LOCK_STS	DSP2_CTRL_REGION6 LOCK_STS	DSP2_CTRL_REGION5 LOCK_STS	DSP2_CTRL_REGION4 LOCK_STS	DSP2_CTRL_REGION3 LOCK_STS	DSP2_CTRL_REGION2 LOCK_STS	DSP2_CTRL_REGION1 LOCK_STS	DSP2_CTRL_REGION0 LOCK_STS		
R1572454 (17FE66h)	DSP2_Region_lock_1 DSP2_Region_lock_0	DSP2_CTRL_REGION1_LOCK [15:0]																0000000h	
		DSP2_CTRL_REGION0_LOCK [15:0]																	
R1572456 (17FE68h)	DSP2_Region_lock_3 DSP2_Region_lock_2	DSP2_CTRL_REGION3_LOCK [15:0]																0000000h	
		DSP2_CTRL_REGION2_LOCK [15:0]																	
R1572458 (17FE6Ah)	DSP2_Region_lock_5 DSP2_Region_lock_4	DSP2_CTRL_REGION5_LOCK [15:0]																0000000h	
		DSP2_CTRL_REGION4_LOCK [15:0]																	
R1572460 (17FE6Ch)	DSP2_Region_lock_7 DSP2_Region_lock_6	DSP2_CTRL_REGION7_LOCK [15:0]																0000000h	
		DSP2_CTRL_REGION6_LOCK [15:0]																	
R1572462 (17FE6Eh)	DSP2_Region_lock_9 DSP2_Region_lock_8	DSP2_CTRL_REGION9_LOCK [15:0]																0000000h	
		DSP2_CTRL_REGION8_LOCK [15:0]																	
R1572474 (17FE7Ah)	DSP2_Region_lock_ctrl_0	DSP2_LOCK_ERR_STS	0	0	0	0	0	0	0	0	0	0	0	0	0	0	0	0000000h	
		DSP2_ADDR_ERR_STS	0	0	0	0	0	0	0	0	0	0	0	0	0	0	0	DSP2_ERR_PAUSE	
		DSP2_WDT_TIMEOUT_STS	0	0	0	0	0	0	0	0	0	0	0	0	0	0	0	DSP2_ERR_CLEAR	
R1572476 (17FE7Ch)	DSP2_PMEM_Err_Addr_XMEM_Err_Addr	0	DSP2_PMEM_ERR_ADDR [14:0]																0000000h
		DSP2_XMEM_ERR_ADDR [15:0]																	
R1572864 (180000h)	DSP3_PMEM_0	0	0	0	0	0	0	0	0	0	0	0	DSP3_PM_START [39:32]				0000000h		
		DSP3_PM_START [31:16]																	
R1572866 (180002h)	DSP3_PMEM_1	DSP3_PM_START [15:0]																0000000h	
		0	0	0	0	0	0	0	0	0	0	DSP3_PM_1 [39:32]							
R1572868 (180004h)	DSP3_PMEM_2	DSP3_PM_1 [31:16]																0000000h	
		DSP3_PM_1 [15:0]																	
R1634298 (18EFFAh)	DSP3_PMEM_30717	0	0	0	0	0	0	0	0	0	0	DSP3_PM_20478 [39:32]				0000000h			
		DSP3_PM_20478 [31:16]																	
R1634300 (18EFFCh)	DSP3_PMEM_30718	DSP3_PM_20478 [15:0]																0000000h	
		0	0	0	0	0	0	0	0	0	DSP3_PM_END [39:32]								
R1634302 (18EFFEh)	DSP3_PMEM_30719	DSP3_PM_END [31:16]																0000000h	
		DSP3_PM_END [15:0]																	
R1703936 (1A0000h)	DSP3_XMEM_0	0	0	0	0	0	0	0	0	0	0	DSP3_XM_START [23:16]				0000000h			
		DSP3_XM_START [15:0]																	
R1703938 (1A0002h)	DSP3_XMEM_1	DSP3_XM_1 [23:16]																0000000h	
		DSP3_XM_1 [15:0]																	
R1777660 (1B1FFCh)	DSP3_XMEM_36862	0	0	0	0	0	0	0	0	0	DSP3_XM_36862 [23:16]				0000000h				
		DSP3_XM_36862 [15:0]																	
R1777662 (1B1FFEh)	DSP3_XMEM_36863	0	0	0	0	0	0	0	0	0	DSP3_XM_END [23:16]				0000000h				
		DSP3_XM_END [15:0]																	
R1794048 (1B6000h)	DSP3_XMEM_EXT_0	0	0	0	0	0	0	0	0	0	DSP3_XM_EXT_START [23:16]				0000000h				
		DSP3_XM_EXT_START [15:0]																	

Table 6-2. Register Map Definition—32-bit region (Cont.)

Register	Name	31 15	30 14	29 13	28 12	27 11	26 10	25 9	24 8	23 7	22 6	21 5	20 4	19 3	18 2	17 1	16 0	Default					
R1794050 (1B6002h)	DSP3_XMEM_EXT_1	0	0	0	0	0	0	0	0	DSP3_XM_EXT_1 [23:16]							00000000h						
		DSP3_XM_EXT_1 [15:0]																					
R1802236 (1B7FFCh)	DSP3_XMEM_EXT_4094	0	0	0	0	0	0	0	0	DSP3_XM_EXT_4094 [23:16]							00000000h						
		DSP3_XM_EXT_4094 [15:0]																					
R1802238 (1B7FFEh)	DSP3_XMEM_EXT_4095	0	0	0	0	0	0	0	0	DSP3_XM_EXT_END [23:16]							00000000h						
		DSP3_XM_EXT_END [15:0]																					
R1835008 (1C0000h)	DSP3_YMEM_0	0	0	0	0	0	0	0	0	DSP3_YM_START [23:16]							00000000h						
		DSP3_YM_START [15:0]																					
R1835010 (1C0002h)	DSP3_YMEM_1	0	0	0	0	0	0	0	0	DSP3_YM_1 [23:16]							00000000h						
		DSP3_YM_1 [15:0]																					
R1884156 (1CBFFCh)	DSP3_YMEM_24574	0	0	0	0	0	0	0	0	DSP3_YM_24574 [23:16]							00000000h						
		DSP3_YM_24574 [15:0]																					
R1884158 (1CBFFEh)	DSP3_YMEM_24575	0	0	0	0	0	0	0	0	DSP3_YM_END [23:16]							00000000h						
		DSP3_YM_END [15:0]																					
R1966080 (1E0000h)	DSP3_ZMEM_0	0	0	0	0	0	0	0	0	DSP3_ZM_START [23:16]							00000000h						
		DSP3_ZM_START [15:0]																					
R1966082 (1E0002h)	DSP3_ZMEM_1	0	0	0	0	0	0	0	0	DSP3_ZM_1 [23:16]							00000000h						
		DSP3_ZM_1 [15:0]																					
R1974268 (1E1FFCh)	DSP3_ZMEM_4094	0	0	0	0	0	0	0	0	DSP3_ZM_4094 [23:16]							00000000h						
		DSP3_ZM_4094 [15:0]																					
R1974270 (1E1FFEh)	DSP3_ZMEM_4095	0	0	0	0	0	0	0	0	DSP3_ZM_END [23:16]							00000000h						
		DSP3_ZM_END [15:0]																					
R2096640 (1FFE00h)	DSP3_Config_1	0	0	0	0	0	0	0	0	DSP3_FLL_AO_CLKENA	0	0	0	0	0	0	0	DSP3_MEM_ENA	DSP3_DBG_CLK_ENA	0	DSP3_CORE_ENA	DSP3_START	00000000h
		0	DSP3_RATE [3:0]					0	0	0	0	0	0	DSP3_MEM_ENA	DSP3_DBG_CLK_ENA	0	DSP3_CORE_ENA	DSP3_START					
R2096642 (1FFE02h)	DSP3_Config_2	0	0	0	0	0	0	0	0	0	0	0	0	0	0	0	0				00000000h		
		DSP3_CLK_FREQ_SEL [15:0]																					
R2096644 (1FFE04h)	DSP3_Status_1	DSP3_PING_FULL	DSP3_PONG_FULL	0	0	0	0	0	0	DSP3_WDMA_ACTIVE_CHANNELS [7:0]							00000000h						
		0	0	0	0	0	0	0	0	0	0	0	0	0	0	0	0						
R2096646 (1FFE06h)	DSP3_Status_2	DSP3_DUALMEM_COLLISION_ADDR [15:0]															00000000h						
		0	0	0	0	0	0	0	0	0	0	0	0	0	0	0	0	DSP3_CLK_AVAIL					
R2096648 (1FFE08h)	DSP3_Status_3	0	0	0	0	0	0	0	0	0	0	0	0	0	0	0	0				00000000h		
		DSP3_CLK_FREQ_STS [15:0]																					
R2096650 (1FFE0Ah)	DSP3_Watchdog_1	0	0	0	0	0	0	0	0	0	0	0	0	0	0	0	0	DSP3_WDT_MAX_COUNT [3:0]	DSP3_WDT_ENA		00000000h		
		0	0	0	0	0	0	0	0	0	0	0	0	0	0	0	0						
R2096656 (1FFE10h)	DSP3_WDMA_Buffer_1	DSP3_START_ADDRESS_WDMA_BUFFER_1 [15:0]															00000000h						
		DSP3_START_ADDRESS_WDMA_BUFFER_0 [15:0]																					
R2096658 (1FFE12h)	DSP3_WDMA_Buffer_2	DSP3_START_ADDRESS_WDMA_BUFFER_3 [15:0]															00000000h						
		DSP3_START_ADDRESS_WDMA_BUFFER_2 [15:0]																					
R2096660 (1FFE14h)	DSP3_WDMA_Buffer_3	DSP3_START_ADDRESS_WDMA_BUFFER_5 [15:0]															00000000h						
		DSP3_START_ADDRESS_WDMA_BUFFER_4 [15:0]																					
R2096662 (1FFE16h)	DSP3_WDMA_Buffer_4	DSP3_START_ADDRESS_WDMA_BUFFER_7 [15:0]															00000000h						
		DSP3_START_ADDRESS_WDMA_BUFFER_6 [15:0]																					
R2096672 (1FFE20h)	DSP3_RDMA_Buffer_1	DSP3_START_ADDRESS_RDMA_BUFFER_1 [15:0]															00000000h						
		DSP3_START_ADDRESS_RDMA_BUFFER_0 [15:0]																					
R2096674 (1FFE22h)	DSP3_RDMA_Buffer_2	DSP3_START_ADDRESS_RDMA_BUFFER_3 [15:0]															00000000h						
		DSP3_START_ADDRESS_RDMA_BUFFER_2 [15:0]																					
R2096676 (1FFE24h)	DSP3_RDMA_Buffer_3	DSP3_START_ADDRESS_RDMA_BUFFER_5 [15:0]															00000000h						
		DSP3_START_ADDRESS_RDMA_BUFFER_4 [15:0]																					
R2096688 (1FFE30h)	DSP3_DMA_Config_1	0	0	0	0	0	0	0	0	DSP3_WDMA_CHANNEL_ENABLE [7:0]							00000000h						
		0	0	DSP3_DMA_BUFFER_LENGTH [13:0]																			
R2096690 (1FFE32h)	DSP3_DMA_Config_2	0	0	0	0	0	0	0	0	0	0	0	0	0	0	0	0				00000000h		
		0	0	0	0	0	0	0	0	DSP3_WDMA_CHANNEL_OFFSET [7:0]													
R2096692 (1FFE34h)	DSP3_DMA_Config_3	0	0	0	0	0	0	0	0	0	0	DSP3_RDMA_CHANNEL_OFFSET [5:0]					00000000h						
		0	0	0	0	0	0	0	0	0	0	DSP3_RDMA_CHANNEL_ENABLE [5:0]											
R2096694 (1FFE36h)	DSP3_DMA_Config_4	0	0	0	0	0	0	0	0	0	0	0	0	0	0	0	0	DSP3_DMA_WORD_SEL			00000000h		
		0	0	0	0	0	0	0	0	0	0	0	0	0	0	0	0						
R2096696 (1FFE38h)	DSP3_External_Start	0	0	0	0	0	0	0	0	0	0	0	0	0	0	0	0	DSP3_START_IN_SEL [4:0]			00000000h		
		0	0	0	0	0	0	0	0	0	0	0	0	0	0	0	0						
R2096704 (1FFE40h)	DSP3_Scratch_1	DSP3_SCRATCH_1 [15:0]															00000000h						
		DSP3_SCRATCH_0 [15:0]																					
R2096706 (1FFE42h)	DSP3_Scratch_2	DSP3_SCRATCH_3 [15:0]															00000000h						
		DSP3_SCRATCH_2 [15:0]																					
R2096722 (1FFE52h)	DSP3_Bus_Error_Addr	0	0	0	0	0	0	0	0	DSP3_BUS_ERR_ADDR [23:16]							00000000h						
		DSP3_BUS_ERR_ADDR [15:0]																					

Table 6-2. Register Map Definition—32-bit region (Cont.)

Register	Name	31 15	30 14	29 13	28 12	27 11	26 10	25 9	24 8	23 7	22 6	21 5	20 4	19 3	18 2	17 1	16 0	Default	
R2096724 (1FFE54h)	DSP3_Ext_window_A	DSP3_EXT_A PSIZE[16]	0	0	0	0	0	0	0	0	0	0	0	0	0	0	0	0000000h	
		DSP3_EXT_A_PAGE [15:0]																	
R2096726 (1FFE56h)	DSP3_Ext_window_B	DSP3_EXT_B PSIZE[16]	0	0	0	0	0	0	0	0	0	0	0	0	0	0	0	0000000h	
		DSP3_EXT_B_PAGE [15:0]																	
R2096728 (1FFE58h)	DSP3_Ext_window_C	DSP3_EXT_C PSIZE[16]	0	0	0	0	0	0	0	0	0	0	0	0	0	0	0	0000000h	
		DSP3_EXT_C_PAGE [15:0]																	
R2096730 (1FFE5Ah)	DSP3_Ext_window_D	DSP3_EXT_D PSIZE[16]	0	0	0	0	0	0	0	0	0	0	0	0	0	0	0	0000000h	
		DSP3_EXT_D_PAGE [15:0]																	
R2096734 (1FFE5Eh)	DSP3_Watchdog_2	0	0	0	0	0	0	0	0	0	0	0	0	0	0	0	0	0000000h	
		DSP3_WDT_RESET [15:0]																	
R2096736 (1FFE60h)	DSP3_Identity	0	0	0	0	0	0	0	0	0	0	0	0	0	0	0	0	0000000h	
		DSP3_CORE_NUMBER [4:0]																	
R2096740 (1FFE64h)	DSP3_Region_lock_sts_0	0	0	0	0	0	0	0	0	0	0	0	0	0	0	0	0	0000000h	
		0	0	0	0	0	0	DSP3_CTRL_REGION9 LOCK_STS	DSP3_CTRL_REGION8 LOCK_STS	DSP3_CTRL_REGION7 LOCK_STS	DSP3_CTRL_REGION6 LOCK_STS	DSP3_CTRL_REGION5 LOCK_STS	DSP3_CTRL_REGION4 LOCK_STS	DSP3_CTRL_REGION3 LOCK_STS	DSP3_CTRL_REGION2 LOCK_STS	DSP3_CTRL_REGION1 LOCK_STS	DSP3_CTRL_REGION0 LOCK_STS		
R2096742 (1FFE66h)	DSP3_Region_lock_1 _DSP3_Region_lock_0	DSP3_CTRL_REGION1_LOCK [15:0]																	
		DSP3_CTRL_REGION0_LOCK [15:0]																	
R2096744 (1FFE68h)	DSP3_Region_lock_3 _DSP3_Region_lock_2	DSP3_CTRL_REGION3_LOCK [15:0]																	
		DSP3_CTRL_REGION2_LOCK [15:0]																	
R2096746 (1FFE6Ah)	DSP3_Region_lock_5 _DSP3_Region_lock_4	DSP3_CTRL_REGION5_LOCK [15:0]																	
		DSP3_CTRL_REGION4_LOCK [15:0]																	
R2096748 (1FFE6Ch)	DSP3_Region_lock_7 _DSP3_Region_lock_6	DSP3_CTRL_REGION7_LOCK [15:0]																	
		DSP3_CTRL_REGION6_LOCK [15:0]																	
R2096750 (1FFE6Eh)	DSP3_Region_lock_9 _DSP3_Region_lock_8	DSP3_CTRL_REGION9_LOCK [15:0]																	
		DSP3_CTRL_REGION8_LOCK [15:0]																	
R2096762 (1FFE7Ah)	DSP3_Region_lock_ctrl_0	0	0	0	0	0	0	0	0	0	0	0	0	0	0	0	0	0000000h	
		DSP3_LOCK_ERR_STS	DSP3_ADDR_ERR_STS	DSP3_WDT_TIMEOUT_STS	0	0	0	0	0	0	0	0	0	0	0	0	DSP3_ERR_PAUSE	DSP3_ERR_CLEAR	
R2096764 (1FFE7Ch)	DSP3_PMEM_Err_Addr_XMEM_Err_Addr	0	DSP3_PMEM_ERR_ADDR [14:0]														DSP3_XMEM_ERR_ADDR [15:0]		0000000h
R2097152 (200000h)	DSP4_PMEM_0	0	0	0	0	0	0	0	0	DSP4_PM_START [31:16]				DSP4_PM_START [39:32]				0000000h	
		DSP4_PM_START [31:16]																	
R2097154 (200002h)	DSP4_PMEM_1	0	0	0	0	0	0	0	0	DSP4_PM_START [15:0]				DSP4_PM_1 [39:32]				0000000h	
		DSP4_PM_1 [31:16]																	
		DSP4_PM_1 [15:0]																	
R2134010 (208FFAh)	DSP4_PMEM_18429	0	0	0	0	0	0	0	0	DSP4_PM_12286 [31:16]				DSP4_PM_12286 [39:32]				0000000h	
		DSP4_PM_12286 [31:16]																	
R2134012 (208FFCh)	DSP4_PMEM_18430	0	0	0	0	0	0	0	0	DSP4_PM_12286 [15:0]				DSP4_PM_END [39:32]				0000000h	
		DSP4_PM_END [31:16]																	
		DSP4_PM_END [15:0]																	
R2228224 (220000h)	DSP4_XMEM_0	0	0	0	0	0	0	0	0	DSP4_XM_START [15:0]				DSP4_XM_START [23:16]				0000000h	
		DSP4_XM_START [15:0]																	
R2228226 (220002h)	DSP4_XMEM_1	0	0	0	0	0	0	0	0	DSP4_XM_1 [15:0]				DSP4_XM_1 [23:16]				0000000h	
		DSP4_XM_1 [15:0]																	
R2269180 (229FFCh)	DSP4_XMEM_20478	0	0	0	0	0	0	0	0	DSP4_XM_20478 [15:0]				DSP4_XM_20478 [23:16]				0000000h	
		DSP4_XM_20478 [15:0]																	
R2269182 (229FFEh)	DSP4_XMEM_20479	0	0	0	0	0	0	0	0	DSP4_XM_END [15:0]				DSP4_XM_END [23:16]				0000000h	
		DSP4_XM_END [15:0]																	
R2359296 (240000h)	DSP4_YMEM_0	0	0	0	0	0	0	0	0	DSP4_YM_START [15:0]				DSP4_YM_START [23:16]				0000000h	
		DSP4_YM_START [15:0]																	
R2359298 (240002h)	DSP4_YMEM_1	0	0	0	0	0	0	0	0	DSP4_YM_1 [15:0]				DSP4_YM_1 [23:16]				0000000h	
		DSP4_YM_1 [15:0]																	
R2375676 (243FFCh)	DSP4_YMEM_8190	0	0	0	0	0	0	0	0	DSP4_YM_8190 [15:0]				DSP4_YM_8190 [23:16]				0000000h	
		DSP4_YM_8190 [15:0]																	
R2375678 (243FFEh)	DSP4_YMEM_8191	0	0	0	0	0	0	0	0	DSP4_YM_END [15:0]				DSP4_YM_END [23:16]				0000000h	
		DSP4_YM_END [15:0]																	
R2490368 (260000h)	DSP4_ZMEM_0	0	0	0	0	0	0	0	0	DSP4_ZM_START [15:0]				DSP4_ZM_START [23:16]				0000000h	
		DSP4_ZM_START [15:0]																	
R2490370 (260002h)	DSP4_ZMEM_1	0	0	0	0	0	0	0	0	DSP4_ZM_1 [15:0]				DSP4_ZM_1 [23:16]				0000000h	
		DSP4_ZM_1 [15:0]																	
R2498556 (261FFCh)	DSP4_ZMEM_4094	0	0	0	0	0	0	0	0	DSP4_ZM_4094 [15:0]				DSP4_ZM_4094 [23:16]				0000000h	
		DSP4_ZM_4094 [15:0]																	

Table 6-2. Register Map Definition—32-bit region (Cont.)

Register	Name	31 15	30 14	29 13	28 12	27 11	26 10	25 9	24 8	23 7	22 6	21 5	20 4	19 3	18 2	17 1	16 0	Default					
R2498558 (261FFEh)	DSP4_ZMEM_4095	0	0	0	0	0	0	0	0	DSP4_ZM_END [23:16]								00000000h					
		DSP4_ZM_END [15:0]																					
R2620928 (27FE00h)	DSP4_Config_1	0	0	0	0	0	0	0	DSP4 FULL_AO CLKENA	0	0	0	0	0	0	0	0	DSP4 MEM_ENA	DSP4 DBG CLK_ENA	0	DSP4 CORE ENA	DSP4 START	00000000h
		0	DSP4_RATE [3:0]				0	0	0	0	0	0	0	DSP4 MEM_ENA	DSP4 DBG CLK_ENA	0	DSP4 CORE ENA	DSP4 START					
R2620930 (27FE02h)	DSP4_Config_2	0	0	0	0	0	0	0	0	0	0	0	0	0	0	0	0				00000000h		
		DSP4_CLK_FREQ_SEL [15:0]																					
R2620932 (27FE04h)	DSP4_Status_1	DSP4 PING FULL	DSP4 PONG FULL	0	0	0	0	0	0	DSP4_WDMA_ACTIVE_CHANNELS [7:0]								00000000h					
		0	0	0	0	0	0	0	0	0	0	0	0	0	0	0	0						
R2620934 (27FE06h)	DSP4_Status_2	DSP4_DUALMEM_COLLISION_ADDR [15:0]																00000000h					
		0	0	0	0	0	0	0	0	0	0	0	0	0	0	0	0	DSP4 CLK AVAIL					
R2620936 (27FE08h)	DSP4_Status_3	DSP4_CLK_FREQ_STS [15:0]																00000000h					
R2620938 (27FE0Ah)	DSP4_Watchdog_1	0	0	0	0	0	0	0	0	0	0	0	0	0	0	0	0	DSP4_WDT_MAX_COUNT [3:0]	DSP4 WDT_ENA	00000000h			
		0	0	0	0	0	0	0	0	0	0	0	0	0	0	0	0						
R2620944 (27FE10h)	DSP4_WDMA_Buffer_1	DSP4_START_ADDRESS_WDMA_BUFFER_1 [15:0]																00000000h					
		DSP4_START_ADDRESS_WDMA_BUFFER_0 [15:0]																					
R2620946 (27FE12h)	DSP4_WDMA_Buffer_2	DSP4_START_ADDRESS_WDMA_BUFFER_3 [15:0]																00000000h					
		DSP4_START_ADDRESS_WDMA_BUFFER_2 [15:0]																					
R2620948 (27FE14h)	DSP4_WDMA_Buffer_3	DSP4_START_ADDRESS_WDMA_BUFFER_5 [15:0]																00000000h					
		DSP4_START_ADDRESS_WDMA_BUFFER_4 [15:0]																					
R2620950 (27FE16h)	DSP4_WDMA_Buffer_4	DSP4_START_ADDRESS_WDMA_BUFFER_7 [15:0]																00000000h					
		DSP4_START_ADDRESS_WDMA_BUFFER_6 [15:0]																					
R2620960 (27FE20h)	DSP4_RDMA_Buffer_1	DSP4_START_ADDRESS_RDMA_BUFFER_1 [15:0]																00000000h					
		DSP4_START_ADDRESS_RDMA_BUFFER_0 [15:0]																					
R2620962 (27FE22h)	DSP4_RDMA_Buffer_2	DSP4_START_ADDRESS_RDMA_BUFFER_3 [15:0]																00000000h					
		DSP4_START_ADDRESS_RDMA_BUFFER_2 [15:0]																					
R2620964 (27FE24h)	DSP4_RDMA_Buffer_3	DSP4_START_ADDRESS_RDMA_BUFFER_5 [15:0]																00000000h					
		DSP4_START_ADDRESS_RDMA_BUFFER_4 [15:0]																					
R2620976 (27FE30h)	DSP4_DMA_Config_1	0	0	0	0	0	0	0	0	DSP4_WDMA_CHANNEL_ENABLE [7:0]								00000000h					
		0	0	DSP4_DMA_BUFFER_LENGTH [13:0]																			
R2620978 (27FE32h)	DSP4_DMA_Config_2	0	0	0	0	0	0	0	0	0	0	0	0	0	0	0	0	DSP4_WDMA_CHANNEL_OFFSET [7:0]			00000000h		
		0	0	0	0	0	0	0	0	DSP4_RDMA_CHANNEL_OFFSET [5:0]													
R2620980 (27FE34h)	DSP4_DMA_Config_3	0	0	0	0	0	0	0	0	0	0	DSP4_RDMA_CHANNEL_ENABLE [5:0]					00000000h						
		0	0	0	0	0	0	0	0	0	0	DSP4_WDMA_CHANNEL_ENABLE [7:0]											
R2620982 (27FE36h)	DSP4_DMA_Config_4	0	0	0	0	0	0	0	0	0	0	0	0	0	0	0	0	DSP4 DMA WORD SEL	00000000h				
		0	0	0	0	0	0	0	0	0	0	0	0	0	0	0	0						
R2620984 (27FE38h)	DSP4_External_Start	0	0	0	0	0	0	0	0	0	0	0	0	0	0	0	0	DSP4_START_IN_SEL [4:0]	00000000h				
		0	0	0	0	0	0	0	0	0	0	0	0	0	0	0	0						
R2620992 (27FE40h)	DSP4_Scratch_1	DSP4_SCRATCH_1 [15:0]																00000000h					
		DSP4_SCRATCH_0 [15:0]																					
R2620994 (27FE42h)	DSP4_Scratch_2	DSP4_SCRATCH_3 [15:0]																00000000h					
		DSP4_SCRATCH_2 [15:0]																					
R2621010 (27FE52h)	DSP4_Bus_Error_Addr	0	0	0	0	0	0	0	0	DSP4_BUS_ERR_ADDR [23:16]								00000000h					
		DSP4_BUS_ERR_ADDR [15:0]																					
R2621012 (27FE54h)	DSP4_Ext_window_A	DSP4 EXT_A PSIZE16	0	0	0	0	0	0	0	0	0	0	0	0	0	0	0	DSP4_EXT_A_PAGE [15:0]			00000000h		
		DSP4_EXT_A_PAGE [15:0]																					
R2621014 (27FE56h)	DSP4_Ext_window_B	DSP4 EXT_B PSIZE16	0	0	0	0	0	0	0	0	0	0	0	0	0	0	0	DSP4_EXT_B_PAGE [15:0]			00000000h		
		DSP4_EXT_B_PAGE [15:0]																					
R2621016 (27FE58h)	DSP4_Ext_window_C	DSP4 EXT_C PSIZE16	0	0	0	0	0	0	0	0	0	0	0	0	0	0	0	DSP4_EXT_C_PAGE [15:0]			00000000h		
		DSP4_EXT_C_PAGE [15:0]																					
R2621018 (27FE5Ah)	DSP4_Ext_window_D	DSP4 EXT_D PSIZE16	0	0	0	0	0	0	0	0	0	0	0	0	0	0	0	DSP4_EXT_D_PAGE [15:0]			00000000h		
		DSP4_EXT_D_PAGE [15:0]																					
R2621022 (27FE5Eh)	DSP4_Watchdog_2	0	0	0	0	0	0	0	0	0	0	0	0	0	0	0	0	DSP4_WDT_RESET [15:0]			00000000h		
		DSP4_WDT_RESET [15:0]																					
R2621024 (27FE60h)	DSP4_Identity	0	0	0	0	0	0	0	0	0	0	0	0	0	0	0	0	DSP4_CORE_NUMBER [4:0]			00000000h		
		0	0	0	0	0	0	0	0	0	0	0	0	0	0	0	0						

Table 6-2. Register Map Definition—32-bit region (Cont.)

Register	Name	31 15	30 14	29 13	28 12	27 11	26 10	25 9	24 8	23 7	22 6	21 5	20 4	19 3	18 2	17 1	16 0	Default
R2621028 (27FE64h)	DSP4_Region_lock_sts_0	0	0	0	0	0	0	0	0	0	0	0	0	0	0	0	0	0000000h
		0	0	0	0	0	0	DSP4_CTRL_REGION9_LOCK_STS	DSP4_CTRL_REGION8_LOCK_STS	DSP4_CTRL_REGION7_LOCK_STS	DSP4_CTRL_REGION6_LOCK_STS	DSP4_CTRL_REGION5_LOCK_STS	DSP4_CTRL_REGION4_LOCK_STS	DSP4_CTRL_REGION3_LOCK_STS	DSP4_CTRL_REGION2_LOCK_STS	DSP4_CTRL_REGION1_LOCK_STS	DSP4_CTRL_REGION0_LOCK_STS	
R2621030 (27FE66h)	DSP4_Region_lock_1 _DSP4_Region_lock_0	DSP4_CTRL_REGION1_LOCK [15:0] DSP4_CTRL_REGION0_LOCK [15:0]																0000000h
R2621032 (27FE68h)	DSP4_Region_lock_3 _DSP4_Region_lock_2	DSP4_CTRL_REGION3_LOCK [15:0] DSP4_CTRL_REGION2_LOCK [15:0]																0000000h
R2621034 (27FE6Ah)	DSP4_Region_lock_5 _DSP4_Region_lock_4	DSP4_CTRL_REGION5_LOCK [15:0] DSP4_CTRL_REGION4_LOCK [15:0]																0000000h
R2621036 (27FE6Ch)	DSP4_Region_lock_7 _DSP4_Region_lock_6	DSP4_CTRL_REGION7_LOCK [15:0] DSP4_CTRL_REGION6_LOCK [15:0]																0000000h
R2621038 (27FE6Eh)	DSP4_Region_lock_9 _DSP4_Region_lock_8	DSP4_CTRL_REGION9_LOCK [15:0] DSP4_CTRL_REGION8_LOCK [15:0]																0000000h
R2621050 (27FE7Ah)	DSP4_Region_lock_ctrl_0	0	0	0	0	0	0	0	0	0	0	0	0	0	0	0	0	0000000h
		DSP4_LOCK_ERR_STS	DSP4_ADDR_ERR_STS	DSP4_WDT_TIMEOUT_STS												DSP4_ERR_PAUSE	DSP4_ERR_CLEAR	
R2621052 (27FE7Ch)	DSP4_PMEM_Err_Addr_XMEM_Err_Addr	DSP4_PMEM_ERR_ADDR [14:0] DSP4_XMEM_ERR_ADDR [15:0]																0000000h
R2621440 (280000h)	DSP5_PMEM_0	DSP5_PM_START [39:32]																0000000h
		DSP5_PM_START [31:16]																
R2621442 (280002h)	DSP5_PMEM_1	DSP5_PM_START [15:0]																0000000h
		DSP5_PM_1 [39:32]																
R2621444 (280004h)	DSP5_PMEM_2	DSP5_PM_1 [31:16]																0000000h
		DSP5_PM_1 [15:0]																
R2658298 (288FFAh)	DSP5_PMEM_18429	DSP5_PM_12286 [39:32]																0000000h
		DSP5_PM_12286 [31:16]																
R2658300 (288FFCh)	DSP5_PMEM_18430	DSP5_PM_12286 [15:0]																0000000h
		DSP5_PM_END [39:32]																
R2658302 (288FFEh)	DSP5_PMEM_18431	DSP5_PM_END [31:16]																0000000h
		DSP5_PM_END [15:0]																
R2752512 (2A0000h)	DSP5_XMEM_0	DSP5_XM_START [23:16]																0000000h
		DSP5_XM_START [15:0]																
R2752514 (2A0002h)	DSP5_XMEM_1	DSP5_XM_1 [23:16]																0000000h
		DSP5_XM_1 [15:0]																
R2793468 (2A9FFCh)	DSP5_XMEM_20478	DSP5_XM_20478 [23:16]																0000000h
		DSP5_XM_20478 [15:0]																
R2793470 (2A9FFEh)	DSP5_XMEM_20479	DSP5_XM_END [23:16]																0000000h
		DSP5_XM_END [15:0]																
R2883584 (2C0000h)	DSP5_YMEM_0	DSP5_YM_START [23:16]																0000000h
		DSP5_YM_START [15:0]																
R2883586 (2C0002h)	DSP5_YMEM_1	DSP5_YM_1 [23:16]																0000000h
		DSP5_YM_1 [15:0]																
R2899964 (2C3FFCh)	DSP5_YMEM_8190	DSP5_YM_8190 [23:16]																0000000h
		DSP5_YM_8190 [15:0]																
R2899966 (2C3FFEh)	DSP5_YMEM_8191	DSP5_YM_END [23:16]																0000000h
		DSP5_YM_END [15:0]																
R3014656 (2E0000h)	DSP5_ZMEM_0	DSP5_ZM_START [23:16]																0000000h
		DSP5_ZM_START [15:0]																
R3014658 (2E0002h)	DSP5_ZMEM_1	DSP5_ZM_1 [23:16]																0000000h
		DSP5_ZM_1 [15:0]																
R3022844 (2E1FFCh)	DSP5_ZMEM_4094	DSP5_ZM_4094 [23:16]																0000000h
		DSP5_ZM_4094 [15:0]																
R3022846 (2E1FFEh)	DSP5_ZMEM_4095	DSP5_ZM_END [23:16]																0000000h
		DSP5_ZM_END [15:0]																
R3145216 (2FFE00h)	DSP5_Config_1	0	0	0	0	0	0	0	DSP5_FLL_AO_CLKENA	0	0	0	0	0	0	0	0	0000000h
		DSP5_RATE [3:0]																
		DSP5_PING_FULL	DSP5_PONG_FULL									DSP5_MEM_ENA	DSP5_DBG_CLK_ENA			DSP5_CORE_ENA	DSP5_START	
R3145218 (2FFE02h)	DSP5_Config_2	DSP5_CLK_FREQ_SEL [15:0]																0000000h
		DSP5_WDMA_ACTIVE_CHANNELS [7:0]																
R3145220 (2FFE04h)	DSP5_Status_1	0	0	0	0	0	0	0	0	0	0	0	0	0	0	0	0	0000000h
		DSP5_DUALMEM_COLLISION_ADDR [15:0]																
R3145222 (2FFE06h)	DSP5_Status_2	0	0	0	0	0	0	0	0	0	0	0	0	0	0	0	0	DSP5_CLK_AVAIL
R3145224 (2FFE08h)	DSP5_Status_3	DSP5_CLK_FREQ_STS [15:0]																0000000h

Table 6-2. Register Map Definition—32-bit region (Cont.)

Register	Name	31 15	30 14	29 13	28 12	27 11	26 10	25 9	24 8	23 7	22 6	21 5	20 4	19 3	18 2	17 1	16 0	Default
R3145226 (2FFE0Ah)	DSP5_Watchdog_1	0	0	0	0	0	0	0	0	0	0	0	0	0	0	0	0	0000000h
		0	0	0	0	0	0	0	0	0	0	0	DSP5_WDT_MAX_COUNT [3:0]			DSP5_WDT_ENA		
R3145232 (2FFE10h)	DSP5_WDMA_Buffer_1	DSP5_START_ADDRESS_WDMA_BUFFER_1 [15:0]																0000000h
		DSP5_START_ADDRESS_WDMA_BUFFER_0 [15:0]																
R3145234 (2FFE12h)	DSP5_WDMA_Buffer_2	DSP5_START_ADDRESS_WDMA_BUFFER_3 [15:0]																0000000h
		DSP5_START_ADDRESS_WDMA_BUFFER_2 [15:0]																
R3145236 (2FFE14h)	DSP5_WDMA_Buffer_3	DSP5_START_ADDRESS_WDMA_BUFFER_5 [15:0]																0000000h
		DSP5_START_ADDRESS_WDMA_BUFFER_4 [15:0]																
R3145238 (2FFE16h)	DSP5_WDMA_Buffer_4	DSP5_START_ADDRESS_WDMA_BUFFER_7 [15:0]																0000000h
		DSP5_START_ADDRESS_WDMA_BUFFER_6 [15:0]																
R3145248 (2FFE20h)	DSP5_RDMA_Buffer_1	DSP5_START_ADDRESS_RDMA_BUFFER_1 [15:0]																0000000h
		DSP5_START_ADDRESS_RDMA_BUFFER_0 [15:0]																
R3145250 (2FFE22h)	DSP5_RDMA_Buffer_2	DSP5_START_ADDRESS_RDMA_BUFFER_3 [15:0]																0000000h
		DSP5_START_ADDRESS_RDMA_BUFFER_2 [15:0]																
R3145252 (2FFE24h)	DSP5_RDMA_Buffer_3	DSP5_START_ADDRESS_RDMA_BUFFER_5 [15:0]																0000000h
		DSP5_START_ADDRESS_RDMA_BUFFER_4 [15:0]																
R3145264 (2FFE30h)	DSP5_DMA_Config_1	0	0	0	0	0	0	0	0	0	0	DSP5_WDMA_CHANNEL_ENABLE [7:0]					0000000h	
		0	0	DSP5_DMA_BUFFER_LENGTH [13:0]														
R3145266 (2FFE32h)	DSP5_DMA_Config_2	0	0	0	0	0	0	0	0	0	0	0	0	0	0	0	0	0000000h
		0	0	0	0	0	0	0	0	DSP5_WDMA_CHANNEL_OFFSET [7:0]								
R3145268 (2FFE34h)	DSP5_DMA_Config_3	0	0	0	0	0	0	0	0	0	0	DSP5_RDMA_CHANNEL_OFFSET [5:0]					0000000h	
		0	0	0	0	0	0	0	0	0	DSP5_RDMA_CHANNEL_ENABLE [5:0]							
R3145270 (2FFE36h)	DSP5_DMA_Config_4	0	0	0	0	0	0	0	0	0	0	0	0	0	0	0	0	0000000h
		0	0	0	0	0	0	0	0	0	0	0	0	0	0	0	DSP5_DMA_WORD_SEL	
R3145272 (2FFE38h)	DSP5_External_Start	0	0	0	0	0	0	0	0	0	0	0	0	0	0	0	0	0000000h
		0	0	0	0	0	0	0	0	0	0	DSP5_START_IN_SEL [4:0]						
R3145280 (2FFE40h)	DSP5_Scratch_1	DSP5_SCRATCH_1 [15:0]																0000000h
		DSP5_SCRATCH_0 [15:0]																
R3145282 (2FFE42h)	DSP5_Scratch_2	DSP5_SCRATCH_3 [15:0]																0000000h
		DSP5_SCRATCH_2 [15:0]																
R3145298 (2FFE52h)	DSP5_Bus_Error_Addr	0	0	0	0	0	0	0	0	DSP5_BUS_ERR_ADDR [23:16]							0000000h	
		DSP5_BUS_ERR_ADDR [15:0]																
R3145300 (2FFE54h)	DSP5_Ext_window_A	DSP5_EXT_A_PSIZE[16]	0	0	0	0	0	0	0	0	0	0	0	0	0	0	0	0000000h
		DSP5_EXT_A_PAGE [15:0]																
R3145302 (2FFE56h)	DSP5_Ext_window_B	DSP5_EXT_B_PSIZE[16]	0	0	0	0	0	0	0	0	0	0	0	0	0	0	0	0000000h
		DSP5_EXT_B_PAGE [15:0]																
R3145304 (2FFE58h)	DSP5_Ext_window_C	DSP5_EXT_C_PSIZE[16]	0	0	0	0	0	0	0	0	0	0	0	0	0	0	0	0000000h
		DSP5_EXT_C_PAGE [15:0]																
R3145306 (2FFE5Ah)	DSP5_Ext_window_D	DSP5_EXT_D_PSIZE[16]	0	0	0	0	0	0	0	0	0	0	0	0	0	0	0	0000000h
		DSP5_EXT_D_PAGE [15:0]																
R3145310 (2FFE5Eh)	DSP5_Watchdog_2	0	0	0	0	0	0	0	0	0	0	0	0	0	0	0	0	0000000h
		DSP5_WDT_RESET [15:0]																
R3145312 (2FFE60h)	DSP5_Identity	0	0	0	0	0	0	0	0	0	0	0	0	0	0	0	0	0000000h
		0	0	0	0	0	0	0	0	0	0	DSP5_CORE_NUMBER [4:0]						
R3145316 (2FFE64h)	DSP5_Region_lock_sts	0	0	0	0	0	0	0	0	0	0	0	0	0	0	0	0	0000000h
		0	0	0	0	0	0	DSP5_CTRL_REGION9_LOCK_STS	DSP5_CTRL_REGION8_LOCK_STS	DSP5_CTRL_REGION7_LOCK_STS	DSP5_CTRL_REGION6_LOCK_STS	DSP5_CTRL_REGION5_LOCK_STS	DSP5_CTRL_REGION4_LOCK_STS	DSP5_CTRL_REGION3_LOCK_STS	DSP5_CTRL_REGION2_LOCK_STS	DSP5_CTRL_REGION1_LOCK_STS	DSP5_CTRL_REGION0_LOCK_STS	
R3145318 (2FFE66h)	DSP5_Region_lock_1	DSP5_CTRL_REGION1_LOCK [15:0]																0000000h
	DSP5_Region_lock_0	DSP5_CTRL_REGION0_LOCK [15:0]																
R3145320 (2FFE68h)	DSP5_Region_lock_3	DSP5_CTRL_REGION3_LOCK [15:0]																0000000h
	DSP5_Region_lock_2	DSP5_CTRL_REGION2_LOCK [15:0]																
R3145322 (2FFE6Ah)	DSP5_Region_lock_5	DSP5_CTRL_REGION5_LOCK [15:0]																0000000h
	DSP5_Region_lock_4	DSP5_CTRL_REGION4_LOCK [15:0]																
R3145324 (2FFE6Ch)	DSP5_Region_lock_7	DSP5_CTRL_REGION7_LOCK [15:0]																0000000h
	DSP5_Region_lock_6	DSP5_CTRL_REGION6_LOCK [15:0]																
R3145326 (2FFE6Eh)	DSP5_Region_lock_9	DSP5_CTRL_REGION9_LOCK [15:0]																0000000h
	DSP5_Region_lock_8	DSP5_CTRL_REGION8_LOCK [15:0]																
R3145338 (2FFE7Ah)	DSP5_Region_lock_ctrl	0	0	0	0	0	0	0	0	0	0	0	0	0	0	0	0	0000000h
		DSP5_LOCK_ERR_STS	DSP5_ADDR_ERR_STS	DSP5_WDT_TIMEOUT_STS	0	0	0	0	0	0	0	0	0	0	0	0	DSP5_ERR_PAUSE	DSP5_ERR_CLEAR

Table 6-2. Register Map Definition—32-bit region (Cont.)

Register	Name	31 15	30 14	29 13	28 12	27 11	26 10	25 9	24 8	23 7	22 6	21 5	20 4	19 3	18 2	17 1	16 0	Default
R3145340 (2FFE7Ch)	DSP5_PMEM_Err Addr_XMEM_Err_ Addr	0																00000000h
		DSP5_PMEM_ERR_ADDR [14:0]																
		DSP5_XMEM_ERR_ADDR [15:0]																
R3145728 (300000h)	DSP6_PMEM_0	0																00000000h
		DSP6_PM_START [39:32]																
		DSP6_PM_START [31:16]																
R3145730 (300002h)	DSP6_PMEM_1	0																00000000h
		DSP6_PM_START [15:0]																
		DSP6_PM_1 [39:32]																
R3145732 (300004h)	DSP6_PMEM_2	0																00000000h
		DSP6_PM_1 [31:16]																
		DSP6_PM_1 [15:0]																
R3182586 (308FFAh)	DSP6_PMEM_18429	0																00000000h
		DSP6_PM_12286 [39:32]																
		DSP6_PM_12286 [31:16]																
R3182588 (308FFCh)	DSP6_PMEM_18430	0																00000000h
		DSP6_PM_12286 [15:0]																
		DSP6_PM_END [39:32]																
R3182590 (308FFEH)	DSP6_PMEM_18431	0																00000000h
		DSP6_PM_END [31:16]																
		DSP6_PM_END [15:0]																
R3276800 (320000h)	DSP6_XMEM_0	0																00000000h
		DSP6_XM_START [23:16]																
		DSP6_XM_START [15:0]																
R3276802 (320002h)	DSP6_XMEM_1	0																00000000h
		DSP6_XM_1 [23:16]																
		DSP6_XM_1 [15:0]																
R3358716 (333FFCh)	DSP6_XMEM_40958	0																00000000h
		DSP6_XM_40958 [23:16]																
		DSP6_XM_40958 [15:0]																
R3358718 (333FFEh)	DSP6_XMEM_40959	0																00000000h
		DSP6_XM_END [23:16]																
		DSP6_XM_END [15:0]																
R3407872 (340000h)	DSP6_YMEM_0	0																00000000h
		DSP6_YM_START [23:16]																
		DSP6_YM_START [15:0]																
R3407874 (340002h)	DSP6_YMEM_1	0																00000000h
		DSP6_YM_1 [23:16]																
		DSP6_YM_1 [15:0]																
R3489788 (353FFCh)	DSP6_YMEM_40958	0																00000000h
		DSP6_YM_40958 [23:16]																
		DSP6_YM_40958 [15:0]																
R3489790 (353FFEh)	DSP6_YMEM_40959	0																00000000h
		DSP6_YM_END [23:16]																
		DSP6_YM_END [15:0]																
R3538944 (360000h)	DSP6_ZMEM_0	0																00000000h
		DSP6_ZM_START [23:16]																
		DSP6_ZM_START [15:0]																
R3538946 (360002h)	DSP6_ZMEM_1	0																00000000h
		DSP6_ZM_1 [23:16]																
		DSP6_ZM_1 [15:0]																
R3547132 (361FFCh)	DSP6_ZMEM_4094	0																00000000h
		DSP6_ZM_4094 [23:16]																
		DSP6_ZM_4094 [15:0]																
R3547134 (361FFEh)	DSP6_ZMEM_4095	0																00000000h
		DSP6_ZM_END [23:16]																
		DSP6_ZM_END [15:0]																
R3669504 (37FE00h)	DSP6_Config_1	0	0	0	0	0	0	0	0	0	0	0	0	0	0	0	0	00000000h
		DSP6_RATE [3:0]																
		DSP6_FLL_AO_CLKENA																
		DSP6_MEM_ENA																
		DSP6_DBG_CLK_ENA																
		DSP6_CORE_ENA																
		DSP6_START																
R3669506 (37FE02h)	DSP6_Config_2	0																00000000h
		DSP6_CLK_FREQ_SEL [15:0]																
R3669508 (37FE04h)	DSP6_Status_1	DSP6_PING_FULL	DSP6_PONG_FULL	0	0	0	0	0	0	0	0	0	0	0	0	0	0	00000000h
		DSP6_WDMA_ACTIVE_CHANNELS [7:0]																
R3669510 (37FE06h)	DSP6_Status_2	0																00000000h
		DSP6_DUALMEM_COLLISION_ADDR [15:0]																
		DSP6_CLK_AVAIL																
R3669512 (37FE08h)	DSP6_Status_3	0																00000000h
		DSP6_CLK_FREQ_STS [15:0]																
R3669514 (37FE0Ah)	DSP6_Watchdog_1	0	0	0	0	0	0	0	0	0	0	0	0	0	0	0	0	00000000h
		DSP6_WDT_MAX_COUNT [3:0]																
		DSP6_WDT_ENA																
R3669520 (37FE10h)	DSP6_WDMA_Buffer_1	0																00000000h
		DSP6_START_ADDRESS_WDMA_BUFFER_1 [15:0]																
		DSP6_START_ADDRESS_WDMA_BUFFER_0 [15:0]																
R3669522 (37FE12h)	DSP6_WDMA_Buffer_2	0																00000000h
		DSP6_START_ADDRESS_WDMA_BUFFER_3 [15:0]																
		DSP6_START_ADDRESS_WDMA_BUFFER_2 [15:0]																
R3669524 (37FE14h)	DSP6_WDMA_Buffer_3	0																00000000h
		DSP6_START_ADDRESS_WDMA_BUFFER_5 [15:0]																
		DSP6_START_ADDRESS_WDMA_BUFFER_4 [15:0]																
R3669526 (37FE16h)	DSP6_WDMA_Buffer_4	0																00000000h
		DSP6_START_ADDRESS_WDMA_BUFFER_7 [15:0]																
		DSP6_START_ADDRESS_WDMA_BUFFER_6 [15:0]																
R3669536 (37FE20h)	DSP6_RDMA_Buffer_1	0																00000000h
		DSP6_START_ADDRESS_RDMA_BUFFER_1 [15:0]																
		DSP6_START_ADDRESS_RDMA_BUFFER_0 [15:0]																
R3669538 (37FE22h)	DSP6_RDMA_Buffer_2	0																00000000h
		DSP6_START_ADDRESS_RDMA_BUFFER_3 [15:0]																
		DSP6_START_ADDRESS_RDMA_BUFFER_2 [15:0]																
R3669540 (37FE24h)	DSP6_RDMA_Buffer_3	0																00000000h
		DSP6_START_ADDRESS_RDMA_BUFFER_5 [15:0]																
		DSP6_START_ADDRESS_RDMA_BUFFER_4 [15:0]																
R3669552 (37FE30h)	DSP6_DMA_Config_1	0	0	0	0	0	0	0	0	0	0	0	0	0	0	0	0	00000000h
		DSP6_WDMA_CHANNEL_ENABLE [7:0]																
		DSP6_DMA_BUFFER_LENGTH [13:0]																

Table 6-2. Register Map Definition—32-bit region (Cont.)

Register	Name	31 15	30 14	29 13	28 12	27 11	26 10	25 9	24 8	23 7	22 6	21 5	20 4	19 3	18 2	17 1	16 0	Default
R3669554 (37FE32h)	DSP6_DMA_Config_2	0	0	0	0	0	0	0	0	0	0	0	0	0	0	0	0	0000000h
R3669556 (37FE34h)	DSP6_DMA_Config_3	DSP6_WDMA_CHANNEL_OFFSET [7:0]																
		DSP6_RDMA_CHANNEL_OFFSET [5:0]																
R3669558 (37FE36h)	DSP6_DMA_Config_4	DSP6_RDMA_CHANNEL_ENABLE [5:0]																
		DSP6_DMA_WORD_SEL																
R3669560 (37FE38h)	DSP6_External_Start	0	0	0	0	0	0	0	0	0	0	0	0	0	0	0	0	0000000h
R3669568 (37FE40h)	DSP6_Scratch_1	DSP6_START_IN_SEL [4:0]																
		DSP6_SCRATCH_1 [15:0]																
R3669570 (37FE42h)	DSP6_Scratch_2	DSP6_SCRATCH_0 [15:0]																
		DSP6_SCRATCH_3 [15:0]																
R3669586 (37FE52h)	DSP6_Bus_Error_Addr	DSP6_SCRATCH_2 [15:0]																
		DSP6_BUS_ERR_ADDR [23:16]																
R3669588 (37FE54h)	DSP6_Ext_window_A	DSP6_BUS_ERR_ADDR [15:0]																
		DSP6_EXT_A_PSIZE[16]	0	0	0	0	0	0	0	0	0	0	0	0	0	0	0	0
R3669590 (37FE56h)	DSP6_Ext_window_B	DSP6_EXT_A_PAGE [15:0]																
		DSP6_EXT_B_PSIZE[16]	0	0	0	0	0	0	0	0	0	0	0	0	0	0	0	0
R3669592 (37FE58h)	DSP6_Ext_window_C	DSP6_EXT_B_PAGE [15:0]																
		DSP6_EXT_C_PSIZE[16]	0	0	0	0	0	0	0	0	0	0	0	0	0	0	0	0
R3669594 (37FE5Ah)	DSP6_Ext_window_D	DSP6_EXT_C_PAGE [15:0]																
		DSP6_EXT_D_PSIZE[16]	0	0	0	0	0	0	0	0	0	0	0	0	0	0	0	0
R3669598 (37FE5Eh)	DSP6_Watchdog_2	DSP6_EXT_D_PAGE [15:0]																
		DSP6_WDT_RESET [15:0]																
R3669600 (37FE60h)	DSP6_Identity	DSP6_CORE_NUMBER [4:0]																
		DSP6_WDT_RESET [15:0]																
R3669604 (37FE64h)	DSP6_Region_lock_sts	DSP6_CTRL_REGION0_LOCK [15:0]																
		DSP6_CTRL_REGION9_LOCK_STS	DSP6_CTRL_REGION8_LOCK_STS	DSP6_CTRL_REGION7_LOCK_STS	DSP6_CTRL_REGION6_LOCK_STS	DSP6_CTRL_REGION5_LOCK_STS	DSP6_CTRL_REGION4_LOCK_STS	DSP6_CTRL_REGION3_LOCK_STS	DSP6_CTRL_REGION2_LOCK_STS	DSP6_CTRL_REGION1_LOCK_STS	DSP6_CTRL_REGION0_LOCK_STS	0	0	0	0	0	0	0
R3669606 (37FE66h)	DSP6_Region_lock_1	DSP6_CTRL_REGION0_LOCK [15:0]																
R3669608 (37FE68h)	DSP6_Region_lock_2	DSP6_CTRL_REGION1_LOCK [15:0]																
		DSP6_CTRL_REGION2_LOCK [15:0]																
R3669610 (37FE6Ah)	DSP6_Region_lock_5	DSP6_CTRL_REGION3_LOCK [15:0]																
		DSP6_CTRL_REGION4_LOCK [15:0]																
R3669612 (37FE6Ch)	DSP6_Region_lock_7	DSP6_CTRL_REGION5_LOCK [15:0]																
		DSP6_CTRL_REGION6_LOCK [15:0]																
R3669614 (37FE6Eh)	DSP6_Region_lock_9	DSP6_CTRL_REGION7_LOCK [15:0]																
		DSP6_CTRL_REGION8_LOCK [15:0]																
R3669626 (37FE7Ah)	DSP6_Region_lock_ctrl	DSP6_CTRL_REGION9_LOCK [15:0]																
		DSP6_LOCK_ERR_STS	DSP6_ADDR_ERR_STS	DSP6_WDT_TIMEOUT_STS	0	0	0	0	0	0	0	0	0	0	0	0	0	0
R3669628 (37FE7Ch)	DSP6_PMEM_Err_Addr	DSP6_PMEM_ERR_ADDR [14:0]																
		DSP6_XMEM_ERR_ADDR [15:0]																
R3670016 (380000h)	DSP7_PMEM_0	DSP7_PM_START [31:16]																
R3670018 (380002h)	DSP7_PMEM_1	DSP7_PM_START [15:0]																
		DSP7_PM_1 [39:32]																
R3670020 (380004h)	DSP7_PMEM_2	DSP7_PM_1 [31:16]																
		DSP7_PM_1 [15:0]																
R3706874 (388FFAh)	DSP7_PMEM_18429	DSP7_PM_12286 [39:32]																
		DSP7_PM_12286 [31:16]																
R3706876 (388FFCh)	DSP7_PMEM_18430	DSP7_PM_12286 [15:0]																
		DSP7_PM_END [39:32]																
R3706878 (388FFEh)	DSP7_PMEM_18431	DSP7_PM_END [31:16]																
		DSP7_PM_END [15:0]																
R3801088 (3A0000h)	DSP7_XMEM_0	DSP7_XM_START [23:16]																
		DSP7_XM_START [15:0]																
R3801090 (3A0002h)	DSP7_XMEM_1	DSP7_XM_1 [23:16]																
		DSP7_XM_1 [15:0]																
R3883004 (3B3FFCh)	DSP7_XMEM_40958	DSP7_XM_40958 [23:16]																
DSP7_XM_40958 [15:0]																		

Table 6-2. Register Map Definition—32-bit region (Cont.)

Register	Name	31 15	30 14	29 13	28 12	27 11	26 10	25 9	24 8	23 7	22 6	21 5	20 4	19 3	18 2	17 1	16 0	Default					
R3883006 (3B3FFEh)	DSP7_XMEM_40959	0	0	0	0	0	0	0	0	DSP7_XM_END [23:16]								00000000h					
		DSP7_XM_END [15:0]																					
R3932160 (3C0000h)	DSP7_YMEM_0	0	0	0	0	0	0	0	0	DSP7_YM_START [23:16]								00000000h					
		DSP7_YM_START [15:0]																					
R3932162 (3C0002h)	DSP7_YMEM_1	0	0	0	0	0	0	0	0	DSP7_YM_1 [23:16]								00000000h					
		DSP7_YM_1 [15:0]																					
R4014076 (3D3FFCh)	DSP7_YMEM_40958	0	0	0	0	0	0	0	0	DSP7_YM_40958 [23:16]								00000000h					
		DSP7_YM_40958 [15:0]																					
R4014078 (3D3FFEh)	DSP7_YMEM_40959	0	0	0	0	0	0	0	0	DSP7_YM_END [23:16]								00000000h					
		DSP7_YM_END [15:0]																					
R4063232 (3E0000h)	DSP7_ZMEM_0	0	0	0	0	0	0	0	0	DSP7_ZM_START [23:16]								00000000h					
		DSP7_ZM_START [15:0]																					
R4063234 (3E0002h)	DSP7_ZMEM_1	0	0	0	0	0	0	0	0	DSP7_ZM_1 [23:16]								00000000h					
		DSP7_ZM_1 [15:0]																					
R4071420 (3E1FFCh)	DSP7_ZMEM_4094	0	0	0	0	0	0	0	0	DSP7_ZM_4094 [23:16]								00000000h					
		DSP7_ZM_4094 [15:0]																					
R4071422 (3E1FFEh)	DSP7_ZMEM_4095	0	0	0	0	0	0	0	0	DSP7_ZM_END [23:16]								00000000h					
		DSP7_ZM_END [15:0]																					
R4193792 (3FFE00h)	DSP7_Config_1	0	0	0	0	0	0	0	0	DSP7_FLL_AO_CLKENA	0	0	0	0	0	0	0	DSP7_MEM_ENA	DSP7_DBG_CLK_ENA	0	DSP7_CORE_ENA	DSP7_START	00000000h
		0	DSP7_RATE [3:0]					0	0	0	0	0	0	DSP7_MEM_ENA	DSP7_DBG_CLK_ENA	0	DSP7_CORE_ENA	DSP7_START					
R4193794 (3FFE02h)	DSP7_Config_2	0	0	0	0	0	0	0	0	0	0	0	0	0	0	0	0	DSP7_CLK_FREQ_SEL [15:0]				00000000h	
R4193796 (3FFE04h)	DSP7_Status_1	DSP7_PING_FULL	DSP7_PONG_FULL	0	0	0	0	0	0	DSP7_WDMA_ACTIVE_CHANNELS [7:0]								00000000h					
		0	0	0	0	0	0	0	0	0	0	0	0	0	0	0	0						
R4193798 (3FFE06h)	DSP7_Status_2	DSP7_DUALMEM_COLLISION_ADDR [15:0]															00000000h						
		0	0	0	0	0	0	0	0	0	0	0	0	0	0	0	0	DSP7_CLK_AVAIL					
R4193800 (3FFE08h)	DSP7_Status_3	0	0	0	0	0	0	0	0	0	0	0	0	0	0	0	0	DSP7_CLK_FREQ_STS [15:0]				00000000h	
R4193802 (3FFE0Ah)	DSP7_Watchdog_1	0	0	0	0	0	0	0	0	0	0	0	0	0	0	0	0	DSP7_WDT_MAX_COUNT [3:0]	DSP7_WDT_ENA			00000000h	
R4193808 (3FFE10h)	DSP7_WDMA_Buffer_1	DSP7_START_ADDRESS_WDMA_BUFFER_1 [15:0]															00000000h						
		DSP7_START_ADDRESS_WDMA_BUFFER_0 [15:0]																					
R4193810 (3FFE12h)	DSP7_WDMA_Buffer_2	DSP7_START_ADDRESS_WDMA_BUFFER_3 [15:0]															00000000h						
		DSP7_START_ADDRESS_WDMA_BUFFER_2 [15:0]																					
R4193812 (3FFE14h)	DSP7_WDMA_Buffer_3	DSP7_START_ADDRESS_WDMA_BUFFER_5 [15:0]															00000000h						
		DSP7_START_ADDRESS_WDMA_BUFFER_4 [15:0]																					
R4193814 (3FFE16h)	DSP7_WDMA_Buffer_4	DSP7_START_ADDRESS_WDMA_BUFFER_7 [15:0]															00000000h						
		DSP7_START_ADDRESS_WDMA_BUFFER_6 [15:0]																					
R4193824 (3FFE20h)	DSP7_RDMA_Buffer_1	DSP7_START_ADDRESS_RDMA_BUFFER_1 [15:0]															00000000h						
		DSP7_START_ADDRESS_RDMA_BUFFER_0 [15:0]																					
R4193826 (3FFE22h)	DSP7_RDMA_Buffer_2	DSP7_START_ADDRESS_RDMA_BUFFER_3 [15:0]															00000000h						
		DSP7_START_ADDRESS_RDMA_BUFFER_2 [15:0]																					
R4193828 (3FFE24h)	DSP7_RDMA_Buffer_3	DSP7_START_ADDRESS_RDMA_BUFFER_5 [15:0]															00000000h						
		DSP7_START_ADDRESS_RDMA_BUFFER_4 [15:0]																					
R4193840 (3FFE30h)	DSP7_DMA_Config_1	0	0	0	0	0	0	0	0	DSP7_WDMA_CHANNEL_ENABLE [7:0]								00000000h					
		0	0	DSP7_DMA_BUFFER_LENGTH [13:0]																			
R4193842 (3FFE32h)	DSP7_DMA_Config_2	0	0	0	0	0	0	0	0	0	0	0	0	0	0	0	0	DSP7_WDMA_CHANNEL_OFFSET [7:0]				00000000h	
R4193844 (3FFE34h)	DSP7_DMA_Config_3	0	0	0	0	0	0	0	0	0	0	DSP7_RDMA_CHANNEL_OFFSET [5:0]					00000000h						
		0	0	0	0	0	0	0	0	0	0	DSP7_RDMA_CHANNEL_ENABLE [5:0]											
R4193846 (3FFE36h)	DSP7_DMA_Config_4	0	0	0	0	0	0	0	0	0	0	0	0	0	0	0	0	DSP7_DMA_WORD_SEL			00000000h		
		0	0	0	0	0	0	0	0	0	0	0	0	0	0	0	0						
R4193848 (3FFE38h)	DSP7_External_Start	0	0	0	0	0	0	0	0	0	0	0	0	0	0	0	0	DSP7_START_IN_SEL [4:0]				00000000h	
		0	0	0	0	0	0	0	0	0	0	0	0	0	0	0	0						
R4193856 (3FFE40h)	DSP7_Scratch_1	DSP7_SCRATCH_1 [15:0]															00000000h						
		DSP7_SCRATCH_0 [15:0]																					
R4193858 (3FFE42h)	DSP7_Scratch_2	DSP7_SCRATCH_3 [15:0]															00000000h						
		DSP7_SCRATCH_2 [15:0]																					
R4193874 (3FFE52h)	DSP7_Bus_Error_Addr	0	0	0	0	0	0	0	0	DSP7_BUS_ERR_ADDR [23:16]								00000000h					
		DSP7_BUS_ERR_ADDR [15:0]																					
R4193876 (3FFE54h)	DSP7_Ext_window_A	DSP7_EXT_A_PSIZE[16]	0	0	0	0	0	0	0	0	0	0	0	0	0	0	0	DSP7_EXT_A_PAGE [15:0]				00000000h	

Table 6-2. Register Map Definition—32-bit region (Cont.)

Register	Name	31 15	30 14	29 13	28 12	27 11	26 10	25 9	24 8	23 7	22 6	21 5	20 4	19 3	18 2	17 1	16 0	Default
R4193878 (3FFE56h)	DSP7_Ext_window_B	DSP7 EXT_B PSIZE16	0	0	0	0	0	0	0	0	0	0	0	0	0	0	0	0000000h
		DSP7_EXT_B_PAGE [15:0]																
R4193880 (3FFE58h)	DSP7_Ext_window_C	DSP7 EXT_C PSIZE16	0	0	0	0	0	0	0	0	0	0	0	0	0	0	0	0000000h
		DSP7_EXT_C_PAGE [15:0]																
R4193882 (3FFE5Ah)	DSP7_Ext_window_D	DSP7 EXT_D PSIZE16	0	0	0	0	0	0	0	0	0	0	0	0	0	0	0	0000000h
		DSP7_EXT_D_PAGE [15:0]																
R4193886 (3FFE5Eh)	DSP7_Watchdog_2		0	0	0	0	0	0	0	0	0	0	0	0	0	0	0	0000000h
		DSP7_WDT_RESET [15:0]																
R4193888 (3FFE60h)	DSP7_Identity		0	0	0	0	0	0	0	0	0	0	0	0	0	0	0	0000000h
		DSP7_CORE_NUMBER [4:0]																
R4193892 (3FFE64h)	DSP7_Region_lock_sts		0	0	0	0	0	0	0	0	0	0	0	0	0	0	0	0000000h
								DSP7_ CTRL_ LOCK_ STS	DSP7_ CTRL_ LOCK_ STS	DSP7_ CTRL_ LOCK_ STS	DSP7_ CTRL_ LOCK_ STS	DSP7_ CTRL_ LOCK_ STS	DSP7_ CTRL_ LOCK_ STS	DSP7_ CTRL_ LOCK_ STS	DSP7_ CTRL_ LOCK_ STS	DSP7_ CTRL_ LOCK_ STS	DSP7_ CTRL_ LOCK_ STS	
R4193894 (3FFE66h)	DSP7_Region_lock_1	DSP7_CTRL_REGION1_LOCK [15:0]																
	DSP7_Region_lock_0	DSP7_CTRL_REGION0_LOCK [15:0]																
R4193896 (3FFE68h)	DSP7_Region_lock_3	DSP7_CTRL_REGION3_LOCK [15:0]																
	DSP7_Region_lock_2	DSP7_CTRL_REGION2_LOCK [15:0]																
R4193898 (3FFE6Ah)	DSP7_Region_lock_5	DSP7_CTRL_REGION5_LOCK [15:0]																
	DSP7_Region_lock_4	DSP7_CTRL_REGION4_LOCK [15:0]																
R4193900 (3FFE6Ch)	DSP7_Region_lock_7	DSP7_CTRL_REGION7_LOCK [15:0]																
	DSP7_Region_lock_6	DSP7_CTRL_REGION6_LOCK [15:0]																
R4193902 (3FFE6Eh)	DSP7_Region_lock_9	DSP7_CTRL_REGION9_LOCK [15:0]																
	DSP7_Region_lock_8	DSP7_CTRL_REGION8_LOCK [15:0]																
R4193914 (3FFE7Ah)	DSP7_Region_lock_ctrl		0	0	0	0	0	0	0	0	0	0	0	0	0	0	0	0000000h
		DSP7_ LOCK_ ERR_STS	DSP7_ ADDR_ ERR_STS	DSP7_ WDT_ TIMEOUT_ STS													DSP7_ ERR_ PAUSE	DSP7_ ERR_ CLEAR
R4193916 (3FFE7Ch)	DSP7_PMEM_Err	DSP7_PMEM_ERR_ADDR [14:0]																
	Addr_XMEM_Err	DSP7_XMEM_ERR_ADDR [15:0]																
	Addr																	

7 Thermal Characteristics

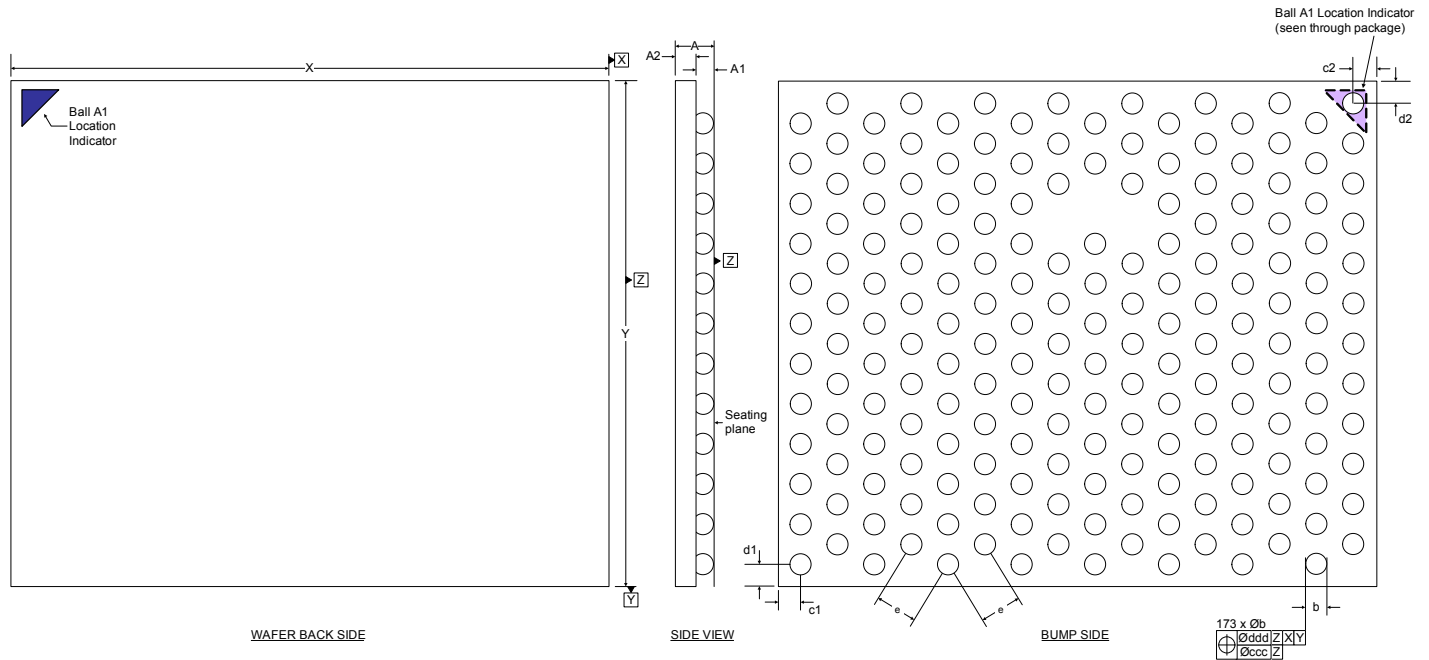
Table 7-1. Typical JEDEC Four-Layer, 2s2p Board Thermal Characteristics

Parameter	Symbol	WLCSP	Units
Junction-to-ambient thermal resistance	θ_{JA}	30.6	°C/W
Junction-to-board thermal resistance	θ_{JB}	5.5	°C/W
Junction-to-case thermal resistance	θ_{JC}	0.03	°C/W
Junction-to-board thermal-characterization parameter	Ψ_{JB}	5.5	°C/W
Junction-to-package-top thermal-characterization parameter	Ψ_{JT}	0.01	°C/W

Notes:

- Natural convection at the maximum recommended operating temperature T_A (see [Table 3-3](#))
- Four-layer, 2s2p PCB as specified by JESD51-9 and JESD51-11; dimensions: 101.5 x 114.5 x 1.6 mm
- Thermal parameters as defined by JESD51-12

8 Package Dimensions



Notes:

- Dimensioning and tolerances per ASME Y 14.5M–2009.
- The Ball A1 position indicator is for illustration purposes only and may not be to scale.
- Dimension “b” applies to the solder sphere diameter and is measured at the midpoint between the package body and the seating plane Datum Z.

Table 8-1. WLCSP Package Dimensions

Dimension	Millimeters		
	Minimum	Nominal	Maximum
A	0.466	0.500	0.534
A1	0.168	0.198	0.228
A2	0.286	0.302	0.318
b	0.235	0.265	0.295
c1	0.358	0.388	0.418
d1	0.192	0.222	0.252
c2	0.195	0.225	0.255
d2	0.193	0.223	0.253
e	0.370	0.400	0.430
X	5.780	5.810	5.840
Y	4.615	4.645	4.675
ccc = 0.05 ddd = 0.10			

Note: Controlling dimension is millimeters.

9 Ordering Information

Table 9-1. Ordering Information

Product	Description	Package	Halogen Free	Pb Free	Grade	Temperature Range	Container	Order #
CS47L90	Hi-Fi Audio Smart Codec with Integrated Sensor Hub	173-ball WLCSP	Yes	Yes	Commercial	–40 to +85°C	Tape and Reel ¹	CS47L90-CWZR

1. Reel quantity = 6000

10 References

- MIPI Alliance, *MIPI Alliance Specification for Serial Low-Power Inter-Chip Media Bus (SLIMbus)*. <http://www.mipi.org/>
- Google Inc, *Android Wired Headset Specification, Version 1.1*. <http://source.android.com/accessories/headset-spec.html>
- International Electrotechnical Commission, *IEC60958-3 Digital Audio Interface—Consumer*. <http://www.ansi.org/>

11 Revision History

Table 11-1. Revision History

Revision	Changes
A1 JUN '15	<ul style="list-style-type: none"> • Initial version
A2 OCT '15	<ul style="list-style-type: none"> • Electrical characteristics updated, including MICVDD test condition (Table 3-9, Table 3-11). • Voltage limits for GPSWnN/GPSWnP noted (Table 3-11). • LRCLK advance feature added (Table 3-16, Section 4.8.3). • Input path signal detect threshold (IN_SIG_DET_THR) updated (Section 4.2.8). • DMICCLK_SRC option added to select SPKCLK as DMIC clock (Section 4.2.3, Section 4.2.6, Section 4.12.9). • The 32-bit signal path capability noted for AIF1, AIF3, SLIMbus, and SPDIF interfaces (Section 4.3.3, Section 4.3.8, Section 4.8, Section 4.11). • Control requirements added to avoid digital mixer lockup (Section 4.3). • DSP memory locking, watchdog timer, and debug functions added (Section 4.4.2, Section 4.4.3.5, Section 4.4.3.6, Section 4.4.6, Section 4.5.2.8, Section 4.16). • Register locking removed from all AIF control bits (Section 4.8). • Clarification of SLIMbus requirements for different TP options (Section 4.9.4). • Clarification of SLIMbus bulk-transfer function (Section 4.11). • SLIMbus register read access updated to show maximum 8-byte slice (Section 4.11.6). • Output path hi-fi filters description added (Section 4.12.4). • Output noise gate threshold (NGATE_THR) updated (Table 4-85). • Headphone detect (HPDET) measurement time updated (Section 4.13.4.2). • Noted that digital outputs that are not supported in Sleep Mode are floating in Sleep Mode (Section 4.14). • Default state of GPIO pins is indeterminate, due to bus keeper (Section 4.15.1, Section 4.23.2). • Noted the availability of GPIO functions differs for different GPIO pins (Table 4-100). • System clock and input-path signal-detect interrupts added (Section 4.4.3.2, Section 4.5.2.8, Section 4.16, Section 4.17.4.1, Section 4.17.4.2). • FLL1/FLL2 description and recommended settings updated (Section 4.17.8). • FLL_AO description simplified; example settings added (Section 4.17.9). • CIF3MISO pull-down resistor added (Section 4.18). • Noted limitations associated with triggering the write sequencer using WSEQ_START (Section 4.19.1). • Register map listing incorporated (Section 6). • Thermal characteristics added (Section 7). • Package outline drawing incorporated (Section 8).
A3 FEB '16	<ul style="list-style-type: none"> • Pin description information updated (Section 1.2, Section 4.15.1, Section 4.15.3, Section 4.23.2). • JACKDETn maximum ratings updated (Table 3-2). • PCB track routing recommendation added (Table 3-3, Section 5.1.5, Section 5.5). • Electrical characteristics and performance data updated (Table 3-5, Table 3-9, Table 3-11, Table 3-23, Table 3-24). • Control interface timing limits updated (Table 3-20, Section 4.11.6, Section 4.17.7, Section 4.18). • Input path Low-Power Mode updated (Section 4.2.6 and Section 4.2.6.1). • Input path signal-detect function operating constraints added (Section 4.2.8). • Data format conversion functions added (Section 4.3.13, Section 4.3.14, Section 4.7). • DMA data word format (DSPn_DMA_WORD_SEL) control field added (Section 4.4.4). • Master Interface control requirements updated (Section 4.5.1.2). • Headphone Detect calibration procedure updated (Section 4.13.4.2). • Noted limitation on switching SYSCLK source (Section 4.17.4.1). • FLL1/FLL2 recommended settings updated (Section 4.17.8). • PCB layout guidelines updated (Section 5.5).

Table 11-1. Revision History (Cont.)

Revision	Changes
PP1 MAY '16	<ul style="list-style-type: none"> • Series resistor recommended on FLLVDD connection (Section 2, Table 3-3). • Correction to AIFn_LRCLK_ADV field definition (Section 4.8.3). • Correction to FLLn_GPCLK_DIV field definition (Section 4.15.8). • Clarification of FLL2 frequency when selected as DSPCLK source (Section 4.17.4.3). • Correction to LRCLK_SRC field definition (Section 4.17.5). • Deleted I²C support for multiple register read from previous register address (Section 4.18.2). • Write sequencer control registers for Event Log 5–8 defined (Section 4.19.5). • Correction to DCVDD pin reference AB6 (Section 5.1.5). • Control fields selecting SLIMDATn output drive strength added (Section 5.3).
F1 JUN '16	<ul style="list-style-type: none"> • System clock status fields defined (Section 4.17.4.1, Section 4.17.4.2, Table 4-110)

Contacting Cirrus Logic Support

For all product questions and inquiries, contact a Cirrus Logic Sales Representative.

To find the one nearest you, go to www.cirrus.com.

IMPORTANT NOTICE

For the purposes of our terms and conditions of sale, "Preliminary" or "Advanced" datasheets are non-final datasheets that include but are not limited to datasheets marked as "Target", "Advance", "Product Preview", "Preliminary Technical Data" and/or "Pre-production." Products provided with any such datasheet are therefore subject to relevant terms and conditions associated with "Preliminary" or "Advanced" designations. The products and services of Cirrus Logic International (UK) Limited; Cirrus Logic, Inc.; and other companies in the Cirrus Logic group (collectively either "Cirrus Logic" or "Cirrus") are sold subject to Cirrus Logic's terms and conditions of sale supplied at the time of order acknowledgment, including those pertaining to warranty, indemnification, and limitation of liability. Software is provided pursuant to applicable license terms. Cirrus Logic reserves the right to make changes to its products and specifications or to discontinue any product or service without notice. Customers should therefore obtain the latest version of relevant information from Cirrus Logic to verify that the information is current and complete. Testing and other quality control techniques are utilized to the extent Cirrus Logic deems necessary. Specific testing of all parameters of each device is not necessarily performed. In order to minimize risks associated with customer applications, the customer must use adequate design and operating safeguards to minimize inherent or procedural hazards. Cirrus Logic is not liable for applications assistance or customer product design. The customer is solely responsible for its selection and use of Cirrus Logic products. Use of Cirrus Logic products may entail a choice between many different modes of operation, some or all of which may require action by the user, and some or all of which may be optional. Nothing in these materials should be interpreted as instructions or suggestions to choose one mode over another. Likewise, description of a single mode should not be interpreted as a suggestion that other modes should not be used or that they would not be suitable for operation. Features and operations described herein are for illustrative purposes only.

CERTAIN APPLICATIONS USING SEMICONDUCTOR PRODUCTS MAY INVOLVE POTENTIAL RISKS OF DEATH, PERSONAL INJURY, OR SEVERE PROPERTY OR ENVIRONMENTAL DAMAGE ("CRITICAL APPLICATIONS"). CIRRUS LOGIC PRODUCTS ARE NOT DESIGNED, AUTHORIZED OR WARRANTED FOR USE IN PRODUCTS SURGICALLY IMPLANTED INTO THE BODY, AUTOMOTIVE SAFETY OR SECURITY DEVICES, NUCLEAR SYSTEMS, LIFE SUPPORT PRODUCTS OR OTHER CRITICAL APPLICATIONS. INCLUSION OF CIRRUS LOGIC PRODUCTS IN SUCH APPLICATIONS IS UNDERSTOOD TO BE FULLY AT THE CUSTOMER'S RISK AND CIRRUS LOGIC DISCLAIMS AND MAKES NO WARRANTY, EXPRESS, STATUTORY OR IMPLIED, INCLUDING THE IMPLIED WARRANTIES OF MERCHANTABILITY AND FITNESS FOR PARTICULAR PURPOSE, WITH REGARD TO ANY CIRRUS LOGIC PRODUCT THAT IS USED IN SUCH A MANNER. IF THE CUSTOMER OR CUSTOMER'S CUSTOMER USES OR PERMITS THE USE OF CIRRUS LOGIC PRODUCTS IN CRITICAL APPLICATIONS, CUSTOMER AGREES, BY SUCH USE, TO FULLY INDEMNIFY CIRRUS LOGIC, ITS OFFICERS, DIRECTORS, EMPLOYEES, DISTRIBUTORS AND OTHER AGENTS FROM ANY AND ALL LIABILITY, INCLUDING ATTORNEYS' FEES AND COSTS, THAT MAY RESULT FROM OR ARISE IN CONNECTION WITH THESE USES.

This document is the property of Cirrus Logic and by furnishing this information, Cirrus Logic grants no license, express or implied, under any patents, mask work rights, copyrights, trademarks, trade secrets or other intellectual property rights. Any provision or publication of any third party's products or services does not constitute Cirrus Logic's approval, license, warranty or endorsement thereof. Cirrus Logic gives consent for copies to be made of the information contained herein only for use within your organization with respect to Cirrus Logic integrated circuits or other products of Cirrus Logic, and only if the reproduction is without alteration and is accompanied by all associated copyright, proprietary and other notices and conditions (including this notice). This consent does not extend to other copying such as copying for general distribution, advertising or promotional purposes, or for creating any work for resale. This document and its information is provided "AS IS" without warranty of any kind (express or implied). All statutory warranties and conditions are excluded to the fullest extent possible. No responsibility is assumed by Cirrus Logic for the use of information herein, including use of this information as the basis for manufacture or sale of any items, or for infringement of patents or other rights of third parties. Cirrus Logic, Cirrus, the Cirrus Logic logo design, SoundClear, and WISCE are among the trademarks of Cirrus Logic. Other brand and product names may be trademarks or service marks of their respective owners.

Copyright © 2015–2016 Cirrus Logic, Inc. All rights reserved.

MIPI and SLIMbus are trademarks or registered trademarks of MIPI Alliance, Inc.

USB-C is a trademark of USB Implementers Forum.

Android is a trademark of Google, Inc.

SPI is a trademark of Motorola.