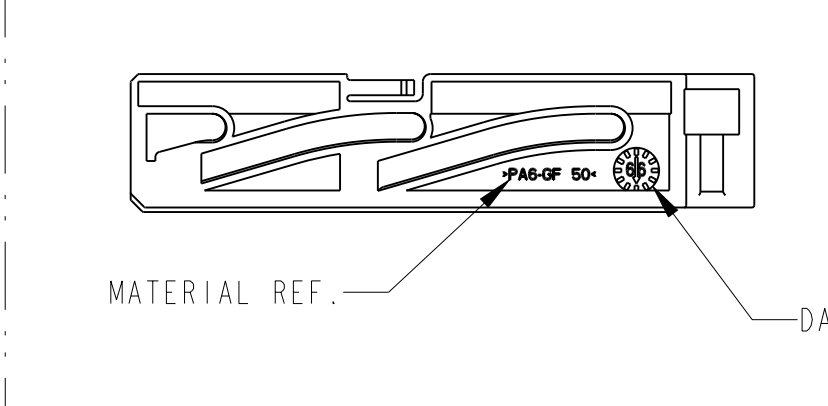
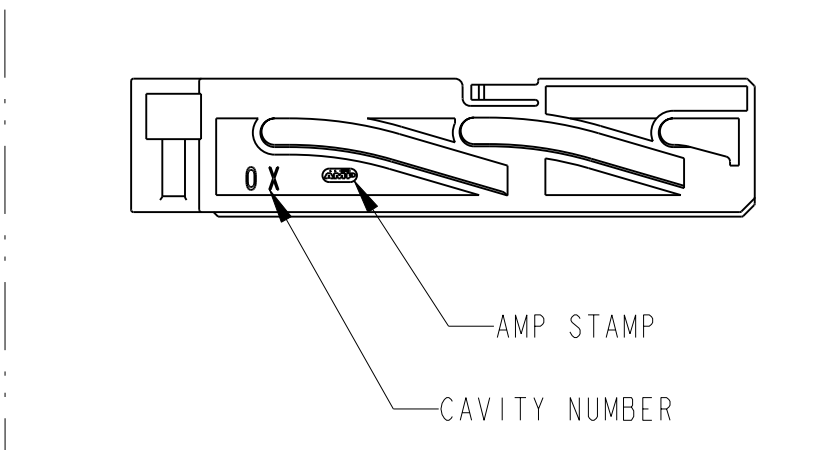
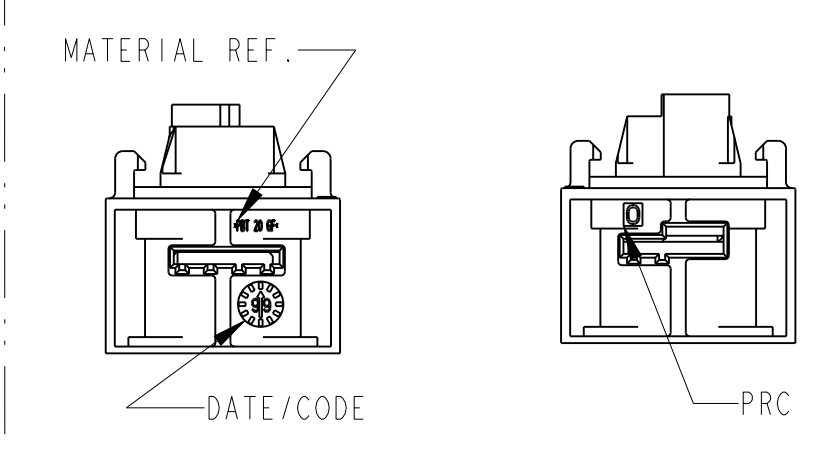
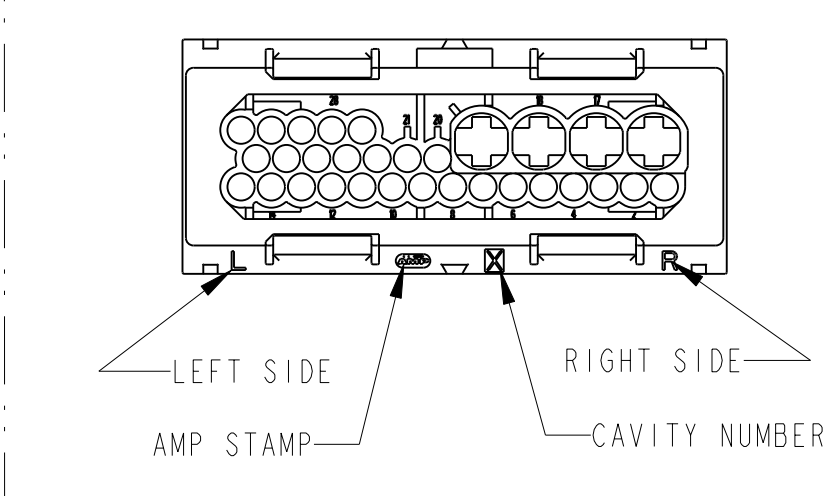


REVOLUTIONS		DATE	OWN	APP
P	REV		BESS	
Y	ADDED PN 1-953042-7	21NOV2002	DB	JJR
AA	PN 1-953042-0 OBSOLETE	21OCT2011	DB	JJR

REAR VIEW (VUE ARRIERE)	TE PN (REF. TE)	BLOCKED UP CAVITIES (ALVEOLES BOUCHEES)	MATERIAL (MATIERE)	COLOR (COULEUR)	SHORT CIRCUIT (SHUNT)	CODING (CODAGE)	FRONT VIEW (VUE AVANT)
	1-953042-7	2 - 10 - 13 - 22 23 - 24 - 25 - 27 28 - 29 - 30 - 31	PBT 20% GF PBT 20% FV	BLACK/BLACK NOIR/NOIR	YES (3 WAYS :19,20,21) OUI (3 VOIES :19,20,21)	NEUTRAL NEUTRE	
	1-953042-6	NONE AUCUNE	PBT 20% GF PBT 20% FV	BLACK/BLACK NOIR/NOIR	NO NON	NEUTRAL NEUTRE	
	1-953042-5	3 - 10 - 12 - 13 23 - 24 - 25 - 26 27 - 28	PBT 20% GF PBT 20% FV	BLACK/BLACK NOIR/NOIR	YES (3 WAYS :19,20,21) OUI (3 VOIES :19,20,21)	CODING 1 CODAGE 1	
	1-953042-4	NONE AUCUNE	PBT 20% GF PBT 20% FV	BLACK/BLACK NOIR/NOIR	YES (3 WAYS :19,20,21) OUI (3 VOIES :19,20,21)	CODING 1 CODAGE 1	
	1-953042-3	27 - 28 - 29 30 - 31	PBT 20% GF PBT 20% FV	BLACK/BLACK NOIR/NOIR	NO NON	CODING 2 CODAGE 2	
	1-953042-1	4 - 10 - 12 - 13 22 - 23 - 24 - 25 26 - 27 - 28 - 29 30 - 31	PBT 20% GF PBT 20% FV	BLACK/BLACK NOIR/NOIR	YES (3 WAYS :19,20,21) OUI (3 VOIES :19,20,21)	CODING 1 CODAGE 1	
OBSOLETE	1-953042-0	-	-	-	-	-	-
	953042-9	3 - 10 - 12 - 13 20 - 21 - 23 - 24 25 - 26 - 27 - 28 31	PBT 20% GF PBT 20% FV	BLACK/BLACK NOIR/NOIR	NO NON	CODING 2 CODAGE 2	
	953042-8	3 - 10 22 - 23 - 24 - 25 26 - 29	PBT 20% GF PBT 20% FV	BLACK/BLACK NOIR/NOIR	YES (3 WAYS :19,20,21) OUI (3 VOIES :19,20,21)	CODING 1 CODAGE 1	
OBSOLETE	953042-7	-	-	-	-	-	-
	953042-6	NONE AUCUNE	PBT 20% GF PBT 20% FV	BLACK/BLACK NOIR/NOIR	NO NON	CODING 2 CODAGE 2	
OBSOLETE	953042-5	-	-	-	-	-	-
	953042-4	12 - 20 - 21 - 27 28 - 29 - 30 - 31	PBT 20% GF PBT 20% FV	BLACK/BLACK NOIR/NOIR	NO NON	CODING 2 CODAGE 2	 15.4 14.25
	953042-3	10 - 12 - 13 - 23 24 - 25 - 26 - 27 28 - 29 - 30 - 31	PBT 20% GF PBT 20% FV	BLACK/BLACK NOIR/NOIR	YES (3 WAYS :19,20,21) OUI (3 VOIES :19,20,21)	CODING 1 CODAGE 1	 16.55
	953042-2	27 - 28 - 29 30 - 31	PBT 20% GF PBT 20% FV	BLACK/BLACK NOIR/NOIR	YES (3 WAYS :19,20,21) OUI (3 VOIES :19,20,21)	NEUTRAL NEUTRE	 13.1 9.65
	953042-1	NONE AUCUNE	PBT 20% GF PBT 20% FV	BLACK/BLACK NOIR/NOIR	YES (3 WAYS :19,20,21) OUI (3 VOIES :19,20,21)	NEUTRAL NEUTRE	



COMPONENT QTY		MAX ADMISSIBLE STRAND Ø 16 mm	
1-1-7	1-1-6	1-1-5	1-1-4
1-1-3	1-1-1	1-1-0	-9
-8	-7	-6	-5
-4	-3	-2	-1

NATURAL	STAINLESS	SHUNT (3WAYS)	953165-1	5
RED	SILICONE	SEAL	953066-2	4
RED	PA6 50% GF	SLIDE	953046-2	3
BLACK	PBT 20% GF	HOUSING	1-953045-2	2
BLACK	PBT 20% GF	HOUSING	1-953045-1	2
BLACK	PBT 20% GF	HOUSING	1-953045-0	2
BLACK	PBT 20% GF	HOUSING	953045-9	2
BLACK	PBT 20% GF	HOUSING	953045-8	2
BLACK	PBT 20% GF	HOUSING	953045-7	2
BLACK	PBT 20% GF	HOUSING	953045-6	2
BLACK	PBT 20% GF	HOUSING	953045-5	2
BLACK	PBT 20% GF	HOUSING	953045-4	2
BLACK	PBT 20% GF	HOUSING	953045-3	2
BLACK	PBT 20% GF	HOUSING	953045-2	2
BLACK	PBT 20% GF	HOUSING	953045-1	2
GRAY	PBT 20% GF	REC. HSG	1-953034-3	1
BLACK	PBT 20% GF	REC. HSG	953034-3	1
BLACK	PBT 20% GF	REC. HSG	953034-2	1
BLACK	PBT 20% GF	REC. HSG	953034-1	1
COLOR	MATERIAL	DESIGNATION	P/N	DTM

OTE COMPOSANT		TORON MAXI ADMISSIBLE Ø 16 mm	
1-1-7	1-1-6	1-1-5	1-1-4
1-1-3	1-1-1	1-1-0	-9
-8	-7	-6	-5
-4	-3	-2	-1

NATUREL	INOX DORE	SHUNT (3VOIES)	953165-1	5
ROUGE	SILICONE	JOINT	953066-2	4
ROUGE	PA6 50% FV	ETRIER	953046-2	3
NOIR	PBT 20% FV	BOITIER	1-953045-2	2
NOIR	PBT 20% FV	BOITIER	1-953045-1	2
NOIR	PBT 20% FV	BOITIER	1-953045-0	2
NOIR	PBT 20% FV	BOITIER	953045-9	2
NOIR	PBT 20% FV	BOITIER	953045-8	2
NOIR	PBT 20% FV	BOITIER	953045-7	2
NOIR	PBT 20% FV	BOITIER	953045-6	2
NOIR	PBT 20% FV	BOITIER	953045-5	2
NOIR	PBT 20% FV	BOITIER	953045-4	2
NOIR	PBT 20% FV	BOITIER	953045-3	2
NOIR	PBT 20% FV	BOITIER	953045-2	2
NOIR	PBT 20% FV	BOITIER	953045-1	2
GRIS	PBT 20% FV	PORTE CLIPS	1-953034-3	1
NOIR	PBT 20% FV	PORTE CLIPS	953034-3	1
NOIR	PBT 20% FV	PORTE CLIPS	953034-2	1
NOIR	PBT 20% FV	PORTE CLIPS	953034-1	1
COULEUR	MATIERE	DESIGNATION	P/N	REP

THIS DRAWING IS A CONTROLLED DOCUMENT. CE PLAN EST UN DOCUMENT CONTROLÉ PAR AMP INCORPORATED. LE DROIT DE REPRODUIRE CE PLAN POUR UN AUTRE PROJET EST STRICTEMENT INTERDIT. TOUS DROITS RÉSERVÉS.

mm

TOLERANCES UNLESS OTHERWISE SPECIFIED (TOLÉRANCES SAUF AUTREMENT PRÉCISÉ):
 0 PLG / DEC: ±0.2
 1 PLG / DEC: ±0.2
 2 PLG / DEC: ±0.2
 3 PLG / DEC: ±0.2
 4 PLG / DEC: ±0.2

FINISH FINITION

SEE TABLE

DWN/DESSINE JP PICAUD 18AUG1999
 CHK/VERIFIE 21JUN2000
 JP PICAUD
 APVD/APPROVE J.J. REVILL
 21JUN2000

NAME NAME
 TYPASSY 31W CONNECTOR
 LEFT SLIDE
 ASSEMBLAGE CONNECTEUR 31 VOIES TIMER HYBRIDE - ETRIER GAUCHE

SIZE SIZE
 FORMAT FORMAT
 A1 00779

WEIGHT WEIGHT
 MASSE APPROX. 41.3 g

CUSTOMER DRAWING /PLAN CLIENT UNIFORMITY UNIFORMITÉ
 FOUR REFERENCE FOUR REFERENCE

SCALE SCALE
 1:1

SHEET SHEET
 FEUILLE FEUILLE

REV AA

TE Connectivity