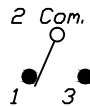


RECOMMENDED PCB LAYOUT

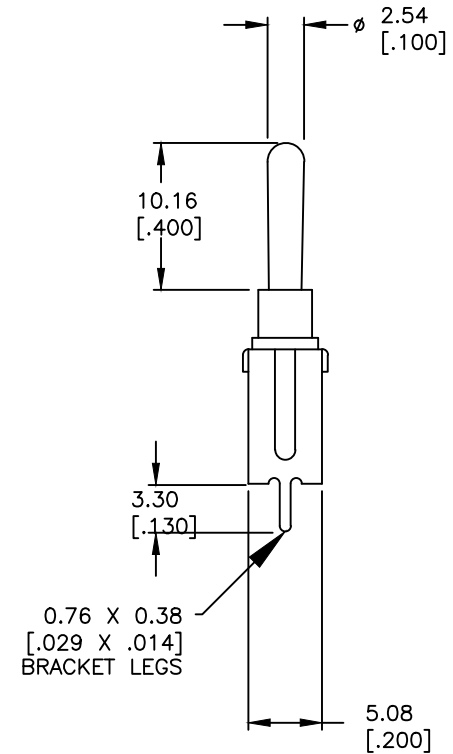
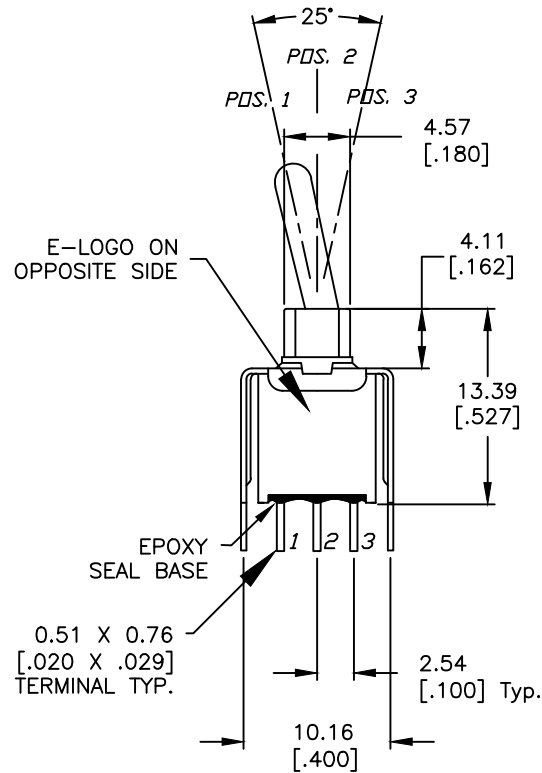
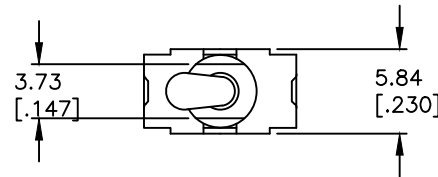


SPDT CIRCUIT CONTACT CONFIGURATION

SWITCH FUNCTION		
PDS. 1	PDS. 2	PDS. 3
DN	NONE	DN
2-3	OPEN	2-1

NOTES:

1. ALL DIMENSIONS IN MM [INCH]
2. GENERAL TOLERANCE: X.X=±0.4  
X.XX=±0.25
3. TERMINAL NUMBERS FOR REF ONLY
4. RATING: 0.4VA @20VAC or DC
- ▲ 5. FIXED TERM. & MOVING CONTACT:  
COPPER ALLOY W/GOLD PLATE over NICKEL PLATE.
6. ELECTRIC LIFE: 50,000 make-and-break cycles at full load.
7. INSULATION RESISTANCE: 1,000 Mega-ohm min.
8. DIELECTRIC STRENGTH: 1,000 V RMS @sea level.
9. OPERATING TEMP.: -30°C to +85°C



C	22657	update bushing ht. to 4.11	12/30/16	MW
B	12052	REVISED AND REDRAWN	4/10/02	CB
REV.	ECN No.	DESCRIPTION	DATE	CHKD

TITLE	200A WMSP-1 T1 A1 VS2 R E (GOLD CONTACTS)				
SCALE	2:1	DATE	4/10/02	DR	CB
DWG	T201226	REV	C		

THE INFORMATION CONTAINED IN THIS DOCUMENT IS PROPRIETARY TO E-SWITCH AND IS NOT TO BE COPIED OR TRANSFERRED