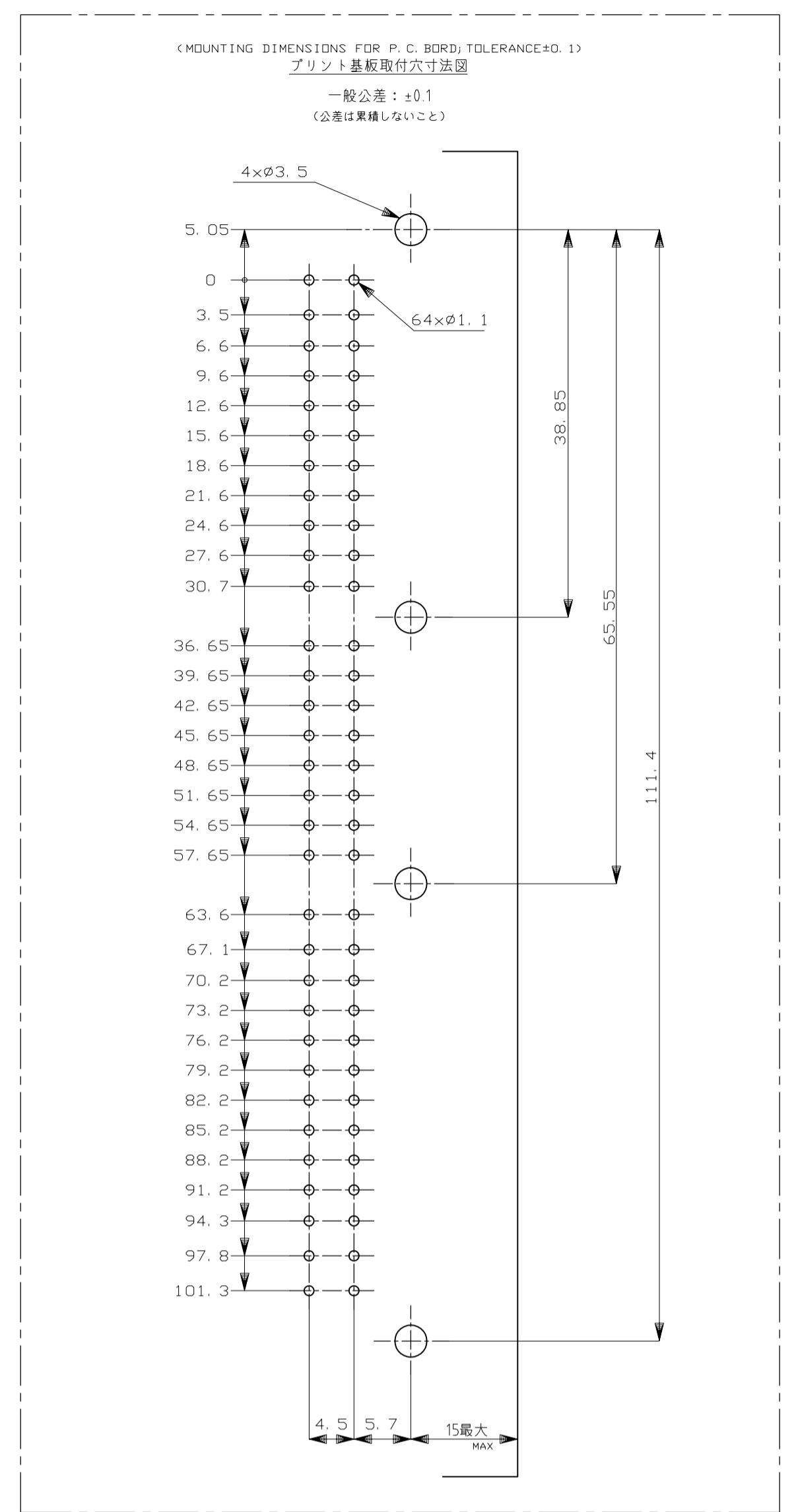
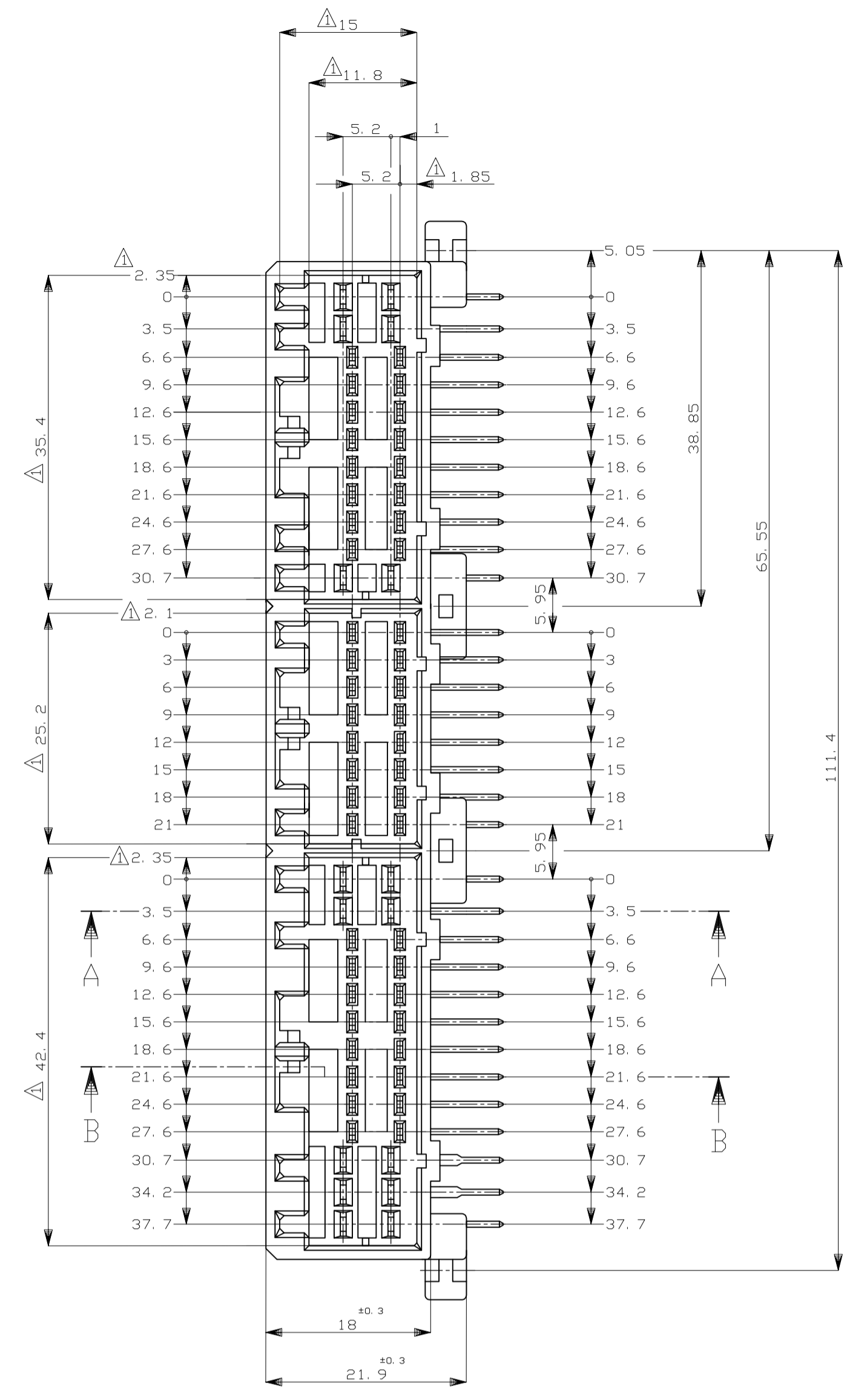
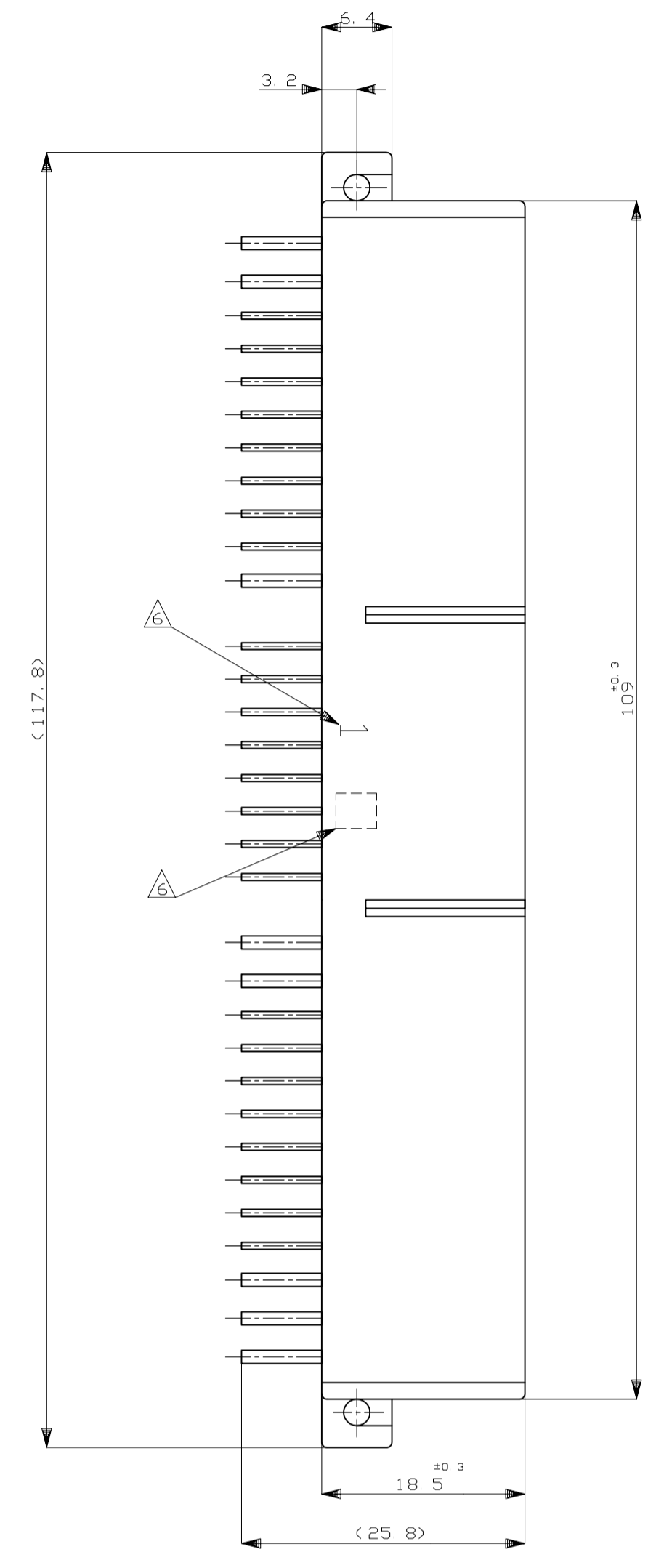
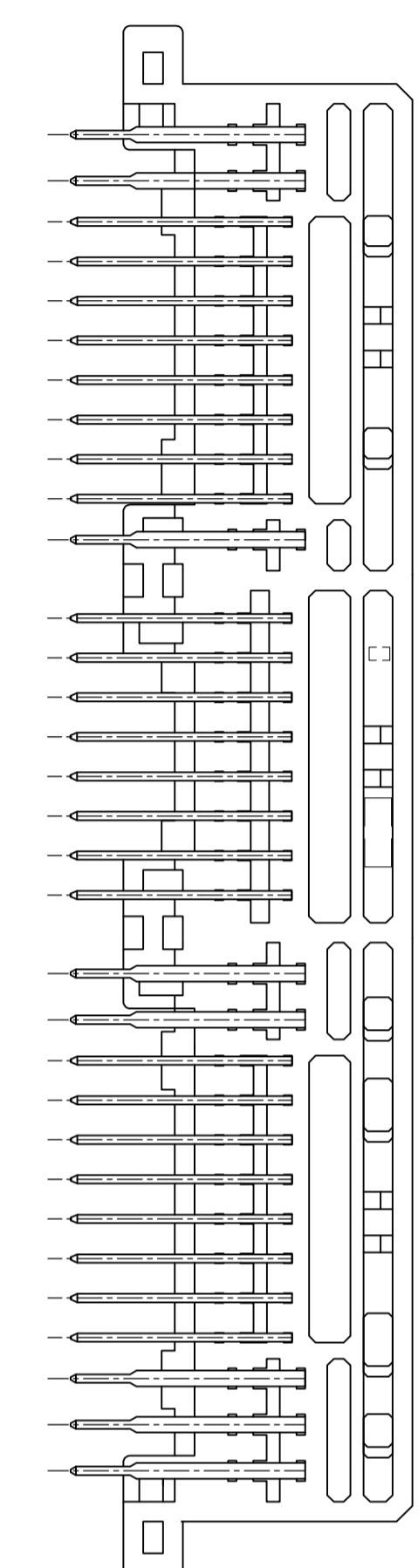
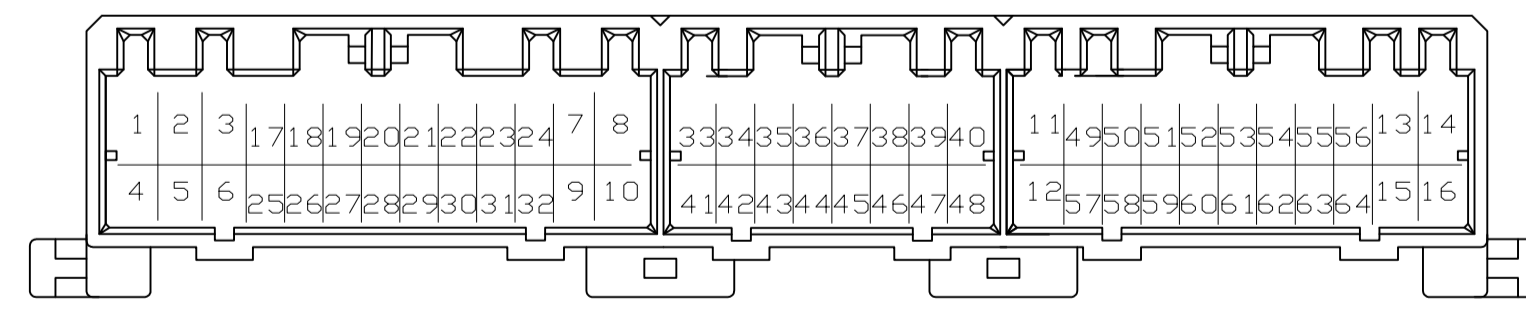


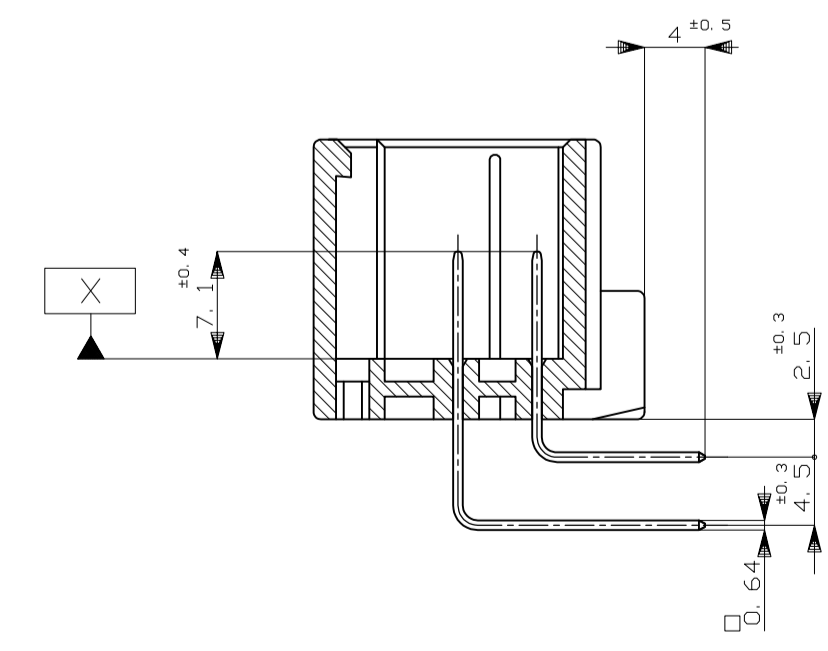
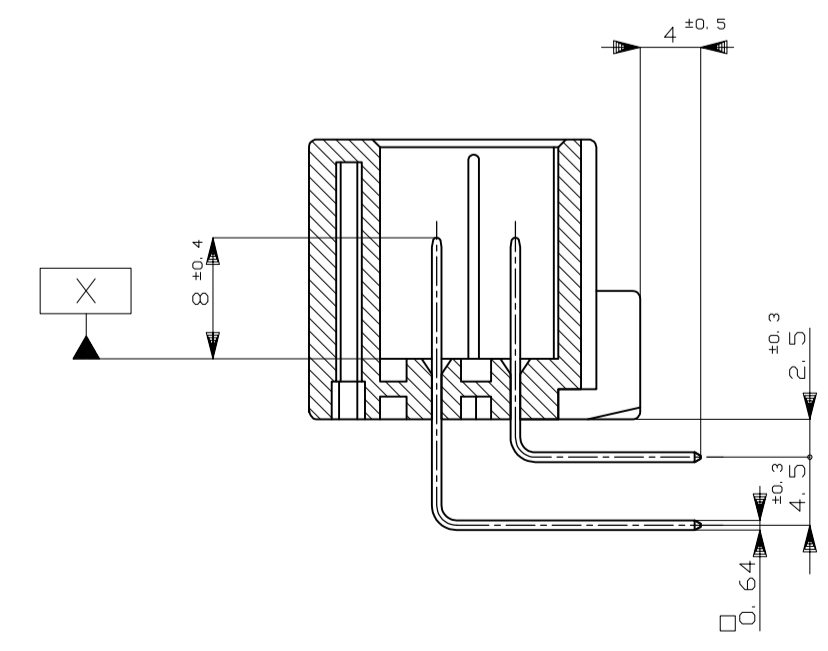
REVISIONS					
REV	DATE	DESCRIPTION	BY	CHK	APPV
H6	17AUG16	ECR-16-003196	KF	HY	



- △ [X] 面から2mmの範囲で測定
- 2. 嵌合相手ハウジング型 174516, 174515, 174514, 917992, 917989, 917981
- 3. 推奨取付ねじ: JIS B1115, B1112 タップピンねじ, なべ2種
呼び径3, 長さ6mm以下 (締付けトルク: 0.4N-m (4kg-cm) 以下)
- 4. 適用製品規格番号: 108-5280, 108-5342
- △ 回路番号:
パワー回路 ① ~ ⑩
シグナル回路 ⑪ ~ ⑥④



- △ 適用製品型番のプリフィックス及びIDマークを
カバーホットマークにて表示
- 1. MUST BE KEPT BETWEEN [X] AND 2
- 2. THE MATING PLUG HSG.PART NUMBER:174516, 174515, 174514, 917992, 917989, 917981
- 3. RECOMMENDED MOUNTING SCREW:3mmDIA,6mmLENGTH(MAX)
PAN HEAD,CLASS 2 TAPPING SCREW SPECIFIED IN JIS B1115,B1122
(TIGHTENING TORQUE:0.4N-m(4kg-cm) MAX.)
- 4. APPLICABLE PRODUCT SPEC NO.: 108-5280, 108-5342
- △ CIRCUIT NUMBER
POWER CIRCUIT NO. ① ~ ⑩
SIGNAL CIRCUIT NO. ⑪ ~ ⑥④
- △ INDICATED PREFIX AND ID MARK OF PRODUCT P/N BY COLOR HOT MARK



REV	DESCRIPTION	DATE	BY	CHK	APPV
59	SELECTIVE-TIN (MATE) PRE-TIN x 56				
51	SELECTIVE-TIN (MATE) PRE-TIN x 56				
52	SELECTIVE-TIN (MATE) PRE-TIN x 16				
59	SELECTIVE-TIN (MATE) PRE-TIN x 56				
56	SELECTIVE-TIN (MATE) PRE-TIN x 56				
9	TIN-LEAD PRE-TIN x 8				
9	TIN-LEAD PRE-TIN x 56				
8	TIN-LEAD PRE-TIN x 52				
7	TIN-LEAD PRE-TIN x 16				
6	TIN-LEAD PRE-TIN x 48				
5	TIN-LEAD PRE-TIN x 55				
4	TIN-LEAD PRE-TIN x 49				
4	TIN-LEAD PRE-TIN x 42				
3	TIN-LEAD PRE-TIN x 52				
3	TIN-LEAD PRE-TIN x 12				
3	TIN-LEAD PRE-TIN x 52				
2	TIN-LEAD PRE-TIN x 16				
2	TIN-LEAD PRE-TIN x 55				
2	TIN-LEAD PRE-TIN x 16				
2	TIN-LEAD PRE-TIN x 16				
1	TIN-LEAD PRE-TIN x 64				
1	TIN-LEAD PRE-TIN x 64				
0	PRE-TIN x 64				
0	PRE-TIN x 64				

THIS DRAWING IS A CONTROLLED DOCUMENT.

DIN T. SHINOHARA 12FEB08
CHK K. BETSUJI 12FEB08
APPV K. BETSUJI 12FEB08

STE TE Connectivity

64POSITION CAP HOUSING ASSEMBLY
040/070 SERIES HYBRID I/O CONNECTOR

PRODUCT SPEC 取付用規格
APPLICATION SPEC 取付用規格

SIZE: A1 CAGE CODE: 00779 DRAWING NO: 174518

WEIGHT: 29.9 g

CUSTOMER DRAWING

SCALE: 2:1 SHEET: 1 OF 1 REV: H6