

NOTES:

1. MATERIALS AND FINISHES:

BODY - BRASS, GOLD PLATING
 CONTACT - BRASS, GOLD PLATING
 INSULATOR - PTFE, NATURAL

2. ELECTRICAL:

A. IMPEDANCE: 50 OHM
 B. FREQUENCY RANGE: DC-6 GHz
 C. VSWR (RETURN LOSS): 1.2 MAX. (-20.8dB)
 D. INSERTION LOSS: <0.3 dB TO <0.7 dB @ DC-3 GHz
 E. DIELECTRIC WITHSTANDING VOLTAGE: 1000 VRMS, MIN.

3. MECHANICAL:

A. DURABILITY: 500 CYCLES MIN.
 B. TEMPERATURE RANGE: -65°C TO +165°C

4. CRIMPED FERRULE

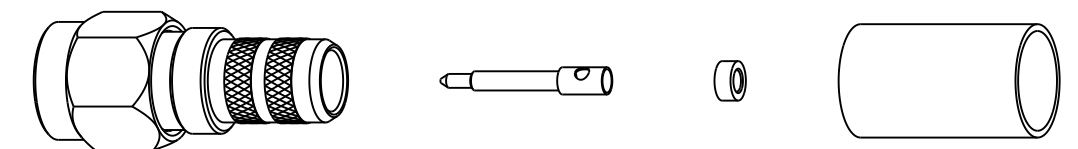
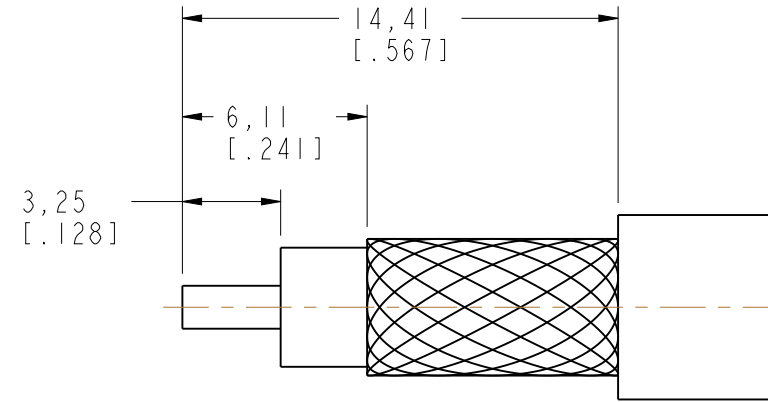
HEX. CRIMP SIZE .255"

5. CONTACT PIN TO SOLDER

THIRD ANGLE PROJ.

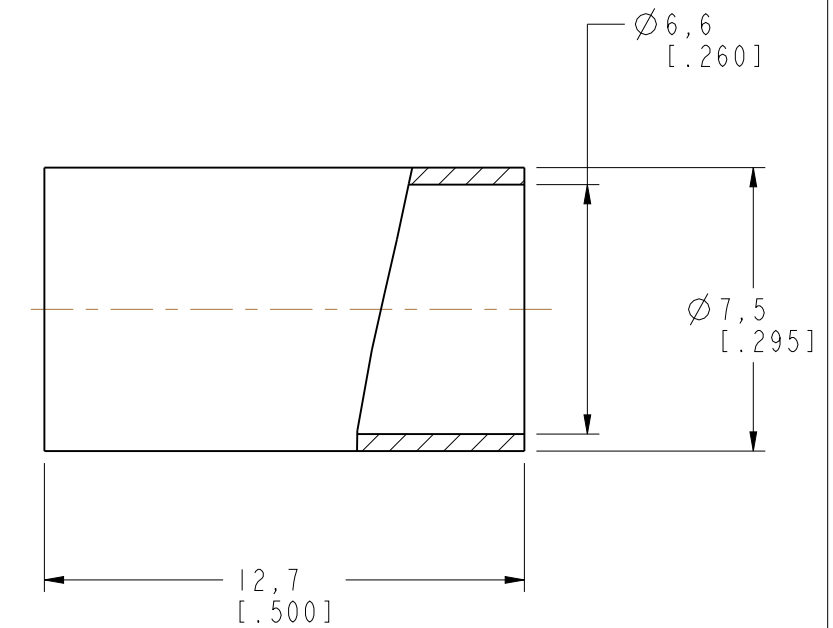
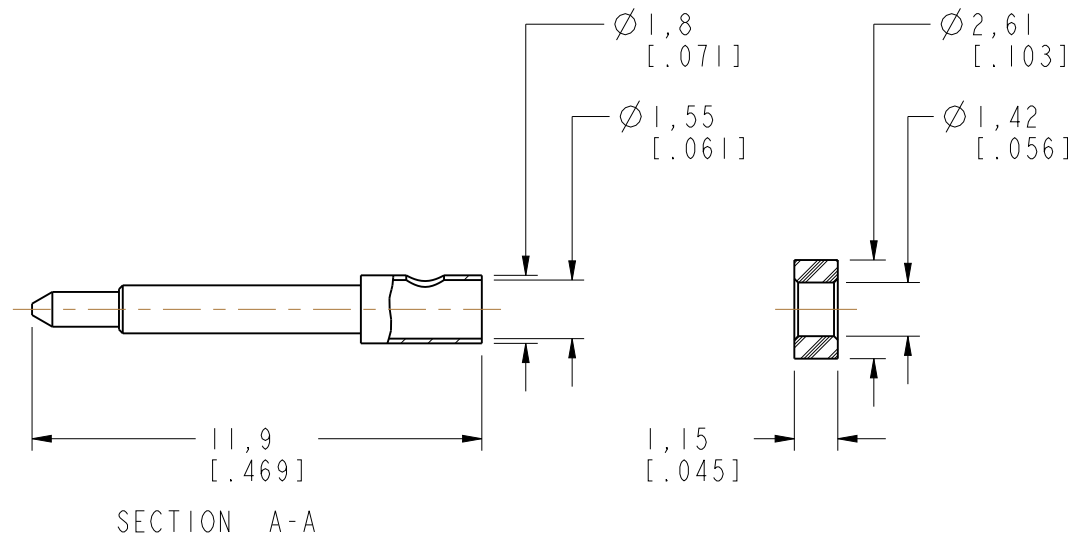
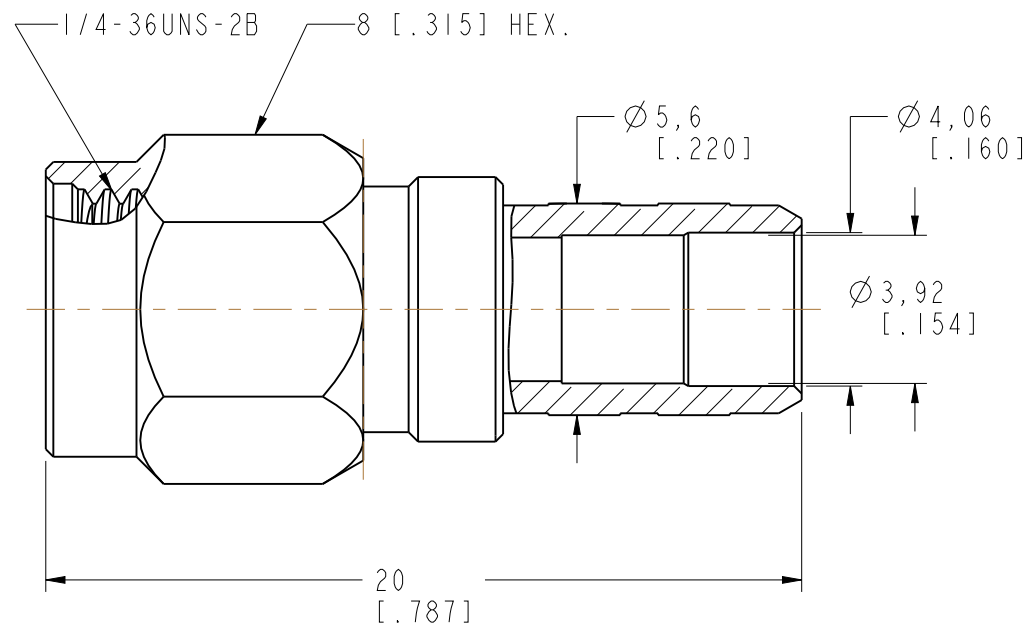
REVISIONS

REV	DESCRIPTION	DATE	ECO	APPR
A	PRELIMINARY RELEASE	30-Mar-15	2888	BCG



SCALE 2.000

RECOMMENDED
 CABLE STRIPPING DIM'S



CUSTOMER OUTLINE DRAWING

ALL OTHER SHEETS ARE FOR INTERNAL USE ONLY

UNLESS OTHERWISE SPECIFIED, DIMENSIONS ARE IN METRIC AND TOLERANCES ARE:
 <0.5mm ±0.05mm 0.5 - 6mm ±0.1mm 6 - 30mm ±0.2mm 30 - 120mm ±0.3mm ANGLES ±1°

NOTICE - These drawings, specifications, or other data (1) are, and remain the property of Amphenol corp. (2) must be returned upon request; and (3) are confidential and not to be disclosed to any person other than those to whom they are given by Amphenol Corp. the furnishing of these drawings, specifications, or other data by Amphenol Corp., or to any other person to anyone for any purpose is not to be regarded by implication or otherwise in any manner licensing, granting rights to permitting such holder or any other person to manufacture, use or sell any product, process or design, patented or otherwise, that may in any way be related to or disclosed by said drawings, specifications, or other data.

MATERIAL	DRAWN M.DONG	DATE 10-Dec-14	TITLE SMA CRIMP PLUG FOR LMR-240 CABLE		Amphenol Connex
REFERENCE EAR#6467 AND SMA1111A6-004-3GT5GP-50	ENGINEER B.C. GLEISSNER	DATE 10-Dec-14	DRAWING NO.		
CONFIGURATION LEVEL: FINISH	APPROVED B.C. GLEISSNER	DATE 30-Mar-15	SCALE: 5.0:1.0	SHEET 3 OF 3	ITEM NO.
	CAD FILE		DWG SIZE B	REV A	PART NO. 132451