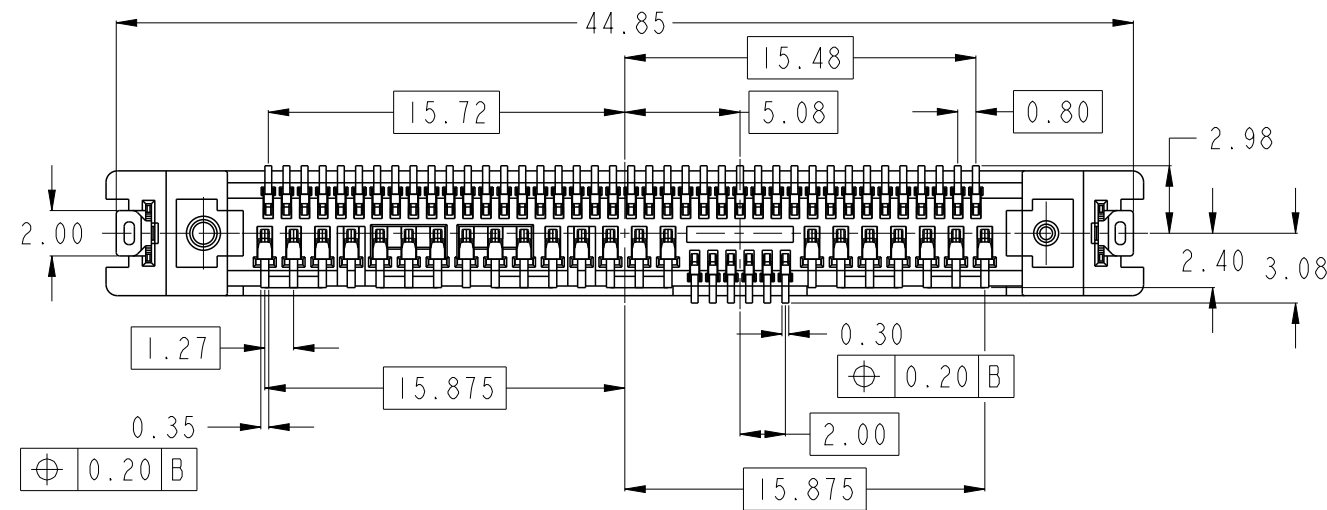
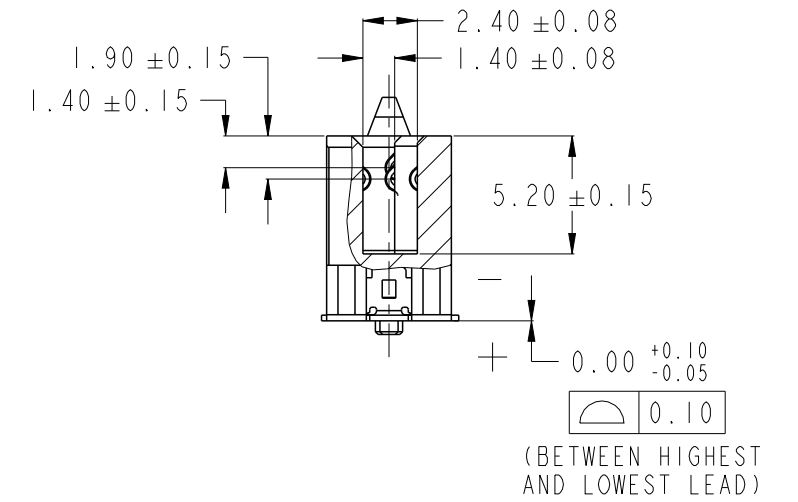
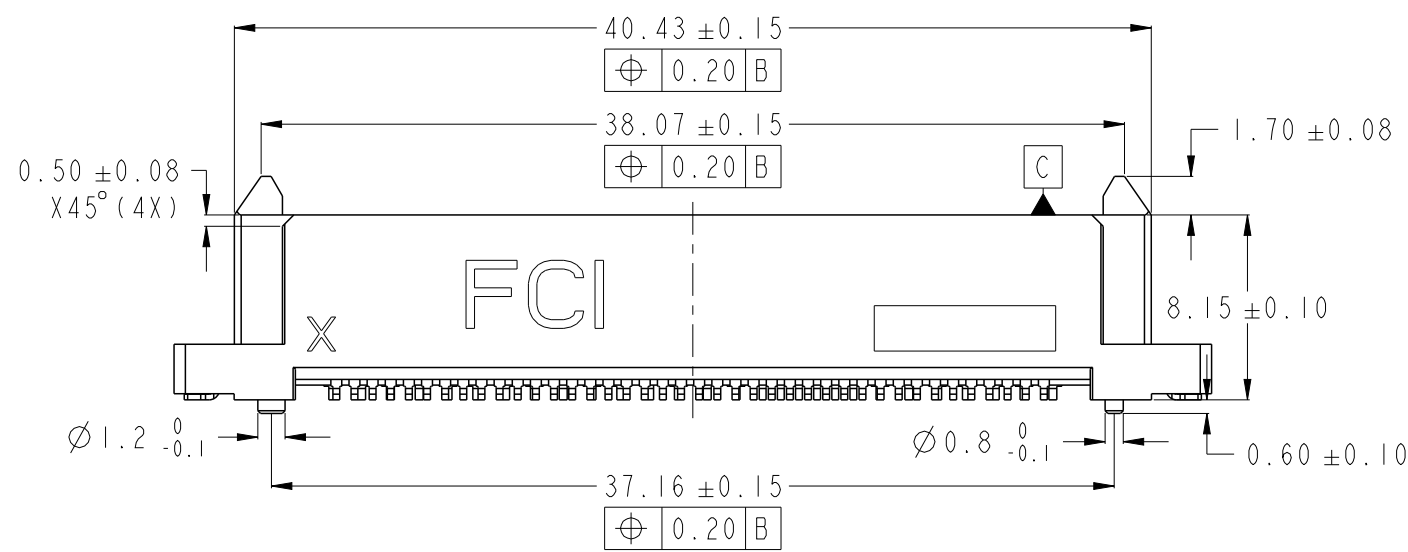
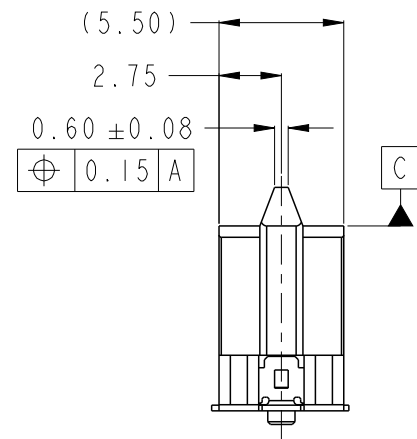
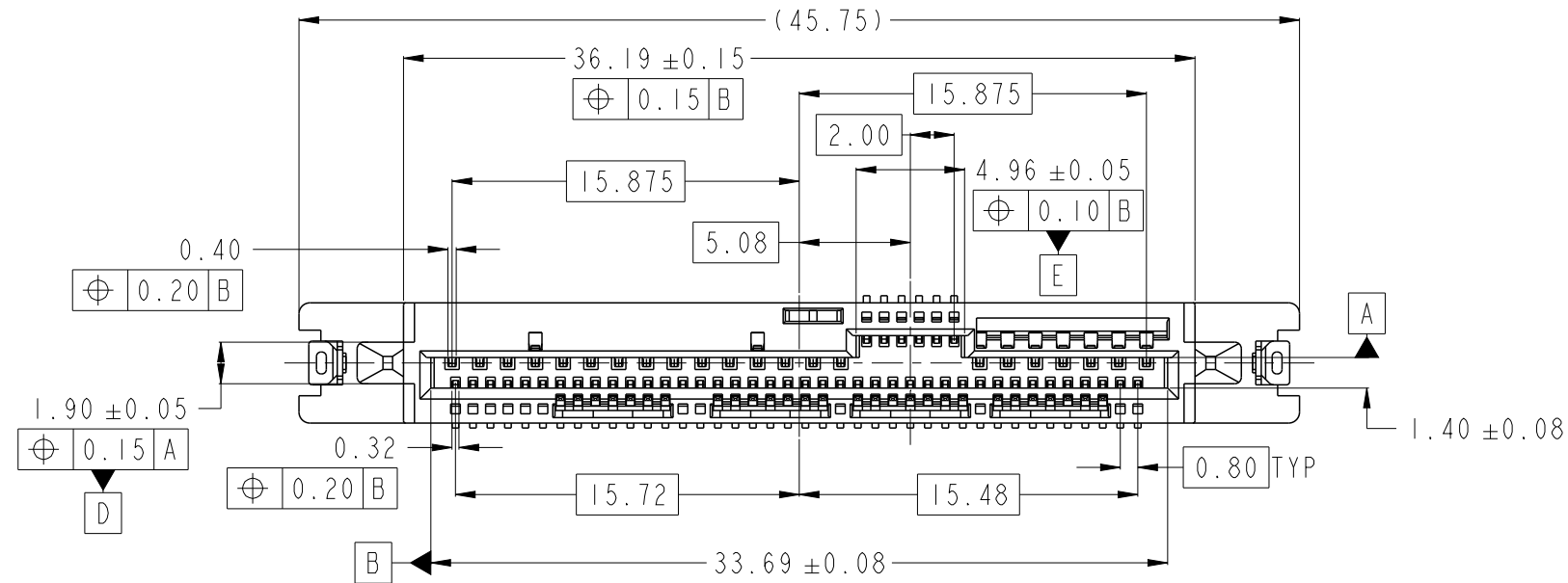


PRODUCT No.  
SEE TABLE



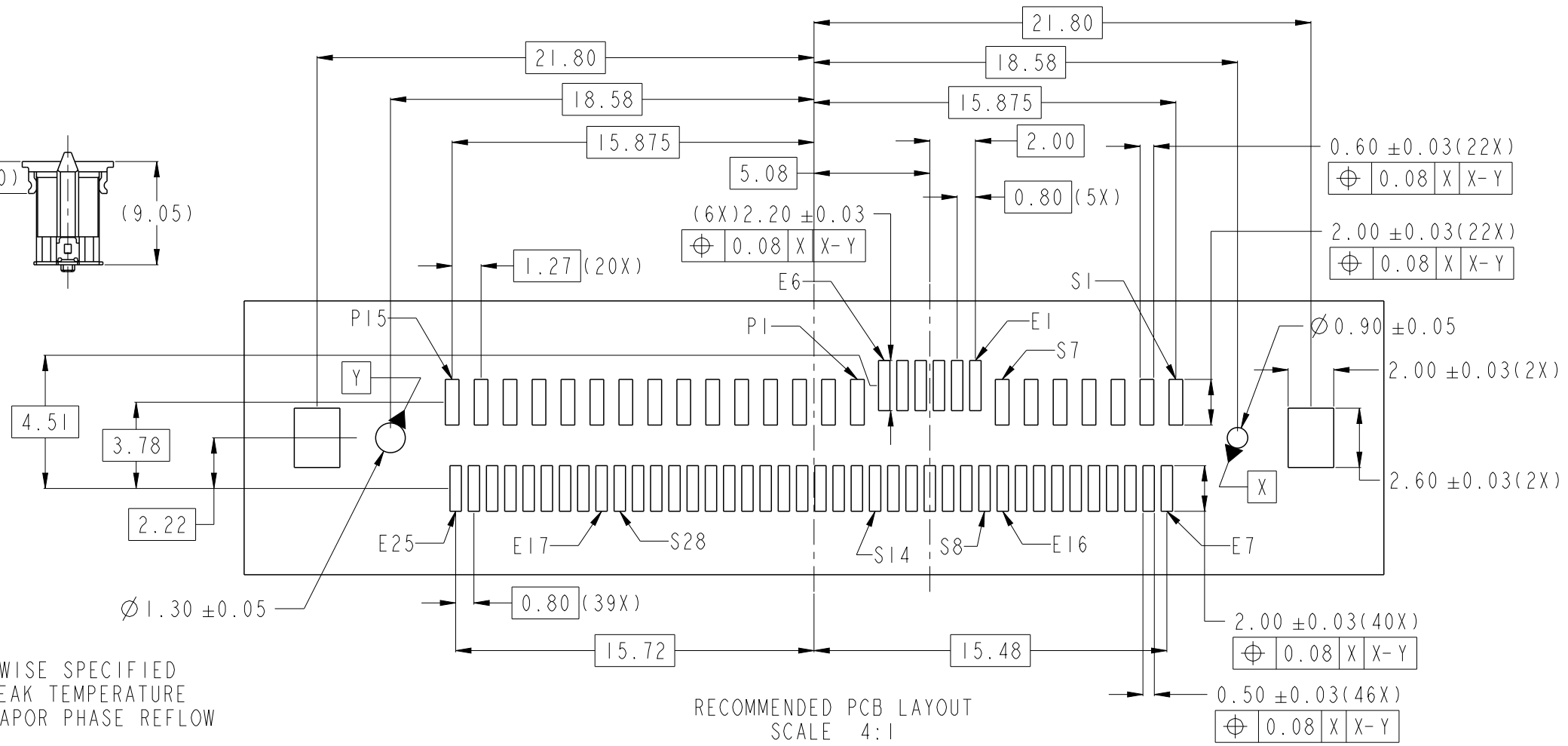
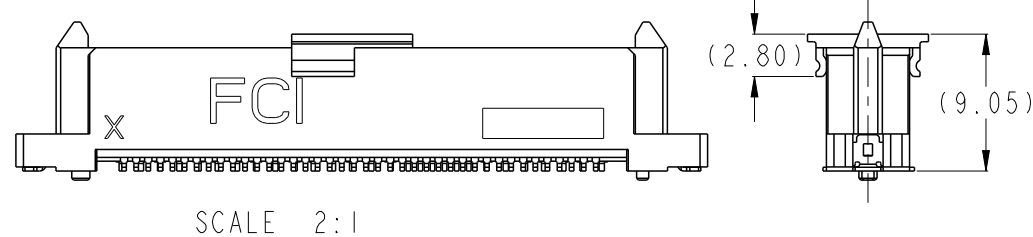
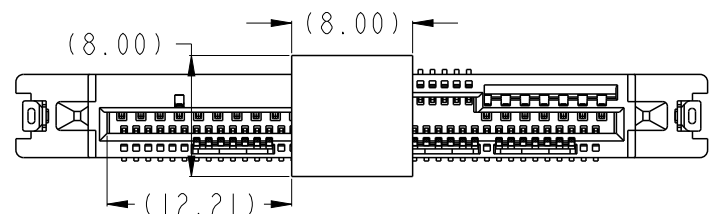
SCALE 3:1

spec ref	-	dr	Koon-Poh Tay	2013/11/06	projection	MM	size	A3	scale	1:1	
tolerance std	TOLERANCES UNLESS OTHERWISE SPECIFIED	eng	Koon-Poh Tay	2015/02/17			ecn no	ELX-S-20267-1			
-	-	chr	-	-			rel level	Released			
surface	✓	appr	Chen-Hong Tan	2015/03/02	product family	-	rel level	Released			
-	linear	0.X	±0.30		SAS/PCIe RECEPTACLE		dwg no	10120513		rev	B
-	linear	0.XX	±0.20		VERTICAL SMT			Product - Customer Drw			
-	angular	0°	±2°		www.fci.com	cat. no.	-	sheet 1 of 2			



Copyright FCI.

PRODUCT No.	HOLD DOWN	PLATING	PICK UP CAP	PACKAGING	REMARKS
10120513-001LF	2 PCS	NOTE 2	NO	TRAY	
10120513-001CLF			YES		
10120513-001TRLF			NO	TAPE & REEL	
10120513-001C-TRLF			YES		
10120513-002LF			NO	TRAY	
10120513-002CLF			YES		
10120513-002TRLF			NO	TAPE & REEL	
10120513-002C-TRLF			YES		



- NOTES:
- MATERIAL:
    - HOUSING HIGH TEMP THERMOPLASTIC, UL 94V-0 COLOUR: BLACK
    - TERMINAL: COPPER ALLOY
    - HOLD DOWN: COPPER ALLOY
  - FINISH:
    - TERMINAL: 30u" Au PLATING (CONTACT POINT) OVER 50u" NICKEL
    - SOLDER TAIL: 100u" MIN Sn OVER 50u" NICKEL
    - HOLD DOWN: 100u" MIN Sn OVER 50u" NICKEL
  - PER SFF REV 2.2, EXCEPT 0.8mm PITCH BUMP AREA
  - THE STANDARD PACKAGING IS IN TRAY UNLESS OTHERWISE SPECIFIED
  - THE HOUSING WILL WITHSTAND EXPOSURE TO 260°C PEAK TEMPERATURE FOR 10 SECONDS IN A CONVECTION, INFRA-RED OR VAPOR PHASE REFLOW OVEN.
  - THIS PRODUCT MEETS EUROPEAN UNION DIRECTIVES AND OTHER COUNTRY REGULATIONS AS DESCRIBED IN GS-47-0004.
  - PART NUMBER ENDING IN "LF" MEANS FOR NOTE 8 LEAD FREE IDENTIFICATION.
  - A SYMBOL WILL BE NEXT TO ANY DIMENSION, VIEW, OR NOTE WHICH HAS BEEN MODIFIED WITH THE CURRENT DRAWING REVISION.



Copyright FCI.

spec ref	-	dr	Koon-Poh Tay	2013/11/06	projection	MM	size	A3	scale	1:1
tolerance std	TOLERANCES UNLESS OTHERWISE SPECIFIED	eng	Koon-Poh Tay	2015/02/17		← →	ecn no	ELX-S-20267-1	rel level	Released
-	-	chr	-	-						
surface	✓	appr	Chen-Hong Tan	2015/03/02	product family	SAS/PCIe RECEPTACLE	dwg no	10120513	rev	B
-	linear	0.X	±0.30		VERTICAL SMT	cat. no.	Product - Customer Drw	sheet 2 of 2		
-	0.XX	±0.20								
-	0.XXX	±								
-	angular	0°	±2°	www.fci.com						