



AP1023

2ch H-Bridge Constant Voltage Control Motor Driver IC

1. General Description

The AP1023 is 2ch H-Bridge Motor Driver corresponding to motor operating voltage range from 1.6 to 6.5V. The AP1023 is capable of driving two motor or one stepper motor. The AP1023 is suitable for battery drive application, and realizes to the battery life by PWM constant voltage control. The AP1023 is housed in a small 4×4mm 24pin QFN package with good heat dissipation performance, and therefore contributes to downsize Printed Circuit Board.

2. Features

- PWM Constant Voltage Control
- Motor Operating Voltage 1.6V~6.5V
- Control Supply Voltage 2.7V~5.5V
- Maximum Output Current 1.45A(Ta=25°C, 2ch simultaneously)
- H-Bridge On-Resistance (High+Low) 0.54Ω (Ta=25°C)
- Built-in Charge Pump block
- Under Voltage Lockout Circuit (UVLO)
- Thermal Shutdown Circuit (TSD)
- Operating Temperature Range -30°C~85°C
- Package 24pin QFN (4mm×4mm, with Ex-posed PAD)

3. Table of Contents

1. General Description	1
2. Features.....	1
3. Table of Contents.....	2
4. Block Diagram and Functions	3
■ Block Diagram	3
■ Functions	3
5. Ordering Guide.....	4
6. Pin Configurations and Functions.....	4
■ Pin Configurations.....	4
■ Functions	4
7. Absolute Maximum Ratings	5
8. Recommended Operating Conditions.....	6
9. Electrical Characteristics	7
10. Functional Descriptions	9
10.1 Operation Outline	9
10.2 Motor Driver Block Configuration	10
10.3 Protection Circuits	11
11. Recommended External Circuits	12
■ Recommended External Circuits	12
12. Package.....	13
■ Outline Dimensions	13
■ Recommended Land Pattern.....	13
■ Marking	13
13. Revise History	14
IMPORTANT NOTICE	15

4. Block Diagram and Functions

■Block Diagram

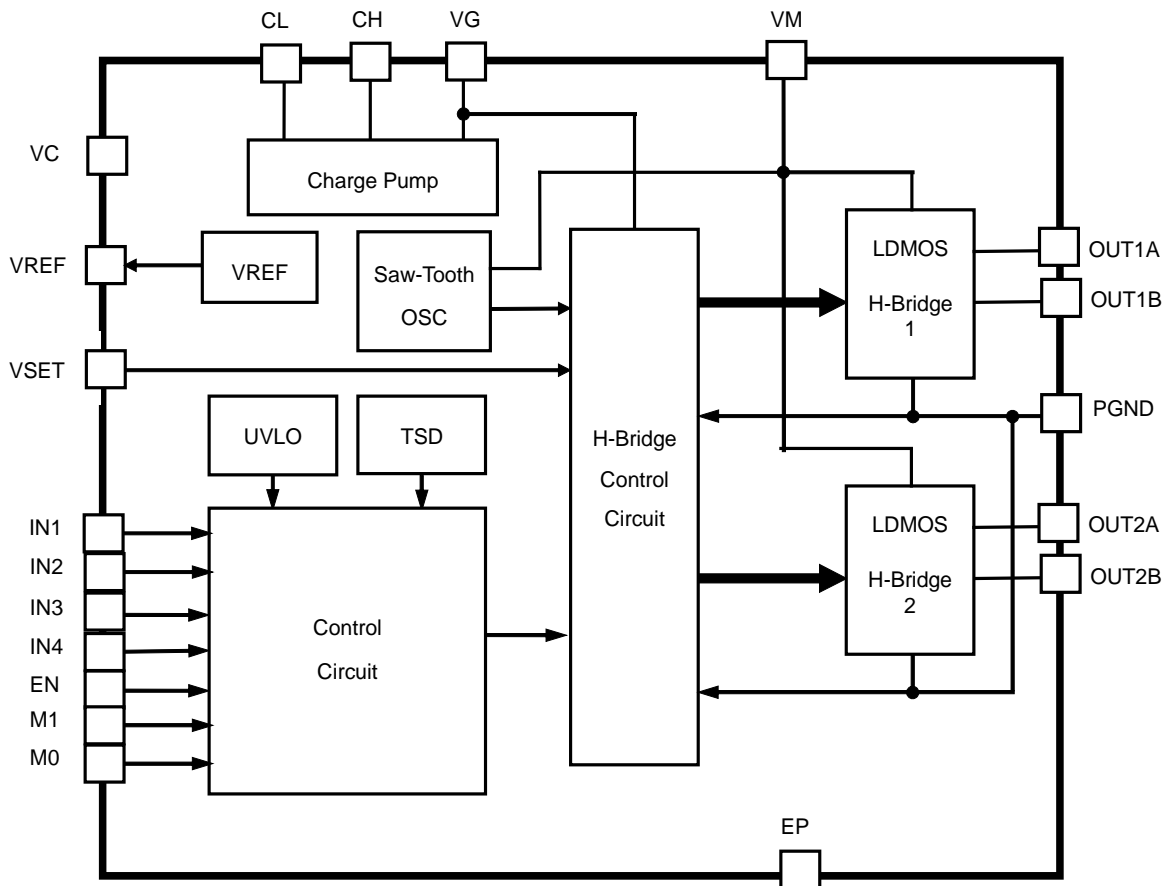


Figure 1. Block Diagram

■Functions

No	Block Name	Function
1	Charge Pump	Generate High side Gate drive Voltage.
2	VREF	Output Reference Voltage. It uses PWM Constant Voltage Setting pin, VSET.
3	Saw-Tooth OSC	According to input signal and VSET setting Voltage, VM voltage, the AP1023 generates PWM control signal and supplies H-Bridge Control Circuit.
4	UVLO	If VC voltage is lower than 2.2V (typ.) at the starting, the H-Bridge output is the Hi-Z.
5	TSD	If the internal temperature of the IC (Tj) reaches 175 °C (typ.), the H-Bridge outputs Hi-Z.
6	Control Circuit	Every block is controlled by signal of Input terminal. When UVLO and TSD operate at the abnormal operation, every block is stopped.
7	H-Bridge Control Circuit	According to information from Control Circuit and PWM control setting (M0, M1), PWM Constant Voltage (VSET), the AP1023 generates signal to drive H-Bridge.
8	LDMOS H-Bridge1, 2	H-Bridge is configured by Hi-Side(TOP) and Lo-Side(BOT) Nch-MOSFET.

5. Ordering Guide

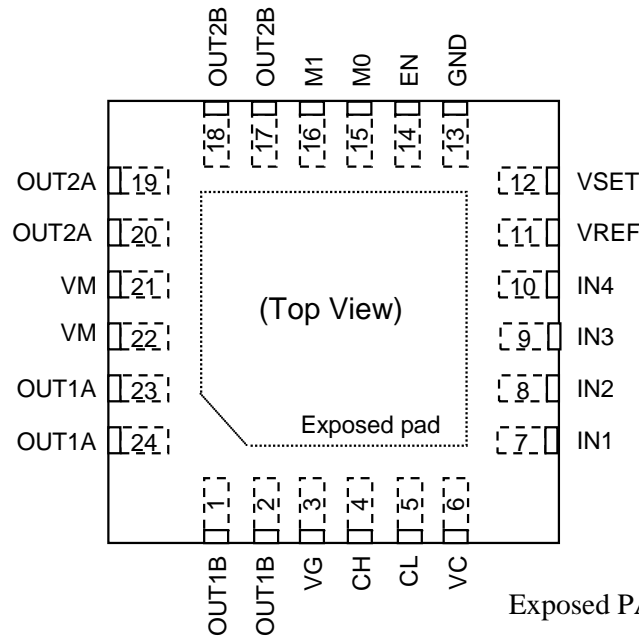
AP1023AEN

-30°C~85°C

24-pin QFN

6. Pin Configurations and Functions

■Pin Configurations



Exposed PAD must be connected to GND.

■Functions

Pin Number	Pin Name	I/O	Functions	Notes
1,2	OUT1B	O	Motor Driver Output	
3	VG	I/O	Connect Terminal for Stabilizing Capacitor.	
4	CH	I/O	Connect Terminal for Charge Pump Capacitor.	
5	CL	I/O	Connect Terminal for Charge Pump Capacitor.	
6	VC	P	Control Power Supply	
7	IN1	I	Control Signal Input	Built-in 200kΩ Pull-down
8	IN2	I	Control Signal Input	Built-in 200kΩ Pull-down
9	IN3	I	Control Signal Input	Built-in 200kΩ Pull-down
10	IN4	I	Control Signal Input	Built-in 200kΩ Pull-down
11	VREF	O	Output Terminal of Reference Voltage	
12	VSET	I	Constant Voltage Analog input	
13	GND	P	Ground	
14	EN	I	Enable Signal Input	Built-in 200kΩ Pull-down
15	M0	I	Constant Voltage magnification setting Input (x1, x2)	Built-in 200kΩ Pull-down
16	M1	I	Driver control setting Input (Two Phase-excitation, Generic)	Built-in 200kΩ Pull-down
17,18	OUT2B	O	Motor Driver Output	
19,20	OUT2A	O	Motor Driver Output	
21,22	VM	P	Motor Power Supply	
23,24	OUT1A	O	Motor Driver Output	
EP	PGND	P	Power Ground, Ex-posed Pad	PGND and EP are shorted on the frame.

Note 1. I(Input pin), O(Output pin), P(Power pin), I/O(Input/Output pin)

7. Absolute Maximum Ratings

Parameter	Symbol	min	max	Unit	Condition
Control Supply Voltage	VC	-0.5	6.0	V	
Motor Operating Voltage	VM	-0.5	7.0	V	
VC Level Terminal Voltage (INn,VREF,VSET,M1,M0,EN)	Vterm1	-0.5	VC	V	
VM Level Terminal Voltage (OUTnA, OUTnB,CL)	Vterm2	-0.5	VM	V	
VC+VM Level Terminal Voltage (CH,VG)	Vterm3	-0.5	13.0	V	
Maximum Output Current	Iload	-	1.35	A	Ta=85°C, 1ch (Note 3)
		-	0.95	A/ch	Ta=85°C, 2ch simultaneously (Note 3,Note 4)
Power Dissipation	PD	-	3.125	W	Thermal shutdown detection Temperature: Tj=150°C , (Note 3,Note 4)
Junction Temperature	Tj	-	150	°C	
Storage Temperature	Tstg	-40	150	°C	

Note 2.All above voltages are with respect to GND=PGND=0V. GND and PGND must be connected to a ground plane.

Note 3. For Power Dissipation, the output current rating may be limited by duty cycle, Ta, and PCB board heat sinking design.

Note 4.A 4-layer board is used. R_{θJA} = 40°C/W.

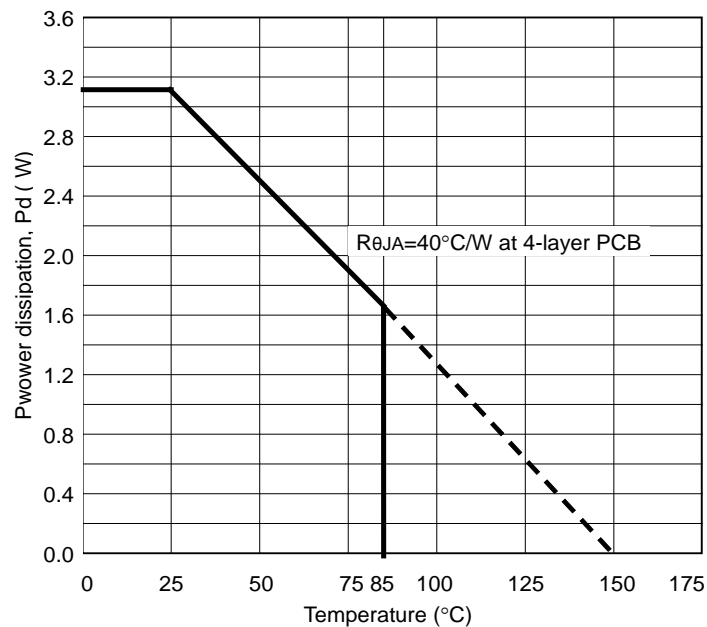


Figure 2. Maximum Power Dissipation

WARNING: Operation at or beyond these limits may result in permanent damage to the device. Normal operation is not guaranteed at these extremes.

8. Recommended Operating Conditions
--

(Ta=25°C, unless otherwise specified.)

Parameter	Symbol	min	typ	max	Unit	Condition
Motor Operating Voltage	VM	1.6	5.0	6.5	V	
Control Supply Voltage	VC	2.7	3.0	5.5	V	
Input Frequency Range	Fin	-	-	1	kHz	M1="L",IN1,2
VSET terminal Voltage	VSET	0.5	-	VC	V	
Operating Temperature Range	Ta	-30	-	85	°C	

WARNING: The maximum ratings are the absolute limitation values with the possibility of the IC breakage. When the operation exceeds this standard quality cannot be guaranteed.

9. Electrical Characteristics

(Ta=+25°C, VM=3.0V, VC=3.3V, unless otherwise specified.)

Parameter	Symbol	Condition	min	typ	max	Unit
Quiescent Current						
VC Quiescent Current at the time of Power Save	I _{VCOFF}	IN=All "L"	-	-	1	μA
VM Quiescent Current at the time of Power Save	I _{VMOFF}	IN=All "L"	-	-	1	μA
VC Quiescent Current at the time of Operating	I _{VC}		-	0.45	1.0	mA
Charge Pump						
Charge Pump Voltage	VG	VG = VM+VC, Iload=0A	-	-	6.3	V
Charge Pump Rise Time	tVGON	Charge-Pump: VC > VC _{UV}	-	0.3	3.0	ms
H-Bridge						
Driver on resistance 1 (H-Bridge High+Low)	R _{ON}	Iload 1ch/2ch = 0.1A/0.1A	-	0.54	0.70	Ω
Driver on resistance 2 (H-Bridge High+Low)(Note 6)	R _{ONTJ}	Iload 1ch/2ch = 0.1A/0.1A Tj = 150°C	-	0.72	0.86	Ω
H-Bridge Driver Body diode forward voltage	V _F	I _F = 100mA	-	0.8	1.2	V
Delay Time						
Output Delay Time ("L"→"H")	tPDLH	Connected to 1kΩ between OUTA and OUTB.(Figure 3) IN1=IN3="L", VM=3.6V	-	-	1.0	μs
Output Delay Time ("H"→"L")	tPDHL	IN2=IN4=200kHz VC=3V, VSET=1.9V N=2 (M0="H"), M1="H"	-	-	1.0	μs
Output Pulse Width	tPW	Connected to 20Ω between OUTA and OUTB. Input Pulse Width : 1μs(Figure 3)	0.6	1.0	1.4	μs
Control Logic						
Input High Level Voltage	V _{IH}		0.7×VC	-	-	V
Input Low Level Voltage	V _{IL}		-	-	0.3×VC	V
Input Pulse Rise Time	t _R		-	-	1.0	μs
Input Pulse Fall Time	t _F		-	-	1.0	μs
Input High Level Current	I _{IH}	VC=3.0V	7.5	15	30	μA
Input Low Level Current	I _{IL}		-1.0	-	1.0	μA
Constant Voltage Control						
VREF Output Voltage	V _{REF}	Iref=0.1mA	2.25	2.5	2.75	V
PWM Frequency1	f _{PWM1}	VM=1.6V~6.5V	10	-	160	kHz
PWM Frequency2	f _{PWM2}	VM=1.8V~3.6V	25	-	140	kHz
Constant Voltage Control Accuracy1	Duty _{OUT1}	VM=3.6V, VSET=1.8V, M0="L"	45	50	55	%
Constant Voltage Control Accuracy2	Duty _{OUT2}	VM=1.8V, VSET=1.8V, M0="L"	95	-	100	%
Voltage between the OUT terminal	V _{OUT}	VM=2.0V, Iout=200mA VSET=1.85V	1.65	1.75	1.85	V
Protection Circuit						
VC Under Voltage Detect Voltage	VC _{UV}		1.9	2.2	2.5	V
Thermal Shutdown Temperature (Note 6)	T _{TSD}		150	175	200	°C
Temperature Hysteresis (Note 6)	T _{TSDHYS}		-	30	-	°C

Note 5.All above voltage is defined to GND=0V.

Note 6.Not tested under mass-production.

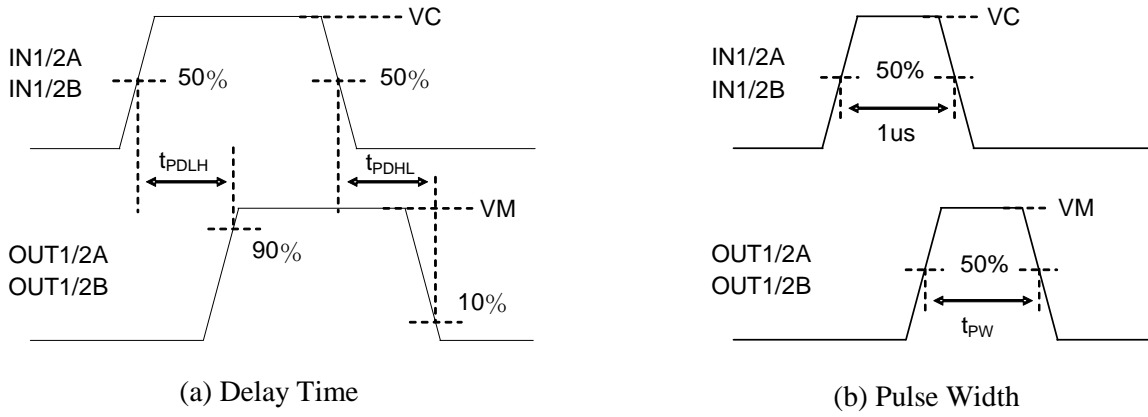


Figure 3. Timming Chart (Delay Time, Pulse Width)

10. Functional Descriptions

10.1 Operation Outline

The AP1023 can adjust the PWM duty of the output signal so that the average voltage of the H-Bridge output is about “VSET×N”.

Ex. N=1, VSET =1.8V, VM=3.6V→50% duty PWM signal Output,
H-Bridge Output average Voltage=1.8V

N=1, VSET =1.8V, VM=1.8V→100% duty PWM signal Output,
H-Bridge Output average Voltage=1.8V

H-Bridge Output average voltage can be hold without depending VM.

Ex. VREF×N>VM→100% duty, H-Bridge Output average Voltage=1.8V

It should be noted that this average output voltage does not include the voltage loss due to the load current and the on-resistance of the H-Bridge. Please note that different from the actual voltage applied to the load.

Calculation of Output signal duty : PWM duty = VSET×N /VM

Table 1. Selection of the Setting voltage magnification (N) by the M0 signal

M0	N
L	1 (PWM Constant Voltage Control)
H	2 (PWM Constant Voltage Control)

Table 2. Selection of the Input Logic by the M1 signal (Input Logic of M1 = "L" is the best in the case of a Two-phase excitation.)

M1	Input Logic
L	Two-phase excitation
H	Generic

Table 3. M1="L"

INPUT					OUTPUT				Mode
EN	IN1	IN2	IN3	IN4	OUT1A	OUT1B	OUT2A	OUT2B	
L	-	-	-	-	Hi-Z	Hi-Z	Hi-Z	Hi-Z	Power Save(Note 7)
H	L	-	-	-	L	H(PWM)	-	-	CCW(Reverse)
H	H	-	-	-	H(PWM)	L	-	-	CW(Forward)
H	-	L	-	-	-	-	L	H(PWM)	CCW(Reverse)
H	-	H	-	-	-	-	H(PWM)	L	CW(Forward)

Table 4. M1="H"

INPUT					OUTPUT				Mode
EN	IN1	IN2	IN3	IN4	OUT1A	OUT1B	OUT2A	OUT2B	
L	-	-	-	-	Hi-Z	Hi-Z	Hi-Z	Hi-Z	Power Save(Note 7)
H	L	L	-	-	L	L	-	-	Brake
H	H	L	-	-	H(PWM)	L	-	-	CW(Forward)
H	L	H	-	-	L	H(PWM)	-	-	CCW(Reverse)
H	H	H	-	-	Hi-Z	Hi-Z	-	-	Standby
H	-	-	L	L	-	-	L	L	Brake
H	-	-	H	L	-	-	H(PWM)	L	CW(Forward)
H	-	-	L	H	-	-	L	H(PWM)	CCW(Reverse)
H	-	-	H	H	-	-	Hi-Z	Hi-Z	Standby

Note 7. Charge Pump block and TSD, UVLO don't operate at the Power Save.

10.2 Motor Driver Block Configuration

The N-ch LDMOS FET of the output stage is layout on both sides of the high-side and low-side, and therefore the AP1023 possible to be housed in a small package.

Hi-side FET is driven by VG. “VG=VM+VC” is generated by Charge-Pump. Lo-side FET is driven by VC.

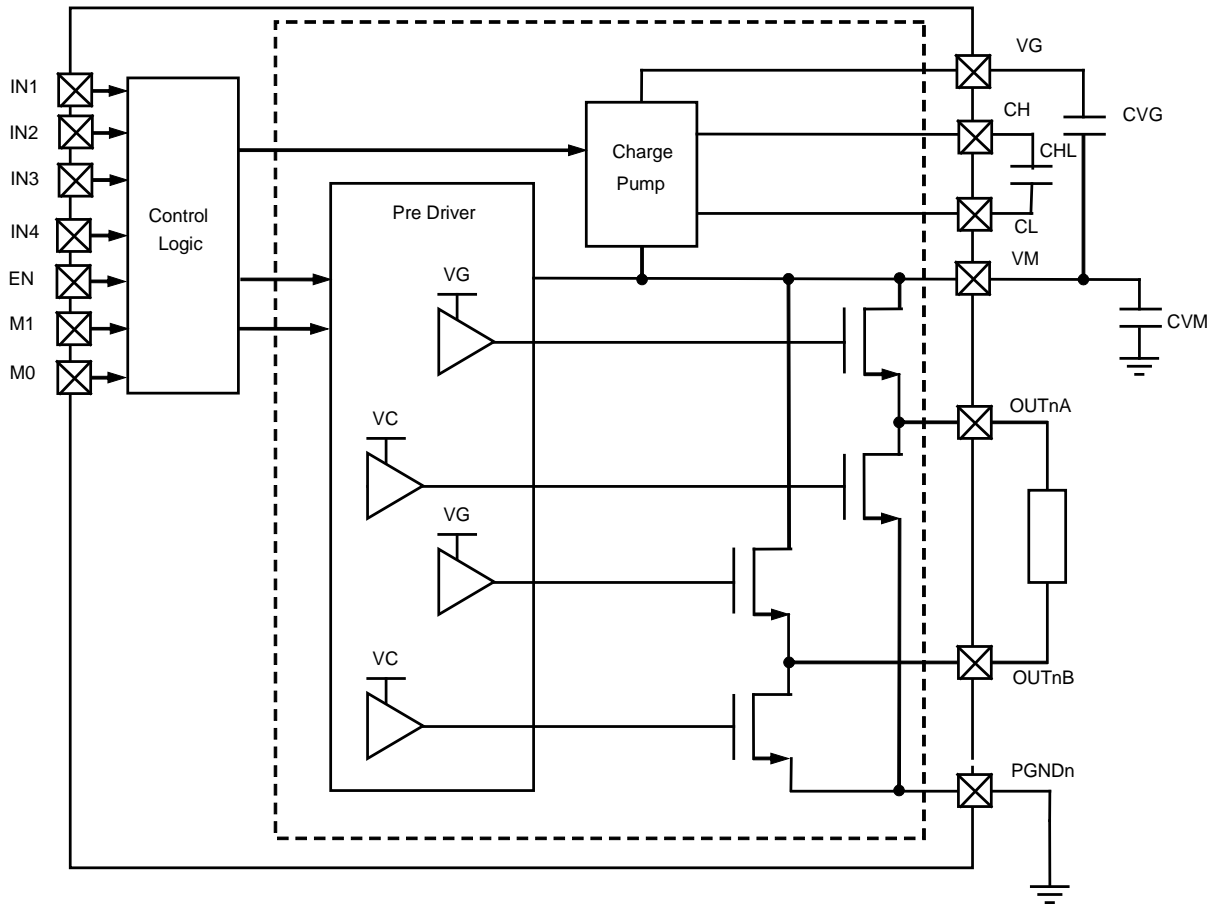


Figure 4.Driver Block Equivalent circuit

10.3 Protection Circuits

- Under Voltage Lockout(UVLO)

If VC voltage is lower than 2.2V (typ.) at the starting, the H-Bridge output is the Hi-Z.

- Thermal Shutdown(TSD)

When the internal temperature of the IC reaches the specified temperature ($T_{TSD(min)}=150^{\circ}C$), and the H-Bridge driver outputs Hi-Z. When the internal temperature after the detection is lowered about $30^{\circ}C$ (T_{TSDHYS}), drivers will start the operation.

$$\text{Restart Temperature} = T_{TSD} - T_{TSDHYS}$$

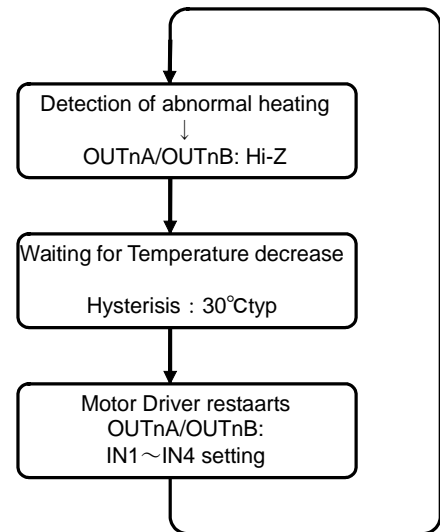


Figure 5.Detection of abnormal heating

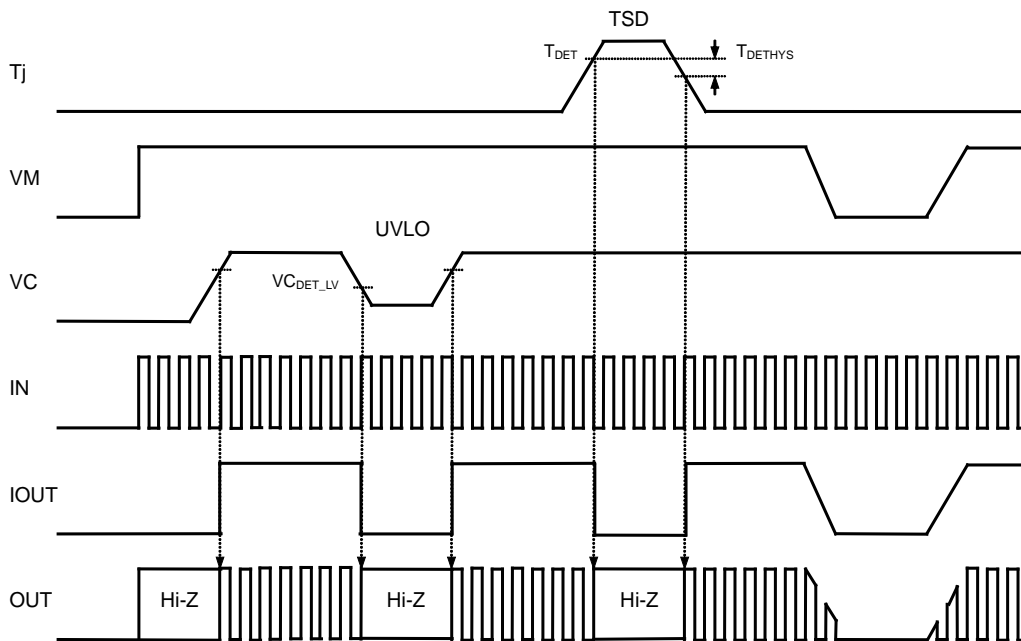


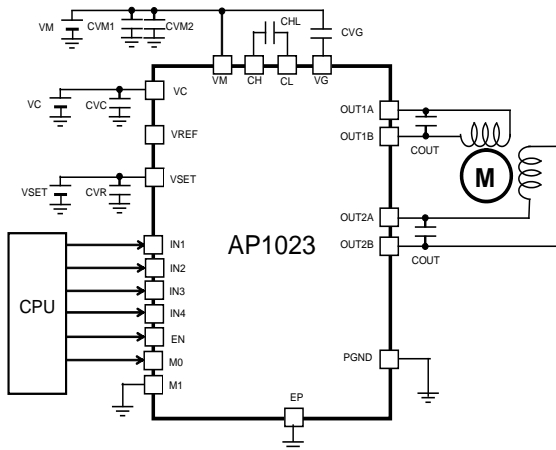
Figure 6. Protection Circuits Timing Chart

Note 8. There is no restriction to the power-up sequence of VM and VC.

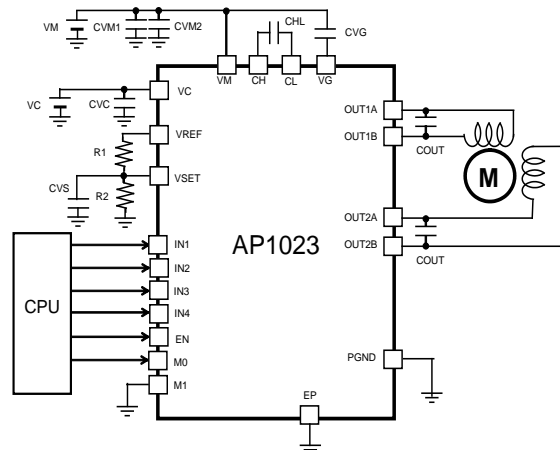
11. Recommended External Circuits

■ Recommended External Circuits

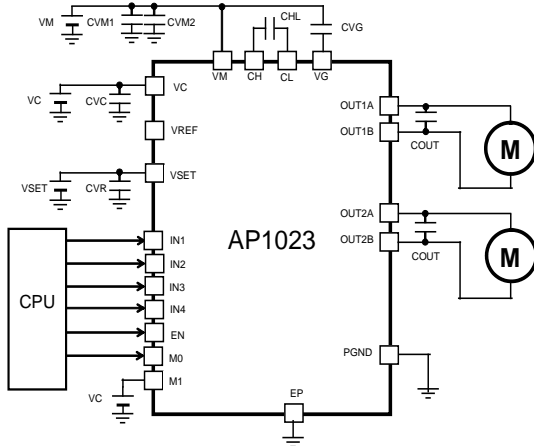
• Driving Stepper Motor(External VREF)



• Driving Stepper Motor(Internal VREF)



• Driving DC Motor(External VREF)



• Driving DC Motor(Internal VREF)

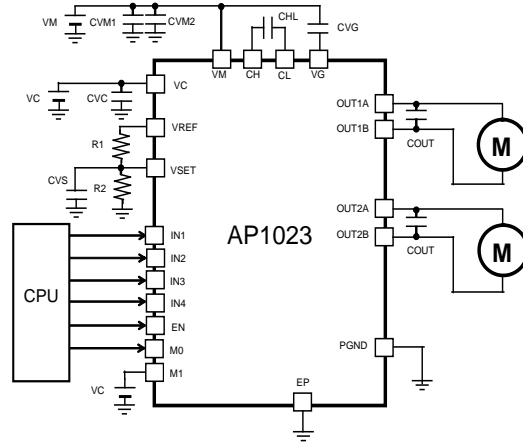


Figure 7.Recommended External Circuits

Table 5. Parts List

Item	Value	Unit	Note
CVM1	22	μF	stabilization capacitors
CVM2	1.0	μF	de-coupling capacitor
CVC	0.1	μF	
CHL	0.1	μF	
CVG	0.1	μF	
CVR	0.1	μF	
CVS	100	pF	
COUT	0.1	μF	
R1	130k	ohm	R1+R2 ≥ 50k Ω
R2	370k	ohm	

Note 9.Above values are examples. Please choose appropriate external components for your system board.

Note 10.Capacitance of CVM and CVC should be determined in consideration of the load current profile, the load capacitance, the line resistance and etc. of the actual system board.

Note 11.Please layout the large ground plane on the PCB.

Note 12.Exposed Pad (heat sink) is common to the ground terminal. Please connect it to the ground of the PCB.

13. Revise History

Date (YY/MM/DD)	Revision	Page	Contents
16/03/24	00	-	First Edition

IMPORTANT NOTICE

0. Asahi Kasei Microdevices Corporation (“AKM”) reserves the right to make changes to the information contained in this document without notice. When you consider any use or application of AKM product stipulated in this document (“Product”), please make inquiries the sales office of AKM or authorized distributors as to current status of the Products.
1. All information included in this document are provided only to illustrate the operation and application examples of AKM Products. AKM neither makes warranties or representations with respect to the accuracy or completeness of the information contained in this document nor grants any license to any intellectual property rights or any other rights of AKM or any third party with respect to the information in this document. You are fully responsible for use of such information contained in this document in your product design or applications. **AKM ASSUMES NO LIABILITY FOR ANY LOSSES INCURRED BY YOU OR THIRD PARTIES ARISING FROM THE USE OF SUCH INFORMATION IN YOUR PRODUCT DESIGN OR APPLICATIONS.**
2. The Product is neither intended nor warranted for use in equipment or systems that require extraordinarily high levels of quality and/or reliability and/or a malfunction or failure of which may cause loss of human life, bodily injury, serious property damage or serious public impact, including but not limited to, equipment used in nuclear facilities, equipment used in the aerospace industry, medical equipment, equipment used for automobiles, trains, ships and other transportation, traffic signaling equipment, equipment used to control combustions or explosions, safety devices, elevators and escalators, devices related to electric power, and equipment used in finance-related fields. Do not use Product for the above use unless specifically agreed by AKM in writing.
3. Though AKM works continually to improve the Product’s quality and reliability, you are responsible for complying with safety standards and for providing adequate designs and safeguards for your hardware, software and systems which minimize risk and avoid situations in which a malfunction or failure of the Product could cause loss of human life, bodily injury or damage to property, including data loss or corruption.
4. Do not use or otherwise make available the Product or related technology or any information contained in this document for any military purposes, including without limitation, for the design, development, use, stockpiling or manufacturing of nuclear, chemical, or biological weapons or missile technology products (mass destruction weapons). When exporting the Products or related technology or any information contained in this document, you should comply with the applicable export control laws and regulations and follow the procedures required by such laws and regulations. The Products and related technology may not be used for or incorporated into any products or systems whose manufacture, use, or sale is prohibited under any applicable domestic or foreign laws or regulations.
5. Please contact AKM sales representative for details as to environmental matters such as the RoHS compatibility of the Product. Please use the Product in compliance with all applicable laws and regulations that regulate the inclusion or use of controlled substances, including without limitation, the EU RoHS Directive. AKM assumes no liability for damages or losses occurring as a result of noncompliance with applicable laws and regulations.
6. Resale of the Product with provisions different from the statement and/or technical features set forth in this document shall immediately void any warranty granted by AKM for the Product and shall not create or extend in any manner whatsoever, any liability of AKM.
7. This document may not be reproduced or duplicated, in any form, in whole or in part, without prior written consent of AKM.