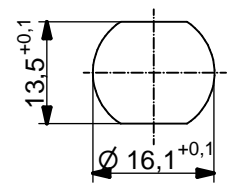
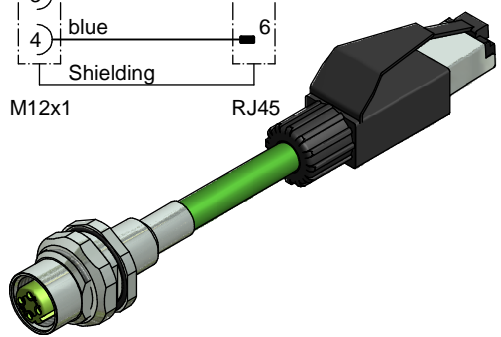
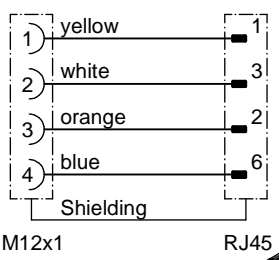


Contact assignment:



Minimum wall thickness 1,5mm, alternativ panel cut-out d=16,1

Technical specification :

- Rated voltage: 48 V
- Current rating: 350 mA bei 40°C
- Transmission characteristic: Class D IEC 60512-2 Male RJ45
- Pollution degree: 3/2 IEC 60664-1
- Degree of protection M12x1: IP 67, in mated condition IEC 60529
- Degree of protection RJ45: IP 20, in mated condition IEC 60529
- Temperature range: -20°C ... +60°C
- Mating cycles: >=100 IEC 60512-9a

Cable specification:

- Temperatur range: -40°C ... +70°C
- bewegt: -20°C ... +60°C
- Numbers of cycles: 3 Mio. at 4 m/s

Material socket M12x1:

- Contact: CuZn, Ni b / Au 0,2 gal.
- Contact carrier: PA, UL 94 V-0
- Sealing: FPM
- Counternut: CuZn, nickel plated
- Socket housing: CuZn, nickel plated
- Shield: CuZn, nickel plated

Material RJ45:

- Contact: Cu - alloy, Au
- Contact carrier: PBT / PC, UL 94 V-0
- Shield cover: Cu - alloy, Sn
- Conductor holding tray: PC, UL 94 V-0
- Housing: PA, UL 94 V-0, black

Installation specification:

- Recommended torque: 1-1,2 Nm
- Conec installation tool: Torque wrench: 36-000200
Insert across flats 19: 36-000250

Part no:	Description:	Length L:	Cable:
43-01678	SAL - 45S - SS4.003 - 12D - FKH4.2 - 0,5 / G6	0,5m	TPU, UL, green, 4xAWG22 Cable: 781-G63400
43-01679	SAL - 45S - SS4.003 - 12D - FKH4.2 - 1 / G6	1m	
43-01680	SAL - 45S - SS4.003 - 12D - FKH4.2 - 2 / G6	2m	
43-xxxxx	SAL - 45S - SS4.003 - 12D - FKH4.2 - ... / G6	x	

DO NOT ALTER CAD DRAWING BY HAND RoHS & REACH compliant	Index a - Ä5703 rbo 01.07.15 Data sheet updated, contact assignment modified		dim. in mm		title: Connecting cable, male connector RJ45 - female socket M12x1, backmounting	
			date	name		
	tolerance of cable: L ≤ 4m: L + 40mm L > 4m: L + 1%		drawn	23.09.10	Fromm	dwg no: 43K1A1193
	general tolerance: 0 ± 0,50mm 0,0 ± 0,25mm 0,00 ± 0,10mm + ± 5°		appd.	23.09.10	W.Schmidt	
THIS DRAWING MAY NOT BE COPIED OR REPRODUCED IN ANY WAY, AND MAY NOT BE PASSED ON TO A THIRD PARTY WITHOUT WRITTEN PERMISSION. OWNERSHIP AND COPYRIGHT OF CONEC GmbH		CONEC®		part no: see table		

