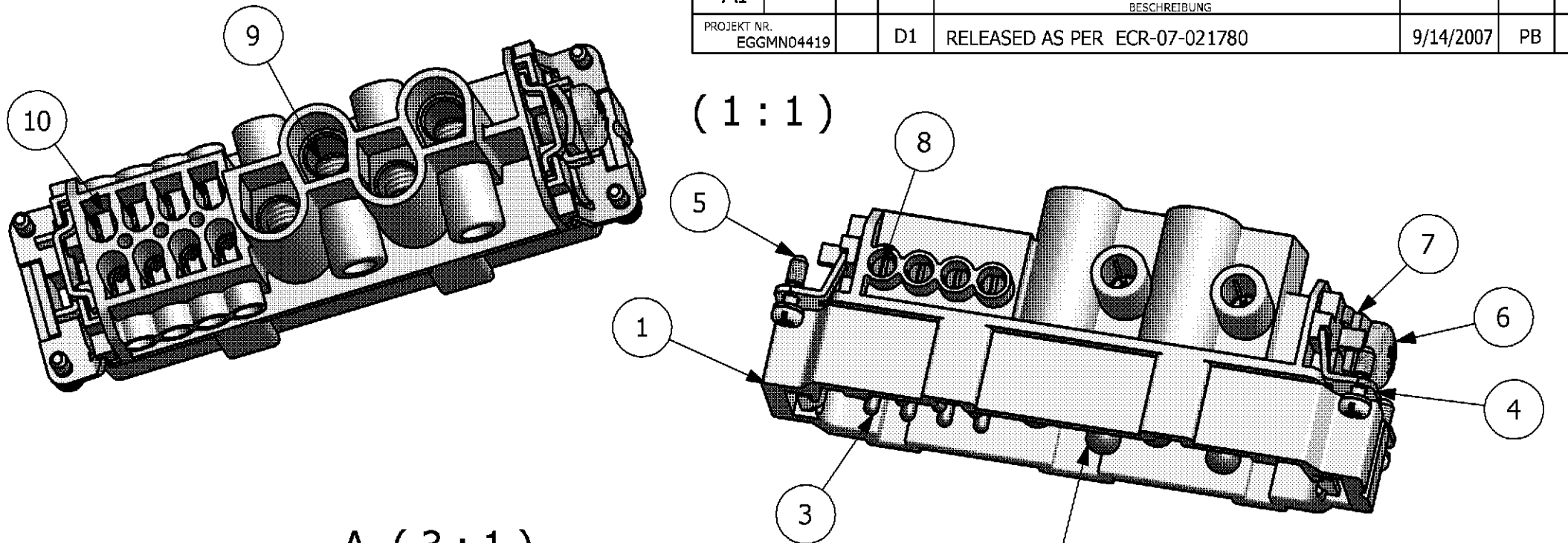
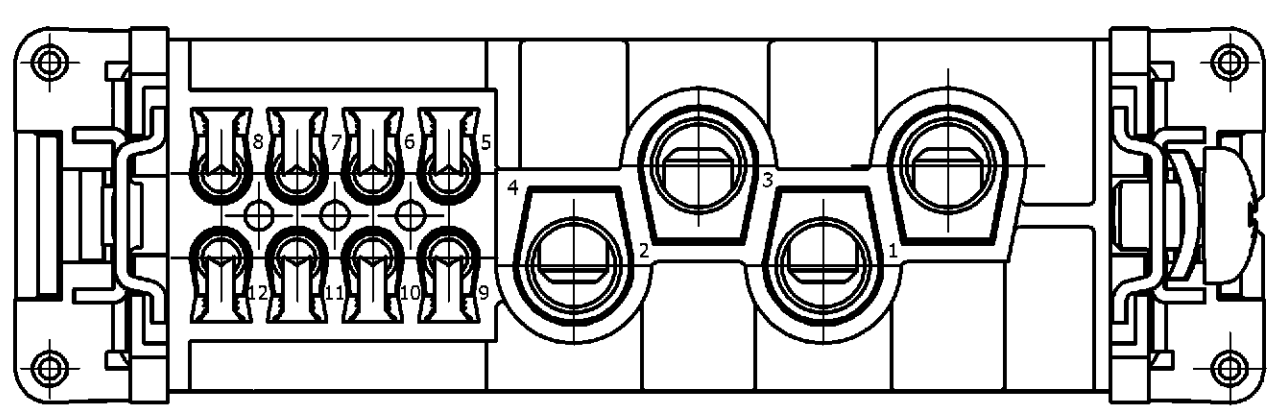


LOC	DIST	REVISIONS ÄNDERUNGEN			DATE	DWN	APVD
AI	-	P	LTR	DESCRIPTION BESCHREIBUNG			
PROJEKT NR. EGGMN04419		D1		RELEASED AS PER ECR-07-021780	9/14/2007	PB	TS

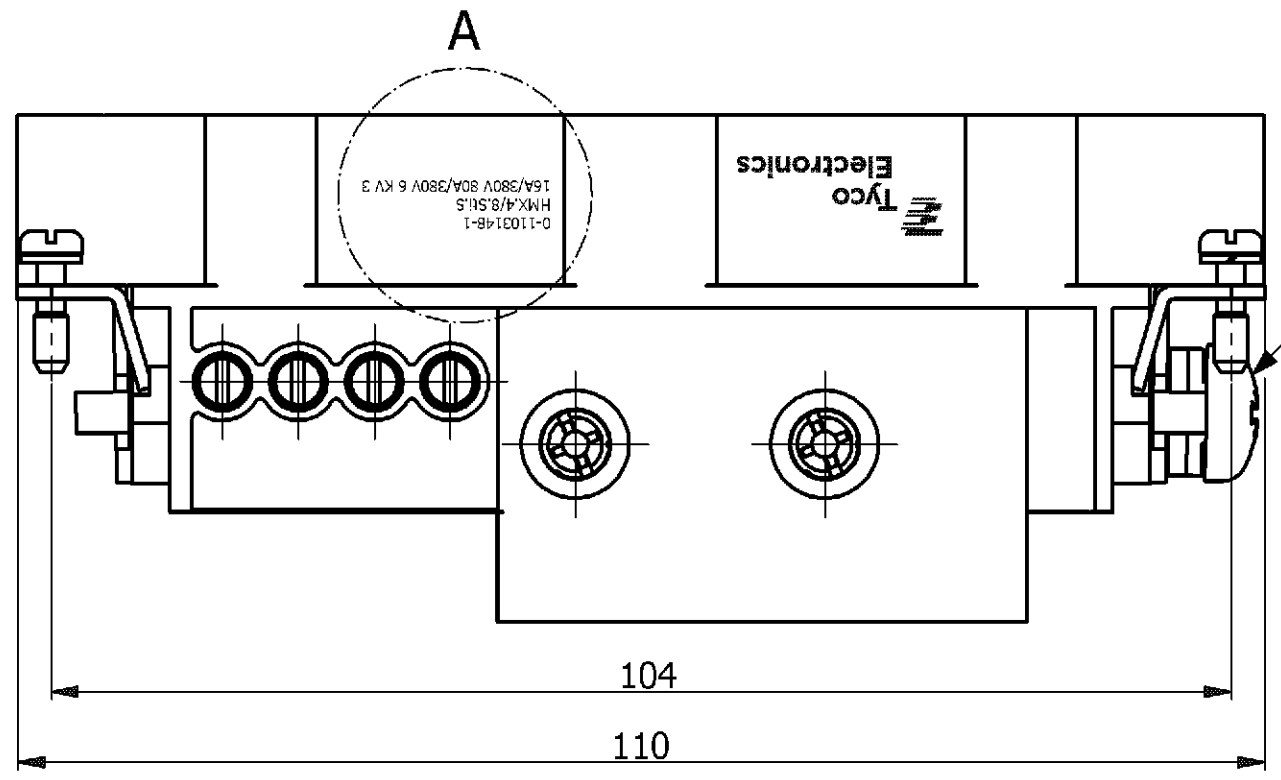
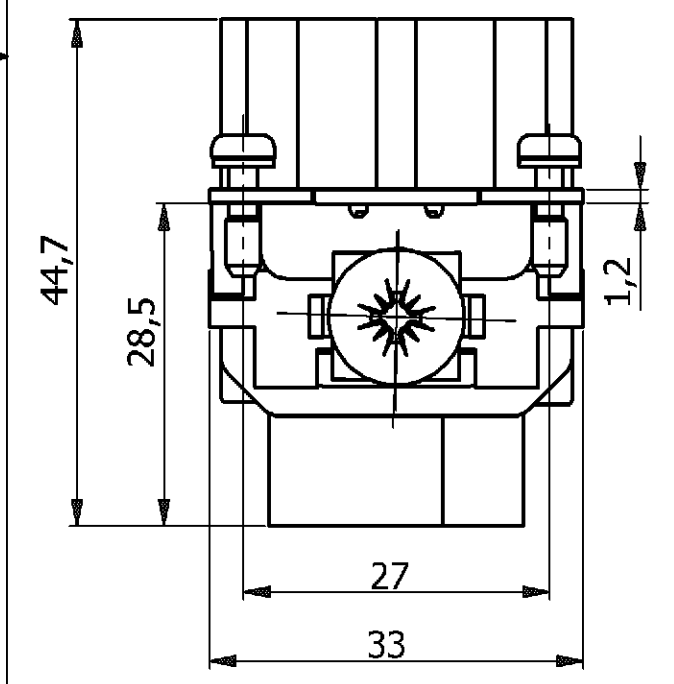
CONTACT ARRANGEMENT  
VIEW FROM TERMINATION SIDE



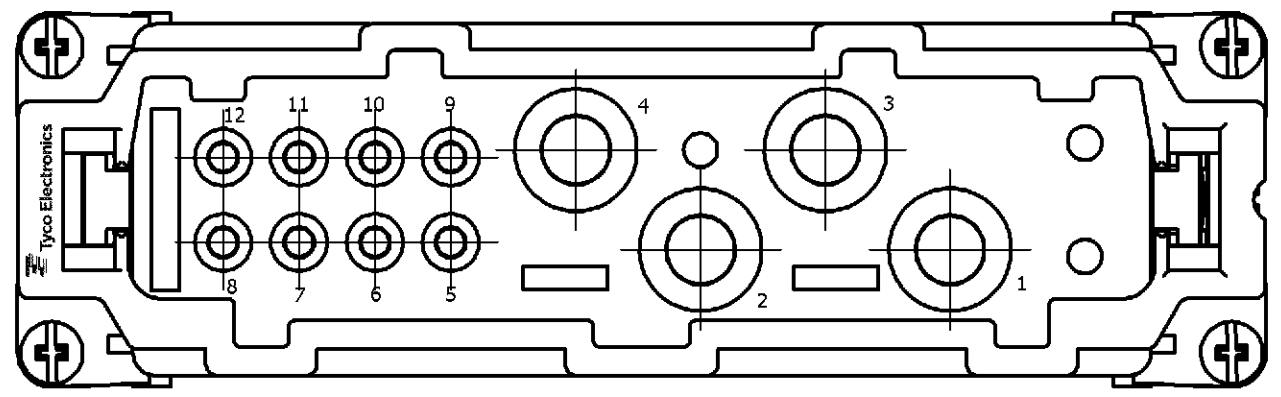
(1:1)

A (3:1)

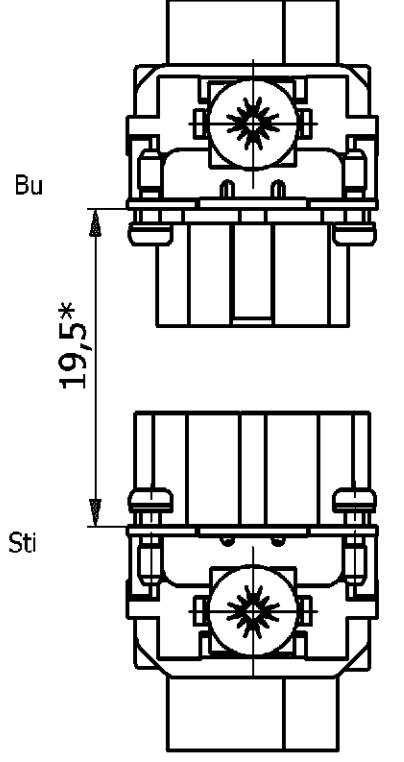
0-1103148-1  
HMX.4/8.Sti.S  
16A/380V 6 KV 3  
80A/380V 6 KV 3



CONTACT ARRANGEMENT  
VIEW FROM CONNECTING SIDE



\* distance for guaranteed contact 21 mm max.

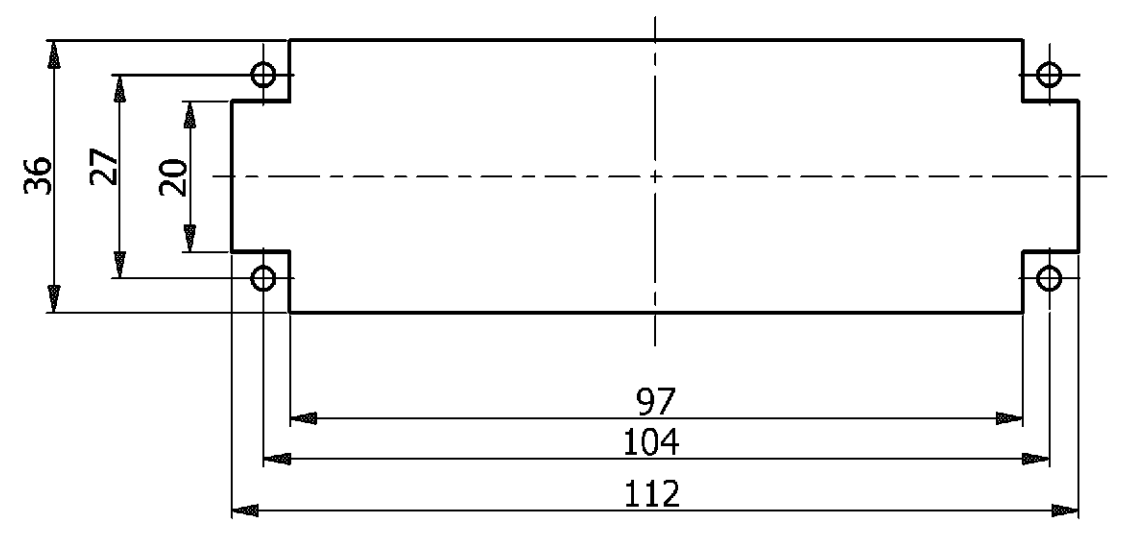


NOTES

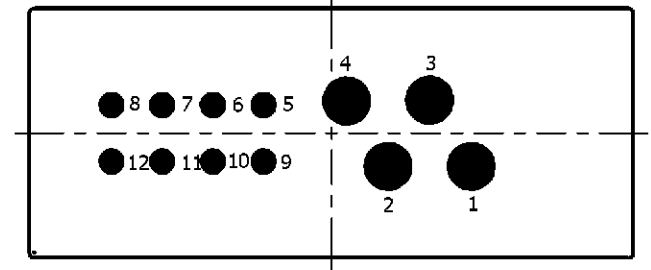
- POWER CONTACT: 1 TO 4  
OUTER DIMENSIONS OF INSULATION: MAX. Ø10,3 MM
- SIGNAL CONTACT: 5 TO 12  
OUTER DIMENSIONS OF INSULATION: MAX. Ø5,2 MM
- GROUNDING CONTACT
- SUITABLE HOOD SIZE 8: SERIES HB; HD; EMV AND HIP
- STANDARDS:  
DIN EN 61984; DIN EN 60664-1
- PACKAGING:  
5 PIECES IN A CARTON

0-1 AS SHOWN  
ORDERING TEXT: HMX.4/8.Sti.S

Panel cut-out for contact insert  
when used without housing



CONTACT ARRANGEMENT  
VIEW FROM TERMINATION SIDE



QTY	DESCRIPTION	MATERIAL	SURFACE	COLOR	NOTE	ITEM
8	SIGNAL WIRE PROTECTION STRIP	CuSn6	---	---	---	10
4	THREADED PIN	6,8	SURFACE DIN EN 12540 Fe/Ni 5b	BLUE	M6	9
8	CONTACT SCREW WITH SLOT	Cu Zn 40Pb3	---	BLUE	---	8
1	CLAMP TAB	STEEL	NICKEL PLATED	BLUE	---	7
1	CYLINDER SCREW, M5	STEEL	NICKEL PLATED	---	---	6
4	FIXING SCREW	STEEL	NICKEL PLATED	---	M3X10,5	5
2	GROUNDING CONTACT-PIN	Cu Zn37 F38	Cu/Ni 5b	---	---	4
8	PIN CONTACT (SIGNAL)	BRASS	SILVER PLATED	---	---	3
4	PIN CONTACT (POWER)	BRASS	SILVER PLATED	---	---	2
1	MALE INSERT HMX.4.8	PBT-GF30	---	LIGHT GREY	---	1

0-1 HMX.4/8.Sti.S

THIS DRAWING IS A CONTROLLED DOCUMENT FOR AMP INCORPORATED. FOR SUBJECT TO CHANGE AND THE CONTROLLING ENGINEER. ORGANIZATION SHOULD BE CONTACTED FOR THE LATEST REVISION. THESE TECHNICAL SPECIFICATIONS WILL BE INCORPORATED AUTOMATICALLY. ANDERÄNDERUNGEN, DIE DIE TECHNISCHEN EIGENSCHAFTEN, SIND VORBEHALTEN. DEN JEWEILIG LETZTGLÜTTIGEN ÄNDERUNGSSTAND ERFAHREN SIE AUF ANFRAGE.

DIMENSIONS: mm

TOLERANCES UNLESS OTHERWISE SPECIFIED: ALLGEMEIN TOLERANZEN

n. ISO 8015 - mH-E  
n. ISO 2768 - #  
n. DIN 16901-140

0 PLC #  
1 PLC #  
2 PLC #  
3 PLC #  
ANGLES / WINKEL #

MATERIAL 7

FINISH / OBERFLÄCHE / FARBE 8

WEIGHT / GEWICHT

DWN 12/22/2005 R.SRINIVAS

CHK 12/22/2005 M.SCHWEIGER

APVD 12/22/2005 T.SCHNURPFEL

NAME Tyco Electronics Tyco / Electronics AMP GmbH D - 53819 Neunkirchen

PRODUCT SPEC. 108-74065

APPLICATION SPEC. 114-74067

SIZE A2

CAGE CODE 00779

DRAWING NO. 1103148

RESTRICTED TO NUR FÜR

CUSTOMER DRAWING / KUNDENZEICHNUNG

SCALE MASSSTAB 1,5:1

SHEET BLATT 1 OF 1 VON 1

REV. D1