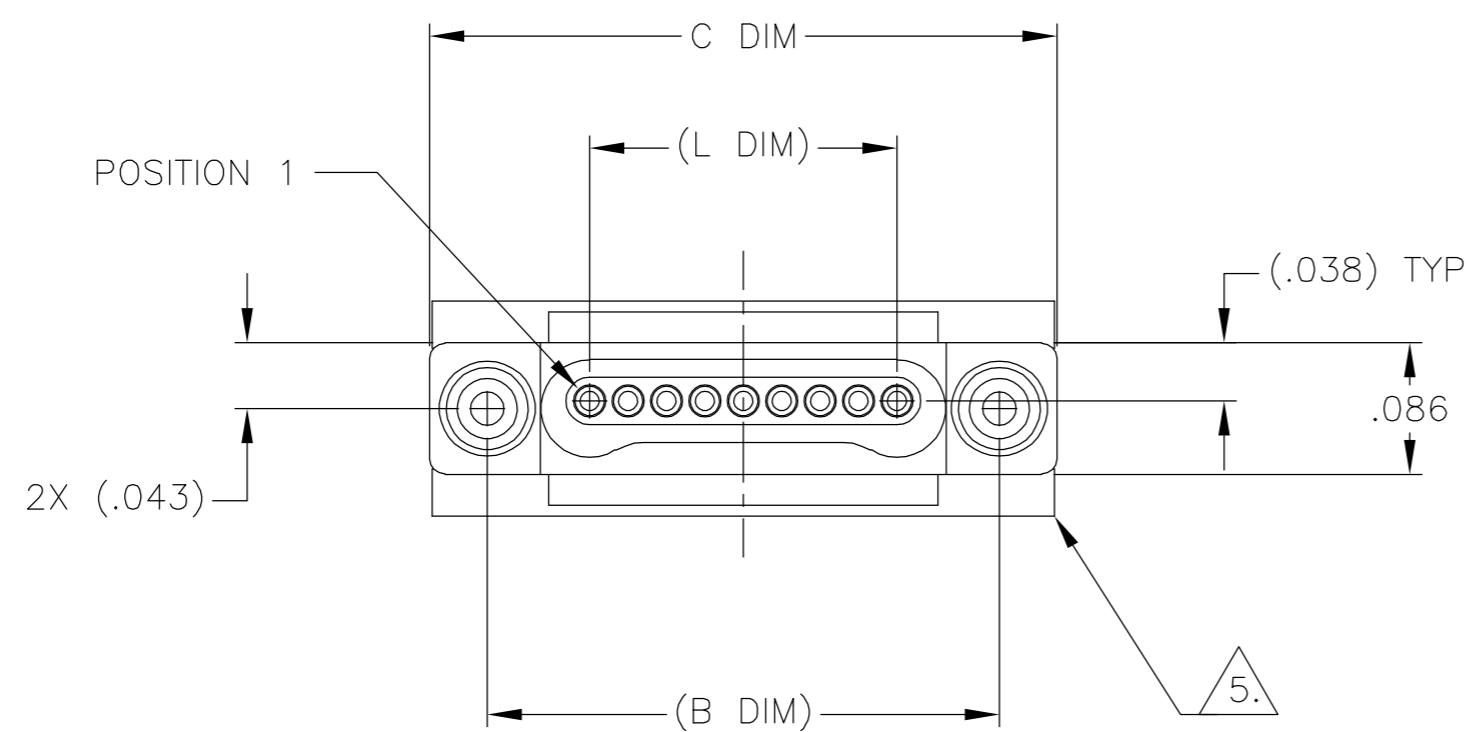
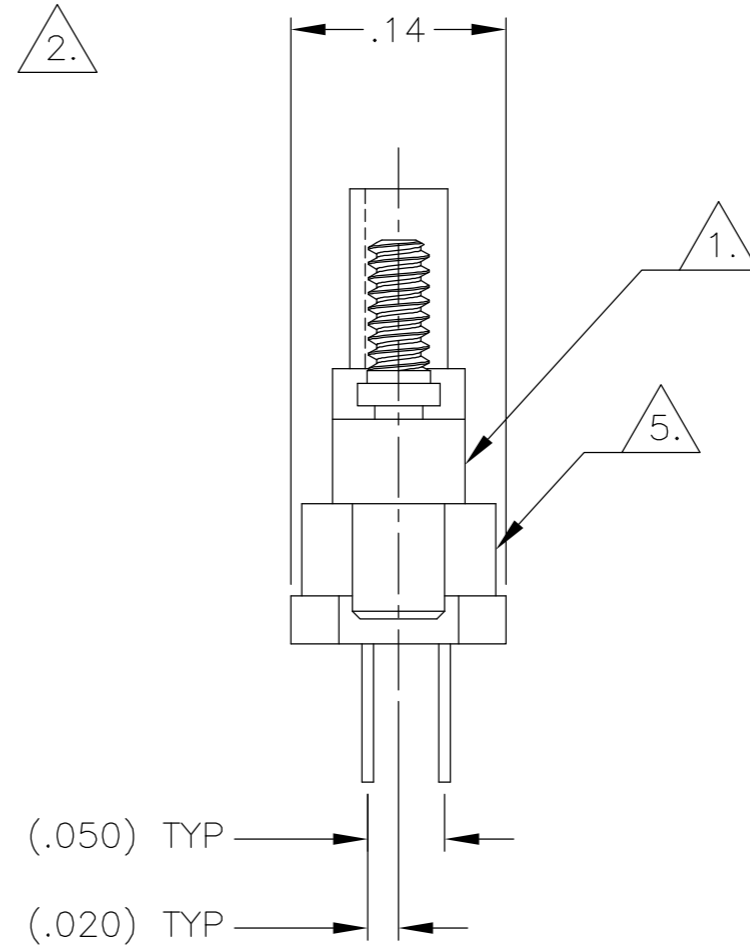
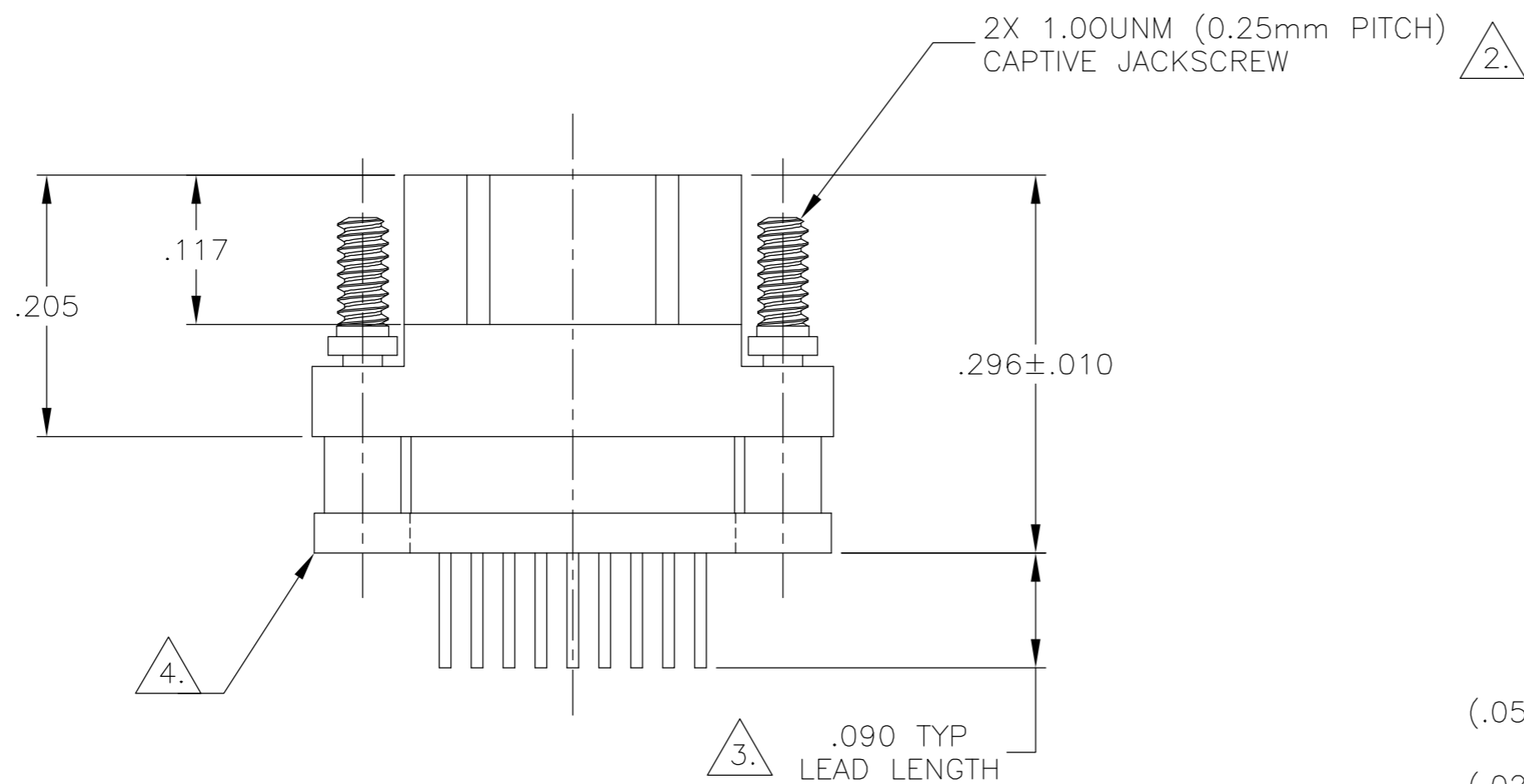


THIS DRAWING IS UNPUBLISHED. RELEASED FOR PUBLICATION  
 © COPYRIGHT BY TYCO ELECTRONICS CORPORATION. ALL RIGHTS RESERVED.

LOC	DIST	REVISIONS					
DF	DO	P	LTR	DESCRIPTION	DATE	DWN	APVD
		H		UPDATE PER 0H2Y-0164-04	05-12-04	JDM	MKS



SIZE	(B DIM)	C DIM ±.0050	(L DIM)
05	(.233)	.3085	(.100)
09	(.333)	.4085	(.200)
15	(.483)	.5585	(.350)
25	(.733)	.8085	(.600)
37	(1.033)	1.1085	(.900)
51	(1.383)	1.4585	(1.250)

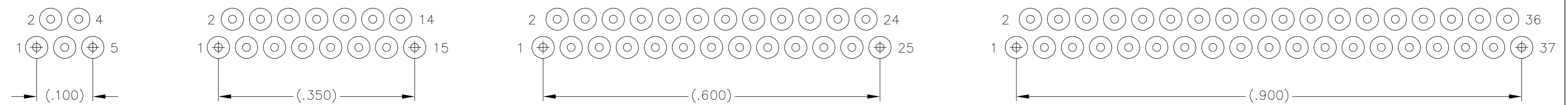


- 1. SHELL OPTIONS (TO BE SPECIFIED IN NANONICS PART NUMBER):  
 METAL: 6061-T6 ALUMINUM, ELECTROLESS NICKEL PLATED PER MIL-C-26074 (STANDARD) OR GOLD PLATED PER MIL-G-45204  
 303 STAINLESS STEEL, PASSIVATED PER SAE-AMS-QQ-P-35  
 INSULATOR MATERIAL FOR ALL METAL SHELLS IS LIQUID CRYSTAL POLYMER (LCP) PER MIL-M-24519 OR PER ASTM D5138  
 PLASTIC: LIQUID CRYSTAL POLYMER (LCP) PER MIL-M-24519 OR PER ASTM D5138
- 2. STANDARD 1.00UNM CAPTIVE JACKSCREWS ARE SHOWN FOR REFERENCE ONLY AND MUST BE SPECIFIED IN THE NANONICS PART NUMBER WHEN REQUIRED. JACKSCREW MATERIAL IS 303 STAINLESS STEEL, PASSIVATED PER SAE-AMS-QQ-P-35, AND DRY LUBED PER DOD-L-85645. RETAINING RING IS 17-4 STAINLESS STEEL, PASSIVATED PER SAE-AMS-QQ-P-35. JACKSCREWS HAVE A .9mm HEX SOCKET HEAD. 1.20UNM JACKSCREWS ALSO AVAILABLE.
- 3. LEAD MATERIAL: HH BRASS, TIN LEAD PLATED 60/40 COMPOSITION PER SAE-AMS-P-81728
- 4. INSULATOR BOARD MATERIAL: G10 OR EQUIVALENT
- 5. EPOXY ENCAPSULATION
- 6. NANONICS TERMINATION CODE: C5
- 7. THIS DRAWING PREVIOUSLY IDENTIFIED AS NANONICS N10138/127

THIS DRAWING IS A CONTROLLED DOCUMENT.		DWN D. RYAN 06-08-94	 Tyco Electronics Corporation Harrisburg, PA 17105																		
DIMENSIONS: INCHES		CHK E. BURGER 06-08-94																			
TOLERANCES UNLESS OTHERWISE SPECIFIED:		APVD M. STORRY 05-16-01	NAME PLUG ASSEMBLY, VERTICAL MOUNT, THROUGH HOLE, 1 TO 2 ROW, .050 SPACING, PLASTIC OR METAL																		
<table border="0"> <tr> <td>0 PLC</td><td>±</td><td>-</td></tr> <tr> <td>1 PLC</td><td>±</td><td>-</td></tr> <tr> <td>2 PLC</td><td>±</td><td>.010</td></tr> <tr> <td>3 PLC</td><td>±</td><td>.005</td></tr> <tr> <td>4 PLC</td><td>±</td><td>-</td></tr> <tr> <td>ANGLES</td><td></td><td>± 1°</td></tr> </table>		0 PLC	±	-	1 PLC	±	-	2 PLC	±	.010	3 PLC	±	.005	4 PLC	±	-	ANGLES		± 1°	PRODUCT SPEC APPLICATION SPEC	SIZE A2
0 PLC	±	-																			
1 PLC	±	-																			
2 PLC	±	.010																			
3 PLC	±	.005																			
4 PLC	±	-																			
ANGLES		± 1°																			
MATERIAL SEE NOTES		FINISH SEE NOTES	CAGE CODE 00779																		
CUSTOMER DRAWING		SCALE 8:1	DRAWING NO C=1589461																		
		SHEET 1	OF 2																		
		REV H	RESTRICTED TO -																		

THIS DRAWING IS UNPUBLISHED. RELEASED FOR PUBLICATION  
 © COPYRIGHT BY TYCO ELECTRONICS CORPORATION. ALL RIGHTS RESERVED.

LOC		DIST		REVISIONS			
P	LTR	DATE	DWN	APVD			
DF	DO						
	H	UPDATE PER 0H2Y-0164-04	05-12-04	JDM	MKS		

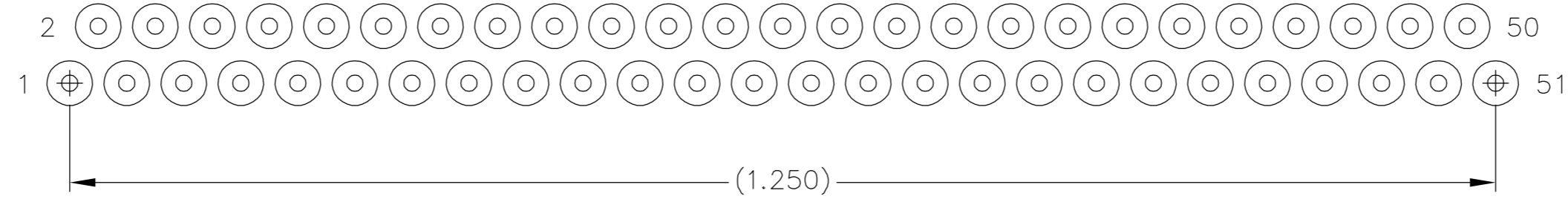


5 POSITION

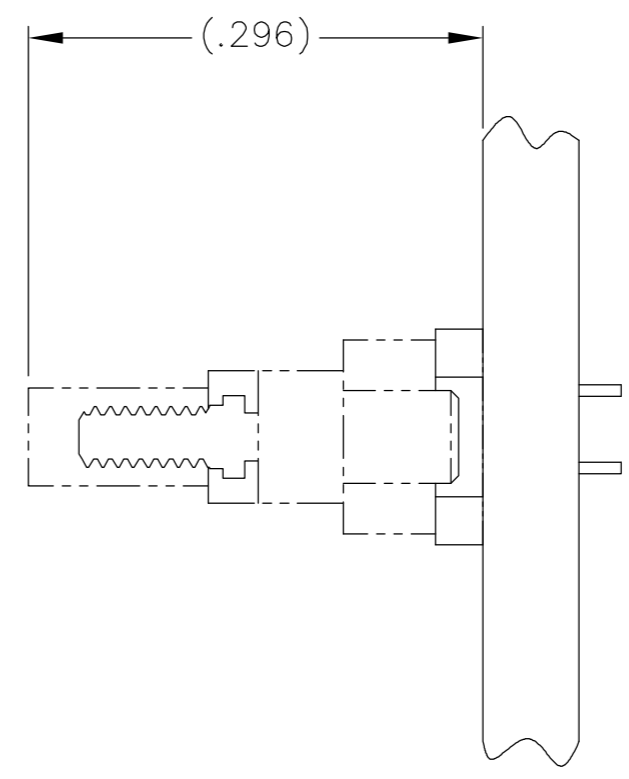
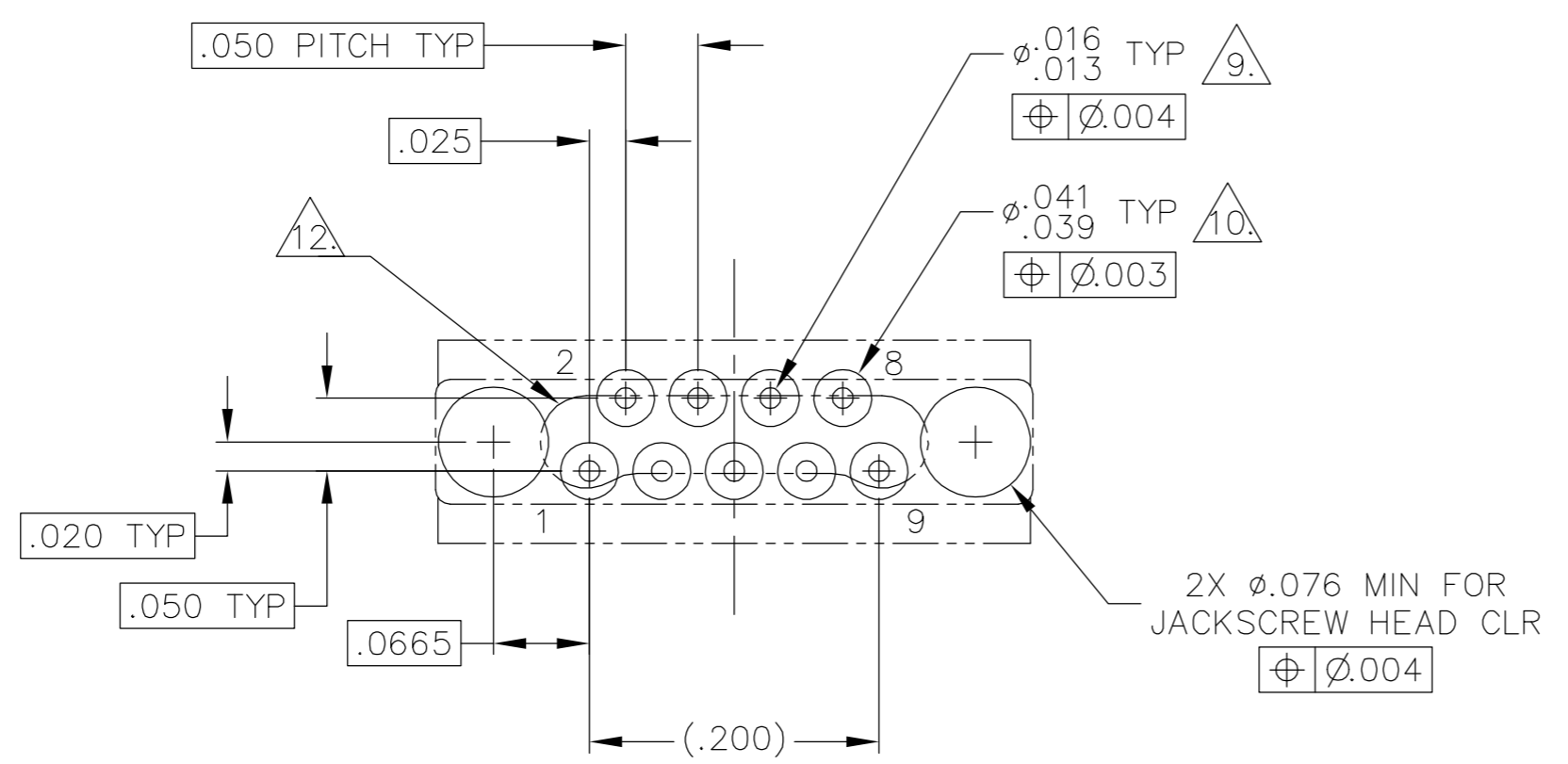
15 POSITION

25 POSITION

37 POSITION



51 POSITION



TYPICAL PCB LAYOUT <sup>8.</sup>  
 SIZE 09 SHOWN FOR REFERENCE

- <sup>8.</sup> POSITIONAL TOLERANCES FOR BASIC DIMENSIONED FEATURES ARE RELATIVE TO FIDUCIALS OR SOME SIMILAR DATUM REFERENCES DEFINED BY PCB DESIGNER.
- <sup>9.</sup> PLATED THROUGH HOLES
- <sup>10.</sup> SOLDER PADS
- 11. ALL THROUGH HOLE LAYOUTS ARE AS VIEWED FROM TOP OF PCB.
- <sup>12.</sup> CONNECTOR ORIENTATION

THIS DRAWING IS A CONTROLLED DOCUMENT.		DWN D. RYAN 06-08-94	 Tyco Electronics Corporation Harrisburg, PA 17105
DIMENSIONS: INCHES		CHK E. BURGER 06-08-94	
TOLERANCES UNLESS OTHERWISE SPECIFIED:		APVD M. STORRY 05-16-01	NAME
0 PLC ± - 1 PLC ± - 2 PLC ± .010 3 PLC ± .005 4 PLC ± - ANGLES ± 1° FINISH -		PRODUCT SPEC	PLUG ASSEMBLY, VERTICAL MOUNT, THROUGH HOLE, 1 TO 2 ROW, .050 SPACING, PLASTIC OR METAL
MATERIAL -		APPLICATION SPEC	RESTRICTED TO
		WEIGHT -	SIZE CAGE CODE DRAWING NO
		CUSTOMER DRAWING	A2 00779 C=1589461
		SCALE 8:1	SHEET 2 OF 2 REV H