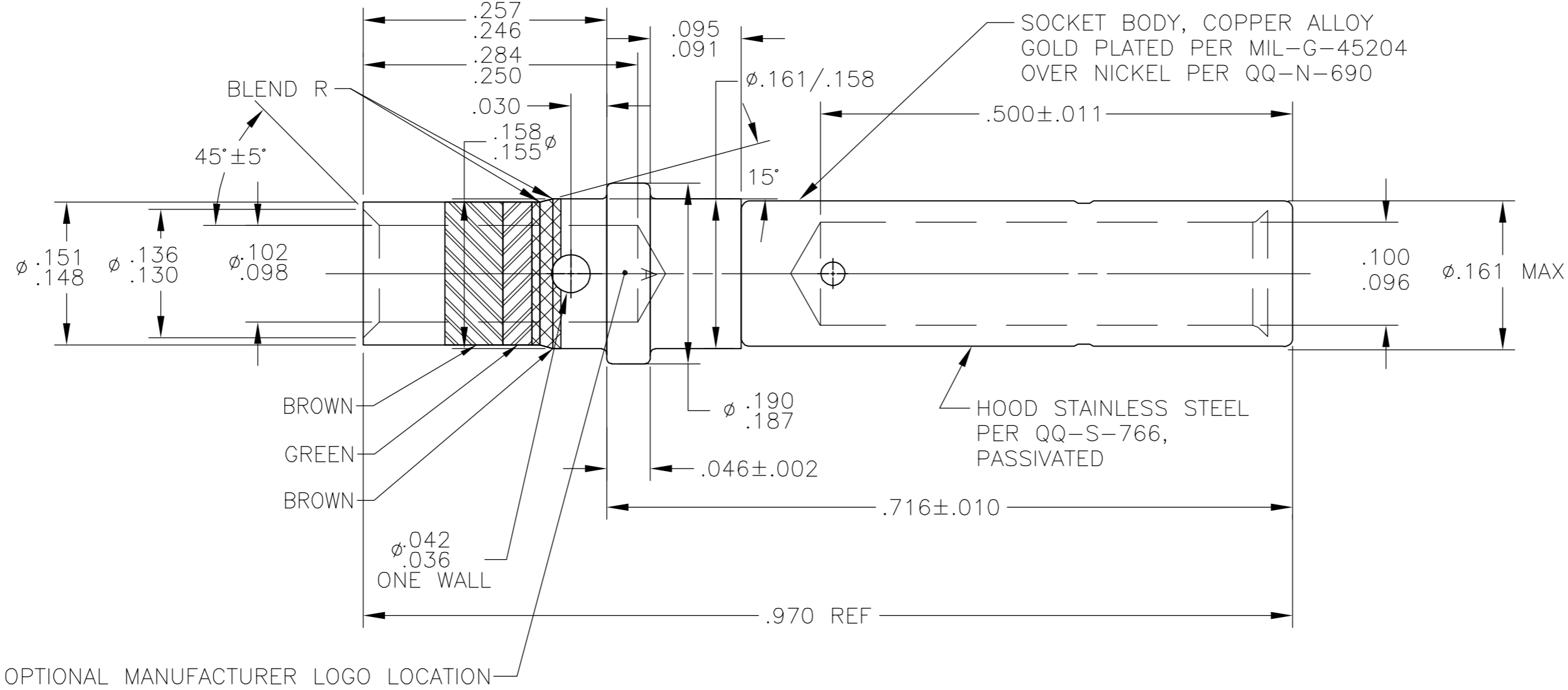


THIS DRAWING IS UNPUBLISHED. RELEASED FOR PUBLICATION
 © COPYRIGHT BY TYCO ELECTRONICS CORPORATION. ALL RIGHTS RESERVED.

LOC	DIST	REVISIONS					
DF	A5	P	LTR	DESCRIPTION	DATE	DWN	APVD
		L		REV PER EC OH14-0154-04	17JAN06	TK	CT

- 205851-2 1. AS SHOWN
- OBSOLETE 205851-3 1. SAME AS -2 EXCEPT
2. -
3. SINGLE YELLOW BAND
- OBSOLETE 205851-4 1. SAME AS -2 EXCEPT:
2. SOCKET BODY PLATED SILVER PER QQ-S-365.
3. CONFORMS TO THE REQUIREMENTS OF M39029/12-151.



1. POINT OF PLATING THICKNESS MEASUREMENT
 .100/.150 FROM WIRE BARREL END EXTERIOR

205851-1 1. SAME AS -2 EXCEPT:
 2. NOT COLOR CODED

THIS DRAWING IS A CONTROLLED DOCUMENT.		DWN C.C.THOMAS 10/14/98	Tyco Electronics Corporation Harrisburg, PA 17105-3608																			
DIMENSIONS: INCHES		CHK D.BELL 10/14/98																				
TOLERANCES UNLESS OTHERWISE SPECIFIED:		APVD D.BELL 10/14/98	NAME CONTACT ASSEMBLY, #12 SOCKET TYPE XVII-RM																			
<table border="0"> <tr><td>0 PLC</td><td>±</td><td>-</td></tr> <tr><td>1 PLC</td><td>±</td><td>-</td></tr> <tr><td>2 PLC</td><td>±</td><td>-</td></tr> <tr><td>3 PLC</td><td>±</td><td>-</td></tr> <tr><td>4 PLC</td><td>±</td><td>-</td></tr> <tr><td>ANGLES</td><td>±</td><td>-</td></tr> </table>		0 PLC	±	-	1 PLC	±	-	2 PLC	±	-	3 PLC	±	-	4 PLC	±	-	ANGLES	±	-	PRODUCT SPEC -	SIZE A2	CAGE CODE 00779
0 PLC	±	-																				
1 PLC	±	-																				
2 PLC	±	-																				
3 PLC	±	-																				
4 PLC	±	-																				
ANGLES	±	-																				
MATERIAL -		FINISH -	DRAWING NO C=205851	RESTRICTED TO -																		
		WEIGHT -	SCALE 8:1	SHEET 1 OF 1																		
		CUSTOMER DRAWING	REV L																			