

SPECIFICATIONS  
MAKE-BEFORE-BREAK

MATERIALS:  
 ACTUATOR- POM, UL94HB BLACK  
 TERMINAL BOARD- PHENOLIC LAMINATED SHEET, UL94HB, NATURAL  
 FRAME- STEEL, NICKEL PLATE  
 TERMINAL/FIXED CONTACT- COPPER ALLOY, GOLD OR SILVER OVER NICKEL PLATE  
 MOVING CONTACT- COPPER ALLOY, GOLD OR SILVER OVER NICKEL PLATE  
 DETENT BALL- STEEL  
 COIL SPRING- GALVANIZED SPRING WIRE  
 SEAL- EPOXY

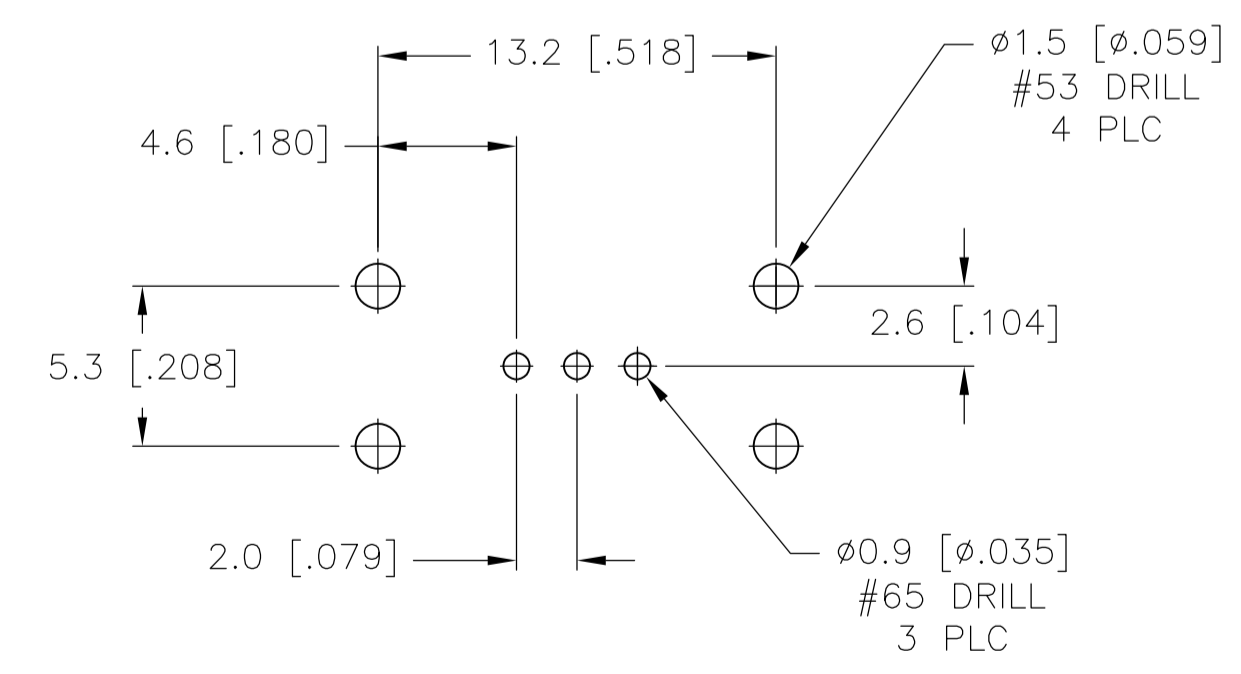
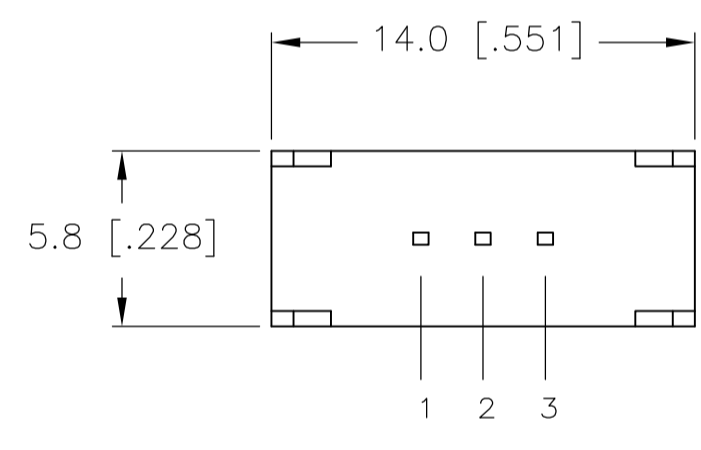
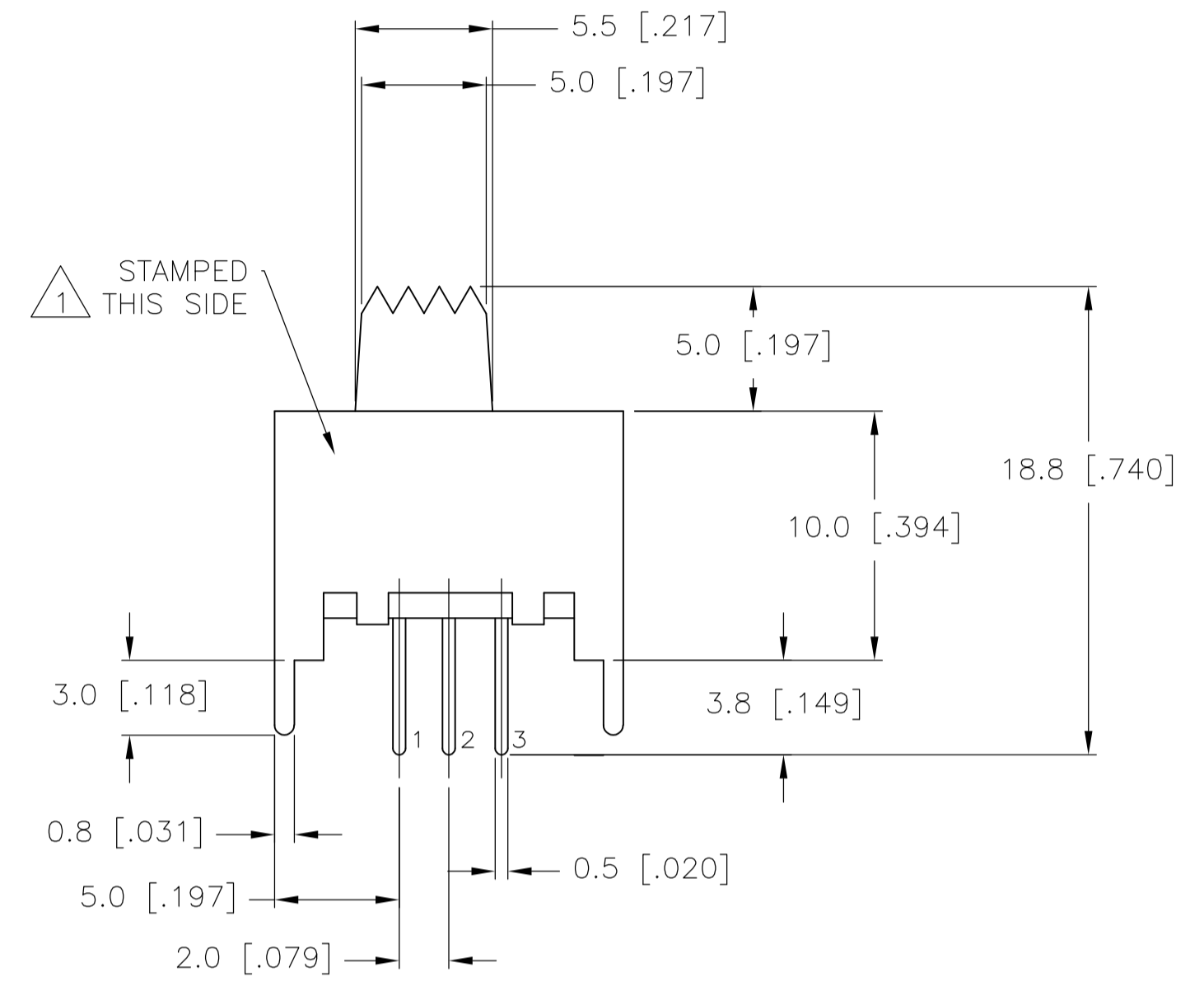
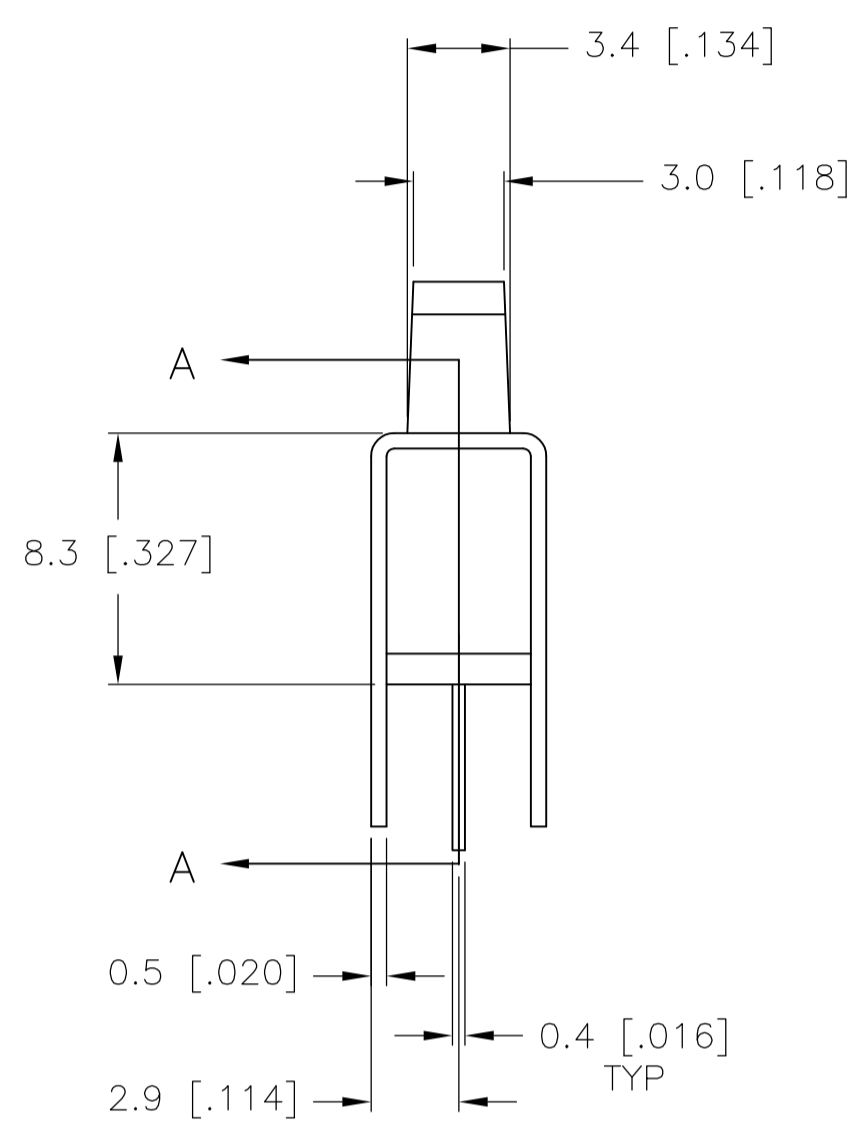
ELECTRICAL:  
 CONTACT RATING- .4VA@20VDC OR PEAK AC (GOLD); 300mA@125V AC (SILVER)  
 INITIAL CONTACT RESISTANCE- 30 milliohm max.  
 FINAL CONTACT RESISTANCE- 100 milliohm max. (AFTER TEST)  
 INSULATION RESISTANCE- 1,000 Megohms min.  
 DIELECTRIC STRENGTH- 500V RMS@SEA LEVEL  
 LIFE EXPECTANCY- 15,000 CYCLES MIN.

MECHANICAL:  
 ACTUATION FORCE- 600+/-300 GRAMS  
 TRAVEL- 2.0 +/- .50 (.079 +/- .020)

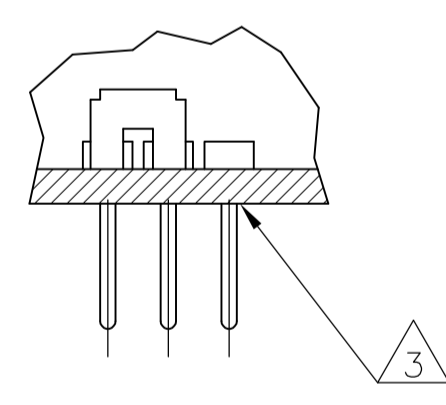
ENVIRONMENTAL:  
 OPERATING TEMPERATURE- -20 TO +85 DEGREES C  
 STORAGE TEMPERATURE- -40 TO +100 DEGREES C  
 RESISTANCE TO SOLDER HEAT PER 109-202, CONDITION B  
 SOLDERABILITY PER EIA-364-52, CLASS 2, CATEGORY 1, 95% MIN COVERAGE

NOTES:

- 1 COUNTRY OF ORIGIN AND TE CONNECTIVITY LOGO LOCATED APPROXIMATELY AS SHOWN
- 2 ALL MATERIALS AND FINISHES SHALL COMPLY WITH EU DIRECTIVE 2002/95/EC OF 27JAN2003 (ROHS)
- 3 ANTI SOLDER WICK SEAL AT TERMINAL TO BOARD INTERFACE
- 4 ALL PERFORMANCE TESTING WAS DONE IN ACCORDANCE TO TE CONNECTIVITY SPECIFICATION 102-2469



RECOMMENDED BOARD LAYOUT



SECTION A-A

|  |              |         |        |        |
|--|--------------|---------|--------|--------|
| 1825257-2  | MSS1200G04   | GOLD    | 2 TO 1 | 2 TO 3 |
| 1825257-1  | MSS120004    | SILVER  | 2 TO 1 | 2 TO 3 |
| PART NO.   | T&B PART NO. | PLATING |        |        |
| TERMINALS CONNECTED WHEN SLIDE IS IN POSITION SHOWN. |              |         |        |        |

|  |  |                      |  |        |
|--|--|----------------------|--|--------|
| THIS DRAWING IS A CONTROLLED DOCUMENT. |  | DIN R BROWN 20DEC05  | TE Connectivity                                |        |
| DIMENSIONS: mm                         |  | CHK M SARVER 20DEC05 |  |        |
| TOLERANCES UNLESS OTHERWISE SPECIFIED: |  | NAME                 | SLIDE SWITCH, MSS 1200 SERIES, SP-DT, VERTICAL |        |
| 0 PLC ± -                              |  | PRODUCT SPEC         | -  |        |
| 1 PLC ± 0.3 [.012]                     |  | APPLICATION SPEC     | -  |        |
| 2 PLC ± -                              |  | SIZE                 | A1   |        |
| 3 PLC ± -                              |  | WEIGHT               | -  |        |
| 4 PLC ± -                              |  | CAGE CODE            | 00779  |        |
| ANGLES ± ±                             |  | DRAWING NO           | 1825257  |        |
| MATERIAL -                             |  | FINISH -             | SCALE  | 4:1    |
|  |  | CUSTOMER DRAWING     | SHEET  | 1 OF 1 |
|  |  |                      | REV  | A2     |