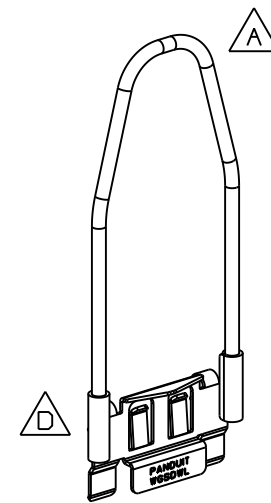
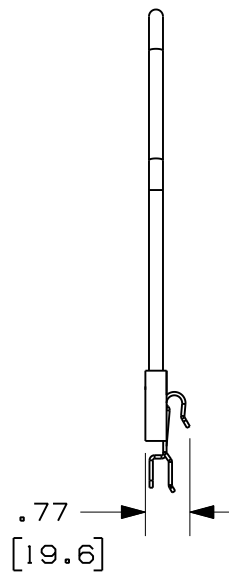
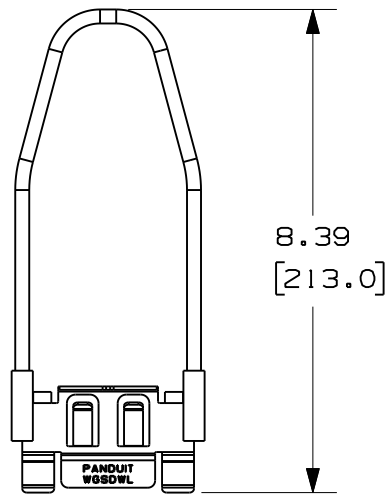
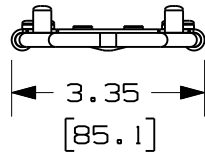


THIS COPY IS PROVIDED ON A RESTRICTED BASIS AND IS NOT TO BE USED IN ANY WAY DETRIMENTAL TO THE INTERESTS OF PANDUIT CORP.

PANDUIT PART NUMBER	WEIGHT
WGSDWL6	.35 LB/EACH 158.8 g/EACH

NOTES:

1. SEE CURRENT CATALOG FOR ADDITIONAL PART SUFFIXES TO INDICATE PART FINISH AND/OR PACKAGING QUANTITY.
2. DIMENSIONS IN PARENTHESIS ARE METRIC.



CAD FILENAME/LAYERS 09D017DT_DC/01A WGSDWL6

PANDUIT CORP. TINLEY PARK, ILLINOIS

B WYR-GRID CABLE TRAY
6" SIDE WALL (WGSDWL6)
CUSTOMER DRAWING

--	---	--	--	RELEASED TO PRODUCTION	09D017DT-DC	RN	RN				
3	8-13-10	JAHA	SL	D. REVISED PART GEOMETRY							
2	5-17-10	JAHA	SL	C. REVISED TOLERANCE B. REVISED PART NAME						C	
1	5-13-10	JAHA	SL	A. REMOVED CHAMFER FROM WIRE FORM							
R	5-5-10	JAHA	SL	DRAWING RELEASED							
REV	DATE	BY	CHK	DESCRIPTION	ECN	CHK	CUST	SUP			

UNLESS OTHERWISE SPECIFIED, DIMENSIONAL TOLERANCES ARE: (.X) ± .05 (1.3) ANGLES ±		UNLESS OTHERWISE SPECIFIED, ALL DIMENSIONS ARE GIVEN IN INCHES, THIRD ANGLE PROJECTION.	
DRAWN BY JAHA	MAT'L:	SCALE NONE	DWG A
DATE 5-5-10	SEE NOTES ABOVE	DRAWING NO. 09D017DT-DC	SIZE A
CHK'D SL			