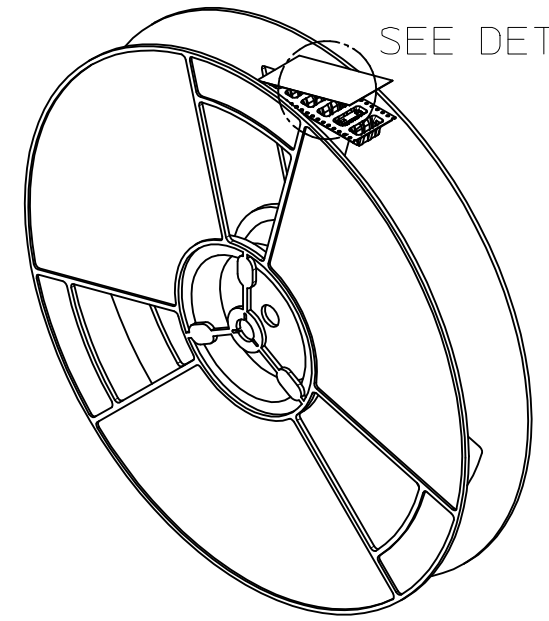
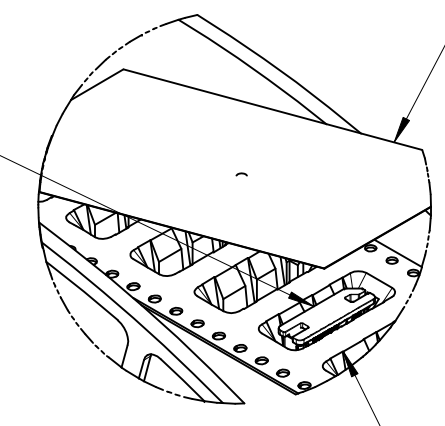


LOADED REELS (QTY 4)
SEE SHEET 2 FOR P/N'S



SEE DETAIL 2

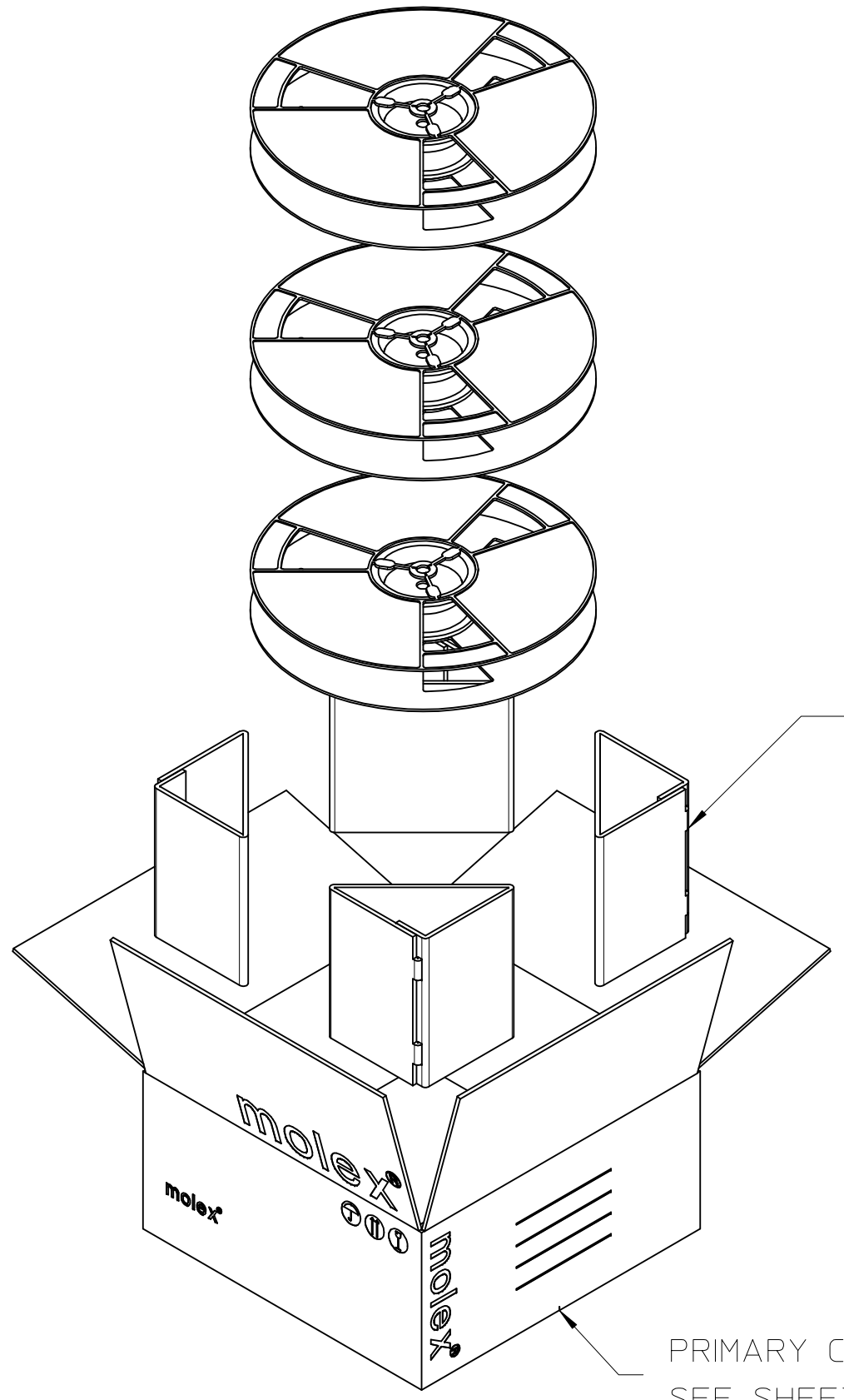
NANOPITCH CONNECTOR
SEE SHEET 2 FOR P/N'S



DETAIL 2
SCALE 1:1

COVER TAPE
SEE SHEET 2 FOR P/N'S

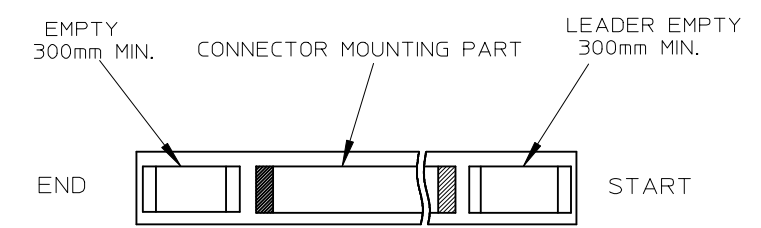
CARRIER TAPE
SEE SHEET 2 FOR P/N'S



CARD BOARD SPACER (QTY 4)
SEE SHEET 2 FOR P/N'S

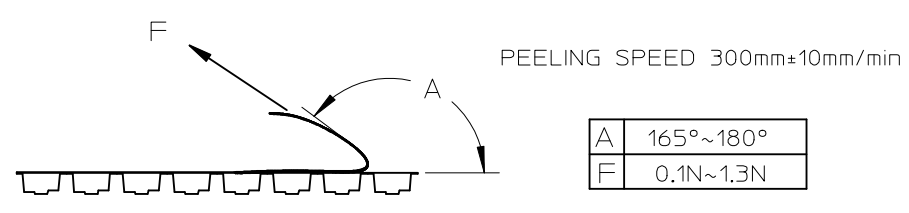
PRIMARY CARTON (QTY 1)
SEE SHEET 2 FOR P/N'S

USER DIRECTION OF FEED



USER DIRECTION OF FEED

Cover Tape peeling force



NOTES:

- PACKAGING MATERIALS:
CARRIER TAPE - CLEAR POLYSTYRENE
COVER TAPE - TRANSPARENT POLYETHYLENE
REEL - WHITE HIGH IMPACT POLYSTYRENE
SPACERS & CARTON - CORRUGATED FIBERBOARD
- REFER TO EIA STANDARDS 481-D FOR ALL ITMES NOT COVERED BY THIS PACKAGING SPECIFICATION.
- COVER TAPE MUST NOT EXTEND OVER THE EDGES OF THE EMBOSSED CARRIER TAPE OR COVER ANY PART OF THE SPROCKET HOLES.
- ADJACENT LAYERS OF TAPE MUST NOT STICK TOGETHER WHEN BEING UNWOUND FROM THE CARRIER REEL.
- THE COVER TAPE MUST BE SEALED TO THE EMBOSSED CARRIER TAPE BY USING PRESSURE AND HEAT TO SECURELY ATTACH THE TWO. REFER TO NOTE 9.
- EACH REEL MUST HAVE A LABEL AFFIXED WITH THE FOLLOWING INFORMATION: MOLEX PART NUMBER, QUANTITY, AND DATE CODE.
- COMPONENT PACKAGING MATERIALS (COVER TAPE, EMBOSSED CARRIER TAPE, AND CARRIER REEL) ARE STATIC DISSIPATIVE.
- ABSOLUTELY NO TAPE SPLICES ARE PERMITTED ON FINISHED REELS.
- THE COVER TAPE MUST HAVE A PEEL STRENGTH BETWEEN 10 AND 130 GRAMS WHEN PULLED OPPOSITE THE DIRECTION OF CARRIER TAPE TRAVEL SUCH THAT THE COVER TAPE MAKES AN ANGLE OF 165° TO 180° AS SHOWN IN DETAIL.
- PACKAGING INTO CARTON:
-BOTTOM OF CARTON TO HAVE LONG FLAPS SEALED WITH 2" WIDE CLEAR ADHESIVE TAPE EXTENDING 2" MINIMUM UP EACH END OF CARTON.
-INSERT PROTECTIVE REEL INSERT INTO CARTON
-LOAD REELS AND SPACERS AS SHOWN
-CLOSE FLAPS AND SEAL LONG FLAPS WITH 2" WIDE ADHESIVE TAPE WITH TAPE EXTENDING 2" MINIMUM DOWN EACH END OF CARTON.
-ADD REQUIRED LABELS TO CARTON.

UPDATE TABLE EC NO: UCP2017-1371 TDRWN:SVANG01 2016/12/07 CHKD:MJANTELEZ10 2016/12/07 APPR:SMILLER 2016/12/21	QUALITY SYMBOLS	GENERAL TOLERANCES (UNLESS SPECIFIED)		DIMENSION STYLE MM ONLY		SCALE 1:6	DESIGN UNITS METRIC	THIRD ANGLE PROJECTION	
	$\nabla \text{A} = 0$ $\nabla \text{E} = 0$ $\nabla \text{F} = 0$	mm	INCH	DRAWN BY BJANOWIAK	DATE 2015/05/14	TITLE PACKAGING SPECIFICATION NANOPITCH I/O			
		4 PLACES ± ---	± ---	CHECKED BY	DATE	APPROVED BY MBANAKIS DATE 2015/07/21			
		3 PLACES ± 0.13	± ---						
	2 PLACES ± 0.25	± ---	APPROVED BY		MATERIAL NO. SEE CHART				
	1 PLACE ± ---	± ---	DATE						
	0 PLACE ± ---	± ---	MATERIAL NO.		DOCUMENT NO. PK-173307-0001				
DRAFT WHERE APPLICABLE MUST REMAIN WITHIN DIMENSIONS		ANGULAR ±1/2°		SIZE C		SHEET NO. 1 OF 2			
THIS DRAWING CONTAINS INFORMATION THAT IS PROPRIETARY TO MOLEX INCORPORATED AND SHOULD NOT BE USED WITHOUT WRITTEN PERMISSION									

PART NUMBER	DESCRIPTION	CIRCUIT SIZE	PARTS PER REEL	PARTS PER CARTON	EMBOSSED CARRIER TAPE	CARRIER TAPE DRAWING	COVER TAPE NUMBER	REEL NUMBER	SPACER	CARTON
171983-0142	VERT FIXED SMT	42	500	2000	173307-0001	PK-173307-0011	89499-0122	88596-0355	88596-0835	88596-0363
171983-2042	VERTICAL FIXED TH	42	490	1960	173307-0002	PK-173307-0012	89499-0122	88596-0355	88596-0835	88596-0363
171983-2342	VERTICAL FIXED TH - NATURAL	42	490	1960	173307-0002	PK-173307-0012	89499-0122	88596-0355	88596-0835	88596-0363
171982-0142	RA FIXED SMT	42	700	2800	173307-0005	PK-173307-0005	89499-0122	88596-0355	88596-0835	88596-0363
171982-1142	RA FIXED TH SMT	42	450	1800	173307-0006	PK-173307-0006	89499-0121	88596-0355	88596-0835	88596-0363
172154-0142	STRAD FREE HSG	42	700	4200	173307-0009	PK-173307-0009	88596-1747	88569-0353	88596-0835	88596-0363
172470-0042	VERT FREE HSG	42	650	3250	70180-3015	PK-173307-0023	89499-0121	88596-0354	88596-0835	88596-0363
171983-3042	VERT FIXED SMT XD	42	330	1320	173307-0022	PK-173307-0022	89499-0122	88569-0355	88596-0835	88596-0363
173162-0131	RA FIXED SMT	80	700	2100	173307-0007	PK-173307-0007	89499-0123	88596-0356	88596-0833	88596-0363
173162-0132	RA FIXED TH SMT	80	450	1350	173307-0008	PK-173307-0008	89499-0123	88596-0356	88596-0833	88596-0363
173162-0338	VERT FIXED SMT XD	80	330	990	173307-0023	PK-173307-0023	88596-0123	88596-0356	88596-0833	88596-0363
173162-0332	VERTICAL FIXED TH	80	530	2120	173307-0004	PK-173307-0004	88596-0123	88596-0356	88596-0833	88596-0363
173162-0333	VERT FIXED SMT	80	500	1500	173307-0003	PK-173307-0013	88596-0123	88596-0356	88596-0833	88596-0363
173162-0334	VERTICAL FIXED TH	80	450	1350	173307-0004	PK-173307-0004	88596-0123	88596-0356	88596-0833	88596-0363

SEE SHEET 1 EC NO: UCP2017-1371 DRWN: SVANG01 2016/12/07 CHKD: M.JANREI@ZHO APPR: SMILLER	QUALITY SYMBOLS	GENERAL TOLERANCES (UNLESS SPECIFIED)		DIMENSION STYLE MM ONLY		SCALE 2:1	DESIGN UNITS METRIC	THIRD ANGLE PROJECTION		
				mm	INCH	DRAWN BY BJANOWIAK	DATE 2015/05/14	TITLE PACKAGING SPECIFICATION NANOPITCH I/O		
		4 PLACES	± ---	± ---	CHECKED BY	DATE				
		3 PLACES	± ---	± ---						
		2 PLACES	± 0.13	± ---						
1 PLACE	± 0.25	± ---	APPROVED BY MBANAKIS	DATE 2015/07/21						
0 PLACE	± ---	± ---								
		ANGULAR ±1/2°		MATERIAL NO.		DOCUMENT NO.		SHEET NO.		
		DRAFT WHERE APPLICABLE MUST REMAIN WITHIN DIMENSIONS		SEE CHART		PK-173307-0001		2 OF 2		
				THIS DRAWING CONTAINS INFORMATION THAT IS PROPRIETARY TO MOLEX INCORPORATED AND SHOULD NOT BE USED WITHOUT WRITTEN PERMISSION						