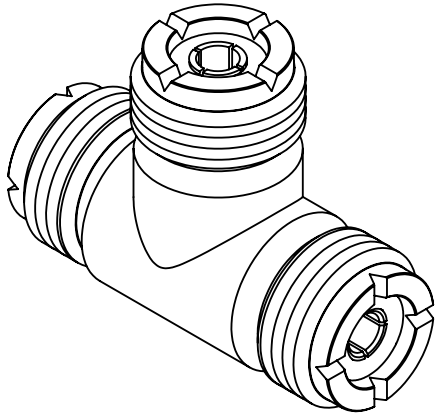
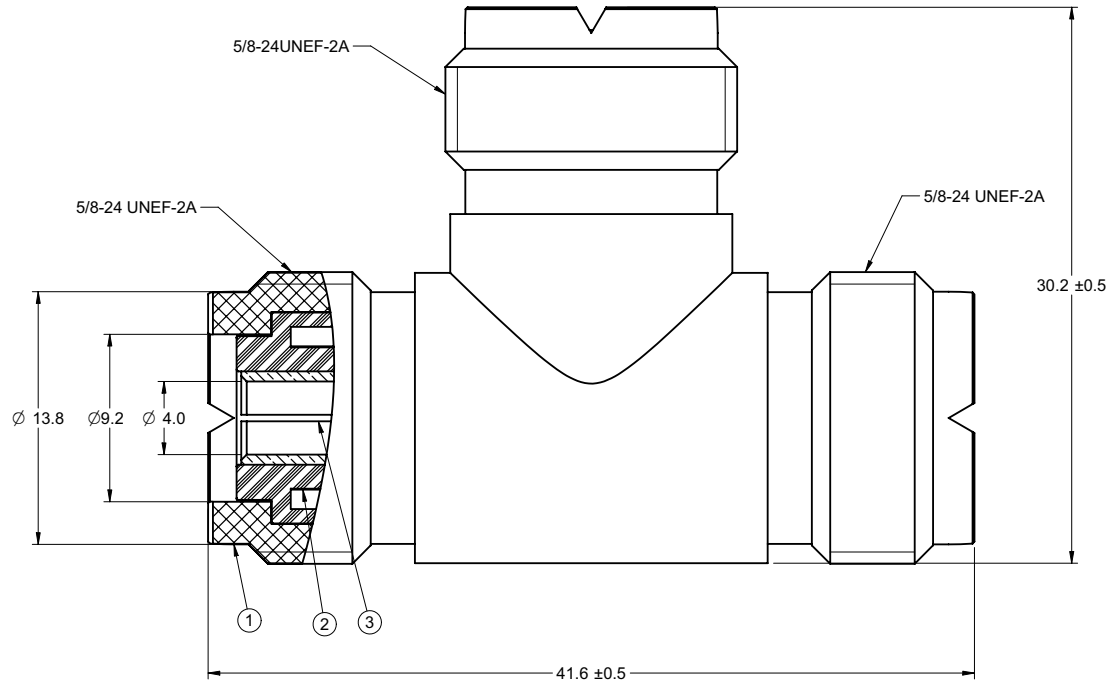


PART NUMBER	ITEM ① BODY	ITEM ② INSULATOR	ITEM ③ CONTACT
CP-AD210	ZINC NICKEL PLATED	DELIRIN	BRASS NICKEL PLATED

受控 CONTROLLED DOCUMENT					
编号 P/N	CP-AD210	版本 Rev	0B	日期 Rel'd Date	Mar 24,08

DRAWING NO. CP-AD210	
REVISIONS	
RELEASE FOR QUATION	
A	03-20-06 W Y T
CHANGE OVERALL LENGTH & HEIGHT TOL. TO ±0.5	
B	12-27-06 Z L T
<small>Thomas Chow 2007.01.15 121024-01010</small>	



- NOTES:
- ELECTRICAL SPECIFICATIONS
 IMPEDANCE: NON-CONSTANT
 FREQUENCY RANGE: 0-500 MHz
 WORKING VOLTAGE: 500 Vrms MAX AT SEA LEVEL
 DIELECTRIC WITHSTANDING VOLTAGE: 1500 vrms AT SEA LEVEL
 INSULATION RESISTANCE: 5000 MEGOHMS MINIMUM
 - MECHANICAL SPECIFICATIONS
 DURABILITY: 500 CYCLES MIN
 - ENVIRONMENTAL SPECIFICATIONS
 RECOMMENDED TEMPERATURE RANGE: -55 °C TO +85 °C
 MOISTURE RESISTANCE: MIL-STD-202
 - PRODUCT SHOULD BE RoHS COMPLIANCE.
 - PACKAGING REQUIREMENT FOLLOWS ENGINEERING DOCUMENT P/N 836-40200001XX

THIS DRAWING TO BE INTERPRETED
 PER ANSI Y 14.5M - 1994
COMPANY CONFIDENTIAL

TOLERANCE UNLESS OTHERWISE SPECIFIED		DRAWN BY GARY.ZHG		DATE 12-27-06	
DECIMALS	mm	CHECKED BY LINDA.WU		DATE 12-27-06	
X	± 0.5	APPROVED BY THOMAS		DATE 12-27-06	
X.X	± 0.2	U/M		mm	
X.XX	± 0.1				
ANGLES	± 0.5°				

TITLE UHF 3 FEMALE T ADAPTER		
SHEET 1 OF 2	DRAWING NO. CP-AD210	SIZE C

THIS DRAWING WAS PRODUCED BY COMPUTER,
 DO NOT SCALE DRAWING OR UPDATE MANUALLY.