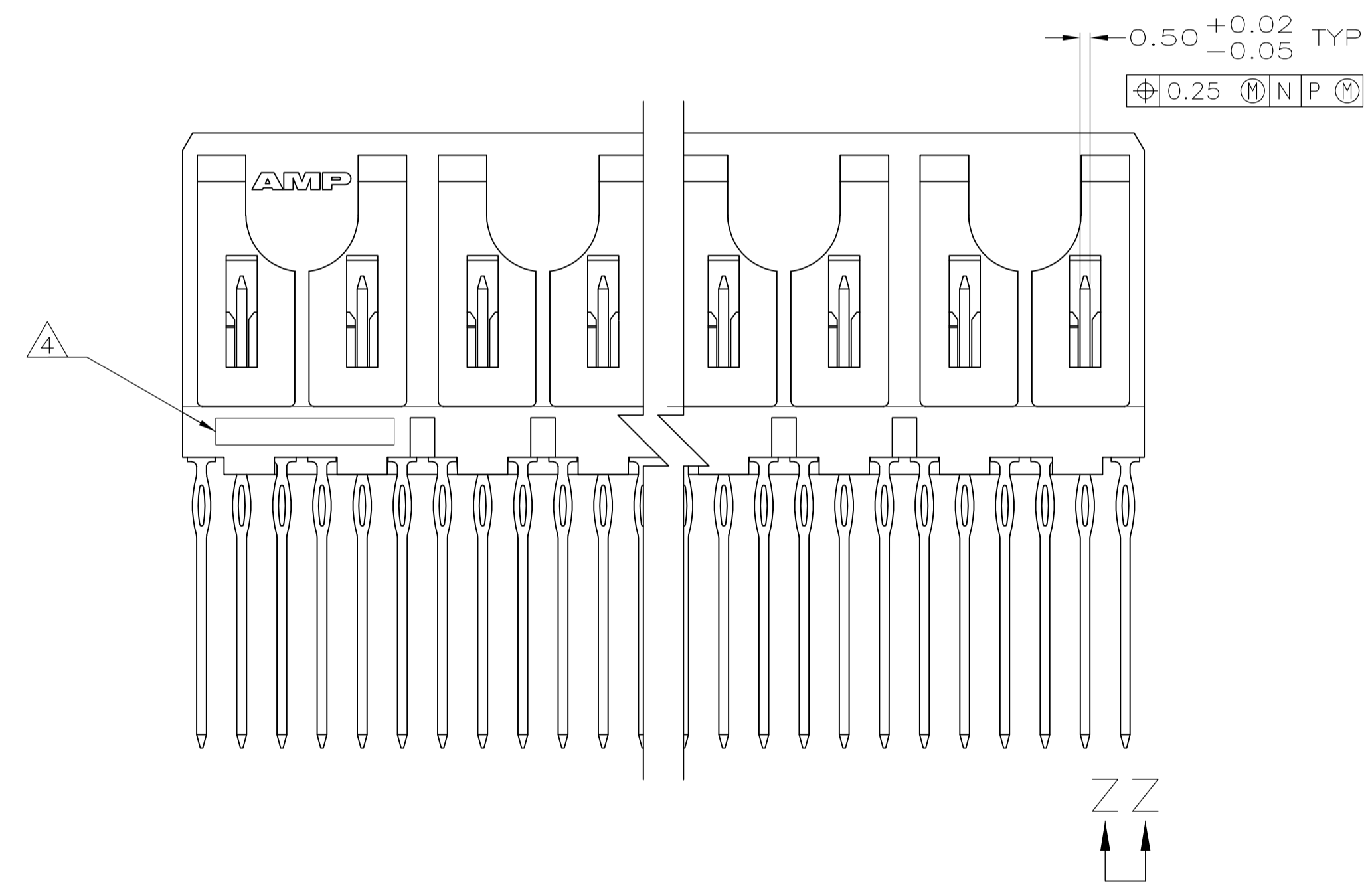
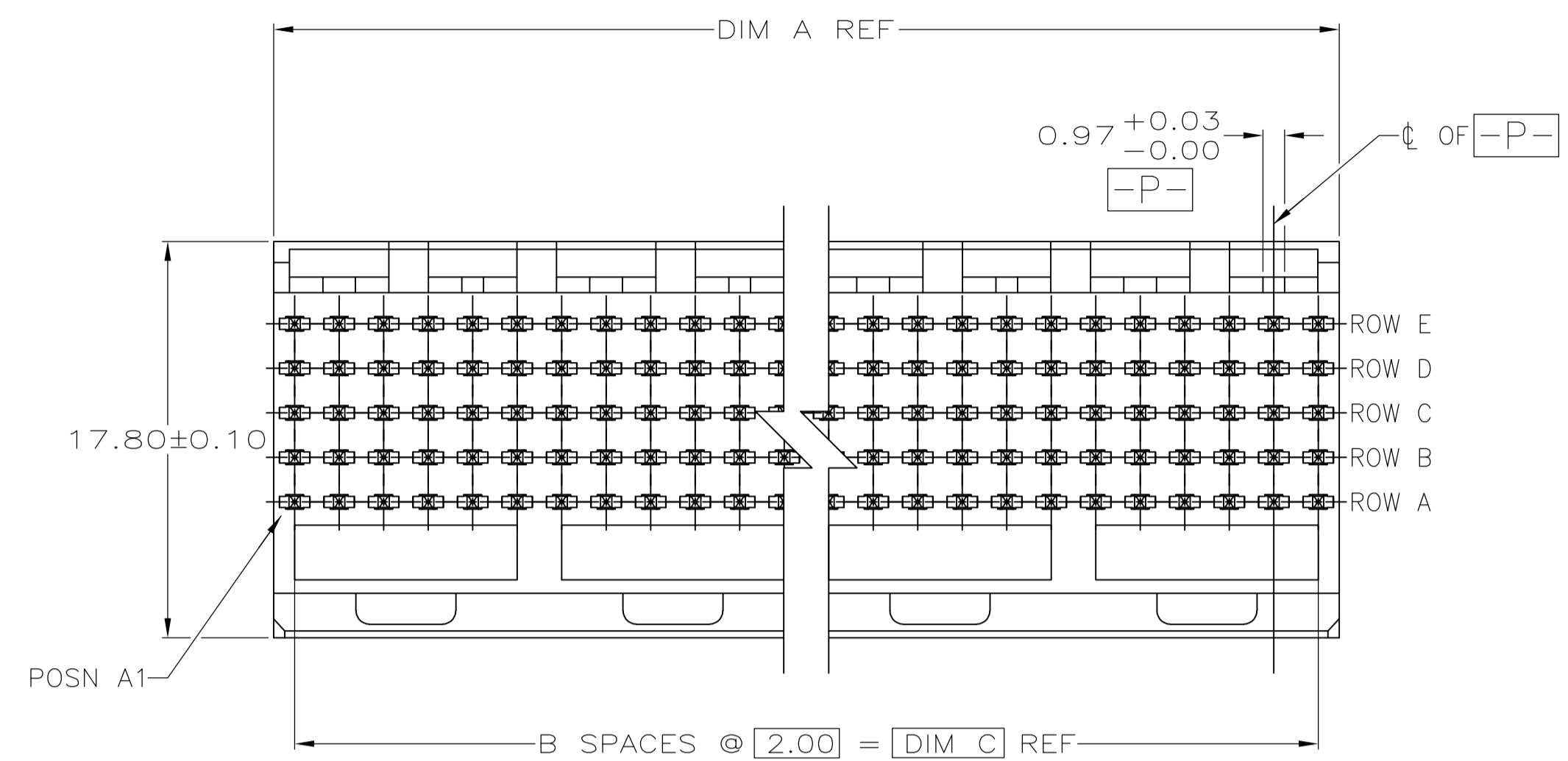
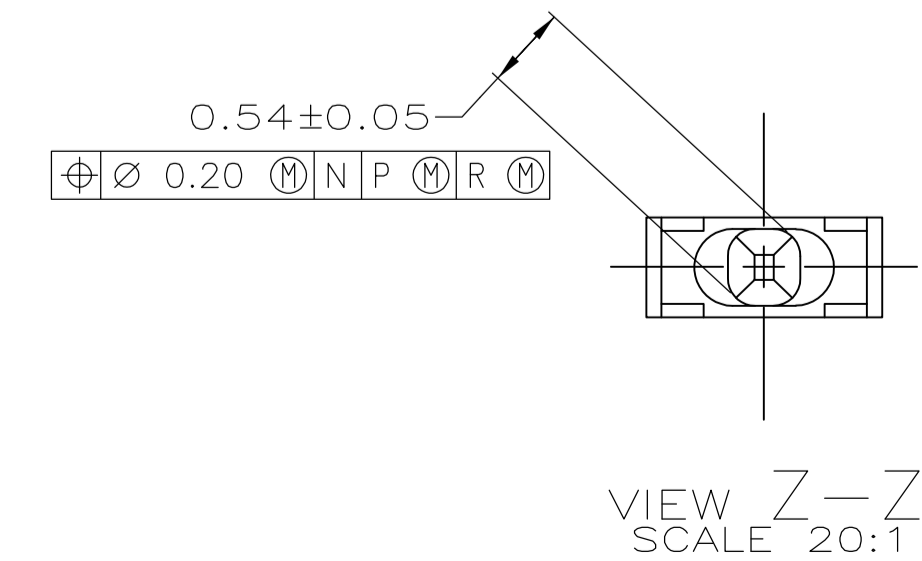
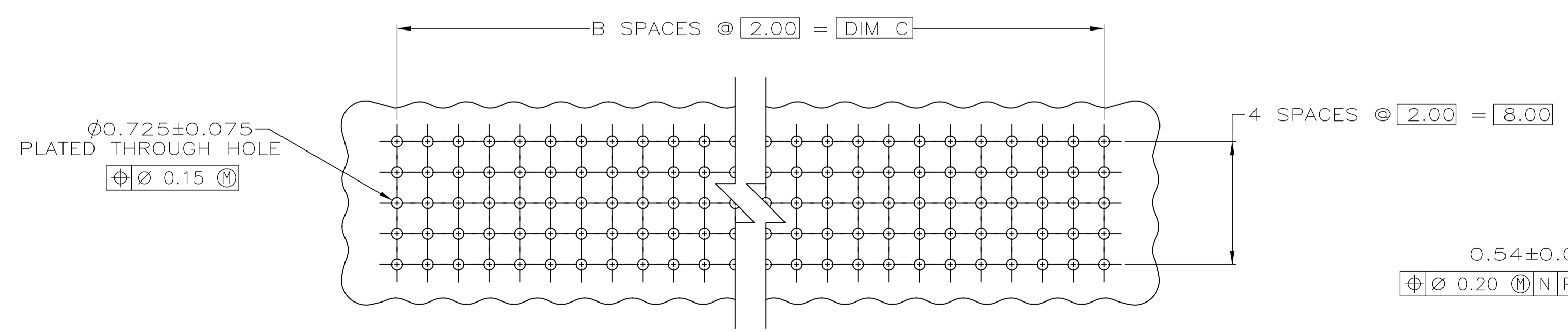
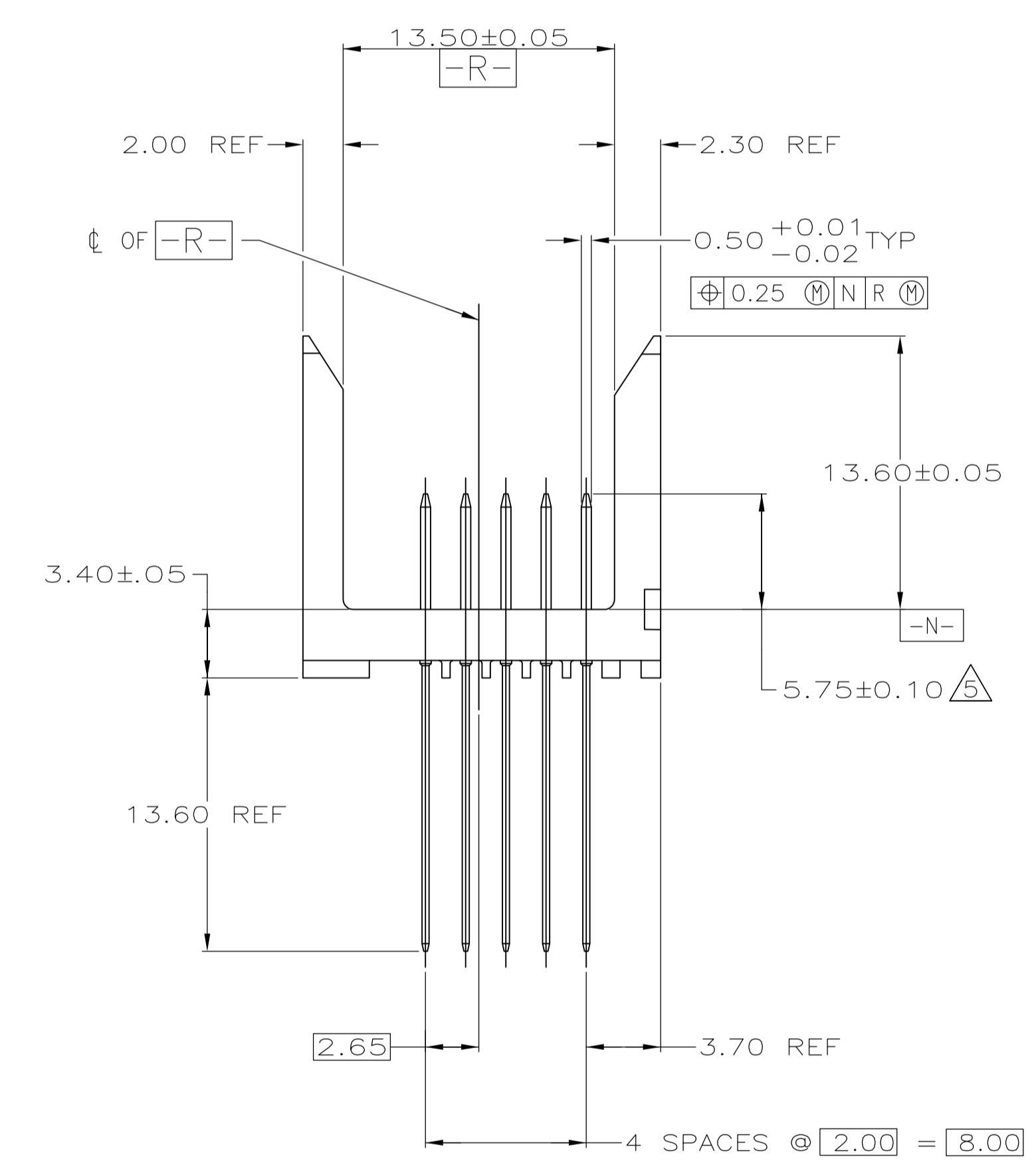


REVISONS		DATE	BY	APPV
0	RELEASED PER EC 0512-0317-04	13DEC04	BM	RW
01	REVISED PER ECO-09-024606	30OCT09	KK	AEG



- △ HOUSING MATERIAL: LIQUID CRYSTAL POLYMER. COLOR: NATURAL.
- △ CONTACT MATERIAL: PHOSPHOR BRONZE.
- △ CONTACT FINISH:(B)
UNDERPLATE (ENTIRE CONTACT):
0.00127 MIN NICKEL PER SAE-AMS-QQ-N-290
ON MATING SURFACES:
CONFORMS TO ALL TESTING SPECIFIED FOR TELCORDIA UNCONTROLLED ENVIRONMENT.
ON LEADS:
0.0006 MIN MATTE TIN PER ASTM B 545 OVER UNDERPLATE.
LUBRICATION (MIN MATING SURFACES):
SURFACE CONDITIONER AFTER PLATING.
- △ PART MARKING PER AMP INCORPORATED SPECIFICATION 115-9009, LOCATED APPROXIMATELY AS SHOWN.
- △ DIMENSION APPLIES WHEN SEATED ON PRINTED CIRCUIT BOARD.
- △ OBSOLETE PARTS: OBSOLETE CIS STREAMLINING PER D.RENAUD/D.SINISI



DIM C	B	DIM A	FINISH	NUMBER OF SIGNAL POSITIONS	PART NUMBER
94.00	47	95.88	△	240	5223070-8
58.00	29	59.88	△	150	5223070-5
46.00	23	47.88	△	120	5223070-4
22.00	11	23.88	△	60	5223070-2
10.00	5	11.88	△	30	5223070-1

THIS DRAWING IS A CONTROLLED DOCUMENT.

DIMENSIONS: mm	TOLERANCES UNLESS OTHERWISE SPECIFIED:	0 PLC ± -	1 PLC ± -	2 PLC ± 0.13	3 PLC ± -	4 PLC ± -	ANGLES ± -
----------------	--	-----------	-----------	--------------	-----------	-----------	------------

MATERIAL: △ △ △ FINISH: △

APPROVED: R. WERTZ	DATE: 13DEC04	BY: R. WERTZ	DATE: 13DEC04
DESIGNED: R. WERTZ	DATE: 13DEC04	BY: R. WERTZ	DATE: 13DEC04

NAME: PIN ASSY. SIGNAL MODULE, Z-PACK 2mm FB, 5 ROW, FULLY LOADED WITH PRESS FIT LEADS

SIZE: A1 CAGE CODE: 00779 DRAWING NO: 5223070

CUSTOMER DRAWING SCALE: 1:1 SHEET: 1 OF 1 REV: 01