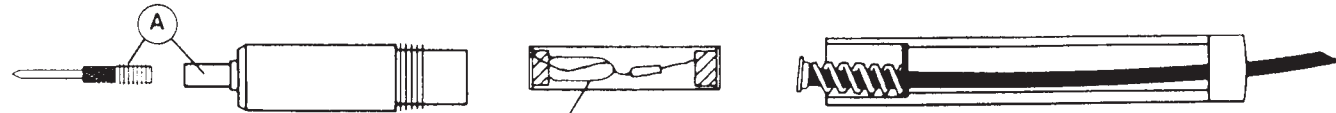


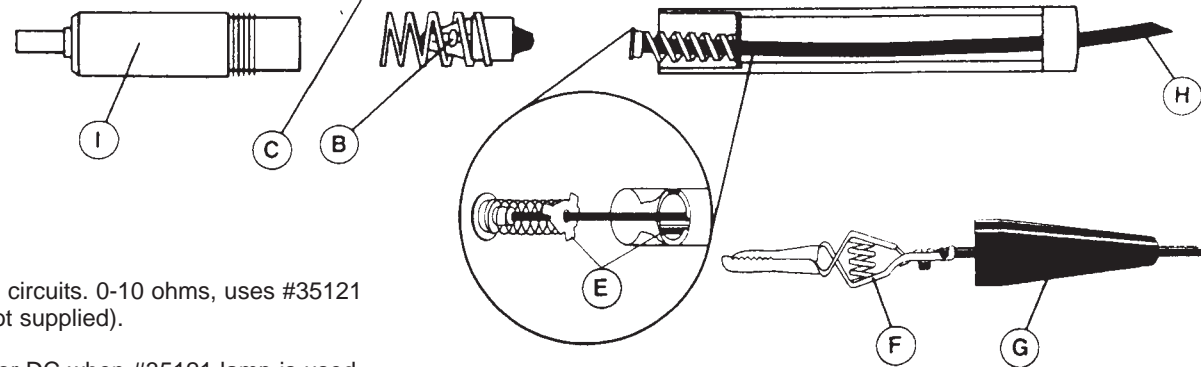
MODE 1



MODE 2



MODE 3



MODE 1 Continuity tester for unpowered circuits. 0-10 ohms, uses #35121 lamp with two AAA batteries (not supplied).

MODE 2 Voltage tester 60-600 volts AC or DC when #35121 lamp is used without batteries.

MODE 3 Voltage tester 0-60 volts AC or DC when various lamps are used without batteries.

A. Probe tip is included. Item 00100 will also used any tip with 10-32 thread.

B. #35121 3 volt lamp is included for use in Mode 1 and Mode 3. Operates from 2 to 3 volts in Mode 3.

C. Gas lamp 60-600 volts for Mode 2 operation (included).

D. Two AAA batteries for use in Mode 1 (not supplied).

E. Three point washer rides on internal steps in handle. Slides to lower position for Mode 1, upper position for Modes 2 and 3.

F. The other end of the 3 foot wire lead is terminated with a #85 Mueller ground clip.

G. Black insulator over clip for high voltage applications.

H. Wire is 3' long, high flex 105 strand copper, with black PVC insulated jacket.

I. Clear butyrate "window" allows 360 view of indicator light at tip.



Made in America

Tester, Continuity & Voltage Circuitracer®

MENDA

3651 WALNUT AVE., CHINO, CA 91710
PHONE: (909) 627-2453 • FAX: (951) 755-8848
WEBSITE: MendaPump.com

DRAWING NUMBER
35100

DATE:
October
2007