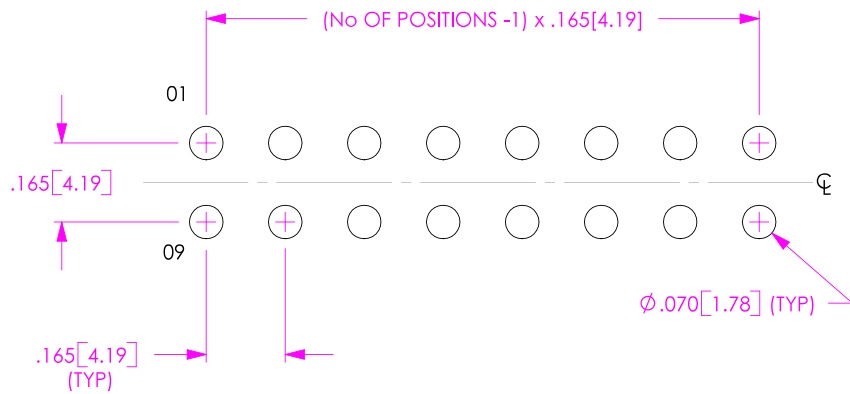


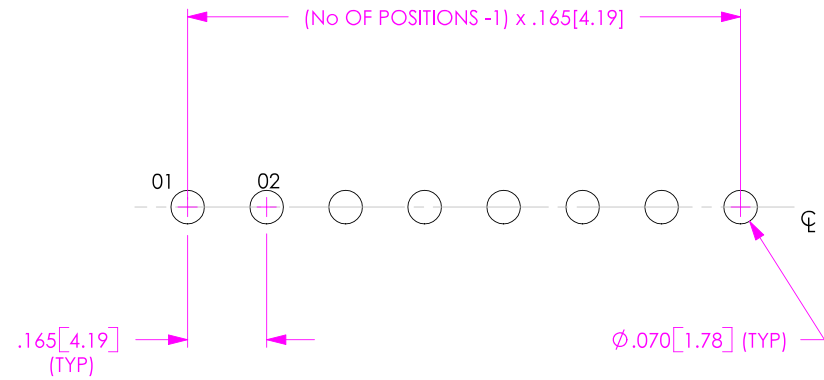
DOUBLE ROW

LAYOUT SHOWN FOR IPBT-108-H1-X-D



SINGLE ROW

* NOT RELEASED FOR PRODUCTION
(LAYOUT SHOWN FOR IPBT-108-H1-X-S)



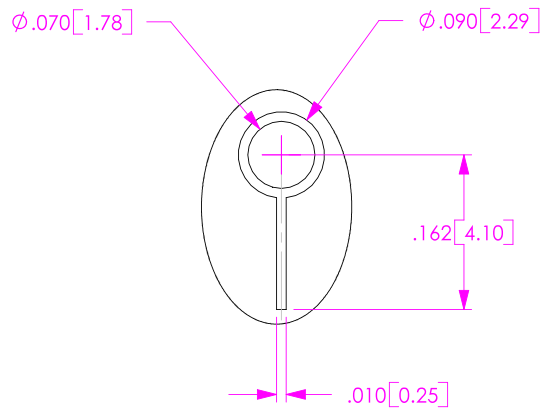
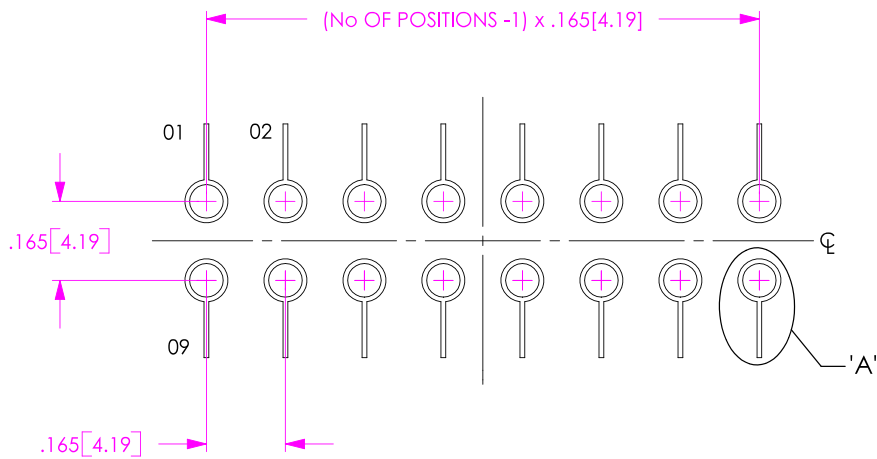
PROPRIETARY NOTE

THIS DOCUMENT CONTAINS INFORMATION CONFIDENTIAL AND PROPRIETARY TO SAMTEC, INC. AND SHALL NOT BE REPRODUCED OR TRANSFERRED TO OTHER DOCUMENTS OR DISCLOSED TO OTHERS OR USED FOR ANY PURPOSE OTHER THAN THAT WHICH IT WAS OBTAINED WITHOUT THE EXPRESSED WRITTEN CONSENT OF SAMTEC, INC.

SAMTEC

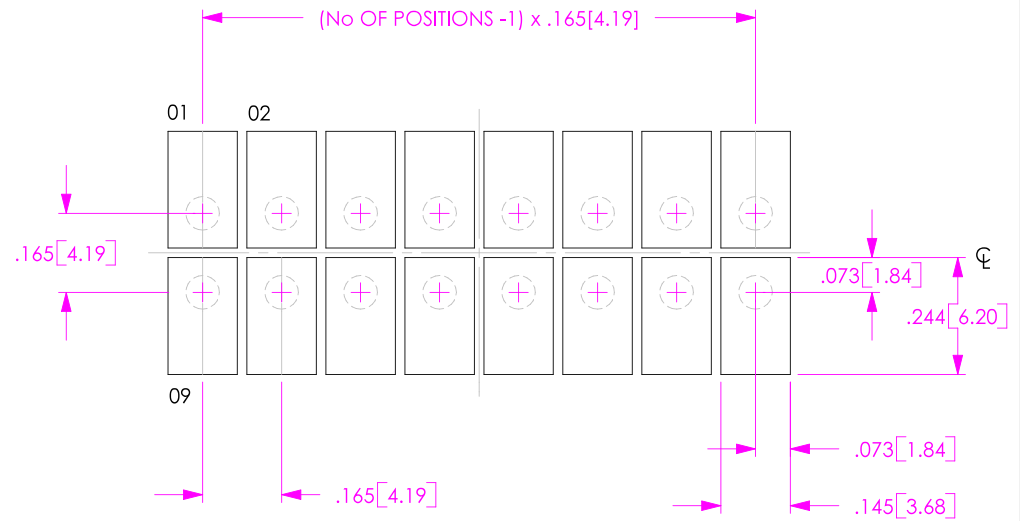
520 PARK EAST BLVD, NEW ALBANY, IN 47150
PHONE: 812.944.6733 FAX: 812.948.5047
e-Mail: INFO@SAMTEC.COM CODE: 55322

RECOMMENDED PASTE OVER HOLE PAD LAYOUT



DETAIL 'A'
SCALE 5:1

RECOMMENDED PASTE OVER HOLE STENCIL LAYOUT



RECOMMENDED STENCIL THICKNESS: .0060 [0.152]