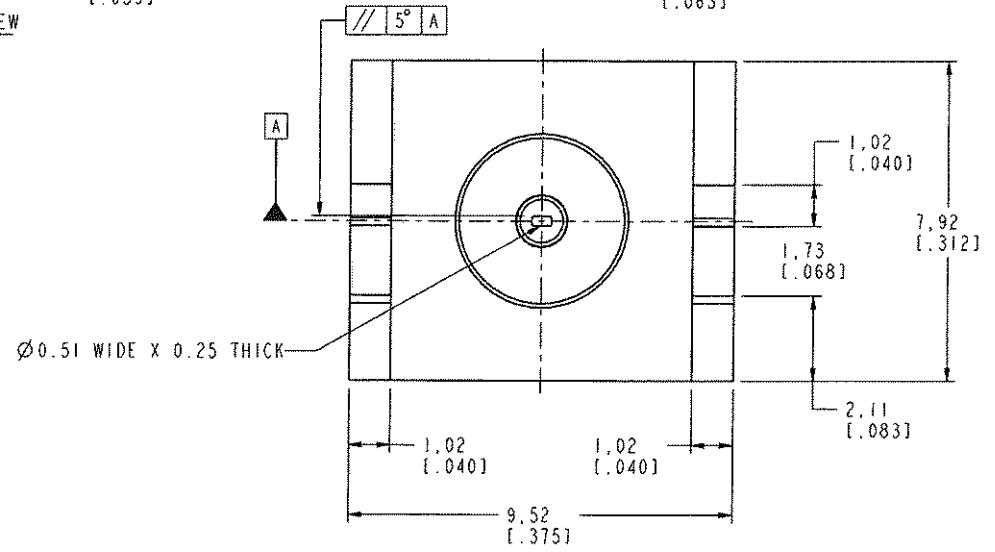
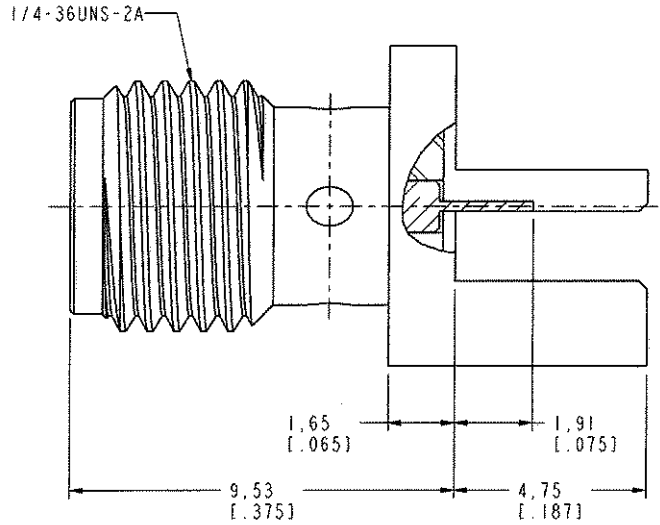
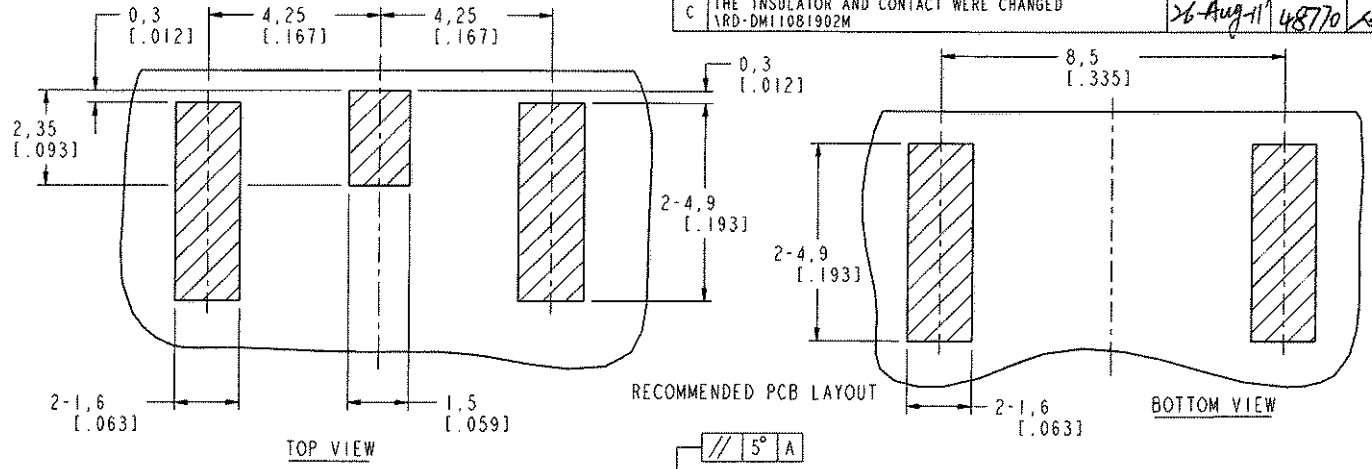
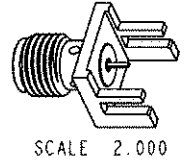


NOTES:

- MATERIALS AND FINISHES:
 BODY - BRASS, GOLD PLATING
 CONTACT PIN - BERYLLIUM COPPER, GOLD PLATING
 INSULATOR - PTFE, NATURAL
- ELECTRICAL:
 A. IMPEDANCE: 50 OHM
 B. FREQUENCY RANGE: DC 0-18 GHZ
 C. VSWR: 1.3 MAX.
 D. DIELECTRIC WITHSTANDING VOLTAGE: 1000 VRMS, MIN.
- MECHANICAL:
 A. DURABILITY: 100 CYCLES MIN.
 B. TEMPERATURE RANGE: -65° C TO +165° C
- BOARD THICKNESS=1.57 MM (.062")

THIRD ANGLE PROJ.

REV		DESCRIPTION	DATE	ECO	APPR
B	ADD PART NO.:	901-103091RD-DM10030801T	11-Mar-10	48231	SH
C	THE INSULATOR AND CONTACT WERE CHANGED	1RD-DM11081902M	26-Aug-11	48770	WZ



CUSTOMER OUTLINE DRAWING
 ALL OTHER SHEETS ARE FOR INTERNAL USE ONLY

UNLESS OTHERWISE SPECIFIED, DIMENSIONS ARE IN METRIC AND TOLERANCES ARE:
 <0.5mm ±0.05mm 0.5 - 6mm ±0.1mm 6 - 30mm ±0.2mm 30 - 120mm ±0.3mm ANGLES ±1°

NOTICE - These drawings, specifications, or other data (1) are, and remain the property of Amphenol corp. (2) must be returned upon request; and (3) are confidential and not to be disclosed to any person other than those to whom they are given by Amphenol Corp. the furnishing of these drawings, specifications, or other data by Amphenol Corp., or to any other person to anyone for any purpose is not to be regarded by implication or otherwise in any manner licensing, granting rights to permitting such holder or any other person to manufacture, use or sell any product, process or design, patented or otherwise, that may in any way be related to or disclosed by said drawings, specifications, or other data.

MATERIAL	DRAWN M. ZHANG	DATE 26-Aug-11	TITLE SMA END LAUNCH RECEPT JACK, RIB FLANGE (FOR .062" THICK PCB)	Amphenol RF Danbury CT USA, Tainan, Taiwan, Shenzhen, China www.amphenolrf.com
REFERENCE	ENGINEER C. WANG	DATE 11-Mar-10	SCALE: 8.0:1.0 SHEET 2 OF 2	DRAWING NO. SMA6251A1-054-3GT50G-50
FINISH	APPROVED S. HSIEH	DATE 26-Aug-11	DWG SIZE B	ITEM NO. 116251AAJ026A5F
	CAD FILE 1:\SMA\SMA6251A1-054-3GT50G-50		REV C	PART NO. 901-10309