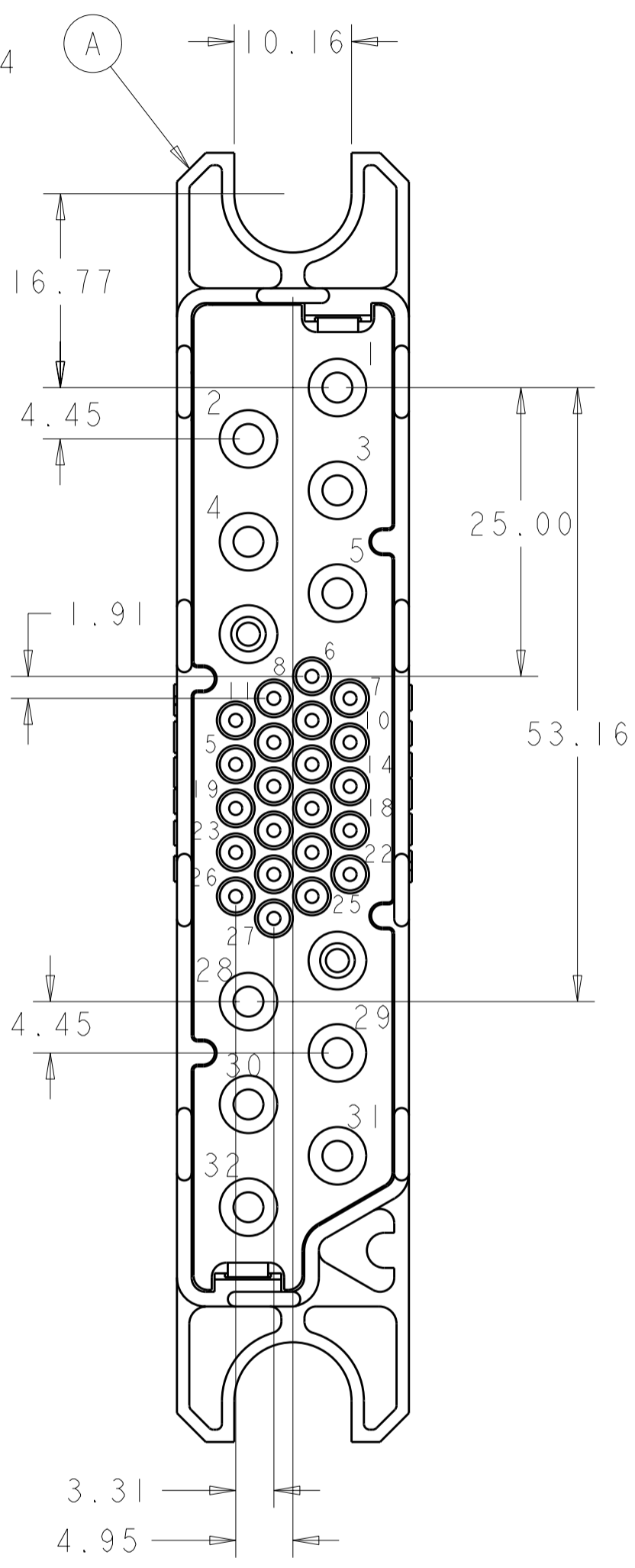
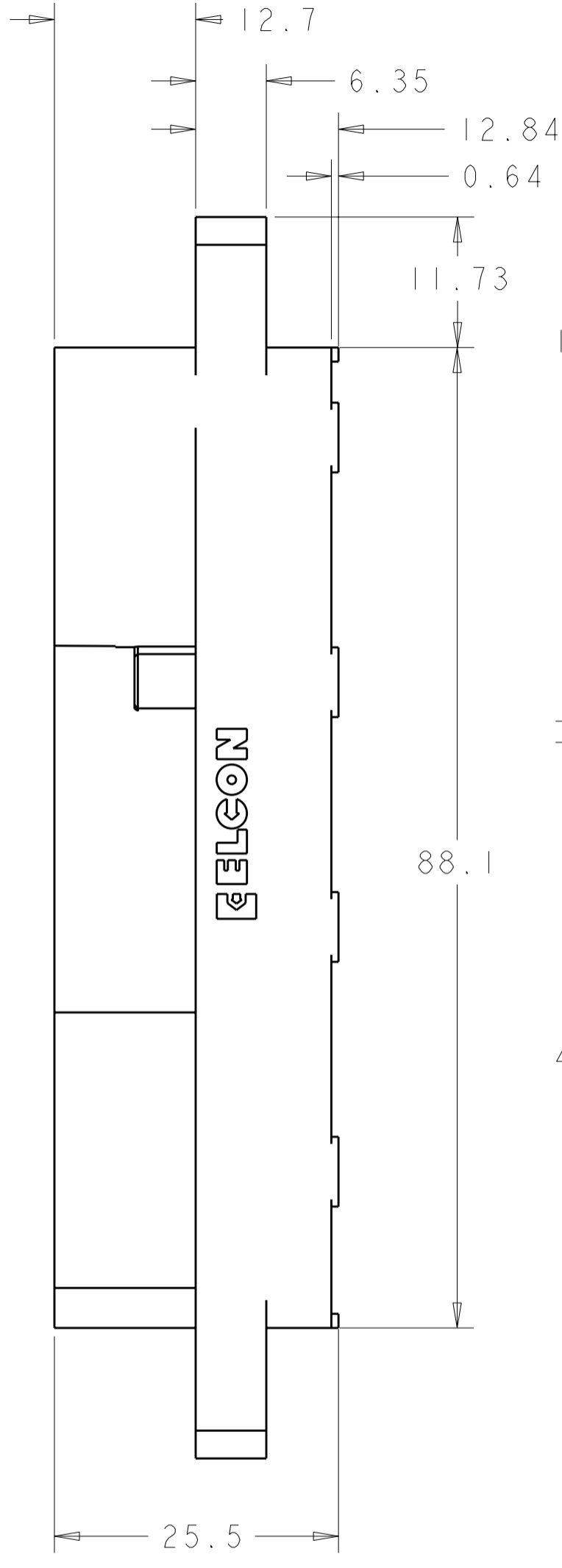
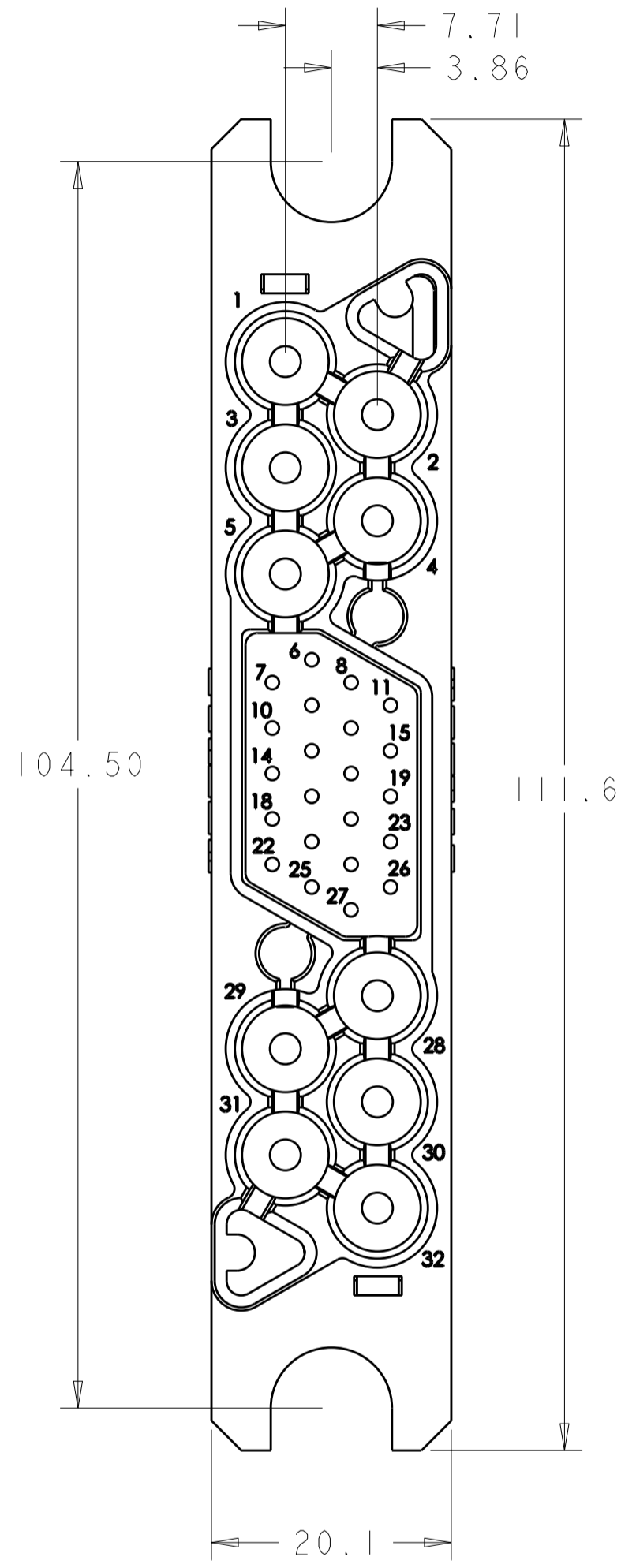
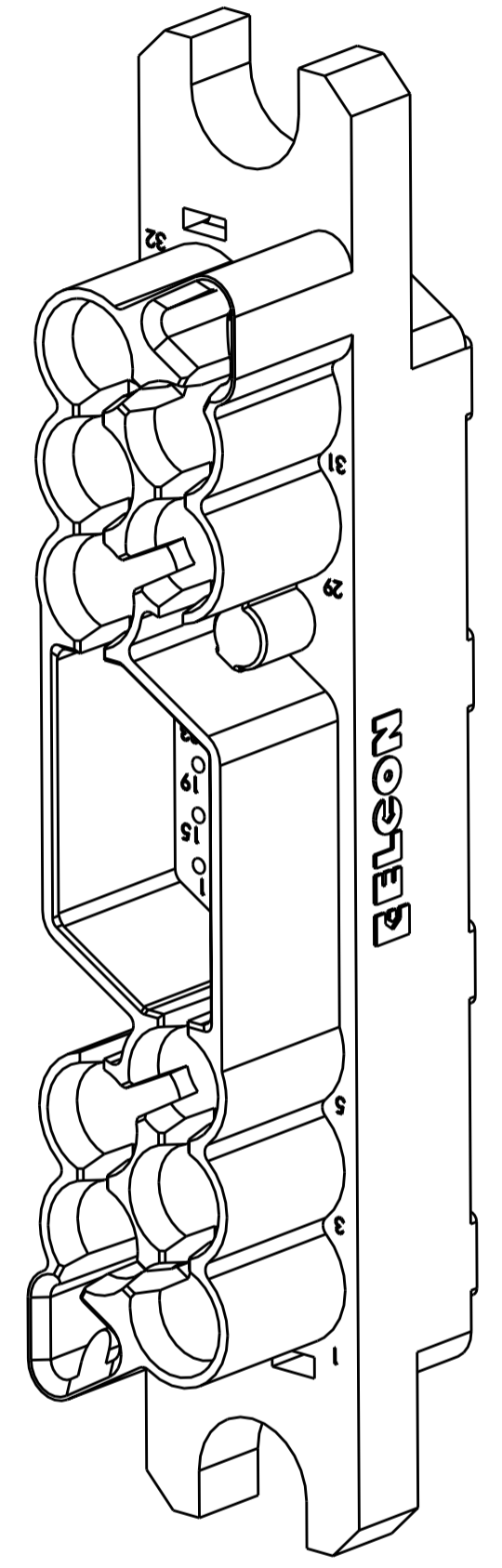


THIS DRAWING IS UNPUBLISHED. RELEASED FOR PUBLICATION 20
 © COPYRIGHT 20 BY TYCO ELECTRONICS CORPORATION. ALL RIGHTS RESERVED.

LOC	DIST	REVISIONS					
GP	00	P	LTR	DESCRIPTION	DATE	DWN	APVD
		A		INITIAL RELEASE	11OCT2006	GIP	DO
		B		REVISED PER ECO-07-004109	21FEB2007	GIP	DO



PIN CONTACT (B) OR (D)
 PIN CONTACT (C)
 PIN CONTACT (B) OR (D)



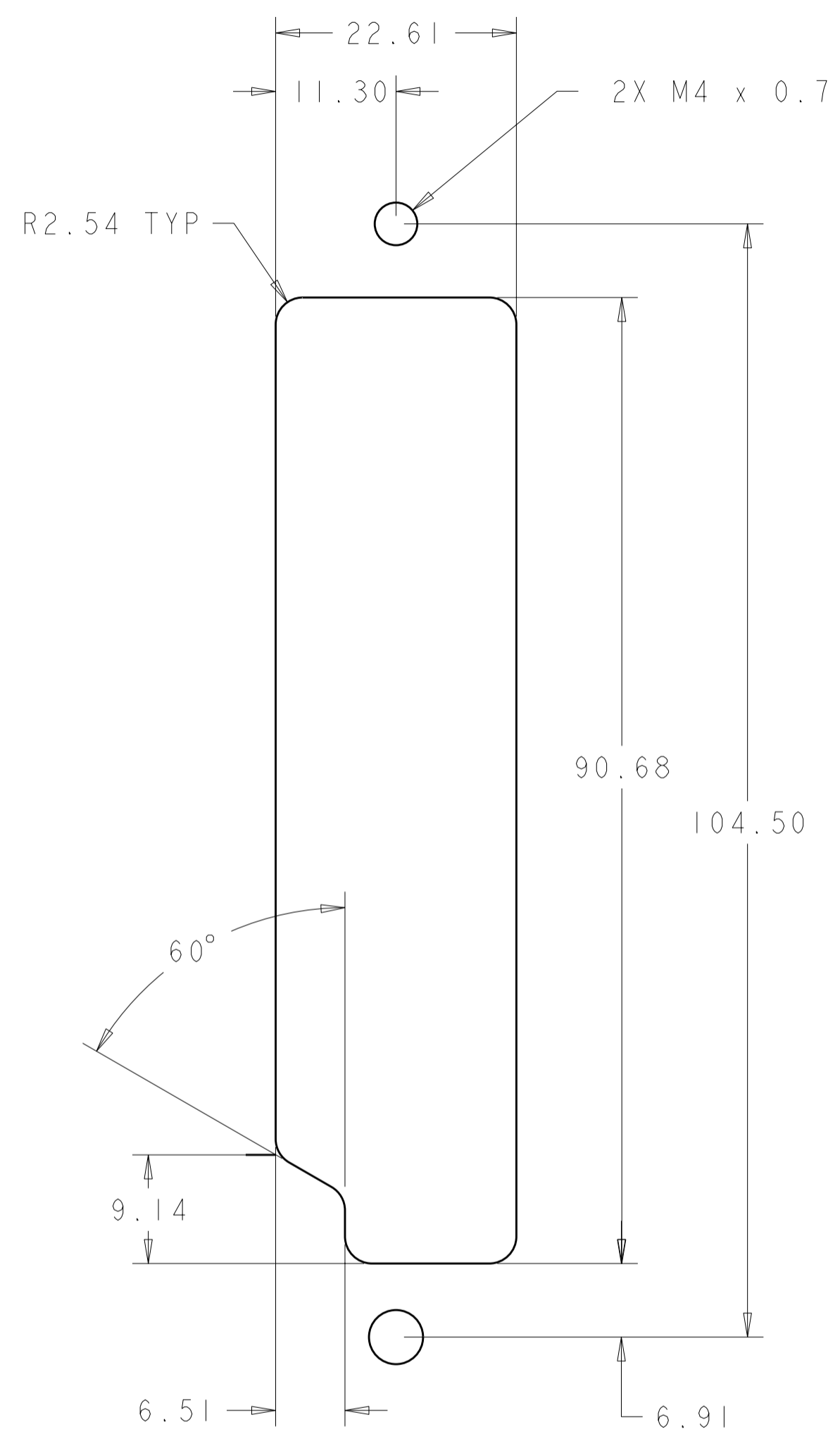
ELCON P10S22

1926213-1
 PART NUMBER

<small>THIS DRAWING IS A CONTROLLED DOCUMENT FOR TYCO ELECTRONICS CORPORATION. IT IS SUBJECT TO CHANGE AND THE CONTROLLING ENGINEERING ORGANIZATION SHOULD BE CONTACTED FOR THE LATEST REVISION.</small>		DWN G. PETERS 11OCT2006 CHK D. ORRIS 11OCT2006 APVD S. FLICKINGER 11OCT2006	tyco Tyco Electronics Harrisburg, PA 17105-3608
DIMENSIONS: mm	TOLERANCES UNLESS OTHERWISE SPECIFIED: 0 PLC ± 1 PLC ±0.5 2 PLC ±.02 3 PLC ±.010 4 PLC ±0.0001 ANGLES ±.5 FINISH	PRODUCT SPEC APPLICATION SPEC WEIGHT	NAME PIN CONNECTOR, CUSTOM, 10X #12, 13X #20 CONTACTS
MATERIAL		CUSTOMER DRAWING	SIZE A2 CAGE CODE 00779 DRAWING NO. C-1926213 RESTRICTED TO
AMP 1471-9 REV 31MAR2000		SCALE 1:1	SHEET 1 OF 2 REV B

THIS DRAWING IS UNPUBLISHED. RELEASED FOR PUBLICATION 20
 © COPYRIGHT 20 BY TYCO ELECTRONICS CORPORATION. ALL RIGHTS RESERVED.

LOC	DIST	REVISIONS					
GP	00	P	LTR	DESCRIPTION	DATE	DWN	APVD
		-		SEE SHEET 1			



SUGGESTED PANEL CUTOUT FOR FLOATING CONNECTOR

△ ITEMS PROVIDED TO THIS SPECIFICATION TO BE PERMANENTLY IDENTIFIED PER THE FOLLOWING IDENTIFIER LABEL:

YEAR WEEK
 TYCO PART NUMBER DATE CODE (.e.g. 0106)
 XXXXXXXX-X XXXX

- △ CRIMP CONTACTS (ITEMS B,C & D) SHALL BE PACKAGED SEPARATELY AND PLACED IN THE BOX WITH THE CONNECTOR ASSEMBLY.
- 3. PART NUMBER CHANGES AND OR DESIGN CHANGES AFFECTING ITEM INTERCHANGEABILITY REQUIRE PRIOR TYCO APPROVAL AND AUTHORIZATION BY REVISION TO THIS DRAWING.
- 4. MATERIAL:
 INSULATORS - THERMOPLASTIC, GLASS REINFORCED, COLOR: BLACK
 UL94V-0 FLAMMABILITY RATED.
 PIN CONTACTS - COPPER ALLOY
 RETENTION CLIPS - COPPER ALLOY
- 5. FINISH:
 CONTACTS - SILVER PLATE .000200/.000300 THK OVER NICKEL
 .000040 INCH MIN THK.

1	1766280-1	CONTACT PIN #12, PREMATE CRIMP #10 POSN 32	D
13	1650155-1	CONTACT PINN #20, STD CRIMP #20 POSN 6-8,10,11,14,15,18, 23-27	C
9	1766282-1	CONTACT PIN #12, STD CRIMP #10 POSN 1-5 & 28-31	B
1	1648211-2	PIN CONNECTOR ASSEMBLY	A
-1	PART NUMBER	DESCRIPTION	ITEM NO.

THIS DRAWING IS A CONTROLLED DOCUMENT FOR TYCO ELECTRONICS CORPORATION. IT IS SUBJECT TO CHANGE AND THE CONTROLLING ENGINEERING ORGANIZATION SHOULD BE CONTACTED FOR THE LATEST REVISION.		DWN G. PETERS 11OCT2006 CHK D. ORRIS 11OCT2006 APVD S. FLICKINGER 11OCT2006	tyco Tyco Electronics Harrisburg, PA 17105-3608
DIMENSIONS: mm 	TOLERANCES UNLESS OTHERWISE SPECIFIED: 0 PLC ± 1 PLC ±0.5 2 PLC ±.02 3 PLC ±.010 4 PLC ±0.0001 ANGLES ±.5 FINISH	PRODUCT SPEC APPLICATION SPEC WEIGHT	NAME PIN CONNECTOR, CUSTOM, 10X #12, 13X #20 CONTACTS SIZE CAGE CODE DRAWING NO RESTRICTED TO A200779C-1926213
MATERIAL		CUSTOMER DRAWING	SCALE 1:1 SHEET 2 OF 2 REV B