

THIS DRAWING IS UNPUBLISHED.

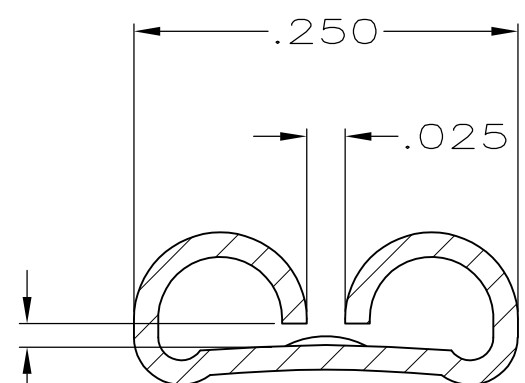
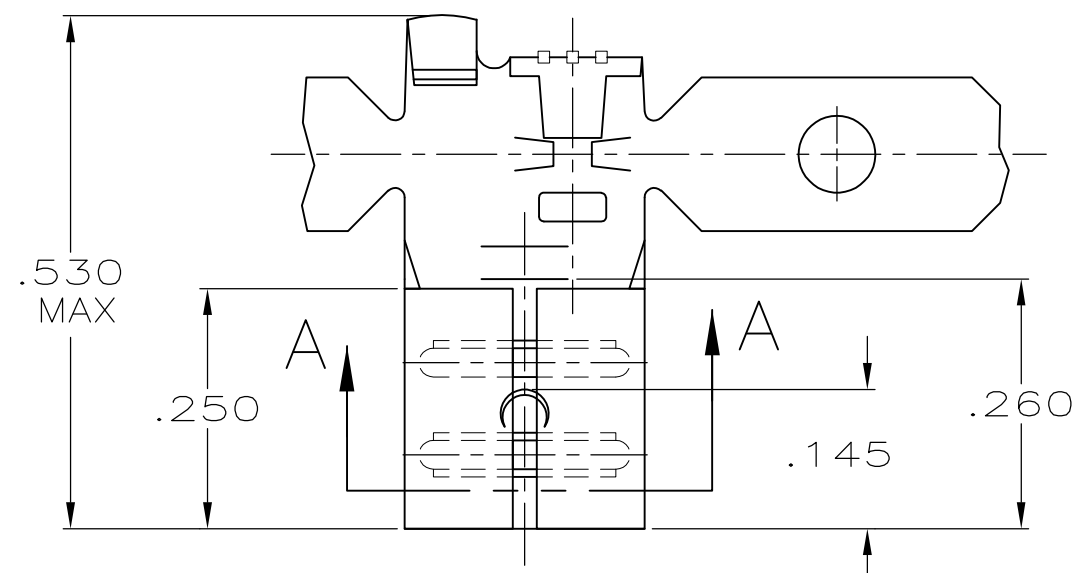
RELEASED FOR PUBLICATION

© COPYRIGHT - By -

ALL RIGHTS RESERVED.

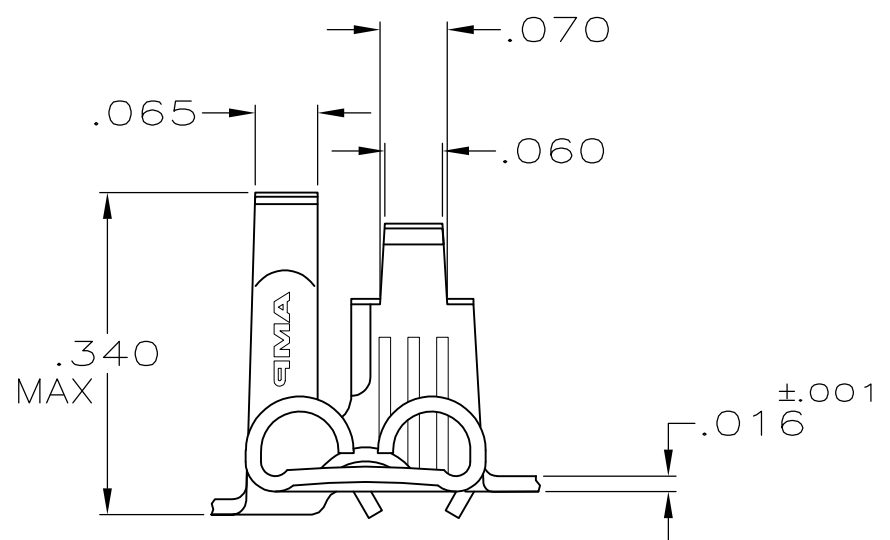
LOC	DIST	REVISIONS					
AF	50	P	LTR	DESCRIPTION	DATE	DWN	APVD
			E	REVISED PER ECR-12-013459	27NOV2012	KH	PD

- 1 CONTINUOUS STRIP ON REELS
- 2 FEED IS .650±.005



FITS .205 SERIES
FASTON TAB

SECTION A-A
SCALE 8:1



.110-.170	20-14	.020	62354-1
INSULATION RANGE	WIRE SIZE	MATING TAB THK±.001	PART NO.
THIS DRAWING IS A CONTROLLED DOCUMENT.		DWN JR RUTH 1/26/90	TE Connectivity RECEPTACLE, FASTON, FLAG, .205 SERIES
DIMENSIONS: INCHES		CHK MS FEHER 1/26/90	
TOLERANCES UNLESS OTHERWISE SPECIFIED: 0 PLC ± - 1 PLC ± - 2 PLC ± - 3 PLC ± .015 4 PLC ± - ANGLES ± -		APVD C MEYERS 1/26/90	
MATERIAL BRASS	FINISH TIN	PRODUCT SPEC -	NAME
		APPLICATION SPEC -	SIZE A3
		WEIGHT -	CAGE CODE 00779
		CUSTOMER DRAWING	DRAWING NO C-62354
		SCALE 5:1	RESTRICTED TO -
		SHEET 1 OF 1	REV E