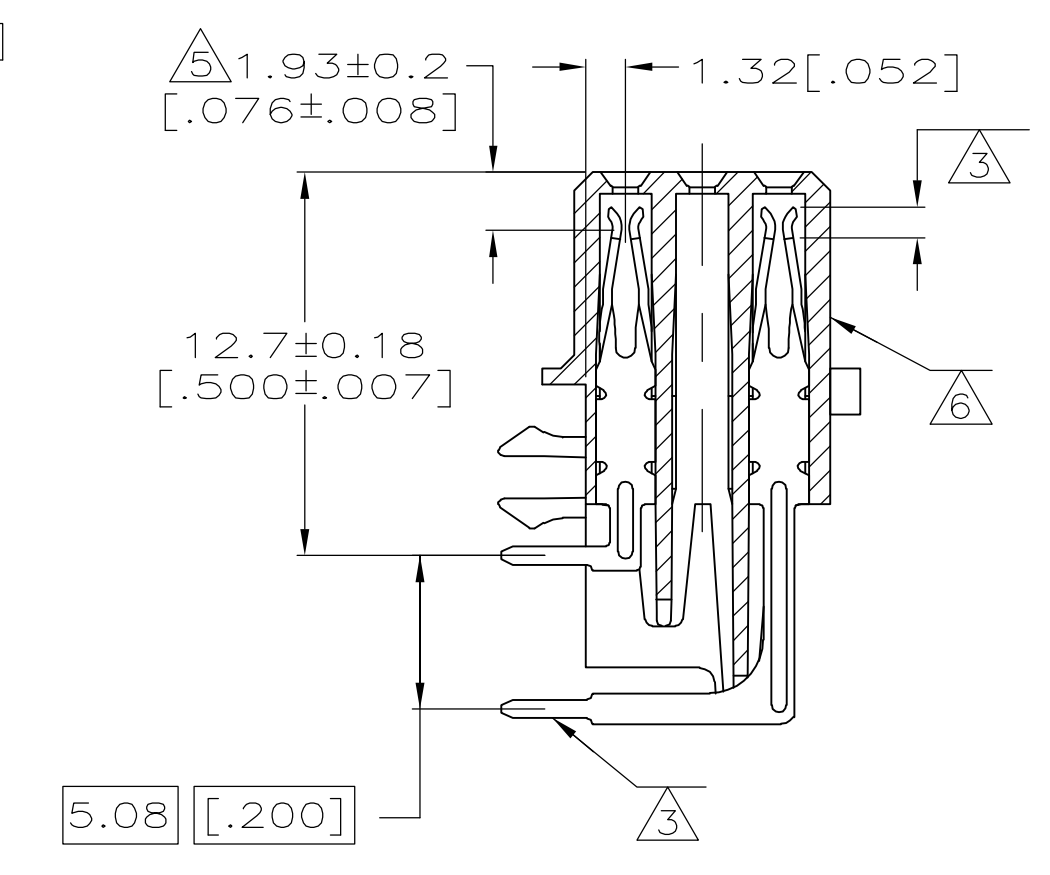
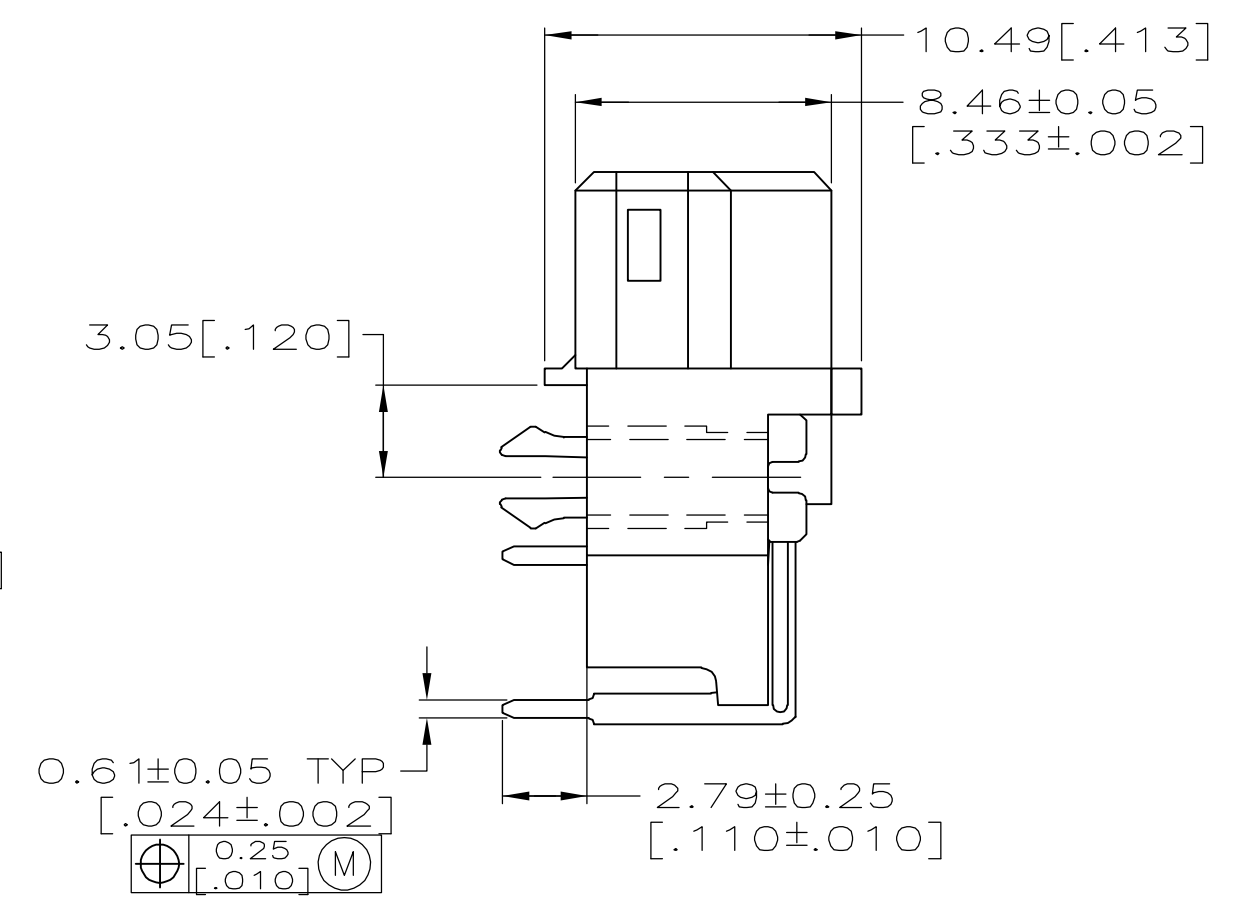
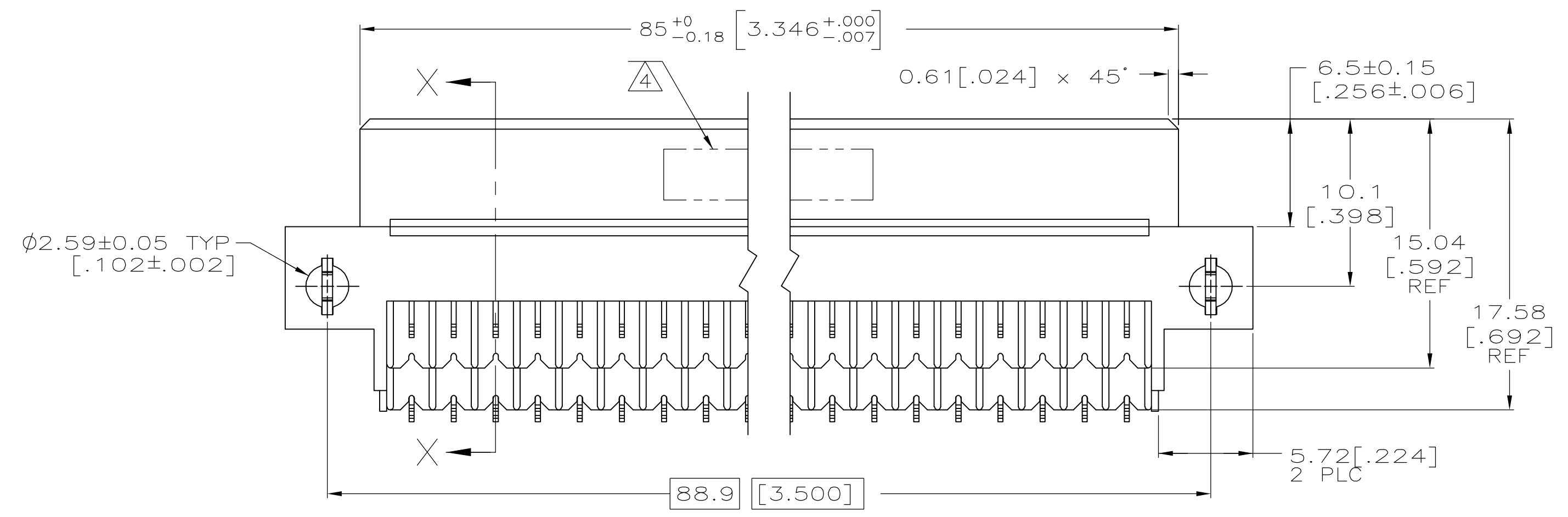
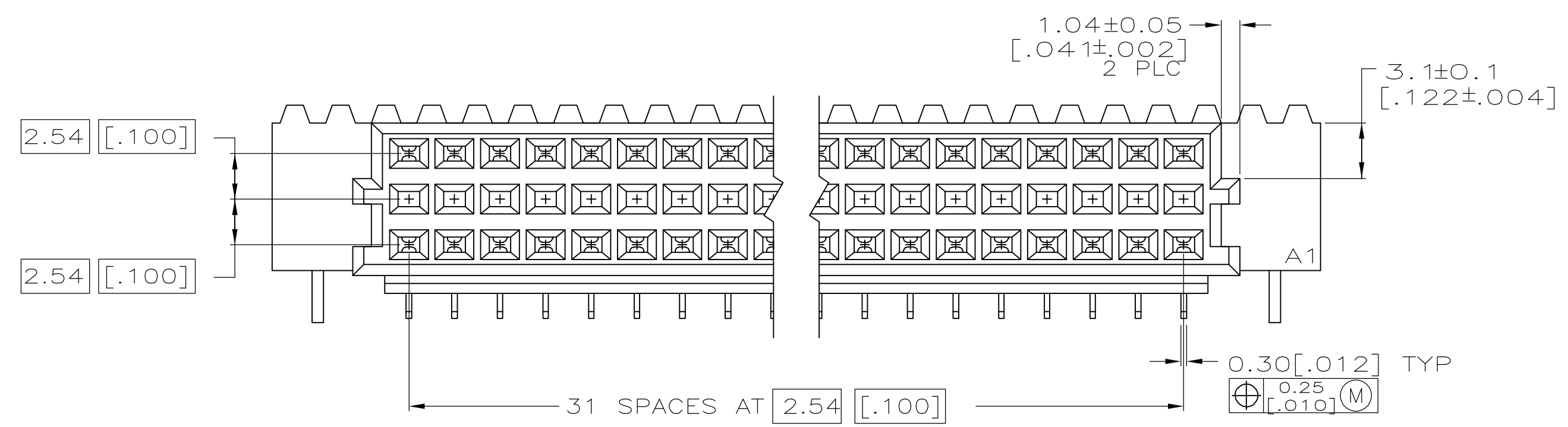
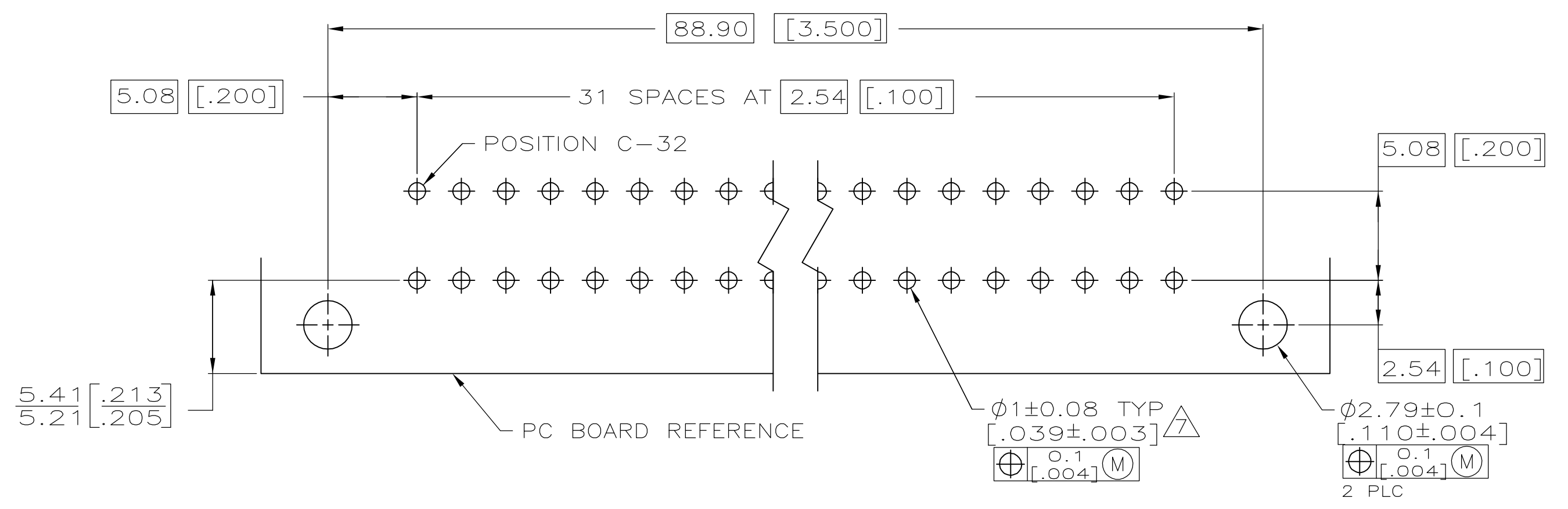
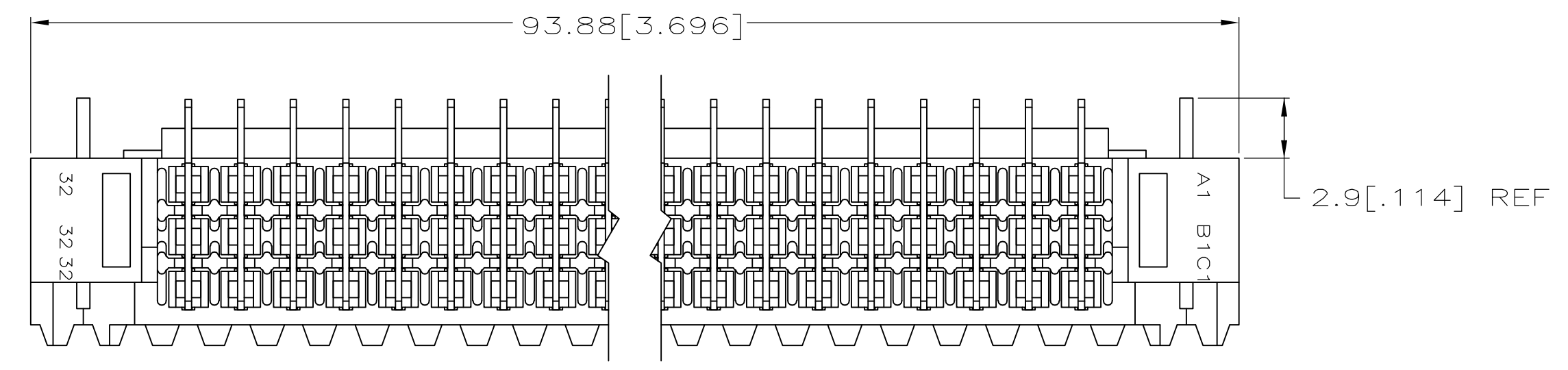


- △ HOUSING MATERIAL: GLASS-FILLED POLYMER.
- △ CONTACT MATERIAL: COPPER ALLOY.
- △ CONTACT FINISH: DIN 41612 CLASS 2 IN CONTACT AREA. TIN PLATE ON POSTS.
- △ PART NUMBER, DATE CODE IDENTIFICATION, CSA LOGO, THIS APPROXIMATE AREA.
- △ CONTACT POINT.
- △ MARKING ON THIS SIDE.
- △ RECOMMENDED HOLE SIZE FOR MANUAL APPLICATION OF CONNECTOR ONTO PC BOARD.



SECTION X-X



PC BOARD LAYOUT  
 RECOMMENDED PC BOARD THICKNESS 1.57 [.062]

1-32	X	-	X	64	5650897-5
1-32	X	-	X	64	5650897-4
POSITIONS LOADED	C	B	A	NO. OF LOADED POSITIONS	PART NUMBER

THIS DRAWING IS A CONTROLLED DOCUMENT.

DIMENSIONS: mm [INCHES]	TOLERANCES UNLESS OTHERWISE SPECIFIED:	DWN J. POLIGNONE 03JUN05	tyco Electronics	Tyco Electronics Corporation Harrisburg, Pa 17105-3608
0 PLC ± -	1 PLC ± -	CHK A. SHARPE 03JUN05	NAME	ASSEMBLY, RECEPTACLE, EUROCARD, TYPE R, LEAD-FREE, A and C, 64/96 POSITION, 2.79[.110] SOLDER POSTS, WITH BOARD LOCKS
2 PLC ± ±	3 PLC ± ±	APPD A. SHARPE 03JUN05	PRODUCT SPEC	
4 PLC ± ±	ANGLES ± ±	APPLICATION SPEC	SIZE	CAGE CODE DRAWING NO
FINISH			A1	00779 ©=5650897
			WEIGHT	RESTRICTED TO
				CUSTOMER DRAWING

SCALE 4:1 SHEET 1 OF 1 REV 0