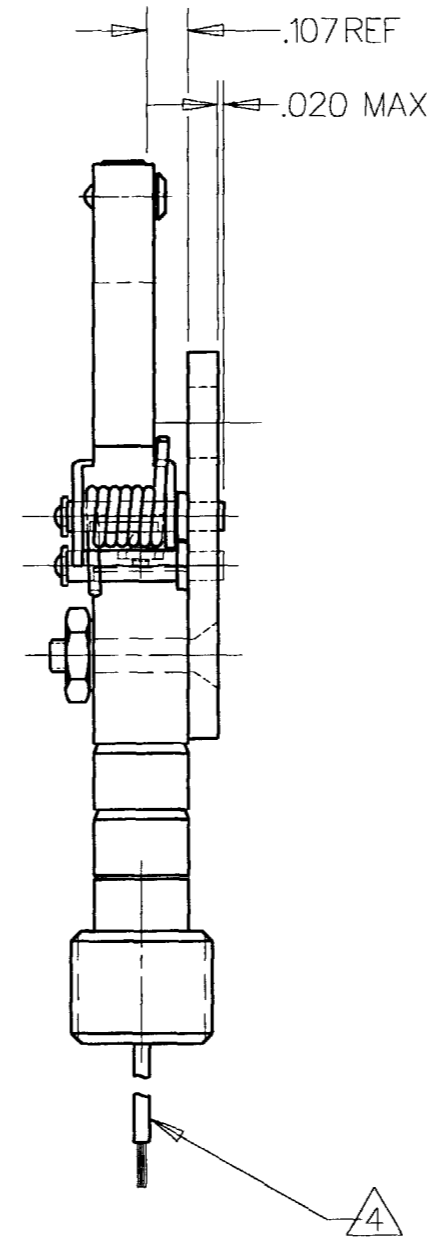
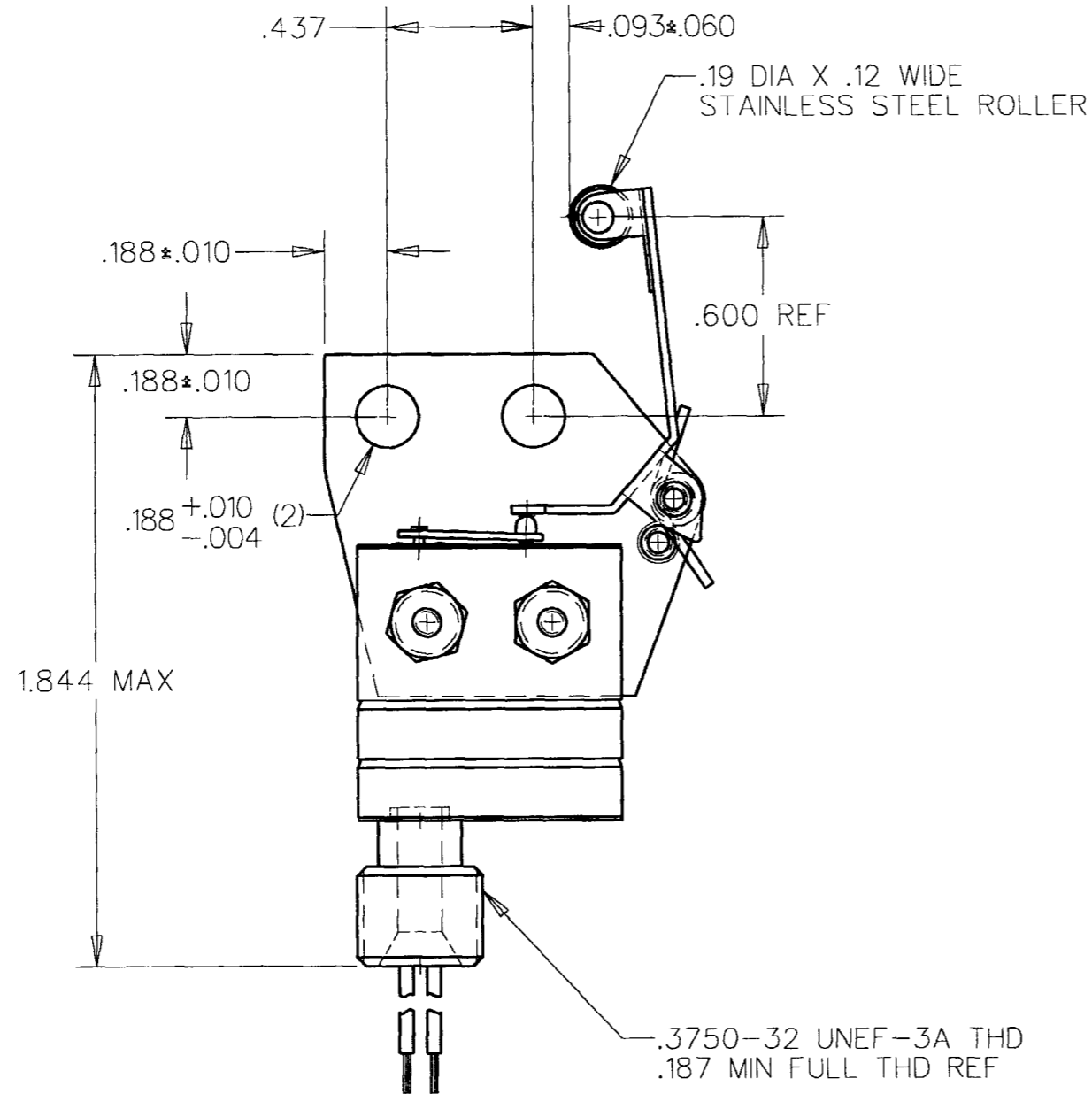
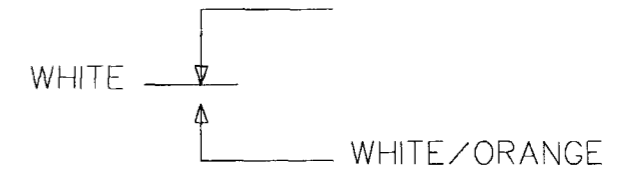


MICRO SWITCH
a Honeywell Division

SWITCH-BASIC

CATALOG LISTING
38HM10

FED. MFG. CODE 91929



CATALOG LISTING
38HM10
PAGE 1 OF 1

REPLACES
RELEASE NO. PR-13215

CHECK
5

ISSUE
5

REVISIONS

A	0069973	TSM	18 MAR 91
B	202458	CSL	27 FEB 01

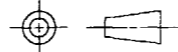
CHECK M.A.M. 25 MAR 91

CHECK M.A.M. 25 MAR 91

RASTER
DRAWN
T S M 18 MAR 91

THIS DRAWING COVERS A PROPRIETARY ITEM AND IS THE PROPERTY OF MICRO SWITCH, A DIVISION OF HONEYWELL. THIS DRAWING IS NOT TO BE COPIED OR USED WITHOUT THE APPROVAL OF MICRO SWITCH

THIRD ANGLE PROJECTION



SCALE 2:1

DO NOT SCALE PRINT

CHARACTERISTICS	
OPERATING FORCE	3 LBS MAX
RELEASE FORCE	6 OZ MIN
PRETRAVEL	.012 MIN
DIFFERENTIAL TRAVEL	.030 MAX
OVERTRAVEL	.050 MIN

ELECTRICAL DATA	
CONTACT ARRANGEMENT SPNO	
28 VOLTS DC RATING	
INDUCTIVE	SEA LEVEL --- 1/4 AMP 70,000 FT --- 1/4 AMP
RESISTIVE	SEA LEVEL --- 1 AMP 70,000 FT --- 1 AMP

UNLESS OTHERWISE SPECIFIED TOLERANCES ARE

ONE PLACE	(.0)	±.030
TWO PLACE	(.00)	±.015
THREE PLACE	(.000)	±.005
ANGLES		±

WEIGHT

NOTES

- 1 - UNIT INCLUDES 8HM102 BASIC SWITCH
 - 2 - SWITCH HERMETICALLY SEALED PER MIL-S-8805, SYMBOL 5
 - 3 - ALL EXPOSED PARTS ARE CORROSION RESISTANT MATERIALS OR SURFACE TREATED
- 4 LEADWIRE PER MIL-W-22759/10-20 AND 36 INCHES LONG REF