

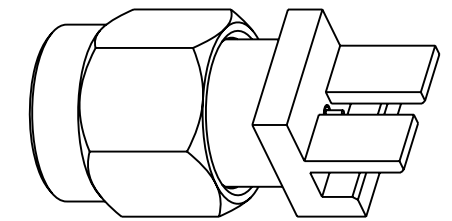
NOTES:

1. MATERIALS AND FINISHES:  
 BODY - BRASS, GOLD PLATING  
 CONTACT - BERYLLIUM COPPER, GOLD PLATING  
 INSULATOR - PTFE, NATURAL  
 GASKET - SILICON RUBBER, RED  
 RETAINING RING - SUS 304, NATURAL  
 SHELL - BRASS, GOLD PLATING
2. ELECTRICAL:  
 A. IMPEDANCE: 50 OHM  
 B. FREQUENCY RANGE: DC - 26.5 GHz  
 C. VSWR(RETURN LOSS): 1.05+.02F(GHz) MAX AT 0-18 GHz, 1.5 MAX AT 18-26.5 GHz.  
 D. WORKING VOLTAGE: 750 VRMS MIN. TYP.  
 E. DIELECTRIC WITHSTANDING VOLTAGE: 500 VRMS, MAX AT SEA LEVEL
3. MECHANICAL:  
 A. DURABILITY: 500 CYCLES MIN.
4. ENVIRONMENTAL  
 A. TEMPERATURE RANGE: -65° C TO 165° C

THIRD ANGLE PROJ.

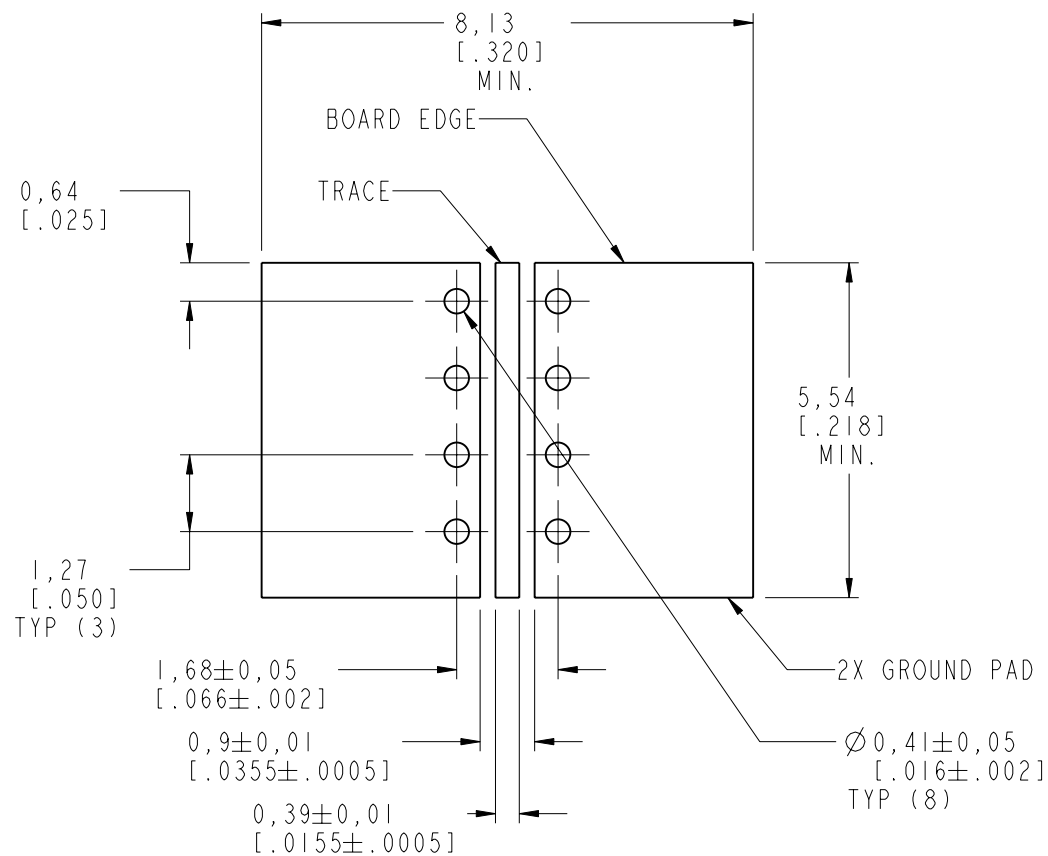
REVISIONS

REV	DESCRIPTION	DATE	ECN	APPR
A	RELEASE TO MFG.	02-Mar-18	07241	SV

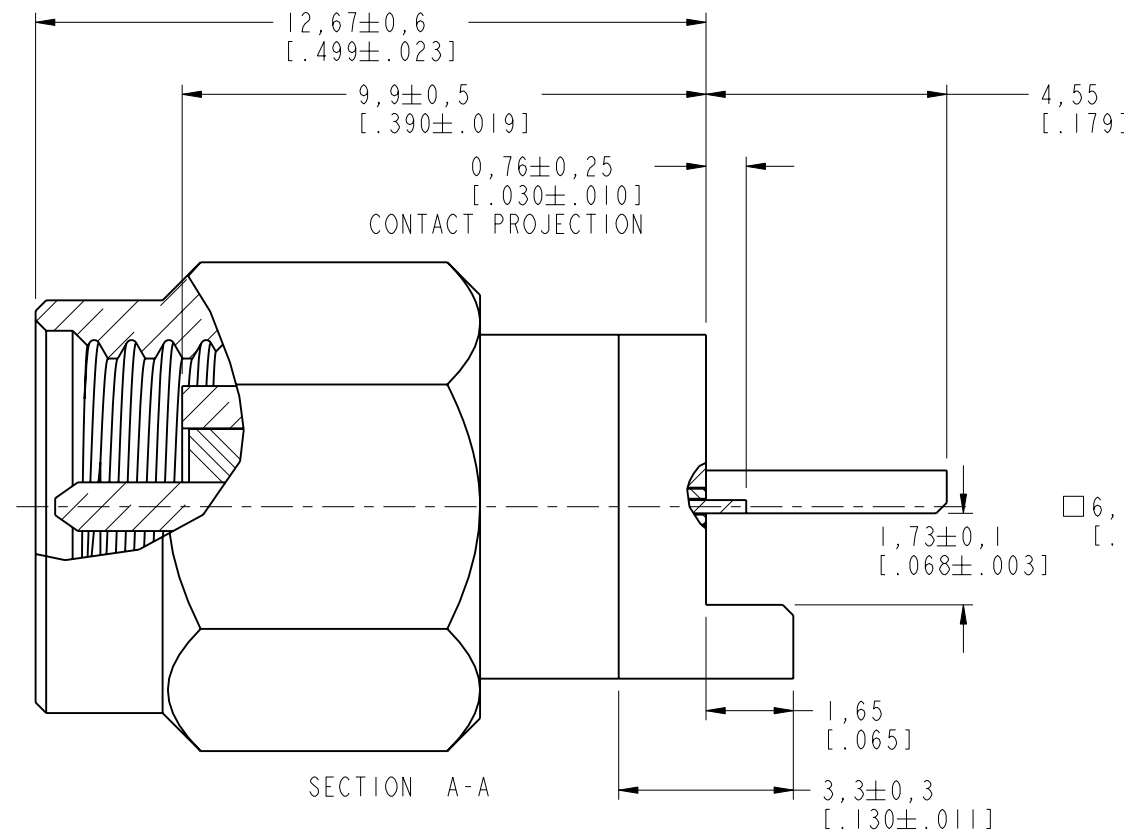


SCALE 3.000

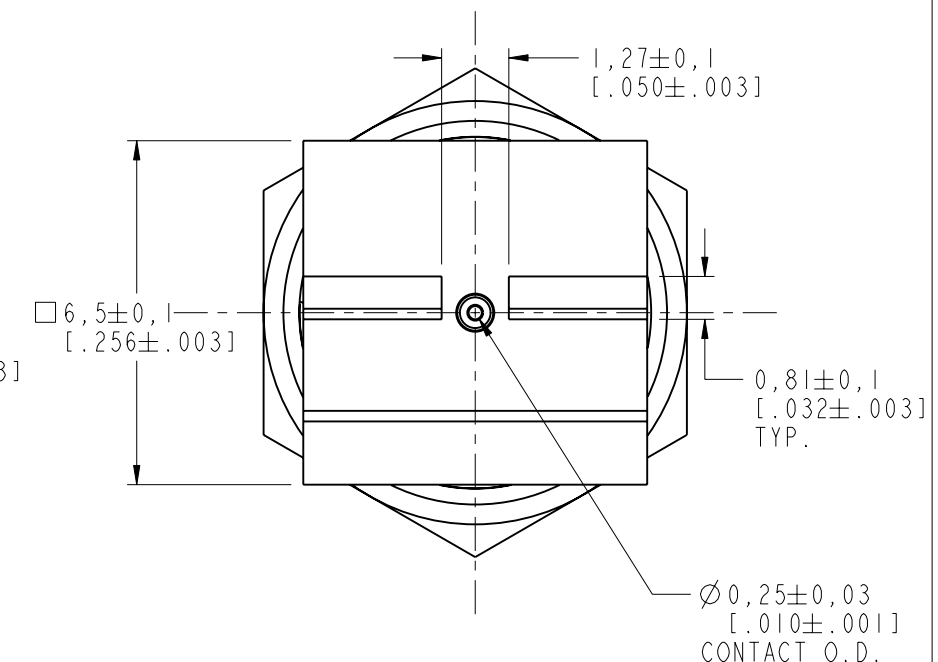
MOUNTING FOOTPRINT



SCALE 8.000



SECTION A-A



**CUSTOMER OUTLINE DRAWING**

ALL OTHER SHEETS ARE FOR INTERNAL USE ONLY

UNLESS OTHERWISE SPECIFIED, DIMENSIONS ARE IN METRIC AND TOLERANCES ARE:  
 <0.5mm ± 0.05mm    0.5 - 6mm ± 0.1mm    6 - 30mm ± 0.2mm    30 - 120mm ± 0.3mm    ANGLES ± 1°

NOTICE - These drawings, specifications, or other data (1) are, and remain the property of Amphenol corp. (2) must be returned upon request; and (3) are confidential and not to be disclosed to any person other than those to whom they are given by Amphenol Corp. the furnishing of these drawings, specifications, or other data by Amphenol Corp., or to any other person to anyone for any purpose is not to be regarded by implication or otherwise in any manner licensing, granting rights to permitting such holder or any other person to manufacture, use or sell any product, process or design, patented or otherwise, that may in any way be related to or disclosed by said drawings, specifications, or other data.

MATERIAL SEE NOTES	DRAWN K. SONG	DATE 16-Mar-18	TITLE SMA EDGE LAUNCH PLUG	Amphenol RF www.amphenolrf.com
REFERENCE EAR# 7836	ENGINEER M. HRIDEL	DATE 27-Jul-17	SCALE: 7.0:1.0 SHEET 2 OF 2	
REF: CONFIGURATION LEVEL: In Work	APPROVED HARRY	DATE 16-Mar-18	DWG SIZE B	DRAWING NO. 901-10588
FINISH			REV A	ITEM NO. 901-10588
				PART NO. 901-10588